

# Homelite®

## OPERATOR'S MANUAL

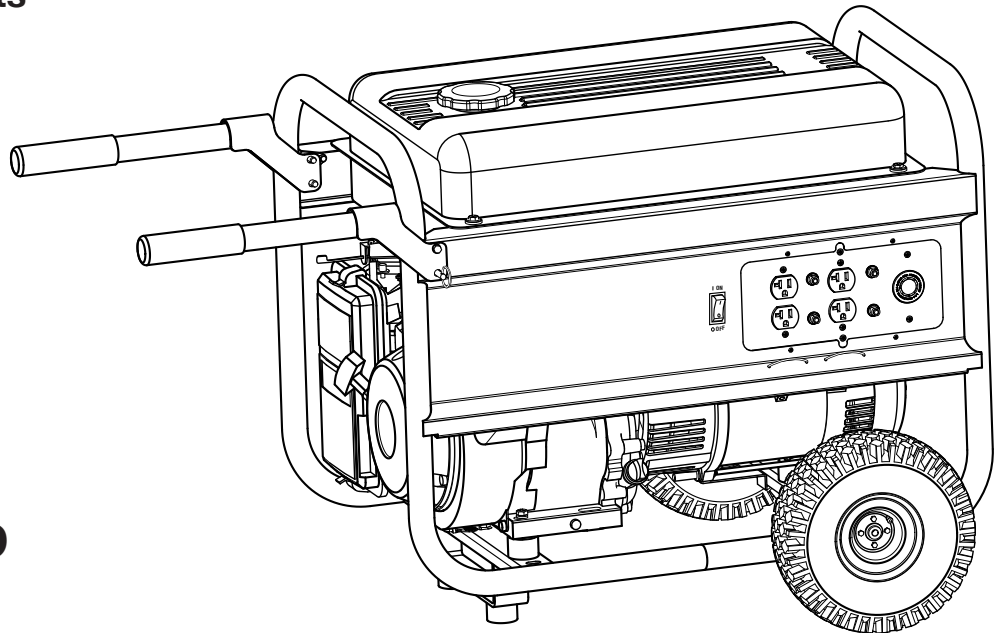
MANUEL D'UTILISATION  
MANUAL DEL OPERADOR

### 5700 WATT GENERATOR

Générateur de 5 700 watts  
Generador 5 700 watts

### UT905700 Series

Série UT905700  
Serie UT905700



To register your Homelite product,  
please visit:  
<http://register.homelite.com/>

Pour enregistrer votre produit de  
Homelite, s'il vous plaît la visite:  
<http://register.homelite.com/>

Para registrar su producto de  
Homelite, por favor visita:  
<http://register.homelite.com/>

### NEUTRAL BONDED

NEUTRE RELIÉ  
CONECTADO A TIERRA

Your generator has been engineered and manufactured to our high standard for dependability, ease of operation, and operator safety. When properly cared for, it will give you years of rugged, trouble-free performance.

**⚠ DANGER:** You WILL be KILLED or SERIOUSLY HURT if you do not follow the instructions in this operator's manual.

Thank you for your purchase.

### SAVE THIS MANUAL FOR FUTURE REFERENCE

Ce générateur a été conçu et fabriqué conformément à nos strictes normes de fiabilité, de simplicité d'emploi et de sécurité d'utilisation. Correctement entretenu, il vous donnera des années de fonctionnement robuste et sans problème.

**⚠ DANGER :** Le non-respect des instructions fournies dans ce manuel d'utilisation entraînera des BLESSURES GRAVES, voire MORTELLES.

Merci de votre achat.

Su nuevo generador ha sido diseñado y fabricado de conformidad con estrictas normas para brindar fiabilidad, facilidad de uso y seguridad para el operador. Con el debido cuidado, le brindará muchos años de sólido y eficiente funcionamiento.

**⚠ PELIGRO:** El incumplimiento de las instrucciones en este manual del operador puede CAUSARLE LA MUERTE O LESIONARLE GRAVEMENTE.

Le agradecemos su compra.

**CONSERVER CE MANUEL POUR  
FUTURE RÉFÉRENCE**

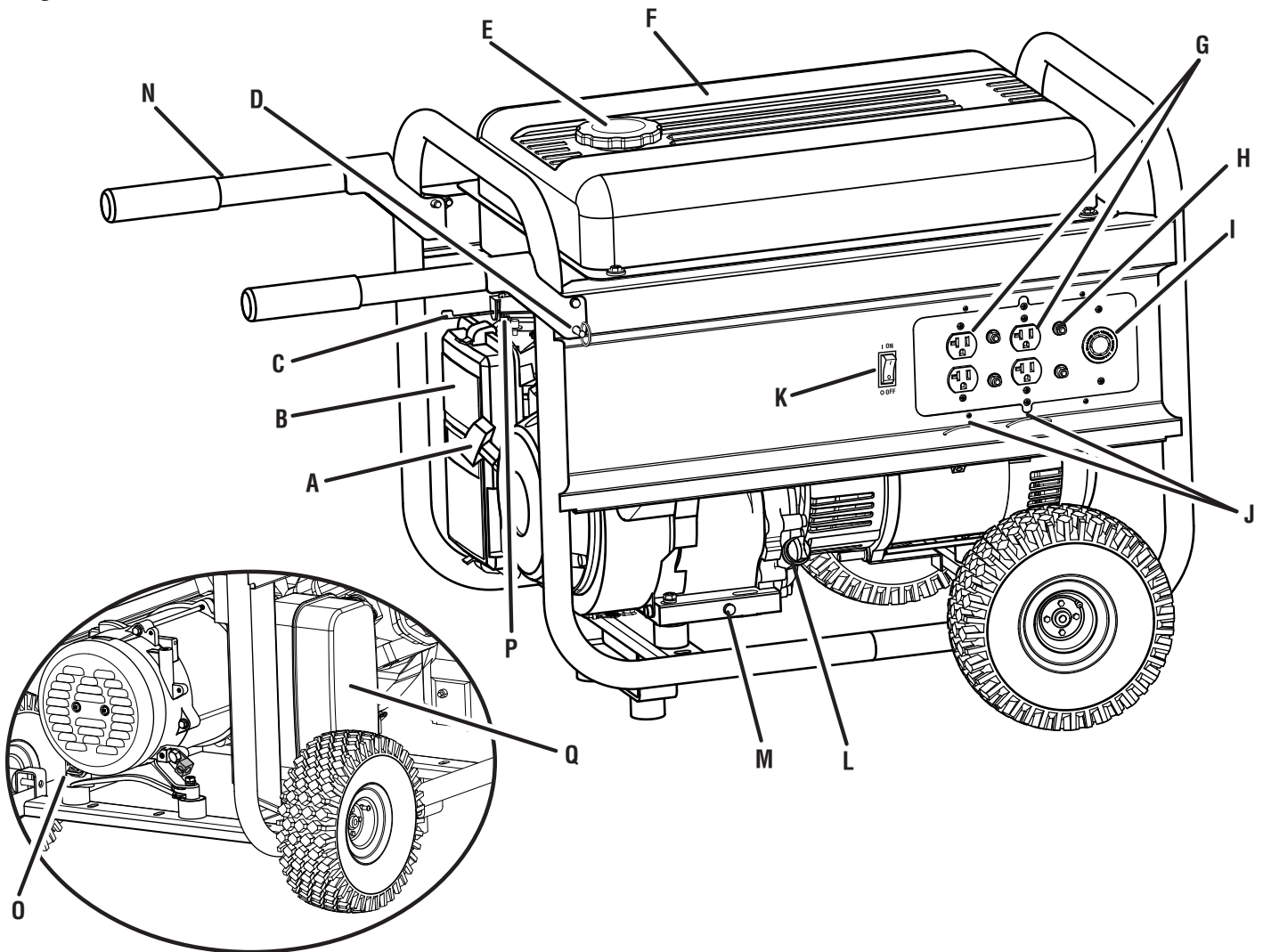
**GUARDE ESTE MANUAL PARA  
FUTURAS CONSULTAS**

See this fold-out section for all of the figures referenced in the operator's manual.

Consulter l'encart à volets afin d'examiner toutes les figures mentionnées dans le manuel d'utilisation.

Consulte esta sección desplegable para ver todas las figuras a las que se hace referencia en el manual del operador.

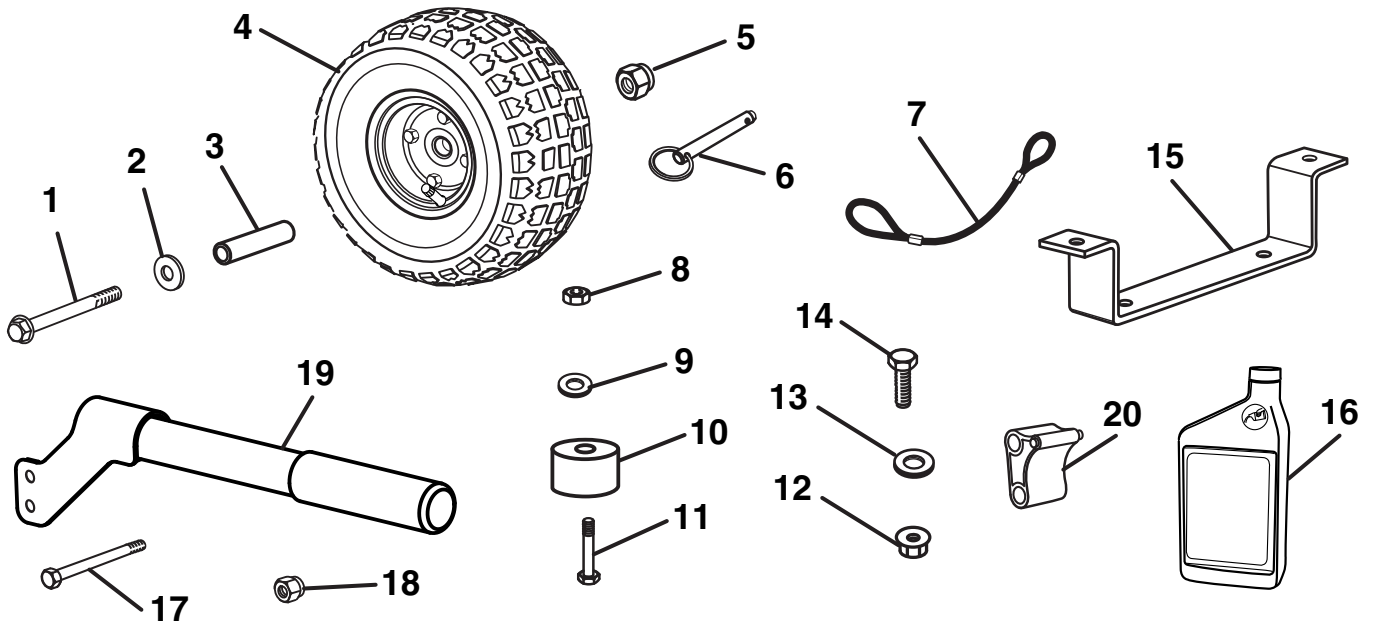
Fig. 1



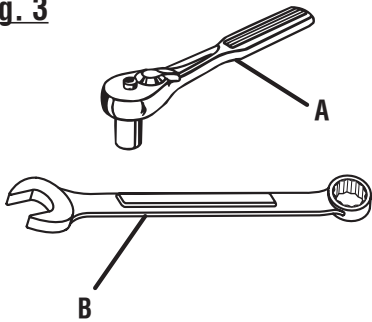
- A - Recoil starter grip (poignée du démarreur à rappel, mango del arrancador retráctil)
- B - Air filter (filtre à air, filtro de aire)
- C - Choke lever (levier d'étrangleur, palanca del anegador)
- D - Handle lock pin (goupille de blocage de la poignée, pasador de seguro del mango)
- E - Fuel cap (bouchon de carburant, tapa del tanque)
- F - Fuel tank (réservoir de carburant, tanque de combustible)
- G - 120V AC 20 amp receptacles (prises 120 V C.A. 20 A, 120 V de CA 20 A receptáculos)
- H - AC circuit breaker (disjoncteur de C.A., disyuntor de circuito de CA)

- I - 240V AC 30 amp receptacle (prise 240V C.A. 30 A, 240V de CA 30 A receptáculo)
- J - Cord retainers (retenues de cordon, retén para el cordón)
- K - Engine switch (commutateur du moteur, interruptor del motor)
- L - Oil cap/dipstick (bouchon/jauge d'huile, tapa de relleno de aceite/varilla medidora de aceite)
- M - Oil drain plug (huiler le bouchon d'égout, tapón de drenaje del aceite)
- N - Handle (poignée, mango)
- O - Ground terminal (borne de terre, terminal de conexión a tierra)
- P - Fuel valve (robinet de carburant, válvula de combustible)
- Q - Muffler (silencieux, silenciador)

**Fig. 2**

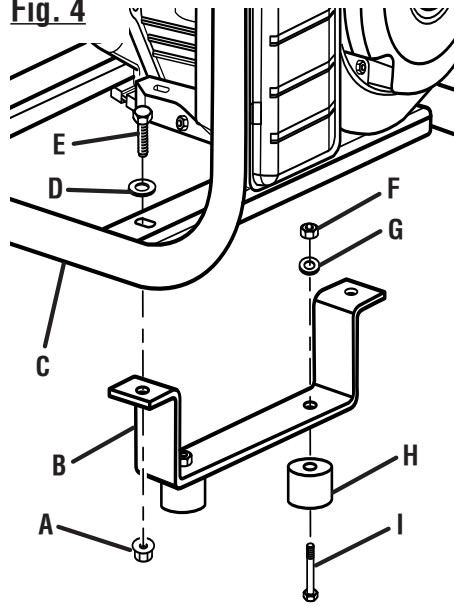


**Fig. 3**



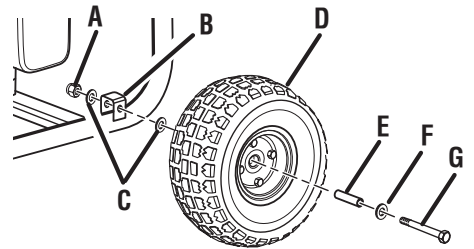
- A - Socket wrench (7/16 in., 1/2 in. and 9/16 in.) [clé à douille (7/16 po, 1/2 po, et 9/16 po), llave de casquillo (7/16 pulg., 1/2 pulg., y 9/16 pulg.)]  
 B - Combination wrench (7/16 in., 1/2 in. and 9/16 in.) [clé mixte (7/16 po, 1/2 po, et 9/16 po), llave combinación (7/16 pulg., 1/2 pulg., y 9/16 pulg.)]

**Fig. 4**



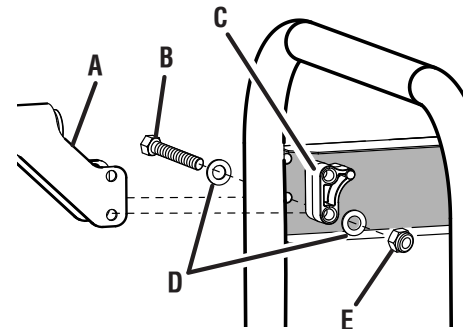
- A - Flange nut (écrou à épaulement, tuerca de brida)  
 B - Frame support with foot (support de cadre avec pied, soporte del armazón con pie)  
 C - Frame (cadre, armazón)  
 D - Washer (rondelle, arandela)  
 E - Bolt (boulon, perno)  
 F - Nut (écrou, tuerca)  
 G - Washer (rondelle, arandela)  
 H - Rubber foot (patin en caoutchouc, pie de goma)  
 I - Bolt (boulon, perno)

**Fig. 5**



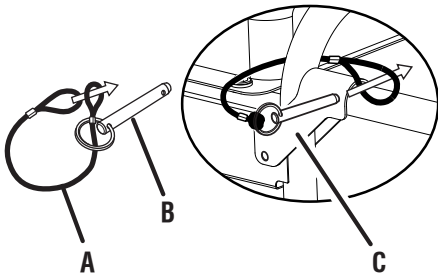
- A - Lock nut (écrou frein, tuerca de bloqueo)  
 B - U-bracket (support en U, soporte en "U")  
 C - Washer (rondelle, arandela)  
 D - Wheel (roue, rueda)  
 E - Wheel spacer (écarteur de roue, espaciador de rueda)  
 F - Washer (rondelle, arandela)  
 G - Bolt (boulon, perno)

**Fig. 6**



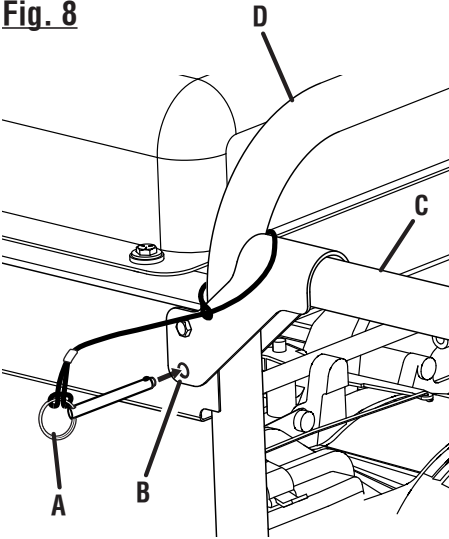
- A - Handle (poignée, mango)  
 B - Bolt (boulon, perno)  
 C - Spacer (separador, espaciador)  
 D - Washer (rondelle, arandela)  
 E - Lock nut (écrou frein, tuerca de bloqueo)

**Fig. 7**



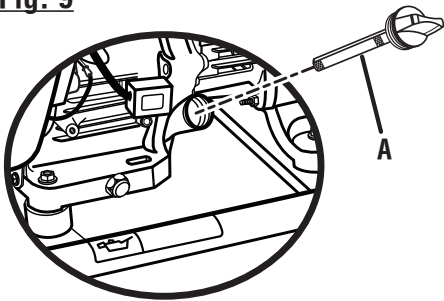
- A - Lanyard (bracelet, correa)
- B - Handle lock pin (goupille de blocage de la poignée, pasador de seguro del mango)
- C - Frame (cadre, amrazón)

**Fig. 8**



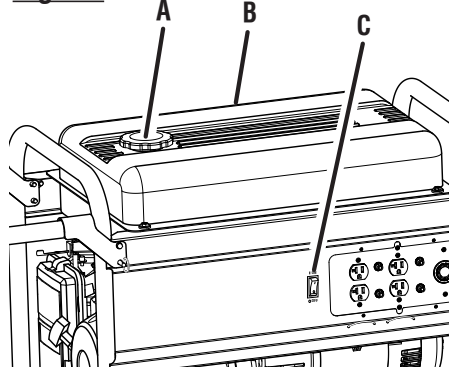
- A - Handle lock pin (goupille de blocage de la poignée, pasador de seguro del mango)
- B - Hole (trou, agujero)
- C - Handle (poignée, mango)
- D - Frame (cadre, armazón)

**Fig. 9**



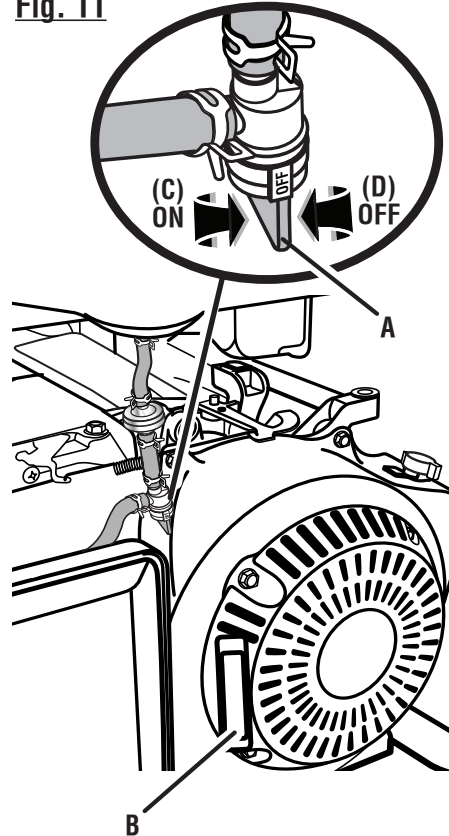
- A - Oil cap/dipstick (bouchon/ jauge d'huile, tapa de relleno de aceite/varilla medidora de aceite)

**Fig. 10**



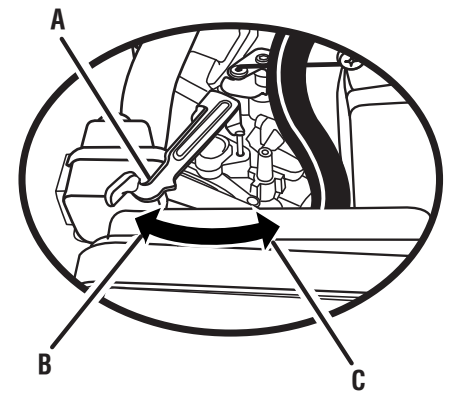
- A - Fuel cap (bouchon de carburant, tapa del tanque de combustible)
- B - Fuel tank (réservoir de carburant, tanque de combustible)
- C - Engine switch (interrupteur du moteur, interruptor del motor)

**Fig. 11**



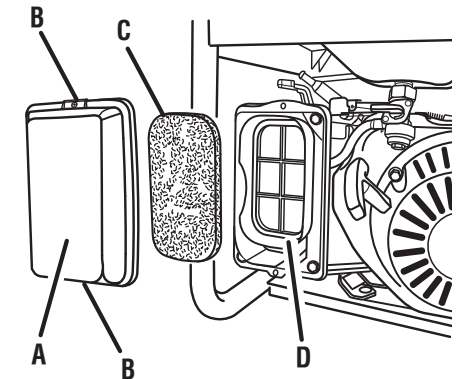
- A - Fuel valve (robinet de carburant, válvula de combustible)
- B - Recoil starter grip (poignée de démarreur à rappel, mango del arrancador retráctil)
- C - On (marche, encendido)
- D - Off (arrêt, apagado)

**Fig. 12**



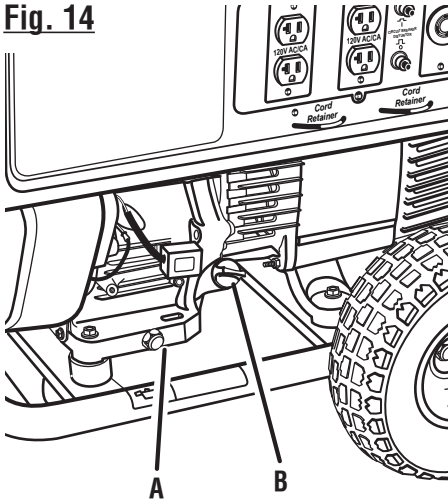
- A - Choke lever (lever d'entranglement, palanca del anegador)
- B - Run (marche, funcionamiento)
- C - Start (démarrer, arranque)

**Fig. 13**



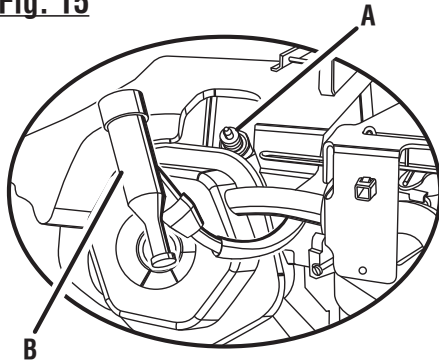
- A - Air filter cover (couvercle du filtre à air, tapa del filtro de aire)
- B - Screws (vis, tornillos)
- C - Filter element (élément du filtre, elemento de filtro)
- D - Air filter unit (unité de filtre à air, unidad del filtro de aire)

**Fig. 14**



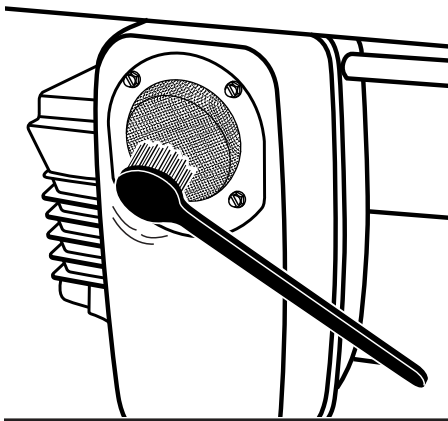
- A - Oil drain plug (huiler le bouchon d'égout, tapón de drenaje del aceite)
- B - Oil cap/dipstick (bouchon/ jauge d'huile, tapa de relleno de aceite/varilla medidora de aceite)

**Fig. 15**

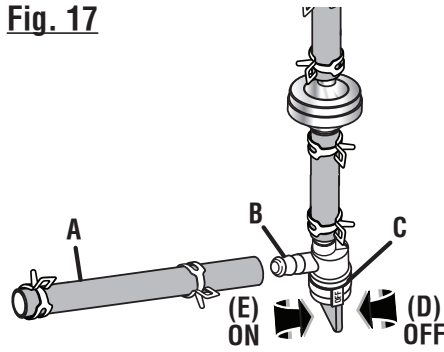


- A - Spark plug (bougie, bujía)
- B - Spark plug cap (capuchon de bougie, tapa de la bujía)

**Fig. 16**

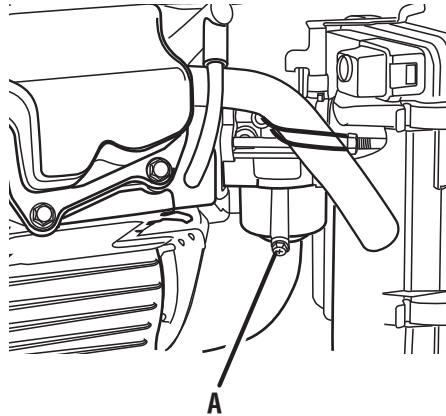


**Fig. 17**



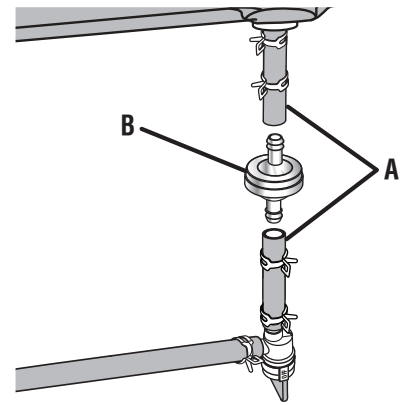
- A - Fuel line (conduite de carburant, conducto de combustible)
- B - Petcock (robinet de carburant, llave de purga)
- C - Fuel valve (robinet de carburant, válvula de combustible)
- D - Off (arrêt, apagado)
- E - On (marche, encendido)

**Fig. 18**



- A - Carburetor drain screw (vis de vidange du carburateur, tornillo de drenaje del carburador)

**Fig. 19**



- A - Fuel line (conduites de carburant, conducto de combustible)
- B - Fuel filter (Filtre à carburant, filtro de combustible)

# TABLE OF CONTENTS

■ Introduction.....	2
■ Important Safety Instructions .....	3-4
■ Specific Safety Rules.....	4
■ Symbols.....	5-7
■ Electrical .....	8-9
■ Features .....	10
■ Assembly .....	11-12
■ Operation.....	13-14
■ Maintenance .....	15-17
■ Troubleshooting .....	18
■ Warranty.....	19-20
■ Parts Ordering / Service.....	Back Page

## INTRODUCTION

This product has many features for making its use more pleasant and enjoyable. Safety, performance, and dependability have been given top priority in the design of this product, making it easy to maintain and operate.

### **DANGER:**

#### **GROUNDING THE GENERATOR**

To reduce the risk of shock or electrocution, generator must be properly grounded. The nut and ground terminal on the frame must always be used to connect the generator to a suitable ground source. The ground path should be made with #8 size wire. Connect the terminal of the ground wire between the lock washer and the nut, and tighten the nut fully. Connect the other end of the wire securely to a suitable ground source.

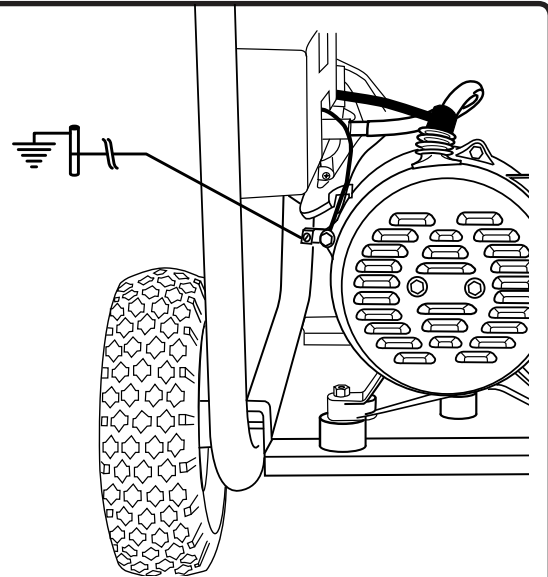
The National Electric Code contains several practical ways in which to establish a good ground source. If a steel or iron rod is used, it should be at least 5/8 in. diameter, and if a nonferrous rod is used, it should be at least 1/2 in. diameter and be listed as material for grounding. Drive the rod or pipe to a depth of 8 ft. If a rock bottom is encountered less than 4 ft. down, bury the rod or pipe in a trench.

All electrical tools and appliances operated from this generator must be properly grounded by use of a third wire or be “Double Insulated.”

It is recommended to:

1. Use electrical devices with 3-prong grounded plugs.
2. Use an extension cord with a 3-pole receptacle and a 3-prong plug at opposite ends to ensure continuity of the ground protection from the generator to the appliance.

Check and adhere to all applicable federal, state, and local regulations relating to grounding specifications. Consult a qualified electrician or service personnel if the grounding instructions are not completely understood or if in doubt as to whether the generator is properly grounded.



# IMPORTANT SAFETY INSTRUCTIONS

## **DANGER:**

**Carbon Monoxide.** Using a generator indoors WILL KILL YOU IN MINUTES.

Generator exhaust contains high levels of carbon monoxide (CO), a poisonous gas you cannot see or smell. If you can smell the generator exhaust, you are breathing CO. But even if you cannot smell the exhaust, you could be breathing CO.

- Never use a generator inside homes, garages, crawl-spaces, or other partly enclosed areas. Deadly levels of carbon monoxide can build up in these areas. Using a fan or opening windows and doors does NOT supply enough fresh air.
- ONLY use a generator outdoors and far away from open windows, doors, and vents. These openings can pull in generator exhaust.

Even when you use a generator correctly, CO may leak into the home. ALWAYS use a battery-powered or battery-backup CO alarm in the home.

If you start to feel sick, dizzy, or weak after the generator has been running, move to fresh air RIGHT AWAY. See a doctor. You could have carbon monoxide poisoning.

## **WARNING:**

**Read and understand all instructions.** Failure to follow all instructions listed below may result in electrocution, fire, and/or carbon monoxide poisoning, which will cause death or serious injury.

## **WARNING:**

National Electric Code requires generator to be grounded to an approved earth ground. Before using the ground terminal, consult a qualified electrician, electrical inspector, or local agency having jurisdiction for local codes or ordinances that apply to the intended use of the generator.

## SAVE THESE INSTRUCTIONS

This manual contains important instructions for this product that should be followed during installation and maintenance of the generator and batteries.

- Do not connect to a building's electrical system unless the generator and transfer switch have been properly installed and the electrical output has been verified by a qualified electrician. The connection must isolate the generator power from utility power and must comply with all applicable laws and electrical codes.
- Do not allow children or untrained individuals to use this unit.

- Never start or run the engine inside a closed or partially enclosed area. Breathing exhaust fumes will kill you.
- Keep all bystanders, children, and pets at least 10 feet away.
- Wear sturdy and dry shoes or boots. Do not operate while barefoot.
- Do not operate generator when you are tired or under the influence of drugs, alcohol, or medication.
- Keep all parts of your body away from any moving parts and all hot surfaces of the unit.
- Do not touch bare wire or receptacles.
- Do not use generator with electrical cords which are worn, frayed, bare, or otherwise damaged.
- Before storing, allow the engine to cool and drain fuel from the unit.
- Do not operate or store the generator in rain, snow, or wet weather.
- Store the generator in a well-ventilated area with the fuel tank empty. Fuel should not be stored near the generator.
- Empty fuel tank, close fuel valve, and restrain the unit from moving before transporting in a vehicle.
- Allow engine to cool for five minutes before refueling.
- To reduce the risk of fire and burn injury, handle fuel with care. It is highly flammable.
- Do not smoke while handling fuel.
- Store fuel in a container approved for gasoline.
- Position the unit on level ground, stop engine, and allow to cool before refueling.
- Loosen fuel cap slowly to release pressure and to keep fuel from escaping around the cap.
- Tighten the fuel cap securely after refueling.
- Wipe spilled fuel from the unit.
- Never attempt to burn off spilled fuel under any circumstances.
- Generators vibrate in normal use. During and after the use of the generator, inspect the generator as well as extension cords and power supply cords connected to it for damage resulting from vibration. Have damaged items repaired or replaced as necessary. Do not use plugs or cords that show signs of damage such as broken or cracked insulation or damaged blades.
- For power outages, permanently installed stationary generators are better suited for providing back-up power to the home. Even a properly connected portable generator can become overloaded. This may result in overheating or stressing the generator components, possibly leading to generator failure.

# IMPORTANT SAFETY INSTRUCTIONS

- Use only authorized replacement parts and accessories and follow instructions in the *Maintenance* section of this manual. Use of unauthorized parts or failure to follow maintenance instructions may create a risk of shock or injury.
- Maintain the unit per maintenance instructions in this Operator's Manual.
- Inspect the unit before each use for loose fasteners, fuel leaks, etc. Replace damaged parts.

## SPECIFIC SAFETY RULES



### WARNING:




**When this generator is used to supply a building wiring system:** generator must be installed by a qualified electrician and connected to a transfer switch as a separately derived system in accordance with NFPA 70, National Electrical Code. The generator shall be connected through a transfer switch that switches all conductors other than the equipment grounding conductor. The frame of the generator shall be connected to an approved grounding electrode. Failure to isolate the generator from power utility can result in death or injury to electric utility workers.

- Do not use this generator to provide power for emergency medical equipment or life support devices.
- Exhaust contains poisonous carbon monoxide, a colorless, odorless gas. Breathing exhaust can cause loss of consciousness and can lead to death. If running in a confined or partially-enclosed area, the air may contain a dangerous amount of carbon monoxide. To keep exhaust fumes from building up, always provide adequate ventilation.
- Always use a battery-powered carbon monoxide detector when running the generator. If you begin to feel sick, dizzy, or weak while using the generator, shut it off and get to fresh air immediately. See a doctor. You may have carbon monoxide poisoning.
- Place the generator on a flat, stable surface.
- Operate in a well-ventilated, well-lit area isolated from working areas to avoid noise interference.
- Operating the generator in wet conditions could result in electrocution. Keep the unit dry.
- Keep the generator a minimum of 3 feet away from all types of combustible material.
- Do not operate generator near hazardous material.
- Do not operate generator at a gas or natural gas filling station.
- Do not touch the muffler or cylinder during or immediately after use; they are HOT and will cause burn injury.
- This generator has a neutral bonded condition. This means the system ground is connected electrically to the AC neutral wire.
- Do not allow the generator's gas tank to overflow when filling. Fill to 1 in. below the top neck of the gasoline tank to allow for fuel expansion. Check the ventilation hole inside the fuel tank cap for debris. Do not block the vent.
- Do not smoke when filling the generator with gasoline.
- Shut down the engine and allow to cool completely before adding gasoline or lubricant to the generator.
- Do not remove the oil dipstick or the fuel tank cap when the engine is running.
- Pay close attention to all safety labels located on the generator.
- Keep children a minimum of 10 feet away from the generator at all times.
- The unit operates best in temperatures between 23°F and 104°F with a relative humidity of 90% or less.
- Specific modifications for high-altitude performance are needed if the generator will **always** be operated at altitudes above 5,000 feet. Contact your nearest authorized service center for more information and to have these modifications performed.
- Operating voltage and frequency requirement of all electronic equipment should be checked prior to plugging them into this generator. Damage may result if the equipment is not designed to operate within a +/- 10% voltage variation, and +/- 3 hz frequency variation from the generator name plate ratings. To avoid damage, always have an additional load plugged into the generator if solid state equipment (such as a television set) is used. A power line conditioner is recommended for some solid state applications.
- For outdoor use only.
- Save these instructions. Refer to them frequently and use them to instruct others who may use this product. If you loan someone this product, loan them these instructions also.













# SYMBOLS

The following signal words and meanings are intended to explain the levels of risk associated with this product.

SYMBOL	SIGNAL	MEANING
	<b>DANGER:</b>	Indicates an imminently hazardous situation, which, if not avoided, will result in death or serious injury.
	<b>WARNING:</b>	Indicates a potentially hazardous situation, which, if not avoided, could result in death or serious injury.
	<b>CAUTION:</b>	Indicates a potentially hazardous situation, which, if not avoided, may result in minor or moderate injury.
	<b>CAUTION:</b>	(Without Safety Alert Symbol) Indicates a situation that may result in property damage.

Some of the following symbols may be used on this product. Please study them and learn their meaning. Proper interpretation of these symbols will allow you to operate the product better and safer.

SYMBOL	NAME	DESIGNATION/EXPLANATION
	Safety Alert	Indicates a potential personal injury hazard.
	Read The Operator's Manual	To reduce the risk of injury, user must read and understand operator's manual before using this product.
	Wet Conditions Alert	Do not expose to rain or use in damp locations.
	Electric Shock	Failure to use in dry conditions and to observe safe practices can result in electric shock.
	Toxic Fumes	Running generator gives off carbon monoxide, an odorless, colorless, poison gas. Breathing carbon monoxide can cause nausea, fainting, or death.
	Fire/Explosion	Fuel and its vapors are extremely flammable and explosive. Fire or explosion can cause severe burns or death.
	Hot Surface	To reduce the risk of injury or damage, avoid contact with any hot surface.
	Lifting Hazard	To reduce the risk of serious injury, avoid attempting to lift the generator alone.
	Ground	Consult with local electrician to determine grounding requirements before operation.
	Electrocution	Failure to properly ground generator can result in electrocution, especially if the generator is equipped with a wheel kit.

# SYMBOLS





## SAFETY LABELS



The information below can be found on the generator. For your safety, please study and understand all of the labels before starting the generator.

If any of the labels come off the unit or become hard to read, contact an authorized service center for replacement.

- You **WILL** be **KILLED** or **SERIOUSLY HURT** if you do not follow the Operator's Manual instructions.
- Risk of Fire. Do not add fuel while the product is operating.
- Generator is a potential source of electric shock. Do not expose to moisture, rain, or snow. Do not operate with wet hands or feet.

- Exhaust contains poisonous carbon monoxide gas that can cause unconsciousness or **DEATH**. Operate in well-ventilated, outdoor areas away from open windows or doors.
- Failure to properly ground generator can result in electrocution, especially if the generator is equipped with a wheel kit.
- Do not expose to rain or use in damp locations.
- Using a generator indoors **CAN KILL YOU IN MINUTES**. Generator exhaust contains carbon monoxide. This is a poison you cannot see or smell.
- **NEVER** use inside a home or garage, **EVEN IF** doors and windows are open.
- Only use **OUTSIDE** and far away from windows, doors, and vents.

<b>⚠ DANGER ⚠ DANGER ⚠ PELIGRO</b>			
 <p>You <b>WILL</b> be <b>KILLED</b> or <b>SERIOUSLY HURT</b> if you do not follow the Operator's Manual instructions. Ne pas procéder de la manière décrite dans le Manuel d'utilisation en présence des BLESSURES GRAVES voire la MORT, SE MATARÁ o LESIONARÁ GRAVEMENTE si no sigue las instrucciones del Manual del operador.</p>	 <p>Risk of fire. Do not add fuel while the product is operating. Risque d'incendie. Ne pas ajouter de carburant pendant l'utilisation de l'appareil. Riesgo del incendio. No agregue combustible cuando el producto está funcionando.</p>	 <p>Generator is a potential source of electric shock. Do not expose to moisture, rain, or snow. Do not operate with wet hands or feet. Le générateur est une source potentielle de chocs électriques. Ne pas exposer à l'humidité, la pluie ou la neige. Ne pas utiliser avec les mains ou les pieds mouillés. El generador es una fuente de descarga eléctrica. No lo exponga a humedad, la lluvia, ni a la nieve. No opere con manos o pies húmedos.</p>	 <p>Exhaust contains poisonous carbon monoxide gas that can cause unconsciousness or <b>DEATH</b>. Operate in well-ventilated, outdoor areas away from open windows or doors. L'échappement contient le gaz monoxyde de carbone toxique qui peut causer l'inconscience ou la MORT. Fonctionner dans les secteurs bien ventilés et extérieurs loin d'ouvrir des fenêtres ou des portes. El escape contiene gas venenoso de monóxido de carbono que puede causar pérdida del conocimiento o <b>MUERTE</b>. Opere en áreas exteriores bien ventiladas lejos de puertas o ventanas abiertas.</p> <p>Failure to properly ground generator can result in electrocution, especially if the generator is equipped with a wheel kit. Une mauvaise mise à la terre du générateur peut causer une électrocution, surtout si le générateur est équipé d'un kit de roues. La omisión de conectar a tierra adecuadamente el generador puede resultar en electrocución, especialmente si el generador está equipado con un kit de ruedas.</p>
 <p>Do not expose to rain or use in damp locations. Ne pas exposer à la pluie ou l'humidité. No exponga a la lluvia ni use en lugares húmedos.</p>			


<b>⚠ DANGER</b>	<b>⚠ DANGER</b>
<p>Using a generator indoors <b>CAN KILL YOU IN MINUTES</b>. Generator exhaust contains carbon monoxide. This is a poison you cannot see or smell.</p>	<p>L'utilisation d'une génératrice à l'intérieur <b>PEUT VOUS TUER EN QUELQUES MINUTES</b>. Les génératrices produisent du monoxyde de carbone, un gaz mortel incolore et inodore. <b>NE JAMAIS</b> utiliser à l'intérieur d'une maison ou d'un garage, <b>MÊME SI</b> les portes et les fenêtres sont ouvertes. Utiliser uniquement à <b>L'EXTÉRIEUR</b> et loin des fenêtres, des portes et des événements.</p>
 <p><b>NEVER</b> use inside a home or garage, <b>EVEN IF</b> doors and windows are open.</p>	 <p>Only use <b>OUTSIDE</b> and far away from windows, doors, and vents.</p>
	<b>⚠ PELIGRO</b> <p>Usar un generador en el interior <b>PUEDE MATARLO EN POCOS MINUTOS</b>. Los gases de escape del generador contienen monóxido de carbono. Es un veneno que no puede verse ni olerse. <b>NUNCA</b> lo use dentro de su hogar o del garaje, <b>INCLUSO</b> con las puertas y las ventanas abiertas. Sólo utilícelo <b>AL AIRE LIBRE</b> y lejos de ventanas, puertas y respiraderos.</p>

# SYMBOLS

## FUEL WARNING

No smoking when filling with gasoline. Do not overfill. Full level is 1 in. below the top of the fuel neck. Stop the engine for five minutes before refueling to avoid the heat from the muffler igniting fuel vapors.

**⚠ DANGER ⚠ DANGER ⚠ PELIGRO**



Risk of Fire. Check for any fuel overflow or leaking. Stop the engine before refueling.  
 Risque d'incendie. Vérifier l'absence de débordement ou de fuite de carburant. Arrêter le moteur avant de faire le plein.  
 Riesgo de incendio. Revise si hay algún derrame o fuga de combustible. Apague el motor antes de poner combustible.

940974007-04

## ENGINE LUBRICANT WARNING

You must add lubricant before first operating the generator. The oil reservoir capacity is 1.1 qt. Always check the lubricant level before each operation. The lubricant level should always register between the hatched areas on the dipstick.



Add lubricant to full mark to start. Engine will not start or will shut off if lubricant is too low.  
 Ajouter de lubrifiant jusqu'au repère de remplissage pour démarrer. Le moteur ne démarrera pas ou s'arrêtera si le niveau de lubrifiant est bas.  
 Añada lubricante hasta la marca de lleno para arrancar. El motor no arrancará o se apagará si el nivel de lubricante está demasiado bajo.

940708007-03

## GROUNDING WARNING

National Electric Code requires generator to be grounded to an approved earth ground.

**⚠ WARNING ⚠ AVERTISSEMENT ⚠ ADVERTENCIA**

Product does not include ground rod or copper wire. National Electric Code requires generator to be properly grounded to an approved earth ground. Call an electrician for local grounding requirements.  
 Le produit ne comprend pas de piquet de terre ou de fil en cuivre. Le code électrique américain (National Electric Code) requiert un générateur pour une bonne mise à la terre approuvée. Appeler un électricien pour connaître les exigences locales de mise à la terre.  
 El producto no incluye el alambre de cobre ni la barra de conexión a tierra. Los Reglamentos Nacionales de Electricidad exigen que el generador esté debidamente conectado a una tierra aprobada. Comuníquese con un electricista para todo lo relacionado con los requisitos de conexión a tierra.

## HOT SURFACE WARNING

Do not touch the muffler or aluminum cylinder of the engine. They are very HOT and will cause severe burns. Don't put any flammable or combustible materials in the direct path of the exhaust.

**⚠ WARNING**

**HOT SURFACE**

**⚠ AVERTISSEMENT**

**SURFACE TRÈS CHAUDE**

**⚠ ADVERTENCIA**

**SUPERFICIE CALIENTE**



940680021-03

# ELECTRICAL

## EXTENSION CORD CABLE SIZE

Refer to the table below to ensure the cable size of the extension cords you use are capable of carrying the required load. Inadequate size cables can cause a voltage drop, which can burn out the appliance and overheat the cord.

Current in Amperes	Load in Watts		Maximum Allowable Cord Length				
	At 120V	At 240V	#8 Wire	#10 Wire	#12 Wire	#14 Wire	#16 Wire
2.5	300	600		1000 ft.	600 ft.	375 ft.	250 ft.
5	600	1200		500 ft.	300 ft.	200 ft.	125 ft.
7.5	900	1800		350 ft.	200 ft.	125 ft.	100 ft.
10	1200	2400		250 ft.	150 ft.	100 ft.	50 ft.
15	1800	3600		150 ft.	100 ft.	65 ft.	
20	2400	4800	175 ft.	125 ft.	75 ft.		
25	3000	6000	150 ft.	100 ft.			
30	3600	7200	125 ft.	65 ft.			
40	4800	9600	90 ft.				

## ELECTRIC MOTOR LOADS

It is characteristic of common electric motors in normal operation to draw up to six times their running current while starting. This table may be used to estimate the watts required to start “Code G” electric motors; however, if an electric motor fails to start or reach running speed, turn off the appliance or tool immediately to avoid equipment damage. Always check the requirements of the tool or appliance being used compared to the rated output of the generator.

Motor Size (H.P.)	Running Watts	Watts Required to Start Motor		
		Repulsion Induction	Capacitor	Split Phase
1/8	275	600	850	1200
1/6	275	600	850	2050
1/4	400	850	1050	2400
1/3	450	975	1350	2700
1/2	600	1300	1800	3600
3/4	850	1900	2600	—
1	1100	2500	3300	—

### CAUTION:

Operating voltage and frequency requirement of all electronic equipment should be checked prior to plugging them into this generator. Damage may result if the equipment is not designed to operate within a +/- 10% voltage variation, and +/- 3 hz frequency variation from the generator name plate ratings. To avoid damage, always have an additional load plugged into the generator if solid state equipment (such as a television set) is used. A power line conditioner is recommended for some solid state applications.

## GENERATOR CAPACITY

Make sure the generator can supply enough continuous (running) and surge (starting) watts for the items you will power at the same time. Follow these simple steps.

1. Select the items you will power at the same time.
2. Total the continuous (running) watts of these items. This is the amount of power the generator must produce to keep the items running. See the wattage reference chart at right.
3. Estimate how many surge (starting) watts you will need. Surge wattage is the short burst of power needed to start electric motor-driven tools or appliances such as a circular saw or refrigerator. Because not all motors start at the same time, total surge watts can be estimated by adding only the item(s) with the highest additional surge watts to the total rated watts from step 2.

# ELECTRICAL

**Example:**

Tool or Appliance	Continuous (Running) Watts	Surge (Starting) Watts
Window AC, 10,000 BTU	1200	1800
Refrigerator	700	2200
1/3 HP Well Pump	1000	2000
27 in. Television	500	0
Light (75 Watts)	75	0
	3475 Total Running Watts	2200 Highest Surge Watts

Total Continuous (Running) Watts      3475  
 Plus Highest Additional Surge Watts    + 2200  
 Equals Total Generator Output Required    5675

**POWER MANAGEMENT**

To prolong the life of the generator and attached devices, it is important to take care when adding electrical loads to the generator. There should be nothing connected to the generator outlets before starting its engine. The correct and safe way to manage generator power is to sequentially add loads as follows:

1. With nothing connected to the generator, start the engine as described later in this manual.
2. Plug in and turn on the first load, preferably the largest load you have.
3. Permit the generator output to stabilize (engine runs smoothly and attached device operates properly).
4. Plug in and turn on the next load.
5. Again, permit the generator to stabilize.
6. Repeat steps 4 and 5 for each additional load.

Never add more loads than the generator capacity. Take special care to consider surge loads in generator capacity as previously described.

**CAUTION:**

Do not overload the generator's capacity. Exceeding the generator's wattage/ampere capacity may damage the generator and/or electrical devices connected to it.

Application/Equipment	Estimated Run Watts*	Estimated Starting Watts*
<b>Emergency / Home Standby</b>		
Clock Radio	50	50
Lights (qty. 4 x 75 W)	300	300
Refrigerator	700	2200
Furnace Fan	800	2350
Water Well Pump	1000	1500
Microwave	1000	1000
Sump Pump	1050	2200
Electric Range (per element)	2100	2100
<b>Job Site</b>		
Electric Drill – 1/2 HP	600	900
Airless Sprayer – 1/3 HP	600	1200
Quartz Halogen Work Light	1000	1000
Reciprocating Saw	960	1920
Air Compressor – 1 HP	1600	4500
Circular Saw – 7-1/4 in.	1400	2300
Planer/Jointer – 6 in	1800	1800
Miter Saw – 10 in.	1800	1800
Table Saw/Radial Arm Saw – 10 in.	2000	2000

\*Wattages listed are approximate. Check tool or appliance for actual wattage.

# FEATURES

## PRODUCT SPECIFICATIONS

### ENGINE

Engine Type .....	4 Stroke, OHV
Cooling System .....	Forced Air
Starting System .....	Recoil
Ignition System .....	T.C.I.
Spark Plug .....	NGK BPR4ES
Engine Lubricant Volume .....	1.1 qt.
Fuel Volume .....	7 gal.

### GENERATOR

Rated Voltage .....	120V/240V
Rated Amps .....	47.5 A/23.75 A
Rated Output .....	5,700 W
Maximum Output .....	7,125 W
Rated Frequency .....	60 Hz

### DIMENSIONS

Length .....	28.5 in.
Width .....	20.88 in.
Height .....	24.25 in.
Weight .....	170 lbs.

## KNOW YOUR GENERATOR

See Figure 1.

The safe use of this product requires an understanding of the information on the product and in this operator's manual as well as a knowledge of the project you are attempting. Before use of this product, familiarize yourself with all operating features and safety rules.

### AC CIRCUIT BREAKER

The circuit breaker is provided to protect the generator against electrical overload. The circuit breaker may be reset by pressing the circuit breaker reset button.

### AIR FILTER

The air filter helps to limit the amount of dirt and dust drawn into the unit during operation.

### CHOKE LEVER

The choke lever is used when starting the engine.

### CORD RETAINERS

Use the cord retainers to prevent plugs from being accidentally pulled out of the 120 volt receptacles.

### FUEL TANK

The fuel tank has a capacity of 7 gallons.

### FUEL VALVE

The flow of fuel through the generator is controlled by the position of the fuel valve.

## GROUND TERMINAL

The ground terminal is used to assist in properly grounding the generator to help protect against electrical shock. Consult with a local electrician for grounding requirements in your area.

### OIL CAP/DIPSTICK

Remove the oil fill cap to check and add lubricant to the generator when necessary.

### OIL DRAIN PLUG

When changing the engine lubricant, the oil drain plug is removed to allow old engine lubricant to be drained.

### RECEPTACLES

Your generator has the following single phase, 60 Hz outlets: four 120 Volt AC, 20 Amp receptacles, and one 240 Volt AC, 30 Amp receptacle. These can be used for operating appropriate appliances, electrical lighting, tools, and motor loads.

### RECOIL STARTER GRIP

The recoil starter grip is used (along with the engine switch) to start the generator's engine.

# ASSEMBLY

## UNPACKING

This product requires assembly.

- Carefully cut the box down the sides then remove the machine and any accessories from the box. Make sure that all items listed in the packing list are included.

**NOTE:** This machine is heavy and requires a minimum of two people to lift. To avoid back injury, lift with your legs and not your back.

### **WARNING:**

Do not use this product if any parts on the Loose Parts List are already assembled to your product when you unpack it. Parts on this list are not assembled to the product by the manufacturer and require customer installation. Use of a product that may have been improperly assembled could result in serious personal injury.

- Inspect the unit carefully to make sure no damage occurred during shipping.
- Do not discard the packing material until you have carefully inspected and satisfactorily operated the product.
- If any parts are damaged or missing, please call 1-800-242-4672 for assistance.

### **WARNING:**

If any parts are damaged or missing do not operate this product until the parts are replaced. Use of this product with damaged or missing parts could result in serious personal injury.

### **WARNING:**

Do not attempt to modify this product or create accessories not recommended for use with this product. Any such alteration or modification is misuse and could result in a hazardous condition leading to possible serious personal injury.

### **WARNING:**

Do not attempt to operate the generator until assembly is complete. Failure to comply could result in possible serious personal injury.

## LOOSE PARTS LIST

See Figure 2.

The following items are included with the generator:

### Key

No.	Description	Qty.
1	Bolt (3/8-16 x 4-1/4 in.) .....	2
2	Washer (3/8 in.).....	2
3	Spacer (.38 ID).....	2
4	Wheel.....	2
5	Lock Nut (3/8-16).....	2
6	Handle Lock Pin .....	2
7	Lanyard.....	2
8	Lock Nut (1/4-20).....	2
9	Washer (1/4 in.).....	2
10	Rubber Foot .....	2
11	Bolt (1/4-20 x 1-1/2 in.) .....	2
12	Flange Nut (5/16-18).....	2
13	Washer (5/16 in.).....	4
14	Bolt (5/16-18 x 1 in.) .....	2
15	Frame Support .....	1
16	Engine Lubricant.....	1
17	Bolt (5/16-18 x 2-1/4 in.) .....	2
18	Lock Nut (5/16).....	2
19	Handle .....	2
20	Handle Bracket Spacer .....	2
	Operator's Manual (not shown) .....	1

## TOOLS NEEDED

See Figure 3.

The following tools (not included or drawn to scale) are needed for assembly:

- 7/16 in., 1/2 in., and 9/16 in. Socket Wrench
- 7/16 in., 1/2 in., and 9/16 in. Combination Wrench

**NOTE:** Do not put fuel or lubricant in the generator before installing the feet, frame support, and wheels.

## INSTALLING FEET ON THE FRAME SUPPORT

See Figure 4.

- Locate the following items:
  - 2 rubber feet
  - 2 lock nuts (1/4-20)
  - 2 washers (1/4 in.)
  - 2 bolts (1/4-20 x 1-1/2 in.)
- Insert bolt through foot, then through frame support as shown.
- Slide a washer on the bolt, then install nut. Tighten nut securely.

**NOTE: Be careful not to overtighten so that foot material collapses.**
- Repeat with remaining foot.

# ASSEMBLY

## INSTALLING THE FRAME SUPPORT

See Figure 4.

Install the frame support on the bottom of the generator frame on the same side as the handle.

- Locate the following items:
  - Frame support
  - 2 flange nuts (5/16-18)
  - 2 washers (5/16 in.)
  - 2 bolts (5/16-18 x 1 in.)
- Raise the end of the generator where the recoil starter is located high enough to gain access to the frame bottom; securely position props underneath to support.
- Align the holes on the frame support with the holes on the generator frame.
- Slide a washer on the bolt, then insert the bolt through the hole in the generator frame so it extends down through the frame support.
- Install flange nut and tighten securely.
- Repeat on other side.

## INSTALLING THE WHEELS

See Figure 5.

Wheels are provided to assist in moving the generator to the desired location and should be installed on the side opposite the handle.

- Locate the following items:
  - 2 bolts (3/8-16 x 4-1/4 in.)
  - 6 washers (3/8 in.)
  - 2 spacers (.38 ID)
  - 2 wheels
  - 2 lock nuts (3/8-16)
- Raise the end of the generator opposite the handle high enough to gain access to the frame bottom; securely position props underneath to support.
- Insert a wheel spacer into the center of the wheel.
- Place a washer on the bolt, then slide bolt through the wheel.
- Thread another washer on the bolt, then slide the bolt through the U-bracket frame on generator.
- Place a washer on end of bolt.
- Install nut on bolt and tighten securely.
- Repeat the process on the other side to install second wheel.

## ATTACHING THE HANDLES

See Figure 6.

- Locate the following items:
  - 2 handles
  - 2 bolt (5/16-8 x 3/4 in.)
  - 4 washers (5/16 in.)
  - 2 lock nuts (5/16 in.)
  - 2 handle bracket spacers
- Place handle and spacer on the frame.
- Place a washer on a bolt, then slide bolt through the handle, the frame and the spacer.
- Install nut on bolt and tighten securely.
- Repeat the process on the other side to install second handle.

## SECURING THE HANDLES

See Figures 7 - 8.

- Locate the following items:
  - 2 handle lock pins
  - 2 lanyards
- Attach the lanyard to the handle lock pin and the handle as shown in figure 7.
- Insert the pin through the hole in the handle and the generator frame to secure handle in place.



### WARNING:

Do not attempt to lift the unit by the handle assembly. If it is necessary to lift the generator, always grasp by the frame. Use proper lifting techniques to avoid back injury.



# OPERATION

## **DANGER:**

**Carbon Monoxide.** Using a generator indoors CAN KILL YOU IN MINUTES.

Generator exhaust contains high levels of carbon monoxide (CO), a poisonous gas you cannot see or smell. If you can smell the generator exhaust, you are breathing CO. But even if you cannot smell the exhaust, you could be breathing CO.

- Never use a generator inside homes, garages, crawl-spaces, or other partly enclosed areas. Deadly levels of carbon monoxide can build up in these areas. Using a fan or opening windows and doors does NOT supply enough fresh air.
- ONLY use a generator outdoors and far away from open windows, doors, and vents. These openings can pull in generator exhaust.

Even when you use a generator correctly, CO may leak into the home. ALWAYS use a battery-powered or battery-backup CO alarm in the home.

If you start to feel sick, dizzy, or weak after the generator has been running, move to fresh air RIGHT AWAY. See a doctor. You could have carbon monoxide poisoning.

## **DANGER:**

Failure to properly ground generator can result in electrocution, especially if the generator is equipped with a wheel kit. National Electric Code requires generator to be properly grounded to an approved earth ground. Call an electrician for local grounding requirements.

## **WARNING:**

Do not allow familiarity with this product to make you careless. Remember that a careless fraction of a second is sufficient to inflict serious injury.

## **WARNING:**

Do not use any attachments or accessories not recommended by the manufacturer of this product. The use of attachments or accessories not recommended can result in serious personal injury.

## APPLICATIONS

This generator is designed to supply electrical power for operating compatible electrical lighting, appliances, tools, and motor loads.

## BEFORE OPERATING THE UNIT

- Only use OUTSIDE and far away from windows, doors, and vents.
- NEVER use inside a home or garage, EVEN IF doors and windows are open.
- Always position the generator on a flat firm surface.

## SPECIAL REQUIREMENTS:

There may be General or State Occupational Safety and Health Administration (OSHA) regulations, local codes or ordinances that apply to the intended use of the generator.

Please consult a qualified electrician, electrical inspector, or the local agency having jurisdiction:

- In some areas, generators are required to be registered with local utility companies.
- If the generator is used at a construction site, there may be additional regulations which must be observed.

## CAUTION:

Attempting to start the engine before it has been properly filled with lubricant will result in equipment failure.

## CHECKING/ADDING LUBRICANT

See Figure 9.

Engine lubricant has a major influence on engine performance and service life. For general, all-temperature use, SAE 10W-30 is recommended. Always use a 4-stroke motor lubricant that meets or exceeds the requirements for API service classification SJ.

**NOTE:** Non-detergent or 2-stroke engine lubricants will damage the engine and should not be used.

- Unscrew the oil cap/dipstick and remove.
- Wipe dipstick clean and re-seat in hole; do not re-thread.
- Remove dipstick again and check lubricant level. Lubricant level should fall between the hatched areas on the dipstick.
- If level is low, add engine lubricant until the fluid level rises to the upper portion of the dipstick.
- Replace and secure the oil cap/dipstick.

# OPERATION

## CHECKING/ADDING FUEL

See Figure 10.

- Remove the fuel cap.
- Fill the fuel tank to 1 in. below the top of the fuel neck.
- Replace and secure the fuel cap.

**NOTE:** Always use unleaded gasoline with a pump octane rating of 86 or higher. Never use old, stale, or contaminated gasoline, and do not use an oil/gas mixture. Do not allow dirt or water into the fuel tank.

## USING FUEL STABILIZER

Fuel gets old, oxidizes, and breaks down over time. Adding a fuel stabilizer (not included) extends the usable life of fuel and helps prevent deposits from forming that can clog the fuel system. Follow fuel stabilizer manufacturer's directions for correct ratio of stabilizer to fuel.

- Add stabilizer to fuel tank, then fill with gasoline following previous instructions.

**NOTE:** Fuel stabilizer and gasoline can be mixed prior to filling the tank by using a gas can or other approved fuel container and shaking gently to combine.

- Replace and secure the fuel tank cap.
- Start and run the engine for at least 5 minutes to allow stabilizer to treat the entire fuel system.

## OXYGENATED FUELS

**DO NOT USE E85 FUEL. IT WILL VOID YOUR WARRANTY.**

**NOTE:** Fuel system damage or performance problems resulting from the use of an oxygenated fuel containing more than the percentages of oxygenates stated below **are not covered under warranty.**

**Ethanol.** Gasoline containing up to 10% ethanol by volume (commonly referred to as E10) is acceptable. **E85 is not.**

### CAUTION:

On a level surface with the engine off, check the lubricant level before each use of the generator.

## STARTING THE ENGINE

See Figures 10 - 12.

**NOTE:** If location of generator is not level, the unit may not start or may shut down during operation.

- Unplug all loads from the generator.
- Turn the fuel valve to the ON position.
- Move the choke lever right to the START position.  
**NOTE:** If engine is warm or the temperature is above 50°F, move the choke lever left to the RUN position.
- Put the engine switch in the ON (I) position.
- Pull the recoil starting grip until the engine runs (a maximum of 6 times).

**NOTE:** Do not allow the grip to snap back after starting; return it gently to its original place.

- Allow the engine to run for 30 seconds, then move the choke lever left to the RUN position.

## STOPPING THE ENGINE

See Figures 11 - 12.

**To stop the engine under normal operating conditions:**

- Remove any load from the generator.
- Turn the fuel valve to the OFF position.
- Put the engine switch in the OFF (O) position.

**To stop the engine in an emergency situation:**

- Put the engine switch in the OFF (O) position.



### WARNING:

While operating and storing, keep at least 3 feet of clearance on all sides of this product, including overhead. Allow a minimum of 30 minutes of "cool down" time before storage. Heat created by muffler and exhaust gases could be hot enough to cause serious burns and/or ignite combustible objects.

# MAINTENANCE



## WARNING:

When servicing, use only identical replacement parts. Use of any other parts can create a hazard or cause product damage.

Only the parts shown on the parts list are intended to be repaired or replaced by the customer. All other parts should be replaced at an authorized service center.

## GENERAL MAINTENANCE

Keep the generator in a clean and dry environment where it is not exposed to dust, dirt, moisture, or corrosive vapors. Do not allow the cooling air slots in the generator to become clogged with foreign material such as leaves, etc.

Do not use a garden hose to clean the generator. Water entering the fuel system or other internal parts of the unit can cause problems that will decrease the life of the generator.

### To clean the unit:

- Use a soft bristle brush and/or vacuum cleaner to loosen and remove dirt and debris.
- Clean air vents with low pressure air that does not exceed 25 psi.
- Wipe the exterior surfaces of the generator with a damp cloth.

## INFLATING THE TIRES



## WARNING:

To reduce the risk of injury, do not over-inflate the tires of this unit. During inflation regularly check the pressure using a reliable tire pressure gauge, and never exceed 25 psi. Always ensure the bolts in the wheel hubs are securely tight before adding pressure to the tire.

**NOTE: THE TIRES SHOULD BE INFLATED USING A HAND PUMP ONLY. DO NOT USE AN AIR COMPRESSOR.**

## CHECKING/CLEANING AIR FILTER

See Figure 13.

For proper performance and long life, keep air filter clean.

- Loosen the screws on the top and bottom of the air filter cover. Remove cover and set aside.
- Remove the filter element.
- If the filter element is dirty, clean with warm, soapy water. Rinse and let dry.
- Apply a light coat of engine lubricant to the element, then squeeze it out.

- Replace the element in the air filter unit.
- Replace the air filter cover and tighten screws to secure.

**NOTE: Do not** run the generator without the air filter. Rapid engine wear will result.

## CHANGING ENGINE LUBRICANT

See Figure 14.

- Remove the oil cap/dipstick.
- Place a container underneath the **oil drain plug** to collect used lubricant as it drains.
- Unscrew the **oil drain plug** and remove.
- Allow lubricant to drain completely.
- Reinstall the **oil drain plug** and tighten securely.
- Refill with lubricant following the instructions in the **Checking/Adding Lubricant** section.
- Reinstall the oil cap/dipstick.

**NOTE:** Used lubricant should be disposed of at an approved disposal site. See your local oil retailer for more information.

## SPARK PLUG MAINTENANCE

See Figure 15.

The spark plug must be properly gapped and free of deposits in order to ensure proper engine operation. To check:

- Remove the spark plug cap.
- Clean any dirt from around base of spark plug.
- Remove spark plug using wrench (not included).
- Inspect spark plug for damage, and clean with a wire brush before reinstalling. If insulator is cracked or chipped, spark plug should be replaced.
- Measure plug gap. The correct gap is 0.028–0.031 in. (0.7–0.8 mm). To widen gap, if necessary, carefully bend the ground (top) electrode. To lessen gap, gently tap ground electrode on a hard surface.
- Seat spark plug in position; thread in by hand to prevent cross-threading.
- Tighten with wrench to compress washer. If spark plug is new, use 1/2 turn to compress washer appropriate amount. If reusing old spark plug, use 1/8 to 1/4 turn for proper washer compression.

**NOTE:** An improperly tightened spark plug will become very hot and could damage the engine.

# MAINTENANCE

## CLEANING THE EXHAUST PORT AND MUFFLER

Depending on the type of fuel used, the type and amount of lubricant used, and/or your operating conditions, the exhaust port and muffler may become blocked with carbon deposits. If you notice a power loss with your gas-powered products, you may need to remove these deposits to restore performance. We highly recommend that only qualified service technicians perform this service.

## SPARK ARRESTOR

See Figure 16.

- Inspect the spark arrestor for breaks or holes. Replace if necessary. To purchase a replacement spark arrestor contact Homelite customer service at 1-800-242-4672.
- Use a brush to remove carbon deposits from the spark arrestor screen as needed.

## DRAINING FUEL TANK/CARBURETOR

See Figures 17 -18.

To help prevent gum deposits in the fuel system, drain the fuel from the tank and carburetor before storing.

### DRAINING THE FUEL TANK

- Turn the engine switch OFF (O).
- Turn the fuel valve to the OFF position.
- Remove the fuel line from the petcock by squeezing the ends of the retaining clip and sliding the fuel line off.
- Install one end of a drain line over the petcock, and place the other end in a fuel container large enough to catch the fuel being drained from the tank.
- Turn the fuel valve to the ON position.
- When the fuel has drained from the tank, close the fuel valve and reinstall fuel line on petcock.

## DRAINING THE CARBURETOR

- Turn the engine switch OFF (O).
- Turn the fuel valve to the OFF position.
- Position a suitable container under the carburetor drain screw to catch fuel; loosen the screw.
- Allow fuel to drain completely into container.
- Retighten drain screw.

**NOTE:** Consult hazardous waste management guidelines in your area for the proper way to dispose of used fuel.

## REPLACING FUEL FILTER

See Figure 19.

Occasionally the fuel filter may become clogged and need replacing. To purchase a replacement fuel filter contact Homelite customer service at 1-800-242-4672.

**NOTE:** Fuel tank must be empty before replacing fuel filter. Run unit until tank is empty, if needed, or inspect filter prior to fill-up.

### To replace:

- Turn the fuel valve to the OFF position.
- Remove the fuel line from both sides of the filter by squeezing the ends of the retaining clip with pliers.
- Slide the fuel line off.
- Replace with new fuel filter.
- Reinstall fuel lines to new fuel filter.
- Pull on lines to make sure they are secured.
- Turn the fuel valve to the ON position.

## TRANSPORTING

- Turn engine switch OFF (O).
- Turn the fuel valve to the OFF position.
- Make sure engine and exhaust of unit is cool.
- Empty the fuel tank.
- Do not drop or strike unit or place under heavy objects.

# MAINTENANCE

## STORAGE

When preparing the generator for storage, allow the unit to cool completely then follow the guidelines below.

STORAGE TIME	PRIOR TO STORING
Less than 2 months	<ul style="list-style-type: none"> <li>■ Drain gasoline from tank and dispose of in a suitable container according to state and local ordinances.</li> </ul>
2 months to 1 year	<ul style="list-style-type: none"> <li>■ Drain fuel from carburetor.</li> <li>■ Drain gasoline from tank and dispose of in a suitable container according to state and local ordinances.</li> </ul>
1 year or more	<ul style="list-style-type: none"> <li>■ Drain fuel from the carburetor.</li> <li>■ Remove spark plug.</li> <li>■ Drain gasoline from tank and dispose of in a suitable container according to state and local ordinances.</li> <li>■ Put a tablespoon of engine oil into the spark plug cylinder. Turn the engine slowly with the pull rope to distribute the oil.</li> <li>■ Reinstall spark plug.</li> <li>■ Change engine lubricant.</li> </ul> <p>After removal from storage:</p> <ul style="list-style-type: none"> <li>■ Fill with fresh gasoline.</li> </ul>

## MAINTENANCE SCHEDULE

**NOTE:** If a separate engine manual is provided for this generator, please follow the maintenance schedule provided in the engine manual instead of the maintenance information listed below.

	Before each use	After 1st month or 20 hours of operation	Every 3 months or 50 hours of operation	Every 6 months or 100 hours of operation	Every year or after 300 hours of operation
Check Engine Lubricant	■				
Change Engine Lubricant		■		■	
Check Air Filter	■				
Clean Air Filter**			■		
Change Air Filter**					■
Check/Adjust Spark Plug				■	
Replace Spark Plug					■
Check/Adjust Idle Speed					■
Check/Adjust Valve Clearance*					■
Clean Fuel Tank and Filter*				■	
Check Fuel Tube					■
Replace Fuel Filter					■
Check all hose/tube connections					■
Inspect rollover valve (if equipped)					■
Inspect carbon canister (CARB models only)					■

\* These items should only be carried out by an authorized service center.

\*\* See engine manual for maintenance schedule for this item.

**NOTE:** Maintenance should be performed more frequently when generator is used in dusty areas. When generator has exceeded the maximum figures specified in the table, maintenance should still be cycled according to the intervals of time or hours stated herein.

# TROUBLESHOOTING

PROBLEM	POSSIBLE CAUSE	SOLUTION
Engine will not start.	Engine switch is OFF. No fuel. Lubricant level is low.  Fuel valve is OFF. Spark plug faulty, fouled, or improperly gapped. Choke lever is in RUN position. Engine stored without treating or draining gasoline, or refueled with bad gasoline.	Turn engine switch to ON. Fill fuel tank. Check engine lubricant level and fill, if necessary. Turn fuel valve ON. Replace spark plug.  Move choke lever to START position. Drain fuel and carburetor. Refuel with fresh gasoline.
Engine lacks power.	Fuel element clogged.  Engine stored without treating or draining gasoline, or refueled with bad gasoline.	Check air filter element. Clean or replace as needed. Drain fuel and carburetor. Refuel with fresh gasoline.
AC receptacle does not work.	Circuit breaker is OFF. Item plugged in is defective.	Turn ON the AC circuit breaker. Try a different item.
Generator makes a “spark knock” or “pinging” noise.	An occasional light “knocking” or “pinging” under heavy load is not a cause for concern. However, if the knocking or pinging occurs under normal load at a steady engine speed, the problem may be with the brand of gasoline being used.	Switch to a different brand of gasoline, making sure that the octane rating is 86 or higher. If problem continues, contact your nearest authorized service center.
If problem persists after trying the above solutions, contact your nearest authorized service center for assistance.		
The following symptoms may indicate problems that will affect the emissions level of the unit: <ul style="list-style-type: none"> <li>■ Hard starting or stalling after starting</li> <li>■ Rough idle</li> <li>■ Misfiring or backfiring under load</li> <li>■ Afterburning (backfiring)</li> <li>■ Black exhaust smoke or high fuel consumption</li> </ul> If you encounter any of these symptoms, have the unit inspected and repaired by the nearest authorized service center.		

# WARRANTY

## LIMITED WARRANTY WARRANTY COVERAGE

Homelite Consumer Products, Inc., (the Company) warrants to the original retail purchaser that this Homelite Product is free from defects in material and workmanship and agrees to repair or replace, at the Company's discretion, any defective Product free of charge within these time periods from the date of purchase:

- **Three years**, if the Product is used solely for personal, family, or household use;
- One year, if the Product is used for business or commercial use.

This warranty applies only to Products sold within the United States of America, the District of Columbia, Canada, Mexico, the Commonwealth of Puerto Rico, the Virgin Islands, or Guam.

This warranty is not transferable and does not cover damage resulting from defects other than in material or workmanship, or damage caused by unreasonable use, including the failure to provide reasonable and necessary maintenance.

### **Other items not covered under this warranty include:**

- Transportation charges for sending the product to the Company or its authorized service representative for warranty service, or for shipping repaired or replacement products back to the customer; these charges must be borne by the original retail purchaser.
- Damages caused by abuse, accident, misuse, neglect, alteration, modification, the effects of corrosion, erosion, normal wear and tear or repairs by other than the Company or its authorized service representative.
- In addition this warranty does not cover:
  - Tune-ups – Spark Plugs, Carburetor, Carburetor Adjustments, Ignition, Filters, Oil Change
  - Wear items – Recoil Starter Rope, Engine Brushes, Cotter Pins, Wheels

Warranty is voided if the customer fails to install, maintain and operate the product in accordance with the instructions and recommendations of the Company as set forth in the Product's operator's manual or if the Product is used as rental equipment.

The Company will not pay for repairs or adjustments to the Product, or for any costs or labor, performed without the Company's prior authorization.

## **SAVE YOUR SALES SLIP**

Proof of purchase in the form of your dated sales receipt, cash register slip, etc., will be required before the Company and/or its authorized service representatives can perform warranty service on the Product.

## **EXCLUSIONS AND LIMITATIONS**

**THIS LIMITED WARRANTY IS IN LIEU OF ALL OTHER EXPRESS WARRANTIES.** ANY IMPLIED WARRANTY OF MERCHANTABILITY, FITNESS FOR A PARTICULAR PURPOSE, OR OTHERWISE, APPLICABLE TO THIS PRODUCT, SHALL BE LIMITED IN DURATION TO THE DURATION OF THIS LIMITED WARRANTY. THE WARRANTY SERVICE DESCRIBED ABOVE IS THE EXCLUSIVE REMEDY UNDER THIS WARRANTY. THE COMPANY SHALL NOT BE LIABLE FOR ANY SPECIAL, INCIDENTAL OR CONSEQUENTIAL DAMAGES.

SOME STATES DO NOT ALLOW A LIMITATION ON THE DURATION OF IMPLIED WARRANTIES, OR THE EXCLUSION OR LIMITATION OF INCIDENTAL, OR CONSEQUENTIAL DAMAGES, SO THE ABOVE LIMITATION OR EXCLUSION MAY NOT APPLY TO YOU.

## **HOW TO OBTAIN WARRANTY SERVICE**

**For warranty service: Call toll free 1-800-242-4672, or write to Homelite Consumer Products, Inc., 1428 Pearman Dairy Road, Anderson, SC 29625.**

**For warranty service outside the USA, please contact your local Homelite dealer.**

# WARRANTY

## **Yamaha Motor Corporation USA Spark Ignited Small Off-Road Equipment (SORE) Limited and EPA Emissions Warranty**

Yamaha Motor Corporation, USA, hereby warrants that new Yamaha Spark Ignited Small Off Road Engines, hereafter called SORE engines, purchased from an authorized Yamaha SORE engine dealer in the continental United States will be free from defects in material and workmanship for the period of time stated herein, subject to certain stated limitations.

**Period of Warranty** — Any new Yamaha SORE engine purchased for private, non-commercial use from an authorized Yamaha SORE engine dealer in the continental United States will be warrantied against defects in material or workmanship for a period of two (2) years from date of purchase, subject to exclusions noted herein.

Any Yamaha SORE engine purchased and utilized for commercial applications will be warrantied for a period of one (1) year from the date of purchase, subject to exclusions noted herein.

For Yamaha SORE engines used in a rental application, the warranty will be for ninety (90) days from the date of purchase, subject to the exclusions noted herein.

During the period of warranty any authorized Yamaha SORE engine repair station will, free of charge, repair or replace, at Yamaha's option, any part adjudged defective by Yamaha due to faulty workmanship or material from the factory. Parts used in warranty repairs will be warrantied for the balance of the product's warranty period. All parts replaced under warranty become property of Yamaha Motor Corporation USA.

**Emissions warranty** — emissions-related components will be warrantied for 2 years regardless of commercial or non-commercial use.

General Exclusions from this warranty shall include any failures caused by:

- a. Installation of parts or accessories that are not qualitatively equivalent to genuine Yamaha parts.
- b. Abnormal strain, neglect, or abuse.
- c. Lack of proper maintenance.
- d. Accident or collision damage.

Specific Exclusions from this warranty shall include parts replaced due to normal wear or routine maintenance.

The Customer's Responsibility under this warranty shall be to:

1. Operate and maintain the SORE engine as specified in the appropriate Owner's Manual.
2. Give notice to an authorized Yamaha SORE engine repair station of any and all apparent defects within ten (10) days after discovery, and make the unit available at time for inspection and repairs as requested by the Yamaha SORE repair station.

An approved Yamaha SORE engine repair station may be found by phoning 1-866-788-7398.

**Warranty Transfer:** To transfer the warranty from the original purchaser to any subsequent purchaser(s), please contact 1-866-788-7398 to find out the necessary procedures. In no case will the warranty be extended beyond the original period.

Yamaha Motor Corporation, USA, makes no other warranty of any kind, expressed or implied. All implied warranties of merchantability and fitness for a particular purpose which exceed the obligation and time limits stated in this warranty are hereby disclaimed by Yamaha Motor Corporation, USA, and excluded from this warranty.

Some states do not allow limitations on how long an implied warranty lasts, so the above limitation may not apply to you. Also excluded from this warranty are any incidental or consequential damages including loss of use. Some states do not allow the exclusion or limitation of incidental or consequential damages, so the above exclusion may not apply to you.

This warranty gives you specific legal rights, and you may also have other rights which vary from state to state.

Yamaha Motor Corporation, USA  
1-866-788-7398





# TABLE DES MATIÈRES

■ Introduction.....	2
■ Instructions importantes concernant la sécurité .....	3-4
■ Règles de sécurité particulières.....	4
■ Symboles.....	5-7
■ Caractéristiques électriques.....	8-9
■ Caractéristiques .....	10
■ Assemblage.....	11-12
■ Utilisation .....	13-14
■ Entretien.....	15-17
■ Dépannage.....	18
■ Garantie .....	19-20
■ Commande de pièces / réparation .....	Back Page

## INTRODUCTION

Ce produit offre de nombreuses fonctions destinées à rendre son utilisation plus plaisante et plus satisfaisante. Lors de la conception de ce produit, l'accent a été mis sur la sécurité, les performances et la fiabilité, afin d'en faire un outil facile à utiliser et à entretenir.

### DANGER :

#### MISE À LA TERRE DU GÉNÉRATEUR

Pour réduire les risques de choc électrique ou d'électrocution, le générateur doit être correctement mis à la terre. L'écrou et la borne de terre sur le cadre doivent toujours être utilisés pour connecter le générateur à une source de terre adaptée. La mise à la terre doit se faire avec un fil de calibre 8. Brancher la borne du fil de terre entre la rondelle de blocage et l'écrou, puis bien serrer l'écrou. Brancher l'autre extrémité du fil à une source de terre adaptée.

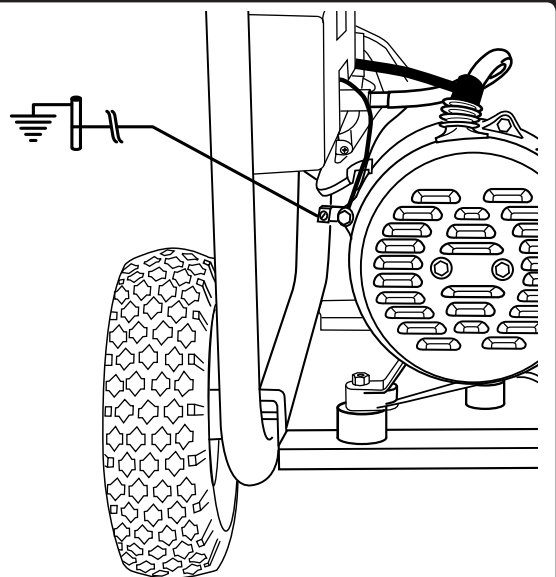
Le code électrique américain contient diverses façons pratiques permettant d'établir une bonne source de terre. Si une tige en fer ou en acier est utilisée, elle doit être d'au moins 15 mm (5/8 po) et si une tige non ferreuse est utilisée, elle doit avoir un diamètre d'au moins 12,5 mm (1/2 po) et être faite d'un matériau indiqué pour la mise à la terre. Introduire la tige ou le fourreau à une profondeur de 2,4 m (8 pieds). Si un fond rocailleux est présent à moins de 1,2 m (4 pieds), enterrer la tige ou le fourreau dans une tranchée.

Tous les outils et les appareils électriques utilisés à l'aide de ce générateur doivent être correctement mis à la terre par l'intermédiaire d'un troisième fil ou être doublement isolés.

Il est recommandé :

1. D'utiliser des appareils électriques avec prises de terre à trois fiches.
2. D'utiliser un cordon prolongateur avec prise à 3 pôles et une fiche à 3 broches aux extrémités opposées pour assurer la continuité de la protection de mise à la terre du générateur à l'appareil.

Consulter et respecter tous les règlements nationaux et locaux applicables concernant les spécifications de mise à la terre. Consulter un électricien qualifié ou le personnel de service si les instructions de mise à la terre ne sont pas bien comprises, ou en cas de doute au sujet de la mise à la terre.



# INSTRUCTIONS IMPORTANTES CONCERNANT LA SÉCURITÉ

## DANGER :

**Monoxyde de Carbone.** Utiliser une génératrice à l'intérieur d'un bâtiment CAUSERA LA MORT EN QUELQUES MINUTES.

Le tuyau d'échappement de la génératrice contient un niveau élevé de monoxyde de carbone (CO), lequel s'avère être un gaz poison inodore et invisible. Si vous pouvez sentir les gaz du tuyau d'échappement de la génératrice, vous respirez du CO. Mais, même si vous ne pouvez pas sentir les gaz provenant du tuyau d'échappement, vous pourriez être en train de respirer du CO.

- Ne jamais utiliser une génératrice à l'intérieur d'une maison, des garages, des petits espaces, ou autres aires restreintes partiellement fermées. Des niveaux mortels de monoxyde de carbone peuvent s'accumuler dans ces aires restreintes. Utiliser un ventilateur ou ouvrir une fenêtre ou les portes NE fournie PAS assez d'air frais à respirer.
- Utilisez SEULEMENT la génératrice à l'extérieur et loin des fenêtres ouvertes, des portes ouvertes, et des bouches d'aérations. Ces ouvertures peuvent tirer l'air provenant du tuyau d'échappement.

Même si vous utilisez une génératrice correctement, des gaz CO peuvent toujours s'infiltrer dans la maison. TOUJOURS utiliser une alarme de monoxyde de carbone à piles dans votre maison.

Si vous ressentez que vous commencez à être étourdi ou faible suite au fonctionnement de la génératrice, allez prendre l'air frais IMMÉDIATEMENT. Consultez un médecin. Vous pourriez avoir un empoisonnement au monoxyde de carbone.

## AVERTISSEMENT :

**Lire et comprendre toutes les instructions.** Le non-respect de toutes les instructions ci-dessous peut entraîner une électrocution, un incendie et/ou un empoisonnement au monoxyde de carbone, pouvant causer des blessures graves, voire mortelles.

## AVERTISSEMENT :

Le code électrique américain (National Electric Code) requiert que le générateur soit mis à la terre par l'intermédiaire d'une source de terre approuvée. Avant d'utiliser la borne de terre, consulter un électricien qualifié, un inspecteur en électricité ou un organisme local connaissant les codes et les règlements locaux applicables à l'utilisation prévue du générateur.

## CONSERVER CES INSTRUCTIONS

Ce manuel relate à propos d'instructions importantes pour l'appareil ce produit, lesquelles devraient être suivies pendant l'installation et l'entretien des piles et de la génératrice.

- Ne pas brancher au circuit électrique d'un bâtiment à moins que la génératrice et le commutateur de transfert n'aient été installés correctement par un électricien qualifié, et que ce

dernier n'ait vérifié la sortie électrique. Le branchement doit isoler l'alimentation de la génératrice de la source d'alimentation de l'appareil et doit répondre à toutes les lois et codes de l'électricité applicables.

- Ne pas laisser des enfants ou personnes n'ayant pas reçu une formation adéquate utiliser cette unité.
- Ne jamais mettre en marche ou faire tourner le moteur dans une zone fermée ou partiellement fermée. L'inhalation des fumées d'échappement provoquent le décès.
- Garder les badauds, enfants et animaux domestiques à une distance minimum de 3 m (10 pi).
- Porter des chaussures ou des bottes robustes et sèches. Ne pas utiliser pieds nus.
- Ne pas utiliser le générateur en état de fatigue, si l'on est souffrant ou sous l'influence de l'alcool, de drogues ou de médicaments.
- Garder toutes les parties du corps à l'écart des pièces en mouvement et des parties brûlantes de l'outil.
- Ne pas toucher les prises ou les fils dénudés.
- Ne pas utiliser le générateur avec des cordons électriques usés, effilochés, dénudés ou autrement endommagés.
- Laisser le moteur refroidir avant de remiser l'outil et vidanger le carburant.
- Ne pas utiliser le générateur dans la pluie ou la neige.
- Remiser la génératrice dans un endroit bien ventilé après avoir vider le réservoir de carburant. Ne pas remiser le carburant à proximité de la génératrice.
- Pour le transport dans un véhicule, le réservoir doit être vide, le robinet de carburant fermé et la machine bien arrimée.
- Laisser le moteur refroidir pendant 5 minutes avant de faire le plein.
- Manipuler le carburant avec précaution pour éviter les risques d'incendies et de brûlures. Le carburant est extrêmement inflammable.
- Ne pas fumer pendant la manipulation du carburant.
- Conserver le carburant dans un bidon ou jerrican approuvé pour l'essence.
- Poser la machine sur un sol plat, arrêter le moteur et le laisser refroidir avant de faire le plein.
- Desserrer le bouchon du réservoir lentement pour relâcher la pression et éviter que le carburant ne s'échappe.
- Une fois le réservoir plein, remettre le bouchon en place et le serrer fermement.
- Essuyer tout le carburant éventuellement répandu.
- N'essayer en aucun cas de brûler le carburant répandu.
- Une vibration est normale pendant l'utilisation de la génératrice. Pendant et après l'utilisation de la génératrice, inspectez celle-ci, tout comme les câbles d'extension et les câbles branchés à la boîte d'alimentation afin de détecter tout bris potentiel du matériel. Faites réparer tout dommage immédiatement ou remplacer les pièces endommagées au besoin. Ne pas utiliser de fiches ou des câbles qui sont endommagés tels qu'ils aient des signes de fissures ou si la couche isolante est craquée ou si les lamelles sont endommagées.

# INSTRUCTIONS IMPORTANTES CONCERNANT LA SÉCURITÉ

- Il est préférable d'utiliser une génératrice fixe comme source d'énergie de secours pour alimenter la maison en cas de panne d'électricité. Une génératrice portable, même correctement branchée, risque une surcharge. Il peut en résulter une surchauffe ou une contrainte indue sur les composantes du générateur, ce qui peut provoquer une défaillance de la génératrice.
- Utiliser uniquement des pièces de rechange et des accessoires approuvés et suivre les instructions dans la section Entretien de ce manuel. L'usage de pièces non autorisées ou le non-respect des instructions peut présenter des risques de choc électrique ou de blessures.
- Entretien le produit conformément aux instructions de ce manuel d'utilisation.
- Inspecter le produit avant chaque utilisation pour s'assurer qu'il n'y a pas de pièces desserrées, de fuites de carburant, etc. Remplacer les pièces endommagées.

## RÈGLES DE SÉCURITÉ PARTICULIÈRES






### AVERTISSEMENT :

**Lorsque cette génératrice est utilisée pour fournir de l'énergie à un système électrique d'un bâtiment :** cette génératrice doit être installée par un électricien qualifié et doit être branchée à un circuit fermé muni d'un interrupteur de transfert, conformément au Code National Électrique NFPA70. La génératrice devra être branchée sur un interrupteur de transfert lequel pourra allumer tous les conducteurs autres que celui du circuit électrique principal. Le cadre de la génératrice doit être mis à la terre par l'intermédiaire d'une source de terre approuvée. Si cette étape n'est pas faite, la génératrice ne sera pas isolée du circuit électrique et cela pourrait entraîner des blessures graves, voire même la mort chez un électricien travaillant pour l'usine.











- Ne pas utiliser cette génératrice pour alimenter les appareils d'urgence médicale ou le matériel de survie.
- L'échappement contient du monoxyde de carbone, un gaz toxique incolore et inodore. L'inhalation des fumées d'échappement peut causer la perte de conscience et le décès. Si la machine tourne dans un endroit clos ou partiellement clos, l'air peut contenir une quantité dangereuse de monoxyde de carbone. Pour éviter l'accumulation de fumées d'échappement, toujours assurer une ventilation adéquate.
- Toujours utiliser un détecteur de monoxyde de carbone fonctionnant sur piles lors de l'utilisation du générateur. En cas de sensation de nausée, d'étourdissement ou de faiblesse lors de l'utilisation du générateur, l'arrêter et aller immédiatement à l'air frais. Consulter un docteur. Il peut s'agir d'un empoisonnement au monoxyde de carbone.
- Placer le générateur sur une surface stable et plate.
- Utiliser dans un endroit bien ventilé et bien éclairé à l'écart des zones de travail pour éviter les interférences sonores.
- L'utilisation du générateur dans des conditions mouillées peut entraîner l'électrocution. Conserver l'unité au sec.
- Garder le générateur à au moins 1 m (3 pieds) de tout type de matériau combustible.
- Ne jamais utiliser le générateur près de matériaux dangereux.
- Ne pas utiliser le générateur près d'une station de distribution d'essence ou de gaz naturel.
- Ne pas toucher le silencieux ou le cylindre durant ou immédiatement après l'utilisation. Ils sont BRÛLANTS et peuvent provoquer des brûlures.
- Cette génératrice est équipée d'un connecteur neutre lié à la masse. Ceci signifie que le système électrique de la mise à la terre est connecté à un fil neutre de courant continu.
- Ne pas laisser le réservoir de carburant du générateur déborder lors du remplissage. Remplir à 25 mm (1 po) en dessous du goulot du réservoir de carburant pour permettre l'expansion. Vérifier que l'orifice de ventilation dans le bouchon du réservoir de carburant ne contient pas de débris. Ne pas boucher l'évent.
- Ne pas fumer lors du remplissage du générateur avec de l'essence.
- Fermer le moteur et le laisser refroidir complètement avant l'ajout de carburant ou la lubrification de la génératrice.
- Ne pas retirer la jauge d'huile ou le bouchon du réservoir de carburant lorsque le moteur tourne.
- Bien tenir compte de tous les autocollants de sécurité situés sur le générateur.
- Garder les enfants à un minimum de 3 m (10 pieds) du générateur à tout moment.
- L'unité fonctionne le mieux à des températures comprises entre -5 et 40 °C (23 et 104 °F) avec une humidité relative de 90 % ou moins.
- Des modifications spéciales pour une performance en haute altitude sont requises si le générateur est utilisé en permanence à des altitudes supérieures à 1500 m (5000 pieds). Contacter le centre de réparations agréé Homelite le plus proche pour plus d'informations et pour faire effectuer des modifications.
- Vérifier la tension et la fréquence requises avant de brancher tout équipement électronique sur le générateur. Le générateur peut se trouver endommagé si les appareils branchés ne sont pas prévus pour fonctionner à une tension égale à  $\pm 10\%$  et une fréquence égale à  $\pm 3$  Hz de celles indiquées sur la plaque signalétique du générateur. Pour éviter tout dommage, toujours brancher une charge additionnelle sur le générateur lorsqu'un appareil à circuits intégrés (tel qu'un téléviseur) est utilisé. Une varistance peut être aussi nécessaire pour certaines applications, dans le cas d'un ordinateur, par exemple. Une varistance peut être aussi nécessaire pour certaines applications de l'équipement en solide.
- Pour l'utilisation à l'extérieur seulement.
- Conserver ces instructions. Les consulter fréquemment et les utiliser pour instruire les autres utilisateurs éventuels. Si ce produit est prêté, il doit être accompagné de ces instructions.

# SYMBOLES

Les termes de mise en garde suivants et leur signification ont pour but d'expliquer le degré de risques associé à l'utilisation de ce produit.

SYMBOLE	SIGNAL	SIGNIFICATION
	<b>DANGER :</b>	Indique une situation extrêmement dangereuse qui, si elle n'est pas évitée, aura pour conséquences des blessures graves, voire mortelles.
	<b>AVERTISSEMENT :</b>	Indique une situation potentiellement dangereuse qui, si elle n'est pas évitée, aura pour conséquences des blessures graves ou mortelles.
	<b>ATTENTION :</b>	Indique une situation potentiellement dangereuse qui, si elle n'est pas évitée, pourrait entraîner des blessures légères ou de gravité modérée.
	<b>ATTENTION :</b>	(Sans symbole d'alerte de sécurité) Indique une situation pouvant entraîner des dommages matériels.

Certains des symboles ci-dessous peuvent être utilisés sur le produit. Veiller à les étudier et à apprendre leur signification. Une interprétation correcte de ces symboles permettra d'utiliser le produit plus efficacement et de réduire les risques.

SYMBOLE	NOM	DÉSIGNATION / EXPLICATION
	Alerte de sécurité	Indique un risque de blessure potentiel.
	Lire le manuel d'utilisation	Pour réduire les risques de blessures, l'utilisateur doit lire et veiller à bien comprendre le manuel d'utilisation avant d'utiliser ce produit.
	Avertissement concernant l'humidité	Ne pas exposer à la pluie ou l'humidité.
	Choc électrique	Une utilisation de l'équipement dans des conditions non sèches et le non-respect des méthodes sans danger peuvent entraîner un choc électrique.
	Vapeurs toxiques	Durant le fonctionnement, le générateur émet du monoxyde de carbone, un gaz toxique inodore et incolore. Respirer le monoxyde de carbone peut entraîner des nausées, des évanouissements, voire la mort.
	Incendie/explosion	Le carburant et ses vapeurs sont extrêmement inflammables et explosifs. Un incendie ou une explosion peut entraîner des brûlures graves, voire la mort.
	Surface chaude	Pour éviter les risques de blessures ou de dommages, éviter tout contact avec les surfaces brûlantes.
	Danger au levage	Pour réduire le risque de blessures graves, éviter de lever le générateur seul.
	Mise à la terre	Consulter un électricien local pour déterminer les exigences de mise à la terre avant le fonctionnement.
	Électrocution	Une mauvaise mise à la terre du générateur peut causer une électrocution, surtout si le générateur est équipé d'un kit de roues.

# SYMBOLES






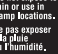
## AUTOCOLLANTS DE SÉCURITÉ



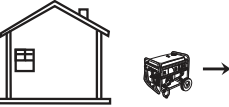
Les informations ci-dessous se trouvent sur le générateur. Pour des raisons de sécurité, étudier et comprendre tous les autocollants avant de mettre le générateur en marche. Si un autocollant se détache ou devient illisible, contacter le centre de réparations agréé pour obtenir un autocollant de rechange.

- Ne pas procéder de la manière décrite dans ce manuel d'utilisation entraînera des BLESSURES GRAVES voire la MORT.
- Risque d'incendie. Ne pas ajouter de carburant pendant l'utilisation de l'appareil.
- Le générateur est une source potentielle de chocs électriques. Ne pas exposer à l'humidité, la pluie ou la neige. Ne pas utiliser avec les mains ou les pieds mouillés.

- L'échappement contient le gaz monoxyde de carbone toxique qui peut causer l'inconscience ou la MORT les secteurs bien ventilés et extérieurs loin d'ouvre des fenêtres ou des portes.
- Une mauvaise mise à la terre du générateur peut causer une électrocution, surtout si le générateur est équipé d'un kit de roue.
- Ne pas exposer à la pluie ou l'humidité.
- L'utilisation d'une génératrice à l'intérieur PEUT VOUS TUER EN QUELQUES MINUTES. Les génératrices produisent du monoxyde de carbone, un gaz mortel incolore et inodore.
- NE JAMAIS utiliser à l'intérieur d'une maison ou d'un garage, MÊME SI les portes et les fenêtres sont ouvertes.
- Utiliser uniquement À L'EXTÉRIEUR et loin des fenêtres, des portes et des événements.

**⚠ DANGER ⚠ DANGER ⚠ PELIGRO**


 <p><b>You WILL be KILLED or SERIOUSLY HURT</b> if you do not follow the Operator's Manual instructions.</p> <p>Ne pas procéder de la manière décrite dans ce Manuel d'utilisation entraînera des BLESSURES GRAVES voire la MORT. SE MATARÁ o LESIONARÁ GRAVEMENTE si no sigue las Instrucciones del Manual del operador.</p>	 <p><b>Risk of fire.</b> Do not add fuel while the product is operating.</p> <p>Risque d'incendie. Ne pas ajouter de carburant pendant l'utilisation de l'appareil.</p> <p>Riesgo del incendio. No agregue combustible cuando el producto está funcionando.</p>	 <p><b>Generator is a potential source of electric shock.</b> Do not expose to moisture, rain, or snow. Do not operate with wet hands or feet.</p> <p>Le générateur est une source potentielle de chocs électriques. Ne pas exposer à l'humidité, la pluie ou la neige. Ne pas utiliser avec les mains ou les pieds mouillés.</p> <p>El generador es una fuente de descarga eléctrica. No lo exponga a humedad, la lluvia, ni a la nieve. No opere con manos o pies húmedos.</p>	 <p><b>Exhaust contains poisonous carbon monoxide gas that can cause unconsciousness or DEATH.</b> Operate in well ventilated, outdoor areas away from open windows or doors.</p> <p>L'échappement contient le gaz monoxyde de carbone toxique qui peut causer l'inconscience ou la MORT. Fonctionner dans les secteurs bien ventilés et extérieurs loin d'ouvre des fenêtres ou des portes.</p> <p>El escape contiene gas venenoso de monóxido de carbono que puede causar pérdida del conocimiento o MUERTE. Opere en áreas exteriores bien ventiladas lejos de puertas o ventanas abiertas.</p>	 <p><b>Failure to properly ground generator can result in electrocution, especially if the generator is equipped with a wheel kit.</b></p> <p>Une mauvaise mise à la terre du générateur peut causer une électrocution, surtout si le générateur est équipé d'un kit de roue.</p> <p>La omisión de conectar a tierra adecuadamente el generador puede resultar en electrocución, especialmente si el generador está equipado con un kit de ruedas.</p>	 <p><b>Do not expose to rain or use in damp locations.</b></p> <p>Ne pas exposer à la pluie ou l'humidité.</p> <p>No exponga a la lluvia ni use en lugares húmedos.</p>
---	--	---	---	---	--

<p style="text-align: center;"><b>⚠ DANGER</b></p> <p><b>Using a generator indoors CAN KILL YOU IN MINUTES.</b> Generator exhaust contains carbon monoxide. This is a poison you cannot see or smell.</p>	<p style="text-align: center;"><b>⚠ DANGER</b></p> <p><b>L'utilisation d'une génératrice à l'intérieur PEUT VOUS TUER EN QUELQUES MINUTES.</b> Les génératrices produisent du monoxyde de carbone, un gaz mortel incolore et inodore. <b>NE JAMAIS</b> utiliser à l'intérieur d'une maison ou d'un garage, MÊME SI les portes et les fenêtres sont ouvertes. Utiliser uniquement À L'EXTÉRIEUR et loin des fenêtres, des portes et des événements.</p>
  <p><b>NEVER</b> use inside a home or garage, <b>EVEN IF</b> doors and windows are open.</p>	 <p><b>Only use OUTSIDE</b> and far away from windows, doors, and vents.</p>
<p style="text-align: center;"><b>⚠ PELIGRO</b></p> <p><b>Usar un generador en el interior PUEDE MATARLO EN POCOS MINUTOS.</b> Los gases de escape del generador contienen monóxido de carbono. Es un veneno que no puede verse ni olerse. <b>NUNCA</b> lo use dentro de su hogar o del garaje, <b>INCLUSO</b> con las puertas y las ventanas abiertas. Sólo utilícelo <b>AL AIRE LIBRE</b> y lejos de ventanas, puertas y respiraderos.</p>	

# SYMBILES

## AVERTISSEMENT CONCERNANT LE CARBURANT

Ne pas fumer lors du plein. Ne pas trop remplir. Le plein est obtenu à 25 mm (1 po) en dessous du haut du goulot de remplissage. Arrêter le moteur pendant cinq minutes avant de faire le plein pour éviter que la chaleur du silencieux n'allume les vapeurs de carburant.

⚠ DANGER ⚠ DANGER ⚠ PELIGRO	
	<p>Risk of Fire. Check for any fuel overflow or leaking. Stop the engine before refueling.</p> <p>Risque d'incendie. Vérifier l'absence de débordement ou de fuite de carburant. Arrêter le moteur avant de faire le plein.</p> <p>Riesgo de incendio. Revisar si hay algún derrame o fuga de combustible. Apague el motor antes de poner combustible.</p>

## AVERTISSEMENT CONCERNANT LE LUBRIFIANT MOTEUR

Ajouter de le lubrifiant avant l'utilisation initiale du générateur. La contenance du réservoir est de 1,0 l (1,1 quart). Toujours vérifier le niveau de lubrifiant avant chaque utilisation. Le niveau de lubrifiant doit toujours se trouver dans la zone hachurée de la jauge.

	<p>Add lubricant to full mark to start. Engine will not start or will shut off if lubricant is too low.</p> <p>Ajouter de lubrifiant jusqu'au repère de remplissage pour démarrer. Le moteur ne démarrera pas ou s'arrêtera si le niveau de lubrifiant est bas.</p> <p>Añada lubricante hasta la marca de lleno para arrancar. El motor no arrancará o se apagará si el nivel de lubricante está demasiado bajo.</p>
--	--

## MISE À LA TERRE - AVERTISSEMENT

Le code électrique américain (National Electric Code) requiert que le générateur soit mis à la terre par l'intermédiaire d'une source de terre approuvée.

⚠ WARNING	⚠ AVERTISSEMENT	⚠ ADVERTENCIA
<p>Product does not include ground rod or copper wire. National Electric Code requires generator to be properly grounded to an approved earth ground. Call an electrician for local grounding requirements.</p> <p>Le produit ne comprend pas de piquet de terre ou de fil en cuivre. Le code électrique américain (National Electric Code) requiert un générateur pour une bonne mise à la terre approuvée. Appeler un électricien pour connaître les exigences locales de mise à la terre.</p> <p>El producto no incluye el alambre de cobre ni la barra de conexión a tierra. Los Reglamentos Nacionales de Electricidad exigen que el generador esté debidamente conectado a una tierra aprobada. Comuníquese con un electricista para todo lo relacionado con los requisitos de conexión a tierra.</p>		

## AVERTISSEMENT CONCERNANT LES SURFACES BRÛLANTES

Ne pas toucher le silencieux ou le cylindre en aluminium du moteur. Ils sont BRÛLANTS et peuvent causer de graves brûlures. Ne mettre aucun matériau inflammable ou combustible sur le chemin direct de l'échappement.

⚠ WARNING
HOT SURFACE
⚠ AVERTISSEMENT
SURFACE TRÈS CHAUDE
⚠ ADVERTENCIA
SUPERFICIE CALIENTE

940680021-03

# CARACTÉRISTIQUES ÉLECTRIQUES

## TAILLE DU CÂBLE DU CORDON PROLONGATEUR

Voir le tableau ci-dessous pour vérifier que la taille de câble des cordons prolongateurs utilisés est capable de porter la charge requise. Des tailles de câbles inadéquates peuvent causer une chute de tension qui peut griller l'appareil et surchauffer le cordon.

Courant en ampères	Charge en watts		Longueur de cordon permise maximum				
	À 120 V	À 240 V	Fil de calibre 8	Fil de calibre 10	Fil de calibre 12	Fil de calibre 14	Fil de calibre 16
2.5	300	600		305 m (1000 pieds)	183 m (600 pieds)	114 m (375 pieds)	76 m (250 pieds)
5	600	1200		152 m (500 pieds)	91 m (300 pieds)	61 m (200 pieds)	38 m (125 pieds)
7.5	900	1800		107 m (350 pieds)	61 m (200 pieds)	38 m (125 pieds)	31 m (100 pieds)
10	1200	2400		76 m (250 pieds)	46 m (150 pieds)	31 m (100 pieds)	15 m (50 pieds)
15	1800	3600		46 m (150 pieds)	31 m (100 pieds)	20 m (65 pieds)	
20	2400	4800	53 m (175 pieds)	38 m (125 pieds)	23 m (75 pieds)		
25	3000	6000	46 m (150 pieds)	31 m (100 pieds)			
30	3600	7200	38 m (125 pieds)	20 m (65 pieds)			
40	4800	9600	27 m (90 pieds)				

## CHARGES DU MOTEUR ÉLECTRIQUE

Les moteurs électriques courants en fonctionnement normal tirent jusqu'à six fois leur courant de fonctionnement lors du démarrage. Ce tableau peut être utilisé pour estimer les watts requis pour démarrer les moteurs électriques « code G » ; cependant, si un moteur électrique ne démarre pas ou n'atteint pas sa vitesse de fonctionnement, éteindre immédiatement l'appareil ou l'outil pour éviter d'endommager l'équipement. Toujours vérifier les exigences de l'outil ou de l'appareil utilisé par rapport à la sortie nominale du générateur.

Taille du moteur (ch)	Watts de fonctionnement	Watts requis pour le démarrage du moteur		
		Répulsion Induction	Condensateur	Phase auxiliaire
1/8	275	600	850	1200
1/6	275	600	850	2050
1/4	400	850	1050	2400
1/3	450	975	1350	2700
1/2	600	1300	1800	3600
3/4	850	1900	2600	—
1	1100	2500	3300	—



### AVERTISSEMENT :

Vérifier la tension et la fréquence requises avant de brancher tout équipement électronique sur le générateur. Le générateur peut se trouver endommagé si les appareils branchés ne sont pas prévus pour fonctionner à une tension égale à  $\pm 10\%$  et une fréquence égale à  $\pm 3$  Hz de celles indiquées sur la plaque signalétique du générateur. Pour éviter tout dommage, toujours brancher une charge additionnelle sur le générateur lorsqu'un appareil à circuits intégrés (tel qu'un téléviseur) est utilisé. Une varistance peut être aussi nécessaire pour certaines applications, dans le cas d'un ordinateur, par exemple. Une varistance peut être aussi nécessaire pour certaines applications de l'équipement en solide.

## CAPACITÉ DU GÉNÉRATEUR

S'assurer que le générateur peut fournir les watts continus (de fonctionnement) et de surtension (démarrage) suffisants pour tous les articles alimentés au même moment. Suivre ces simples étapes.

1. Sélectionner les articles qui seront alimentés au même moment.
2. Faire le total des watts continus (de fonctionnement) de ces articles. Ceci correspond à la somme de puissance que le générateur doit produire pour que ces articles puissent fonctionner. Voir le tableau de référence de wattage à droite.



# CARACTÉRISTIQUES ÉLECTRIQUES

3. Déterminer les watts de surtension (démarrage) nécessaires. Les watts de surtension correspondent à la courte pointe de puissance nécessaire pour démarrer les outils ou les appareils à moteur électriques, tels que les scies circulaires ou les réfrigérateurs. Les moteurs ne démarrant pas tous au même moment, le total des watts de surtension peut être déterminé en ajoutant uniquement les articles au wattage de surtension supplémentaire le plus élevé au wattage nominal total de l'étape 2.

## Exemple :

Outil ou appareil	Watts de fonctionnement (continu)	Watts de surtension (démarrage)
Climatiseur de fenêtre, 10 000 BTU	1200	1800
Réfrigérateur	700	2200
Pompe de puits 1/2 ch	1000	2000
Télévision de 27 pouces	500	0
Éclairage (75 W)	75	0
	3475 Wattage de fonctionnement total	2200 Wattage de surtension maximum

Wattage continu (fonctionnement) total 3475  
 Plus wattage de surtension supplémentaire maximum + 2200  
 Égal à la sortie totale du générateur requise 5675

## GESTION DE L'ÉNERGIE

Pour prolonger la durée de vie du générateur et des appareils reliés, il est important d'effectuer l'ajout de charges électriques supplémentaires au générateur avec soin. Rien ne doit être connecté aux sorties du générateur avant le démarrage du moteur. Une gestion correcte et en toute sécurité de l'énergie du générateur consiste à ajouter des charges en séquence :

1. Sans appareil connecté au générateur, mettre le moteur en marche de la façon décrite dans ce manuel.
2. Brancher et mettre en marche la première charge, de préférence la plus importante.
3. Laisser la sortie du générateur se stabiliser (le moteur tourne régulièrement et l'appareil relié fonctionne correctement).
4. Brancher et mettre la charge suivante en marche.
5. Une fois de plus, laisser le générateur se stabiliser.
6. Répéter les étapes 4 et 5 pour chaque charge supplémentaire.

Ne jamais ajouter de charges supérieures à la capacité du générateur. Bien veiller à considérer les charges de surtension comme décrit précédemment.

### ATTENTION :

Ne pas surcharger la capacité du générateur. Le dépassement de la capacité du wattage/de l'ampérage du générateur peut endommager le générateur et/ou les appareils électriques qui lui sont reliés.

Application/Equipo	Watts de fonctionnement estimé*	Watts démarrage estimé*
<b>Urgence / à la maison de secours</b>		
Radio-réveil	50	50
Lampes (4 qty x 75 W)	300	300
Réfrigérateur	700	2200
Ventilateur de générateur d'air chaud – 1/2 ch	800	2350
Pompe de puits	1000	1500
Micro-ondes	1000	1000
Pompe de vidange – 1/2 ch	1050	2200
Cuisinière électrique (par l'élément)	2100	2100
<b>Site de travail</b>		
Perceuse électrique – 1/2 ch	600	900
Pulvérisateur sans air – 1/3 ch	600	1200
Lampe de travail quartz-halogène	1000	1000
Scie alternative	960	1920
Compresseur à air - 1 ch	1600	4500
Scie circulaire – 184 mm (7-1/4 po)	1400	2300
Raboteuse/dégauchisseuse – 152 mm (6 po)	1800	1800
Scie à onglet – 254 mm (10 po)	1800	1800
Scie circulaire à table/scie circulaire tous azimuts - 254 mm (10 po)	2000	2000

\*Les wattages indiqués sont approximatifs. Vérifier le wattage sur l'outil ou l'appareil.

# CARACTÉRISTIQUES

## FICHE TECHNIQUE

### MOTEUR

Type de moteur.....	4 temps, OHV
Système de refroidissement.....	Air forcé
Système de démarrage.....	À rappel
Système d'allumage.....	Transistorisé
Bougie.....	NGK BPR4ES
Volume de lubrifiant moteur.....	1,0 l (1,1 qt.)
Volume de carburant.....	26,5 l (7 gal.)

### GÉNÉRATEUR

Tension nominale.....	120 V/240 V
Ampérage nominal.....	47,5 A/23,75 A
Sortie nominale.....	5 700 W
Sortie maximum.....	7 125 W
Fréquence nominale.....	60 Hz

### DIMENSIONS

Longueur.....	723,9 mm (28,5 po)
Largeur.....	530,2 mm (20,88 po)
Hauteur.....	516,0 mm (24,25 po)
Poids.....	77,1 kg (170 lb)

## BIEN CONNAÎTRE LE GÉNÉRATEUR

Voir la figure 1.

L'utilisation sûre de ce produit exige une compréhension des renseignements figurant sur le produit et contenus dans le manuel d'utilisation, ainsi qu'une bonne connaissance du projet entrepris. Avant d'utiliser ce produit, se familiariser avec toutes ses caractéristiques et règles de sécurité.

### DISJONCTEUR C.A.

Le disjoncteur est fourni pour protéger le générateur contre les surcharges électriques. Soulevez le levier de disjoncteur pour le réenclencher.

### FILTRE À AIR

Le filtre à air permet de limiter la quantité de poussière et de saleté pénétrant dans l'unité lors du fonctionnement.

### LEVIER D'ÉTRANGLEMENT

Le levier d'étranglement sert lors du démarrage du moteur.

### RETENUES DE CORDON

Utiliser les retenues de cordon afin d'éviter tout retrait accidentel des prises de 120 volts.

### RÉSERVOIR DE CARBURANT

Le réservoir de carburant a une contenance de 26,5 l (7 gallons).

## ROBINET DE CARBURANT

Le débit de carburant par le générateur est contrôlé par la position du robinet de carburant.

## BORNE DE TERRE

La borne de terre permet d'obtenir une bonne mise à la terre du générateur pour la protection contre les chocs électriques. Consulter un électricien local pour les exigences de mise à la terre locales.

## BOUCHON/JAUGE D'HUILE

Retirer le bouchon de remplissage d'huile pour vérifier le niveau d'huile et faire l'appoint selon le besoin.

## HUILER LE BOUCHON D'ÉGOUT

Lors de la vidange de lubrifiant moteur, la huiler le bouchon d'égout est retirée pour permettre à l'huile d'être vidangée.

## PRISES

Le générateur est équipé des prises 60 Hz à puissance monophasée suivantes : quatre prises de 120 V c.a., 20 A et une prise de 240 V c.a., 30 A. Elles peuvent être utilisées pour le fonctionnement d'appareils, d'éclairage électrique, d'outils et de charges de moteur adéquats.

## POIGNÉE DU DÉMARREUR À RAPPEL

La poignée du démarreur à rappel est utilisée (avec le contacteur du moteur) pour mettre le générateur du moteur en marche.

# ASSEMBLAGE

## DÉBALLAGE

Ce produit doit être assemblé.

- Couper prudemment les côtés de la caisse puis sortir la machine et les accessoires de la caisse. S'assurer que toutes les pièces figurant sur la liste de contrôle sont incluses.

**NOTE :** Cet machine est lourd et nécessite au minimum deux personnes pour être soulevée. Pour éviter des problèmes lombaires soulever avec les jambes, pas avec le dos et demander de l'aide lorsque nécessaire.

### AVERTISSEMENT :

Ne pas utiliser le produit si, en le déballant, vous constatez que des éléments figurant dans la liste des pièces détachées sont déjà assemblés. Certaines pièces figurant sur cette liste n'ont pas été assemblées par le fabricant et exigent une installation. Le fait d'utiliser un produit qui a été assemblé de façon inadéquate peut entraîner des blessures.

- Examiner soigneusement l'unité pour s'assurer que rien n'a été brisé ou endommagé en cours de transport.
- Ne pas jeter les matériaux d'emballage avant d'avoir soigneusement examiné le produit et vérifié qu'il fonctionne correctement.
- Si des pièces manquent ou sont endommagées, appeler le 1-800-242-4672 pour obtenir de l'aide.

### AVERTISSEMENT :

Si des pièces manquent ou sont endommagées, ne pas utiliser le produit jusqu'à ce qu'elles soient remplacées. Le non-respect de cet avertissement pourrait entraîner des blessures graves.

### AVERTISSEMENT :

Ne pas essayer de modifier ce produit ou de créer des accessoires non recommandés pour ce produit. De telles altérations ou modifications sont considérées comme un usage abusif et peuvent créer des conditions dangereuses pouvant entraîner des blessures graves.

### AVERTISSEMENT :

Ne pas tenter d'utiliser le générateur avant d'avoir terminé l'assemblage. Le non-respect de cette instruction pourrait entraîner des blessures graves.

## LISTE DES PIÈCES DÉTACHÉE

Voir la figure 2.

Les articles suivants sont inclus avec le générateur :

No de Pièce	Description	Qté.
1	Boulon (3/8-16 x 4-1/4 pulg.).....	2
2	Rondelle (3/8 pulg.).....	2
3	Écarteur (0,38 ID).....	2
4	Roue.....	2
5	Écrou frein (3/8-16).....	2
6	Goupille de verrouillage de poignée.....	2
7	Bracelet.....	2
8	Écrou frein (1/4-20).....	2
9	Rondelle (1/4 pulg.).....	2
10	Pied en caoutchouc.....	2
11	Boulon (1/4-20 x 1-1/2 pulg.).....	2
12	Écrou à épaulement (5/16-18).....	2
13	Rondelle (5/16 pulg.).....	4
14	Boulon (5/16-18 x 1 pulg.).....	2
15	Support de cadre.....	1
16	Lubrifiant moteur.....	1
17	Boulon (5/16-18 x 2-1/4 pulg.).....	2
18	Écrou frein (5/16).....	2
19	Poignée.....	2
20	Entretoise de support de la poignée.....	2
	Manuel d'utilisation (non illustré).....	1

## OUTILS NÉCESSAIRES

Voir la figure 3.

Les outils suivants (non inclus ou dessiné pour escalader) sont nécessaires pour effectuer l'assemblage :

- Clé à douille de 7/16 po, 1/2 po, et 9/16 po
- Clé mixte de 7/16 po, 1/2 po, et 9/16 po

**NOTE :** Ne pas mettre du carburant ou du lubrifiant dans la génératrice avant d'installer les patins, le support de cadre et les roues.

## FIXER LES ROUES SUR LE SUPPORT DE CADRE

Voir la figure 4.

- Localiser les pièces suivantes :
  - 2 patin en caoutchouc
  - 2 écrous frein (1/4-20)
  - 2 rondelle (1/4 po)
  - 2 boulons (1/4-20 x 1-1/2 po)
- Insérer le boulon dans le patin, et ensuite dans le support de cadre tel qu'indiqué.
- Faire glisser une rondelle sur le boulon, puis fixer l'écrou. Serrer l'écrou solidement.

**NOTE :** Faire attention à ne pas trop le serrer pour éviter que le pied ne s'écroule.

- Répéter l'opération sur l'autre pied.

# ASSEMBLAGE

## INSTALLATION DE SUPPORT DE CADRE

Voir la figure 4.

Fixer le support de cadre à la base du cadre de la génératrice, du même côté que la poignée.

- Localiser les pièces suivantes :
  - Support de cadre
  - 2 écrous à épaulement (5/16-18)
  - 2 rondelles (5/16 po)
  - 2 boulons (5/16-18 x 1 po)
- Relever l'extrémité du générateur du côté du démarreur à rappel suffisamment pour accéder au bas du cadre ; placer des cales en dessous pour obtenir un bon support.
- Aligner les trous sur le support du cadre avec ceux du cadre du générateur.
- Glisser une rondelle sur le boulon puis insérer le boulon dans le trou situé sur le cadre de la génératrice afin qu'il s'étende dans le support de cadre.
- Fixer un écrou à épaulement et serrer solidement.
- Répéter de l'autre côté.

## INSTALLATION DES ROUES

Voir la figure 5.

Les roues sont fournies pour aider à déplacer le générateur à l'endroit désiré et doivent être installées du côté opposé à la poignée.

- Localiser les pièces suivantes :
  - 2 boulons (3/8-16 x 4-1/4 po)
  - 6 rondelles (3/8 po)
  - 2 écarteur (0,38 ID)
  - 2 roues
  - 2 écrous frein (3/8-16)
- Relever l'extrémité du générateur à l'opposé du poignée à rappel suffisamment pour accéder au bas du cadre ; placer des cales en dessous pour obtenir un bon support.
- Insérer un écarteur de roues au centre d'une roue.
- Placer une rondelle sur le boulon, puis glisser le boulon dans la roue.
- Enfiler une autre rondelle sur le boulon, puis glisser le boulon dans le cadre du support en U sur le génératrice.
- Placer une rondelle à l'extrémité du boulon.
- Fixer l'écrou sur le boulon et serrer solidement.
- Répéter le processus de l'autre côté pour fixer la deuxième roue.

## INSTALLATION DE LA POIGNÉE

Voir la figure 6.

- Localiser les pièces suivantes :
  - 2 poignées
  - 2 boulons (5/16-8 x 3/4 po)
  - 4 rondelles (5/16 po)
  - 2 écrous frein (5/16 po)
  - 2 entretoise de support de la poignée
- Placer la poignée et entretoise de support de la poignée sur le cadre.
- Placer une rondelle sur le boulon, puis glisser le boulon dans la poignée, le cadre et entretoise de support de la poignée.
- Fixer l'écrou sur le boulon et serrer solidement.
- Répéter le processus de l'autre côté pour fixer la deuxième poignée.

## FIXER LES POIGNÉES

Voir les figures 7 et 8.

- Localiser les pièces suivantes :
  - 2 goupille de blocage de la poignée
  - 2 bracelet
- Attacher le bracelet à la goupille de verrouillage de poignée et à la poignée tel qu'indiqué à la figure 7.
- Insérer la goupille dans le trou située sur la poignée et le cadre de la génératrice et fixer la poignée en place.



### AVERTISSEMENT :

Ne pas tenter de lever l'unité par la poignée. Si le générateur doit être levé, toujours le saisir par le cadre. Utiliser les techniques de levage appropriées pour éviter les blessures du dos.

# UTILISATION

## DANGER :

**Monoxyde de Carbone.** Utiliser une génératrice à l'intérieur d'un bâtiment CAUSERA LA MORT EN QUELQUES MINUTES.

Le tuyau d'échappement de la génératrice contient un niveau élevé de monoxyde de carbone (CO), lequel s'avère être un gaz poison inodore et invisible. Si vous pouvez sentir les gaz du tuyau d'échappement de la génératrice, vous respirez du CO. Mais, même si vous ne pouvez pas sentir les gaz provenant du tuyau d'échappement, vous pourriez être en train de respirer du CO.

- Ne jamais utiliser une génératrice à l'intérieur d'une maison, des garages, des petits espaces, ou autres aires restreintes partiellement fermées. Des niveaux mortels de monoxyde de carbone peuvent s'accumuler dans ces aires restreintes. Utiliser un ventilateur ou ouvrir une fenêtre ou les portes NE fournissent PAS assez d'air frais à respirer.
- Utilisez SEULEMENT la génératrice à l'extérieur et loin des fenêtres ouvertes, des portes ouvertes, et des bouches d'aérations. Ces ouvertures peuvent tirer l'air provenant du tuyau d'échappement.

Même si vous utilisez une génératrice correctement, des gaz CO peuvent toujours s'infiltrer dans la maison. TOUJOURS utiliser une alarme de monoxyde de carbone à piles dans votre maison.

Si vous ressentez que vous commencez à être étourdi ou faible suite au fonctionnement de la génératrice, allez prendre l'air frais IMMÉDIATEMENT. Consultez un médecin. Vous pourriez avoir un empoisonnement au monoxyde de carbone.

## DANGER :

Une mauvaise mise à la terre du générateur peut causer une électrocution, surtout si le générateur est équipé d'un kit de roues. Le code électrique américain (National Electric Code) requiert un générateur correctement mis à la terre à une source de terre approuvée. Appeler un électricien pour connaître les exigences locales de mise à la terre.

## AVERTISSEMENT :

La familiarité avec l'appareil ne doit pas faire oublier la vigilance. Ne pas oublier qu'une fraction de seconde d'inattention peut entraîner des blessures graves.

## AVERTISSEMENT :

N'utiliser ni accessoires, ni outils non recommandés par le fabricant de ce produit. L'utilisation de pièces et accessoires non recommandés peut entraîner des blessures graves.

## APPLICATIONS

Cé générateur est conçu pour fournir une alimentation électrique pour le fonctionnement d'éclairages, d'appareils, d'outils et de charges de moteur compatibles.

## AVANT D'UTILISER L'UNITÉ

- Utiliser uniquement À L'EXTÉRIEUR et loin des fenêtres, des portes et des événements.
- NE JAMAIS utiliser à l'intérieur d'une maison ou d'un garage, MÊME SI les portes et les fenêtres sont ouvertes.
- Toujours poser la génératrice sur une surface stable et plate.

## EXIGENCES PARTICULIÈRES :

Il existe peut-être des règlements en matière de santé et sécurité au travail (OSHA aux É.-U.), des règlements ou lois locales s'appliquant à l'utilisation prévue de cette génératrice.

Veillez consulter un électricien qualifié, un inspecteur en électricité ou un organisme local connaissant les codes et les règlements locaux :

- Certaines régions obligent l'enregistrement des génératrices auprès des entreprises de service locales.
- Des règlements additionnels peuvent être imposés lorsque la génératrice est utilisée sur un chantier de construction.

## ATTENTION :

Une tentative de démarrage du moteur avant le remplissage en lubrifiant correct entraîne une panne de l'équipement.

## VÉRIFICATION/AJOUT DE LUBRIFIANT

*Voir la figure 9.*

Le lubrifiant moteur a une influence majeure sur la performance du moteur et la durée de service. De manière générale et pour toutes températures, de l'huile SAE 10W-30 est recommandée. Toujours utiliser une huile moteur à 4 temps conforme ou supérieure aux exigences de service SJ API.

**NOTE :** Des lubrifiants moteur 2 temps non détergentes endommageront le moteur et ne doivent pas être utilisées.

- Dévisser le capuchon d'huile/la jauge et les retirer.
- Essuyer la jauge et l'insérer de nouveau dans le trou sans visser.
- Retirer une nouvelle fois la jauge et vérifier le niveau de lubrifiant. Le niveau de lubrifiant doit se trouver dans la zone hachurée de la jauge.
- Si le niveau est bas, ajouter de le lubrifiant moteur jusqu'à ce que le niveau atteigne la portion supérieure sur la jauge.
- Réinstaller et serrer le bouchon d'huile/la jauge.

# UTILISATION

## VÉRIFICATION/AJOUT DE CARBURANT

Voir la figure 10.

- Retirer le bouchon du réservoir de carburant.
- Remplir le réservoir de carburant à 25 mm (1 po) en dessous du haut du goulot du réservoir de carburant.
- Replacer et serrer le bouchon.

**NOTE :** Toujours utiliser de l'essence sans plomb avec un indice d'octane de 86 ou plus. Ne jamais utiliser du carburant vieux, éventé ou contaminé et ne pas utiliser de mélange lubrifiant/carburant. Ne pas laisser la poussière ou l'eau pénétrer dans le réservoir de carburant.

## UTILISATION DE STABILISATEUR DE CARBURANT

Le carburant défraîchit, s'oxyde et se dégrade avec le temps. L'ajout de stabilisateur de carburant allonge la durée d'utilisation du carburant et permet d'éviter la formation de dépôts pouvant obstruer le circuit de carburant. Suivre les instructions du fabricant de stabilisateur de carburant pour le rapport stabilisateur/carburant correct.

- Ajouter le stabilisateur dans le réservoir de carburant puis remplir d'essence en suivant les instructions données précédemment.

**NOTE :** Le stabilisateur de carburant et l'essence peuvent être mélangés avant le remplissage en utilisant un jerrican ou un autre récipient approuvé et en secouant doucement pour mélanger.

- Replacer et serrer le bouchon.
- Mettre le moteur en marche et le faire tourner pendant au moins 5 minutes pour que le stabilisateur pénètre dans tout le circuit de carburant.

## CARBURANTS OXYGÉNÉS

**NE PAS UTILISER LE CARBURANT E85. LE NON-RESPECT DE CETTE DIRECTIVE ENTRAÎNE L'ANNULATION DE LA GARANTIE.**

**NOTE :** Les dommages au circuit de carburant et les problèmes de performance résultant de l'utilisation de carburant oxygéné contenant des pourcentages de composants oxygénés supérieurs à ceux indiqués précédemment **ne sont pas couverts par la garantie.**

**Éthanol.** L'essence contenant jusqu'à 10 % d'éthanol par volume (généralement désignée E10) est acceptable. L'essence désignée **E85 ne l'est pas.**

### ATTENTION :

Sur une surface à niveau, avec le moteur sur arrêt, vérifier le niveau d'huile avant chaque utilisation du générateur.

## MISE EN MARCHÉ DU MOTEUR

Voir les figures 10 à 12.

**NOTE :** Si l'emplacement de générateur n'est pas à niveau, l'unité peut ne pas démarrer ou peut s'arrêter durant le fonctionnement.

- Débrancher toutes les charges du générateur.
- Ouvrir le robinet de carburant.
- Écarter droit le levier d'étranglement à la position START (DÉMARRAGE).

**NOTE :** Si le moteur est chaud ou que la température est supérieure à 10 °C (50 °F), écarter gauche le levier d'étranglement sur la position RUN (MARCHE).

- Mettre le contacteur du moteur sur MARCHE (1).
- Tirer la poignée de démarrage à rappel jusqu'à ce que le moteur démarre (6 fois maximum).

**NOTE :** Ne pas laisser la poignée repartir brusquement en arrière après le démarrage. La ramener doucement à sa place d'origine.

- Laisser le moteur tourner pendant 30 secondes et mettre le levier d'étranglement sur RUN (MARCHE).

## ARRÊT DU MOTEUR

Voir les figures 11 et 12.

**Pour arrêter le moteur dans des conditions de fonctionnement normales :**

- Retirer toute charge du générateur.
- Fermer le robinet de carburant.
- Mettre le contacteur du moteur sur ARRÊT (O).

**Pour arrêter le moteur en cas d'urgence :**

- Mettre le contacteur du moteur sur ARRÊT (O).



### AVERTISSEMENT :

Pendant le fonctionnement ou lors du rangement, allouez un espace libre de 91,4 cm (3 pi) de chaque côté et au-dessus de la génératrice. Laisser refroidir l'appareil au moins 30 minutes avant de le ranger. La chaleur créée par le tuyau et les gaz d'échappement peut être suffisamment chaude pour causer des brûlures graves ou enflammer des objets combustibles.

# ENTRETIEN



## AVERTISSEMENT :

Utiliser exclusivement des pièces identiques à celles d'origine pour les réparations. L'utilisation de toute autre pièce peut créer une situation dangereuse ou endommager le produit.

Seules les pièces figurant sur la liste des pièces sont conçues pour être réparées ou remplacées par l'utilisateur. Toutes les autres pièces doivent être remplacées dans un centre de réparations agréé.

## ENTRETIEN GÉNÉRAL

Conserver le générateur dans un environnement propre et sec sans exposition à la poussière, la saleté, l'humidité ou des vapeurs corrosives. Ne pas laisser les événements de refroidissement du générateur s'obstruer avec des feuilles, de la neige, etc.

Ne pas utiliser un tuyau de jardinage pour nettoyer le générateur. De l'eau pénétrant dans le circuit de carburant ou d'autres pièces internes de l'unité peut causer des problèmes réduisant la durée de vie du générateur.

### Pour nettoyer l'unité :

- Utiliser une brosse à poils doux et/ou un aspirateur pour détacher et retirer la saleté et les débris.
- Nettoyer les événements à pression basse ne dépassant pas 25 psi.
- Essuyer les surfaces extérieures du générateur avec un chiffon humide.

## GONFLER LES PNEUS



## AVERTISSEMENT :

Pour réduire les risques de blessures, ne pas gonfler excessivement les pneus de l'unité. Pendant le gonflage, vérifier régulièrement la pression au moyen d'un manomètre pour pneus fiable, tout en s'assurant que la pression de gonflage n'excède jamais 172,4 kPa (25 psi). Toujours s'assurer que les boulons installés dans l'enjoliveur de roue sont serrés solidement avant de gonfler les pneus.

**NOTE :** Il est nécessaire de gonfler les pneus à l'aide d'une pompe manuelle en s'assurant que la pression de gonflage. Ne pas utiliser compresseur d'air.

## INSPECTION/NETTOYAGE DU FILTRE À AIR

Voir la figure 13.

Pour assurer un fonctionnement correct et une longue vie utile, garder les filtres à air propres.

- Desserrer les vis qui se trouvent sur le dessus et le dessous du couvercle du filtre à air. Retirer le couvercle et mettre de côté.
- Retirer les éléments du filtre à air.
- Si les éléments du filtre à air sont sales, les nettoyer avec de l'eau savonneuse chaude. Rincer et laisser sécher.
- Appliquer une légère couche d'huile moteur sur les éléments puis l'essorer.
- Replacer les éléments dans le filtre à air.
- Replacer le couvercle du filtre à air et resserrer les vis pour le fixer.

**NOTE :** Ne pas faire tourner le générateur sans le filtre à air. Ceci entraînerait une usure rapide du moteur.

## VIDANGE DE LE LUBRIFIANT MOTEUR

Voir la figure 14.

- Retirer le bouchon/la jauge d'huile.
- Placer un récipient sous la vis de vidange d'huile pour recueillir le lubrifiant vidangé.
- Dévisser et retirer la vis de vidange d'huile.
- Laisser le lubrifiant se vidanger complètement.
- Réinstaller la vis de vidange d'huile et bien serrer.
- Remplir de lubrifiant en suivant les instructions de la section **Vérification/ajout de lubrifiant**.
- Réinstaller le bouchon/la jauge d'huile.

**NOTE :** Le lubrifiant usé doit être éliminé auprès d'un site approuvé. Voir le détaillant d'huile local pour plus d'informations.

## ENTRETIEN DE LA BOUGIE

Voir la figure 15.

L'écartement de la bougie doit être vérifié et la bougie doit être exempte de dépôts pour que le moteur fonctionne correctement. Pour vérifier :

- Retirer le bouchon de la bougie.
- Nettoyer la saleté autour de la base de la bougie.
- Retirer la bougie à l'aide de la clé fournie (non inclus).
- Inspecter la bougie pour vérifier qu'elle n'est pas endommagée et la nettoyer avec une brosse métallique avant de la réinstaller. Si l'isolateur est fissuré ou écaillé, remplacer la bougie.

**NOTE :** Pour le remplacement, utiliser le bougie recommandées suivantes ou des bougies équivalentes : NGK BPR4ES.

# ENTRETIEN

- Mesurer l'écartement de la bougie. L'écartement correct est de 0,7-0,8 mm (0,028–0,031 po). Pour augmenter l'écartement, si nécessaire, courber avec précaution l'électrode de terre (supérieure). Pour réduire l'écartement, taper doucement l'électrode de terre sur une surface dure.
- Installer la bougie ; la visser à la main pour éviter de foirer le filetage.
- Serrer avec la clé pour comprimer la rondelle. Si la bougie est neuve, utiliser 1/2 tour pour comprimer la rondelle. Si elle est usée, utiliser 1/8 à 1/4 de tour pour comprimer la rondelle.

**NOTE :** Une bougie mal serrée devient très chaude et peut endommager le moteur.

## NETTOYAGE DE L'ORIFICE D'ÉCHAPPEMENT ET DU SILENCIEUX

Selon le type de carburant utilisé, le type et la quantité de lubrifiant utilisée et/ou les conditions d'utilisation, l'orifice d'échappement et le silencieux peuvent être obstrués par de la calamine. Si l'appareil fonctionnant avec de l'essence semble avoir perdu de la puissance, cette calamine doit être éliminée pour restaurer le fonctionnement normal. Il est vivement recommandé de confier ce travail à un technicien qualifié.

## PARE-ÉTINCELLES

*Voir la figure 16.*

- Inspecter le pare-étincelles pour des fissures ou des trous. Le remplacer au besoin. Pour se procurer un pare-étincelles de remplacement, communiquer avec le service à la clientèle de Homelite au 1-800-242-4672.
- Au besoin, utiliser une brosse pour enlever les dépôts de calamine sur l'écran du pare-étincelles.

## VIDANGE DU RÉSERVOIR DE CARBURANT/ CARBURATEUR

*Voir les figures 17 et 18.*

Afin de prévenir les dépôts de gommages dans le circuit de carburant, vidanger le carburant du réservoir et du carburateur avant de le remiser.

### VIDANGE DU RÉSERVOIR DE CARBURANT

- Mettre le contacteur du moteur sur ARRÊT ( O ).
- Turn the fuel valve to the OFF position.
- Retirer la conduite de carburant du petit robinet en serrant les extrémités de l'attache et en glissant la conduite pour la retirer.
- Installer une extrémité du tuyau de vidange sur le robinet et placer l'autre extrémité dans un récipient suffisamment large pour contenir le carburant vidangé.

- Mettre le robinet de carburant sur MARCHE.
- Lorsque le carburant est vidangé du réservoir, fermer le robinet de carburant et réinstaller la conduite sur le petit robinet.

### VIDANGE DU CARBURATEUR

- Mettre le contacteur du moteur sur arrêt ( O ).
- Mettre le robinet de carburant sur ARRÊT.
- Placer un récipient adapté sous la vis de vidange du carburateur pour recueillir le carburant ; desserrer la vis.
- Laisser le carburant se vidanger complètement dans le récipient.
- Resserrer la vis de vidange.

**NOTE :** Consulter les directives d'élimination des déchets locales pour éliminer le carburant correctement.

## REMPACEMENT DU FILTRE À ESSENCE

*Voir la figure 19.*

Parfois, le filtre à essence peut s'encrasser, et c'est pourquoi il est nécessaire de le remplacer. Pour se procurer un filtre à essence de remplacement, veuillez communiquer avec le service à la clientèle de Homelite au numéro suivant : 1-800-242-4672.

**NOTE :** Il est nécessaire de vider le réservoir à essence avant de remplacer le filtre à essence. Au besoin, faire fonctionner l'unité jusqu'à ce que le réservoir soit vide, ou examiner le filtre avant le remplissage.

### Pour remplacer :

- Régler la vanne de carburant à la position « OFF » (Arrêt).
- Retirer le conduit à essence des deux côtés du filtre en appuyant sur les extrémités de l'agrafe de butée à l'aide de pinces.
- Retirer le conduit à essence en le glissant.
- Le remplacer par un nouveau filtre à essence.
- Réinstaller les conduits à essence sur le nouveau filtre à essence.
- Tirez sur les lignes afin de s'assurer qu'ils sont garantis.
- Régler la vanne de carburant à la position « On » (Marche).

## TRANSPORT

- Mettre le contacteur du moteur sur ARRÊT ( O ).
- Mettre le robinet de carburant sur ARRÊT.
- S'assurer que le moteur et l'échappement de l'unité sont froids.
- Videz le réservoir de carburant.
- Ne pas faire chuter, heurter ou placer l'unité sous de lourds objets.



# ENTRETIEN

## REMISAGE

Lors de la préparation du générateur pour le remisage, laisser l'appareil refroidir complètement puis suivre les instructions ci-dessous.

STORAGE TIME	PRIOR TO STORING
Moins d'2 mois	<ul style="list-style-type: none"> <li>■ Vidanger l'essence du réservoir et la disposer dans un récipient adapté selon les règlements nationaux et locaux en vigueur.</li> </ul>
2 mois à 1 an	<ul style="list-style-type: none"> <li>■ Vidanger le carburant du carburateur.</li> <li>■ Vidanger l'essence du réservoir et la disposer dans un récipient adapté selon les règlements nationaux et locaux en vigueur.</li> </ul>
1 an ou plus	<ul style="list-style-type: none"> <li>■ Vidanger le carburant du carburateur.</li> <li>■ Retirer la bougie.</li> <li>■ Vidanger l'essence du réservoir et la disposer dans un récipient adapté selon les règlements nationaux et locaux en vigueur.</li> <li>■ Placer une cuillère à soupe d'huile moteur dans le cylindre de la bougie. Faire tourner lentement le moteur avec le cordon pour répartir l'huile.</li> <li>■ Réinstaller la bougie.</li> <li>■ Vidanger l'huile moteur.</li> </ul> <p>Après le remisage :</p> <ul style="list-style-type: none"> <li>■ Remplir d'essence fraîche.</li> </ul>

## CALENDRIER D'ENTRETIEN

**NOTE :** Si un autre manuel du moteur est fourni avec cette génératrice, veuillez respecter le calendrier d'entretien présenté dans le manuel du moteur au lieu de suivre les instructions d'entretien décrites ci-dessous.

	Avant chaque utilisation	Après 1 mois ou 20 heures de fonctionnement	Tous les 3 mois ou 50 heures de fonctionnement	Tous les 6 mois ou 100 heures de fonctionnement	Chaque année ou toutes les 300 heures de fonctionnement
Vérifier l'huile moteur	■				
Changer l'huile moteur		■		■	
Vérifier le filtre à air	■				
Nettoyer le filtre à air**			■		
Remplacer le filtre à air**					■
Vérifier/régler l'écartement de la bougie				■	
Remplacer la bougie					■
Vérifier/régler le ralenti					■
Vérifier/régler le jeu des soupapes*					■
Nettoyer le réservoir de carburant et le filtre*				■	
Vérifier le tube de carburant					■
Remplacer le filtre à carburant					■
Vérifier tous raccords de tuyaux et de tubes					■
Inspecter le clapet antiretour (si présent)					■
Inspecter la boîte de carbone (modèles CARB seulement)					■

\* Ceci ne doit être effectué que par un centre de réparations agréé.

\*\* Consulter le manuel du moteur pour prendre connaissance du calendrier d'entretien de cet article.

**NOTE :** L'entretien doit être effectué plus fréquemment lorsque le générateur est utilisé dans des zones poussiéreuses. Lorsque le générateur a dépassé les valeurs maximum indiquées dans le tableau, l'entretien doit continuer à être effectué selon les intervalles ou aux fréquences indiqués.

# DÉPANNAGE

PROBLÈME	CAUSE POSSIBLE	SOLUTION
Le moteur ne démarre pas.	<p>Le contacteur du moteur est sur ARRÊT.</p> <p>Pas de carburant.</p> <p>Niveau d'huile bas.</p> <p>Le robinet de carburant est ARRÊT.</p> <p>Bougie défectueuse, encrassée ou mal écartée.</p> <p>Le levier d'étranglement est en position RUN (MARCHE).</p> <p>Moteur remisé sans traitement ou vidange de l'essence, ou plein fait avec un mauvais carburant.</p>	<p>Mettre le contacteur du moteur sur MARCHE.</p> <p>Remplir le réservoir de carburant.</p> <p>Vérifier le niveau d'huile moteur et faire l'appoint si nécessaire.</p> <p>Mettre le robinet de carburant sur MARCHE.</p> <p>Remplacer la bougie.</p> <p>Tirer le levier de l'étrangleur sur FERMÉ.</p> <p>Vidanger le carburant et le carburateur.</p> <p>Remplir d'essence fraîche.</p>
Le moteur manque de puissance.	<p>Élément du circuit de carburant obstrués.</p> <p>Moteur remisé sans traitement ou vidange de l'essence, ou plein fait avec un mauvais carburant.</p>	<p>Vérifier l'élément du filtre à air. Nettoyer ou remplacer selon le besoin.</p> <p>Vidanger le carburant et le carburateur.</p> <p>Remplir d'essence fraîche.</p>
La prise c.a. ne fonctionne pas.	<p>Disjoncteur déclenché.</p> <p>L'appareil branché est défectueux.</p>	<p>Enclencher le disjoncteur c.a.</p> <p>Essayer un autre article.</p>
Le générateur émet un cognement ou un cliquettement.	<p>Un cognement ou un cliquettement sous une lourde charge est normal. Cependant, s'il a lieu sous une charge normale à un régime moteur régulier, le problème peut provenir de la marque de carburant utilisée.</p>	<p>Choisir une autre marque et s'assurer que l'indice d'octane est supérieur ou égal à 86. Si le problème continue, contacter le centre de réparations agréé le plus proche.</p>
<p>Si le problème persiste après avoir essayé les solutions ci-dessus, contacter le centre de réparations agréé le plus proche pour obtenir de l'aide.</p>		
<p>Les symptômes suivants peuvent indiquer des problèmes affectant le niveau d'émissions de l'unité :</p> <ul style="list-style-type: none"> <li>■ Démarrage difficile ou calage après le démarrage</li> <li>■ Ralenti irrégulier</li> <li>■ Ratés ou retours de flamme sous charge</li> <li>■ Post-combustion (retours de flamme)</li> <li>■ Fumée d'échappement noire ou consommation de carburant élevée</li> </ul> <p>En cas de présence d'un de ces symptômes, faire inspecter l'unité et la faire réparer par le centre de réparations agréé le plus proche.</p>		

# GARANTIE

## GARANTIE LIMITÉE

### COUVERTURE DE LA GARANTIE

Homelite Consumer Products, Inc. (l'entreprise) garantit à l'acheteur original au détail que ce produit de marque Homelite est exempt de tout vice de matériau ou de fabrication et s'engage à réparer ou remplacer, à discrétion, tout produit s'avérant défectueux au cours des périodes indiquées ci-dessous, à compter de la date d'achat :

- **Trois ans** sur les produits utilisés uniquement par des particuliers;
- Un an sur les produits à des fins d'utilisation professionnelle ou commerciale.

Cette garantie s'applique uniquement aux produits vendus aux États-Unis, dans le district fédéral de Columbia, au Canada, au Mexique, à Puerto Rico, dans les îles Vierges, ou Guam.

Cette garantie n'est pas transférable et ne couvre pas les dommages attribuables à des vices autres que les vices de matériau ou de fabrication, ou les dommages liés à une utilisation abusive, ce qui inclut l'omission de faire subir au produit un entretien raisonnable.

### **Les éléments suivants ne sont pas couverts par la garantie :**

- Les frais de transport requis pour envoyer le produit à l'entreprise ou à son représentant autorisé du service à la clientèle en vue de procéder à l'entretien sous garantie du produit, ou pour réexpédier le produit au client à la suite de sa réparation ou de son remplacement. Il incombe à l'acheteur original d'assumer ces frais.
- Les dommages attribuables à une utilisation abusive, à un accident, à une mauvaise utilisation, à de la négligence, à une modification, aux effets de la corrosion ou de l'érosion, à l'usure normale ou à des réparations effectuées par quiconque autre que le personnel de l'entreprise ou de son représentant autorisé du service à la clientèle.
- En outre, la présente garantie exclut :
  - Les réglages – bougies, carburateur, réglages du carburateur, allumage, filtres, vidange d'huile
  - Les articles soumis à l'usure - cordon du démarreur à rappel, charbons du moteur, goupilles fendues, roues

La garantie est considérée comme nulle si le produit n'est pas installé, entretenu et utilisé conformément aux instructions et aux recommandations de l'entreprise, qui sont décrites dans le manuel d'utilisation du produit. La garantie s'annule également si le produit est utilisé à des fins de location.

L'entreprise n'assumera en aucun cas les frais liés à la réparation ou à l'ajustement du produit, ou les coûts associés à des tâches pour lesquelles elle n'a pas donné son consentement.

### CONSERVER LES FACTURES

Une preuve d'achat sous la forme d'un reçu de vente ou de caisse daté est requise pour que l'entreprise ou ses représentants autorisés du service à la clientèle puissent procéder à l'entretien sous garantie du produit.

### EXCLUSIONS ET LIMITES

**CETTE GARANTIE LIMITÉE REMPLACE TOUTES LES AUTRES GARANTIES EXPRESSES.** LA DURÉE DE TOUTE GARANTIE IMPLICITE DE QUALITÉ MARCHANDE, DE QUALITÉ DE CONVENANCE À DES FINS PARTICULIÈRES OU DE TOUT AUTRE COUVERTURE APPLICABLE À CE PRODUIT NE PEUT EXCÉDER LA DURÉE DE LA PRÉSENTE GARANTIE. L'ENTRETIEN SOUS GARANTIE DÉCRIT PRÉCÉDEMMENT CONSTITUE LE SEUL RECOURS PRÉVU AUX TERMES DE LA GARANTIE. L'ENTREPRISE NE PEUT ÊTRE TENUE RESPONSABLE POUR AUCUN DOMMAGE SPÉCIAL, INDIRECT OU CONSÉCUTIF.

CERTAINS ÉTATS ET CERTAINES PROVINCES NE PERMETTENT PAS D'EXONÉRATION OU DE RÉSERVE POUR CE QUI EST DE LA COUVERTURE DES DOMMAGES DIRECTS OU CONSÉCUTIFS ET DE LA DURÉE DE TOUTE GARANTIE IMPLICITE; IL SE PEUT DONC QUE L'EXONÉRATION PRÉCÉDENTE NE PUISSE S'APPLIQUER.

### COMMENT BÉNÉFICIER D'UN ENTRETIEN SOUS GARANTIE

**Pour bénéficier d'un entretien sous garantie, composer sans frais le 1-800-242-4672 ou communiquer par écrit à l'adresse suivante : Homelite Consumer Products, Inc., 1428 Pearman Dairy Road, Anderson, SC 29625.**

**Pour bénéficier d'un entretien sous garantie à l'extérieur des États Unis, veuillez communiquer avec le concessionnaire local des produits Homelite.**

# GARANTIE

## Yamaha Motor Corporation USA Petits équipements hors route à allumage commandé Garantie limitée et conformité aux normes de L'EPA

Yamaha Motor Corporation, USA, par les présentes, garantit que tout moteur neuf de petits équipements hors route à allumage commandé (SORE), acheté auprès d'un concessionnaire de moteurs Yamaha SORE autorisé dans zone continentale des États-Unis, sera exempt de tout vice de fabrication ou de matériel, pour la période prévue aux présentes, sous réserve des limites qui y sont énoncées.

Durée de la garantie – Tout moteur neuf de petits équipements hors route à allumage commandé Yamaha SORE acheté à des fins personnelles, non commerciales auprès d'un concessionnaire de moteurs Yamaha SORE autorisé dans zone continentale des États-Unis sera garanti contre tout vice de fabrication ou de matériel, pour une période de deux (2) ans à compter de la date d'achat, et sera assujéti aux exclusions énumérées ci-dessous.

Tout moteur Yamaha SORE acheté et utilisé à des fins commerciales sera garanti pour une période d'un (1) an à compter de la date d'achat, et sera assujéti aux exclusions énumérées ci-dessous.

Tout moteur Yamaha SORE utilisé à des fins de location sera garanti pour une période de quatre-vingt-dix (90) jours à compter de la date d'achat, et sera assujéti aux exclusions énumérées ci-dessous

Pendant la période couverte par la garantie, tout atelier de réparation autorisé Yamaha SORE réparera, ou remplacera, sans frais, au choix de Yamaha, toute pièce jugée défectueuse par Yamaha en raison de tout vice de fabrication ou de matériel d'origine. Les pièces utilisées lors de réparations couvertes par la garantie seront garanties pour le reste de la période de garantie initiale. Toutes les pièces remplacées en vertu de la présente garantie deviendront la propriété exclusive de Yamaha Motor Corporation USA.

Garantie contre les émissions – Les pièces se rapportant au système de contrôle d'émissions seront garanties pour une période de 2 ans sans égard à leur usage commercial ou non.

On entend par exclusions générales à la présente garantie, tout défaillance causée par :

- a. L'installation de pièces ou d'accessoires qui ne sont pas de qualité équivalente aux pièces d'origine Yamaha.
- b. Tension anormale, négligence ou abus.
- c. Manque d'entretien adéquat.
- d. Dommage dû à un accident ou une collision.

On entend par exclusions spécifiques de la présente garantie le remplacement de toute pièce en raison de l'usure normale ou de l'entretien régulier.

Il sera de la responsabilité du client, en vertu de la présente garanti :

1. d'utiliser et d'entretenir le moteur SORE tel que spécifié dans le manuel du propriétaire approprié.
2. d'aviser un atelier de réparation autorisé Yamaha SORE de toute défectuosité apparente dans les dix (10) jours après leur découverte, et d'assurer la disponibilité de l'appareil au moment de l'inspection et des réparations tel que demandé par l'atelier de réparation Yamaha SORE.

Pour trouver un atelier de réparation de moteur autorisé Yamaha SORE, composez le 1-866-788-7398.

Transfert de garantie : Pour transférer la garantie de l'acheteur primitif à un acheteur postérieur, veuillez composer le 1-866-788-7398 afin de connaître les procédures nécessaires. Dans aucun cas, la garantie sera prolongée au-delà de sa période originale.

Yamaha Motor Corporation USA n'assume aucune autre garantie, expresse ou implicite. Toutes les garanties implicites de qualité marchande et de convenance pour un usage particulier qui dépasse l'obligation et les délais prescrits énoncés dans cette garantie sont expressément désavouées par Yamaha Motor Corporation USA et exclues de la présente garantie.

Certains états ou provinces ne permettant pas de limitation de durée des garanties implicites, les restrictions ci-dessus peuvent ne pas être applicables. Aussi exclus de cette garantie sont les dommages directs et indirects, dont la perte de jouissance. Certains états ou provinces ne permettant pas l'exclusion ou la limitation des dommages directs ou indirects, les restrictions ci-dessus peuvent ne pas être applicables.

La présente garantie donne au consommateur des droits spécifiques, et celui-ci peut bénéficier d'autres droits, qui varient selon les états ou provinces.

Yamaha Motor Corporation, USA  
1-866-788-7398

# ÍNDICE DE CONTENIDO

■ Introducción .....	2
■ Instrucciones de seguridad importantes .....	3-4
■ Reglas de seguridad específicas .....	4
■ Símbolos .....	5-7
■ Aspectos eléctricos .....	8-9
■ Características .....	10
■ Armado .....	11-12
■ Funcionamiento .....	13-14
■ Mantenimiento .....	15-17
■ Corrección de problemas .....	18
■ Garantía .....	19-21
■ Pedidos de piezas / Servicio .....	Pág. posterior

## INTRODUCCIÓN

Este producto ofrece numerosas características que hacen el uso del mismo más placentero y agradable. En el diseño de este producto se ha conferido prioridad a la seguridad, al desempeño y la fiabilidad, por lo cual se facilita su manejo y mantenimiento.



### PELIGRO:

#### CONEXIÓN A TIERRA DEL GENERADOR

Para reducir el riesgo de descarga o electrocución, el generador debe conectarse a tierra correctamente. Siempre debe utilizarse la tuerca y el terminal de conexión a tierra del bastidor para conectar el generador a una fuente apropiada de conexión a tierra. La conexión a tierra debe realizarse con alambre calibre N° 8. Conecte el terminal del alambre de conexión a tierra entre la arandela y la tuerca, y apriete firmemente la tuerca. Conecte el otro extremo del alambre firmemente a una fuente apropiada de conexión a tierra.

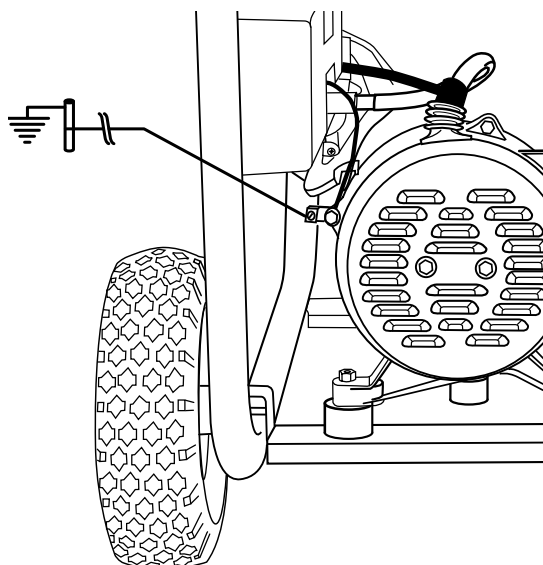
El Código Eléctrico Nacional especifica varias maneras prácticas para establecer una buena fuente de conexión a tierra. Si se utiliza una barra de acero o de hierro, éste debe ser de 15,9 mm (5/8 pulg.) de diámetro, y si se utiliza una barra no ferrosa, ésta debe ser de 13 mm (1/2 pulg.) de diámetro como mínimo y estar listada como material adecuado para conexión a tierra. Hínque la barra o tubo hasta una profundidad de 2,44 m (8 pies). Si se encuentra roca sólida a menos de 1,22 m (4 pies) de profundidad, entierre la barra o tubo en una zanja.

Todas las herramientas eléctricas y aparatos alimentados por este generador deben conectarse apropiadamente a tierra mediante el uso de un tercer alambre o tener un diseño con “doble aislamiento”.

Se recomienda:

1. Usar dispositivos eléctricos con clavija de tres patillas conectada a tierra.
2. Para asegurar la continuidad de la protección a tierra del generador al dispositivo, utilice un cordón de extensión con un receptáculo de tres orificios en un extremo y una clavija de tres patillas en el otro.

Revise y cumpla con todas las reglas federales, estatales y locales relevantes en relación con las especificaciones de conexión a tierra. Consulte a un electricista calificado o técnico de servicio si no ha comprendido completamente las instrucciones de conexión a tierra o si no está seguro si el generador está conectado a tierra correctamente.



# INSTRUCCIONES DE SEGURIDAD IMPORTANTES

## PELIGRO:

**Monóxido de carbono.** Usar un generador en el interior LO MATARÁ EN POCOS MINUTOS.

Los gases de escape del generador contienen niveles altos de monóxido de carbono (CO), un gas venenoso que no puede verse ni olerse. Si puede oler los gases de escape del generador, está respirando CO. Pero incluso si no puede oler los gases de escape, es posible que esté respirando CO.

- Nunca use un generador dentro de su hogar, garaje, sótano, ni demás espacios parcialmente encerrados. En dichos espacios, pueden acumularse niveles mortales de monóxido de carbono. Usar un ventilador o abrir puertas y ventanas NO proporciona suficiente aire fresco.
- SÓLO utilice el generador al aire libre y lejos de ventanas, puertas y respiraderos abiertos. Estas aberturas pueden atraer los gases de escape del generador.

Incluso si utiliza el generador correctamente, el CO puede ingresar en su hogar. SIEMPRE utilice una alarma de CO de pilas o con pilas de respaldo en su hogar.

Si comienza a sentirse descompuesto, mareado o débil luego de que el generador estuvo funcionando, trasládese adonde haya aire fresco INMEDIATAMENTE. Vea a un doctor. Puede sufrir intoxicación por monóxido de carbono.

## ADVERTENCIA:

**Lea y comprenda todas las instrucciones.** El incumplimiento de cualquiera de las instrucciones siguientes puede causar electrocución, incendio o intoxicación por monóxido de carbono, lo cual puede causar la muerte o lesiones graves.

## ADVERTENCIA:

El Reglamento Nacional de Electricidad exige que el generador esté conectado a una tierra aprobada. Antes de utilizar la terminal de tierra, consulte a un electricista calificado, inspector de instalaciones eléctricas u organismo gubernamental de la localidad en lo referente a las reglas y disposiciones relacionadas con el uso deseado del generador.

## GUARDE ESTAS INSTRUCCIONES

Este manual contiene importantes instrucciones para este producto, que se deben seguir durante la instalación y las actividades de mantenimiento del generador y las baterías.

- No conecte la unidad al sistema eléctrico de un edificio a menos que el generador y el interruptor de transferencia se hayan instalado correctamente y que un electricista calificado haya verificado la salida de energía eléctrica.
- No permita que utilicen esta unidad niños ni personas carentes de la debida instrucción para su manejo.
- Nunca arranque ni accione el motor dentro de un área total o parcialmente cerrada. La inhalación de las emanaciones del escape puede ser mortal.
- Mantenga a todos los circunstantes, niños y animales por lo menos a 3 m (10 pies) de distancia.

- Use botas o zapatos robustos y secos. No utilice la unidad estando descalzo.
- No utilice este generador cuando se encuentre fatigado, enfermo o bajo los efectos de drogas, alcohol o medicamentos.
- Mantenga todas las partes del cuerpo alejadas de toda pieza móvil y superficie caliente de la unidad.
- No toque cables ni receptáculos desprovistos de aislamiento.
- No utilice el generador con cordones de corriente gastados, deshilachados, pelados o dañados de cualquier forma.
- Antes de guardar la unidad, deje que se enfríe el motor y retire el combustible de la unidad.
- No utilice o guarde el generador en la lluvia, nieve o tiempo húmedo.
- Guarde el generador en un lugar bien ventilado y con el tanque de combustible vacío. El combustible no se debe guardar cerca del generador.
- Antes de transportar la unidad en un vehículo, vacíe el tanque de combustible, cierre la válvula del combustible e inmovilice aquélla.
- Deje enfriar el motor durante cinco minutos antes de reabastecerlo de gasolina.
- Para reducir el riesgo de incendio o de lesiones por quemadura, maneje con cuidado el combustible. Es sumamente inflamable.
- No fume mientras esté mezclando el combustible o reabasteciendo el tanque.
- Almacene el combustible en un recipiente aprobado para gasolina.
- Coloque la unidad sobre el piso nivelado, apague el motor, y deje que se enfríe antes de reabastecerlo de combustible.
- Afloje la tapa del tanque de combustible para aliviar la presión y para evitar que se escape combustible por la tapa.
- Después de reabastecer de combustible la unidad ponga la tapa y apriétela firmemente.
- Limpie todo el combustible que se haya derramado de la unidad.
- Nunca intente en ninguna circunstancia eliminar el combustible derramado quemándolo.
- Los generadores vibran durante el uso normal. Durante y después del uso del generador, inspeccione el generador, así como los cordones de extensión y los cordones de corriente conectados a éste, para ver si tienen daños causados por la vibración. Deben repararse o reemplazarse los artículos dañados, según sea necesario. No use enchufes ni cordones que muestren señales de daño, como roturas o agrietamientos en el aislamiento, o daño en las espigas.
- Los generadores fijos instalados de manera permanente son la mejor alternativa para abastecer de electricidad al hogar durante los cortes de energía. Incluso los generadores portátiles que están conectados correctamente pueden sobrecargarse. De esta manera, los componentes del generador pueden recalentarse o exigirse demasiado, lo que podría producir una falla en el generador.

# INSTRUCCIONES DE SEGURIDAD IMPORTANTES

- Use únicamente repuestos y accesorios autorizados y siga las instrucciones descritas en la sección de *Mantenimiento* de este manual. El empleo de piezas no autorizadas o el incumplimiento de las instrucciones de mantenimiento puede significar un riesgo de descarga eléctrica o de lesiones.
- Mantenga la unidad según las instrucciones de mantenimiento señaladas en este manual del operador.
- Inspeccione cada vez la unidad antes de usarla para ver si tiene tornillos flojos, fugas de combustible, etc. Reemplace toda pieza dañada.

## REGLAS DE SEGURIDAD ESPECÍFICAS



### ADVERTENCIA:

**Cuando este generador se utiliza para abastecer el sistema de cableado de un edificio:** un electricista calificado debe instalar el generador, que debe conectarse a un interruptor de transferencia como un sistema derivado independiente, de conformidad con el Reglamento Nacional de Electricidad (NFPA 70). El generador se conectará a través de un interruptor de transferencia que controla todos los conductores, excepto el conductor de conexión a tierra del equipo. El bastidor del generador debe conectarse a un electrodo de conexión a tierra aprobado. Si no se aísla el generador de las líneas de alto voltaje puede causarse la muerte o lesiones a los trabajadores de dichas líneas.

- No utilice este generador para suministrar energía a dispositivos de soporte vital o equipos médicos de emergencia.
- Las emanaciones del escape contienen monóxido de carbono, un gas tóxico incoloro e inodoro. La inhalación de las emanaciones del escape puede causar la pérdida de la conciencia e incluso la muerte. Si se utiliza la unidad en un área total o parcialmente cerrada, el aire puede contener una cantidad peligrosa de monóxido de carbono. Para evitar la acumulación de las emanaciones del escape, siempre asegúrese de que haya ventilación suficiente.
- Siempre use un detector de monóxido de carbono de baterías al utilizar el generador. Si comienza a sentirse mal, mareado o débil al estar utilizando el generador, apáguelo y respire aire fresco de inmediato. Vea a un doctor. Puede sufrir intoxicación por monóxido de carbono.
- Coloque el generador en una superficie estable horizontal.
- Utilice la unidad en un área bien ventilada e iluminada, aislada de las áreas de trabajo para evitar la interferencia del ruido.
- Si se utiliza el generador en condiciones húmedas, puede causarse una electrocución. Mantenga seca la unidad.
- Mantenga el generador a una distancia mínima de 910 mm (3 pies) de todo tipo de material combustible.
- No utilice el generador cerca de materiales peligrosos.
- No utilice el generador en una estación de abastecimiento de gasolina o gas natural.
- No toque el silenciador ni el cilindro durante el funcionamiento de la unidad ni inmediatamente después; están CALIENTES y causan lesiones por quemadura.
- Este generador tiene un punto neutro conectado a tierra. Esto significa que el conductor neutro está conectado por vías eléctricas al marco de la máquina.
- No permita que se derrame el tanque del generador al abastecerlo de gasolina. Llénelo hasta una altura de 25,4 mm (1 pulg.) abajo del cuello del tanque de gasolina para permitir la expansión del combustible. Revise el orificio de ventilación del interior del tanque de combustible para ver si tiene basura. No bloquee el respiradero.
- No fume mientras abastece de gasolina el generador.
- Apague el motor y déjelo enfriar por completo antes de agregar gasolina o lubricante al generador.
- No retire la varilla de nivel de aceite ni la tapa del tanque del combustible mientras esté funcionando el motor.
- Preste atención en particular a todas las etiquetas de seguridad adheridas al generador.
- En todo momento mantenga a los niños a una distancia mínima de 3 m (10 pies) del generador.
- La unidad funciona mejor a una temperatura entre -5 y 40 °C (23 y 104 °F) con una humedad relativa de 90% o menos.
- Es necesario modificar el generador si va a utilizarse **siempre** a una altitud superior a 1524 metros (5000 pies). Comuníquese con el centro de servicio autorizado de su preferencia si necesita más información y para que realicen tales modificaciones.
- El requerimiento de voltaje y frecuencia operativa de todos los equipos electrónicos debe comprobarse antes de enchufarlos a este generador. Pueden ocurrir daños si el equipo no está diseñado para operar dentro de una variación de voltaje de +/-10% y una variación de frecuencia de +/-3 hz de los valores nominales que aparecen en la placa de identificación del generador. A fin de evitar daños, siempre tenga una carga adicional enchufada al generador en caso de usarse equipos de estado sólido (tales como un aparato de televisión). También podría resultar necesario un acondicionador de la línea eléctrica para algunas aplicaciones; por ejemplo, con una computadora. También podría resultar necesario un acondicionador de la línea eléctrica para algunas aplicaciones de equipo de estado sólido.
- Para el uso en el exterior solamente.
- Guarde estas instrucciones. Consúltelas con frecuencia y empléelas para instruir a otras personas que puedan utilizar esta producto. Si presta a alguien esta producto, facilítele también las instrucciones.

# SÍMBOLOS

Las siguientes palabras de señalización y sus significados tienen el objeto de explicar los niveles de riesgo relacionados con este producto.

SÍMBOLO	SEÑAL	SIGNIFICADO
	<b>PELIGRO:</b>	Indica una situación peligrosa inminente, la cual, si no se evita, causará lesiones graves o mortales.
	<b>ADVERTENCIA:</b>	Indica una situación peligrosa posible, la cual, si no se evita, podría causar lesiones graves o mortales.
	<b>PRECAUCIÓN:</b>	Indica una situación peligrosa posible, la cual, si no se evita, podría causar lesiones menores o leves.
	<b>PRECAUCIÓN:</b>	(Sin el símbolo de alerta de seguridad) Indica una situación que puede producir daños materiales.

Es posible que se empleen en este producto algunos de los siguientes símbolos. Le suplicamos estudiarlos y aprender su significado. Una correcta interpretación de estos símbolos le permitirá utilizar mejor y de manera más segura el producto.

SÍMBOLO	NOMBRE	DENOMINACIÓN / EXPLICACIÓN
	Alerta de seguridad	Precauciones relacionadas a su seguridad.
	Lea el manual del operador	Para reducir el riesgo de lesiones, el usuario debe leer y comprender el manual del operador antes de usar este producto.
	Alerta de condiciones húmedas	No exponga la unidad a la lluvia ni la use en lugares húmedos.
	Descarga eléctrica	Si no se usa la unidad en condiciones secas y no se observan prácticas seguras de trabajo, puede producirse una descarga eléctrica.
	Emanaciones tóxicas	Con el funcionamiento del generador se emite monóxido de carbono, un gas tóxico incoloro e inodoro. Si se inhala monóxido de carbono puede causarse náusea, desmayo o la muerte.
	Fuego / Explosión	El combustible y los vapores del mismo son extremadamente inflamables y explosivos. El fuego o una explosión pueden causar quemaduras graves e incluso la muerte.
	Superficie caliente	Para reducir el riesgo de lesiones corporales o daños materiales evite tocar toda superficie caliente.
	Peligro al levantar	Para reducir el riesgo de lesiones serias, evite intentar levantar el generador usted solo.
	Conexión a tierra	Consulte a un electricista de la localidad para determinar los requisitos de conexión a tierra antes de utilizar la unidad.
	Electrocución	El incumplimiento de conectar correctamente a tierra el generador puede resultar en electrocución, especialmente si el generador está equipado con un conjunto de disco.









# SÍMBOLOS


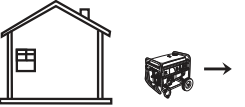
## AUTOCOLLANTS DE SÉCURITÉ

Les informations ci-dessous se trouvent sur le générateur. Pour des raisons de sécurité, étudier et comprendre tous les autocollants avant de mettre le générateur en marche. Si un autocollant se détache ou devient illisible, contacter le centre de réparations agréé pour obtenir un autocollant de rechange.

- Ne pas procéder de la manière décrite dans ce manuel d'utilisation entraînera des BLESSURES GRAVES voire la MORT.
- Risque d'incendie. Ne pas ajouter de carburant pendant l'utilisation de l'appareil.
- Le générateur est une source potentielle de chocs électriques. Ne pas exposer à l'humidité, la pluie ou la neige. Ne pas utiliser les mains ou les pieds mouillés.

- L'échappement contient le gaz monoxyde de carbone toxique qui peut causer l'inconscience ou la MORT les secteurs bien ventilés et extérieurs loin d'ouvre des fenêt ou des portes.
- Une mauvaise mise à la terre du générateur peut causer une électrocution, surtout si le générateur est équipé d'un kit de roue.
- Ne pas exposer à la pluie ou l'humidité.
- L'utilisation d'une génératrice à l'intérieur PEUT VOUS TUER EN QUELQUES MINUTES. Les génératrices produisent du monoxyde de carbone, un gaz mortel incolore et inodore.
- NE JAMAIS utiliser à l'intérieur d'une maison ou d'un garage, MÊME SI les portes et les fenêtres sont ouvertes.
- Utiliser uniquement À L'EXTÉRIEUR et loin des fenêtres, des portes et des événements.

⚠ DANGER ⚠ DANGER ⚠ PELIGRO			
 <p>You WILL be KILLED or SERIOUSLY HURT if you do not follow the Operator's Manual instructions. Ne pas procéder de la manière décrite dans ce Manuel d'utilisation entraînera des BLESSURES GRAVES voire la MORT. SE MATARÁ o LESIONARÁ GRAVEMENTE si no sigue las instrucciones del Manual del operador.</p>	 <p>Risk of fire. Do not add fuel while the product is operating. Risque d'incendie. Ne pas ajouter de carburant pendant l'utilisation de l'appareil. Riesgo del incendio. No agregue combustible cuando el producto está funcionando.</p>	 <p>Generator is a potential source of electric shock. Do not expose to moisture, rain, or snow. Do not operate with wet hands or feet. Le générateur est une source potentielle de chocs électriques. Ne pas exposer à l'humidité, la pluie ou la neige. Ne pas utiliser avec les mains ou les pieds mouillés. El generador es una fuente de descarga eléctrica. No lo exponga a humedad, la lluvia, ni a la nieve. No opere con manos o pies húmedos.</p>	 <p>Exhaust contains poisonous carbon monoxide gas that can cause unconsciousness or DEATH. Operate in well ventilated, outdoor areas away from open windows or doors. L'échappement contient le gaz monoxyde de carbone toxique qui peut causer l'inconscience ou la MORT. Fonctionner dans les secteurs bien ventilés et extérieurs loin d'ouvre des fenêtres ou des portes. El escape contiene gas venenoso de monóxido de carbono que puede causar pérdida del conocimiento o MUERTE. Opere en áreas exteriores bien ventiladas lejos de puertas o ventanas abiertas.</p>
			 <p>Failure to properly ground generator can result in electrocution, especially if the generator is equipped with a wheel kit. Une mauvaise mise à la terre du générateur peut causer une électrocution, surtout si le générateur est équipé d'un kit de roue. La omisión de conectar a tierra adecuadamente el generador puede resultar en electrocución, especialmente si el generador está equipado con un kit de ruedas.</p>
		 <p>Do not expose to rain or use in damp locations. Ne pas exposer à la pluie ou l'humidité. No exponga a la lluvia ni use en lugares húmedos.</p>	

⚠ DANGER		⚠ DANGER		
<p>Using a generator indoors CAN KILL YOU IN MINUTES. Generator exhaust contains carbon monoxide. This is a poison you cannot see or smell.</p>		<p>L'utilisation d'une génératrice à l'intérieur PEUT VOUS TUER EN QUELQUES MINUTES. Les génératrices produisent du monoxyde de carbone, un gaz mortel incolore et inodore. NE JAMAIS utiliser à l'intérieur d'une maison ou d'un garage, MÊME SI les portes et les fenêtres sont ouvertes. Utiliser uniquement À L'EXTÉRIEUR et loin des fenêtres, des portes et des événements.</p>		
 <p>NEVER use inside a home or garage, EVEN IF doors and windows are open.</p>		 <p>Only use OUTSIDE and far away from windows, doors, and vents.</p>		
		<th>⚠ PELIGRO</th>		⚠ PELIGRO
		<p>Usar un generador en el interior PUEDE MATARLO EN POCOS MINUTOS. Los gases de escape del generador contienen monóxido de carbono. Es un veneno que no puede verse ni olerse. NUNCA lo use dentro de su hogar o del garaje, INCLUSO con las puertas y las ventanas abiertas. Sólo utilícelo AL AIRE LIBRE y lejos de ventanas, puertas y respiraderos.</p>		

# SÍMBOLOS

## AVERTISSEMENT CONCERNANT LE CARBURANT

Ne pas fumer lors du plein. Ne pas trop remplir. Le plein est obtenu à 25 mm (1 po) en dessous du haut du goulot de remplissage. Arrêter le moteur pendant cinq minutes avant de faire le plein pour éviter que la chaleur du silencieux n'allume les vapeurs de carburant.

**⚠ DANGER ⚠ DANGER ⚠ PELIGRO**

 Risk of Fire. Check for any fuel overflow or leaking. Stop the engine before refueling.  
 Risque d'incendie. Vérifier l'absence de débordement ou de fuite de carburant. Arrêter le moteur avant de faire le plein.  
 Riesgo de incendio. Revisar si hay algún derrame o fuga de combustible. Apague el motor antes de poner combustible.

940974007-04

## AVERTISSEMENT CONCERNANT LE LUBRIFIANT MOTEUR

Ajouter de le lubrifiant avant l'utilisation initiale du générateur. La contenance du réservoir est de 1,0 l (1,1 quart). Toujours vérifier le niveau de lubrifiant avant chaque utilisation. Le niveau de lubrifiant doit toujours se trouver dans la zone hachurée de la jauge.

 Add lubricant to full mark to start. Engine will not start or will shut off if lubricant is too low.  
 Ajouter de lubrifiant jusqu'au repère de remplissage pour démarrer. Le moteur ne démarrera pas ou s'arrêtera si le niveau de lubrifiant est bas.  
 Añada lubricante hasta la marca de lleno para arrancar. El motor no arrancará o se apagará si el nivel de lubricante está demasiado bajo.

940708007-03

## MISE À LA TERRE - AVERTISSEMENT

Le code électrique américain (National Electric Code) requiert que le générateur soit mis à la terre par l'intermédiaire d'une source de terre approuvée.

**⚠ WARNING ⚠ AVERTISSEMENT ⚠ ADVERTENCIA**

Product does not include ground rod or copper wire. National Electric Code requires generator to be properly grounded to an approved earth ground. Call an electrician for local grounding requirements.  
 Le produit ne comprend pas de piquet de terre ou de fil en cuivre. Le code électrique américain (National Electric Code) requiert un générateur pour une bonne mise à la terre approuvée. Appeler un électricien pour connaître les exigences locales de mise à la terre.  
 El producto no incluye el alambre de cobre ni la barra de conexión a tierra. Los Reglamentos Nacionales de Electricidad exigen que el generador esté debidamente conectado a una tierra aprobada. Comuníquese con un electricista para todo lo relacionado con los requisitos de conexión a tierra.

## AVERTISSEMENT CONCERNANT LES SURFACES BRÛLANTES

Ne pas toucher le silencieux ou le cylindre en aluminium du moteur. Ils sont BRÛLANTS et peuvent causer de graves brûlures. Ne mettre aucun matériau inflammable ou combustible sur le chemin direct de l'échappement.

**⚠ WARNING**  
**HOT SURFACE**  
**⚠ AVERTISSEMENT**  
**SURFACE TRÈS CHAUDE**  
**⚠ ADVERTENCIA**  
**SUPERFICIE CALIENTE**



940680021-03

# ASPECTOS ELÉCTRICOS

## CALIBRE DEL CORDÓN DE EXTENSIÓN

Consulte el cuadro mostrado abajo para asegurarse de que el calibre de los cordones de extensión que utilice puedan con la carga eléctrica requerida. Los cordones de calibre insuficiente pueden causar una caída de voltaje, lo cual puede quemar el dispositivo y recalentar el cordón mismo.

Corriente en Amperios	Carga en vatios		Longitud máxima permitida del cordón				
	A 120 V	A 240 V	Conduct. #8	Conduct. #10	Conduct. #12	Conduct. #14	Conduct. #16
2,5	300	600		305 m (1000 pies)	183 m (600 pies)	114 m (375 pies)	76 m (250 pies)
5	600	1200		152 m (500 pies)	91 m (300 pies)	61 m (200 pies)	38 m (125 pies)
7,5	900	1800		107 m (350 pies)	61 m (200 pies)	38 m (125 pies)	31 m (100 pies)
10	1200	2400		76 m (250 pies)	46 m (150 pies)	31 m (100 pies)	15 m (50 pies)
15	1800	3600		46 m (150 pies)	31 m (100 pies)	20 m (65 pies)	
20	2400	4800	53 m (175 pies)	38 m (125 pies)	23 m (75 pies)		
25	3000	6000	46 m (150 pies)	31 m (100 pies)			
30	3600	7200	38 m (125 pies)	20 m (65 pies)			
40	4800	9600	27 m (90 pies)				

# ASPECTOS ELÉCTRICOS

## CARGAS DE MOTORES ELÉCTRICOS

Es característico en el funcionamiento normal de los motores eléctricos comunes consumir durante el arranque hasta seis veces su corriente de operación. Esta tabla puede emplearse para estimar la potencia necesaria (en vatios) para arrancar los motores eléctricos de “Código G”; no obstante, si un motor eléctrico no arranca o no alcanza la velocidad de funcionamiento, apague el dispositivo o herramienta de inmediato para evitar dañar el equipo. Siempre verifique los requisitos de la herramienta o aparato con la salida nominal del generador.

Capacidad del motor (H.P.)	Potencia en marcha (vatios)	Potencia necesaria para arrancar el motor (vatios)		
		Inducción de repulsión	Capacitor	Fase dividida
1/8	275	600	850	1200
1/6	275	600	850	2050
1/4	400	850	1050	2400
1/3	450	975	1350	2700
1/2	600	1300	1800	3600
3/4	850	1900	2600	—
1	1100	2500	3300	—

### PRECAUCIÓN:

El requerimiento de voltaje y frecuencia operativa de todos los equipos electrónicos debe comprobarse antes de enchufarlos a este generador. Pueden ocurrir daños si el equipo no está diseñado para operar dentro de una variación de voltaje de +/-10% y una variación de frecuencia de +/-3 hz de los valores nominales que aparecen en la placa de identificación del generador. A fin de evitar daños, siempre tenga una carga adicional enchufada al generador en caso de usarse equipos de estado sólido (tales como un aparato de televisión). También podría resultar necesario un acondicionador de la línea eléctrica para algunas aplicaciones; por ejemplo, con una computadora. También podría resultar necesario un acondicionador de la línea eléctrica para algunas aplicaciones de equipo de estado sólido.

## CAPACIDAD DEL GENERADOR

Cerciórese que el generador pueda suministrar suficientes vatios de potencia continua (en marcha) y de sobrecorriente (al arrancar) para los equipos que desee alimentar al mismo tiempo. Siga estos pasos sencillos.

1. Seleccione los equipos que desea alimentar al mismo tiempo.
2. Sume la potencia continua (en marcha) en vatios de estos equipos. Esta es la cantidad de potencia que el generador debe producir para mantener en marcha los equipos. Observe la tabla de referencia de potencia en vatios, a la derecha.
3. Calcule cuánta potencia inicial (al arranque) en vatios necesitará. La potencia inicial (en vatios) es la breve variación rápida de potencia necesaria para poner en marcha los aparatos o herramientas accionados con motor eléctrico como las sierras circulares o los refrigeradores. Debido a que no todos los motores arrancan al mismo tiempo, se puede calcular la potencia inicial total en vatios sumando sólo los equipos con el mayor valor de potencia inicial adicional a la potencia nominal del paso 2.

# ASPECTOS ELÉCTRICOS

## CAPACIDAD DEL GENERADOR

Cerciórese que el generador pueda suministrar suficientes vatios de potencia continua (en marcha) y de sobrecorriente (al arrancar) para los equipos que desee alimentar al mismo tiempo. Siga estos pasos sencillos.

1. Seleccione los equipos que desea alimentar al mismo tiempo.
2. Sume la potencia continua (en marcha) en vatios de estos equipos. Esta es la cantidad de potencia que el generador debe producir para mantener en marcha los equipos. Observe la tabla de referencia de potencia en vatios, a la derecha.
3. Calcule cuánta potencia inicial (al arranque) en vatios necesitará. La potencia inicial (en vatios) es la breve variación rápida de potencia necesaria para poner en marcha los aparatos o herramientas accionados con motor eléctrico como las sierras circulares o los refrigeradores. Debido a que no todos los motores arrancan al mismo tiempo, se puede calcular la potencia inicial total en vatios sumando sólo los equipos con el mayor valor de potencia inicial adicional a la potencia nominal del paso 2.

### Ejemplo:

Herramienta o aparato	Potencia continua (en marcha) en vatios	Potencia inicial (arranque) en vatios
Acondicionador de aire de ventana, 10000 BTU	1200	1800
Refrigerador	700	2200
Bomba de pozo de 1/3 HP	1000	2000
Televisor de 27 pulg	500	0
Iluminación (75 vatios)	75	0
	3475 vatios, potencia en marcha total	2200 vatios, potencia inicial máxima

Potencia continua total en vatios (en marcha)	3475
Potencia inicial adicional máxima en vatios	+ 2200
Potencia total de salida requerida del generador	5675

## ADMINISTRACIÓN DE LA POTENCIA

A fin de prolongar la vida útil del generador y los dispositivos acoplados, es importante tener cuidado al agregar cargas eléctricas al generador. NO debe haber equipo alguno conectado a los tomacorrientes del generador antes de poner en marcha el motor respectivo. La manera correcta y segura de administrar la potencia del generador consiste en agregar las cargas de manera secuencial de la manera siguiente:

1. Sin equipos conectados al generador, ponga en marcha el motor de la manera que se describe posteriormente en este manual.
2. Enchufe y active la primera carga, preferiblemente la máxima carga que tenga.
3. Deje que se establezca la salida del generador (el motor marcha uniformemente y el dispositivo acoplado funciona correctamente).
4. Enchufe y active la siguiente carga.
5. Nuevamente, deje que el generador se estabilice.
6. Repita los pasos 4 y 5 para cada carga adicional.

Nunca añada más cargas que las que permita la capacidad del generador. Tenga especial cuidado al considerar las cargas de sobrecorriente en la capacidad del generador según se describió anteriormente.

### PRECAUCIÓN:

No exceda la capacidad del generador. Si excede la capacidad de corriente (amperios) y potencia (vatios) del generador puede dañar el generador y los dispositivos eléctricos conectados al mismo.

Herramienta o aparato	Estimado en marcha en vatios*	Estimado W de arranque*
<b>Emergencia / En casa espera</b>		
Radio-despertador	50	50
Luces (4 qty. x 75 W)	300	300
Refrigerador	700	2200
Ventilador de calefacción	800	2350
Bomba de pozo de agua	1000	1500
Microondas	1000	1000
Bomba de sumidero	1050	2200
Electric Range (per element)	2100	2100
<b>Sitio de trabajo</b>		
Taladro eléctrico – 1/2 HP	600	900
Rociador de aire comprimido – 1/3 HP	600	1200
Lámpara de trabajo de halógeno de cuarzo	1000	1000
Sierra alternativa	960	1920
Compresor de aire – 1 HP	1600	4500
Sierra circular - 184 mm (7-1/4 pulg.)	1400	2300
Cepillo de juntas – 152 mm (6 pulg.)	1800	1800
Sierra de ingletes – 254 mm (10 pulg.)	1800	1800
Sierra de banco/sierra radial de brazo – 254 mm (10 pulg.)	2000	2000

\*Los valores de potencias en vatios indicados son aproximados. Verifique la potencia real de cada herramienta o aparat

# CARACTERÍSTICAS

## ESPECIFICACIONES DEL PRODUCTO

### MOTOR

Tipo de motor .....	4 tiempos, OHV
Sistema de enfriamiento.....	Aire forzado
Sistema de arranque .....	Retráctil
Sistema de ignición.....	T.C.I.
Bujía.....	NGK BPR4ES
Volumen de aceite de motor .....	1 L (1,1 cuarto)
Volumen de combustible.....	26,5 L (7 galones)

### GENERADOR

Voltaje nominal .....	120 V / 240 V
Amperaje nominal.....	47,5 A / 23,75 A
Salida nominal.....	5 700 W
Salida máxima.....	7 125 W
Frecuencia nominal .....	60 Hz

### DIMENSIONES

Longitud .....	723,9 mm (28,5 pulg.)
Ancho .....	530,2 mm (20,88 pulg.)
Altura .....	616,0 mm (24,25 pulg.)
Peso .....	77,1 kg (170 lb)

## FAMILIARÍCESE CON EL GENERADOR

*Vea la figura 1.*

El uso seguro que este producto requiere la comprensión de la información impresa en el producto y en el manual del operador así como ciertos conocimientos sobre el proyecto a realizar. Antes de usar este producto, familiarícese con todas las características de funcionamiento y normas de seguridad.

### DISYUNTOR

El disyuntor se proporciona para proteger al generador contra sobrecarga eléctrica. El disyuntor puede ser reajustado levantando la palanca del disyuntor.

### FILTRO DE AIRE

El filtro de aire ayuda a limitar la cantidad de tierra y polvo que penetra a la unidad durante el funcionamiento.

### PALANCA DEL ANEGADOR

La palanca del anegador se emplea al arrancar el motor.

### RETÉN PARA EL CORDÓN

Utilice los retenes del cordón para evitar que las clavijas se salgan accidentalmente de los receptáculos de 120 V.

### TANQUE DE COMBUSTIBLE

El tanque de combustible tiene una capacidad de 26,5 L (7 galones).

### VÁLVULA DE COMBUSTIBLE

El flujo de combustible a través del generador se controla por medio de la posición de la válvula de combustible.

## TERMINAL DE CONEXIÓN A TIERRA

El terminal de conexión a tierra se utiliza para ayudar a conectar a tierra correctamente el generador como ayuda de protección contra descargas eléctricas. Consulte con un electricista local con respecto a los requisitos de conexión a tierra en el área geográfica donde se encuentre usted.

## TAPA DE RELLENO DE ACEITE/VARILLA MEDIDORA DE ACEITE

Retire la tapa de relleno de aceite para revisar el nivel y añadir lubricante al generador cuando sea necesario.

## TAPÓN DE DRENAJE DEL ACEITE

Al cambiar el lubricante de motor, se afloja Tapón de drenaje del aceite para permitir el drenaje del lubricante usado.

## RECEPTÁCULOS

El generador incorpora las siguientes tomas monofásicas de 60 Hz: cuatro receptáculos de 120 V y 20 A de corriente alterna y uno de 240 V y 30 A de corriente alterna. Los receptáculos pueden utilizarse para accionar los aparatos, iluminación eléctrica, herramientas y motores apropiados.

## MANGO DEL ARRANCADOR RETRÁCTIL

El mango del arrancador retráctil se usa (junto con el interruptor del motor) para arrancar el motor del generador.

# ARMADO

## DESEMPAQUETADO

Este producto requiere armarse.

- Corte cuidadosamente los lados de la caja y después retire la herramienta y cualesquier accesorios de la caja. Asegúrese de que estén presentes todos los artículos enumerados en la lista de empaquetado.

**NOTA:** Esta herramienta es pesada y requiere al menos de dos personas para levantarla. Para evitar una lesión en la espalda, levántela con sus piernas, no con su espalda.



### ADVERTENCIA:

No utilice este producto si alguna pieza incluida en la o lista de empaquetado ya está ensamblada al producto cuando lo desempaqueta. El fabricante no ensambla las piezas de esta lista en el producto. Éstas deben ser instaladas por el usuario. El uso de un producto que puede haber sido ensamblado de forma inadecuada podría causar lesiones personales graves.

- Inspeccione cuidadosamente la unidad para asegurarse que no haya sufrido ninguna rotura o daño durante el transporte.
- No deseche el material de empaquetado hasta que haya inspeccionado cuidadosamente el producto y lo haya utilizado satisfactoriamente.
- Si hay piezas dañadas o faltantes, le suplicamos llamar al 1-800-242-4672, donde le brindaremos asistencia.



### ADVERTENCIA:

Si hay piezas dañadas o faltantes, no utilice este producto sin haber reemplazado todas las piezas. La inobservancia de esta advertencia podría causar lesiones serias.



### ADVERTENCIA:

No intente modificar esta producto ni introducir accesorios no recomendados para la misma. Cualquier alteración o modificación constituye maltrato y puede causar una condición peligrosa, y como consecuencia posibles lesiones corporales graves.



### ADVERTENCIA:

No intente accionar el generador antes de terminar de armarlo. De lo contrario puede ocurrir un riesgo de lesiones graves.

## LISTA DE EMPAQUETADO

Voir la figure 2.

Los siguientes accesorios vienen incluidos con el generador:

### Núm.

ref.	Descripción	Cant.
1	Perno (3/8-16 x 4-1/4 pulg.).....	2
2	Arandela (3/8 pulg.).....	2
3	Espaciador (.38 ID).....	2
4	Rueda.....	2
5	Tuerca de bloqueo (3/8-16).....	2
6	Pasador de seguro del mango.....	2
7	Correa.....	2
8	Tuerca de bloqueo (1/4-20).....	2
9	Arandela (1/4 pulg.).....	2
10	Pie de goma.....	2
11	Perno (1/4-20 x 1-1/2 pulg.).....	2
12	Tuerca de brida (5/16-18).....	2
13	Arandela (5/16 pulg.).....	4
14	Perno (5/16-18 x 1 pulg.).....	2
15	Soporte del armazón.....	1
16	Motor lubricante.....	1
17	Perno (5/16-18 x 2-1/4 pulg.).....	2
18	Tuerca de bloqueo (5/16).....	2
19	Mango.....	2
20	Espaciador del soporte del mango.....	2
	Manual del operador (not shown).....	1

## HERRAMIENTAS NECESARIAS

Vea la figura 3.

Para armar la unidad se necesitan las siguientes herramientas (no incluido o dibujado para escalar):

- Llave de casquillo de 7/16 pulg., 1/2 pulg., y 9/16 pulg.
- Llave de combinación de 7/16 pulg., 1/2 pulg., y 9/16 pulg.

**NOTA:** Ponga combustible ni lubricante en el generador antes de instalar las pies, soporte del armazón et ruedas

## INSTALACIÓN DE LOS PIES EN LA SOPORTE DEL ARMAZÓN

Vea la figura 4.

- Localice los siguientes artículos:

- 2 pies de goma
- 2 tuerca de bloqueo (1/4-20)
- 2 arandela (1/4 pulg.)
- 2 perno (1/4-20 x 1-1/2 pulg.)

- Inserte el perno a través del pie y luego a través del apoyo del bastidor, como se muestra.

- Coloque una arandela en el perno, luego coloque la tuerca y ajústela correctamente.

**NOTA:** Asegúrese de no ajustar excesivamente para evitar que el material del pie se doble.

- Repita estos pasos con el otro pie.

# ARMADO

## INSTALACIÓN DE LA APOYO DEL BASTIDOR

Vea la figura 4.

Instale la apoyo en el lado inferior del bastidor del generador, del mismo lado del mango.

- Localice los siguientes artículos:

Soporte del armazón  
2 tuerca de brida (5/16-18)  
2 arandela (5/16 pulg.)  
2 perno (5/16-18 x 1 pulg.)

- Eleve el extremo del generador donde está ubicado el arrancador retráctil hasta una altura suficiente que permita el acceso a la parte inferior del bastidor; coloque firmemente cuñas debajo para apoyarlo.

- Alinee los agujeros del apoyo del bastidor con los agujeros del bastidor del generador.

- Coloque una arandela en el perno, luego introduzca un perno en el agujero del bastidor del generador de manera que pase a través del apoyo del bastidor.

- Coloque la tuerca de brida y ajústela correctamente.

- Repita el procedimiento en el otro lado.

## INSTALACIÓN DE LAS RUEDAS

Vea la figura 5.

Las ruedas se proporcionan para ayudar a trasladar el generador hasta la ubicación deseada y deben instalarse en el lado opuesto al mango.

- Localice los siguientes artículos:

2 perno (3/8-16 x 4-1/4 pulg.)  
6 arandela (3/8 pulg.)  
2 espaciador (0,38 ID)  
2 rueda  
2 tuercas de bloqueo (3/8-16)

- Eleve el extremo del generador opuesto al mango hasta la altura suficiente para obtener acceso a la parte inferior del bastidor; coloque firmemente cuñas debajo para apoyarlo.

- Coloque un espaciador de rueda en el centro de ésta.

- Coloque una arandela plana en el perno y luego inserte el perno a través de la rueda.

- Coloque otra arandela en el perno y luego inserte el perno a través del perno en "U" del generador.

- Coloque una arandela plana en el extremo del perno.

- Coloque la tuerca en el perno y ajústela correctamente.

- Para instalar la segunda rueda para el otro lado, repita el procedimiento.

## INSTALLATION DE LA POIGNÉE

Voir la figure 6.

- Localiser les pièces suivantes :

2 poignées  
2 boulons (5/16-8 x 3/4 po)  
4 rondelles (5/16 po)  
2 écrous frein (5/16 po)  
2 entretoise de support de la poignée

- Placer la poignée et entretoise de support de la poignée sur le cadre.

- Placer une rondelle sur le boulon, puis glisser le boulon dans la poignée, le cadre et entretoise de support de la poignée.

- Fixer l'écrou sur le boulon et serrer solidement.

- Répéter le processus de l'autre côté pour fixer la deuxième poignée.

## AJUSTE DEL MANGOS

Vea las figuras 7 y 8.

- Localice los siguientes artículos:

2 Pasador de seguro del mango  
2 correa

- Sujete la correa en el pasador del mango y en el mango como se muestra en la figura 7.

- Inserte el pasador a través del agujero en el mango y el bastidor del generador para asegurar el mango correctamente.



### ADVERTENCIA:

No intente levantar la unidad por medio de los mangos. Si fuese necesario izar el generador, siempre hágalo por medio del bastidor. Utilice las técnicas apropiadas de izado para evitar lesiones en la columna.

# FUNCIONAMIENTO

## PELIGRO:

**Monóxido de carbono.** Usar un generador en el interior LO MATARÁ EN POCOS MINUTOS.

Los gases de escape del generador contienen niveles altos de monóxido de carbono (CO), un gas venenoso que no puede verse ni olerse. Si puede oler los gases de escape del generador, está respirando CO. Pero incluso si no puede oler los gases de escape, es posible que esté respirando CO.

- Nunca use un generador dentro de su hogar, garaje, sótano, ni demás espacios parcialmente encerrados. En dichos espacios, pueden acumularse niveles mortales de monóxido de carbono. Usar un ventilador o abrir puertas y ventanas NO proporciona suficiente aire fresco.
- SÓLO utilice el generador al aire libre y lejos de ventanas, puertas y respiraderos abiertos. Estas aberturas pueden atraer los gases de escape del generador.

Incluso si utiliza el generador correctamente, el CO puede ingresar en su hogar. SIEMPRE utilice una alarma de CO de pilas o con pilas de respaldo en su hogar.

Si comienza a sentirse descompuesto, mareado o débil luego de que el generador estuvo funcionando, trasládese adonde haya aire fresco INMEDIATAMENTE. Vea a un doctor. Puede sufrir intoxicación por monóxido de carbono.

## PELIGRO:

El incumplimiento de conectar correctamente a tierra el generador puede resultar en electrocución, especialmente si el generador está equipado con un conjunto de ruedas. El Reglamento Nacional de Electricidad exige que el generador esté debidamente conectado a una tierra aprobada. Comuníquese con un electricista para todo lo relacionado con los requisitos de conexión a tierra.

## ADVERTENCIA:

No permita que su familiarización con este producto lo vuelva descuidado. Tenga presente que un descuido de un instante es suficiente para causar una lesión grave.

## ADVERTENCIA:

No utilice ningún aditamento o accesorio no recomendado por el fabricante de este producto. El empleo de aditamentos o accesorios no recomendados podría causar lesiones graves.

## APLICACIONES

Este generador está diseñado para suministrar alimentación eléctrica para el funcionamiento de iluminación eléctrica compatible, electrodomésticos, herramientas y cargas de motor.

### ANTES DE ACCIONAR LA UNIDAD

- Sólo utilícelo AL AIRE LIBRE y lejos de ventanas, puertas y respiraderos.
- NUNCA lo use dentro de su hogar o del garaje, INCLUSO con las puertas y las ventanas abiertas.
- Coloque siempre el generador sobre una superficie firme plana.

### REQUISITOS ESPECIALES:

Es posible que se apliquen reglamentaciones de la Administración de Salud y Seguridad Ocupacional (Occupational Safety and Health Administration, OSHA) generales o estatales, códigos u ordenanzas locales al uso para el que fue diseñado el generador.

Consulte a un electricista calificado, a un inspector de instalaciones eléctricas o a la agencia local con jurisdicción:

- En algunas áreas, se deben registrar los generadores en las respectivas compañías de servicios públicos locales.
- Si el generador es utilizado en una obra en construcción, es posible que se deban respetar reglamentaciones adicionales.

## PRECAUCIÓN:

Si se intenta arrancar el motor antes de haberse abastecido debidamente de lubricante podría descomponerse el equipo.

## VERIFICACIÓN Y ABASTECIMIENTO DE ACEITE

*Vea la figura 9.*

El lubricante de motor empleado es un factor de gran importancia en el rendimiento y vida de servicio del motor. Para uso general, a todas temperaturas, se recomienda el aceite SAE 10W-30. Siempre utilice lubricante para motor de cuatro tiempos que satisfaga o sobrepase los requisitos SJ de clasificación de servicio API.

**NOTA:** El lubricante sin detergente o para motor de dos tiempos daña el motor, por lo cual no debe usarse.

- Desenrosque la tapa de relleno de aceite/varilla medidora de aceite y retírela.
- Limpie la varilla de nivel y vuelva a asentarla en el agujero; no la enrosque.
- Retire de nuevo la varilla medidora de lubricante y verifique el nivel de lubricante. El nivel de lubricante siempre debe estar entre las áreas cubierta con rayas entrecruzadas de la varilla medidora.
- Si está bajo el nivel, abastezca de lubricante el motor hasta que el nivel del fluido alcance la parte superior de la varilla.
- Vuelva a colocar la tapa de relleno de aceite/varilla medidora de aceite y asegúrela.



# FUNCIONAMIENTO

## VERIFICACIÓN Y ABASTECIMIENTO DE COMBUSTIBLE

Vea la figura 10.

- Retire la tapa de combustible.
- Llene el tanque de combustible hasta una altura de 2,5 cm (1 pulg.) abajo del cuello del tanque.
- Coloque de nuevo la tapa del tanque de combustible y asegúrela.

**NOTA:** Siempre utilice gasolina sin plomo con un octanaje nominal inicial de 86 o mayor. Nunca utilice gasolina vieja, pasada o contaminada, y no utilice mezcla de aceite y gasolina. No permita que entre tierra o agua en el tanque de combustible.

## USO DE ESTABILIZADOR DE COMBUSTIBLE

El combustible se hace viejo, se oxida y descompone al paso del tiempo. Agregando estabilizador de combustible (no incluido) se prolonga la vida útil del combustible y se evita la formación de depósitos, los cuales pueden tapan el sistema del combustible. Siga las instrucciones del fabricante del estabilizador de combustible en cuanto a la debida proporción estabilizador-combustible.

- Vierta el estabilizador en el tanque de combustible y, después, llénelo de gasolina de conformidad con las instrucciones anteriores.

**NOTA:** Pueden mezclarse el estabilizador y la gasolina antes de llenar el tanque; para ello utilice una lata de gasolina u otro recipiente aprobado para combustible y agítela suavemente para realizar la mezcla.

- Coloque de nuevo la tapa del tanque de combustible y asegúrela.
- Arranque el motor y déjelo funcionar por lo menos cinco minutos para permitir que el estabilizador trate todo el sistema de combustible.

## COMBUSTIBLES OXIGENADOS

**NO USE COMBUSTIBLE E85. ANULARÁ SU GARANTÍA.**

**NOTA:** No están cubiertos en la garantía los problemas de desempeño o daños al sistema de combustible producidos por el uso de un combustible oxigenado con un contenido superior a los porcentajes de alcohol o compuesto de éter señalados anteriormente.

**Ethanol.** Las gasolinas con un contenido de 10% de etanol por volumen (comunmente conocida como E10) est aceptables. **La E85 no lo es.**

### PRECAUCIÓN:

Teniendo la unidad en una superficie nivelada y con el motor apagado, revise el nivel de lubricante cada vez antes de usar el generador.

## ARRANQUE DEL MOTOR

Vea las figuras 11 a 12.

**NOTA:** Si el generador no está en una superficie nivelada, es posible que no arranque o se apague durante su funcionamiento.

- Desconecte todas las cargas del generador.
- Ponga la válvula de combustible en la posición ON (ENCENDIDO).
- Desplace izquierda de la palanca del anegador hasta la posición START (ARRANQUE).

**NOTA:** Si el motor está caliente, o la temperatura es superior a los 10 °C (50 °F), desplace derecha la palanca del anegador de la posición RUN (FUNCIONAMIENTO).

- Lleve el interruptor del motor a la posición de ENCENDIDO (I).
  - Tire del mango del arrancador retráctil hasta que comience a funcionar el motor (seis veces como máximo).
- NOTA:** No permita que el mango se retraiga violentamente después de arrancar; regréselo suavemente a su lugar original.
- Permita que el motor funcione 30 segundos y, después, desplace izquierda la palanca del anegador en la posición RUN (FUNCIONAMIENTO).

## APAGADO DEL MOTOR

Vea las figuras 11 y 12.

**Para apagar el motor en condiciones normales de funcionamiento:**

- Desconecte del generador toda carga presente.
- Ponga la válvula de combustible en la posición OFF (APAGADO).
- Lleve el interruptor del motor a la posición de APAGADO (O).

**Para apagar el motor en una situación de emergencia:**

- Lleve el interruptor del motor a la posición de APAGADO (O).



### ADVERTENCIA:

Tanto en funcionamiento como al guardarlo, mantenga siempre 91,4 cm (3 pies) de espacio libre en todos los laterales de este producto, incluida la parte superior. Espere al menos 30 minutos para que el equipo se enfríe antes de guardarlo. El calor generado por el silenciador y los gases de escape puede ser suficiente para causar quemaduras graves y/o prender fuego a objetos combustibles.

# MANTENIMIENTO



## ADVERTENCIA:

Al dar servicio a la unidad, sólo utilice piezas de repuesto idénticas. El empleo de piezas diferentes puede causar un peligro o dañar el producto.

Solamente las piezas enumeradas en la lista de piezas pueden ser reparadas o cambiadas por el consumidor. Todas las piezas restantes deben ser reemplazadas en un centro de servicio autorizado.

## MANTENIMIENTO GENERAL

Mantenga el generador en un entorno limpio y seco, en el cual no esté expuesto al polvo, tierra, humedad o vapores corrosivos. No permita que las ranuras de aire de ventilación del generador se tapen de materia extraña, como hojas, etc.

No utilice una manguera de jardín para limpiar el generador. El agua que entra al sistema de combustible u otras partes internas puede causar problemas que acortan la vida de servicio del generador.

### Para limpiar la unidad:

- Con un cepillo de cerdas suaves y/o una aspiradora afloje y elimine la tierra y la basura.
- Limpie las aberturas de ventilación con aire a baja presión que no se exceda de 25 psi.
- Limpie las superficies exteriores del generador con un paño húmedo.

## INFLAR LOS NEUMATICOS



### ADVERTENCIA:

Para reducir el riesgo de lesiones, no infle excesivamente los neumáticos de esta unidad. Durante el proceso de inflado, controle regularmente la presión con un manómetro confiable y nunca exceda 172,4 kPa (25 psi). Antes de agregar presión a los neumáticos, asegúrese de que los pernos en los cubos de la rueda estén ajustados firmemente.

**NOTA:** El neumático se debe inflar utilizando sólo una bomba manual con una presión de inflado. No utilice ningún una compresor de aire.

## REVISIÓN Y LIMPIEZA DEL FILTRO DE AIRE

*Vea la figura 13.*

Para obtener un desempeño apropiado y una larga vida útil de la unidad, mantenga limpios los filtro de aire.

- Afloje los tornillos ubicados en la parte superior e inferior de la tapa del filtro de aire. Retire la tapa y hágala a un lado.
- Retire los elemento de filtro.
- Si el elemento de filtro están sucios, lávese con agua jabonosa tibia. Enjuáguelo y déjelo secar.

- Aplique una capa delgada de lubricante a los elementos y, después, estruje para sacar aquél.
- Coloque de nuevo los elemento en la unidad del filtro.
- Vuelva a colocar la tapa del filtro de aire y apriete los tornillos para asegurarla.

**NOTA:** No ponga a funcionar el generador sin los filtro de aire. Se causa un desgaste acelerado del motor.

## CAMBIO DEL LUBRICANTE DEL MOTOR

*Vea la figura 14.*

- Retire la tapa de relleno de aceite/varilla medidora de aceite.
- Coloque un recipiente bajo el perno de drenaje de aceite para recoger el lubricant a medida que salga.
- Desenrosque el perno de drenaje de aceite y retírelo.
- Permita que se drene completamente el lubricante.
- Instale de nuevo el perno de drenaje de aceite y apriételo firmemente.
- Reabastezca de lubricante la unidad de conformidad con las instrucciones indicadas en el apartado **Verificación y abastecimiento de lubricante**.
- Reinstale la tapa de relleno de aceite/varilla medidora de aceite.

**NOTA:** El lubricante usado debe desecharse en un sitio de desecho aprobado. Si necesita más información, consulte a un concesionario de aceite de la localidad.

## MANTENIMIENTO DE LA BUJÍA

*Vea la figura 15.*

La bujía debe tener el debido espacio interelectrónico y debe estar libre de depósitos para que el motor funcione de forma correcta. Para verificar:

- Retire la tapa de la bujía.
- Limpie toda la tierra presente alrededor de la base de la bujía.
- Retire los bujías con la llave (no incluido).
- Inspeccione la bujía para ver si está dañada, y límpiela con un cepillo de alambre antes de volver a instalarla. Si el aislante está agrietado o desportillado, debe reemplazarse la bujía.

**NOTA:** Si va a reemplazarla, utilice la bujía recomendadas, o una equivalente: NGK BPR4ES.

- Mida el espacio interelectrónico. La separación correcta es 0,7-0,8 mm (0,028-0,031 pulg.). Para ampliar la separación, doble con cuidado el electrodo (superior) de conexión a tierra. Para angostar el espacio, golpee suavemente sobre una superficie dura el electrodo de tierra.

# MANTENIMIENTO

- Asiente en su lugar la bujía y enrósquela con la mano para evitar trasroscarla.
  - Apriétela con una llave para comprimir la arandela. Si es nueva la bujía, gírela 1/2 vuelta para comprimir al nivel adecuado la arandela. Si va a volver a usar la bujía vieja, gírela de 1/8 a 1/4 de vuelta para comprimir al nivel adecuado la arandela.
- NOTA:** Si no se aprieta debidamente, la bujía se calienta mucho y podría dañar el motor.

## LIMPIEZA DEL ORIFICIO DE ESCAPE Y DEL SILENCIADOR

Según sea el tipo de combustible empleado, el tipo y cantidad de lubricante empleado, así como las condiciones de funcionamiento, puede obstruirse el orificio de escape y el silenciador con depósitos de carbono. Si observa alguna pérdida de potencia en la productos con motor de gasolina, quizá sea necesario eliminar dichos depósitos para restablecer el desempeño original. Recomendamos enfáticamente que este servicio lo realicen únicamente técnicos de servicio calificados.

## PARACHISPAS

*Vea la figura 16.*

- Revise si el parachispas tiene rasgaduras o agujeros. Reemplácelo si es necesario. Para adquirir un parachispas de repuesto, comuníquese con el Centro de asistencia al cliente de Homelite llamando al 1-800-242-4672.
- Utilice un cepillo para retirar los depósitos de carbono de la rejilla del parachispas.

## DRENAJE DEL TANQUE DEL COMBUSTIBLE Y DEL CARBURADOR

*Vea las figuras 17 y 18.*

Para evitar los depósitos de sustancias gomosas en el sistema de combustible, vacíe el tanque de combustible y el carburador antes de guardarlo.

### DRENAJE DEL TANQUE DE COMBUSTIBLE

- Ponga el interruptor del motor en OFF (O) (APAGADO).
- Ponga la válvula de combustible en la posición OFF (APAGADO).
- Retire el conducto de combustible de la llave de purga; para ello, apriete los extremos del sujetador de retención y separe el conducto.
- Instale un extremo del conducto de drenaje en la llave de purga, y coloque el otro extremo en un recipiente de combustible de la suficiente capacidad para recibir el combustible drenado del tanque.
- Ponga la válvula de combustible en la posición ON (ENCENDIDO).
- Una vez que se haya drenado todo el combustible del tanque, cierre la válvula y vuelva a instalar el conducto en la llave de purga.

### DRENAJE DEL CARBURADOR

- Ponga el interruptor del motor en OFF (O) (APAGADO).
- Ponga la válvula de combustible en la posición OFF (APAGADO).
- Coloque un recipiente adecuado bajo el tornillo de drenaje del carburador para recibir el combustible; afloje el tornillo.
- Permita que se drene completamente el combustible y caiga en el recipiente.
- Vuelva a apretar el tornillo de drenaje.

**NOTA:** Consulte las normas de desecho de residuos peligrosos de la localidad donde se encuentre para averiguar la forma correcta de desechar el combustible usado.

## REEMPLAZO DEL FILTRO DE COMBUSTIBLE

*Vea la figura 19.*

En algunas ocasiones, el filtro de combustible puede obstruirse y deberá reemplazarse. Para comprar un filtro de combustible comuníquese con el centro de asistencia de Homelite al 1-800-242-4672.

**NOTA:** El tanque de combustible debe estar vacío antes de reemplazar el filtro. Si es necesario, ponga en funcionamiento la unidad hasta vaciar el tanque, o supervise el filtro antes de llenarlo.

### Para reemplazar:

- Gire la válvula de combustible hasta la posición Apagado.
- Quite la tubería del combustible de ambos lados del filtro apretando los extremos del sujetador de retención con pinzas.
- Deslice la tubería de combustible.
- Reemplazo del filtro de combustible.
- Vuelva a instalar las tuberías de combustible al nuevo filtro de combustible.
- Tire de las líneas para asegurarse de que están asegurados.
- Gire la válvula de combustible hasta la posición Encendido.

## TRANSPORTE

- Ponga el interruptor del motor en OFF (O) (APAGADO).
- Ponga la válvula de combustible en la posición OFF (APAGADO).
- Asegúrese de que estén fríos el motor y el escape de la unidad.
- Vacíe el tanque de combustible.
- No deje caer la unidad, no la golpee ni la coloque bajo objetos pesados.

# MANTENIMIENTO

## ALMACENAMIENTO

Al preparar el generador para guardarlo, deje que la unidad se enfríe por completo y luego siga los lineamientos señalados abajo.

TIEMPO DE ALMACENAMIENTO	ANTES DE GUARDARLO
Menos de dos meses	<ul style="list-style-type: none"> <li>■ Vacíe el tanque de combustible y colóquelo en un recipiente apropiado según lo establecido por las disposiciones estatales y locales.</li> </ul>
De dos meses a un año	<ul style="list-style-type: none"> <li>■ Drene el combustible del carburador.</li> <li>■ Vacíe el tanque de combustible y colóquelo en un recipiente apropiado según lo establecido por las disposiciones estatales y locales.</li> </ul>
Un año o más	<ul style="list-style-type: none"> <li>■ Drene el combustible del carburador.</li> <li>■ Retire la bujía.</li> <li>■ Vacíe el tanque de combustible y colóquelo en un recipiente apropiado según lo establecido por las disposiciones estatales y locales.</li> <li>■ Ponga una cucharada sopera de aceite para motor en el cilindro de la bujía. Gire el motor lentamente con la cuerda de tiro para distribuir el aceite.</li> <li>■ Instale de nuevo la bujía.</li> <li>■ Cambie el lubricante del motor.</li> </ul> <p>Al sacar la unidad después de haberla tenido guardada:</p> <ul style="list-style-type: none"> <li>■ Reabastezca de gasolina fresca la unidad.</li> </ul>

## PROGRAMA DE MANTENIMIENTO

**NOTA:** Si recibe un manual del motor para este generador en particular, respete el cronograma de mantenimiento que se indique en el manual del motor y no la información de mantenimiento que figura a continuación.

	Antes de cada uso	Al cabo del primer mes o 20 horas de funcionamiento	Cada 3 meses o 50 horas de funcionamiento	Cada 6 meses o 100 horas de funcionamiento	Cada año o luego de 300 horas de funcionamiento
Revisar el lubricante del motor	■				
Cambiar el lubricante del motor		■		■	
Revisar el filtro de aire	■				
Limpiar el filtro de aire**			■		
Cambiar el filtro de aire**					■
Comprobar/ajustar la bujía				■	
Reemplazar la bujía					■
Comprobar/ajustar la velocidad de ralentí					■
Comprobar/ajustar el huelgo de válvula*					■
Limpiar el depósito y el filtro de combustible*				■	
Comprobar el tubo de combustible					■
Reemplazo del filtro de combustible					■
Compruebe todas las conexiones de mangueras y caños					■
Inspeccione la válvula antirretorno (si está instalada)					■
Inspeccione el depósito de carbón (únicamente modelos CARB)					■

\* Estas tareas deben ser efectuadas sólo por el centro de servicio autorizado.

\*\* Consulte el manual del motor para conocer el cronograma de mantenimiento de este elemento.

**NOTA:** La frecuencia de mantenimiento debe ser mayor si se el generador se usa en zonas de mucho polvo. Si el generador ha sobrepasado los valores máximos especificados en el cuadro, aun debe seguirse el programa de mantenimiento de acuerdo con los intervalos allí recomendados.

# CORRECCIÓN DE PROBLEMAS

PROBLEMA	CAUSA POSIBLE	SOLUCIÓN
El motor no arranca.	<p>El interruptor del motor está en apagado (OFF).</p> <p>No hay combustible.</p> <p>Está bajo el nivel de lubricante.</p> <p>Está cerrada la válvula de combustible (OFF).</p> <p>Bujía defectuosa, sucia o con separación incorrecta.</p> <p>La palanca de anegador está en la posición RUN (FUNCIONAMIENTO).</p> <p>El motor almacenado sin tratamiento ni vaciado de gasolina, o reabastecido de gasolina de mala calidad.</p>	<p>Ponga el interruptor del motor en encendido (ON).</p> <p>Llene el tanque de combustible.</p> <p>Revise el nivel del lubricante del motor, y reabastézcalo si es necesario.</p> <p>Abra la válvula (ON).</p> <p>Reemplace la bujía.</p> <p>Desplace la palanca del anegador hasta la posición START (ARRANQUE).</p> <p>Vacíe el combustible y el carburador.</p> <p>Reabastezca de gasolina fresca la unidad.</p>
Le falta potencia al motor.	<p>Elemento de combustible obstruidos.</p> <p>El motor almacenado sin tratamiento ni vaciado de gasolina, o reabastecido de gasolina de mala calidad.</p>	<p>Compruebe el elemento de filtro de aire. Limpie o reemplace según sea necesario.</p> <p>Vacíe el combustible y el carburador.</p> <p>Reabastezca de gasolina fresca la unidad.</p>
No funciona el receptáculo de corriente alterna.	<p>El disyuntor está en apagado (OFF).</p> <p>Está defectuoso el dispositivo conectado.</p>	<p>Ponga en encendido (ON) el disyuntor de corriente alterna.</p> <p>Pruebe con un dispositivo diferente.</p>
El generador produce un ruido como de “cascabeleo” o “explosiones”.	<p>Un leve ruido ocasional de “cascabeleo” o “explosiones” si la carga es pesada no debe ser causa de preocupación. No obstante, si tal cascabeleo o explosiones ocurren con una carga normal a velocidad estable del motor, el problema puede ser la marca de gasolina utilizada.</p>	<p>Cambie a una marca diferente de gasolina, y asegúrese de que sea de un octanaje de 86 por lo menos. Si el problema continúa, comuníquese con un centro de servicio autorizado.</p>

Si el problema persiste después de probar las soluciones mencionadas arriba, comuníquese con un centro de servicio autorizado para solicitar asistencia.

Los siguientes síntomas pueden indicar problemas que afectan el nivel de emisiones de la unidad:

- Arranque difícil o paro del motor después de arrancar
- Marcha lenta irregular
- Falla o retardo en la combustión, con la unidad bajo carga
- Combustión secundaria (combustión retardada)
- Sale humo negro del escape o consumo elevado de combustible

Si encuentra cualquiera de estos síntomas, permita que inspeccionen y reparen la unidad en un centro de servicio autorizado.

# GARANTÍA

## GARANTIA LIMITADA COBERTURA DE LA GARANTÍA

Homelite Consumer Products, Inc., (la Compañía) garantiza al comprador minorista original que este Producto Homelite carece de defectos en material y mano de obra, y acuerda reparar o reemplazar, a la discreción de la Compañía, cualquier Producto defectuoso sin cargo en los siguientes períodos a partir de la fecha de la compra:

- Tres años si el Producto se utiliza exclusivamente para fines personales, familiares o domésticos.
- Un año si el Producto se utiliza para fines comerciales.

Esta garantía sólo es válida para los Productos vendidos dentro del territorio de los Estados Unidos de América, el distrito de Columbia, Canadá, México, el Estado Libre Asociado de Puerto Rico, las Islas Vírgenes, o Guam.

Esta garantía no es transferible y sólo cubre los daños derivados de defectos en material o mano de obra y no los daños causados por el uso irracional, incluida la falta de mantenimiento razonable y necesario.

### Entre los artículos que no cuentan con la cobertura de esta garantía, se encuentran:

- Los gastos de transporte originados por el envío del producto a la Compañía o a su representante de servicio autorizado para el mantenimiento incluido en la garantía, o por el envío al consumidor de productos reparados o reemplazados; estos cargos corren por cuenta del comprador minorista original.
- Los daños causados por el maltrato, los accidentes, el uso indebido, la negligencia, la alteración, la modificación, los efectos de la corrosión, la erosión, el desgaste normal o las reparaciones realizadas por personas ajenas a la Compañía o a sus representantes de servicio autorizados.
- Además, esta garantía no cubre:
  - Afinación – Bujías, carburador, ajustes del carburador, encendido, filtros, cambio de aceite
  - Desgaste de piezas – Cuerda del arrancador retráctil, escobillas del motor, pasadores de chaveta, ruedas

La garantía queda anulada si el cliente no instala, mantiene o utiliza el producto respetando las instrucciones y las recomendaciones de la Compañía, según se expresa en el manual del operador del Producto, o si el Producto se utiliza como equipo de alquiler.

La Compañía no se hará cargo de las reparaciones o los ajustes al Producto, o de cualquier tarea o gasto que no sea autorizado previamente por esta Compañía.

### **GUARDE SU COMPROBANTE DE COMPRA**

Antes de que la Compañía o sus representantes de servicio autorizados puedan efectuar el servicio correspondiente cubierto por la garantía del Producto, se solicitará como comprobante de compra una factura de compra con fecha.

### **EXCLUSIONES Y LIMITACIONES**

**ESTA GARANTÍA LIMITADA PREVALECE SOBRE CUALQUIER OTRA GARANTÍA EXPRESA.** CUALQUIER GARANTÍA IMPLÍCITA DE COMERCIABILIDAD, IDONEIDAD PARA UN FIN ESPECÍFICO U OTRA QUE BRINDE COBERTURA PARA ESTE PRODUCTO ESTARÁ LIMITADA EN DURACIÓN AL PLAZO DE ESTA GARANTÍA LIMITADA. EL SERVICIO DE GARANTÍA DESCRITO ANTERIORMENTE ES EL ÚNICO RECURSO BAJO ESTA GARANTÍA. LA COMPAÑÍA NO SERÁ RESPONSABLE DE CUALQUIER DAÑO ESPECIAL, INDIRECTO O CONSECUENTE. ALGUNOS ESTADOS NO PERMITEN LIMITACIONES EN CUANTO A LA DURACIÓN DE UNA GARANTÍA IMPLÍCITA, O LA EXCLUSIÓN O LIMITACIÓN DE LOS DAÑOS INDIRECTOS O CONSECUENTES; POR LO QUE ES POSIBLE QUE LAS LIMITACIONES O EXCLUSIONES ANTERIORES NO SE APLIQUEN EN SU CASO.

### **CÓMO OBTENER UN SERVICIO DE GARANTÍA**

**Para obtener el servicio de garantía: Llame sin cargo al 1-800-242-4672 o escriba a Homelite Consumer Products, Inc., 1428 Pearman Dairy Road, Anderson, SC 29625.**

**Para obtener el servicio de garantía fuera de los EE. UU., comuníquese con el establecimiento Homelite local.**

# GARANTÍA

## Yamaha Motor Corporation USA Pequeño equipo todoterreno con motor de encendido por chispa (SORE) Garantía limitada y normas de emisiones de la EPA

Por la presente, Yamaha Motor Corporation, USA garantiza que los nuevos pequeños motores todoterreno de encendido por chispa (SORE); en adelante, motores SORE; adquiridos en un concesionario autorizado de motores SORE Yamaha en los Estados Unidos, no presentará defectos en material ni mano de obra durante el período de tiempo aquí mencionado y sujeto a ciertas limitaciones establecidas.

Periodo de garantía: Todo motor SORE Yamaha adquirido para uso privado y no comercial en un concesionario autorizado de motores SORE Yamaha en los Estados Unidos estará protegido contra defectos en material y mano de obra por un período de dos (2) años a partir de la fecha de compra, sujeto a las exclusiones aquí indicadas.

Todo motor SORE Yamaha adquirido y utilizado para usos comerciales estará protegido por un período de un (1) año a partir de la fecha de compra, sujeto a las exclusiones aquí indicadas.

Para los motores SORE Yamaha utilizados en equipos de alquiler, la garantía será de noventa (90) días a partir de la fecha de compra, sujetos a las exclusiones aquí indicadas.

Durante el período de garantía, todo taller autorizado de reparación de motores SORE Yamaha se encargará de los arreglos o reemplazos, sin cargo y a elección de Yamaha, de las piezas que Yamaha considere defectuosas debido a una mano de obra o un material deficientes de fábrica. Las piezas utilizadas en las reparaciones de la garantía serán protegidas durante el período de garantía del producto. Todas las piezas reemplazadas durante el período de la garantía pasan a ser propiedad de Yamaha Motor Corporation USA.

Garantía de emisiones: Los componentes asociados con las emisiones estarán protegidos durante 2 años, independientemente de su uso comercial o no comercial.

Las exclusiones generales de esta garantía incluyen toda falla ocasionada por:

- a. La instalación de piezas o accesorios que no sean de la misma calidad que las piezas originales Yamaha.
- b. El esfuerzo anormal, la negligencia o el maltrato.
- c. La falta de un mantenimiento adecuado.
- d. El daño causado por accidentes o choques.

Las exclusiones específicas de esta garantía deben incluir las piezas reemplazadas en consecuencia al desgaste normal o el mantenimiento de rutina.

Las responsabilidades del cliente, según esta garantía, son:

1. Utilizar y realizar el mantenimiento del motor SORE como se especifica en el manual de usuario.
2. Comunicar a un taller autorizado de reparación de motores SORE Yamaha de todo defecto aparente dentro de diez (10) días luego de descubrirlo y entregar la unidad a tiempo para que sea inspeccionada y reparada cuando el taller de reparación de motores SORE Yamaha lo solicite.

Para comunicarse con un taller de reparación de motores SORE de Yamaha aprobado, llame al teléfono 1-866-788-7398.

Transferencia de garantía: A fin de transferir la garantía del comprador original a un comprador subsecuente, llame al 1-866-788-7398 para conocer los procedimientos necesarios. El período de la garantía no se extenderá en ningún caso más allá del plazo original.

Yamaha Motor Corporation, USA no ofrece otra garantía de cualquier otro tipo, ya sea expresa o implícita. Por medio del presente, Yamaha Motor Corporation, USA niega todas las garantías implícitas de comercialización y aptitud para un objetivo particular que exceden la obligación o los límites de tiempo establecidos en esta garantía y las excluye de esta garantía.

Algunos estados no permiten limitaciones en cuanto a la duración de una garantía implícita, por lo que es posible que las limitaciones antes mencionadas no se apliquen en su caso. También se excluyen de esta garantía los daños incidentales o consecuentes, inclusive la pérdida de uso. Algunos estados no permiten exclusiones ni limitaciones en cuanto a los daños incidentales o consecuentes, por lo que es posible que la exclusión antes mencionada no se aplique en su caso.

Esta garantía le otorga derechos legales específicos. Es posible que usted también tenga otros derechos legales que varían según cada estado.

Yamaha Motor Corporation USA  
1-866-788-7398



# 5700 WATT GENERATOR

GÉNÉRATEUR DE 5 700 WATTS

GENERADOR 5 700 WATTS

## OPERATOR'S MANUAL

MANUEL D'UTILISATION

MANUAL DEL OPERADOR

## UT905700 SERIES

SÉRIE UT905700

SERIE UT905700

### CALIFORNIA PROPOSITION 65

#### **WARNING:**

This product and substances that may become airborne from its use may contain chemicals, including lead, known to the State of California to cause cancer, birth defects, or other reproductive harm. **Wash hands after handling.**

### PROPOSITION 65 DE L'ÉTAT DE CALIFORNIE

#### **AVERTISSEMENT :**

Ce produit ainsi que les substances rejetées dans l'air à la suite de son utilisation peuvent contenir des produits chimiques, notamment du plomb qui, selon l'État de la Californie, peuvent causer le cancer, des anomalies congénitales et d'autres dommages au système reproducteur. **Bien se laver les mains après toute manipulation.**

### CALIFORNIA - PROPUESTA DE LEY NÚM. 65

#### **ADVERTENCIA:**

Este producto y sustancias que puedan llegar a ser aerotransportadas por su uso pueden contener sustancias químicas (por ejemplo, plomo) consideradas por el estado de California como causantes de cáncer, defectos de nacimiento u otras alteraciones reproductivas. **Lávese las manos después de utilizar el aparato.**

#### **SERVICE**

For parts or service, contact your nearest Homelite authorized service dealer. Be sure to provide all relevant information when you call or visit. For the location of the authorized service dealer nearest you, please call 1-800-242-4672 or visit us online at [www.homelite.com](http://www.homelite.com).

#### **REPAIR PARTS**

The model number of this product is found on a plate or label attached to the housing. Please record the serial number in the space provided below.

**MODEL NO.** UT905700

**SERIAL NO.** \_\_\_\_\_

• • • • •

#### **DÉPANNAGE**

Pour tout entretien ou réparation du produit, contacter le centre de réparations Homelite agréé le plus proche. Veiller à fournir toutes les informations pertinentes lors de tout appel téléphonique ou visite. Pour obtenir l'adresse du centre de réparations agréé le plus proche, téléphoner au 1-800-242-4672, ou visiter notre site [www.homelite.com](http://www.homelite.com).

#### **PIÈCES DE RECHANGE**

Le numéro de modèle se trouve sur une plaquette ou étiquette placée sur le bâti. Noter le numéro de série dans l'espace ci-dessous.

**NUMÉRO DE MODÈLE** UT905700

**NUMÉRO DE SÉRIE** \_\_\_\_\_

• • • • •

#### **SERVICIO**

Para obtener piezas o servicio, comuníquese con el centro de servicio autorizado de Homelite más cercano. Asegúrese de proporcionar todos los datos pertinentes al llamar o al presentarse personalmente. Para obtener información sobre el establecimiento de servicio autorizado más cercano a usted, le suplicamos llamar al 1-800-242-4672 o visitar nuestro sitio en la red mundial, en la dirección [www.homelite.com](http://www.homelite.com).

#### **PIEZAS DE REPUESTO**

El número de modelo de este producto se encuentra en una placa o etiqueta pegada a la caja del motor. Le recomendamos anotar el número de serie en el espacio suministrado abajo.

**NÚMERO DE MODELO** UT905700

**NÚMERO DE SERIE** \_\_\_\_\_

### HOMELITE CONSUMER PRODUCTS, INC.

1428 Pearman Dairy Road, Anderson, SC 29625

A subsidiary of Techtronic Industries Co., Ltd. OTC TTNDY

1-800-242-4672 • [www.homelite.com](http://www.homelite.com)



## Free Manuals Download Website

<http://myh66.com>

<http://usermanuals.us>

<http://www.somanuals.com>

<http://www.4manuals.cc>

<http://www.manual-lib.com>

<http://www.404manual.com>

<http://www.luxmanual.com>

<http://aubethermostatmanual.com>

Golf course search by state

<http://golfingnear.com>

Email search by domain

<http://emailbydomain.com>

Auto manuals search

<http://auto.somanuals.com>

TV manuals search

<http://tv.somanuals.com>