

# YTH150

**Spare parts**

**Ersatzteile**

**Pièces détachées**

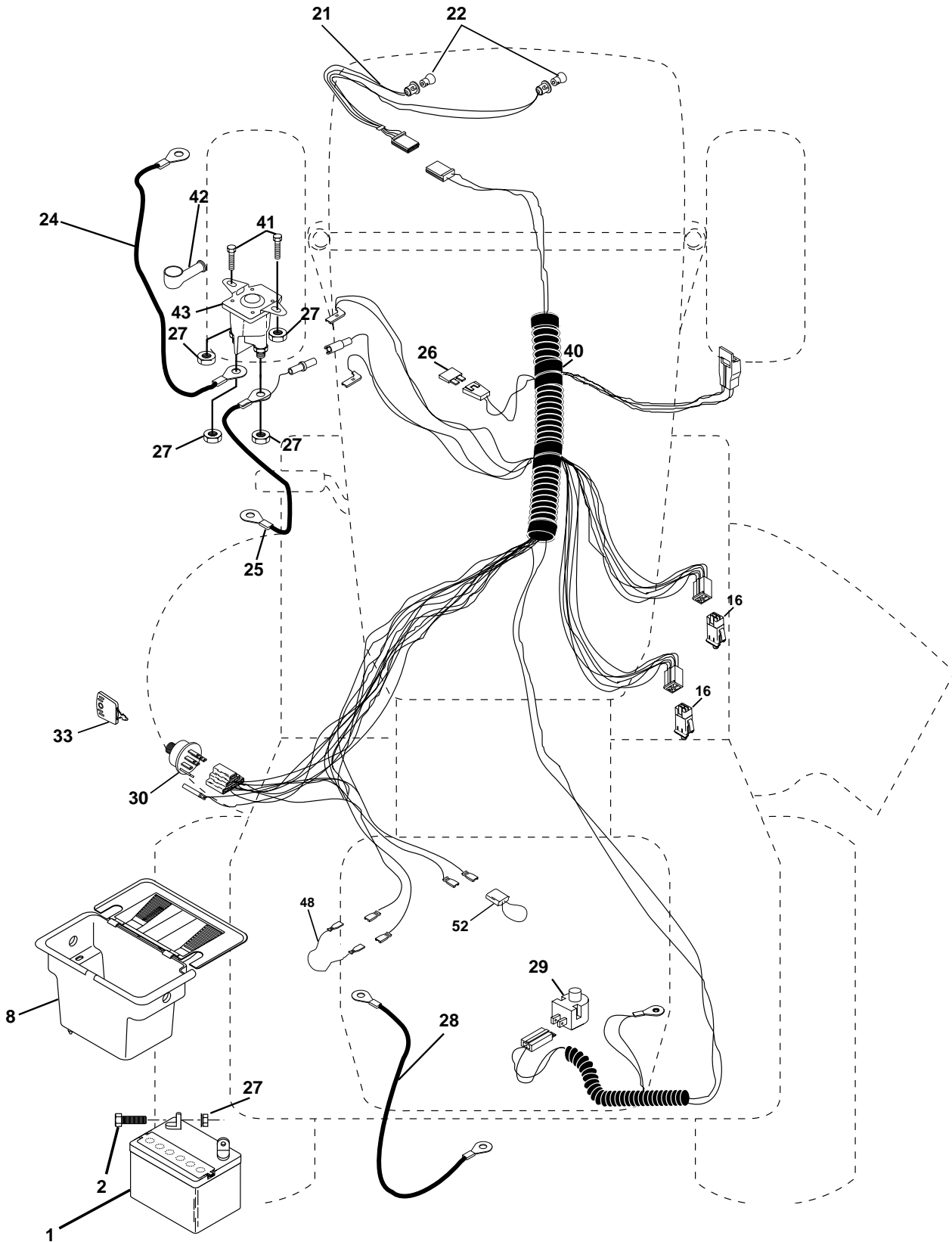
**Reserve onderdelen**

**Repuestos**

**Reservdelar**

# REPAIR PARTS

TRACTOR - - MODEL NO. YTH150 (HFYTH155E) PRODUCT NO. 954 17 00-24  
ELECTRICAL



# REPAIR PARTS

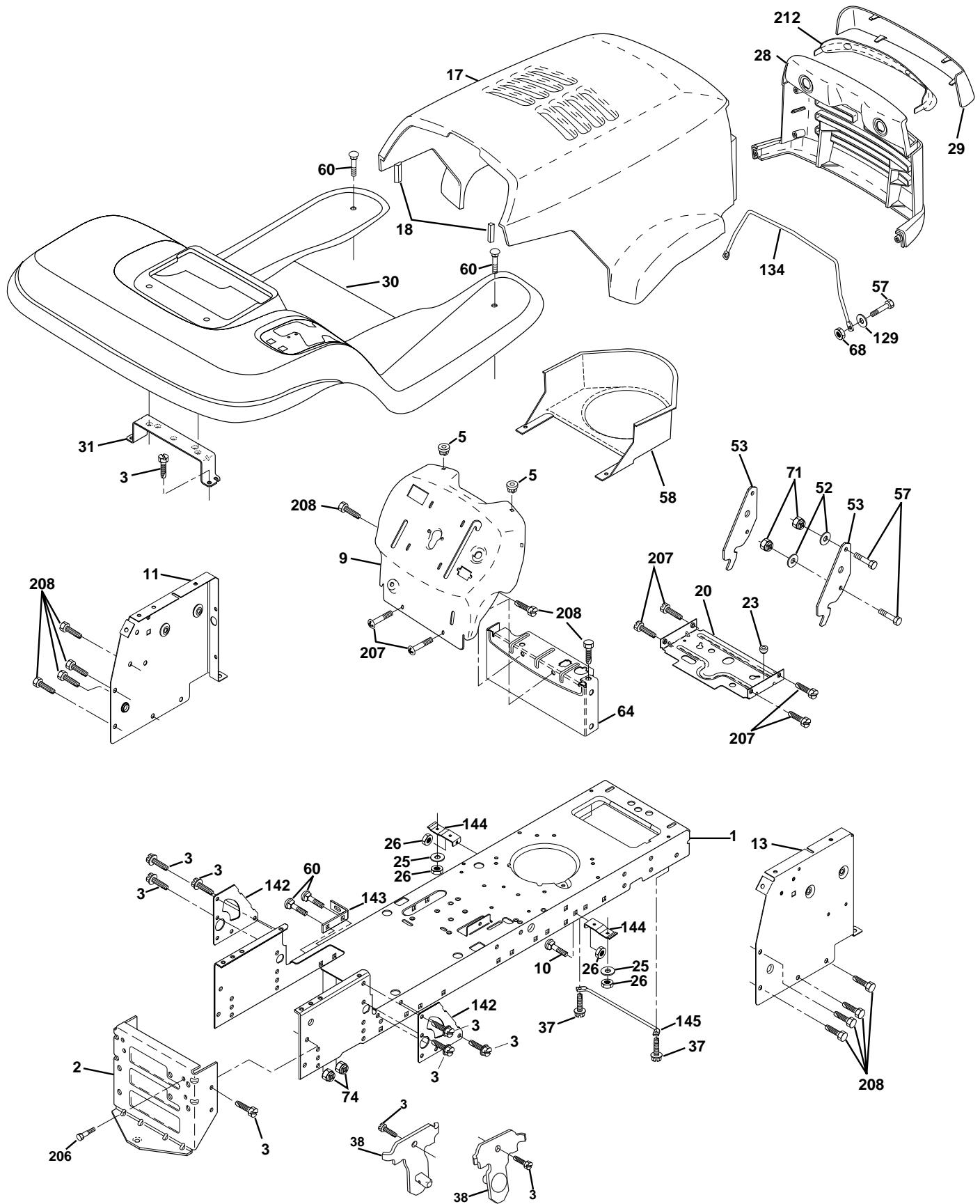
TRACTOR - - MODEL NO. YTH150 (HFYTH155E) PRODUCT NO. 954 17 00-24  
ELECTRICAL

| KEY NO. | PART NO.  | DESCRIPTION                          |
|---------|-----------|--------------------------------------|
| 1       | 532144925 | Battery 12 Volt 25 AMP               |
| 2       | 874760412 | Bolt Hex Hd 1/4-20unc X 3/4          |
| 8       | 532156417 | Case Battery w/2 Holes               |
| 16      | 532153664 | Switch Interlock Push-In             |
| 21      | 532166181 | Harness Asm Light W/4152j            |
| 22      | 532004152 | Bulb Light #1156                     |
| 24      | 532124780 | Cable Battery 6 Ga 11" red           |
| 25      | 532146147 | Cable Battery 6 Ga 44" red w/16 wire |
| 26      | 532166180 | Fuse 15AMP                           |
| 27      | 873510400 | Nut Keps Hex 1/4-20 Unc              |
| 28      | 532124773 | Cable Ground 6 Ga 12" black          |
| 29      | 532121305 | Switch Plunger Nc Gray               |
| 30      | 532163968 | Switch Ign                           |
| 33      | 532140401 | Key Ign Molded Generic               |
| 40      | 532170217 | Harness Ign                          |
| 41      | 871110408 | Bolt Blk Fin Hex 1/4 - 20 x 1/2      |
| 42      | 532131563 | Cover Terminal Red                   |
| 43      | 532145673 | Solenoid                             |
| 48      | 532140844 | Adapter Ammeter Rectangular          |
| 52      | 532141940 | Protection Wire Loop                 |

**NOTE:** All component dimensions given in U.S. inches.  
1 inch = 25.4 mm.

# REPAIR PARTS

TRACTOR - - MODEL NO. YTH150 (HFYTH155E) PRODUCT NO. 954 17 00-24  
CHASSIS AND ENCLOSURES



# REPAIR PARTS

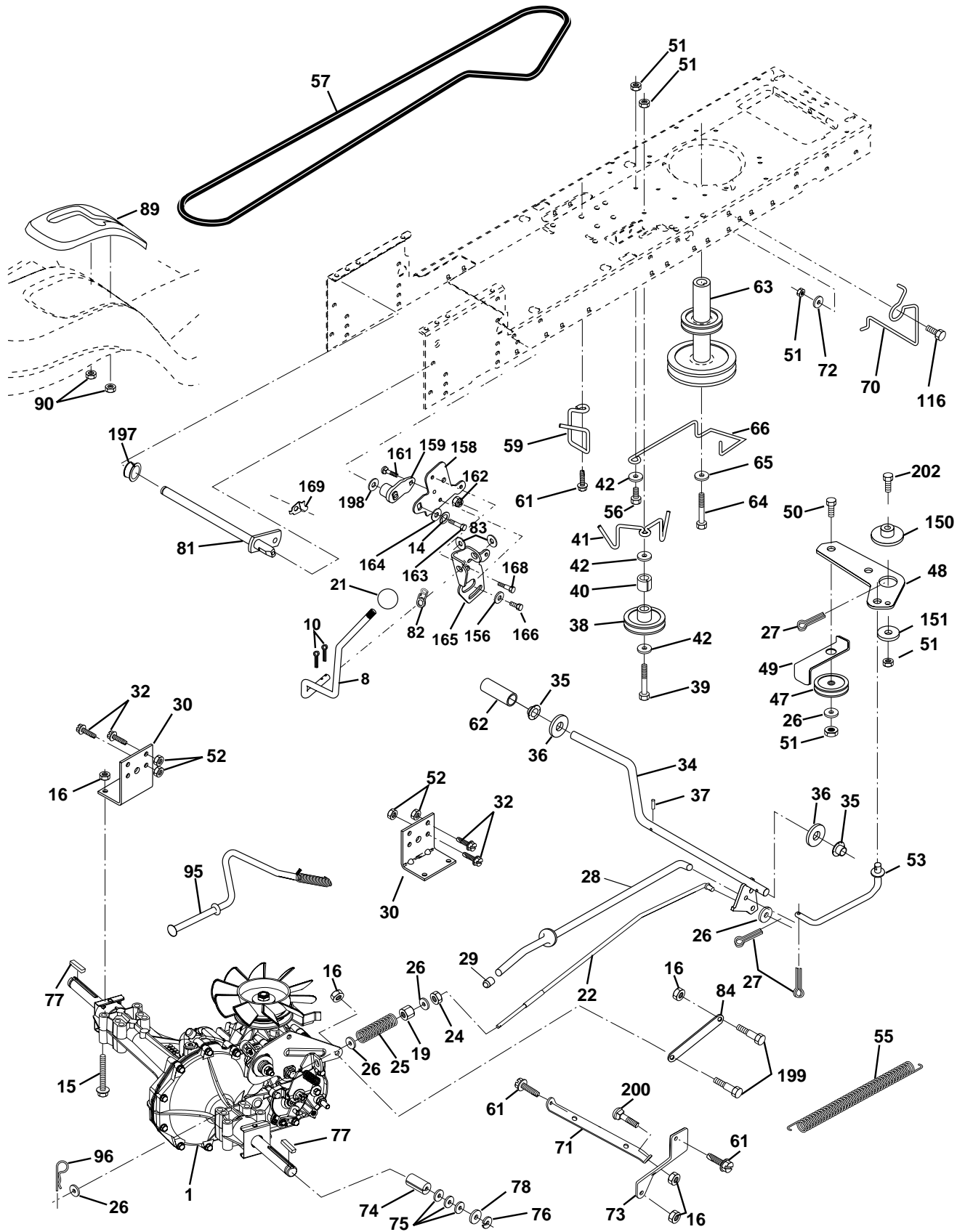
## TRACTOR - - MODEL NO. YTH150 (HFYTH155E) PRODUCT NO. 954 17 00-24 CHASSIS AND ENCLOSURES

| KEY NO. | PART NO.  | DESCRIPTION                           |
|---------|-----------|---------------------------------------|
| 1       | 532169830 | Chassis Weldment                      |
| 2       | 532169061 | Drawbar                               |
| 3       | 817060612 | Screw 3/8-16x3/4                      |
| 5       | 532155272 | Bumper Hood/Dash                      |
| 9       | 532171853 | Dash P/L                              |
| 10      | 872140608 | Bolt Carriage 3/8-16 x 1              |
| 11      | 532155927 | Panel Dash Lh                         |
| 13      | 532169118 | Panel Dash Rh                         |
| 14      | 817490608 | Screw Thdrol 3/8-16x1/2 Ty-tt         |
| 17      | 532165378 | Hood LT/PL Husqvarna                  |
| 18      | 532126938 | Bumper Hood                           |
| 20      | 532156437 | Plate Mtg Battery Fuel Tank Fr        |
| 23      | 532124028 | Bushing                               |
| 25      | 819131312 | Washer 13/32 X 13/16 X 12 Ga          |
| 26      | 873800600 | Nut Lock Hex W/Ins 3/8-16 Unc         |
| 28      | 532165379 | Grille LT/PL Husqvarna                |
| 29      | 532165380 | Lens LT/PL Husqvarna                  |
| 30      | 532171854 | Fender Footrest STLT Pnt              |
| 31      | 532139976 | Bracket Support Fender                |
| 37      | 817490508 | Screw Thdrol 6/16-18 x 1/2 TYT        |
| 38      | 532169834 | Bracket, Asm. Pivot, Mower Rear       |
| 51      | 873800400 | Nut Lock Hex W/Ins 1/4-20             |
| 52      | 819091416 | Washer 9/32 x 7/8 x 16 Ga.            |
| 53      | 532150067 | Bracket Pnt. Pick off LT/PL Husqvarna |
| 57      | 874780412 | Bolt Hex 1/4-20 x 3/4                 |
| 58      | 532162266 | Air Duct Engine P/L                   |
| 60      | 872140606 | Bolt Rdhd Sqnk 3/8-16unc x 3/4        |
| 64      | 532154798 | Dash Lower STLT                       |
| 68      | 873510400 | Nut Keps Hex 1/4-20 unc               |
| 71      | 873680400 | Nut Crownlock 1/4-20 UNC              |
| 74      | 873680600 | Nut Crownlock 3/8-16 UNC              |
| 129     | 819091016 | Washer 9/32 x 5/8 x 16 Ga.            |
| 134     | 532160219 | Rod Support Hood LT/PL Husq.          |
| 142     | 532165867 | Plate Reinforcement STLT              |
| 143     | 532154966 | Bracket Swaybar Chassis               |
| 144     | 532154207 | Bracket Pnt Footrest STLT             |
| 145     | 532156524 | Rod Pivot Chassis/Hood                |
| 206     | 532170165 | Bolt Shoulder 5/16-18 TT              |
| 207     | 817670508 | Screw Thdrol 5/16-18 x 1/2            |
| 208     | 817670608 | Screw Thdrol 3/8-16 x 1/2             |
| 212     | 532156195 | Insert Lens Reflective                |
| --      | 532005479 | Plug Button                           |

**NOTE:** All component dimensions given in U.S. inches.  
1 inch = 25.4 mm

# REPAIR PARTS

TRACTOR - - MODEL NO. YTH150 (HFYTH155E) PRODUCT NO. 954 17 00-24  
DRIVE



# REPAIR PARTS

TRACTOR - - MODEL NO. YTH150 (HFYTH155E) PRODUCT NO. 954 17 00-24  
DRIVE

Correction:

KEY PART  
70 532134683

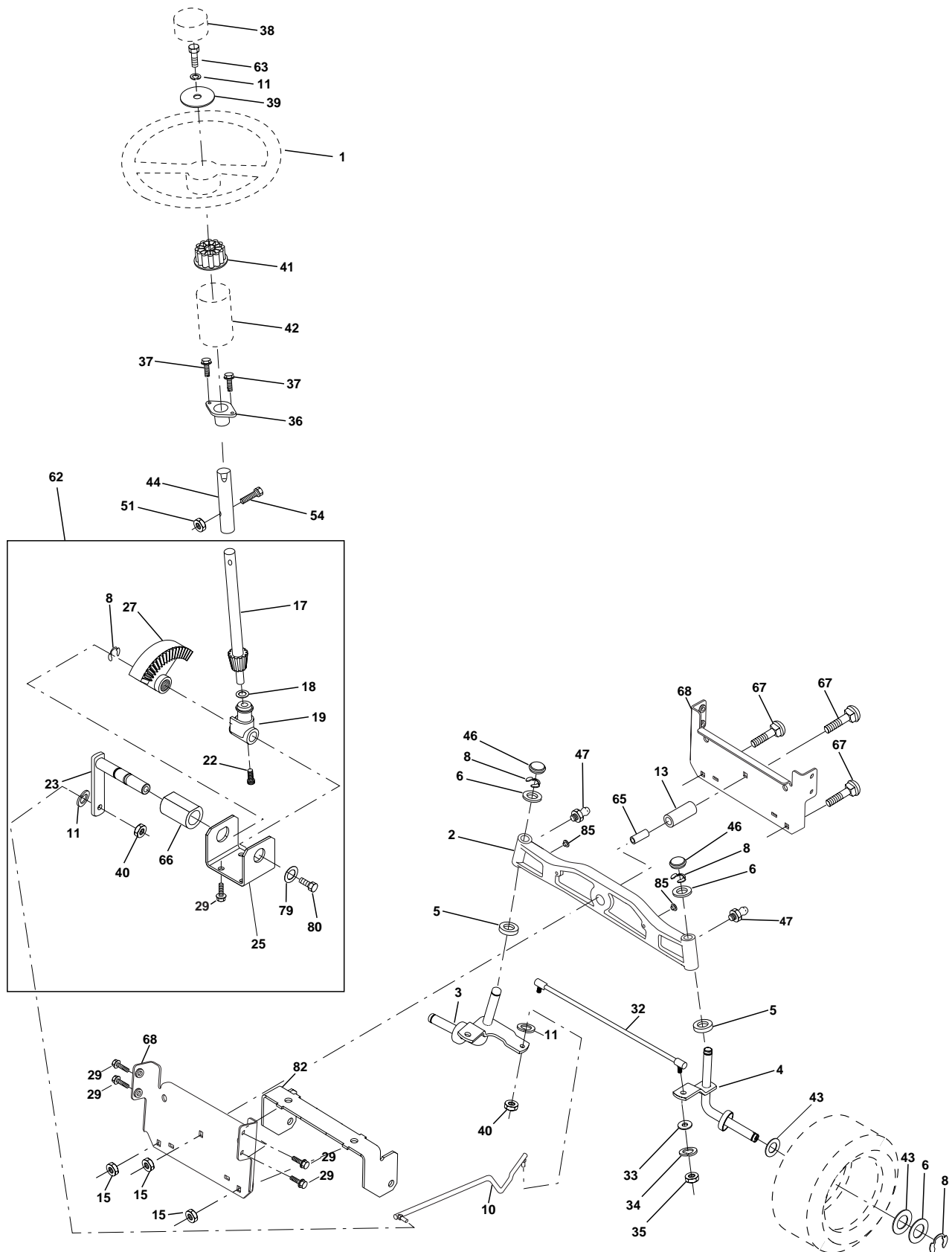
| KEY NO. | PART NO.  | DESCRIPTION  | KEY NO. | PART NO.  | DESCRIPTION                       |
|---------|-----------|--|---------|-----------|-----------------------------------|
| 1       | -----     | Transaxle Hydro Gear 314-0510<br>Order parts from transaxle manufacturer | 63      | 532140186 | Pulley, Engine                    |
| 8       | 532165866 | Rod Shift Fender   | 64      | 871170764 | Bolt, Hex 7/16-20 x 4 Gr. 5       |
| 10      | 876020416 | Pin Cotter 1/8 x 1 CAD   | 65      | 810040700 | Washer                            |
| 14      | 810040400 | Washer Lock Hvy Helical  | 66      | 532154778 | Keeper Belt Engine Hydro          |
| 15      | 874490544 | Bolt Hex Flghd 5/16-18 Gr. 5   | 70      | 532134683 | Guide Belt Mower Drive RH         |
| 16      | 873800500 | Nut Lock Hex W/Ins.5/16-18 Unc P   | 71      | 532169183 | Strap Torque Rh Hydro             |
| 19      | 873800600 | Nut Lock Hex W/Wsh 3/8-16 Unc  | 72      | 819132012 | Washer 13/32 x 1-1/4 x 12 Ga.     |
| 21      | 532121274 | Knob Duckhead  | 73      | 532169182 | Strap Torque Rh Hydro             |
| 22      | 532169498 | Rod, Brake Hydro   | 74      | 532169496 | Spacer, Axle                      |
| 24      | 873350600 | Locknut  | 75      | 532121749 | Washer 25/32 x 1-1/4 x 16 Ga.     |
| 25      | 532106888 | Spring, Brake Rod  | 76      | 812000001 | E-Ring                            |
| 26      | 819131316 | Washer   | 77      | 532123583 | Key, Square                       |
| 27      | 876020412 | Pin Cotter 1/8 x 3/4 CAD.  | 78      | 532121748 | Washer 25/32 x 1-5/8 x 16 Ga.     |
| 28      | 532145204 | Rod, Parking Brake   | 81      | 532165596 | Shaft Asm Cross Tapered           |
| 29      | 532071673 | Cap, Parking Brake   | 82      | 532165711 | Spring Torsion T/A                |
| 30      | 532169592 | Bracket, Transaxle   | 83      | 819171216 | Washer 17/32 x 3/4 x 16 Ga.       |
| 32      | 874760512 | Bolt Hex Hd 5/16-18 Unc x 3/4  | 84      | 532169594 | Link Transaxle                    |
| 34      | 532155071 | Shaft, Foot Pedal  | 89      | 532166510 | Console, Shift                    |
| 35      | 532120183 | Bearing, Nylon   | 90      | 532124346 | Nut, Self Thd Wsh Hd 1/4 Zinc     |
| 36      | 819211616 | Washer   | 95      | 532170201 | Control Asm. Bypass Hydro         |
| 37      | 532124963 | Pin, Roll  | 96      | 532124788 | Retainer Spring 1" Zinc/Cad       |
| 38      | 532131494 | Pulley, Idler, Flat  | 116     | 872110610 | Bolt Rdhd Sq Neck 3/8-16 x 1-1/4  |
| 39      | 872110622 | Bolt   | 150     | 532165850 | Bushing Bellcrank Grd Drive       |
| 40      | 532124965 | Spacer Split   | 151     | 819133210 | Washer 13/32 x 2 x 10 Ga.         |
| 41      | 532165838 | Keeper, Belt Idler Flat  | 156     | 532166002 | Washer Srrted 5/16ID x 1.125      |
| 42      | 819131312 | Washer 13/32 x 13/16 x 12 Gauge  | 158     | 532165589 | Bracket Shift Mount               |
| 47      | 532127783 | Pulley, Idler, V-Groove  | 159     | 532165494 | Hub Tapered Flange Shift Lt       |
| 48      | 532154407 | Bellcrank Grnd Clutch  | 161     | 872140406 | Bolt Rdhd Sqnk 1/4-20 x 3/4 Gr.5  |
| 49      | 532123205 | Retainer, Belt   | 162     | 873680400 | Nut Crownlock 1/4-20 Unc          |
| 50      | 874760624 | Bolt   | 163     | 874780416 | Bolt Hex Fin 1/4-20 Unc x 1 Gr 5  |
| 51      | 873680600 | Nut  | 164     | 819091010 | Washer 5/8 x .281 x 10 Ga         |
| 52      | 873680500 | Nut Crown Lock 5/16-18   | 165     | 532165623 | Bracket Pivot Lever               |
| 53      | 532105710 | Link, Clutch   | 166     | 532166880 | Screw 5/16-18 x 5/8               |
| 55      | 532105709 | Spring, Return, Clutch   | 168     | 532165492 | Bolt Shoulxder 5/16-18 x .561     |
| 56      | 874760620 | Bolt   | 169     | 532165580 | Plate Fastening Lt                |
| 57      | 531006042 | V-Belt, Ground Drive   | 197     | 532169613 | Nyliner Snap-In 5/8" ID           |
| 59      | 532169691 | Keeper, Center Span  | 198     | 532169593 | Washer Nyl 7/8 ID x .105" Hyd     |
| 61      | 817060612 | Screw 3/8-16 x 3/4   | 199     | 532169612 | Bolt Shoulder 5/16-18 Unc         |
| 62      | 532123533 | Cover, Pedal   | 200     | 872140508 | Bolt Rdhd Sqnk 5/16-18 Unc x 1    |
|         |           |  | 202     | 872110612 | Bolt Carr Sh 3/8-16 x 1-1/2 Gr. 5 |

**NOTE:** All component dimensions given in U.S. inches  
1 inch = 25.4 mm

# REPAIR PARTS

TRACTOR - - MODEL NO. YTH150 (HFYTH155E) PRODUCT NO. 954 17 00-24

## STEERING ASSEMBLY





# REPAIR PARTS

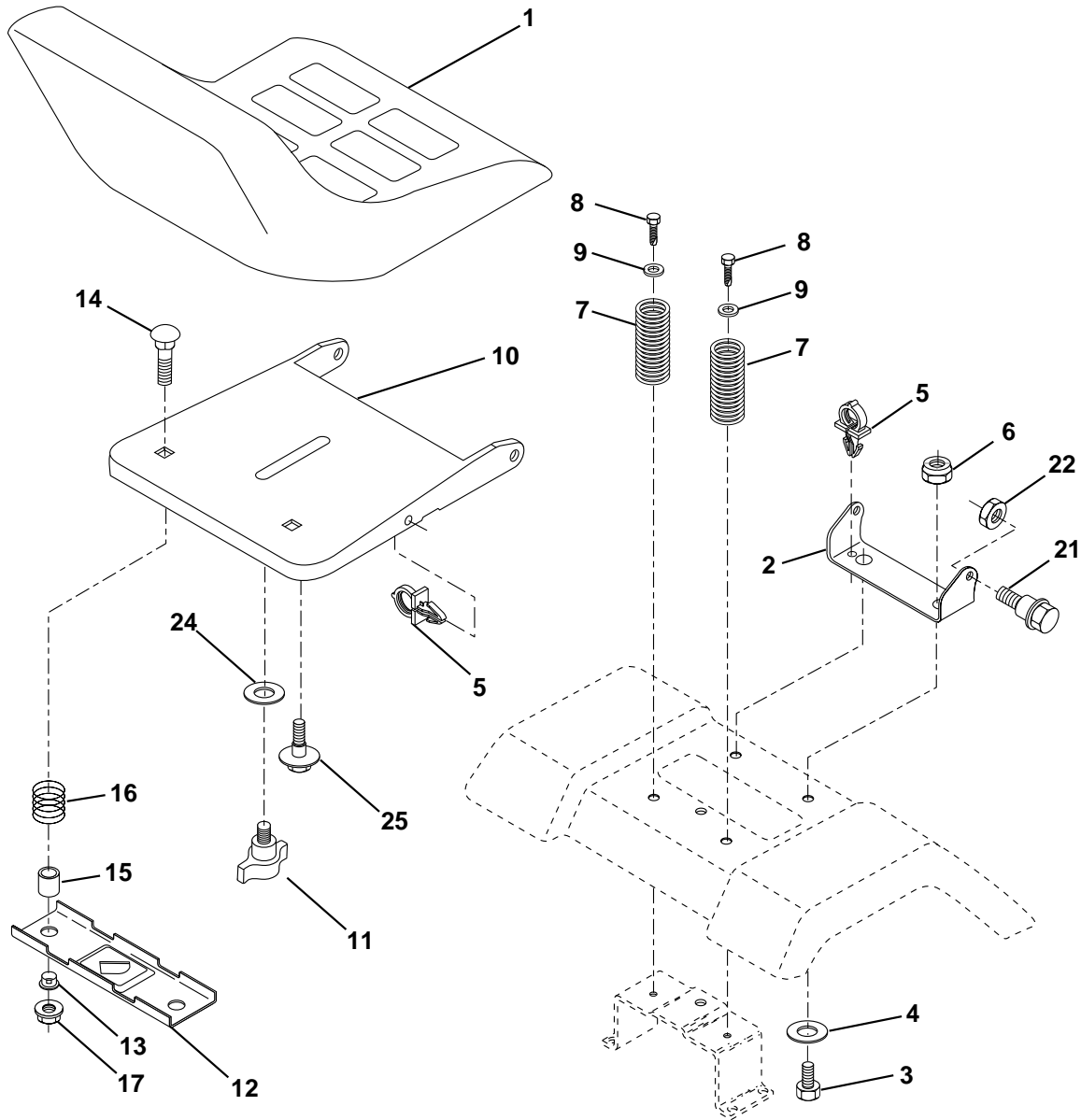
TRACTOR - - MODEL NO. YTH150 (HFYTH155E) PRODUCT NO. 954 17 00-24  
STEERING ASSEMBLY

| KEY NO. | PART NO.  | DESCRIPTION                      |
|---------|-----------|----------------------------------|
| 1       | 532166627 | Wheel Steering                   |
| 2       | 532165854 | Axle Cast Lt Machined            |
| 3       | 532169840 | Spindle Asm LH                   |
| 4       | 532169839 | Spindle Asm RH                   |
| 5       | 532124931 | Bearing Race Thrust Harden       |
| 6       | 532121748 | Washer 25/32 X 1-5/8 X 16 Ga     |
| 7       | 819272016 | Washer 27/32 X 1-1/4 X 16 Ga     |
| 8       | 812000029 | Ring Klip #t5304-75              |
| 10      | 532169832 | Link Drag                        |
| 11      | 810040600 | Washer Lock Hvy Hlcl Spr 3/8     |
| 13      | 532136518 | Spacer Brg Axle Front            |
| 15      | 532145212 | Nut Hex Flange Lock              |
| 17      | 532156546 | Shaft Asm Strg                   |
| 18      | 532057079 | Washer Thrust 515x 750x 033      |
| 19      | 532160395 | Support Shaft                    |
| 22      | 532165857 | Screw Hex WSH HD Torx            |
| 23      | 532165851 | Shaft Asm Pittman                |
| 25      | 532154406 | Bracket Steering                 |
| 27      | 532136874 | Gear Sector                      |
| 29      | 817060612 | Screw 3/8-16x3/4                 |
| 32      | 532139929 | Rod Tie BJ Solid                 |
| 33      | 819111216 | Washer 11/32 x 3/4 x 16 Ga.      |
| 34      | 810040500 | Washer Lock Hvy Hlcl Spr 5/16    |
| 35      | 873680500 | Nut Crownlock 5/16-18            |
| 36      | 532155099 | Bushing Strg                     |
| 37      | 532152927 | Screw                            |
| 38      | 532166626 | Insert Cap Strg Wh               |
| 39      | 819132411 | Washer 13/32 X 1-1/20 x 11 Ga    |
| 40      | 532124701 | Lock nut                         |
| 41      | 532159945 | Adaptor Wheel Strg               |
| 42      | 532169634 | Boot Steering Shaft              |
| 43      | 532121749 | Washer 25/32 X 1 1/4 X 16 Ga     |
| 44      | 532153720 | Extension Steering Shaft LR/LT   |
| 46      | 532121232 | Cap Spindle Fr Top Blk           |
| 47      | 532124836 | Fitting Grease                   |
| 51      | 873800500 | Nut Lock Hex w/Ins 5/16-18       |
| 54      | 874780520 | Bolt Fin Hex 5/16-18 Unc x 1-1/4 |
| 62      | 532167902 | Kit, Steering Assembly Svc       |
| 63      | 874780616 | Bolt Fin Hex 3/8-16unc x 1 Gr. 5 |
| 65      | 532160367 | Spacer Brace Axle                |
| 66      | 532154404 | Bearing Arm Pittman              |
| 67      | 872110618 | Bolt Rdhd Sqnk 3/8-16 x 2-1/4    |
| 68      | 532169827 | Axle, Brace                      |
| 79      | 819132012 | Washer 13/32 x 1-1/4 x 12 Ga.    |
| 80      | 874950612 | Bolt Hex Nylon 3/8-16 x 3/4      |
| 82      | 532169835 | Bracket Susp Chassis Front       |
| 85      | 532133835 | Fastener Christmas Tree          |

**NOTE:** All component dimensions given in U.S. inches.  
1 inch = 25.4 mm.

# REPAIR PARTS

## TRACTOR - - MODEL NO. YTH150 (HFYTH155E) PRODUCT NO. 954 17 00-24 SEAT ASSEMBLY



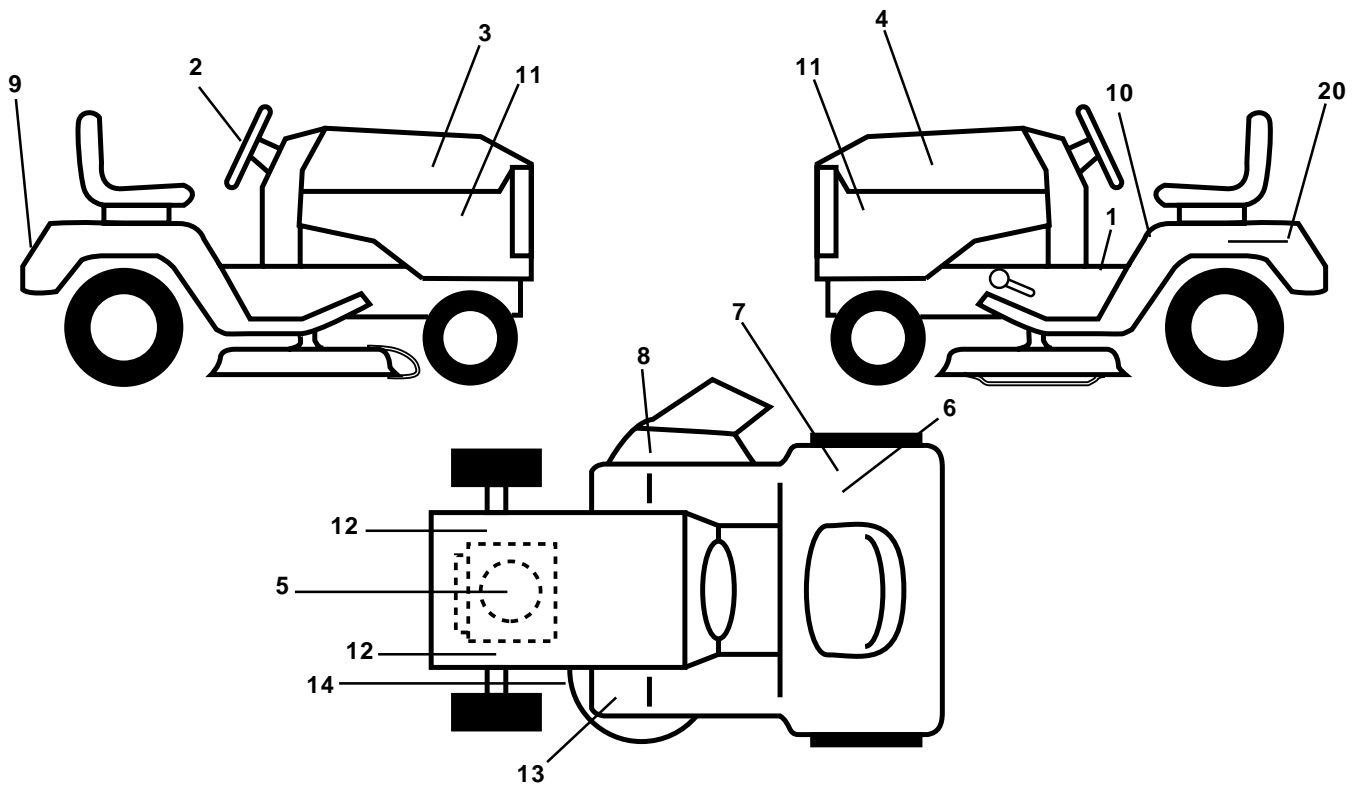
| KEY NO. | PART NO.  | DESCRIPTION                    |
|---------|-----------|--------------------------------|
| 1       | 532140839 | Seat V450 Blk/blk Std          |
| 2       | 532140551 | Bracket Pivot Seat 8 720       |
| 3       | 871110616 | Bolt Fin Hex 3/8-16unc X 1     |
| 4       | 819131610 | Washer 13/32 X 1 X 10 Ga       |
| 5       | 532145006 | Clip Push-In                   |
| 6       | 873800600 | Nut Lock 3/8-16 Unc            |
| 7       | 532124181 | Spring Seat Cprsn 2 250 Blk Zi |
| 8       | 817000616 | Screw 3/8-16 X 1-1/2           |
| 9       | 819131614 | Washer 13/32 X 1 X 14 Ga.      |
| 10      | 532155925 | Pan Seat                       |
| 11      | 532166369 | Knob Seat                      |

| KEY NO. | PART NO.  | DESCRIPTION                    |
|---------|-----------|--------------------------------|
| 12      | 532121246 | Bracket Mounting Switch        |
| 13      | 532121248 | Bushing Snap Blk Nyl 50 Id     |
| 14      | 872050412 | Bolt Rdhd Sht Nk 1/4-20x1-1/2  |
| 15      | 532134300 | Spacer Split 28x 96 Yel Zinc   |
| 16      | 532121250 | Spring Cprsn 1 27 Blk Pnt      |
| 17      | 532123976 | Nut Lock 1/4 Lge Flg Gr 5 Zinc |
| 21      | 532171852 | Bolt Shoulder 5/16-18 Unc-2A   |
| 22      | 873800500 | Nut Hex Lock W/Ins 5/16-18     |
| 24      | 819171912 | Washer 17/32 X 1-3/16 X 12 Ga. |
| 25      | 532127018 | Bolt Shoulder 5/16-18 X 62     |

**NOTE:** All component dimensions given in U.S. inches.  
1 inch = 25.4 mm

# REPAIR PARTS

TRACTOR - - MODEL NO. YTH150 (HFYTH155E) PRODUCT NO. 954 17 00-24  
DECALS



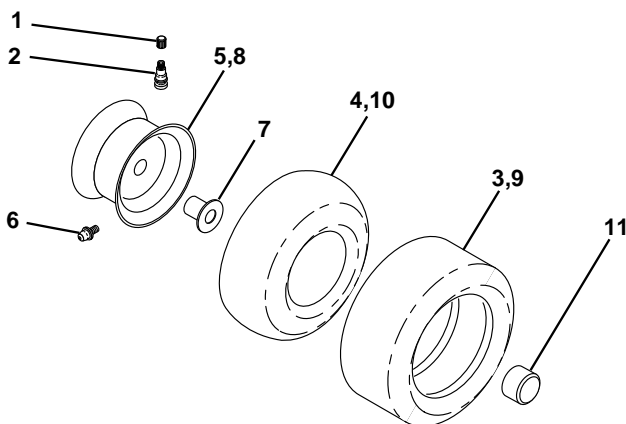
| KEY NO. | PART NO.         | DESCRIPTION                 |
|---------|------------------|-----------------------------|
| 1       | 532140837        | Decal Saddle Parking        |
| 2       | 532170564        | Decal Wheel Steering        |
| 3       | 532150729        | Decal Hood RH               |
| 4       | 532150730        | Decal Hood LH               |
| 5       | <b>532168892</b> | Decal HP Engine             |
| 6       | 532126187        | Decal 100 DBA               |
| 7       | 532145437        | Decal Europe Stand CE       |
| 8       | 532145494        | Decal Mower Cut/Finger      |
| 9       | 532150617        | Decal Fender Husq           |
| 10      | 532145498        | Decal Read Owner's Man Syms |
| 11      | 532159713        | Decal Panel Side B & S Logo |

| KEY NO. | PART NO.         | DESCRIPTION                    |
|---------|------------------|--------------------------------|
| 12      | 532159736        | Decal Chassis Hot Muffler      |
| 13      | 532159737        | Decal Brake/Clutch Symbol LT   |
| 14      | 532160396        | Decal V-Belt Schematic         |
| 20      | 532145005        | Decal Bat Dan/Psn              |
| --      | 532169210        | Decal By Pass Lt Hydro         |
| --      | 532171284        | Pad Footrest LH STLT           |
| --      | 532171285        | Pad Footrest RH STLT           |
| --      | 532138311        | Decal Handle Lft Height Adjust |
| --      | <b>532174198</b> | Manual Operator's (Euro)       |
| --      | <b>532174199</b> | Manual Operator's (Scand)      |
| --      | 532162598        | Decal Drawbar Load Limit       |

Available accessories not included with tractor:

|    |       |                    |
|----|-------|--------------------|
| -- | MK420 | Mulch Kit w/Blades |
| -- | C42   | Grass Catcher      |

## WHEELS & TIRES

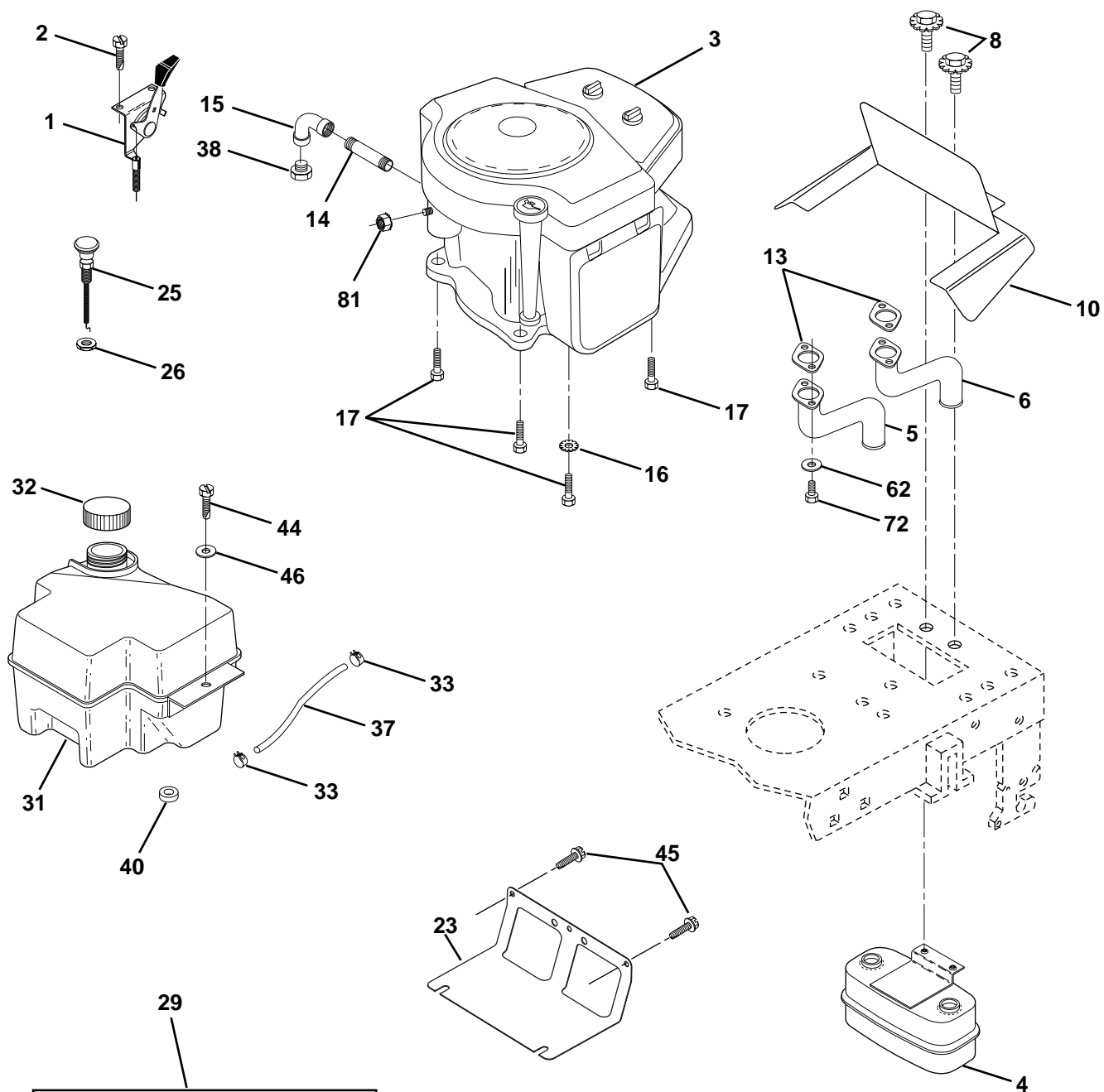


| KEY NO. | PART NO.  | DESCRIPTION                       |
|---------|-----------|-----------------------------------|
| 1       | 532059192 | Cap Valve Tire                    |
| 2       | 532065139 | Stem Valve                        |
| 3       | 532106222 | Tire F Ts 15 X 60 - 6 Service     |
| 4       | 532059904 | Tube Front (Service Item Only)    |
| 5       | 532138336 | Rim Asm 6"front                   |
| 6       | 532124957 | Fitting Grease (Front Wheel Only) |
| 7       | 532124959 | Bearing Flange (Front Wheel Only) |
| 8       | 532138337 | Rim Asm 8"rear                    |
| 9       | 532122082 | Tire R Ts 20 x 10-8 C Service     |
| 10      | 532124926 | Tube Rear (Service Item Only)     |
| 11      | 532104757 | Cap Axle Blk 1 50 X 1 00          |
| --      | 532144334 | Sealant, Tire (10 oz. Tube)       |

**NOTE:** All component dimensions given in U.S. inches  
1 inch = 25.4 mm

# REPAIR PARTS

TRACTOR - - MODEL NO. YTH150 (HFYTH155E) PRODUCT NO. 954 17 00-24  
ENGINE



**OPTIONAL EQUIPMENT**  
**Spark Arrester**

# REPAIR PARTS

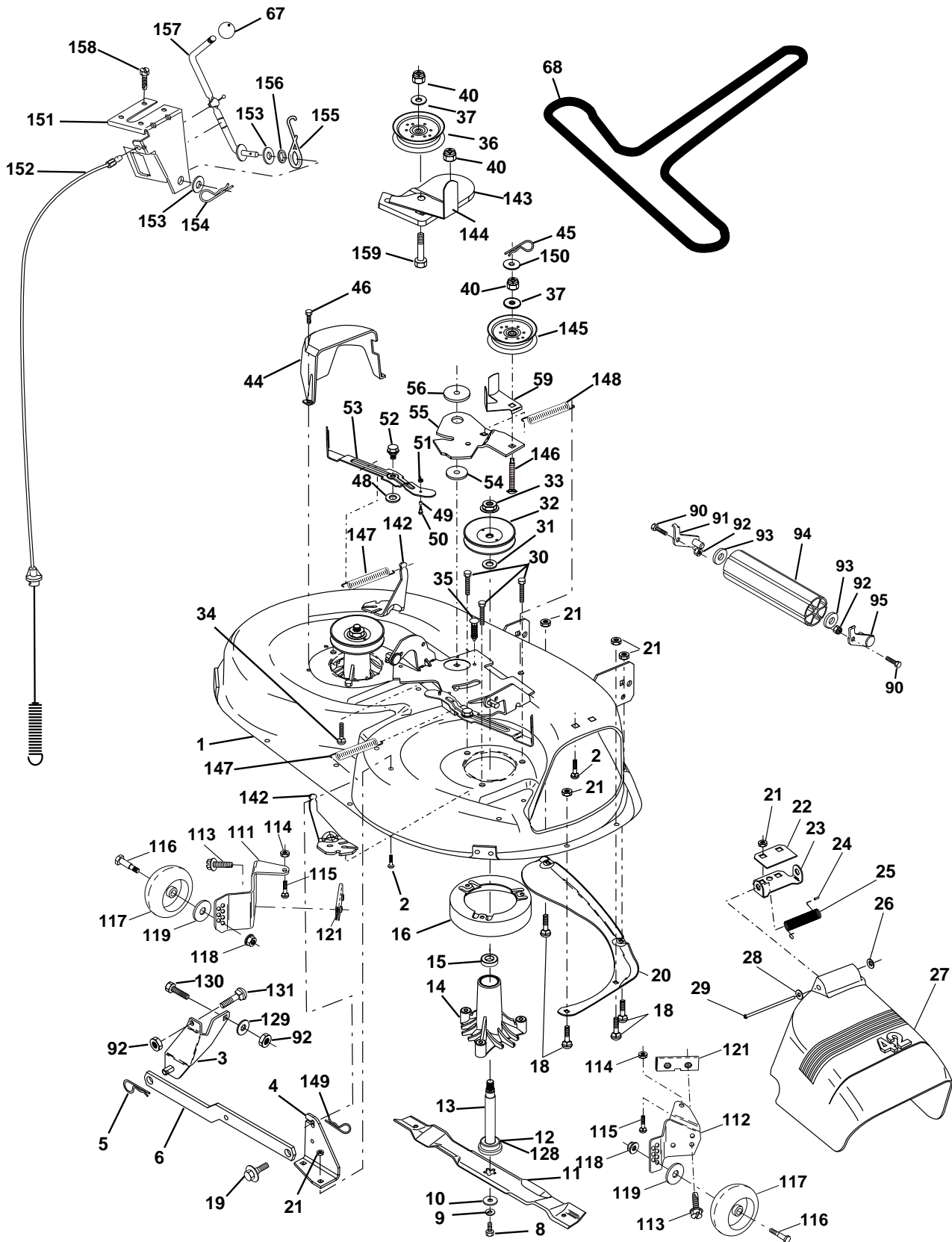
TRACTOR - - MODEL NO. YTH150 (HFYTH155E) PRODUCT NO. 954 17 00-24  
ENGINE

| KEY NO. | PART NO.  | DESCRIPTION   |
|---------|-----------|---|
| 1       | 532148875 | Control Th/Flag180 LH 36"   |
| 2       | 817720410 | Screw Hex Thd Cut 1/4-20x5/8 T  |
| 3       | -----     | Engine, Briggs Model 407777<br>(Order parts from engine manufacturer) |
| 4       | 532149723 | Muffler Asm Twin Lo-Tone  |
| 5       | 532159955 | Pipe Exhaust LH Intek   |
| 6       | 532160589 | Pipe Exhaust RH Intek   |
| 8       | 532150176 | Bolt 5/16-18 UNC x 3/4 w/Sems   |
| 10      | 532162797 | Shield Browning Intek II  |
| 13      | 532165391 | Muffler Gasket  |
| 14      | 813280336 | Nipple Pipe 3/8 Npt X 4-1/2"  |
| 15      | 813200300 | Elbow Std 90 Degree 3/8-18 Npt  |
| 16      | 811050600 | Washer Lock Ext Tooth 3/8   |
| 17      | 817490624 | Screw Thdrol 3/8-16 x 1-1/2   |
| 23      | 532169837 | Shield Heat   |
| 25      | 532145996 | Choke Control 37"   |
| 26      | 873920600 | Nut, Keps 3/8-24 UNF  |
| 29      | 532137180 | Kit Spark Arrestor (Flat Scrn)  |
| 31      | 532161911 | Tank Fuel   |
| 32      | 532140527 | Cap Asm Fuel W/sym Vented   |
| 33      | 532123487 | Clamp Hose Black  |
| 37      | 532137040 | Line Fuel   |
| 38      | -----     | Plug Oil Drain (Order From EngineManufacturer)                        |
| 40      | 532124028 | Bushing Snap Nyl Blk Fuel Line  |
| 44      | 817670412 | Screw Hexwsh Thdrol 1/4-20 x 3/4                                      |
| 45      | 817000612 | Screw Hexwsh Thdr 3/8-16 x 3/4  |
| 46      | 819091416 | Washer 9/32 x 7/8 x 16 Ga   |
| 62      | 810040500 | Washer Lock 5/16  |
| 72      | 871070512 | Screw Hex Hd Cap 5/16-18 x 3/4  |
| 81      | 873510400 | Nut Keps Hex 1/4-20 UNC   |

**NOTE:** All component dimensions given in U.S. inches  
1 inch = 25.4 mm

# REPAIR PARTS

TRACTOR - - MODEL NO. YTH150 (HFYTH155E) PRODUCT NO. 954 17 00-24  
MOWER DECK



# REPAIR PARTS

TRACTOR - - MODEL NO. YTH150 (HFYTH155E) PRODUCT NO. 954 17 00-24

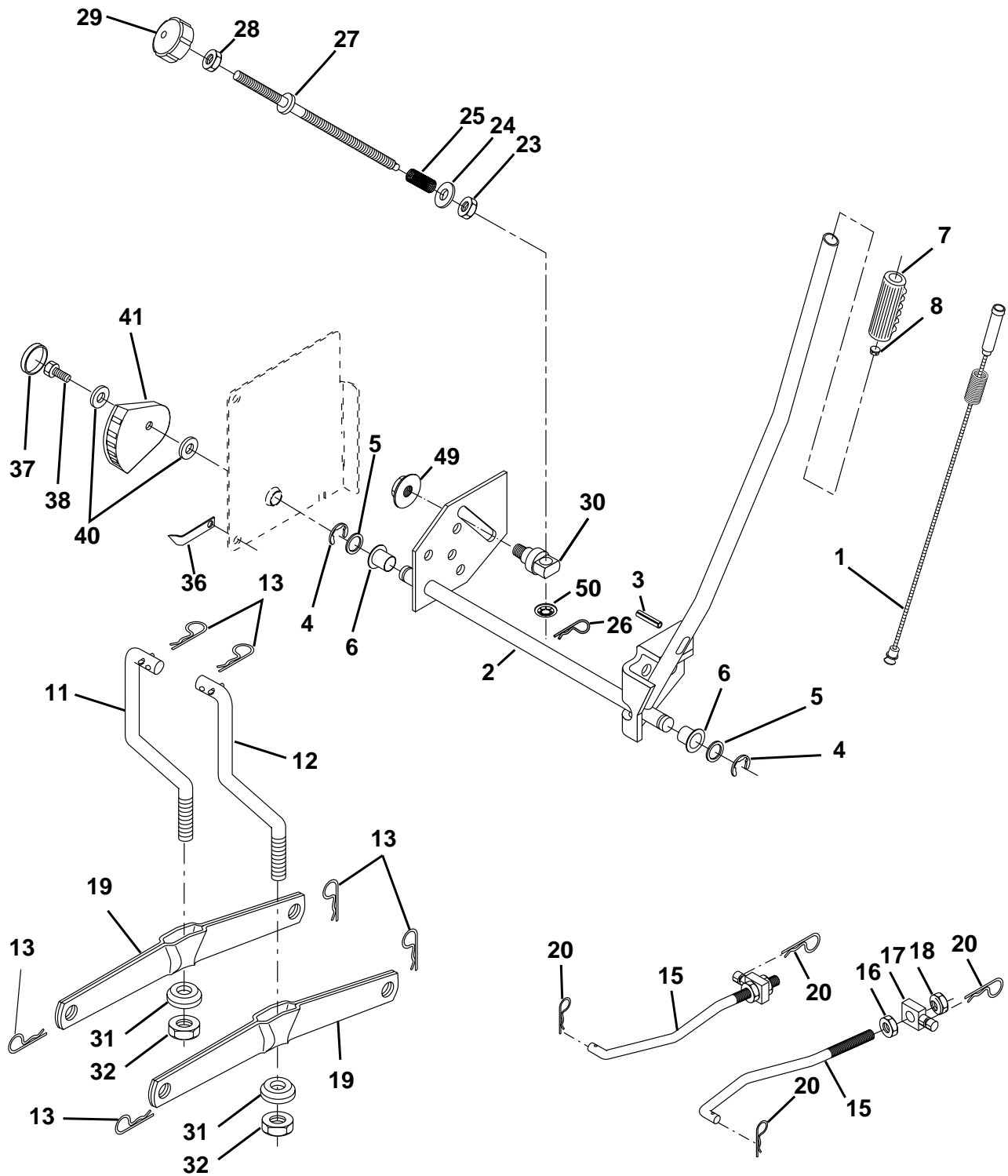
## MOWER DECK

| KEY NO. | PART NO.  | DESCRIPTION                    | KEY NO. | PART NO.  | DESCRIPTION  |
|---------|-----------|--------------------------------|---------|-----------|--|
| 1       | 532165892 | Deck Asm MWR 42"weldment       | 67      | 532106932 | Knob Rd 3/8-16 Plstc Thd Blk   |
| 2       | 872140506 | Bolt Rdhd Sqnk 5/16-18unc X3/4 | 68      | 531005083 | V-Belt Mower 42"   |
| 3       | 532138017 | Bracket Asm Fr Sway Bar 38/42  | 90      | 874760616 | Bolt Fin Hex 3/8-16 UNC x 1  |
| 4       | 532165460 | Bracket Asm Deck 42"sway Bar   | 91      | 532132274 | Bracket Asm Noseroller LH  |
| 5       | 532124670 | Retainer Spring                | 92      | 873800600 | Nut Lock Hex W/Ins 3/8-16 Unc  |
| 6       | 532130832 | Arm Suspension Rear            | 93      | 819171416 | Washer 17/32 x 7/8 x 16 Ga.  |
| 8       | 532850857 | Bolt 3/8 - 24 X 1.25 Gr 8      | 94      | 532132264 | Roller Nose 38 & 42  |
| 9       | 810030600 | Washer Lock Hvy 3/8            | 95      | 532132273 | Bracket Asm Noseroller RH  |
| 10      | 532140296 | Washer Hard Blade Mower Vented | 111     | 532155197 | Bracket Wheel Gauge LH 42" Deck  |
| 11      | 531005085 | Blade Mower                    | 112     | 532155198 | Bracket Gauge Wheel RH 42" Deck  |
| 12      | 532129895 | Bearing Ball #6024 (Mandrel)   | 113     | 817060512 | Screw 5/16-18 x 3/4  |
| 13      | 532137645 | Shaft Asm W/lower Bearing      | 114     | 873510500 | Nut Keps 5/16-18 UNC   |
| 14      | 532128774 | Housing Mandrel Vented         | 115     | 872110504 | Bolt Carriage 5/16-UNC x 1/2   |
| 15      | 532110485 | Bearing Ball Mandrel           | 116     | 532124842 | Bolt Shoulder  |
| 16      | 532140329 | Stripper Mower Vented          | 117     | 532165746 | Wheel Gauge Blk  |
| 18      | 872140505 | Bolt Rdhd Sqnk 5/16-18 X 5/8   | 118     | 873930600 | Nut Centerlock 3/8-16 UNC  |
| 19      | 532132827 | Bolt Shoulder                  | 119     | 819121414 | Washer 3/8 x 7/8 x 14 Ga.  |
| 20      | 532159770 | Baffle Vortex 42               | 121     | 532143723 | Bracket Extruded Gauge Wheel   |
| 21      | 873680500 | Nut Crownlock 5/16-18 UNC      | 128     | 532153390 | Washer Felt  |
| 22      | 532134753 | Stiffener Bracket 42"deck      | 129     | 819131312 | Washer 13/32 x 13/16 x 12 Ga.  |
| 23      | 532131267 | Bracket Deflector Mower 42"    | 130     | 874780616 | Bolt Fin Hex 3/8-16 UNC x 1 Gr. 5  |
| 24      | 532105304 | Cap Sleeve 80x 112 Blk Mower   | 131     | 872140608 | Bolt Rdhd Sqnk 3/8-16 x 1  |
| 25      | 532123713 | Spring Torsion Deflector 2 52  | 142     | 532165890 | Arm Spring Brake Mower   |
| 26      | 532110452 | Nut Push Phos & Oil            | 143     | 532157109 | Bracket Arm Idler 42"  |
| 27      | 532171859 | Shield Deflector Mower 42" Blk | 144     | 532158634 | Keeper Belt 42" Clutch Cable   |
| 28      | 819111016 | Washer 11/32 X 5/8 X 16 Ga     | 145     | 532165888 | Pulley Idler Flat  |
| 29      | 532131491 | Rod Hinge 42"6 75 Wlg          | 146     | 532165891 | Bolt Carriage Idler  |
| 30      | 532157722 | Screw Thdrol Washer Head       | 147     | 532131335 | Spring Extension   |
| 31      | 532129963 | Washer Spacer Mower Vented     | 148     | 532169022 | Spring Return Idler  |
| 32      | 532153535 | Pulley Mandrel 42/44/50        | 149     | 532169898 | Retainer Spring Yellow   |
| 33      | 532137266 | Nut 9/16 Toplock Flng Oil Dip  | 150     | 819091216 | Washer 9/32 x 3/4 x 16 Ga.   |
| 34      | 872110614 | Bolt Rdhd 3/8-16uncx1-3/4 Gr5  | 151     | 532169670 | Bracket Clutch Cable   |
| 35      | 532133835 | Fastner Christmas Tree         | 152     | 532169676 | Clutch Cable 42"   |
| 36      | 532131494 | Pulley Idler Flat 3 060        | 153     | 532169674 | Washer Flat 3/8" Type B  |
| 37      | 819131316 | Washer 13/32 X 13/16 X 16      | 154     | 532169675 | Spring Retainer  |
| 40      | 873680600 | Nut Crownlock 3/8-16 UNC       | 155     | 532169671 | Spring Retention Lvr Clutch Cable  |
| 44      | 532140088 | Guard Mandrel LH Black         | 156     | 532169672 | Spacer Clutch Cable  |
| 45      | 532124788 | Spring Retainer 1" Zinc/cad    | 157     | 532169669 | Rod Clutch Cable   |
| 46      | 532137729 | Screw Hex Thd Cut 1/4-20x5/8 T | 158     | 817720410 | Screw Hex Thd Cut 1/4-20 x 5/8   |
| 48      | 532133944 | Washer Hardened Smaller        | 159     | 872140614 | Bolt Rdhd Sqn 3/8-16 Unc x 1-3/4   |
| 49      | 532155066 | Roller Asm Cam Follower 42"dec | --      | 532130794 | Mandrel Asm Service (Includes Key Nos. 8-10, 12-15, 31 and 33)   |
| 50      | 532131340 | Bolt Shldr 10-24 Zinc Gr 5 42" | --      | 532171491 | Deck Serv 42"mch S Bar Mult-Lang (Standard Deck - Order noseroller, mulch cover and gauge wheel components separately Key Nos. 90-95, 101-106 and 111-120) |
| 51      | 532069180 | Nut Lock #10-24 Unc            |         |           |  |
| 52      | 532139888 | Bolt Shoulder 5/16-18 Unc Blkz |         |           |  |
| 53      | 532131845 | Arm Asm Pad Brake              |         |           |  |
| 54      | 532133943 | Washer Hardened                |         |           |  |
| 55      | 532155046 | Arm Idler 42"mower LT/YT       |         |           |  |
| 56      | 532165723 | Spacer Retainer Mower          |         |           |  |
| 59      | 532141043 | Guard TUV Idler                |         |           |  |

**NOTE:** All component dimensions given in U.S. inches  
1 inch = 25.4 mm

# REPAIR PARTS

TRACTOR - - MODEL NO. YTH150 (HFYTH155E) PRODUCT NO. 954 17 00-24  
MOWER LIFT





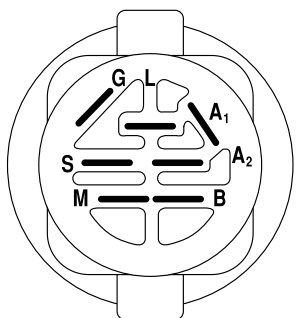
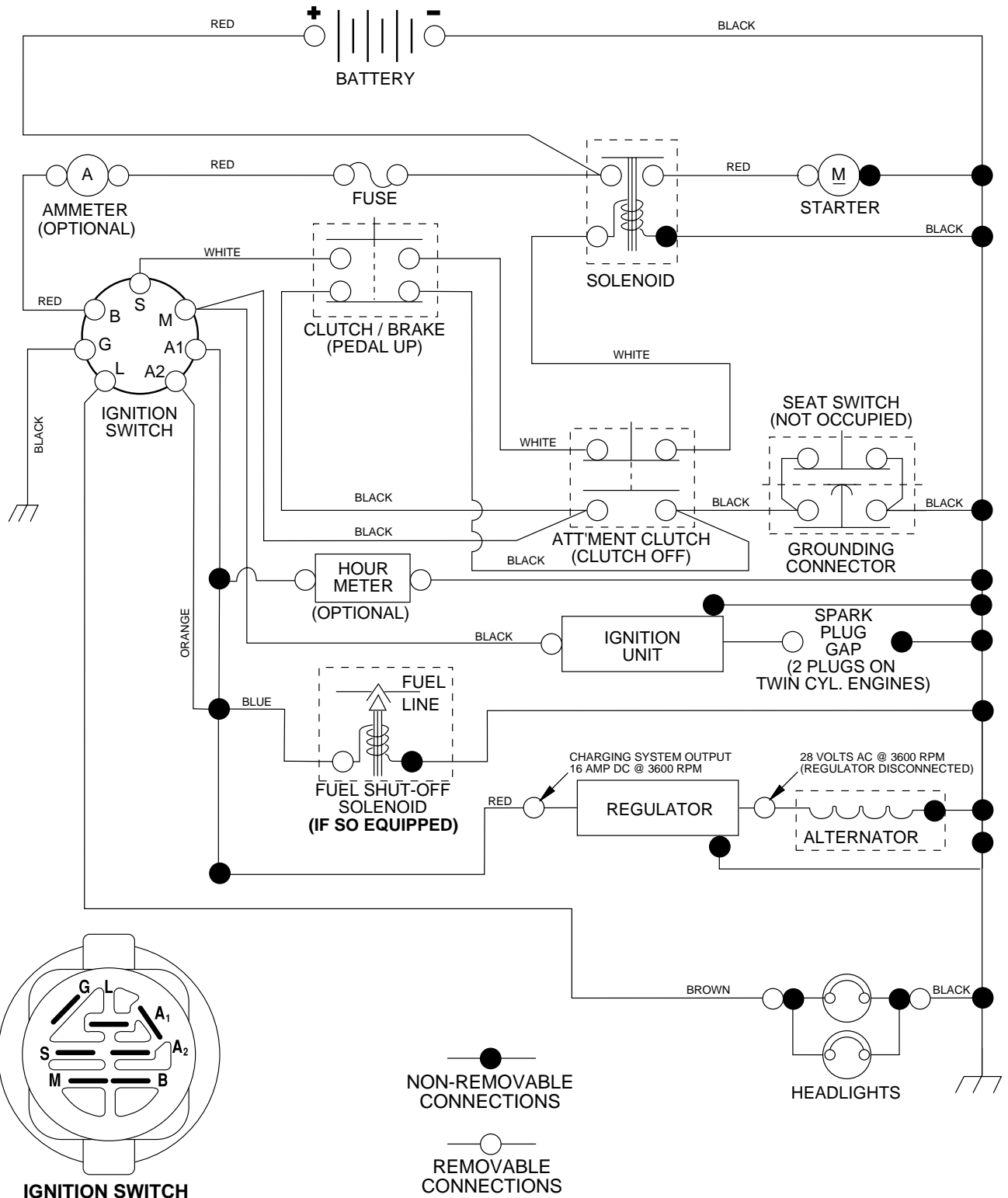
# REPAIR PARTS

TRACTOR - - MODEL NO. YTH150 (HFYTH155E) PRODUCT NO. 954 17 00-24  
MOWER LIFT

| KEY NO. | PART NO.         | DESCRIPTION                    |
|---------|------------------|--------------------------------|
| 1       | 532159460        | Wire Asm Inner W/plunger 17 32 |
| 2       | 532159471        | Shaft Asm Lift LH Inf Hgt P/L  |
| 3       | 532105767        | Pin Groove 1 500 Zinc          |
| 4       | 812000002        | E Ring#5133-62                 |
| 5       | 819211621        | Washer 21/32 X 1 X 21 Ga       |
| 6       | 532120183        | Bearing Nylon Blk 629 Id       |
| 7       | 532125631        | Grip Handle                    |
| 8       | 532124526        | Button Plunger Black           |
| 11      | 532139865        | Link Lift LH                   |
| 12      | 532139866        | Link Lift RH                   |
| 13      | 532124670        | Retainer Spring                |
| 15      | <b>532173288</b> | Link Front                     |
| 16      | 873350800        | Nut Jam Hex 1/2-13 Unc         |
| 17      | 532130171        | Trunnion Blk Zinc              |
| 18      | 873800800        | Nut Lock W/wsh 1/2-13unc       |
| 19      | 532139868        | Arm Suspension Rear            |
| 20      | 532163552        | Retainer Spring                |
| 23      | 532110807        | Nut Special                    |
| 24      | 819131016        | Washer 13/32 X 5/8 X 16 Ga     |
| 25      | 532124874        | Spring 2-1/8"                  |
| 26      | 532169484        | Retainer Clip                  |
| 27      | 532126971        | Rod Adj Lift Zinc 7 49 Wrk Lg  |
| 28      | 873350600        | Nut Hex Jam 3/8-16 Unc         |
| 29      | 532138057        | Knob Inf 3/8-16 Unc Blk W/sym  |
| 30      | 532150233        | Trunnion Inf Height            |
| 31      | 532140302        | Bearing pvt. Lift Spherical    |
| 32      | 873540600        | Nut Crownlock 3/8-24           |
| 36      | 532155097        | Pointer pnt Height Ind.        |
| 37      | 532123935        | Plug hole Blk 1.485/1.515 Dia  |
| 38      | 817060516        | Screw 5/16-18 x 1              |
| 40      | 819112410        | Washer 11/32 x 1-1/2 10 Ga     |
| 41      | 532155098        | Indicator Height               |
| 49      | 532145212        | Nut Hex Flange Lock            |
| 50      | 532110452        | Push Nut                       |

**NOTE:** All component dimensions given in U.S. inches  
1 inch = 25.4 mm

# TRACTOR - - MODEL NO. YTH150 (HFYTH155E) PRODUCT NO. 954 17 00-24 SCHEMATIC



**IGNITION SWITCH**

| POSITION  | CIRCUIT    | "MAKE" |
|-----------|------------|--------|
| OFF       | M+G+A1     | NONE   |
| RUN/LIGHT | B+A1       | A2+L   |
| RUN       | B+A1       | NONE   |
| START     | B + S + A1 | NONE   |

**WIRING INSULATED CLIPS**

**NOTE:** IF WIRING INSULATED CLIPS WERE REMOVED FOR SERVICING OF UNIT, THEY SHOULD BE REPLACED TO PROPERLY SECURE YOUR WIRING.

## Free Manuals Download Website

<http://myh66.com>

<http://usermanuals.us>

<http://www.somanuals.com>

<http://www.4manuals.cc>

<http://www.manual-lib.com>

<http://www.404manual.com>

<http://www.luxmanual.com>

<http://aubethermostatmanual.com>

Golf course search by state

<http://golfingnear.com>

Email search by domain

<http://emailbydomain.com>

Auto manuals search

<http://auto.somanuals.com>

TV manuals search

<http://tv.somanuals.com>