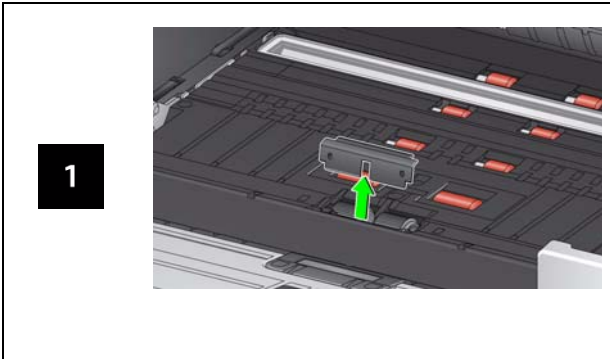
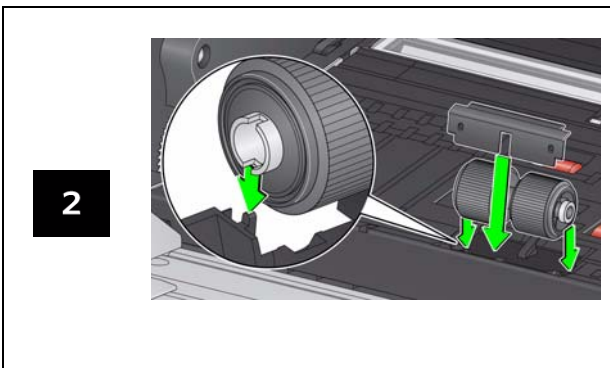
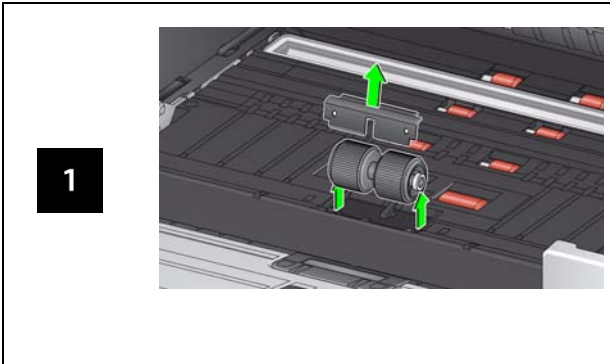


## Replace pre-separation pad Replace separation roller

### Pre-separation Pad



### Separation Roller



See the User's Guide for feed module and front transport roller replacement procedures.

## Supplies and Accessories

CAT No.	Description
129 9676	Feeder Consumables Kit
136 4421	Black Background Strip
896 5519	Staticide Wipes for <i>Kodak</i> Scanners*
169 0783	Transport Cleaning Sheets
826 6488	<i>Brilliance</i> Detailer Wipes
853 5981	Roller Cleaning Pads
818 3386	Black Ink Cartridge
159 6832	Red Ink Cartridge
CAT No.	Accessories
132 4391	Printer Accessory
189 4351	<i>Kodak</i> A3 Flatbed Accessory
119 9470	<i>Kodak</i> Legal Size Flatbed Accessory
176 3325	Flatbed Background for the i3000 Series Scanners
176 3218	Printer Carrier
135 3226	Document Extenders

To order supplies contact your scanner supplier.

\* Staticide Wipes are not available in all regions.

### IMPORTANT:

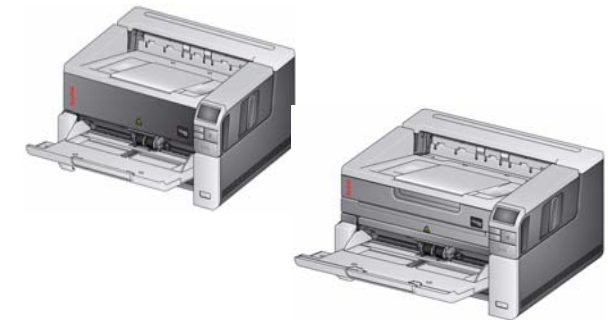
- ❑ The Roller Cleaning Pad contains sodium lauryl ether sulfate which can cause eye irritation. Refer to the MSDS for more information.
- ❑ Staticide Wipes contain isopropanol which can cause eye irritation and dry skin. Wash your hands with soap and water after performing maintenance procedures. Refer to the Material Safety Data Sheet (MSDS) for more information ([www.kodakalaris.com/go/MSDS](http://www.kodakalaris.com/go/MSDS)).

Kodak Alaris Inc.  
2400 Mount Read Blvd.  
Rochester, NY 14615  
© 2015 Kodak Alaris, Inc. All rights reserved  
A-61787 / Part #5K4972 November 2015

The Kodak trademark and trade dress are used under license from Eastman Kodak Company.



## i3000 Series Scanners



## Reference Guide

## Support Information

[www.kodakalaris.com/go/IMsupport](http://www.kodakalaris.com/go/IMsupport)

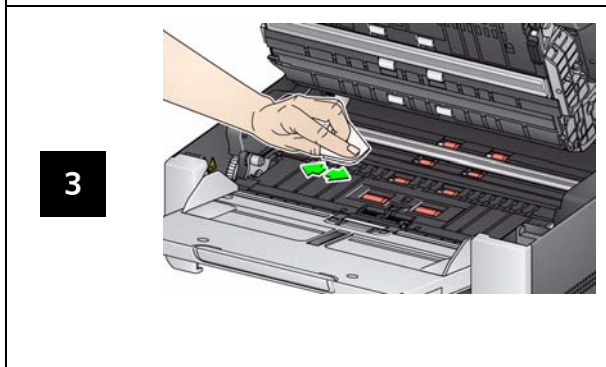
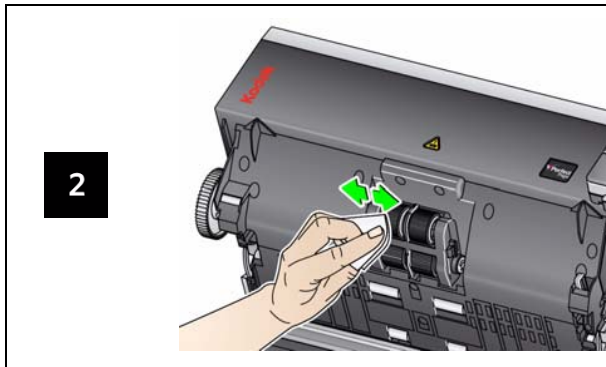
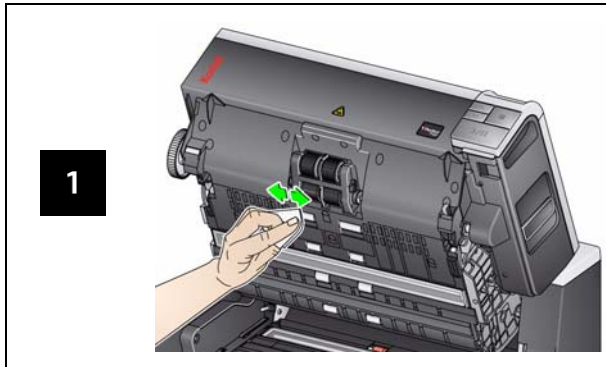
When contacting support, have the following available:

- A description of your problem
- Scanner model and serial number
- Computer configuration
- Software application you are using

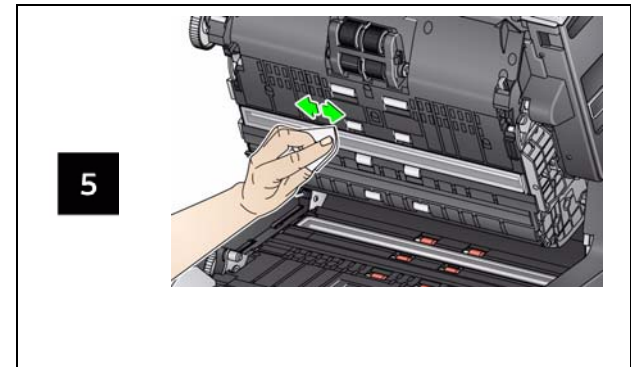
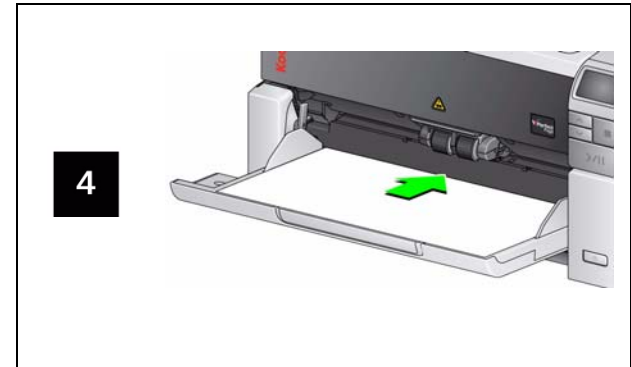
## Codes

Code	LED	Explanation
U1	Red	Check the imaging guides.
U2	Red	Ink cartridge missing.
U3	Red	Document too long.
U6	Red	Scanner cover open.
U7	Red	<ul style="list-style-type: none"> <li>Too much paper is in the input tray.</li> <li>The feed module is not inserted properly.</li> </ul>
U8	Red	Multifeed stop.
U8	Green flash	Multifeed paused; waiting for user input.
U9	Red	Document jam or the paper path is blocked.
U41, U42	Red	Calibration failed. Try the calibration again. If it fails again, call Service.
U51	Red	Timeout: USB disconnected while scanner was running. Rescan documents.
U52	Red	Timeout. Rescan documents.
U53	Red	USB speed is not supported. Be sure you are using a USB 2.0 (or higher) connection.
U55	Red	USB events over threshold. Rescan documents.
U56	Red	Image capture already started. Rescan documents.
U57	Red	Image footer is missing. Rescan documents.
Exx	Red	<ul style="list-style-type: none"> <li>Be sure all cables are connected properly.</li> <li>Turn power off and then on again.</li> </ul> If problem persists, call Service.

## Clean the transport, rollers and background strips



## Running a transport cleaning sheet and clean the imaging guides



## Cleaning the flatbed glass (for the i3250/i3450 Scanners only)



## Free Manuals Download Website

<http://myh66.com>

<http://usermanuals.us>

<http://www.somanuals.com>

<http://www.4manuals.cc>

<http://www.manual-lib.com>

<http://www.404manual.com>

<http://www.luxmanual.com>

<http://aubethermostatmanual.com>

Golf course search by state

<http://golfingnear.com>

Email search by domain

<http://emailbydomain.com>

Auto manuals search

<http://auto.somanuals.com>

TV manuals search

<http://tv.somanuals.com>