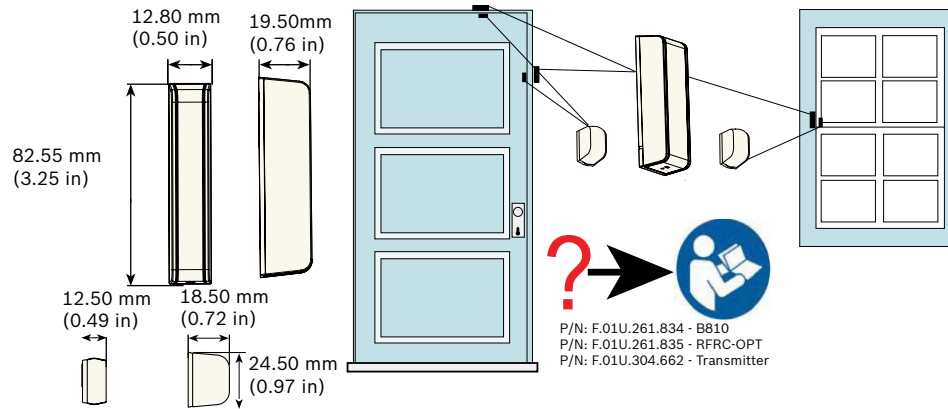


RADION contact SM
RFDW-SM/RFDW-SM-A



Installation Manual



P/N: F.01U.261.834 - B810
P/N: F.01U.261.835 - RFRC-OPT
P/N: F.01U.304.662 - Transmitter

UL - only models RFDW-SM-A are evaluated by UL
UL634: Standard for Connectors and Switches for use with Burglar-Alarm Systems
UL1023: Household Burglar-Alarm System Units

FCC, Part 15
Industry Canada (IC)
INCERT
B-509-0072
RFDW-SM only

VdS
HI16003
RFDW-SM only

Bosch YouTube Channel:

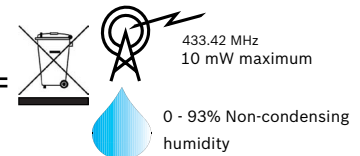
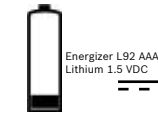
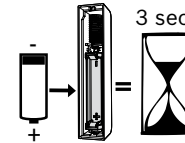


AFNOR - only
RFDW-SM is certified
AFNOR: www.marque-nf.com
CNPP: www.cnpp.com
NF324-H58
Certificate number 2120200022
RTC 50131-2-6
Autosurveillance a l'ouverture

CE
EN
EN 50131-2-6
EN 50131-5-3
Grade 2
Environment Class II

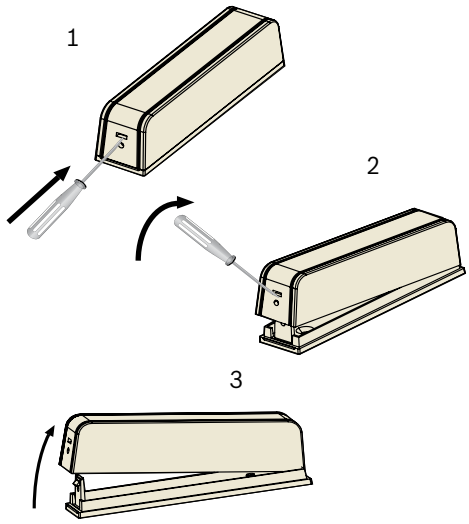
ANATEL

Brazil	ANATEL	Modelo: RFDW-SM-A 02798-13-01855	Este equipamento opera em caráter secundário, isto é, não tem direito a proteção contra interferência prejudicial, mesmo de estações do mesmo tipo, e não pode causar interferência a sistemas operando em caráter primário
--------	--------	----------------------------------	---

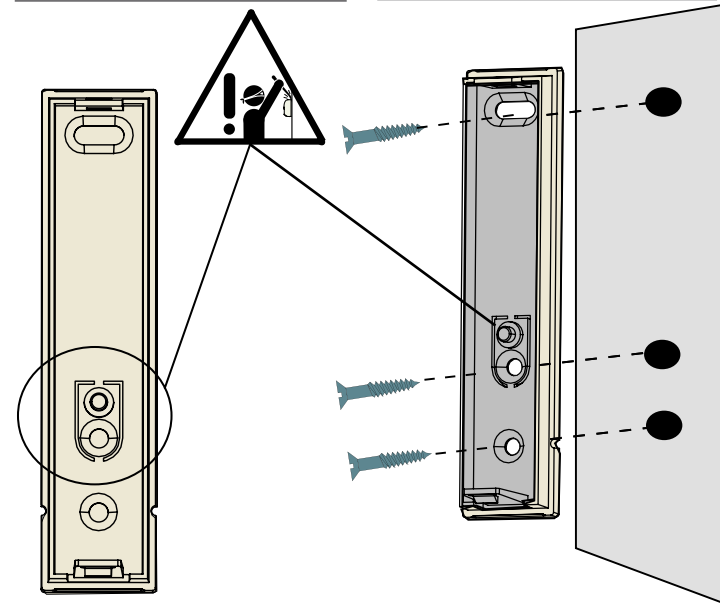


Functional range: -10°C to +55°C (+14°F to +131°F)
UL only: 0°C to +49°C (+32°F to +120°F)
EN 50130-5 Class II: -10°C to +55°C (+14°F to +131°F)
IP30/IK04

1

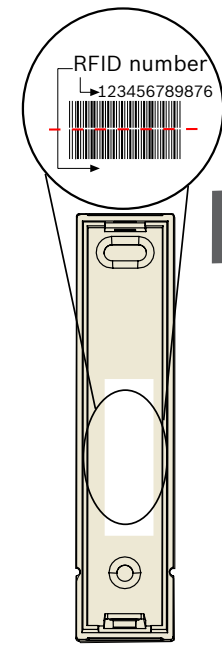


2



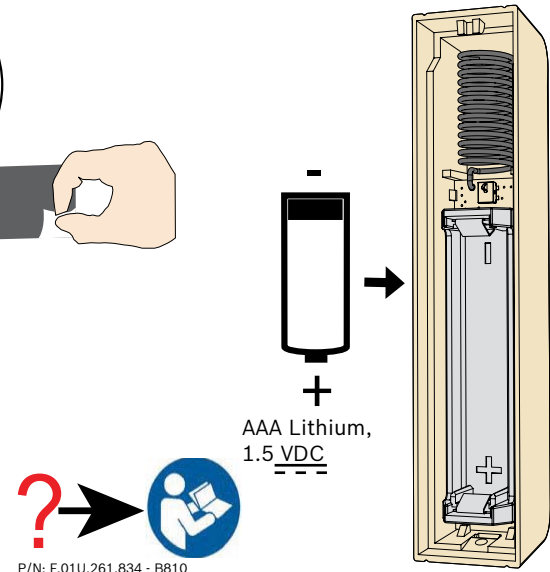
3

4

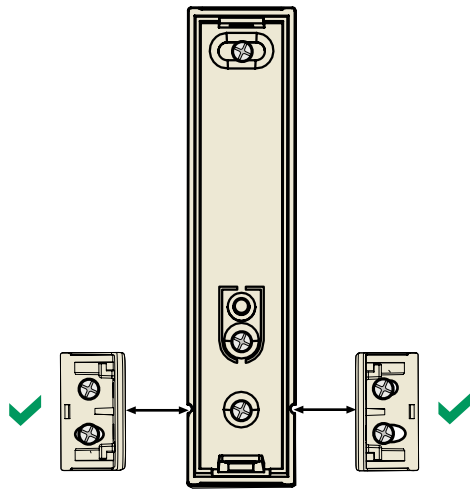


P/N: F.01U.261.834 - B810
P/N: F.01U.261.835 - RFRC-OPT
P/N: F.01U.304.662 - Transmitter

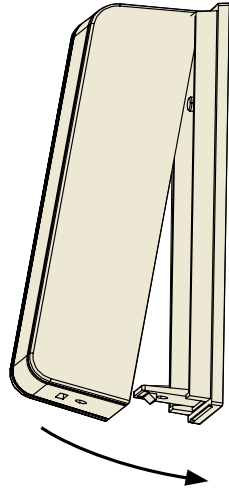
5



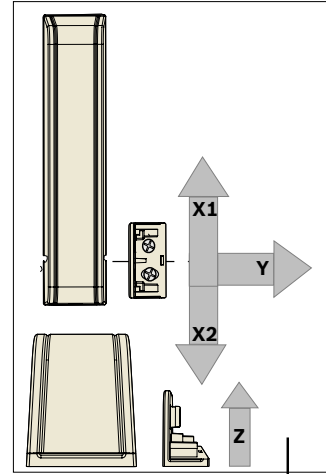
6



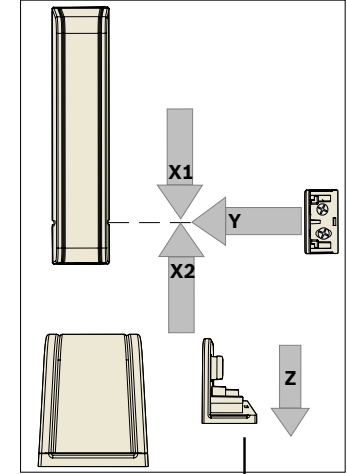
7



8

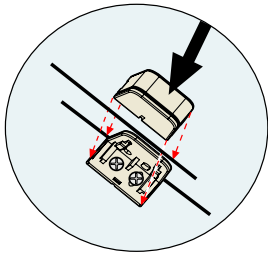


	Y	$20.0 \pm 4.0 \text{ mm}$ ($0.79 \pm 0.16 \text{ in}$)
	X1	$13.0 \pm 3.0 \text{ mm}$ ($0.51 \pm 0.12 \text{ in}$)
	X2	$15.5 \pm 4.5 \text{ mm}$ ($0.61 \pm 0.18 \text{ in}$)
	Z	$23.0 \pm 5.0 \text{ mm}$ ($0.91 \pm 0.13 \text{ in}$)
	Y	$14.0 \pm 7.0 \text{ mm}$ ($0.55 \pm 0.28 \text{ in}$)
	X1	$13.0 \pm 5.0 \text{ mm}$ ($0.51 \pm 0.13 \text{ in}$)
	X2	$14.0 \pm 6.0 \text{ mm}$ ($0.55 \pm 0.24 \text{ in}$)
	Z	$21.5 \pm 1.5 \text{ mm}$ ($0.85 \pm 0.06 \text{ in}$)



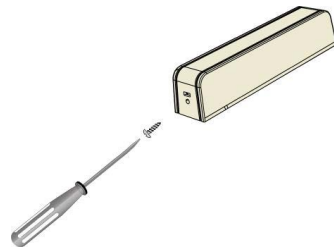
	Y	$19.0 \pm 4.0 \text{ mm}$ ($0.75 \pm 0.16 \text{ in}$)
	X1	$12.0 \pm 3.0 \text{ mm}$ ($0.47 \pm 0.12 \text{ in}$)
	X2	$14.5 \pm 4.5 \text{ mm}$ ($0.57 \pm 0.18 \text{ in}$)
	Z	$22.0 \pm 5.0 \text{ mm}$ ($0.87 \pm 0.13 \text{ in}$)
	Y	$13.0 \pm 7.0 \text{ mm}$ ($0.51 \pm 0.28 \text{ in}$)
	X1	$12.0 \pm 5.0 \text{ mm}$ ($0.47 \pm 0.13 \text{ in}$)
	X2	$13.0 \pm 6.0 \text{ mm}$ ($0.51 \pm 0.24 \text{ in}$)
	Z	$20.5 \pm 1.5 \text{ mm}$ ($0.81 \pm 0.06 \text{ in}$)

9

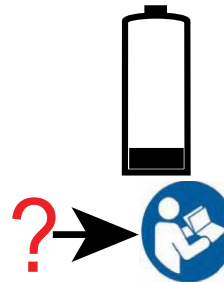


P/N: F.01U.261.834 - BB10
P/N: F.01U.261.835 - RFRC-OPT
P/N: F.01U.304.662 - Transmitter

10



11



P/N: F.01U.261.834 - BB10
P/N: F.01U.261.835 - RFRC-OPT
P/N: F.01U.304.662 - Transmitter

Copyright

This document is the intellectual property of Bosch Security Systems, Inc. and is protected by copyright. All rights reserved.

Trademarks

All hardware and software product names used in this document are likely to be registered trademarks and must be treated accordingly.

Determine Bosch Security Systems, Inc.

Product Manufacturing Dates

Use the serial number located on the product label and refer to the Bosch Security Systems, Inc web site at:

<http://www.boschsecurity.com/datecodes/>.



Free Manuals Download Website

<http://myh66.com>

<http://usermanuals.us>

<http://www.somanuals.com>

<http://www.4manuals.cc>

<http://www.manual-lib.com>

<http://www.404manual.com>

<http://www.luxmanual.com>

<http://aubethermostatmanual.com>

Golf course search by state

<http://golfingnear.com>

Email search by domain

<http://emailbydomain.com>

Auto manuals search

<http://auto.somanuals.com>

TV manuals search

<http://tv.somanuals.com>