

90 DAYS LIMITED WARRANTY

For a period of ninety (90) days from date of purchase, **Shinn Fu Co. of America, Inc.** will repair or replace, at its option, without charge, any of its products which fails due to a defect in material or workmanship, or which fails to conform to any implied warranty not excluded hereby.

Performance of any obligation under this warranty may be obtained by returning the warranted product, freight prepaid, to **Shinn Fu Co. of America, Inc.** Warranty Service Department, 10939 N. Pomona Ave., Kansas City, MO 64153.

Except where such limitations and exclusions are specifically prohibited by applicable law, (1) the CONSUMER'S SOLE AND EXCLUSIVE REMEDY SHALL BE THE REPAIR OR REPLACEMENT OF DEFECTIVE PRODUCTS AS DESCRIBED ABOVE, and (2) **Shinn Fu Co. of America, Inc.** SHALL NOT BE LIABLE FOR ANY CONSEQUENTIAL OR INCIDENTAL DAMAGE OR LOSS WHATSOEVER, and (3) THE DURATION OF ANY AND ALL EXPRESSED AND IMPLIED WARRANTIES, INCLUDING WITHOUT LIMITATION, ANY WARRANTIES OF MERCHANTABILITY AND FITNESS FOR A PARTICULAR PURPOSE, IS LIMITED TO A PERIOD OF NINETY (90) DAYS FROM DATE OF PURCHASE.

Some states do not allow limitations on how long an implied warranty lasts, so the above limitation may not apply to you. Some states do not allow the exclusion or limitation of incidental or consequential damages, so the above limitation or exclusion may not apply to you. This warranty gives you specific legal rights, and you may also have other rights which vary from state to state.

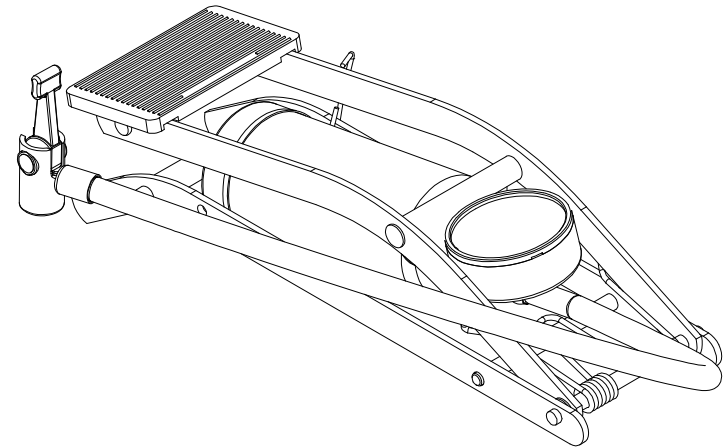


Foot Pump

Owner's Manual

Model Number
W-2037

Rated Pressure
65 psi



Shinn Fu Company of America, Inc. © 2003
10939 N. Pomona Ave.
Kansas City, MO 64153
Phone (816)891-6390, fax (816)891-6599

Printed in China
OIPM#FP-03

Save these instructions. For your safety, read, understand, and follow the information provided with and on this foot pump. The owner and operator of this equipment shall have an understanding of this foot pump and safe operating procedures before attempting to use. The owner and operator shall be aware that use of this product may require special skills and knowledge. Instructions and safety information shall be conveyed in the operator's native language before use of this foot pump is authorized. If any doubt exists as to the safe and proper use of this foot pump, remove from service immediately. **Inspect before each use.** Do not use if broken, bent, cracked, or damaged parts (including labels) are noted. Any foot pump that appears damaged in any way, operates abnormally or is missing parts, shall be removed from service immediately. It is recommended that an annual inspection be done by qualified personnel. Labels and Owner's Manuals are available from manufacturer.

PRODUCT DESCRIPTION

TailGate Tools Foot Pump is designed to deliver air pressures of up to 65 psi. Always reference the Product Label and Owner's Manual to establish rated capacity. **Intended use:** Your Foot Pump is designed to deliver a supply of compressed air for use in inflating tires, sport balls or other inflatables. Check with your inflatable product's owner's manual for proper inflation pressures.

BEFORE USE

1. Verify that the product and the application are compatible, if in doubt call Customer Support @ (816) 891-6390.
2. Before using this product, read the owner's manual completely and familiarize yourself thoroughly with the product, its components and recognize the hazards associated with its use.

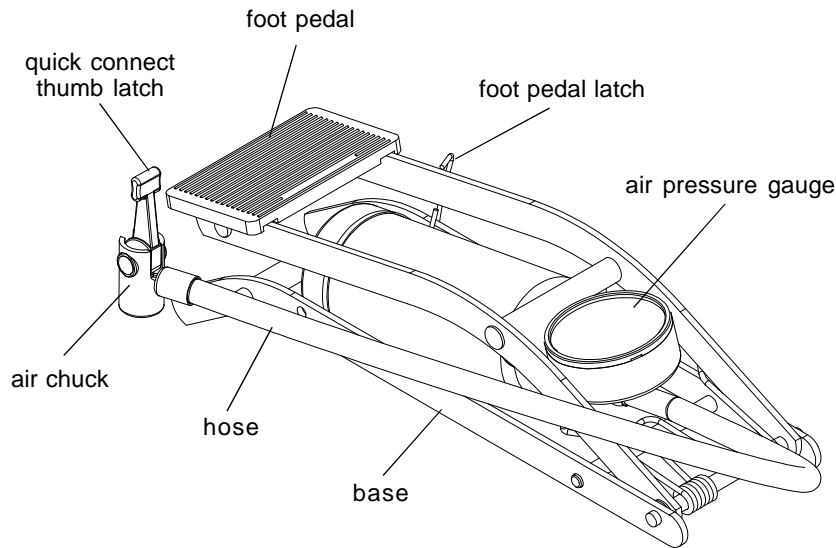


Figure 1 - Typical Foot Pump Nomenclature

⚠ WARNING

Study, understand, and follow all instructions provided with and on this device. Never exceed recommended pressure at any time. Always wear safety glasses when using this equipment. Failure to heed these markings may result in personal injury and/or property damage.

⚠ ATENCIÓN

- Leer, comprender, y seguir las instrucciones antes de utilizar el aparato.
- El manual de instrucciones y la información de seguridad deben estar comunicado en lengua del operador antes del uso.
- No seguir estas indicaciones puede causar daños personales o materiales.

! SAFETY MESSAGE !

Watch for and avoid pinch points while pumping foot pump. No alterations shall be made to this device. Only attachments and/or adapters supplied by the manufacturer shall be used.

OPERATION

Attach air chuck onto the valve stem/adapter by lifting the quick connect thumb latch on top of the air chuck. Lock air chuck onto the valve stem/adapter by lowering the quick connect thumb latch back to its original position. Pump the foot pump by stepping on the black foot pad. Do not exceed maximum air pressure.

MAINTENANCE

Periodically inspect the foot pump. Ensure that all parts move freely. Inspect the air hose for cracking and abrasions. Occasionally add a drop of motor oil to the pump piston.

Cleaning

Periodically inspect the foot pump for signs of rust or corrosion. If any rust spots are found, sand the affected area and cover with a suitable utility paint. Clean as needed and wipe with an oily cloth.

Storage

When not in use, store with pump piston fully retracted and foot pedal latched. Store indoors, do not expose to moisture or heat radiation.

Note: No replacement parts are available for this product other than the Product Label and Owners Manual.

Free Manuals Download Website

<http://myh66.com>

<http://usermanuals.us>

<http://www.somanuals.com>

<http://www.4manuals.cc>

<http://www.manual-lib.com>

<http://www.404manual.com>

<http://www.luxmanual.com>

<http://aubethermostatmanual.com>

Golf course search by state

<http://golfingnear.com>

Email search by domain

<http://emailbydomain.com>

Auto manuals search

<http://auto.somanuals.com>

TV manuals search

<http://tv.somanuals.com>