

© 2006 Jabra, GN Mobile A/S (GN Netcom A/S). All rights reserved. Jabra® is a registered trademark of GN Mobile A/S (GN Netcom A/S). All other trademarks included herein are the property of their respective owners. The Bluetooth® word mark and logos are owned by the Bluetooth SIG, Inc. and any use of such marks by GN Mobile A/S (GN Netcom A/S) is under license.
(Design and specifications subject to change without notice)



Jabra

BT 125

www.jabra.com

Made in China



RELEASE YOUR JABRA

Jabra

Bluetooth® headset

User manual

Jabra

www.jabra.com

Fig. 1

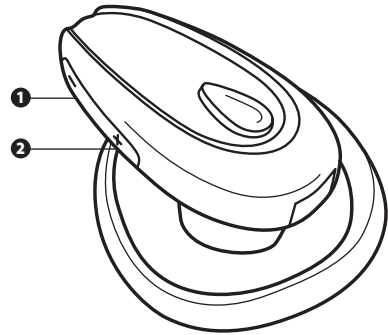


Fig. 2

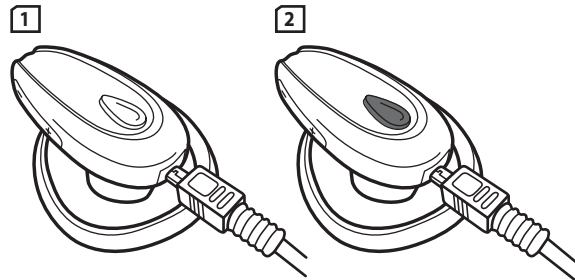


Fig. 3

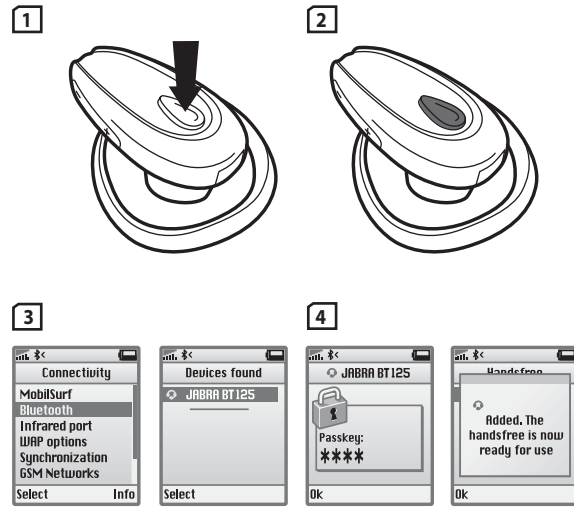


Fig. 4

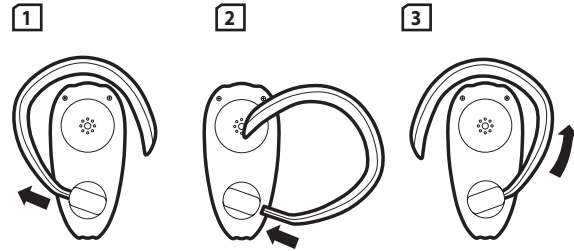
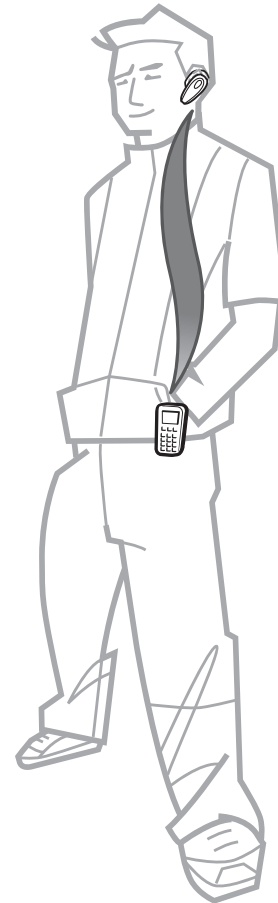


Fig. 5



Jabra

BT 125

English (US)

Français (F)

Español (ES)

Português (PT)

RELEASE YOUR JABRA

Download from Www.Somanuals.com. All Manuals Search And Download.

US	1. Thank you.....	3
F	2. About your Jabra BT125	3
ES	3. What your new headset can do	4
PT	4. Getting started.....	4
	5. Charge your headset	4
	6. Turning your headset on and off	5
	7. Pair it with your phone	5
	8. Wear it how you like it	5
	9. How to.....	6
	10. What the lights mean.....	7
	11. Troubleshooting & FAQ.....	7
	12. Need more help?.....	7
	13. Taking care of your headset.....	8
	14. Warranty.....	8
	15. Certification and safety approvals.....	9
	16. Glossary	10

1. Thank you

Thank you for purchasing the Jabra BT125 Bluetooth® headset. We hope you enjoy it!

This instruction manual will get you started and ready to make the most of your headset.

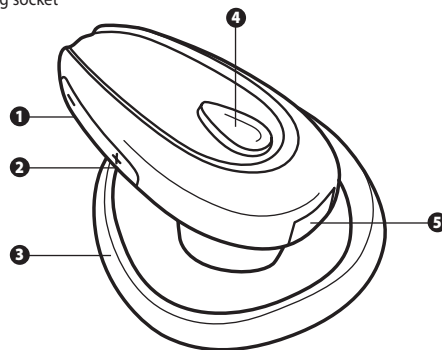
Remember, driving comes first, not the call!

Using a mobile phone while driving can distract you and increase the likelihood of an accident. If driving conditions demand it (such as bad weather, high traffic density, presence of children in the car, difficult road conditions), pull off the road and park before making or answering calls. Also, try to keep conversations short and do not make notes or read documents.

Always drive safely and follow local laws.

2. About your Jabra BT125

- 1** Volume down
- 2** Volume up
- 3** Adjustable earhook
- 4** Indicator light (LED) and answer/end button
- 5** Charging socket



US 3. What your new headset can do

Your Jabra BT125 lets you do all this (dependent on your phone supporting the function):

- Answer calls
- End calls
- Reject calls*
- Voice dialing*
- Last number redialing*
- Call waiting*
- Place call on hold*

* Phone dependent

Specifications

- Talk time up to 8 hours/standby time up to 170 hours
- Rechargeable battery with charging option from AC power supply, PC via USB cable or car charger (PC USB cable and car charger sold separately)
- Weight 1/2 oz (14g)
- Operating range up to 33 feet (10 meters)
- Headset and hands-free Bluetooth profiles
- Bluetooth specification (*see glossary page 10*) version 2.0

4. Getting started

The Jabra BT125 is easy to operate. The answer/end button on the headset performs different functions depending on how long you press it.

Instruction:	Duration of press
Tap	Press briefly
Press	Approx: 1 second
Press and hold	Approx: 5 seconds

5. Charge your headset

Make sure that your Jabra BT125 headset is fully charged for 2 hours before you start using it. Use the AC power supply to charge from a power socket. Connect your headset as shown in fig. 2. When the light indicator (LED) is solid blue, your headset is charging. When the solid blue LED light turns off, it is fully charged. (*Follow step 1-2 in fig. 2*).

6. Turning your headset on and off

- To turn on your headset press the answer/end button until you see a burst of blue flashes on the indicator light (LED)
- To turn off your headset press and hold the answer/end button until you see a burst of blue flashes on the indicator light (LED)

7. Pair it with your phone

Before you use your Jabra BT125, you need to pair it with your mobile phone. (*Follow step 1-4 in fig. 3*).

1. Put the headset in pairing mode

- Make sure the headset is off.
- **Press and hold** the answer/end button until a solid blue light comes on.

2. Set your Bluetooth phone to 'discover' the Jabra BT125

Follow your phone's instruction guide. This usually involves going to a 'setup,' 'connect' or 'Bluetooth' menu on your phone and selecting the option to 'discover' or 'add' a Bluetooth device.* (*See example from a typical mobile phone in fig. 3*).

3. Your phone will find the Jabra BT125

Your phone then asks if you want to pair with it. Accept by pressing 'Yes' or 'OK' on the phone and confirm with the **passkey or PIN = 0000 (4 zeros)**. Your phone will confirm when pairing is complete. In case of unsuccessful pairing, repeat steps 1 to 3.

8. Wear it how you like it

The Jabra BT125 is ready to wear on your right ear. If you prefer the left, gently pull out the earhook, rotate the ear hook 180°, and insert. (*See fig. 4*). The earhook can be adjusted to fit your ear better – adjust the back edge of the earhook for a more secure fit.

For optimal performance, wear the Jabra BT125 and your mobile phone on the same side of your body or within line of sight. In general, you will get better performance when there are no obstructions between your headset and your mobile phone. (*See fig. 5*).

9. How to...

Answer a call

- **Tap** the answer/end button on your headset to answer a call.

End a call

- **Tap** the answer/end button to end an active call.

Make a call

- When you make a call from your mobile phone, the call will (subject to phone settings) automatically transfer to your headset. If your phone does not support this function, tap on the answer/end button on the Jabra BT125 to receive the call in the headset.

Reject a call*

- **Press** the answer/end button when the phone rings to reject an incoming call. Depending on your phone settings, the person who called you will either be forwarded to your voice mail or hear a busy signal.

Activate voice dialing*

- **Tap** the answer/end button. For best results, record the voice-dialing tag through your headset if your phone allows you to do so. Please consult your phone's user manual for more information about using this feature.

Redial last number*

- **Press** the answer/end button.

Adjust sound and volume

- **Press** the volume up or down (+ or -) to adjust the volume. (See fig. 1, ① & ②).

Call waiting and placing a call on hold*

This lets you place a call on hold during a conversation and answer a waiting call.

- **Press** the answer/end button once to place the active call on hold and answer the waiting call.
- **Press** the answer/end button to switch between the two calls.
- **Tap** the answer/end button to end the active conversation.

* **Phone dependent**

10. What the lights mean

What you see	What this means about your headset
Flashing blue light	Flashing every second: active on a call
Flashing blue light	Flashing every three seconds: in standby mode
Flashing blue light	Flashing three times rapidly: running low on battery
Solid blue light	Charging
Solid blue light	In pairing mode – see section 7

11. Troubleshooting & FAQ

I hear crackling noises

For the best audio quality, always wear your headset on the same side of the body as your mobile phone.

I cannot hear anything in my headset

- Increase the volume on the headset.
- Ensure that the headset is paired with the phone.
- Make sure that the phone is connected to the headset – if it does not connect either from the phone's Bluetooth menu or by tapping the answer/end button, follow the pairing procedure (**See section 3**).

I have pairing problems even though my phone indicates otherwise

You may have deleted your headset pairing connection in your mobile phone. Follow the pairing instructions in section 3.

Will the Jabra BT125 work with other Bluetooth equipment?

The Jabra BT125 is designed to work with Bluetooth mobile phones. It can also work with other Bluetooth devices that are compliant with Bluetooth version 1.1 or 1.2 and support a headset and/or hands-free profile.

I cannot use Reject call, call on hold, Redial or voice dialing

These functions are dependent on your phone supporting them. Please check your phone's manual for further details.

12. Need more help?

1. Web: www.jabra.com
(for the latest support info and online User Manuals)
2. E-mail: Tech Support: techsup@jabra.com
Information: info@jabra.com
3. Phone: **1 (800) 327-2230** (toll-free in USA)
1 (603) 579-5311 (Canada)

13. Taking care of your headset

- Always store the headset with the power off and safely protected.
- Avoid storage at extreme temperatures (above 45°C/113°F – including direct sunlight – or below -10°C/14°F). This can shorten battery life and may affect operation. High temperatures may also degrade performance.
- Do not expose the headset to rain or other liquids.

14. Warranty

Jabra limited product warranty. Jabra is a wholly owned trademark of GN Mobile (GN Netcom A/S). Jabra warrants to Purchaser that for a period of one (1) year after the date of purchase (the "Warranty Period") of any Jabra Product ("Product") by Purchaser, the Product will substantially conform to Jabra's published specifications for the Product on the date of Purchaser's purchase of the Product, subject to the terms herein. Purchaser shall notify Jabra of any nonconformance during the Warranty Period and obtain a written return material authorization ("RMA") and an RMA number for the nonconforming Product from Jabra and return the nonconforming Product to Jabra, freight prepaid, with a statement describing the nonconformity. Jabra's exclusive obligation with respect to nonconforming Product shall be, at Jabra's option and expense, to repair or replace such Product so that it substantially conforms with its published specifications on the date of Purchaser's purchase, or, if Jabra, in Jabra's sole discretion, determines that it is not possible to repair or replace the Product, Jabra may, at Jabra's option, refund to Purchaser the purchase price paid for the Product. THE FOREGOING IS PURCHASER'S SOLE AND EXCLUSIVE REMEDY FOR BREACH OF WARRANTY BY JABRA WITH RESPECT TO THE PRODUCT. The warranty set forth above shall not apply to any Product which has not been properly used or handled in accordance with the instructions supplied by Jabra, lost or misplaced for any reason, or which has been modified, repaired or altered, except by Jabra or at a Jabra authorized service facility, or which has been subjected to faulty installation, misuse, abuse, or which the Product defect is attributable to any failure or damage which is beyond the reasonable control of Jabra. This warranty is available only to Purchaser, and does not extend to any distributors, retailers, or other resellers of the Product. This warranty applies only to new Jabra products purchased from authorized retail sellers. This warranty does not apply to: "open box purchases", resales by private parties or any other third party purchases by unauthorized distributors. Transfer of Jabra products through any unauthorized distributor renders our manufacturer's warranty null and void. BUYER BEWARE: any Jabra product sold by a private party or unauthorized distributor and not by an authorized Jabra retail seller is sold on an "as is" or "with all faults" basis with respect to Jabra. As such, the entire risk as to the quality and performance of such products will be with

the buyer if the unauthorized distributor will not cover the costs of repairing defects. Should such products prove defective following their purchase, the buyer or unauthorized distributor, and not the manufacturer or its authorized retail sellers, assumes the entire cost of all necessary servicing or repair. Therefore, buyers are strongly encouraged to purchase Jabra products only from Jabra authorized retail sellers. THE FOREGOING WARRANTIES ARE THE SOLE WARRANTIES, EXPRESS OR IMPLIED, GIVEN BY JABRA IN CONNECTION WITH THE PRODUCT, AND JABRA DISCLAIMS ALL OTHER WARRANTIES, INCLUDING WARRANTIES OF MERCHANTABILITY, FITNESS FOR A PARTICULAR PURPOSE AND NON-INFRINGEMENT OF THIRD PARTY RIGHTS. JABRA SHALL NOT BE LIABLE FOR ANY SPECIAL, INCIDENTAL OR CONSEQUENTIAL DAMAGES IN CONNECTION WITH THE PRODUCT, EVEN IF JABRA HAS BEEN ADVISED OF THE POSSIBILITY OF SUCH DAMAGES. THE LIABILITY OF JABRA HEREUNDER FOR ALL CLAIMS SHALL NOT EXCEED THE AMOUNT PAID BY PURCHASER TO JABRA FOR THE PRODUCT GIVING RISE TO JABRA'S LIABILITY.

15. Certification and safety approvals

FCC

This device complies with part 15 of the FCC Rules. Operation is subject to the following two conditions: (1) This device may not cause harmful interference, and (2) this device must accept any interference received, including interference that may cause undesired operation.

Users are not permitted to make changes or modify the device in any way. Changes or modifications not expressly approved by Jabra (GN Netcom) will void the user's authority to operate the equipment.

This equipment has been tested and found to comply with the limits for a Class B digital device, pursuant to part 15 of the FCC Rules. These limits are designed to provide reasonable protection against harmful interference in a residential installation. This equipment generates, uses and can radiate radio frequency energy and, if not installed and used in accordance with the instructions, may cause harmful interference to radio communications. However, there is no guarantee that interference will not occur in a particular installation. If this equipment does cause harmful interference to radio or television reception, which can be determined by turning the equipment off and on, the user is encouraged to try to correct the interference by one or more of the following measures:

- Reorient or relocate the receiving antenna.
- Increase the separation between the equipment and receiver.
- Connect the equipment into an outlet on a circuit different from that to which the receiver is connected.
- Consult the dealer or an experienced radio/TV technician for help.

US The device and its antenna must not be co-loaded or operating in conjunction with any other antenna or transmitter.

F **Industry Canada**

ES Operation is subject to the following two conditions: (1) This device may not cause interference and (2) This device must accept any interference, including interference that may cause undesired operation of the device.

PT The term "IC," before the certification/registration number only signifies that registration was performed based on a Declaration of Conformity indicating that Industry Canada technical specifications were met. It does not imply that Industry Canada approved the equipment.

CE
This product is CE marked according to the provisions of the R & TTE Directive (99/5/EC).

Hereby, GN Netcom, declares that this product is in compliance with the essential requirements and other relevant provisions of Directive 1999/5/EC. For further information please consult <http://www.gnnetcom.com>

Bluetooth

The Bluetooth® word mark and logos are owned by the Bluetooth SIG, Inc. and any use of such marks by Jabra is under license. Other trademarks and trade names are those of their respective owners.

16. Glossary

- 1 **Bluetooth** is a radio technology that connects devices, such as mobile phones and headsets, without wires or cords over a short distance (approx. 33 feet). Get more information at www.bluetooth.com
- 2 **Bluetooth profiles** are the different ways that Bluetooth devices communicate with other devices. Bluetooth phones support either the headset profile, the hands-free profile or both. In order to support a certain profile, a phone manufacturer must implement certain mandatory features within the phone's software.
- 3 **Pairing** creates a unique and encrypted link between two Bluetooth devices and lets them communicate with each other. Bluetooth devices will not work if the devices have not been paired.
- 4 **Paskey or PIN** is a code that you enter on your mobile phone to pair it with your Jabra BT125. This makes your phone and the Jabra BT125 recognize each other and automatically work together.
- 5 **Standby mode** is when the Jabra BT125 is passively waiting for a call. When you 'end' a call on your mobile phone, the headset goes into standby mode.

1. Merci	12
2. À propos du micro-casque Jabra BT125	12
3. Fonctions de votre nouveau micro-casque.....	13
4. Première utilisation	13
5. Chargement de votre micro-casque.....	13
6. Allumer et éteindre votre micro-casque	14
7. Jumelage avec votre téléphone	14
8. Portez-le comme vous le souhaitez	14
9. Comment.....	15
10. Signification des voyants lumineux	16
11. Dépannage et questions fréquentes.....	16
12. Besoin d'aide supplémentaire?.....	16
13. Entretien du micro-casque.....	17
14. Garantie.....	17
15. Homologation et agréments de sécurité	18
16. Glossaire.....	20

1. Merci

Nous vous remercions d'avoir acheté un micro-casque Bluetooth® BT125.

Nous espérons que vous en serez totalement satisfait !

Ce mode d'emploi vous permettra d'utiliser et de tirer le meilleur parti de votre micro-casque.

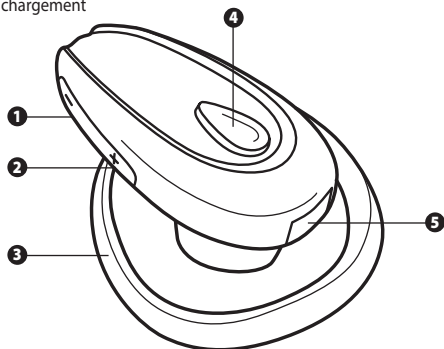
Rappelez-vous que la conduite doit passer avant les communications téléphoniques!

Toute utilisation d'un téléphone portable pendant la conduite suscite, pour le conducteur, une distraction qui peut augmenter le risque d'accident. Si les conditions de conduite l'exigent (par exemple par mauvais temps, en cas de circulation dense, de présence d'enfants dans la voiture ou de routes en mauvais état), quittez la route et garez-vous avant d'effectuer ou de répondre à un appel. Veillez aussi à écouter les communications et à ne pas prendre de notes ni lire de documents.

Conduisez toujours prudemment et respectez le code la route.

2. À propos du micro-casque Jabra BT125

- ➊ Réduction du volume
- ➋ Augmentation du volume
- ➌ Crochet auriculaire réglable
- ➍ Voyant lumineux et bouton répondre/terminer
- ➎ Prise de chargement



3. Fonctions de votre nouveau micro-casque

Votre Jabra BT125 vous permet d'exécuter toutes les opérations suivantes (selon que votre téléphone puisse prendre en charge les fonctions) :

- Répondre à des appels
- Terminer des appels
- Refuser des appels*
- Composition vocale*
- Recomposition du dernier numéro*
- Appel en attente*
- Mise en attente d'un appel*

*** Selon le modèle de téléphone**

Spécifications

- Jusqu'à 8 heures de temps de conversation et jusqu'à 170 heures de temps de veille
- Batterie rechargeable pouvant être chargée sur une alimentation secteur, à partir d'un ordinateur avec un câble USB ou avec un chargeur d'automobile (câble USB pour ordinateur et chargeur d'automobile vendus séparément)
- Poids : 14 g (1/2 oz)
- Portée : Jusqu'à 10 m (33 pieds)
- Profils micro-casque et mains-libres Bluetooth
- Spécification Bluetooth (**voir le glossaire, page 20**) version 2.0

4. Première utilisation

Le micro-casque Jabra BT125 est simple à utiliser. Le bouton répondre/terminer du micro-casque exécute des fonctions différentes en fonction de la manière dont vous l'enfoncez.

Instructions	Durée d'enfoncement
Toucher	Enfoncer très brièvement
Appuyer	Environ 1 seconde
Enfoncer	Environ 5 secondes

5. Chargement de votre micro-casque

Assurez-vous que votre micro-casque Jabra BT125 est complètement chargé (2 heures de charge) avant de commencer à l'utiliser. Utilisez l'adaptateur secteur pour le charger à partir d'une prise de courant. Connectez votre micro-casque comme indiqué dans la figure 2. Lorsque le voyant bleu est allumé en continu, le micro-casque est en cours de chargement. Lorsque le voyant bleu s'éteint, le chargement est terminé (**suivez les étapes 1-2 de la figure 2**).

6. Allumer et éteindre votre micro-casque

- Pour allumer le micro-casque, appuyez sur le bouton répondre/terminer jusqu'à ce que le voyant lumineux produise une série de clignotements bleus.
- Pour éteindre le micro-casque, appuyez sur le bouton répondre/terminer jusqu'à ce que le voyant lumineux produise une série de clignotements bleus.

7. Jumelage avec votre téléphone

Avant d'utiliser votre Jabra BT125, vous devez le jumeler avec votre téléphone mobile (suivez les étapes 1-4 de la figure 3).

1. Placez le micro-casque en mode de jumelage

- Assurez-vous que le micro-casque est éteint.
- **Enfoncez** la touche répondre/terminer jusqu'à ce que le voyant bleu s'allume en continu.

2. Réglez votre téléphone Bluetooth pour qu'il « détecte » le Jabra BT125

Consultez le guide d'utilisation de votre téléphone. En règle générale, la procédure à suivre implique d'accéder, sur votre téléphone à un menu d'installation, de connexion ou Bluetooth, puis de sélectionner l'option « détecter » ou « ajouter » un périphérique Bluetooth* (voir l'exemple d'un téléphone portable type dans la figure 3).

3. Votre téléphone détecte le micro-casque Jabra BT125

Votre téléphone vous demande ensuite si vous voulez effectuer un jumelage. Acceptez en appuyant sur « Oui » ou sur « OK » sur le téléphone, puis confirmez avec le **mot de passe ou le NIP = 0000 (4 zéros)**. Votre téléphone vous avise lorsque le jumelage est terminé. Si l'opération échoue, reprenez les étapes 1 à 3.

8. Portez-le comme vous le souhaitez

Le Jabra BT125 est livré pour être porté sur l'oreille droite. Si vous préférez le porter sur l'oreille gauche, tirez délicatement le crochet auriculaire, puis tournez-le sur 180° et insérez-le (voir la figure 4). Le crochet auriculaire peut être ajusté pour s'installer plus confortablement sur votre oreille. Vous pouvez notamment régler le rebord arrière du crochet auriculaire pour maximiser votre confort.

Pour un fonctionnement optimal, portez le micro-casque Jabra BT125 et votre téléphone portable sur le même côté ou dans un même alignement. En règle générale, vous obtiendrez un meilleur fonctionnement lorsqu'il n'y a aucun obstacle entre votre micro-casque et votre téléphone portable (voir la figure 5).

9. Comment...

Répondre à un appel

- Pour répondre à un appel, **touchez** le bouton répondre/terminer du micro-casque.

Terminer un appel

- Pour terminer un appel en cours, **touchez** le bouton répondre/terminer.

Effectuer un appel

- Lorsque vous effectuez un appel depuis votre téléphone portable, l'appel est automatiquement transféré vers votre micro-casque (selon le réglage de votre téléphone). Si cette fonction n'est pas prise en charge par votre téléphone, touchez le bouton répondre/terminer du Jabra BT125 et l'appel sera acheminé dans le micro-casque.

Refuser un appel*

- **Appuyez** une bonne seconde sur le bouton répondre/terminer lorsque le téléphone sonne et l'appel sera rejeté. Selon les paramètres de votre téléphone, le correspondant sera transféré sur votre messagerie vocale ou recevra la tonalité « occupé ».

Activer la composition vocale*

- **Touchez** la touche répondre/terminer. Pour obtenir de meilleurs résultats, enregistrez l'identité de composition vocale avec votre micro-casque (si votre téléphone le permet). Pour de plus amples informations sur cette fonction, consultez le guide d'utilisation de votre téléphone.

Rappeler le dernier numéro composé*

- **Appuyez** sur la touche répondre/terminer.

Régler le son et le volume

- Pour régler le volume, **appuyez** sur le bouton d'augmentation ou de réduction du volume (+ ou -) (voir la figure 1 **1** et **2**).

Mettre un appel en attente*

Cette fonction vous permet de mettre un appel en attente pendant que vous répondez à un autre appel.

- **Appuyez** une fois sur la touche répondre/terminer pour mettre l'appel en cours en attente et répondre à l'appel entrant.
- **Appuyez** une seconde sur le bouton répondre/terminer pour passer d'un appel à l'autre.
- **Touchez** le bouton répondre/terminer et vous terminerez l'appel actuellement en cours.

* Selon le modèle de téléphone

10. Signification des voyants lumineux

Ce que vous voyez	Signification pour votre micro-casque
Le voyant bleu clignote	Clignote toutes les secondes : Appel en cours
Le voyant bleu clignote	Clignote toutes les trois secondes : Appareil en mode veille
Le voyant bleu clignote	Clignote rapidement trois fois : Batterie faible
Le voyant bleu est allumé en continu	Batterie en charge
Le voyant bleu est allumé en continu	Mode jumelage activé (voir section 7)

11. Dépannage et questions fréquentes

J'entends des craquements

Pour une qualité audio optimale, portez toujours le micro-casque du même côté que votre téléphone portable.

Je n'entends rien dans mon casque

- Augmentez le volume de votre micro-casque.
- Assurez-vous que le micro-casque est jumelé à un téléphone.
- Assurez-vous que le téléphone est connecté au casque – s'il ne se connecte pas à partir du menu Bluetooth du téléphone ou en touchant le bouton répondre/terminer, suivez la procédure de jumelage (**voir la section 3**).

J'ai des problèmes de jumelage, même si mon téléphone indique l'inverse

Vous avez peut-être effacé la connexion de jumelage de votre micro-casque dans votre téléphone portable. Suivez les instructions de jumelage dans la section 3.

Le micro-casque Jabra BT125 fonctionne-t-il avec d'autres appareils Bluetooth?

Le micro-casque Jabra BT125 est conçu pour fonctionner avec des téléphones portables Bluetooth. Il peut aussi fonctionner avec d'autres appareils Bluetooth compatibles avec les versions Bluetooth 1.1 ou 1.2 et prenant en charge un profil micro-casque et/ou mains libres.

Je ne peux pas utiliser les fonctions de refus d'appel, mise en attente, repositionnement du dernier numéro ou composition vocale

Ces fonctions dépendent de la capacité de votre téléphone à les prendre en charge. Pour de plus amples informations, consultez le manuel de votre téléphone.

12. Besoin d'aide supplémentaire?

1. Sur Internet : www.jabra.com (Informations récentes d'assistance et guides d'utilisation en ligne)
2. Courriel : Assistance technique : techsupp@jabra.com
électronique : info@jabra.com
3. Téléphone : **1 (800) 327-2230** (numéro d'appel gratuit depuis les États-Unis)
1 (603) 579-5311 (Canada)

13. Entretien du micro-casque

- Éteignez toujours le micro-casque et emballez-le soigneusement avant de le ranger.
- Évitez de ranger votre micro-casque sous des températures extrêmes, c'est à dire au-dessus de 45°C/113°F (évitée toute exposition directe au soleil) ou au-dessous de -10°C/14°F. Ces températures risquent de réduire la longévité de la batterie et peuvent entraîner des dysfonctionnements. Les températures élevées risquent aussi de diminuer les performances.
- Évitez d'exposer le micro-casque à la pluie ou à d'autres liquides.

14. Garantie

Garantie limitée de votre produit Jabra. Jabra est une marque de commerce appartenant entièrement à GN Mobile (GN Netcom A/S). Jabra garantit à l'Acheteur que durant une période d'une (1) année à compter de la date d'achat (la « Période de garantie ») de tout produit Jabra (le « Produit ») par l'Acheteur, le Produit sera en substance conforme aux spécifications publiées par Jabra pour celui-ci à la date d'achat du Produit par l'Acheteur, sous réserve des dispositions figurant dans les présentes. L'Acheteur informera Jabra de tout défaut de conformité au cours de la Période de garantie et obtiendra de Jabra une autorisation écrite de retour de matériel (« ARM »), ainsi qu'un numéro d'ARM pour le Produit non conforme, et retournera le Produit non conforme à Jabra, en port payé, accompagné d'une déclaration décrivant le défaut de conformité. La seule obligation de Jabra concernant le Produit non conforme sera, au choix et aux frais de Jabra, de réparer ou de remplacer le Produit de sorte que celui-ci soit en substance conforme aux spécifications publiées à la date d'acquisition par l'Acheteur ou bien, si Jabra détermine à sa seule discrétion qu'il n'est pas possible de réparer ou de remplacer le Produit, Jabra pourra, à son gré, rembourser à l'Acheteur le prix d'achat payé pour le Produit. CE QUI PRÉCÈDE EST LE SEUL ET UNIQUE RECOURS DE L'ACHETEUR EN CAS DE VIOLATION DE LA GARANTIE PAR JABRA CONCERNANT LE PRODUIT. La garantie stipulée ci-dessus ne s'appliquera à aucun Produit n'ayant pas été utilisé ou manipulé de manière adéquate, conformément aux instructions fournies par Jabra, perdu ou égaré pour quelque raison que ce soit, modifié, réparé ou transformé, sauf par Jabra ou dans les installations de service agréées de Jabra, ayant fait l'objet d'une installation défectueuse, d'une mauvaise utilisation ou d'un usage abusif, ou lorsque le défaut du Produit est imputable à un défaut ou à un dommage échappant au contrôle raisonnable de Jabra. La présente garantie ne s'applique qu'à l'Acheteur et ne s'étend à aucun distributeur, détaillant ou autre revendeur du Produit. Cette garantie n'est applicable qu'aux nouveaux produits Jabra achetés auprès de revendeurs agréés. Cette garantie ne s'applique pas aux « achats de boîtes ouvertes », aux produits revendus par des particuliers et à tout achat via un intermédiaire non autorisé. Toute cession de produits Jabra par le biais de

US tout distributeur non autorisé rend caduque notre garantie de fabricant.

F AVERTISSEMENT À L'ACHETEUR : Tout produit Jabra vendu par un tiers privé ou par un distributeur non autorisé et non par un détaillant agréé Jabra est vendu « en l'état » et « tous défauts compris » en ce qui concerne Jabra.

ES À ce titre, la totalité du risque en matière de qualité et de fonctionnement de ces produits sera à la charge de l'acheteur si le distributeur non autorisé refuse de prendre en charge les frais de réparation impliqués en cas de défaut de fonctionnement. Si ces produits s'avèrent défectueux à la suite de leur achat, l'acheteur ou le distributeur non autorisé (et non le fabricant ou ses revendeurs autorisés), devront prendre en charge l'intégralité des frais d'entretien et de réparation requis. En conséquence, il est fortement conseillé aux acheteurs de n'acheter les produits Jabra qu'auprès de revendeurs dûment agréés. LES GARANTIES CI-DESSUS SONT LES SEULES GARANTIES, EXPRESSES OU IMPLICITES, ACCORDÉES PAR JABRA EN LIAISON AVEC LE PRODUIT, ET JABRA REJETTE TOUTES AUTRES GARANTIES, Y COMPRIS LES GARANTIES DE QUALITÉ MARCHANDE, D'APTITUDE À UN BUT PARTICULIER ET DE NON-CONTREFAÇON DE DROIT DES TIERS. JABRA NE SERA RESPONSABLE D'AUCUN DOMMAGE SPÉCIAL, ACCIDENTEL OU ACCESSOIRE SURVENU EN LIAISON AVEC LE PRODUIT, ET CELA MÊME SI JABRA A ÉTÉ INFORMÉE DE L'ÉVENTUALITÉ DE TELS DOMMAGES. LA RESPONSABILITÉ DE JABRA EN VERTU DES PRÉSENTES POUR TOUTE DEMANDE EN INDEMNISATION N'EXCÉDERA PAS LE MONTANT PAYÉ À JABRA PAR L'ACHETEUR POUR LE PRODUIT À L'ORIGINE DE LA RESPONSABILITÉ DE JABRA.

15. Homologation et agréments de sécurité

FCC

Cet appareil est conforme à la partie 15 de la réglementation FCC. Le fonctionnement est soumis aux deux conditions suivantes : (1) Cet appareil ne peut pas provoquer d'interférences nuisibles; et (2) cet appareil doit accepter toute interférence à la réception, y compris une interférence susceptible de provoquer un fonctionnement non désiré.

Il est interdit aux utilisateurs d'apporter des changements ou de modifier cet appareil en aucune manière. Les changements ou modifications qui n'auront pas été expressément approuvés par Jabra (GN Netcom) annuleront le droit des utilisateurs à faire fonctionner cet équipement.

Cet équipement a été testé et il est considéré comme conforme aux conditions restrictives relatives à un appareil numérique de classe B, en vertu de la section 15 de la réglementation de la FCC. Ces conditions restrictives sont conçues pour fournir une protection raisonnable contre les interférences nuisibles dans le cadre d'une installation résidentielle. Cet équipement produit, utilise et émet une énergie de fréquence radio électrique. S'il n'est

pas installé et utilisé conformément aux instructions, il est susceptible de produire des interférences nuisibles pour les communications radio. Il n'est cependant aucunement garanti que des interférences ne se produiront pas dans une installation donnée. Si l'équipement provoque effectivement des interférences indésirables au niveau de la réception radio ou télévision (ce qui pourra être déterminé en éteignant l'appareil puis en le remettant en marche), l'utilisateur est encouragé à essayer de corriger ces interférences par l'une ou plusieurs des mesures suivantes :

- Réorienter et repositionner l'antenne de réception.
- Augmenter l'espace entre l'équipement et le récepteur.
- Brancher l'équipement sur une prise d'un circuit différent de celui sur lequel le récepteur est branché.
- Demander conseil auprès du détaillant ou d'un technicien radio/TV expérimenté.

L'équipement et son antenne ne doivent pas être chargés ou utilisés conjointement avec une autre antenne ou un autre émetteur.

Industrie Canada

Le fonctionnement de l'appareil est soumis aux deux conditions suivantes:

- (1) Cet appareil ne doit pas provoquer d'interférence nuisible; et (2) cet appareil doit accepter toute interférence, y compris une interférence susceptible de provoquer un fonctionnement non désiré de l'appareil.

La mention « IC » précédant le numéro de certification et/ou d'immatriculation signifie uniquement que l'immatriculation a été effectuée sur la base d'une déclaration de conformité indiquant que les spécifications techniques Industrie Canada ont bien été respectées. Le terme n'implique pas un agrément de l'équipement par Industrie Canada.

CE

Ce produit porte la marque CE conformément aux dispositions de la Directive 1999/5/CE (R&TTE).

GN Netcom déclare par la présente que ce produit est conforme aux principales exigences et autres dispositions pertinentes de la Directive 1999/5/CE. Pour de plus amples informations, nous vous invitons à visiter le site <http://www.gnnetcom.com>

Bluetooth

La marque et le logo Bluetooth® sont la propriété de Bluetooth SIG, Inc. et toute utilisation de telles marques par Jabra est sous licence. Toutes autres marques et dénominations commerciales appartiennent à leurs propriétaires respectifs.

16. Glossaire

- Bluetooth** est une technologie radio permettant de connecter des appareils, notamment un téléphone portable ou un micro-casque, sans fil ni cordon électrique, sur une courte distance (environ 10 mètres). Pour plus d'informations, rendez-vous sur le site www.bluetooth.com.
- Les profils Bluetooth** sont les différentes manières dont les appareils Bluetooth communiquent avec d'autres appareils. Les téléphones Bluetooth prennent en charge soit le profil micro-casque, soit le profil mains libres, soit les deux profils. Afin de prendre en charge un profil spécifique, le fabricant de téléphone doit intégrer certaines fonctions obligatoires dans le logiciel du téléphone.
- Le jumelage** crée un lien unique et crypté entre deux appareils Bluetooth et leur permet de communiquer entre eux. Les appareils Bluetooth ne peuvent fonctionner ensemble sans avoir été d'abord jumelés.
- Le mot de passe** ou **NIP** est un code que vous entrez dans votre téléphone portable afin d'effectuer un jumelage avec votre Jabra BT125. Il permet à votre téléphone et au micro-casque BT125 de se reconnaître et de fonctionner automatiquement ensemble.
- Le mode veille** est actif lorsque le Jabra BT125 attend passivement un appel. Lorsque vous « terminez » un appel sur votre téléphone portable, le micro-casque se place automatiquement en mode veille.

1. Gracias.....	22
2. Acerca de su Jabra BT125.....	22
3. Funciones de su nuevo auricular.....	23
4. Primeros pasos.....	23
5. Carga del auricular.....	23
6. Cómo encender y apagar el auricular	24
7. Sincronización con el teléfono.....	24
8. Preferencias de uso	24
9. Cómo	25
10. Significado de las luces.....	26
11. Resolución de problemas y preguntas frecuentes	26
12. ¿Necesita más ayuda?	26
13. Cuidado del auricular	27
14. Garantía.....	27
15. Certificación y aprobaciones de seguridad.....	28
16. Glosario.....	30

1. Gracias

Gracias por adquirir el auricular Bluetooth® Jabra BT125. ¡Esperamos que lo disfrute!

Este manual de instrucciones le explicará cómo empezar a usar su auricular y cómo aprovecharlo al máximo.

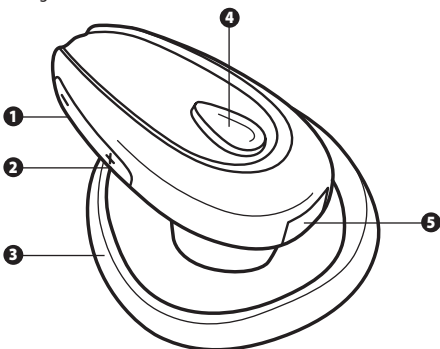
Recuerde: lo prioritario es conducir, ¡no hablar por teléfono!

Usar el teléfono móvil mientras se conduce puede provocar distracciones y aumentar la probabilidad de tener un accidente. Si las condiciones de circulación lo requieren (mal tiempo, mucho tránsito, niños en el vehículo, carretera en mal estado...), aparte el vehículo de la vía y estacionese antes de hacer o tomar llamadas. Intente también que las conversaciones sean cortas y no tome notas ni lea documentos.

Conduzca siempre de manera segura y respete las leyes locales.

2. Acerca de su Jabra BT125

- 1 Bajar volumen
- 2 Subir volumen
- 3 Clip de oreja ajustable
- 4 Indicador luminoso (LED) y botón de responder/finalizar
- 5 Entrada de carga



3. Funciones de su nuevo auricular

Su Jabra BT125 le permite hacer todo esto (si su teléfono dispone de esta función):

- Responder llamadas
- Finalizar llamadas
- Rechazar llamadas*
- Marcado activado por voz*
- Volver a marcar el último número*
- Llamada en espera*
- Retener llamada*

* Depende del teléfono

Especificaciones

- Tiempo de conversación de hasta 8 horas y tiempo en espera de hasta 170 horas
- Batería recargable con opción de carga desde una fuente de alimentación de corriente alterna (CA), desde una PC por medio de un cable USB o desde un cargador para el automóvil (no incluidos)
- Peso ¹⁴ gramos
- Hasta 10 metros de alcance operativo
- Perfiles Bluetooth de auricular y manos libres
- Versión 2.0 de la especificación Bluetooth (**consulte el glosario en la página 30**)

4. Primeros pasos

El funcionamiento de Jabra BT125 es sencillo. El botón responder/finalizar del auricular realiza distintas funciones según cuánto tiempo se lo presione.

Instrucciones:	Duración de la pulsación
Presionar brevemente	Presionar en un periodo breve
Presionar	Aprox.: 1 segundo
Mantener presionado	Aprox.: 5 segundos

5. Carga del auricular

Compruebe que su Jabra BT125 se haya cargado totalmente durante 2 horas antes de empezar a utilizarlo. Utilice la fuente de alimentación de corriente alterna (CA) para cargarlo desde una toma de corriente. Conecte su auricular tal como se muestra en la figura 2. Cuando el indicador luminoso LED esté fijo y de color azul, su auricular se estará cargando. Cuando se apague la luz azul del indicador luminoso LED significa que está totalmente cargado.

(Siga los pasos 1-2 de la figura 2).

6. Cómo encender y apagar el auricular

- Para encender su auricular, presione el botón responder/finalizar hasta que vea que la luz indicadora (LED) emite una ráfaga de parpadeos azules.
- Para apagar su auricular, mantenga presionado el botón responder/finalizar hasta que vea que la luz indicadora (LED) emite una ráfaga de parpadeos azules.

7. Sincronización con el teléfono

Antes de usar el auricular Jabra BT125, deberá sincronizarlo con su teléfono móvil. (Siga los pasos 1-4 de la figura 3).

1. Ponga el auricular en modo de sincronización

- Asegúrese de que el auricular esté apagado.
- **Mantenga presionado** el botón responder/finalizar hasta que la luz indicadora esté fija y de color azul.

2. Configure su teléfono Bluetooth para que 'detecte' el auricular Jabra BT125

Siga las instrucciones de su teléfono. En la mayoría de los teléfonos tendrá que ir al menú de 'configuración', 'conexión' o 'Bluetooth' y seleccionar la opción para 'detectar' o 'agregar' un dispositivo Bluetooth.* (La figura 3 muestra el ejemplo de un teléfono móvil normal).

3. Su teléfono celular detectará el Jabra BT125

Entonces el teléfono le preguntará si quiere sincronizarlo con él. Acepte presionando 'Sí' u 'OK' en el teléfono y confirme con **la contraseña o PIN = 0000 (4 ceros)**. Su teléfono le informará cuando haya finalizado la sincronización. Si falla el intento de sincronización, repita los pasos 1 a 3.

8. Preferencias de uso

El Jabra BT125 está listo para usarse en la oreja derecha. Si prefiere usarlo en la izquierda, retire cuidadosamente el clip de oreja, gírelo en un ángulo de 180° y vuelva a colocarlo. (Vea la figura 4) Puede ajustar el clip de oreja para que se adapte mejor a su oreja. O ajuste el borde posterior del clip de oreja para lograr un ajuste más seguro.

Para conseguir un rendimiento óptimo, ubique el Jabra BT125 y el teléfono móvil en el mismo lado del cuerpo, manteniendo una línea de visión entre ellos. En general, obtendrá un mejor rendimiento si no hay obstáculos entre el auricular y el teléfono móvil. (Consulte la figura 5).

9. Cómo...

Responder una llamada

- **Presione brevemente** el botón de respuesta/finalización del auricular para responder a una llamada.

Finalizar una llamada

- **Presione brevemente** el botón responder/finalizar para finalizar una llamada activa.

Realizar una llamada

- Cuando haga una llamada desde su teléfono móvil, ésta (según la configuración del teléfono) se transferirá automáticamente al auricular. Si su teléfono no admite esta función, presione brevemente el botón responder/finalizar en el Jabra BT125 para recibir la llamada en el auricular.

Rechazar una llamada*

- **Presione** el botón responder/finalizar cuando suene el teléfono para rechazar una llamada entrante. Según la configuración de su teléfono, la persona que llama será redirigida a su correo de voz u oír una señal de ocupado.


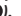
Activar el marcado activado por voz*

- **Presione brevemente** el botón responder/finalizar. Para obtener mejores resultados, grabe el identificador de marcado por voz a través del micrófono del auricular si su teléfono se lo permite. Consulte el manual del usuario de su teléfono si necesita más información sobre la utilización de esta función.

Volver a marcar el último número*

- **Presione** el botón responder/finalizar.

Ajustar el sonido y el volumen

- **Presione** el botón subir o bajar volumen (+ o -) para ajustar el volumen. (Consulte la figura 1  y .

Llamada en espera y cómo retener una llamada*

Esta función le permite retener una llamada durante una conversación y responder una llamada en espera.

- **Presione** el botón responder/finalizar una vez para retener la llamada activa y responder la llamada entrante.
- **Presione** el botón responder/finalizar para pasar de una llamada a otra.
- **Presione brevemente** el botón responder/finalizar para finalizar la conversación activa.

* Depende del teléfono

10. Significado de las luces

Lo que ve	Qué significa en relación con su auricular
Luz azul parpadeante	Un parpadeo por segundo: activo en una llamada
Luz azul parpadeante	Un parpadeo cada tres segundos: en modo de espera
Luz azul parpadeante	Tres parpadeos rápidos: batería baja
Luz azul fija	Cargando
Luz azul fija	En modo de sincronización: consulte la sección 7

11. Resolución de problemas y preguntas frecuentes

Oigo ruidos crujientes

Para conseguir la mejor calidad de audio, ubique siempre el auricular en el mismo lado del cuerpo que el teléfono móvil.

No puedo oír nada en el auricular

- Aumente el volumen del auricular.
- Asegúrese de que el auricular esté sincronizado con el teléfono.
- Asegúrese de que el teléfono esté conectado con el auricular, si no logra conectarlo desde el menú Bluetooth del teléfono o presionando brevemente el botón responder/ finalizar, siga las instrucciones de sincronización (**Consulte la sección 3**).

Tengo problemas de sincronización, aunque mi teléfono indica lo contrario

Es posible que haya borrado de su teléfono móvil la conexión de sincronización del auricular. Siga las instrucciones de sincronización de la sección 3.

¿Funciona el Jabra BT125 con otros equipos Bluetooth?

El Jabra BT125 está diseñado para funcionar con teléfonos móviles Bluetooth. También puede funcionar con otros dispositivos Bluetooth que sean compatibles con la norma Bluetooth versión 1.1 ó 1.2 y que admitan un perfil de auricular o de manos libres.

No puedo utilizar las funciones rechazar llamada, retener llamada, volver a marcar o marcado activado por voz

Esto depende de si su teléfono dispone de estas funciones. Lea el manual del teléfono para obtener más detalles.

12. ¿Necesita más ayuda?

1. Sitio Web: www.jabra.com
(para encontrar la información de asistencia más reciente y los manuales de usuario en línea).
2. Correo electrónico: techsupp@jabra.com
Asistencia técnica: info@jabra.com
3. Teléfono: **1 (800) 327-2230** (teléfono gratuito en EE.UU.)
1 (603) 579-5311 (Canadá)

13. Cuidado del auricular

- Guarde siempre el auricular apagado y protegido de forma segura
- Evite guardarlo en lugares con temperaturas extremas (por encima de 45°C/113°F incluida la luz solar directa o por debajo de -10°C/14°F). Esto puede reducir la vida útil de la batería y afectar su funcionamiento. Las temperaturas altas también pueden reducir el rendimiento.
- No exponga el auricular a la lluvia o a otros líquidos.

14. Garantía

Garantía limitada de productos Jabra. Jabra es una marca comercial que pertenece totalmente a GN Mobile (GN Netcom A/S). Jabra garantiza al Comprador que durante un periodo de un (1) año a partir de la fecha de compra ("Periodo de Garantía") de alguno de los productos de Jabra ("Producto") por parte del Comprador, el Producto cumplirá de manera sustancial con las especificaciones que Jabra ha publicado para el Producto en la fecha de la compra del Producto por parte del Comprador, conforme al presente documento. El Comprador deberá notificar a Jabra de cualquier incumplimiento durante el Periodo de Garantía y obtener de Jabra una autorización escrita de devolución de material ("RMA") y un número RMA para el producto en cuestión; además devolverá dicho Producto a Jabra, con portes pagados, con una declaración que describa el incumplimiento. La única obligación de Jabra respecto a productos en incumplimiento será, a criterio y costo de Jabra, la de reparar o sustituir dicho Producto para que cumpla de forma sustancial con las especificaciones publicadas en la fecha de la compra del Producto por parte del Comprador o, si Jabra, a criterio de Jabra, determina que no es posible reparar o sustituir el Producto, Jabra puede reembolsar al Comprador el precio de compra que se pagó por el Producto. **LO ANTERIOR ES EL ÚNICO Y EXCLUSIVO RESARCIMIENTO PARA EL COMPRADOR RESPECTO A CUALQUIER INCUMPLIMIENTO DE LA GARANTÍA POR PARTE DE JABRA CON RESPECTO AL PRODUCTO.** La garantía descrita anteriormente no tendrá vigencia cuando el Producto no haya sido usado o manipulado correctamente de acuerdo con las instrucciones suministradas por Jabra, haya sido perdido o extraviado por cualquier razón, o haya sido modificado, reparado o alterado, salvo por Jabra o en una dependencia de servicio técnico autorizada por Jabra, o haya sido sometido a instalación errónea, mal uso, abuso, o tenga defectos atribuibles a cualquier fallo o daño que esté fuera del control razonable de Jabra. Esta garantía está disponible únicamente para el Comprador y no cubrirá a distribuidores, vendedores minoristas u otros revendedores del Producto. Esta garantía es válida únicamente para productos Jabra nuevos adquiridos en comercios minoristas autorizados. Esta garantía no tiene vigencia en caso de: compras de "caja abierta", reventa por personas físicas o cualquier otra compra a terceros por

distribuidores no autorizados. La transferencia de productos Jabra a través de cualquier distribuidor no autorizado anula y deja sin efecto nuestra garantía de fabricante. **ADVERTENCIA AL COMPRADOR:** todo producto de Jabra que se compre a una persona física o un distribuidor no autorizado y no a un comercio minorista autorizado por Jabra, se vende "tal cual" o "con todos sus fallos" en lo que respecta a Jabra. Como tal, el comprador correrá con todo el riesgo respecto a la calidad y el rendimiento de dichos productos si el distribuidor no autorizado no cubre el costo de la reparación de defectos. Si dichos productos resultan defectuosos después de la compra, el comprador o el distribuidor no autorizado y no el fabricante o sus comercios minoristas autorizados, asumirá el costo total de cualquier trabajo necesario de mantenimiento o reparación. Por lo tanto, se recomienda especialmente a los compradores que adquieran productos Jabra únicamente en comercios minoristas autorizados por Jabra. **LAS GARANTÍAS ANTERIORES SON LAS ÚNICAS GARANTÍAS, EXPRESAS O IMPLÍCITAS, OTORGADAS POR JABRA RESPECTO AL PRODUCTO Y JABRA RECHAZA CUALQUIER OTRA GARANTÍA, INCLUIDAS LAS GARANTÍAS DE COMERCIALIZACIÓN, ADECUACIÓN PARA UN PROPÓSITO DETERMINADO Y NO INFRACCIÓN DE DERECHOS DE TERCEROS. JABRA NO SERÁ RESPONSABLE POR LOS DAÑOS ESPECIALES, INCIDENTALES O CONSECUENTES RESPECTO AL PRODUCTO, INCLUSO SI JABRA HA SIDO ADVERTIDO DE LA POSIBILIDAD DE DICHOS DAÑOS. LA RESPONSABILIDAD DE JABRA FRENTE A TODA RECLAMACIÓN CONFORME AL PRESENTE DOCUMENTO NO SUPERARÁ EL IMPORTE QUE EL COMPRADOR HA PAGADO A JABRA POR EL PRODUCTO EN CUESTIÓN.**

15. Certificación y aprobaciones de seguridad

FCC

Este dispositivo cumple con la parte 15 de las Normas de la FCC. Su funcionamiento está sujeto a las dos condiciones siguientes: (1) Este dispositivo no debe causar interferencias dañinas y (2) este dispositivo debe aceptar cualquier interferencia recibida, incluidas las que causen un funcionamiento no deseado.

No se permite a los usuarios efectuar cambios o modificar el dispositivo de modo alguno. Todo cambio o modificación que no tenga autorización expresa de Jabra (GN Netcom) invalidará la autoridad del usuario para utilizar el equipo.

Este equipo ha sido probado y se ha verificado que cumple los límites de un dispositivo digital de Clase B, conforme con la Parte 15 de las Normas FCC. Estos límites están diseñados para proporcionar protección razonable contra interferencias dañinas en una instalación residencial. Este equipo genera, utiliza y puede radiar energía de radiofrecuencia y, en caso de no instalarse

y utilizarse de acuerdo con las instrucciones, puede causar interferencias dañinas en las comunicaciones por radio. No obstante, no hay garantía de que no se produzcan interferencias en una instalación determinada. Si este equipo causa interferencias dañinas a la recepción de radio o televisión, lo cual puede determinarse encendiendo y apagando el equipo, se recomienda al usuario que intente corregir las interferencias con una o más de las siguientes medidas:

- Reoriente o reubique la antena de recepción.
- Aumente la separación entre el equipo y el receptor.
- Conecte el equipo a una toma de corriente en un circuito distinto de aquel al cual está conectado el receptor.
- Consulte con el distribuidor o con un técnico experimentado en radio o televisión.

El dispositivo y su antena no deben cargarse ni ser utilizados junto con otras antenas o transmisores.

Industry Canada (Ministerio de Industria de Canadá)

Su funcionamiento está sujeto a las dos condiciones siguientes: (1) Este dispositivo no debe causar interferencias y (2) este dispositivo debe aceptar toda interferencia, incluidas las que causen un funcionamiento no deseado del dispositivo.

El término "IC." que antecede al número de certificación/registro significa únicamente que el registro realizado se basó en una Declaración de Conformidad que indicaba el cumplimiento de las especificaciones técnicas de Industry Canada. No implica que Industry Canada haya aprobado el equipo.

CE

Este producto está marcado como CE conforme al texto de la Directiva R & TTE (99/5/EC).

Por medio de la presente, GN Netcom declara que este producto cumple con los requisitos básicos y otras normativas pertinentes de la Directiva 1999/5/EC.

Para obtener más información, visite <http://www.gnnetcom.com>

Bluetooth

La marca Bluetooth® y los logotipos son propiedad de Bluetooth SIG, Inc. y cualquier uso de dichas marcas por Jabra se realiza bajo licencia. El resto de las marcas y nombres comerciales son propiedad de sus respectivos titulares.

16. Glosario

- 1 Bluetooth** es una tecnología de radio que conecta dispositivos como teléfonos móviles y auriculares sin usar cables y a una distancia corta. (aproximadamente 10 metros). Encontrará más información en www.bluetooth.com
- 2 Los perfiles Bluetooth** son las diferentes maneras en las que los dispositivos Bluetooth se comunican con otros dispositivos. Los teléfonos móviles Bluetooth admiten los perfiles de auricular, de manos libres o ambos. Para admitir un perfil determinado, un fabricante de teléfonos debe implementar determinadas características obligatorias en el software del teléfono.
- 3 La sincronización** crea un enlace exclusivo y cifrado entre dos dispositivos Bluetooth que permite la comunicación entre ellos. Los dispositivos Bluetooth no funcionan entre ellos si no han sido sincronizados previamente.
- 4 La contraseña o PIN** es un código que se introduce en el teléfono móvil para sincronizarlo con el Jabra BT125. De este modo, el teléfono y el Jabra BT125 se reconocen entre ellos y funcionan conjuntamente de modo automático.
- 5 El modo en espera** es aquel en el cual el Jabra BT125 espera pasivamente una llamada. Cuando usted 'finaliza' una llamada en su teléfono móvil, el auricular pasa a modo de espera.

1. Obrigado.....	32
2. Sobre o Jabra BT125	32
3. O que o novo fone de ouvido pode fazer	33
4. Introdução.....	33
5. Carregar o fone de ouvido.....	33
6. Ligar e desligar o fone de ouvido.....	34
7. Emparelhar com o celular	34
8. Use-o da forma que desejar	34
9. Como	35
10. O que significam as luzes.....	36
11. Resolução de problemas e perguntas freqüentes	36
12. Necessita de mais ajuda?	36
13. Cuidados com o fone de ouvido	37
14. Garantia	37
15. Certificação e aprovações de segurança.....	38
16. Glossário.....	40

1. Obrigado

Obrigado por adquirir o fone de ouvido Jabra BT125 Bluetooth®. Esperamos que desfrute dele!

Este manual de instruções irá orientá-lo durante os primeiros passos e ajudá-lo a obter o maior rendimento do seu fone de ouvido.

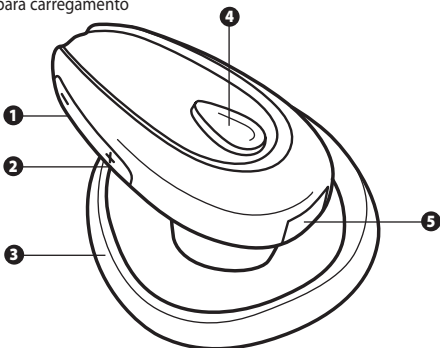
Lembre-se: dirigir é a prioridade, e não a chamada!

A utilização de um telefone celular enquanto dirige poderá distraí-lo e aumentar a probabilidade de um acidente vir a ocorrer. Se as condições de direção assim o exigirem (como más condições atmosféricas, a presença de crianças dentro do veículo, estrada em mau estado), encoste o veículo e estacione em um local seguro antes de iniciar ou atender chamadas telefônicas. Além disso, tente encurtar o tempo da conversa e não tome notas nem leia documentos.

Dirija sempre com segurança e respeite a legislação em vigor.

2. Sobre o Jabra BT125

- 1 Diminuir volume
- 2 Aumentar volume
- 3 Encaixe de ouvido ajustável
- 4 Indicador luminoso (LED) e botão atender/encerrar
- 5 Encaixe para carregamento



3. O que o novo fone de ouvido pode fazer

O Jabra BT125 permite tudo isto (dependem de o seu telefone suportar a função):

- Atender chamadas
- Encerrar chamadas
- Rejeitar chamadas*
- Discagem por voz*
- Rediscar o último número*
- Chamada em espera*
- Colocar uma chamada em espera*

* Depende do telefone

Características técnicas

- Tempo de conversação de até 8 horas e tempo de espera de até 170 horas
- Bateria recarregável com opção de carregamento a partir de adaptador CA, no PC através do cabo USB ou carregador para automóveis (cabo USB e carregador para automóveis vendidos separadamente)
- Peso 14 g
- Faixa operacional de até 10 metros
- Perfis de fone de ouvido e viva-voz Bluetooth
- Especificação do Bluetooth (*ver glossário, página 40*) versão 2.0

4. Introdução

O Jabra BT125 é muito fácil de usar. O botão atender/encerrar do fone de ouvido realiza funções diferentes, dependendo do tempo durante o qual ele é pressionado.

Instruções:	Tempo pressionado
Pressione brevemente	Pressione levemente
Pressione	Aprox.: 1 segundo
Mantenha pressionado	Aprox.: 5 segundos

5. Carregar o fone de ouvido

Certifique-se de que o fone de ouvido Jabra BT125 está totalmente carregado por duas horas antes de utilizá-lo. Utilize o adaptador CA para carregá-lo a partir de uma tomada elétrica. Conecte o fone de ouvido como mostra a fig. 2. Quando o indicador luminoso (LED) estiver azul fixo, o fone de ouvido estará carregando. Quando o LED azul fixo se desligar, ele estará totalmente carregado. (**Siga os passos 1 e 2 na fig. 2.**)

6. Ligar e desligar o fone de ouvido

- Para ligar o fone de ouvido, pressione o botão atender/encerrar até que veja o indicador luminoso (LED) mostrar centelhas azuis
- Para desligar o fone de ouvido, pressione e mantenha pressionado o botão atender/encerrar até que veja o indicador luminoso (LED) mostrar centelhas azuis

7. Emparelhar com o celular

Antes de utilizar o seu Jabra BT125, é necessário emparelhá-lo com o telefone celular. *(Siga os passos de 1 a 4 na fig. 3.)*

1. Coloque o fone de ouvido no modo de emparelhamento

- Verifique se o fone de ouvido está desligado.
- **Mantenha pressionado** o botão atender/encerrar até que a luz azul fixa se acenda.

2. Configure o telefone Bluetooth para 'detectar' o Jabra BT125

Siga o manual de instruções do telefone. Isso geralmente envolve percorrer um menu 'configurar', 'conectar' ou 'Bluetooth' no telefone celular e selecionar a opção de 'detectar' ou 'adicionar' um dispositivo Bluetooth.* *(Ver exemplo de um telefone celular típico na fig. 3.)*

3. O celular irá detectar o Jabra BT125

O telefone irá perguntar se você deseja emparelhá-lo. Aceite pressionando 'Yes' ou 'OK' no telefone e confirme com a **chave ou senha = 0000 (4 zeros)**. O celular confirmará assim que o emparelhamento estiver concluído. Em caso de um emparelhamento malsucedido, repita os passos de 1 a 3.

8. Use-o da forma que desejar

O Jabra BT125 está pronto para ser usado na orelha direita. Se preferir usá-lo na esquerda, gentilmente retire o encaixe de ouvido, gire-o 180° e insira. *(Ver fig. 4.)* O encaixe de ouvido pode ser ajustado para se adaptar melhor ao seu ouvido – ajuste a borda traseira do encaixe de ouvido para obter um ajuste mais seguro.

Para um ótimo desempenho, use o Jabra BT125 e o telefone celular do mesmo lado do seu corpo ou dentro do mesmo campo de visão. Geralmente, obtém-se um melhor desempenho quando não há obstruções entre o fone de ouvido e o telefone celular. *(Ver fig. 5.)*

9. Como...

Atender uma chamada

- **Pressione brevemente** o botão atender/encerrar no fone de ouvido para atender uma chamada.

Encerrar uma chamada

- **Pressione brevemente** o botão atender/encerrar para encerrar uma chamada em andamento.

Fazer uma chamada

- Quando fizer uma chamada através do telefone celular, a chamada (dependendo da configuração do telefone) será automaticamente transferida para o fone de ouvido. Se o seu telefone não suportar essa função, pressione brevemente o botão atender/encerrar no Jabra BT125 para receber a chamada no fone de ouvido.

Rejeitar uma chamada*

- **Pressione** o botão atender/encerrar quando o telefone tocar, para rejeitar uma chamada. Dependendo das configurações do telefone, a chamada será desviada para a caixa postal ou quem está ligando ouvirá um sinal de ocupado.

Ativar discagem por voz*

- **Pressione brevemente** o botão atender/encerrar. Para obter melhores resultados, grave a marcação de discagem ativada por voz através do fone de ouvido, se o telefone permitir. Consulte o manual do usuário do telefone para obter mais informações sobre a utilização deste recurso.

Rediscar o último número*

- **Pressione** o botão atender/encerrar.

Ajustar o som e o volume

- **Pressione** o botão de volume para aumentar ou diminuir (+ ou -) o volume. *(Ver fig. 1, 1 e 2.)*

Chamada em espera e colocando uma chamada em espera*

Isto permite colocar uma chamada em espera durante a conversação e responder uma chamada em espera.

- **Pressione** o botão atender/encerrar uma vez para colocar a chamada ativa em espera e atender a chamada em espera.
- **Pressione** o botão atender/encerrar para alternar entre as duas chamadas.
- **Pressione brevemente** o botão atender/encerrar para encerrar a chamada em andamento.

* Depende do telefone

10. O que significam as luzes

O que você vê	O que isso significa no fone de ouvido
Luz azul intermitente	Piscando uma vez por segundo: chamada em andamento
Luz azul intermitente	Piscando a cada três segundos: em modo de espera
Luz azul intermitente	Piscando três vezes rapidamente: a bateria está ficando sem carga
Luz azul fixa	Carregando
Luz azul fixa	No modo de emparelhamento - ver a seção 7

11. Resolução de problemas e perguntas frequentes

Ouçó estalos

Para obter a melhor qualidade de áudio, utilize sempre o fone de ouvido do mesmo lado do corpo que o telefone celular.

Não ouço nada no meu fone de ouvido

- Aumente o volume do fone de ouvido.
- Assegure-se de que o fone de ouvido está emparelhado com o celular.
- Verifique se o telefone está conectado ao fone de ouvido. Caso o telefone não se conecte a partir do menu Bluetooth do telefone ou pressionando-se brevemente o botão atender/encerrar, siga o procedimento de emparelhamento (*Ver seção 3*).

Estou com problemas ao emparelhar, embora o telefone indique o contrário

Você pode ter excluído a conexão de emparelhamento com o fone de ouvido no telefone celular. Siga as instruções de emparelhamento descritas na seção 3.

O Jabra BT125 é compatível com outros equipamentos Bluetooth?

O Jabra BT125 foi projetado para funcionar com telefones celulares Bluetooth. Também poderá funcionar com outros equipamentos Bluetooth que sejam compatíveis com as versões Bluetooth 1.1 ou 1.2 e suportem um perfil de fone de ouvido e/ou viva-voz.

Não consigo rejeitar uma chamada, colocar uma chamada em espera, rediscar ou usar a discagem ativada por voz

Estas funções dependem das funcionalidades suportadas pelo seu celular. Consulte o manual do celular para mais detalhes.

12. Necessita de mais ajuda?

1. Web: www.jabra.com
(para obter as mais recentes informações de suporte e Manuais de Usuário on-line)
2. E-mail: Suporte técnico: techsupp@jabra.com
Informações: info@jabra.com
3. Telefone: **1 (800) 327-2230** (ligação gratuita nos EUA)
1 (603) 579-5311 (Canadá)

13. Cuidados com o fone de ouvido

- Guarde sempre o fone de ouvido desligado e em local protegido.
- Evite guardá-lo em temperaturas extremas (acima de 45°C – incluindo a luz direta do sol – ou abaixo de -10°C). Isso pode diminuir a vida da bateria e afetar o funcionamento. Temperaturas altas também podem afetar o desempenho.
- Não exponha o fone de ouvido à chuva nem outros líquidos.

14. Garantia

Garantia limitada do produto Jabra. Jabra é uma marca comercial de propriedade integral da GN Mobile (GN Netcom A/S). A Jabra garante ao Comprador que, pelo período de 1 (um) ano após a data de compra (o "Período de garantia") de qualquer produto Jabra ("Produto") pelo Comprador, o produto estará substancialmente, conforme as especificações publicadas pela Jabra para o produto na data da compra deste pelo Comprador, sujeito às condições aqui descritas. O Comprador notificará a Jabra sobre qualquer não conformidade durante o Período de garantia e obterá uma autorização de devolução de material ("RMA") por escrito, além de um número RMA do Produto que não está em conformidade, da Jabra, e devolverá o produto à Jabra, com o frete pago antecipadamente e uma declaração por escrito da não conformidade. A obrigação exclusiva da Jabra com relação à não conformidade será, à opção e despesa da Jabra, consentir ou substituir tal Produto, de forma que ele esteja substancialmente em conformidade com as suas especificações publicadas na data da aquisição pelo Comprador ou, no caso da Jabra, a critério exclusivo da Jabra, determinar a não possibilidade de conserto ou substituição do Produto, a Jabra poderá, a sua opção, reembolsar o Comprador no preço de compra pago pelo Produto. O EXPOSTO ANTERIORMENTE É A SOLUÇÃO ÚNICA E EXCLUSIVA DO COMPRADOR PARA A QUEBRA DA GARANTIA PELA JABRA RELACIONADA AO PRODUTO. A garantia estabelecida acima não se aplicará a nenhum Produto que não tenha sido corretamente usado ou manipulado de acordo com as instruções fornecidas pela Jabra, perdido ou colocado no lugar errado por qualquer razão ou modificado, consertado ou alterado, exceto pela Jabra ou em um local de serviços autorizados Jabra, ou que tenha sido submetido a uma instalação falha, uso impróprio, abuso do Produto, ou cujo defeito seja atribuível a alguma falha ou defeito que esteja além do controle razoável da Jabra. Esta garantia está disponível apenas para o Comprador e não se estende a nenhum distribuidor, varejista ou demais revendedores do Produto. Esta garantia se aplica apenas a produtos novos Jabra, adquiridos de revendedores varejistas autorizados. Esta garantia não se aplica a: "compras com caixa aberta", vendas por particulares ou nenhuma outra compra de terceiros por distribuidores não autorizados. A transferência de produtos Jabra por meio de qualquer distribuidor não autorizado torna

a nossa garantia de fabricante nula e sem validade legal. **PRECAUÇÃO DO COMPRADOR:** qualquer produto Jabra vendido por particulares ou distribuidores não autorizados, e não por um revendedor varejista autorizado pela Jabra, é vendido "no estado em que se encontra" ou "com todas as falhas", com relação à Jabra. Como tal, o risco total quanto à qualidade e ao desempenho de tais produtos cabe ao comprador, caso o distribuidor não autorizado não cubra os custos de reparo dos defeitos. Caso tais produtos se mostrem defeituosos após a compra, o comprador ou distribuidor não autorizado, e não o fabricante ou os seus revendedores varejistas não autorizados, assume o custo total de todo o serviço ou consento necessário. Portanto, estimulamos com veemência a compra dos produtos Jabra apenas de revendedores varejistas autorizados. AS GARANTIAS ANTERIORES SÃO AS GARANTIAS EXCLUSIVAS, EXPLÍCITAS OU IMPLÍCITAS, FORNECIDAS PELA JABRA EM CONJUNTO COM O PRODUTO; A JABRA SE ISENTA DE TODAS AS DEMAIS GARANTIAS, INCLUINDO GARANTIAS DE COMERCIALIZAÇÃO, ADEQUAÇÃO PARA UM FIM ESPECÍFICO E NÃO INFRAÇÃO DE DIREITOS DE TERCEIROS. JA JABRA NÃO SE RESPONSABILIZARÁ POR NENHUM DANO ESPECIAL, ACIDENTAL OU RESULTANTE EM CONJUNTO COM O PRODUTO, AINDA QUE A JABRA TENHA SIDO AVISADA SOBRE A POSSIBILIDADE DE TAIS DANOS. A RESPONSABILIDADE DA JABRA, DE ACORDO COM ESTE DOCUMENTO, PARA TODAS AS REIVINDICAÇÕES, NÃO DEVERÁ EXCEDER O MONTANTE PAGO PELO COMPRADOR À JABRA NA AQUISIÇÃO DO PRODUTO, DANDO SURGIMENTO À OBRIGAÇÃO DA JABRA.

15. Certificação e aprovações de segurança

FCC

Este dispositivo atende às normas da FCC parte 15. Sua operação está sujeita a duas condições: (1) Este dispositivo não pode causar interferências que sejam prejudiciais; e (2) este dispositivo deve aceitar qualquer interferência recebida, inclusive interferências que possam prejudicar o seu funcionamento.

Os usuários não têm permissão, de forma alguma, de efetuar alterações ou modificar o dispositivo. As alterações ou modificações não aprovadas expressamente pela Jabra (GN Netcom) anularão a autoridade do usuário para operar o equipamento.

Este equipamento foi testado e aprovado como estando de acordo com os limites para dispositivos digitais de Classe B segundo a parte 15 dos Regulamentos da FCC. Esses limites foram criados para fornecer uma proteção razoável contra interferência prejudicial, quando o produto é operado em um ambiente residencial. Este equipamento gera, utiliza e pode irradiar energia de radiofrequência e, se não for instalado e usado de acordo

com as instruções, pode causar interferência prejudicial às comunicações de rádio. Entretanto, não há garantia de que tal interferência não ocorrerá em uma instalação particular. Se o equipamento causar interferência prejudicial à recepção de rádio ou televisão, o que pode ser determinado ligando-se e desligando-se o equipamento, recomenda-se que o usuário tente corrigir a interferência por meio de uma das medidas a seguir:

- Reorientar ou mudar o local da antena de recepção.
- Aumentar a distância entre o equipamento e o receptor.
- Conectar o equipamento a uma tomada, em um circuito diferente daquele ao qual o receptor está conectado.
- Consultar o revendedor ou um técnico de rádio/TV experiente para obter auxílio.

O dispositivo e a antena não devem ser carregados em conjunto ou operados em conjunto com qualquer outra antena ou transmissor.

Indústria do Canadá

Sua operação está sujeita a duas condições a seguir: (1) Este dispositivo não pode causar interferências; e (2) este dispositivo deve aceitar qualquer interferência, inclusive interferências que possam prejudicar o seu funcionamento.

O termo "IC:" antes do número do certificado/registo somente significa que o registo foi efetuado com base na Declaração de Conformidade indicando que foram atendidas as especificações técnicas da Indústria do Canadá. Ele não implica que a Indústria do Canadá aprovou o equipamento.

CE

Este produto tem a marca CE de acordo com as disposições da Diretiva R & TTE (99/5/EC).

Pelo presente, a GN Netcom declara que este produto obedece aos requisitos essenciais e a outras disposições relevantes da Diretiva 1999/5/EC. Para obter mais informações, consulte <http://www.gnnet.com>

Bluetooth

A logomarca e os logos Bluetooth® são de propriedade da Bluetooth SIG, Inc. e qualquer utilização de tais marcas pela Jabra está licenciada. As demais marcas registradas e nomes comerciais incluídos neste documento são propriedade de seus respectivos donos.

US

16. Glossário

F

1 **Bluetooth** é uma tecnologia de rádio que conecta dispositivos, como telefones celulares e fones de ouvido, sem fios nem cabos, a uma curta distância (aprox. 10 metros). Obtenha mais informações em www.bluetooth.com

ES

PT

- 2 **Os perfis Bluetooth** são formas diferentes por meio das quais os dispositivos Bluetooth se comunicam com outros dispositivos. Os telefones Bluetooth suportam o perfil de fone de ouvido, viva-voz ou ambos. Para suportar um certo perfil, o fabricante do telefone terá que implementar alguns recursos obrigatórios no software do telefone.
3. **O emparelhamento** cria uma conexão única e criptografada entre dois dispositivos Bluetooth e permite a comunicação entre eles. Os dispositivos Bluetooth não funcionam se não tiverem sido emparelhados.
4. **A chave** ou **senha** é um código que você digita no seu telefone celular para emparelhá-lo com o Jabra BT125. Isto faz com que o celular e o Jabra BT125 se reconheçam mutuamente e trabalhem automaticamente em conjunto.
5. **Modo em espera** é quando o Jabra BT125 está passivamente aguardando uma chamada. Quando você 'encerra' uma chamada no telefone celular, o fone de ouvido fica em modo de espera.

Free Manuals Download Website

<http://myh66.com>

<http://usermanuals.us>

<http://www.somanuals.com>

<http://www.4manuals.cc>

<http://www.manual-lib.com>

<http://www.404manual.com>

<http://www.luxmanual.com>

<http://aubethermostatmanual.com>

Golf course search by state

<http://golfingnear.com>

Email search by domain

<http://emailbydomain.com>

Auto manuals search

<http://auto.somanuals.com>

TV manuals search

<http://tv.somanuals.com>