



MECABLITZ 34 AF-3 M

Operating instructions

Foreword

Dear Customer,

We thank you for your confidence in our **mecablitz MB 34 AF-3M**.

The MB 34 AF-3M flashgun has been especially designed for Minolta system cameras of the Dynax series. IMPORTANT: Never mount the flashgun in the accessory shoe of any other system camera, otherwise the flashgun's foot or the camera's accessory shoe can be destroyed! The dedicated contacts in the foot of the MB 34 AF-3M only support the controlling commands of Minolta system cameras.

The following pages give details for the correct operation of the mecablitz flashgun and summarize its fields of application.

Please read these operating instructions carefully, even if, at first sight, some points may not appear to be of interest. Our design work placed particular value on ensuring that operation of the mecablitz is as simple as possible, but it should be noted that the system cameras for which the flashgun is intended offer a great diversity of capabilities.

We wish you much pleasure with your new **Metz flashgun** in conjunction with a **Minolta Dynax system camera** to light up the darkest points, and for creative flash lighting.

Contents

1. Safety instructions	23	6. Flash synchronisation	30
2. Preparing the mecablitz for use	24	6.1 Normal synchronisation	30
2.1 Power supply	24	6.2 Slow-synchronisation	30
2.2 Loading and replacing the batteries	24	6.3 Second curtain synchronisation	31
2.3 Automatic flashgun cut-out circuit	25	7. Flash in the individual camera modes . .	32
2.4 Mounting/Removing the mecablitz	25	8. Autofocus measuring flash	33
3. Setting the mecablitz into operation . .	26	9. Flash techniques and flash functions . .	34
3.1 Preconditions	26	9.1 Automatic fill-in flash	34
3.2 Switching the flashgun on and off	26	9.2 Exposure correction	34
4. Flashgun instructions to the camera . .	27	10. Lighting and attachments	35
4.1 Flash-ready indication	27	11. Care and maintenance -	
4.2 Automatic flash sync speed control	27	Manual firing button	
4.3 Correct-exposure indication	27	Troubleshooting	36
4.4 Information displayed in the camera's viewfinder	28	12. Technical data	37
5. TTL flash control	29	Lighting distances	38

1. Safety instructions

- **NEVER** fire a flash in the immediate vicinity of the eyes! Flash fired directly in front of the eyes of a person or animal can damage the retina and lead to severe visual disorders - even blindness!
- Spent batteries should be immediately removed. Chemicals leaking out of spent batteries will damage the flashgun.
- Do not short-circuit batteries! **DANGER OF EXPLOSION!**
- Batteries should not be exposed to excessive heat, for instance sunshine, fire and the like!
- **NEVER** throw spent batteries in a fire!
- Do not expose the flashgun to dripping or splashing water!
- Protect the flashgun against excessive heat and high humidity levels! Do not keep the flashgun in the glove compartment of a car!
- In the event of flash shots with full light output observe an interval of at least 3 minutes after a series of 20 flashes. This will protect the flashgun against overload.
- **NEVER** place material that is impervious to light in front of, or directly on, the reflector screen. The reflector screen must be perfectly clean when a flash is fired. The high energy of the flash light will burn the material or damage the screen if this is not observed!
- **NEVER** dismantle the flashgun! **DANGER: HIGH VOLTAGE!** There are no components inside the flashgun that can be repaired by a layperson.

Disposal of batteries

Do not dispose of spent batteries with domestic rubbish.

Please return spent batteries to collecting points should they exist in your country!

2. Preparing the mecablitz for use

2.1 Power supply

The flashgun can only be operated with 2 CR2-type lithium batteries. This type of battery can be stored for many years with practically no loss of energy, thus making it ideal for occasional amateur flash photography.

☞ Batteries have become discharged or spent when recycling takes more than 60 seconds. The batteries should be removed from the mecablitz if the flashgun is not going to be used for a prolonged period.

2.2 Loading and exchanging batteries

- Turn off the flashgun with the main switch.
- Press the unlocking catch, slide the battery compartment lid to the right and fold open (see fig. 1).
- Insert the batteries according to the indicated battery symbols.

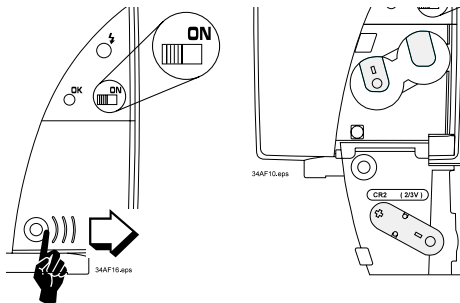



Fig. 1: Unlocking and exchanging batteries

The supplied lithium batteries are expendables and, as such, are not subject to our warranty provisions.

After the batteries have been inserted, fold down the battery compartment lid, and push to the left until it engages audible with the unlocking catch.

2. Preparing the mecablitz for use

 When loading the batteries ensure correct polarity. Incorrectly loaded batteries can destroy the flashgun! All batteries must be of the same make and have the same charge level. Exhausted batteries must not be thrown into the dustbin! Contribute to the protection of the environment and discard exhausted batteries at the appropriate disposal points.

2.3 Automatic flashgun switch-off

To avoid accidental battery discharge the flashgun automatically switches itself off to save power approximately 8 minutes after

- the flashgun was switched on
- the last flash was fired
- tripping the camera release, or
- switching on the camera light metering system.

The green flash-ready indicator is turned off.

To turn on the mecablitz again switch the main switch OFF and then ON. The flashgun should always be turned off if it is not being used.

2.4 Mounting/Removing the flashgun

- Turn off the mecablitz.
- Press the unlocking catch at the back of the mecablitz (see fig. 2).
- Slide the mounting foot into the camera's mounting shoe.
- Always turn off the flashgun before it is removed.
- Press the unlocking catch at the back of the mecablitz (fig. 2) and withdraw from the camera.

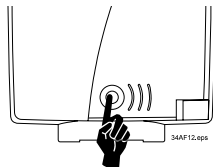


Fig. 2: Unlocking catch

3. Setting the mecablitz into operation

3.1 Preconditions

The mecablitz must only be used with TTL flash controlled cameras!

i

The sensor of TTL flash controlled cameras measures the light reaching the film through the camera lens and instantly cuts out the flash when the film has been correctly exposed. Please refer to the camera's operating instructions to find out whether your camera features this function.

A full-power flash is fired if the camera does not feature TTL flash control!

In other words: Without TTL flash control, the mecablitz fires an unmeasured flash at maximum output.

If there is a flashgun integrated in the camera it *must* be switched off or completely folded down when the mecablitz is used.

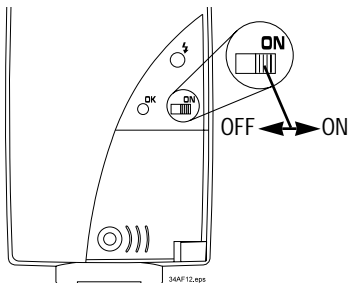


Fig. 3: Switching the flashgun on and off

3.2 Switching the flashgun on and off


Set the main switch in the ON position to turn on the flashgun. The green flash-ready indicator lights up to indicate flash readiness.

Set the main switch in the OFF position to turn off the flashgun.

4. Flashgun instructions to the camera

The mecablitz transmits different signals and messages to the camera when it is connected to the camera and is switched on.

4.1 Flash-ready indication

The green light  on the mecablitz illuminates when the flash capacitor is fully primed, thereby indicating flash readiness. This means that flash can be used for the next exposure. The flash readiness signal is transmitted to the camera where it is indicated by a corresponding display in the camera's viewfinder. On some cameras (depending on the model) the shutter is automatically changed to flash sync speed when flash readiness is reached. The flash will not be fired if the shutter is released before the flash ready light illuminates with the result that the exposure may be incorrect if the camera control circuit has already changed over to flash sync speed. Please refer to the camera's operating instructions for further details.

4.2 Automatic flash sync speed control

Most system cameras automatically change to flash sync speed when flash readiness is reached. The flash sync shutter speeds may vary between 1/30th and 1/300th second, depending on the camera model. Please refer to the camera's operating instructions for further details.

4.3 Correct-exposure indication (see fig. 4)

The red correct exposure light briefly illuminates when flash exposure was correct. At the same time the mecablitz sends an o.k. signal to the camera for display in the viewfinder.

Please refer to the camera's operating instructions for further details.

4. Flashgun instructions to the camera

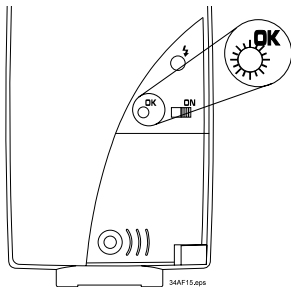


Fig. 4: Exposure o.k.

4.4 Information displayed in the camera's viewfinder

Camera models 8000i ¹⁾/ 7000i ¹⁾/ 700si ²⁾
9xi ²⁾/ 7xi ²⁾/ 5xi ²⁾

Displays in viewfinder	Meaning
Permanently illuminated	The flashgun will be triggered as soon as the release is pressed.

Permanently illuminated ²⁾
or blinks slowly¹⁾

The flashgun is primed and ready for firing

Permanently illuminated ²⁾
or blinks slowly¹⁾

The flashgun is primed and ready for firing

blinks ²⁾
blinks rapidly ¹⁾

The light output was sufficient for correct exposure

Camera models: 3xi / 2xi / SPxi / 5000i / 3000i

blinks

The flashgun is being primed

blinks slowly

The flashgun is primed and ready for firing

blinks rapidly

The light output was sufficient for correct exposure

5. TTL flash control

The mecablitz receives its information exclusively from the connected TTL-controlled camera.

Exposure measurement in TTL mode (TTL = through-the-lens) is completed by the camera's sensor. This sensor measures the light reaching the film through the camera lens. An electronic control circuit within the camera transmits a stop signal to the flashgun as soon as the film has been exposed by the correct amount of light; the flash is then instantly cut out.

The advantage of the TTL mode is that all factors influencing the exposure of the film (such as filters, change of aperture or variable aperture zooms) are taken into account. You need not worry about adjustment of the light output. The camera's electronic system automatically defines the required amount of light. You can also utilize various metering facilities (e.g. spot, matrix or centre-weighted overall readings) offered by some cameras.

The table on page 37 gives the maximum range for the selected aperture. The minimum lighting distance is approx. 15% of the maximum threshold range.



If the actual distance is shorter than the minimum lighting distance, then this may result in overexposure.

The speed of films to be exposed under TTL flash control must be between ISO 25/15 and ISO 1000/31°. Correct exposures cannot be guaranteed with other film speeds.**

A strip of film must be loaded in the camera if tests are to be conducted in TTL flash mode. The effective flash range can only be checked by the correct-exposure display (o.k.) if the flash is triggered by the camera and not with the manual release on the flashgun!

* With automatic film speed setting (DX): ISO 32/16°

6. Flash synchronisation

Different modes of flash synchronisation are possible, depending on the camera model. Please refer to the camera's operating instructions to find out how the individual modes of synchronisation are set on the camera.

6.1 Normal synchronisation

This mode is available with all TTL cameras, and it is suitable for most flash shots. With normal synchronisation, switching to the camera's flash sync shutter speed is automatic. The shutter speed may vary from 1/30th and 1/300th seconds, depending on the camera model. Please refer to the camera's operating instructions for further details.

6.2 Slow-synchronisation

Some cameras feature specific exposure programs for slow-synchronisation.

Flash shots at low lighting levels and fast shutter speeds (normal flash sync speed) can often result in overexposed subjects in front of a very dark back-ground.

The slow-sync function allows the use of slow shutter speeds right up to 30 seconds, to significantly enhance the background as a result of the extra ambient light. Such shots require a tripod to prevent camera shake. Please refer to the camera's operating instructions for further details.

6. Flash synchronisation



First curtain



Second curtain

This makes the light trail behind the moving objects instead of appearing in front of them, and renders a more natural looking picture.

6.3 Second curtain synchronisation (REAR)

Some cameras offer the facility of second shutter curtain synchronisation.

With normal synchronisation, the flash is fired precisely after the opening of the first shutter curtain. When using slow shutter speeds, and with moving objects, this would result in an unnatural rendition of light traces.

With second curtain or rear curtain synchronisation, the flash is fired as the exposure is ending, just before the second curtain covers the film again.

7. Flash in the individual camera modes

Auto program mode with flash (P-function)

In this mode, the camera automatically activates the flash function when the ambient light level is too low, it automatically adjusts the aperture and shutter speed, and triggers the flash when the shutter release is pressed.

The flashgun is not triggered in the creative program modes P_A/P_S!

Triggering control

On some cameras the flash will not be fired when the prevailing light is sufficient for an exposure in normal mode. The exposure is then completed with the settings indicated in the display field. Please refer to the camera's operating instructions for further details.

Activating the flash manually (manual fill-in flash)

Although the camera automatically activates the flash whenever the prevailing light conditions make this necessary, it is still possible to trigger the flash manually. Please refer to the camera's operating instructions for the description of this function.

Flash in the A, S and M modes

With aperture priority (A), shutter priority (S) and manual mode (M), a flash will be fired with each shot if the flash has been switched on. Camera operation in these three modes is the same as without flash.

With one exception: A shutter speed faster than the camera's flash sync speed cannot be selected.

Please refer to the camera's operating instructions for further details.

8. Autofocus measuring flash

The integrated AF red-light beam of the mecablitz supports the automatic focusing of autofocus TTL cameras. When the prevailing light is insufficient for automatic focusing, the mecablitz will project a pattern of red vertical stripes onto the subject as soon as the camera's release is lightly touched (or is activated by the eye-start system of cameras of the xi series). The camera's autofocus system then focuses the picture by this striped pattern.

Notes:

- When the camera's autofocus system is on, the electronic circuit will automatically activate the autofocus measuring flash whenever the prevailing light is insufficient for the exposure.
- Depending on the prevailing ambient light, either the AF illuminator of the camera or that of the flashgun will be activated whenever the autofocus measuring facility becomes necessary.
- The range of the autofocus measuring flash

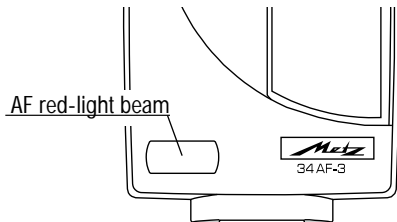


Fig. 5: AF red-light beam

depends on the speed of the lens (maximum aperture)! With an $f/1.8$ standard lens of 50 mm focal length, the range is approx. 6-10 m (depending on the sensitivity of the camera's AF sensor).

- Only the central AF sensor is supported

⚠ Low-speed lenses, e.g. with an aperture of $f/5.6$ or $f/8$ (such as zoom lenses), significantly restrict the range of the autofocus measuring flash!

9. Flash techniques and flash functions



Fig. 6: Fill-in flash in daylight (left without, right with fill-in flash)


9.1 Fill-in flash

Normally, the automatic flash function (P-function) will automatically fire the flash in daylight when shooting against the light. However, the camera may well measure sufficient ambient light so that the flash firing circuit is not activated (see page 32). The mecablitz still enables the user to activate the fill-in flash function manually when the camera would shoot the picture without flash (see also page 32 „Activating the flash manually“). Observe the corresponding displays in the camera’s viewfinder. Please refer to the camera’s operating instructions for further details.

Fill-in flash in daylight will soften harsh shadows and diminish the contrast, thereby producing a more balanced exposure when shooting against the light. The camera’s computer-controlled metering system automatically selects the shutter speed, working aperture and light output in such a manner that both the main subject in the foreground as well as the background are uniformly exposed.

9.2 Exposure correction

Various cameras enable the user to influence the TTL exposure control. Accordingly, the camera’s exposure settings can be corrected by up to ± 3 apertures (in half f-stop settings).

 **PLEASE NOTE: Do not forget to switch off this function when it is no longer required!**

Please refer to the camera’s operating instructions for further details.

10. Lighting and attachments

Your mecablitz provides full and even illumination of normal 24 x 36 mm negatives when using lenses of 35 mm focal length and longer.

A wide-angle diffuser is supplied with the flash-gun to increase the coverage if you wish to use a 28 mm wide-angle lens.

A telephoto attachment (identified with a „T“) is included for telephoto lenses of 85 mm focal length.

PLEASE NOTE: The use of the wide-angle diffuser diminishes the effective range of the flash!

Mounting and removing the attachments

The attachment is swivelled into the bayonet mount (see fig. 7). Turn the attachment clockwise and insert the guiding edge into the case gap.

To remove turn the attachment beyond the retaining spring (see fig.) and withdraw the attachment.

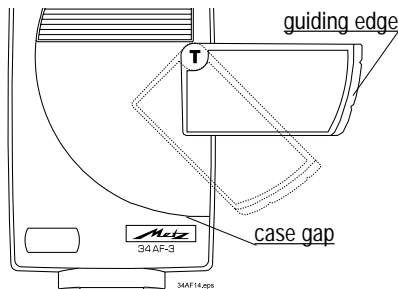


Fig. 7: Mounting and removing the attachments

11. Care and maintenance - Troubleshooting

Remove grime and dust with a soft, dry cloth. Do not use cleaning agents as these could damage the plastic parts.

Forming the flash capacitor

The flash capacitor incorporated in the flashgun undergoes a physical change when the flashgun is not switched on for prolonged periods. For this reason it is necessary to switch on the flashgun for approx. 10 minutes every 3 months and to fire a few flashes. The batteries must supply sufficient power to light up the flash-ready light within one minute after the flashgun was switched on.

Manual firing button

An uncontrolled flash can be fired with the manual firing button (see fig. 8)

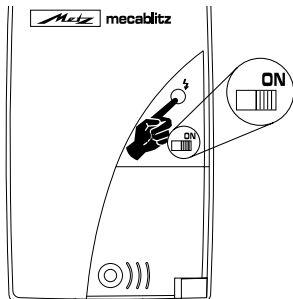


Fig. 8: Manually firing button

Troubleshooting:

If the flashgun does not work as it should in the individual modes, then proceed as follows:

- Switch off the flashgun with the main switch.
- Remove the rechargeable or dry-cell batteries for a brief period, and then load them again.

12. Technical data

Guide number ISO 100/21°: 34 (with telephoto attachment)
28 (without attachment)
20 (with wide-angle diffuser)

Lighting for 35mm camera from 35 mm focal length onwards, with wide-angle attachment from 24 mm, and with telephoto attachment from 85 mm focal length onwards.

Colour temperature: approx. 5600 °K

Synchronization: Low-voltage IGBT firing

Flash duration: 1/250 s ... 1/45000 s

Number of flashes: Flash recycling time:
ca. 100 ca. 6 s at full light output

Lighting: Rectangular

Without attachment: horiz. approx. 56°, vertical approx. 40°

With W-diffuser: horiz. approx. 75°, vertical approx. 55°

With T-attachment: horiz. approx. 25°, vertical approx. 18°

Weight: approx. 160 g

Dimensions: 61 mm x 102 mm x 35 mm

Items delivered:

Flashgun, attachments (W-diffuser/T = telephoto attachment), Operating Instructions, 2 batteries CR2.

ISO	1,4			2			2,8			4			5,6			8			11			16		
	W	N	T	W	N	T	W	N	T	W	N	T	W	N	T	W	N	T	W	N	T	W	N	T
25/15°	8	10	12	5,5	7	8,5	4	5	6	2,8	3,5	4,2	2	2,5	3	1,4	1,8	2,1	1	1,2	1,4	0,7	0,9	1
50/18°	11	14	17	8	10	12	5,5	7	8,5	4	5	6	2,8	3,5	4,2	2	2,5	3	1,4	1,8	2,1	1	1,2	1,4
100/21°	16	20	24	11	14	17	8	10	12	5,5	7	8,5	4	5	6	2,8	3,5	4,2	2	2,5	3	1,4	1,8	2,1
200/24°	22	28	34	16	20	24	11	14	17	8	10	12	5,5	7	8,5	4	5	6	2,8	3,5	4,2	2	2,5	3
400/27°	32	40	48	22	28	34	16	20	24	11	14	17	8	10	12	5,5	7	8,5	4	5	6	2,8	3,5	4,2
800/30°	45	56	67	32	40	48	22	28	34	16	20	24	11	14	17	8	10	12	5,5	7	8,5	4	5	6
max. distance in m																								

Table for max. lighting distance

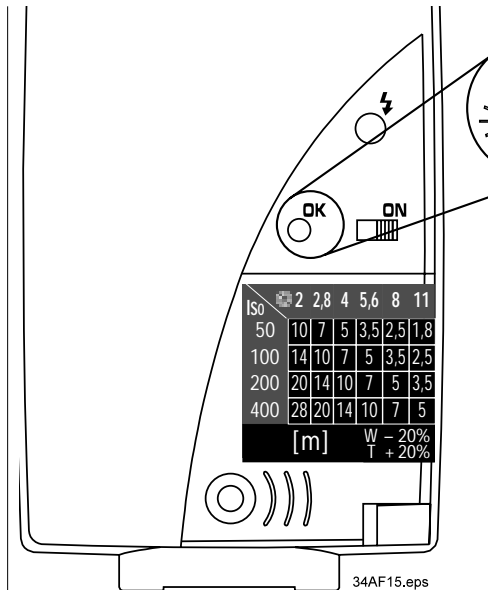
Lighting distances

ISO	2	2,8	4	5,6	8	11
50	10	7	5	3,5	2,5	1,8
100	14	10	7	5	3,5	2,5
200	20	14	10	7	5	3,5
400	28	20	14	10	7	5
[m]						W - 20% T + 20%

ISO	2	2,8	4	5,6	8	11
50	33	23	16	11	8	6
100	46	33	23	16	11	8
200	65	46	33	23	16	11
400	92	65	46	33	23	16
[ft]						W - 20% T + 20%

This table indicates a section of the most important maximum lighting distances in different ISO/aperture combinations.

The sticker can be applied to the back of the flashgun.



34AF15.eps

Free Manuals Download Website

<http://myh66.com>

<http://usermanuals.us>

<http://www.somanuals.com>

<http://www.4manuals.cc>

<http://www.manual-lib.com>

<http://www.404manual.com>

<http://www.luxmanual.com>

<http://aubethermostatmanual.com>

Golf course search by state

<http://golfingnear.com>

Email search by domain

<http://emailbydomain.com>

Auto manuals search

<http://auto.somanuals.com>

TV manuals search

<http://tv.somanuals.com>