



User's Manual

8/16-Port Enterprise KVM Switch

Model No.: SP218D/SP226D

<http://www.micronet.info>

Certifications

FCC

This equipment has been tested and found to comply with Part 15 of the FCC Rules.

Operation is subject to the following two conditions:

- (1) This device may not cause harmful interference
- (2) This device must accept any interference received. Include interference that may cause undesired operation.

CE

This equipment is in compliance with the requirements of the following regulations:

EN 55 022: CLASS B.

RoHS

All contents of this package, including products, packing materials and documentation comply with RoHS.



Table of Contents

Chapter 1 Introduction.....	1
1.1 Package Contents	1
1.2 Key Features	1
1.3 Specification	2
Chapter 2 Hardware Installation.....	3
2.1 Physical Description	3
2.1.1 Front LED	3
2.1.2 Rear Description.....	3
2.2 Cable Diagram	4
2.2.1 3-in-1 DB15 Cable.....	4
2.2.2 PS/2 (keyboard) to USB adapter	4
2.2.3 Daisy Chain Cable	4
2.3 Rack Mount Installation.....	5
2.4 3-in-1 HDB15 Cable Installation.....	6
2.5 Installation Steps	7
2.6 Daisy Chain Connection	8
Chapter 3 Operation.....	9
3.1 Push Button	9
3.2 BANK 7-seg LED.....	9
3.3 Hot Plug	10
3.4 Hotkey	10
3.4.1 Hotkey Example	10
3.4.2 Hotkey List.....	11
3.5 OSD Menu	11
3.5.1 Login Window	13
3.5.2 Port Name	14
3.5.3 Language.....	15
3.5.4 PORT NAME EDIT.....	15
3.5.5 Port Search	16

3.5.6	User Security.....	16
3.5.7	Access List	17
3.5.8	Hotkey	17
3.5.9	Time Setting	18
3.5.10	OSD Mouse.....	18
Chapter 4	Troubleshooting.....	19

Chapter 1 Introduction

Micronet proudly introduces SP218D/SP226D, 8/16-Port Enterprise KVM Switch. It is ideal for utilizing server or normal PC for centralized control on a single administrative area. With its high port quantity, it can easily scale up to enterprise level network environment. It provides both PS/2 and USB connectors for mouse and keyboard usage (Convert PS/2 to USB via convert connector). The KVM switch provides OSD and hotkey control to allow users to operate the device without hassle. For security, the device provides password protection for administrators and can be set via the OSD interface.

1.1 Package Contents

Prior to the installation of the device, please verify the following items are in the package:

- 8/16-Port Enterprise KVM Switch
- Quick Installation Guide
- Manual CD
- AC – DC Power Adapter
- Rack Mount Accessories
- Footpads Set

1.2 Key Features

- Supports multiple Operation System environments with PS/2: MS Windows, Netware, UNIX and Linux
- Support iMAC, Power MAC and Sun Micro Systems with USB port
- Provide driver-free operation where no external software is required, it can be easily operated via OSD interface, Hotkey and Push Button
- Provide Hotkey selection for commonly used keys (Scroll-Lock/ Cap-Lock/ Num-Lock/ L-Alt/ L-Ctrl/ L-Win/ R-Alt/ R-Ctrl/ R-Win)

- Support Daisy Chain function with both Bus (8-layer) and Tree (2-layer) topologies
- Provide search and naming function for PCs via OSD interface
- Combined Push Button and LED indication for switching between PC
- Support Hot Plug & Play for USB mouse and keyboard
- Multi language support for OSD interface: English, France, German, Spanish, Italian, Russian, Japanese and Simplified Chinese

1.3 Specification

Interface	<ul style="list-style-type: none"> • 8/16 x PC Ports (HDDDB-15) • 1 x Local Monitor VGA port (HDDDB-15) • 1 x Local Keyboard PS/2 port (mini din 6-pin) • 1 x Local Mouse PS/2 port (mini din 6-pin) • 1 x Daisy Chain port (Bus 8-layer and Tree 2-layer topologies, DB15 Female Connector)
KVM Cable	<ul style="list-style-type: none"> • KVM Switch side <ul style="list-style-type: none"> ➢ 3-in-1 (Monitor, Mouse, Keyboard) HDDDB-15 connector. • PC side <ul style="list-style-type: none"> ➢ Monitor (HDDDB-15) ➢ Keyboard (PS/2) ➢ Mouse (PS/2)
Advanced Features	<ul style="list-style-type: none"> • Push Button • Hotkey (Supports other hotkey selection) • On Screen Display (OSD) Interface • User Account with Password Protection • Access Control List for User Accounts • Support Hot Plug & Play (USB only)
Auto Scan	5 ~ 99 seconds
Video Resolution	1920 x 1440
Keyboard and Mouse Emulation	PS/2 or USB (Use converter to change between PS/2 and USB)
Environment	<ul style="list-style-type: none"> • Operating Temp.: 0 ~ 50 °C • Storage Temp.: -20 ~ 60 °C • Humidity: 0 ~ 95%, Non-Condensing
Power	DC Power Adapter: 12 VDC, 1A

Chapter 2 Hardware Installation

2.1 Physical Description



8-Port Front View



16-Port Front View



8-Port Rear View



16-Port Rear View

2.1.1 Front LED

LED	Status	Operation
Online	Red/On	On to indicate that a PC is successfully connected to the KVM.
Select	Blue/On	On to indicate the selected PC on the local monitor.
Bank	Bank No./On	Indicates bank number of the device (Useful for Daisy Chain connection).

2.1.2 Rear Description

- **Local Console:** This interface is for connecting local monitor, keyboard and mouse that will be used to control the KVM.
- **PC:** For connecting 3-in-1 Cable from KVM to PC.

- **Daisy Chain:** For connecting multiple KVM together.

2.2 Cable Diagram

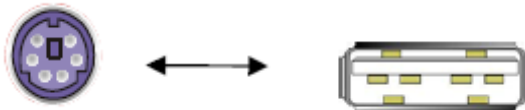
2.2.1 3-in-1 DB15 Cable

One end, HDDB15 (male) connectors with another end HDDB15 (male)/ two PS/2 (mini-din 6-pin) connectors.



2.2.2 PS/2 (keyboard) to USB adapter

PS/2 (keyboard) to USB (keyboard and mouse) adapter.



2.2.3 Daisy Chain Cable

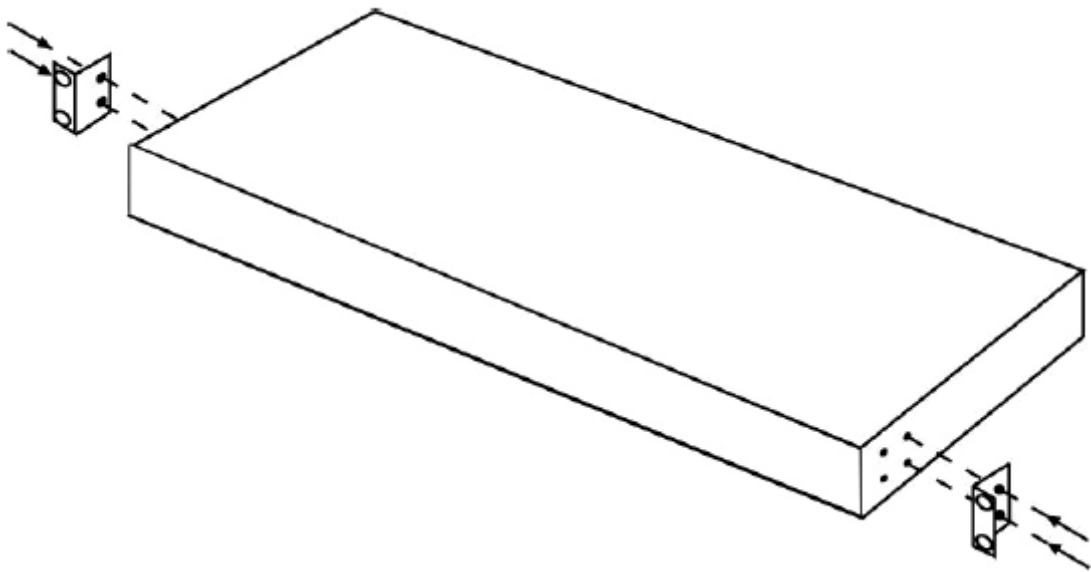
VGA Cable: HDDB15 Male to Male.



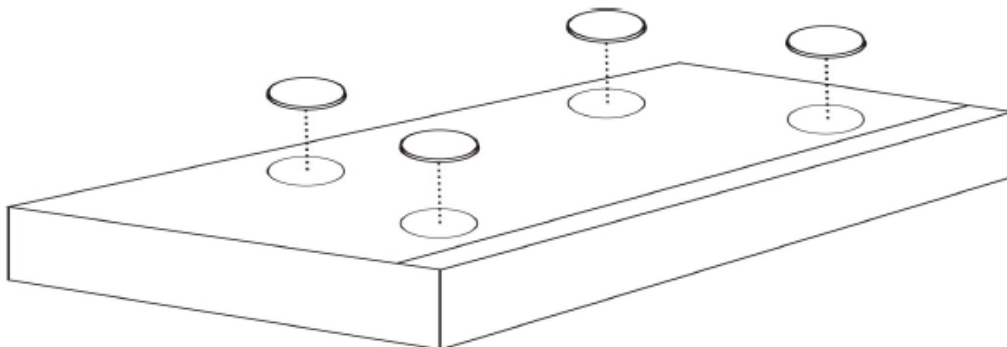
Daisy chain needs the cable all 15 lines connected. This is a special VGA cable, normal VGA cable has unconnected lines. Do not use other VGA cable for daisy chain.

2.3 Rack Mount Installation

Before installation, please make sure all of peripherals and computers have been turned off. Find a convenient place to put your KVM Switch. The 19" rack mount form factor makes it ideally mountable on a 19" rack. When mounting to a rack, attach the included brackets to the sides of the KVM Switch. Take note of the length of your cables so that your computers, KVM Switch, keyboard, mouse and monitor are distanced properly.



The KVM Switch can also be placed on a desk with attached footpads. To install footpads, please turn upside down and refer to the following instructions properly for installing the footpads.



For PC with USB port, use a PS/2 to USB converter to switch between interfaces and connect via PC's USB slot.

2.4 3-in-1 HDB15 Cable Installation

On the back of the KVM Switch, each of the 8 /16 PC ports has a HDB15 type connector. Each cable that comes with the Switch has a 3-in-1 connector at one end and a single HDB15 male connector at the other end. Plug the single connector end of the cable into the KVM PC port, and then plug the other end of cable to a PC VGA port.



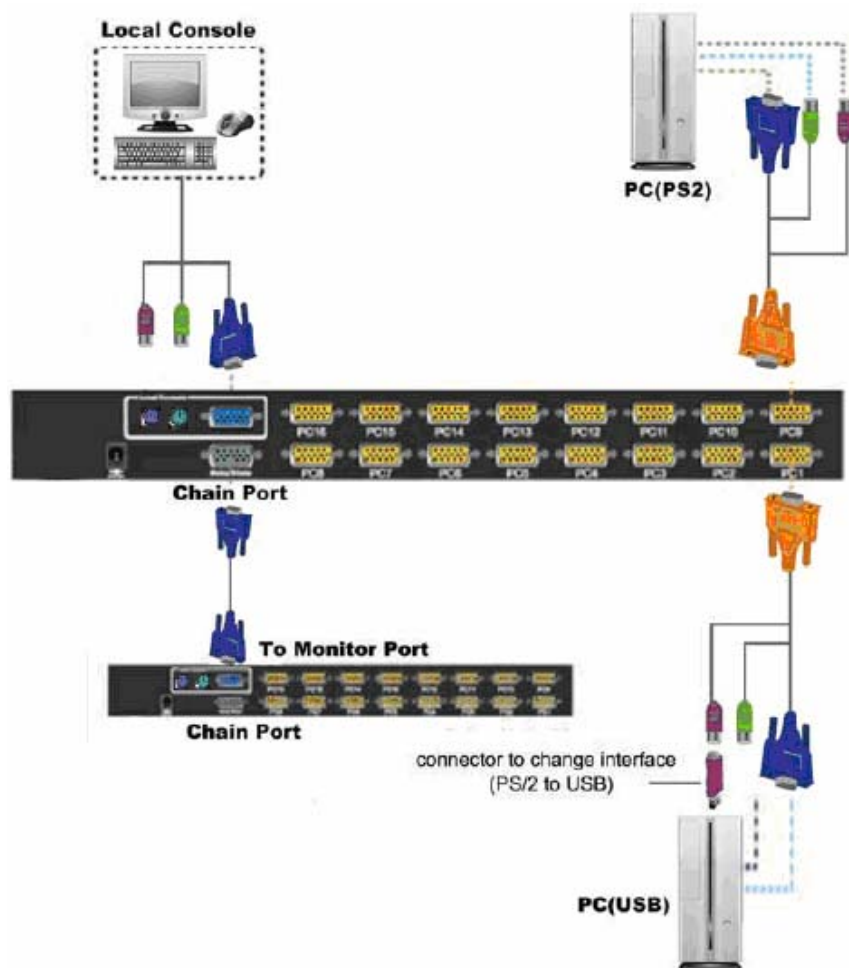
PS/2 computer --- Plug in the PS/2 mouse connector to the computer mouse port, then the PS/2 keyboard connector to computer keyboard port.



USB computer --- Install a PS/2-to-USB converter to the keyboard PS/2 connector, plug in USB connector to the PC USB port. This single USB port can handle both keyboard and mouse data.

Note: The PS/2-to-USB converter is optional, please order C200K-C while needed.

2.5 Installation Steps



Follow the steps below to setup the hardware:

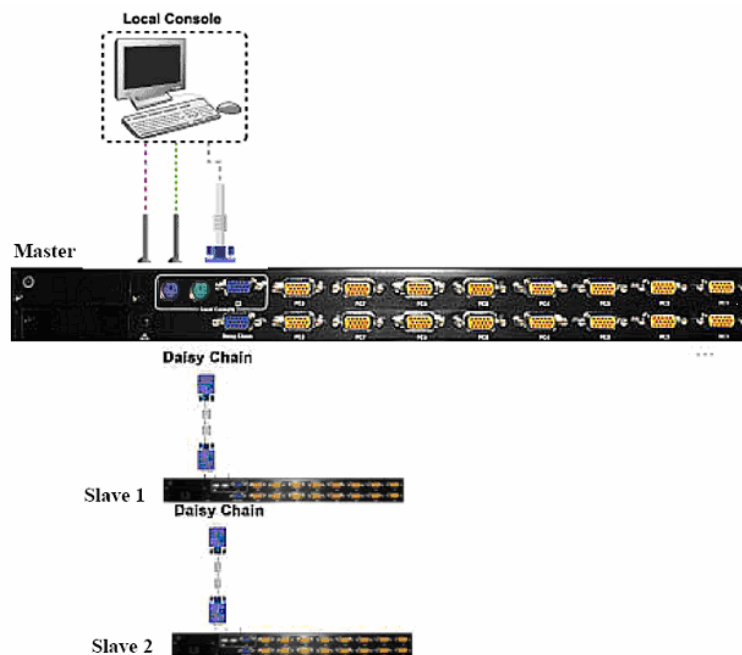
- Plug the 3-in-1 end of the KVM cable to the PC. Connect the HDB-15 connector to PC's VGA port. Attached the PS/2 connector for both mouse and keyboard to PC's PS/2 ports.
- For PC with USB port, use a PS/2 to USB converter to switch between interfaces and connect via PC's USB slot.
- Then connect the other end of the 3-in-1 cable with only a single HDB-15 connector to the PC port on the rear of KVM.
- Connecting multiple KVM together, please use a daisy chain cable (sold separately) to connect via the Daisy Chain port and Local Console's VGA port.
- Double check whether all cables/connectors are properly connected. Plug the power supply to the KVM switch and plug the AC power plug

into the electrical receptacle. Now you will see the LED of Port 1 lights up, and hear a beep sound.

- Recommended Power On sequence: Monitor, KVM then PC.

2.6 Daisy Chain Connection

Connecting multiple KVM together, please use a daisy chain cable (sold separately) to connect via the Daisy Chain port and Local Console's VGA port. Use one end of daisy chain cable to connect to the Daisy Chain port of Master KVM switch and connect the other end of daisy chain cable to the Local Console port of the next Slave KVM switch. Please repeat the connection procedures for next Slave KVM switch. Users can daisy chain up to eight banks in maximum.



The console OSD menu will show only the port information of the master KVM switch. When the master unit starts up, it will query all daisy chained Slave units, and automatically set up the Bank ID for each Slave unit. So the 7-seg LED on the Master unit will display 1, Slave 1 will display 2, Slave 2 will display 3, and so on. If not so, please reset (press "BANK" and port button) the Master unit to update the Bank ID immediately. Hot Plug function is supported in daisy chain connection. The Master unit will auto-query the daisy chained Slaves every 30 seconds.

Chapter 3 Operation

3.1 Push Button

Users can simply switch to a port by pressing the corresponding push button on the LED. For 8 ports KVM Switch, please press button 1 ~ 8 directly to select the port you want. For 16 ports KVM Switch, please press “Shift” button and individual button 1~8 simultaneously to switch to the port from port 9 to port 16. For example: Pressing “shift” button and 5 simultaneously to switch to port 13, and the port red LED will turn on. After power on the KVM switch, all of console ports will be linked to Computer port 1.



8-Port Front View



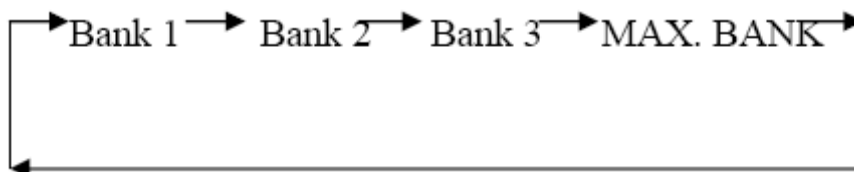
16-Port Front View

Press “BANK” button and the port button simultaneously will reset the KVM switch.

3.2 BANK 7-seg LED



When users want to view the next bank, please press “BANK” push button. The bank LED will be changed from bank 1 to the maximum daisy chain level and then to bank 1 again.



3.3 Hot Plug

The KVM Switch supports “Hot Plug” function for any non-PS/2 connectors. Users may Hot Plug the USB mouse or USB keyboard.

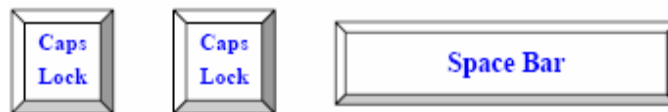
- DO NOT hot plug PS/2 port.
- Certain Operation Systems like SCO Unix or Linux does not support “Hot Plug” function. If users apply “Hot Plug” to this kind of O.S., it will cause unpredictable behavior or shut down the Computer. Before attempting to use “Hot Plug”, please make sure Operation Systems and mouse software driver support the “Hot Plug” function.

3.4 Hotkey

The KVM switch provides Hotkey feature for easy operation between connected PC. The Hotkey feature can be utilized by pressing “Caps Lock” and “Caps Lock” twice combining with other keys to initiate functions. Please press the keys in consecutive orders within 2 seconds of each key.

3.4.1 Hotkey Example

1. To initiate OSD interface, please press the following keys consecutively (For further information on operation of OSD interface, please consult the User Manual):



2. To switch between banks and ports, press the following set of keys:



- First digit refers to the bank numbers used for identifying each KVM in multiple device connections. The last two digits represent the port for each PC connected to the KVM switch.

3. The OSD interface can also be accessed via Mouse:

- Press and hold the left button of the mouse and hit the Esc key to show the Status screen.
- Press and hold the right button of the mouse and hit the Esc key to bring up the Main Menu.

3.4.2 Hotkey List

Command	Description
Space Bar	For accessing OSD interface for further configuration settings.
↑	Switches to the previous port.
↓	Switches to the next port.
[1, 2, ..., 8] Bank [01, 02, ..., 16] Port	<ul style="list-style-type: none"> ➤ First digit refers to the bank number of the KVM switch used in multiple KVM connection via Daisy Chain. ➤ The last two digits is the port number used for selecting between PCs.
Page Up	Switches to previous bank.
Page Down	Switches to next bank.
B	Turns beep sound On/Off.
R	Allows supervisor to reset the device back to factory default.
S	Allows supervisor to activate auto-scan function.
U	Allows Supervisor to activate security function On/Off.
P	Log out of the device and only valid when security features is turned on.

3.5 OSD Menu

OSD (On Screen Display) Menu provides a menu-driven interface to control the KVM switch.

M A I N M E N U				
S E L E C T O P T I O N :				
0 1	L A N G U A G E			
0 2	P O R T	N A M E	E D I T	
0 3	P O R T	S E A R C H		
0 4	U S E R	S E C U R I T Y		
0 5	A C C E S S	L I S T		
0 6	H O T K E Y			
0 7	T I M E	S E T T I N G S		
0 8	O S D	M O U S E		

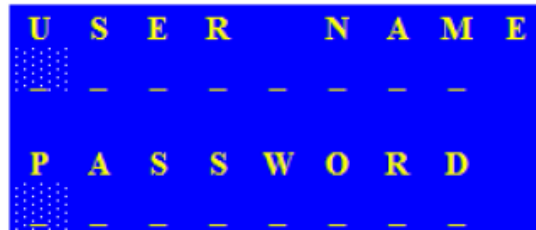
This OSD Menu has four types of display screens:

1. **Login Window** - When powering on this KVM switch, it will prompt a login window and ask for user name and password. This KVM system can setup one SUPERVISOR and eight USERS. SUPERVISOR can access to all OSD functions. USER can access to PORT NAME and PORT SEARCH only.
2. **Status screen** - After the logging in, the Status screen will show up to display the current port settings and Hotkey type.
3. **Port Name** - This menu displays port status, and users can switch to other port through this interface.
4. **Main Menu** - There are eight menus to operate. They are listed as follows:

Parameter	Description
01 LANGUAGE	OSD language selection
02 PORT NAME EDIT	PORT NAME modification
03 PORT SEARCH	Quick searching by port name
04 USER SECURITY	Change password
05 ACCESS LIST	Define user access authority
06 HOTKEY	Change Hotkey
07 TIME SETTINGS	Modify auto-SCAN time interval
08 OSD MOUSE	Modify OSD MOUSE speed

3.5.1 Login Window

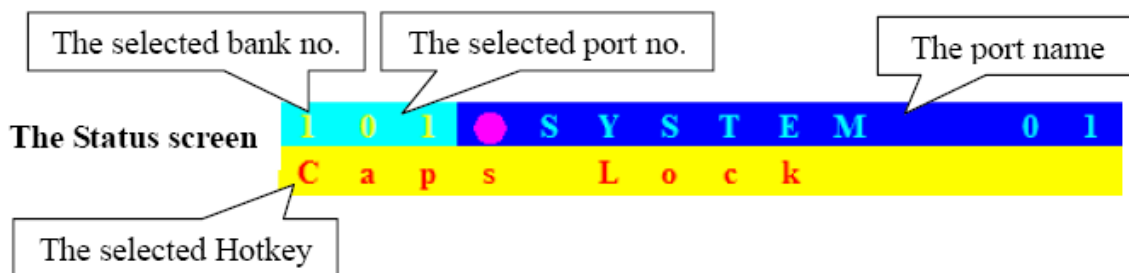
If the Security function is enabled (default is disabled), the Login window will show up waiting for username and password when device powers on.



Parameter	Default
SUPERVISOR Username	00000000 (Eight Zeros)
SUPERVISOR Password	00000000 (Eight Zeros)

These values are case-insensitive, while OSD display fixed in upper case.

After login or port switch by panel button, OSD or Hotkey, the Status screen will show up to display the information of current settings. (Digit 1: BANK NUMBER, Digit 2: PORT NUMBER, PORT NAME, and current Hotkey settings. Pressing any key or moving mouse will let the Status screen disappeared.)

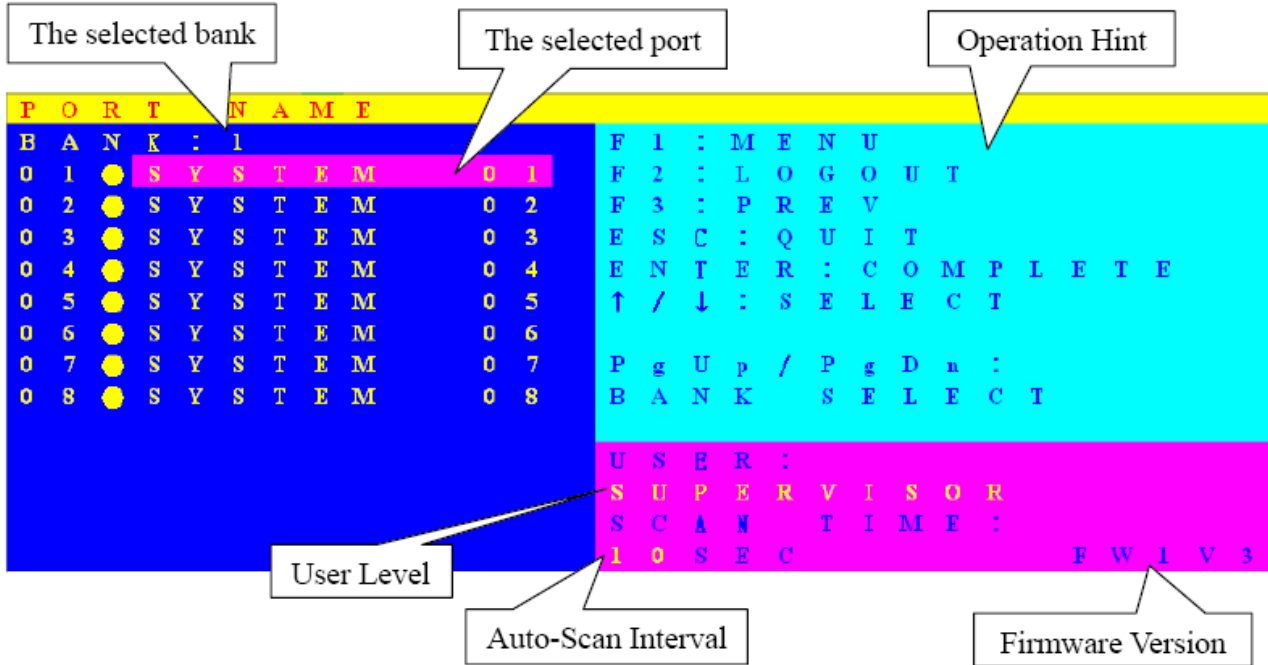


Auto-LOGOUT function

- In Login window, if no input for username and password over 1 minute, the screen will disappear. Hit any key to bring up the Login window again.
- At normal operation, if no input from the console keyboard or mouse over 10 minutes the KVM switch will turn off the screen display and show up Login window asking for user name and password. One more minute of keyboard/mouse inactivity, the monitor will be turned off (Note the monitor LED turns from green color to orange color).

3.5.2 Port Name

The first page shows the current port name, the selected port, and the operation hint.



Command	Description
F1	Go to the Main Menu.
F2	Logouts of the OSD. If Security is enabled it will show up the Login window waiting for username and password. If Security is disabled it will show the Status window.
F3	Previous Menu
Enter	Switch to the selected port
↑/↓	Select the port (press Enter to switch)
PgUp	Previous Bank
PgDn	Next Bank
Esc	Exit
1	Show ports 01 ~ 08
2	Show ports 09 ~ 16
3	Show ports 17 ~ 24
4	Show ports 25 ~ 32

- The numeric keypad is not supported, while in OSD screen, the arrow keys, PgUp, PgDn, and Enter keys are supported.

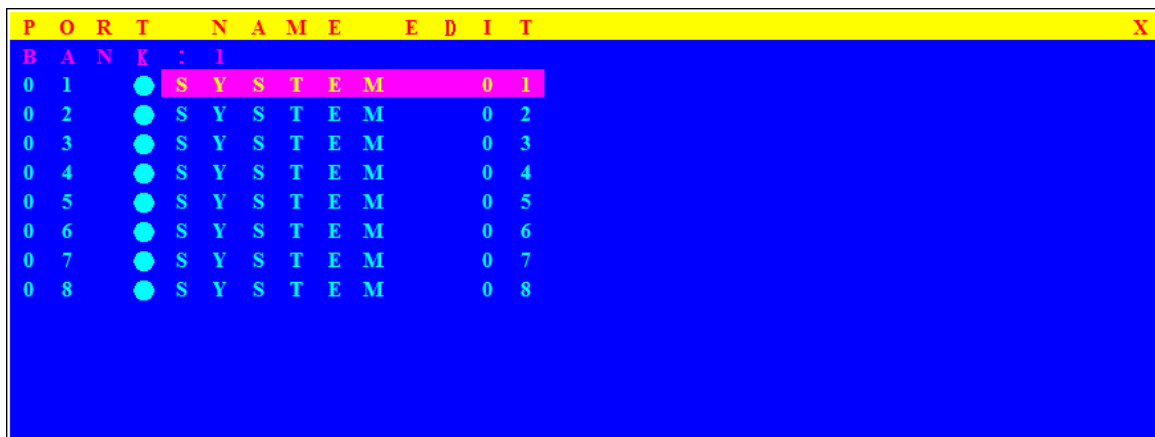
3.5.3 Language

The OSD supports eight languages: English, French, German, Italian, Spanish, Simplified Chinese, Japanese, and Russian. The default language is ENGLISH. Moving the cursor by keyboard (Up Arrow key or the Down Arrow key) or mouse to select the language you like.



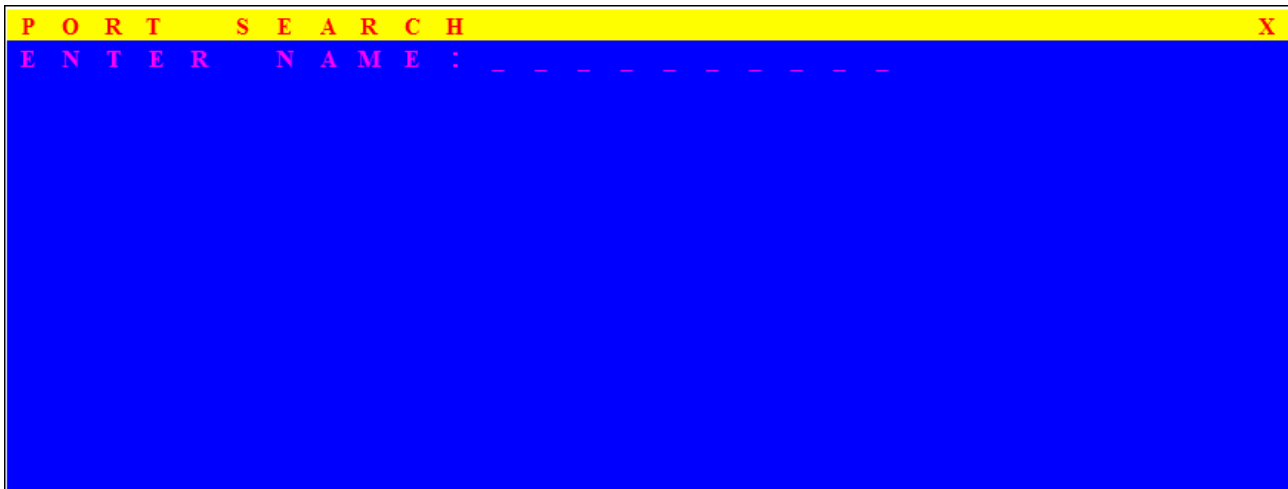
3.5.4 PORT NAME EDIT

The first line bar is Bank number, following lines are port name list. Use keyboard (Up Arrow key or Down Arrow key) or mouse to select the port. After select the port, you can either press **<Enter>**, or move the cursor to port name and double click left button of mouse to switch the port immediately. Press PgUp key or PgDn key for selecting the previous or next Bank. Press **<Enter>** key for editing port name. Press **<Esc>** key to cancel the editing without any change or press **<Enter>** key to complete the editing.



3.5.5 Port Search

Search the computer by port name. Enter "*" will show all the port names.



3.5.6 User Security

There are two types of user levels: SUPERVISOR and USER. There is one SUPERVISOR and up to eight USERS can be configured. Press the <Enter> key or right button of mouse for editing. The left-top "S" means **SUPERVISOR**, and "1", "2", "3", ..., "8" means **USERS**. The maximum length of **NAME** and **PASSWORD** is eight characters (A~Z and 0~9).



3.5.7 Access List

Only **SUPERVISOR** can configure the ACCESS LIST. The first column is the port number, following the server/computer name list. The last 8 columns are the access right of each user. Use the **<Enter>** key or left button of mouse to active/deactivate the access right of each port. "X" means to disable access and "O" means to enable access.

A C C E S S L I S T													X				
B	A	N	:	I	1	2	3	4	5	6	7	8					
0	1	●	S	Y	S	T	E	M	0	1	O	0	0	0	0	0	0
0	2	●	S	Y	S	T	E	M	0	2	O	0	0	0	0	0	0
0	3	●	S	Y	S	T	E	M	0	3	O	0	0	0	0	0	0
0	4	●	S	Y	S	T	E	M	0	4	O	0	0	0	0	0	0
0	5	●	S	Y	S	T	E	M	0	5	O	0	0	0	0	0	0
0	6	●	S	Y	S	T	E	M	0	6	O	0	0	0	0	0	0
0	7	●	S	Y	S	T	E	M	0	7	O	0	0	0	0	0	0
0	8	●	S	Y	S	T	E	M	0	8	O	0	0	0	0	0	0
0	9	●	S	Y	S	T	E	M	0	9	O	0	0	0	0	0	0
1	0	●	S	Y	S	T	E	M	1	0	O	0	0	0	0	0	0
1	1	●	S	Y	S	T	E	M	1	1	O	0	0	0	0	0	0
1	2	●	S	Y	S	T	E	M	1	2	O	0	0	0	0	0	0
1	3	●	S	Y	S	T	E	M	1	3	O	0	0	0	0	0	0

3.5.8 Hotkey

Some keyboard may not equip with all the special keys. Make sure the key select is available on the keyboard.

H O T K E Y													X							
E N T E R													A	C H O O S E :						
S c r o l l													L o c k							
N u m b e r													L o c k							
C a p s													L o c k							
L e f t													C t r l							
R i g h t													C t r l							
L e f t													A l t							
R i g h t													A l t							
L e f t													W i n							
R i g h t													W i n							

3.5.9 Time Setting

When the Auto-Scan function is activated, the KVM switch will auto-scan the host ports one by one according interval setting. Notice that the port without connecting to a computer/server will be skipped on the scan. The interval range is 5 ~ 99 seconds, and the default interval is 10 seconds. Press **<Enter>** key to save the **SCAN TIME** setting.



3.5.10 OSD Mouse

Users can change the moving speed of mouse cursor in this item. There are three levels to choose from. The fastest moving speed is **FAST**, the second is **MIDDLE** and the slowest is **SLOW**. Using "↑" and "↓" key on keyboard to move highlight bar to the wished speed. Press the **<Enter>** key to go into effect.



Chapter 4 Troubleshooting

- No LED display
 - Make sure the power adapter is correctly plugged into the KVM Switch. If the LED's still won't light, perform soft reset to KVM switch by pressing "BANK" button and last port button at the same time.
 - Do the hard reset by unplugging the power then plugging in again.
- The computer boot up fine, but keyboard doesn't work
 - PS/2 keyboard or PS/2 mouse port is not designed for Hot Plug. USB mouse and keyboard can Hot Plug, but need to wait few seconds for Computer bus emulations.
 - Don't press any keys on the keyboard while the selected computer is booting up. Otherwise it might cause the keyboard error or keyboard is not detected at Host side.
 - Make sure the keyboard works when directly plugged into the computer.
 - Try a different keyboard, but use only 101, 102 or 104-key keyboard.
- The Mouse is not detected during PC boot up
 - Make sure to plug in mouse first, and then keyboard last.
 - Make sure the USB or PS/2 mouse works when directly plugged into the computer.
 - Avoiding moving the mouse or pressing the mouse buttons when switching ports.
- VGA resolution output mismatch with the monitor's
 - The KVM switch will provide DDC information to all the PC VGA board. If both the local console's monitor and KVM switch are turned on before the PC boot up, or if the PC boot up faster then the KVM switch, the PC miss the DDC (Data Display Channel)

information that causes the VGA resolution output mismatch with the monitor's.

- In this case, please turn off the PC wait few minute then turn on again.

- Micronet provide tech support
 - You can find related information from web site www.micronet.info.
 - Any question about Micronet KVM product, please send mail to support@micronet.info.

Free Manuals Download Website

<http://myh66.com>

<http://usermanuals.us>

<http://www.somanuals.com>

<http://www.4manuals.cc>

<http://www.manual-lib.com>

<http://www.404manual.com>

<http://www.luxmanual.com>

<http://aubethermostatmanual.com>

Golf course search by state

<http://golfingnear.com>

Email search by domain

<http://emailbydomain.com>

Auto manuals search

<http://auto.somanuals.com>

TV manuals search

<http://tv.somanuals.com>