



# NAUTICO<sup>TM</sup> 3

## VHF MARINE RADIO OWNER'S MANUAL



[www.midlandradio.com](http://www.midlandradio.com)

<b>TABLE OF CONTENTS</b>	2
<b>Introduction</b>	3
<b>Important Notice, FCC Licensing</b>	4
<b>LCD Display</b>	5
<b>Controls</b>	5
<b>Battery Installation</b>	6
<b>Installing the Belt Clip</b>	6
<b>Charging the Optional Battery Pack</b>	7
<b>Operating Your Radio</b>	7 - 12
<b>External Speaker/Microphone Jack</b>	12
<b>Troubleshooting Guide</b>	13
<b>Use and Care</b>	13
<b>Specifications and Frequency Charts</b>	14 -16
<b>Warranty Information</b>	17
<b>MIDLAND Family Products</b>	18
<b>Accessories</b>	18
<b>Accessories Order Form</b>	19

## Welcome to the world of Midland electronics

Congratulations on your purchase of a high quality MIDLAND product. Your 2-way radio represents the state-of-the-art in high-tech engineering. Designed for VHF Marine Service operation, this compact package is big on performance. It is a quality piece of electronic equipment, skillfully constructed with the finest components. The circuitry is all solid-state and mounted on a rugged printed circuit board. Your 2-way radio is designed to give you reliable and trouble-free performance for years to come.

### Features

- Marine Channels: 57 USA / 61 Canada / 57 International (grouped by area)
- eVOX
- Selectable CALL Alert
- NOAA Weather Radio
- NOAA Weather Alert
- SCAN Function
- MONITOR Function
- Roger Beep Tone
- Keypad Lock
- Power High / Power Low Settings
- Speaker / Microphone Jacks
- Battery Indicator

This device complies with Part 15 of the FCC Rules. Operation is subject to the following two conditions: (1) this device does not cause harmful interference, and (2) this radio must accept any interference that may cause undesired operation.

To maintain compliance with FCC's RF exposure guidelines, for body-worn operation, this radio has been tested and meets the FCC RF exposure guidelines when used with Midland Radio Corp. accessories supplied or designated for this product. Use of other accessories may not ensure compliance with FCC RF exposure guidelines.

The NAUTICO3 operates on VHF Marine Radio Service frequencies, in compliance with Federal Communications Commission (FCC) requirements. Recreational boaters are not currently required to have a Ship Radio License. The USCG recommends that the boat's registration number and state be used for the radio call sign.

## FCC LICENSE

A ship station license is not required for any vessel traveling in U.S. waters which is less than 20 meters in length. However, any vessel required to carry an HF SSB radiotelephone or marine satellite terminal is required to have a ship station license. FCC license forms can be downloaded at [www.fcc.gov/forms](http://www.fcc.gov/forms). You may also obtain a form from the FCC by calling (888) 225-5322.

## Exposure To Radio Frequency Energy

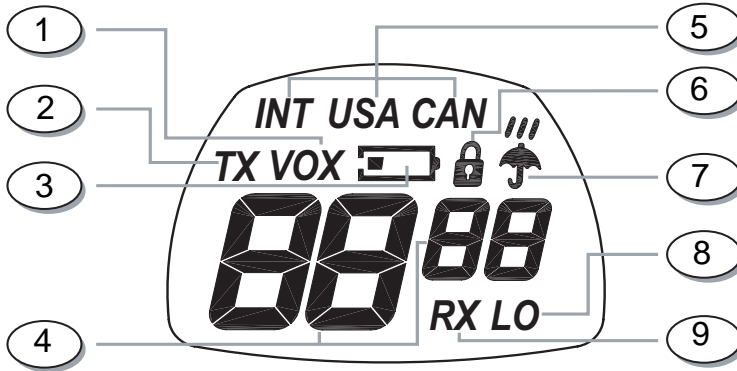
Your Midland radio is designed to comply with the following national and international standards and guidelines regarding exposure of human being to radio frequency electromagnetic energy:

- United States Federal Communications Commission, Code of Federal Regulations: 47 CFR part 2 sub-part J
- American National Standards Institute (ANSI)/Institute of Electrical & Electronic Engineers (IEEE) C95. 1-1992
- Institute of Electrical and Electronic Engineer (IEEE) C95. 1-1999 Edition
- National Council on Radiation Protection and Measurements (NCRP) of the United States, Report 86, 1986
- International Commission on Non-Ionizing Radiation Protection (ICNIRP) 1998

To control your exposure and ensure compliance with the general population or uncontrolled environment exposure limits, transmit no more than 50% of the time. The radio generates measurable RF energy exposure only when transmitting.

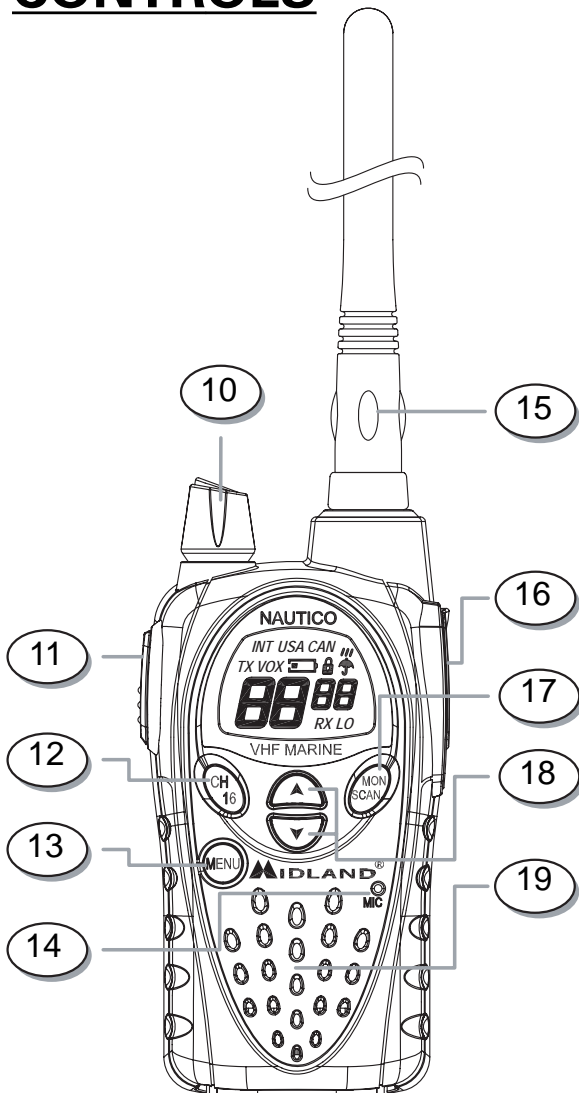
**IMPORTANT:** Changes or modifications to this unit not expressly approved by **MIDLAND RADIO CORP.** could void your right to operate this unit. Your radio is set up to transmit a regulated signal on an assigned frequency. It is against the law to alter or adjust the settings inside the **COMMUNICATOR** to exceed those limitations. Any adjustment to your radio must be made by qualified technicians.

## LCD DISPLAY



1. **VOX ICON** - Indicates when eVOX mode is active.
2. **TRANSMIT (TX) ICON** - Indicates radio is transmitting a signal.
3. **LOW BATTERY ICON** - Indicates battery level is low.
4. **CHANNEL NUMBER** - Changes from 1~88a on VHF Marine band (1~10 on WX band).
5. **USA/CAN/INT CHANNEL ICONS**
6. **KEY LOCK ICON** - Indicates KEY LOCK mode is on.
7. **WX BAND ICON** - Indicates when the radio is in Weather Band mode
8. **TRANSMIT POWER LEVEL (Hi / LO) ICON** - Indicates TX Power setting.
9. **RECEIVE (RX) ICON** - Indicates radio is receiving a transmission.

## CONTROLS



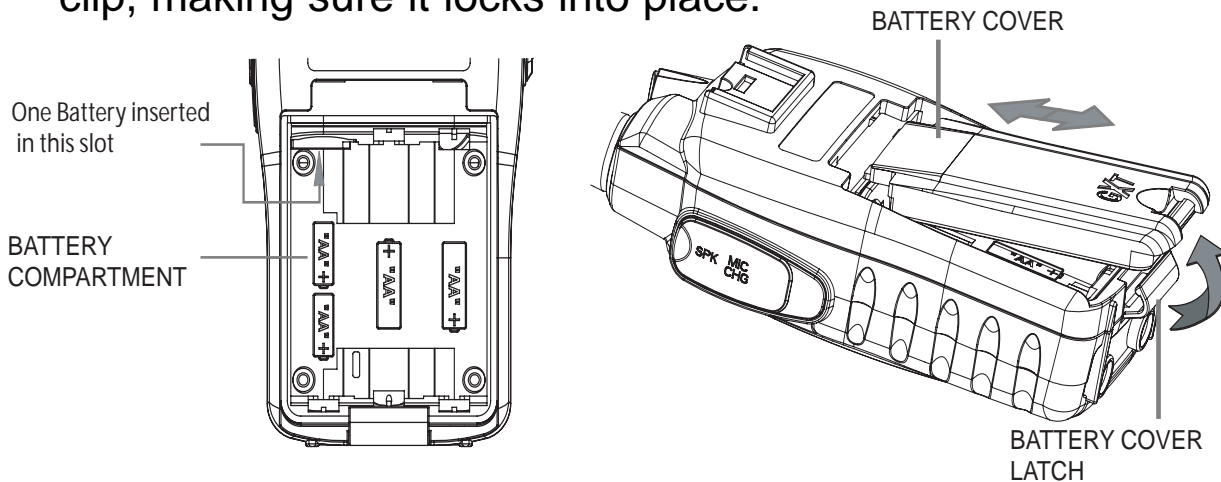
10. **POWER/VOLUME KNOB** - Turn clock wise to turn the power on and increase the volume level. Turn counter-clockwise to decrease the volume level and turn the power off.
11. **PTT Button** - Press and hold to transmit voice communication. Press twice quickly to send a call alert.
12. **CH 16 Button** - Press to switch immediately to emergency channel 16. Press and hold to switch to Channel 9.
13. **MENU Button** - Press to access MENU mode. Press and hold to go to WX Band Receiver mode.
14. **MIC** - Built-in microphone.
15. **ANTENNA.**
16. **EXTERNAL SPEAKER/MIC JACK.**
17. **MONITOR/SCAN Button** - Press to enter SCAN mode. Press and hold to enter MONITOR mode.
18. **UP/DOWN Button** - Make adjustments in MENU mode.
19. **SPEAKER** - Built-in speaker.

## BATTERY INSTALLATION

Your NAUTICO3 radio operates with either 4 AA alkaline batteries or an optional NiMH battery pack. The belt clip should be removed (see below) to ease installation or removal of the batteries.

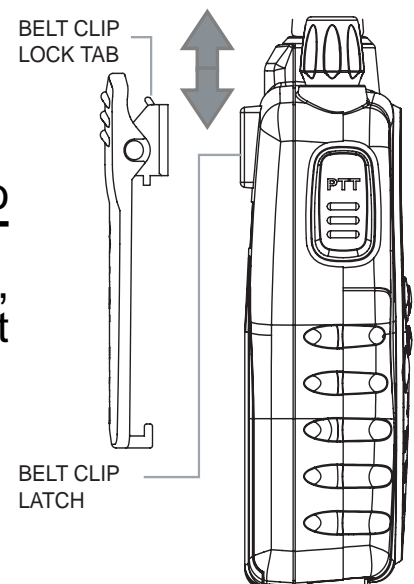
To install the batteries:

1. With the back of the radio facing you, remove the belt clip (see diagram below) for easy access, then remove the Battery Cover by pulling down the Battery Cover Latch and lifting up the Battery Cover from the radio.
2. Insert 4 AA batteries observing the polarity as shown. Installing the batteries incorrectly will prevent the radio from operating or may damage the radio.
3. Return the Battery Cover by sliding it up on the radio and push up the Battery Cover Latch until it locks into place. Replace the belt clip, making sure it locks into place.



## INSTALLING THE BELT CLIP

To install the **BELT CLIP**, slide the clip down into the slot on the back of the radio until the **BELT CLIP LATCH** clicks. To remove the **BELT CLIP**, press the **LOCK TAB** up, then gently pull the belt clip up toward the top of the radio.





## CHARGING THE OPTIONAL BATTERY PACK

Your NAUTICO3 is equipped for using an optional rechargeable NiMH battery pack which can be recharged using an AC or DC charger (included). Initial charge time is 24 hours with a charge time of 8-12 hours thereafter. For maximum battery life, we recommend charging the NAUTICO3 when the low battery indicator comes on. Remove the radio from the charger when the charge time expires.

### **To Charge Using Optional AC or DC Charger:**

1. Place the rechargeable Ni-MH battery pack into the radio.
2. Connect the AC adapter into an AC wall outlet .
3. Insert the AC adapter plug (or DC Cigarette Lighter adapter if charging in vehicle) into the charging jack on the side of the radio.



1. Only use our NiMH battery pack.
2. Do not attempt to charge alkaline batteries or any batteries or battery packs other than the one indicated in the manual. This may cause leakage and damage to the radio.
3. For long term storage of the radio, turn the radio OFF and remove the batteries from the radio.

## OPERATING YOUR RADIO

### POWER ON/OFF AND VOLUME

Rotate the **POWER/VOLUME** knob clockwise to turn the radio on and increase the volume level. Rotate the control counter-clockwise to reduce the volume level and to turn the radio off. During Power On, the radio will beep 3 times with different tones, the LCD will display a "**self-test**" message for 1 second and the LCD display will indicate the last selected channel.

## **TRANSMITTING AND RECEIVING**

1. To transmit a call, hold the radio 2 to 3 inches from your mouth.
2. Press and hold the PTT button and speak in a normal voice into the microphone. The TX icon will appear continuously on the LCD display while transmitting.
3. To receive a call, release the PTT button. The RX icon will appear on the display when your radio is receiving.

## **IN CASE OF EMERGENCY**

If your vessel requires assistance, contact other vessels and the Coast Guard by sending a distress call on Channel 16.

### **○ USING CHANNEL 16**

#### **DISTRESS CALL PROCEDURE**

1. "MAYDAY MAYDAY MAYDAY"
2. "THIS IS ....." (name of vessel)
3. Your call sign or other indication of the vessel.
4. "LOCATED AT ....." (your position)
5. The nature of the distress and assistance required.
6. Any other information which might facilitate the rescue.

## **ABOUT RANGE**

Your NAUTICO3 radio is designed to give you maximum range under optimum conditions.

Optimum Conditions are:

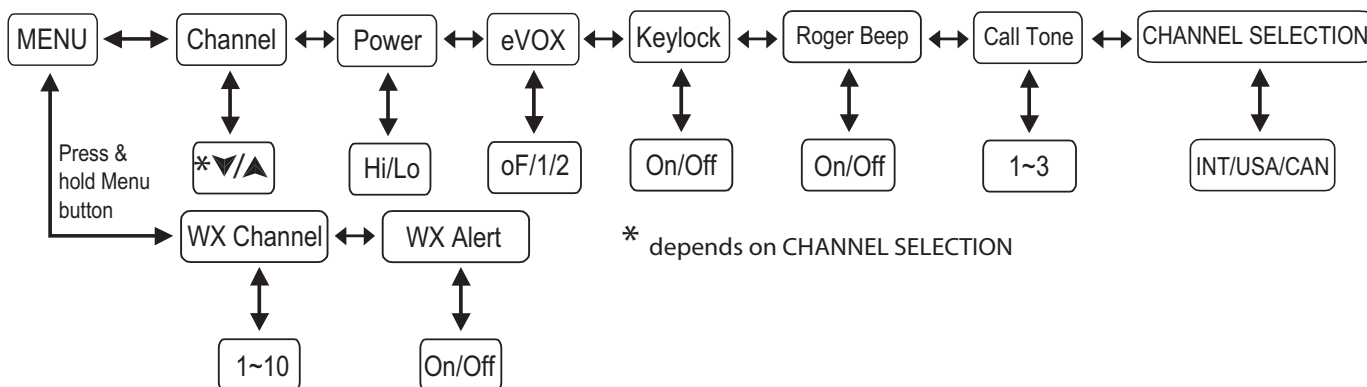
- Over water
- Open rural areas without obstructions
- Flat areas where you can see the other person

To ensure you get maximum range:

- Be sure to use fresh or fully charged batteries - low batteries will cause low power conditions
- Be sure to set your radio to use Hi power.



## NAUTICO3 QUICK REFERENCE CHART



## MONITOR

Pressing and holding the **MONITOR** button for 1 second will let you hear noise so you can adjust the volume level of the radio when not receiving a signal. This should be used to check activity on your current channel before transmitting. Press and release the **MONITOR** button for 1 second to get out of **MONITOR** mode.

## SCAN

Your NAUTICO3 can scan all channels for activity. To enter, quickly press the **SCAN** button. Repeat the same procedure to exit. Your radio will rapidly scan each of the channels and stop on any active channel for 5 seconds before resuming scan. When you press the **PTT** button to transmit on an active channel, the scanning function will stop and remain on the active channel. To resume scanning, quickly press the ▼/▲ button.

## INSTANT CHANNEL 16/9

**Channel 16 (Distress Channel)** is used for calling other stations or for distress alerting. You must monitor Channel 16 while standing by. Channel 16 is only to be used in emergency situations. You can also switch to Channel 9, the leisure-use call channel, without changing your normal channel by pressing and holding the CH16 Button for 1 second. Pressing the **CH16** button again returns the radio to the normal channel setting.

## CALL ALERT

Your NAUTICO3 can transmit a call alert for a fixed length of time. To send a call alert, press the **PTT** button twice within ½ second. The **TX** icon will appear while transmitting a call alert and a tone can be heard on the speaker for confirmation.

## **KEYPAD LOCK**

To avoid accidentally changing the radio setting, press the **MENU** button 4 times then press an up/down button to choose ON. The **KEY LOCK** icon will appear on the display. **PTT** and **CH16** will still be active. To unlock the keypad, press the **MENU** button once, then press the ▼/▲ button to choose **OF**.

## **DISPLAY ILLUMINATION**

During Power on, the display illumination will activate for approx. 7 seconds. The display illumination can also be activated when the **MENU** button is pressed.

## **CHANNEL SELECTION**

Press the **MENU** button once, and then the ▼/▲ buttons to select one of the channels. To confirm the selection, press the **PTT** button or press **MENU** again to move to the next feature setting.

## **TRANSMIT (TX) POWER LEVEL SELECTION**

The NAUTICO3 has 2 transmit power level settings. To select the power level on channels press the **MENU** button two times, a "**Pr**" icon will appear blinking on the display. Then press the ▼/▲ button to select **TRANSMIT POWER LEVEL** icon (**Hi / LO**). The TX icon will be blank when Hi setting is selected. To confirm, press the **PTT** button or press **MENU** again to move to the next feature setting.

## **eVOX (Hands-free Transmission)**

Your NAUTICO3 has 2 eVOX level settings: (**oF/1/2**). To set **eVOX**, press the **MENU** button three times. The display shows "**eVOX**" blinking while on the right of the **CHANNEL NUMBER** display, an "**oF**" icon appears. Select "**1**" or "**2**" by pressing the ▼/▲ buttons and push the **PTT** key, or press **MENU** again to move to the next feature setting.

**eVOX** will be more sensitive on the "**2**" setting than on the "**1**" setting.

To turn **eVOX** off, press the **MENU** button three times. The display shows "**VOX**" blinking. Select "**oF**" by pressing the ▼/▲ buttons and push the **PTT** key, or press **MENU** to move to the next feature setting.

## ROGER BEEP (end of transmission) TONE

When the **PTT** button is released, the radio will beep to confirm to other users that your transmission has finished. To turn the **ROGER BEEP** tone on, press the **MENU** button until the display shows an "**rb**" icon while on the right of the "**rb**" display, an "**oF**" icon appears. Select "**on**" by pressing the ▼/▲ buttons and push the **PTT** key, or press **MENU** to move to the next feature setting.

To turn the **ROGER BEEP** tone off, press the **MENU** button until the display shows an "**rb**" icon while on the right of the "**rb**" display, an "**on**" icon appears. Select "**oF**" by pressing the ▼/▲ buttons and push the **PTT** key, or press **MENU** to move to the next feature setting.

## USA/CAN/INT CHANNEL SELECTION

The NAUTICO3 channel selection can be changed to follow rules of USA, Canada, or international rules. Press the **MENU** button until the current channel icon (USA, CAN, INT) flashes. Select a different channel list by pressing the ▼/▲ buttons until the desired icon appears. Press the **PTT** key or press **MENU** to confirm

## CALL ALERT SELECTION

Your NAUTICO3 has 3 user-selectable **CALL ALERTS**. To select, press the **MENU** button six times, so a "**CA**" icon appears and to the right of the "**CA**" icon the current **CALL ALERT** setting is displayed. Then press the ▼/▲ buttons to make the **CALL ALERT** selections, the radio will emit a corresponding tone for each selection. To confirm, press the **PTT** button or press **MENU** to move to the next feature setting.

## WEATHER (WX) BAND RECEIVER

Your NAUTICO3 has a **WEATHER (WX) BAND RECEIVER** function, to enable user to receive weather alert/reports from designated **NOAA** stations. To turn the **WEATHER (WX) RECEIVER** on, press and hold the **MENU** button for 3 seconds. The current **WX CHANNEL** and **WX BAND** icon will appear on the display. Press the **MENU** button and the ▼/▲ buttons to select one of the 10 **WX BAND** channels. To confirm, press the **PTT** button or press **MENU** to move to the next feature setting.

To turn the **WEATHER (WX) RECEIVER** off, press and hold the **MENU** button for 3 seconds. The current radio setting will be displayed and the **WX BAND** icon will go off.

## WEATHER (WX) ALERT

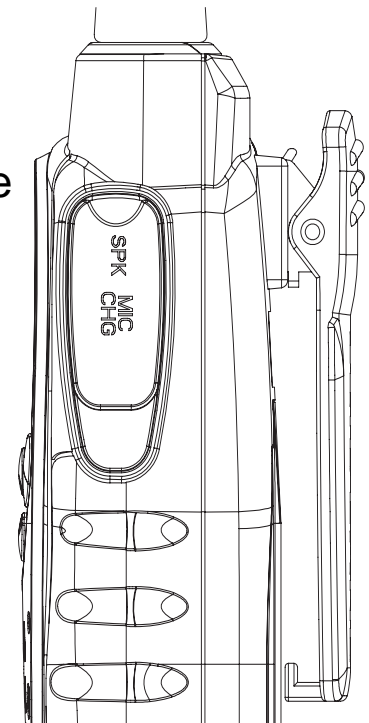
Your NAUTICO3 has a **WEATHER (WX) ALERT** function, to enable user to automatically receive weather alert from designated **NOAA** stations. To turn the **WEATHER (WX) ALERT** on, press the **MENU** button twice while in WX Band. The display shows "**AL**", while on the right an "**oF**" icon appears blinking. Select "**on**" by pressing the ▼/▲ buttons. To confirm, press the **PTT** button or press **MENU**. The radio will return to **WX BAND** and the **WX BAND** icon will continue blinking. If the radio receives a WX ALERT signal from a designated **NOAA** station while on **MARINE** Band, the radio will beep for 10 seconds while an "**AL**" and "**In**" icon appear on the display, after which will automatically go to **WX BAND**. If any button is pressed during beeping while on **MARINE** Band, the radio will automatically go to **WX BAND**.

To turn the **WEATHER (WX) ALERT** off, press the **MENU** button twice while in **WX** Band. The display shows "**AL**", while on the right an "**on**" icon appears blinking. Select "**oF**" by pressing the ▼/▲ buttons. To confirm, press the **PTT** button or press **MENU**."

## EXTERNAL SPEAKER/MICROPHONE JACK

Your NAUTICO3 Series can be used with an optional external speaker /microphone or headset, freeing your hands for other tasks. To use an optional speaker / microphone or headset:

- Insert the plug(s) into the **SPK/MIC** jacks
- Place the earbud into your ear, and adjust the mic into your desired position.



## TROUBLESHOOTING GUIDE

<b>PROBLEM</b>	<b>SOLUTION</b>
No Power	- Check battery installation and/or replace batteries
Cannot Receive Messages	- Confirm the radios have the same channel. - Make sure that you are within range of the other transceivers. - Buildings and other structures may interfere with your communication. <b>(See <i>ABOUT RANGE</i> on Page 8)</b>
Radio is not responding to button presses	- Make sure key lock is not on. See "Keypad Lock" (Page 10). - Radio might need to be reset. Turn radio off then on.
Display is dim	- Recharge or replace batteries.
Charger not functioning	- Ensure the outlet where the charger is plugged into is functioning properly. - Check that the battery pack is installed in the radio properly.

## USE AND CARE

1. Use a soft damp cloth to clean the radio
2. **Do not** use alcohol or cleaning solutions to clean the radio.
3. **Do not** immerse the radio in water.
4. Dry the radio with dry lint-free cloth should it get wet.
5. Turn off the radio and remove the batteries during long-term storage.

**If you have a problem which you believe requires service, please call first and speak with a service technician. Many problems can be remedied over the phone without returning the unit for service.**

## SPECIFICATIONS

**Channels** 57 US, 61 CAN, 57 INT  
 10 NOAA Weather (WX) Band Channels  
**Operating Frequency** VHF 156.025 ~ 162.550 MHz  
**Power Source** 4 AAA Alkaline or 6.0V Rechargeable Ni-MH battery pack

## MARINE RADIO FREQUENCY CHART (MHz)

CHANNEL NUMBER			FREQUENCY (MHz)		MODE	NOTE
INT	CAN	US	TX	RX		
01	01		156.050	160.650	D	
		01A	156.050	156.050	S	
02	02		156.100	160.700	D	
03	03		156.150	160.750	D	
04			156.200	160.800	D	
	04A		156.200	156.200	S	
05			156.250	160.850	D	
	05A	05A	156.250	156.250	S	
06	06	06	156.300	156.300	S	
07			156.350	160.950	D	
	07A	07A	156.350	156.350	S	
08	08	08	156.400	156.400	S	
09	09	09	156.450	156.450	S	
10	10	10	156.500	156.500	S	
11	11	11	156.550	156.550	S	
12	12	12	156.600	156.600	S	
13	13	13	156.650	156.650	S	
14	14	14	156.700	156.700	S	
15	15		156.750	156.750	S	*
		15		156.750	R	
16	16	16	156.800	156.800	S	
17	17	17	156.850	156.850	S	*
18			156.900	161.500	D	
	18A	18A	156.900	156.900	S	
19			156.950	161.550	D	

CHANNEL NUMBER			FREQUENCY (MHz)		MODE	NOTE
INT	CAN	US	TX	RX		
	19A	19A	156.950	156.950	S	
20	20*	20	157.000	161.600	D	
21			157.050	161.650	D	
	21A	21A	157.050	157.050	S	
	21B			161.650	R	
22			157.100	161.700	D	
	22A	22A	157.100	157.100	S	
23	23		157.150	161.750	D	
		23A	157.150	157.150	S	
24	24	24	157.200	161.800	D	
25	25	25	157.250	161.850	D	
26	26	26	157.300	161.900	D	
27	27	27	157.350	161.950	D	
28	28	28	157.400	162.000	D	
60	60		156.025	160.625	D	
61			156.075	160.675	D	
	61A		156.075	156.075	S	
62			156.125	160.725	D	
	62A		156.125	156.125	S	
63			156.175	160.775	D	
		63A	156.175	156.175	S	
64	64		156.225	160.825	D	
	64A		156.225	156.225	S	
65			156.275	160.875	D	
	65A	65A	156.275	156.275	S	
66			156.325	160.925	D	
	66A*	66A	156.325	156.325	S	
67	67	67	156.375	156.375	S	
68	68	68	156.425	156.425	S	
69	69	69	156.475	156.475	S	
70	70	70		156.525	R	**
71	71	71	156.575	156.575	S	
72	72	72	156.625	156.625	S	



CHANNEL NUMBER			FREQUENCY (MHz)		MODE	NOTE
INT	CAN	US	TX	RX		
73	73	73	156.675	156.675	S	
74	74	74	156.725	156.725	S	
75			156.775	156.775	S	*
76			156.825	156.825	S	*
77	77*	77*	156.875	156.875	S	
78			156.925	161.525	D	
	78A	78A	156.925	156.925	S	
79			156.975	161.575	D	
	79A	79A	156.975	156.975	S	
80			157.025	161.625	D	
	80A	80A	157.025	157.025	S	
81			157.075	161.675	D	
	81A	81A	157.075	157.075	S	
82			157.125	161.725	D	
	82A	82A	157.125	157.125	S	
83	83		157.175	161.775	D	
	83A	83A	157.175	157.175	S	
84	84	84	157.225	161.825	D	
85	85	85	157.275	161.875	D	
86	86	86	157.325	161.925	D	
	87		157.375	161.975	D	
87			157.375	157.375	S	
	88		157.425	162.025	D	
88		88A	157.425	157.425	S	

**S** = Simplex ; **D** = Duplex ; \* = obligatory low transmission power of 1 Watt  
 \*\* = classified to DSC communications

### NOAA WEATHER (WX) RADIO FREQUENCY CHART (MHz)

CH. No	CH. Freq.	CH. No	CH. Freq.
1	162.550	6	162.500
2	162.400	7	162.525
3	162.475	8	161.650
4	162.425	9	161.775
5	162.450	10	163.275

\* Channel 8,9 and 10 are designated Canadian Marine Frequencies

## LIMITED WARRANTY

Midland Radio Corporation will repair or replace, at its option without charge, any Midland VHF MARINE transceiver which fails due to a defect in material or workmanship within Three Years following the initial consumer purchase. This warranty does not apply to water damage, battery leak or abuse.

Accessories have a 90 day warranty from date of purchase, including any antennas, chargers, or earphones. This warranty does not include the cost of labor for removal or re-installation of the product in a vehicle or other mounting. Performance of any obligation under this warranty may be obtained by returning the warranted product, prepaid freight, along with proof of purchase to:

**Midland Radio Corporation  
Warranty Service Department  
5900 Parretta Drive  
Kansas City, MO 64120**

This warranty gives you specific legal rights, and you may also have other rights, which vary from state to state.

Note : The above warranty applies only to merchandise purchased in the United States of America or any of the territories or possessions thereof, or from a U.S. Military exchange.

**Midland Radio Corporation  
5900 Parretta Drive  
Kansas City, MO 64120  
Tel: (816) 241-8500  
E-mail: [mail@midlandradio.com](mailto:mail@midlandradio.com)  
URL: [www.midlandradio.com](http://www.midlandradio.com)**



**GMRS  
RADIOS**



**MARINE  
RADIOS**



**EMERGENCY CRANK  
RADIOS**



**WEATHER  
RADIOS**



**CITIZEN BAND  
RADIOS**

**CHECK OUT THE OTHER GREAT MIDLAND PRODUCTS AT  
[www.midlandradio.com](http://www.midlandradio.com)**



**MIDLAND RADIO CORPORATION**

**5900 Parretta Drive  
Kansas City, MO 64120  
Call 816.241.8500**

*visit us at <http://www.midlandradio.com>*

**Note: Features & Specifications are subject to change without notice. MIDLAND is not responsible for unintentional errors or omissions on its packaging.**

## Free Manuals Download Website

<http://myh66.com>

<http://usermanuals.us>

<http://www.somanuals.com>

<http://www.4manuals.cc>

<http://www.manual-lib.com>

<http://www.404manual.com>

<http://www.luxmanual.com>

<http://aubethermostatmanual.com>

Golf course search by state

<http://golfingnear.com>

Email search by domain

<http://emailbydomain.com>

Auto manuals search

<http://auto.somanuals.com>

TV manuals search

<http://tv.somanuals.com>