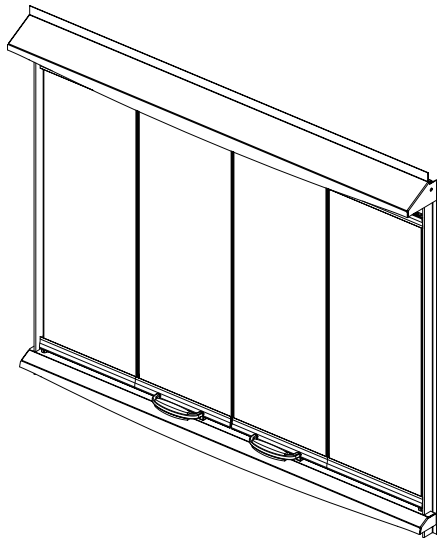


INSTALLATION INSTRUCTIONS FOR OUTDOOR BI-FOLD GLASS DOORS MODELS: 36BFOD-BS & 42BFOD-BS



These bi-fold glass door assemblies have been designed for use with and may be easily fitted to your Lennox Outdoor Gas Fireplace, Models E36ODG & E42ODG.

Do not alter or modify these door assemblies or a fireplace malfunction or a fire hazard may result.

These doors have been tested and listed by Omni-Test Laboratories Inc.

PLEASE RETAIN THIS MANUAL FOR FUTURE REFERENCE.

GENERAL INFORMATION

The door assembly consists of a right and left glass panel assembly with the door handles factory mounted. Included is a four piece door frame with eight (8) screws and a hood (hood packaged separately), which are required for assembly. Fireplaces listed on the front page of this document, have been designed to accept these doors with minimum effort.

TOOLS REQUIRED

- Medium Phillips Screwdriver
- 3/8" Open-end wrench
- 1/4" Drive Socket

INSTALLATION INSTRUCTIONS

Remove Screens And Rods:

Using a 5/16" socket or nutdriver, remove the screen rod assemblies (see **Figure 1**). Remove the screen rod screws as shown in **Figure 1**. Pull out the rods from locating holes on the side of the firebox opening.

IMPORTANT! REINSTALL SCREEN ROD SCREWS INTO THE EXISTING HOLES WHERE REMOVED.

The screen and rod assemblies must **not** be installed when the Bi-Fold Glass Door Kit is installed. You may wish to retain the screen and rod assemblies in case the Bi-Fold Glass Door Kit is ever removed in the future.

IMPORTANT! IF THIS OPTIONAL BI-FOLD GLASS DOOR KIT IS EVER REMOVED, THE ROD AND SCREENS MUST BE REINSTALLED FOR SAFE OPERATION OF THE APPLIANCE.

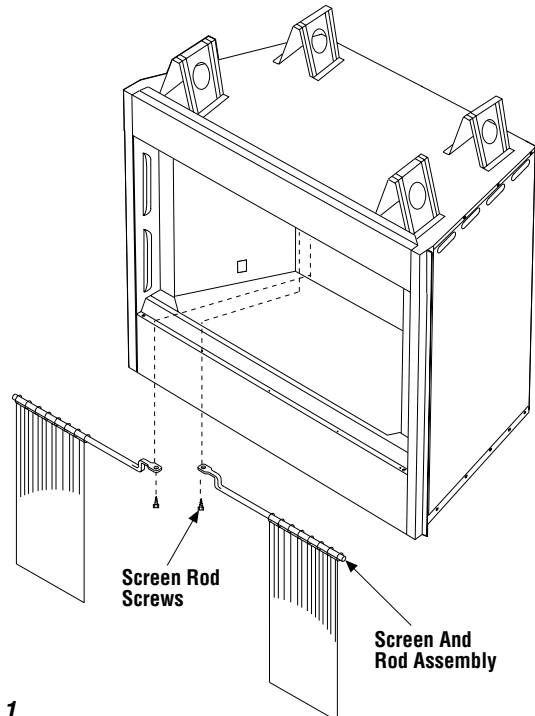


Figure 1



OMNI-Test Laboratories, Inc.

NOTE: DIAGRAMS & ILLUSTRATIONS NOT TO SCALE

Hood Installation:

Begin the assembly by installing the hood (packaged separately). Be certain to remove any protective plastic coatings for the stainless steel parts before installing those components.

Step 1. Turn off the fireplace and allow it to cool before proceeding.

Step 2. Place the hood lip under the face top opening, as shown in **Figure 2 - Step 1**. Attach the hood with two (2) screws, one each side, as shown in **Figure 2 - Step 2**.

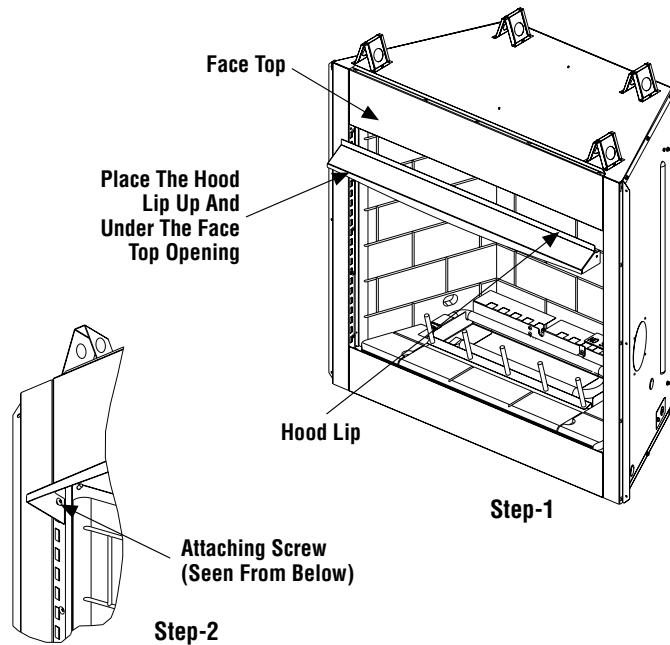


Figure 2

Frame Assembly:

Assemble the four piece door frame with the eight (8) screws provided as shown in **Figure 3**. Two spring clips attach inside the upper track as illustrated.

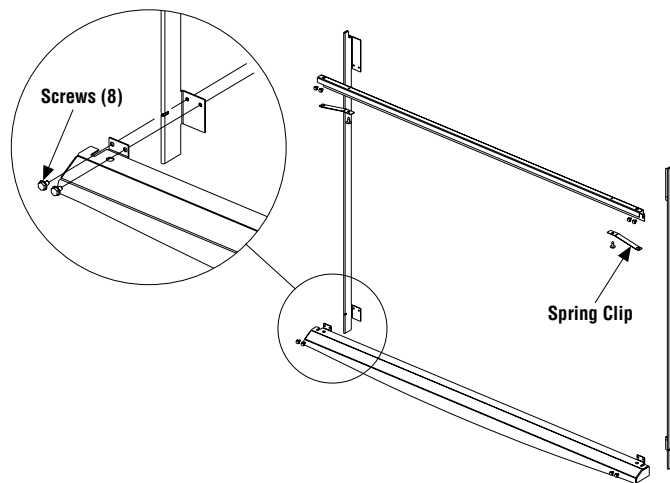


Figure 3

After assembly, the frame inserts under the hood as shown in **Figure 4** and drops down inside the opening without fasteners.

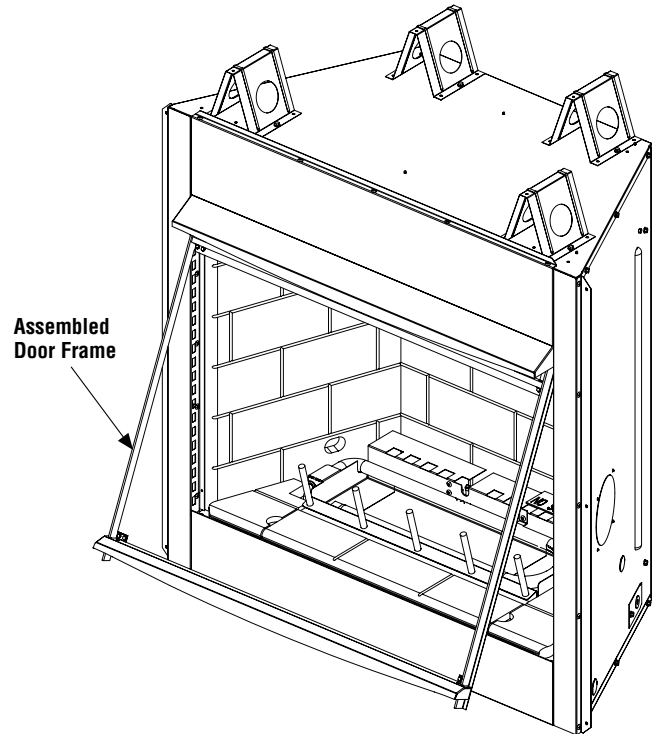


Figure 4

Door Installation:

Step 1. Starting with the lower end of either the right or left hand door hold the door at a slight angle to the door frame outer edge with the top tilted toward the center.

Swing the lower corner of the door over the hole in the lower frame and engage the lower pivot pin into the hole on the lower frame of the firebox opening (**Figures 5 and 6**).

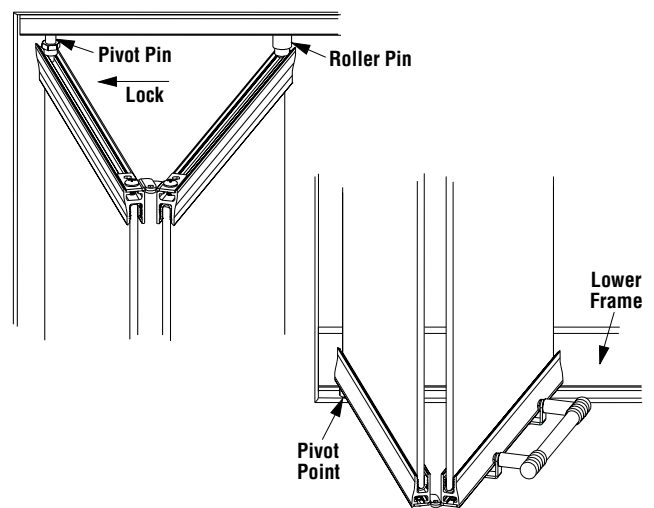


Figure 5

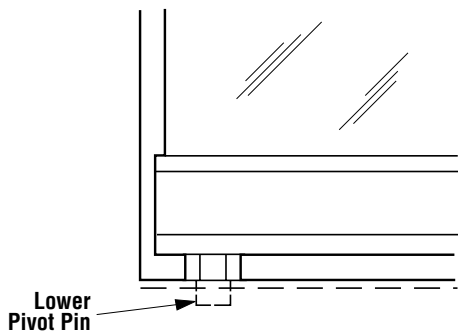


Figure 6

Step 2. Tilt the top of the door into place and carefully ensure that the upper pivot pin and roller pin is in the upper door guide track.

Step 3. Continue to tilt the top of the door into place until the upper pivot pin engages the spring clip and the pivot pin locks into place within the hole of the spring clip (see Figure 7).

Step 4. Repeat this procedure for the opposite door assembly.

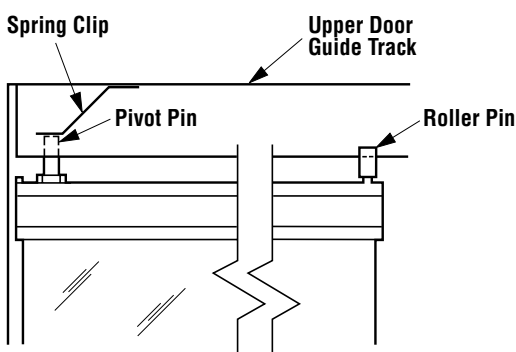


Figure 7

ADJUSTMENT FOR DOOR ALIGNMENT

The doors are properly adjusted when the top door trim is in a straight, level line and the gap between the doors is even at the top and bottom. If adjustments are required, grasp the door handle and loosen the lower door pivot pin using a $\frac{3}{8}$ " open end wrench*. Slide the door panel on the hinge pin until the gap between the upper door trim and upper frame is even. Retighten the lower door pivot pin*. Repeat this procedure for the opposite door if needed.

***Note:** Upper door pivot pins can also be loosened for adjustment purposes; however, it is easier to loosen lower pins.

GENERAL OPERATING PRECAUTIONS AND INSTRUCTIONS

CAUTION: THESE GLASS DOORS ARE LISTED ONLY FOR USE WITH THE FIREPLACE OR APPLIANCE MODELS SHOWN ON THE FRONT PAGE. USE ON ANY OTHER FIREPLACE OR APPLIANCE MAY CONSTITUTE A POTENTIAL FIRE HAZARD.

- Use fireplace tools carefully to avoid striking the glass.
- Keep wire mesh screens closed during fireplace use.

IMPORTANT: THE FINISH OF THESE DOORS MAY BE PROTECTED WITH A SELF ADHERING PLASTIC COATING THAT MUST BE REMOVED BEFORE HEAT IS GENERATED BY A FIRE IN THE FIREBOX. TO PREVENT MELTING, ENSURE THAT ANY PLASTIC COATING PROTECTING THE FINISH OF THESE DOORS IS REMOVED FOLLOWING INSTALLATION. REFER TO THE FIREPLACE INSTALLATION AND HOMEOWNER'S INSTRUCTIONS FOR DETAILED INSTRUCTIONS REGARDING THE MAINTENANCE OF THE FINISH OF THESE DOORS.

CAUTION: THE FRONT-OPEN FIREPLACE OR APPLIANCE SHOULD ONLY BE OPERATED WITH THE GLASS DOORS FULLY OPEN OR FULLY CLOSED (SEE FIGURE 8).

CAUTION: GLASS AND METAL FRAMES GET HOT — ALWAYS USE HANDLES TO OPEN AND CLOSE THE DOORS.

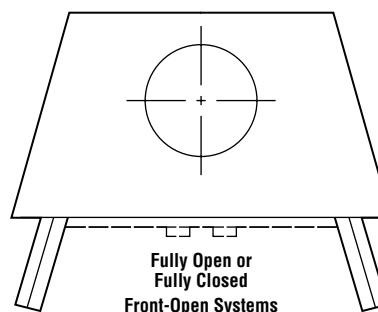


Figure 8

CLEANING

NEVER CLEAN THE GLASS WHEN THE DOORS ARE HOT. DO NOT USE AMMONIA OR ANY AMMONIA BASED GLASS OR HOUSEHOLD CLEANER TO CLEAN THE GLASS OR THE DOOR FRAME. AN AMMONIA BASED CLEANER WILL DAMAGE THE FINISH.

Remove dirt and grime from the doors using a clean dampened towel followed by wiping with a dry towel. To remove stubborn stains from the doors, use a mild soap solution and towel to gently scrub away stain. Take care not to scratch the glass surface. Do not use abrasive cleaners.

IMPORTANT: THESE GLASS DOORS UTILIZE TEMPERED GLASS WHICH IS DESIGNED FOR USE WITH HIGH TEMPERATURES BUT CAN UNEXPECTEDLY SHATTER. DO NOT SIT CLOSE TO THE GLASS.

Tempered glass will break into small particles if it should shatter unexpectedly. If the glass breaks, particles of extremely hot glass could be discharged into the surrounding environment, thereby creating a risk of personal injury or fire. Observation of the above operating precautions and instructions will reduce the risk of personal injury or fire.

If the tempered glass pane becomes scratched or chipped, it creates a weakness in the glass which can cause the glass to break when heated. Replace the pane of glass by contacting your nearest distributor or dealer.

Lennox Hearth Products reserves the right to make changes at any time, without notice, in design, materials, specifications, prices and also to discontinue colors, styles and products.
Consult your local distributor for fireplace code information.

Printed in U.S.A. © 2006 by Lennox Hearth Products
P/N 750,210M REV. A 07/2006



HEARTH PRODUCTS

1110 West Taft Avenue
Orange, CA 92865

Free Manuals Download Website

<http://myh66.com>

<http://usermanuals.us>

<http://www.somanuals.com>

<http://www.4manuals.cc>

<http://www.manual-lib.com>

<http://www.404manual.com>

<http://www.luxmanual.com>

<http://aubethermostatmanual.com>

Golf course search by state

<http://golfingnear.com>

Email search by domain

<http://emailbydomain.com>

Auto manuals search

<http://auto.somanuals.com>

TV manuals search

<http://tv.somanuals.com>