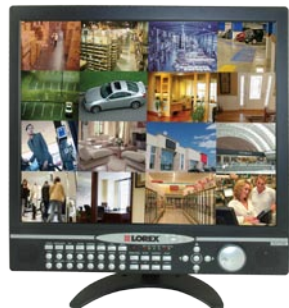




# PROFESSIONAL 19" LCD OBSERVATION SYSTEM WITH BUILT-IN 16 CHANNEL DIGITAL VIDEO RECORDER AND 16 HIGH RESOLUTION CAMERAS

- 19" LCD with integrated 16 channel Pentaplex Digital Video Recorder
- Pentaplex operation allows you to View, Playback, Record, Back-up and remotely control the system simultaneously
- Superior image quality with 16 High Resolution, Indoor/Outdoor, Weatherproof<sup>3</sup> Day/Night<sup>2</sup> Cameras
- Dual Codec compression technology: JPEG2000 for local recording at high resolution. H.264 for efficient network transmission
- 500 GB High Reliability Surveillance Hard Disk Drive<sup>4</sup> pre-installed, with 5 year end user limited warranty
- Supports two SATA Hard Drives : Max 750GB Each
- Internet Remote Viewing<sup>1</sup>, Backup and Control utilizing client software (included)
- Mouse driven navigation, mouse included
- Multi-lingual on screen display (English , French, Spanish, Chinese & Russian)
- 60 ft. (18m) extension cable included per camera



## VESA STANDARD

Removeable Hard Drive bay for easy backup



L19LD1600 Series

IP SURVEILLANCE

## FEATURES

### Monitor:

- Multiple easy to use control options: front panel buttons, Remote Control (included) and mouse (included).
- On Screen Display: Date, Time, Sequence, Alarm status, Motion, Video loss, Camera title.
- Multi-Lingual on screen display (English , French, Spanish, Chinese and Russian)
- Industry standard BNC connector with 16 loop out ports.
- Stand or Wall mountable (VESA Standard)

### Built-in 16 Channel Pentaplex DVR:

- Dual Codec Compression Technology : JPEG 2000 for local recording at high resolution. H.264 for efficient network transmission
- Records up to 480 FPS (Frames Per Second) for NTSC @ 360x120 resolution. Supported resolutions: 720x240 (2CIF) ; 360x240 (CIF); 360x120
- 500GB 'Surveillance Certified' Hard Drive Included (expandable to 750GB)
- Supports two SATA Hard Drives : Max 750GB each; one in the removable HDD bay and one internal. Maximum total capacity of 1.5 TB.
- HDD Designed for Surveillance: Hard drive is specifically designed for optimal performance in the commercial video security market
- Covert Camera function: The camera will not be viewable on the monitor, but video images will still be recorded
- Multiple Recording Modes (Schedule, Holiday and Scheduled event recording)
- Panic Recording, by pressing the panic button the system will start recording at the highest resolution
- Multiple Search Engines (Date/Time, Percent, Event)
- Programmable motion-detection
- Four channel audio recording and selectable one channel audio playback
- USB 2.0 Port (for backup, firmware upgrade)
- PTZ (Pan/Tilt/Zoom) control capable (multi-protocol)
- Multiple screen modes: single, split 6, 8, 9, 13, 16

### High Resolution Color Cameras:

- Advanced High Resolution Image Sensor - Produces Sharp and Clear Video with 480 TV Lines
- 30 IR LEDs Provides Class Leading Night Vision Range of 75ft/23m<sup>2</sup>
- True Day/Night Operation using Built-in IR Filter Changeable Mechanism to Achieve Accurate Color Representation in Varying Lighting Conditions
- Advanced Day/Night mode: Picture Automatically Switches to B&W Delivering Better Clarity in Low Light Conditions
- Weatherproof Design: Ideal for Outdoor and Indoor applications (IP66<sup>3</sup>)



## PACKAGE INFORMATION:

### L19LD1600501

<b>UPC</b>	7-78597-16005-5
<b>Cube:</b>	2.9 cbf/0.08 cbm
<b>Weight:</b>	12.5 kg/27.5lbs
<b>Dimensions:</b>	20.7"/510mm W 11.81"/300mm D 21.14"/537mm H
<b>Contents:</b>	19" LCD Monitor with Built-in 16 Channel DVR, 1 IR Remote control, 1 x Mouse , 1 x Power adaptor for Monitor, 1 X 10ft (3m) Ethernet Cable, 1 x Software CD, 1 Quick Start Guide

### L19LD1616501

<b>UPC</b>	7-78597-16165-6
<b>Cube:</b>	4.9 cbf/0.14 cbm
<b>Weight:</b>	31.7 kg/69.9lbs
<b>Dimensions:</b>	20.7"/510mm W 11.81"/300mm D 21.14"/537mm H
<b>Contents:</b>	19" LCD Monitor with Built-in 16 Channel DVR, 1 IR Remote control, 1 x Mouse , 1 x Power adaptor for Monitor, 1 X 10ft (3m) Ethernet Cable, 1 x Software CD, 1 Quick Start Guide, 16 x cameras, 16 x 60ft cable, 16 x power adapter, 16 x BNC to RCA adapter

## CONNECTIONS:



# SPECIFICATIONS:

## Monitor

<b>LCD:</b>	19" TFT LCD Panel
<b>Resolution:</b>	1024x768 60HZ(NTSC), 1024x768 75HZ (PAL)
<b>Monitor display:</b>	Real time: 480 Fps(NTSC) , 400 Fps (PAL)
<b>Image size:</b>	16 Kbyte (NORMAL) 20 Kbyte (HIGH) 28 Kbyte (BEST)
<b>Video inputs:</b>	16 x 1.0Vp-p, CVBS, 75ohms, BNC
<b>Audio Inputs:</b>	4 x line-in, RCA
<b>Audio Outputs:</b>	1 x line-out, RCA
<b>Supply voltage:</b>	100VAC-240VAC, 12VDC , 8.33A, 50/60Hz
<b>Power consumption:</b>	Approx. 61 watts
<b>Operating Temp. Range:</b>	41°~104° F / 5° ~ 40° C
<b>Unit Weight:</b>	10 kg/22 lbs
<b>Unit Dimensions (w/o stand):</b>	16.4" / 418mm x 3.9" / 100mm x 15.8" / 400mm (W X D X H)
<b>Carton Weight:</b>	12.5 kg/27.5lbs
<b>Carton Dimensions:</b>	11.8" / 300mm 20.8"/530mm 20.0"/510mm (W X D X H)

## DVR

<b>Hard disk capacity:</b>	500GB Installed (Max 2 x 750GB)
<b>Operating System:</b>	RTOS (embedded)
<b>Secondary Storage:</b>	USB Default (USB memory stick)
<b>Back-up file formats:</b>	AJP, can be converted to AVI and JPEG via Remote Agent Software
<b>Compression:</b>	JPEG 2000 / H.264 (for Remote Transmission)
<b>Recording speed: (FPS)</b>	480/400 : 360x120/360x144 (NTSC/PAL) 240/200 : 360x240/360x288 (NTSC/PAL) 120/100 : 720x240/720x288 (NTSC/PAL)
<b>Record Scheduling:</b>	Hourly, Daily, Weekly, and Holiday Schedule
<b>Post alarm recording:</b>	1~5 minutes (Post)
<b>Event/System Log View:</b>	Up to 1,000 event lists for motion detection, image loss, and alarm trigger
<b>Playback:</b>	Full, Quad, 6CH, 8CH, 9 CH, or 16CH
<b>Alarm inputs:</b>	16 x TTL, programmable as NC/NO
<b>Alarm outputs:</b>	1 x Relay with NO/NC Dry contact
<b>Activity detection:</b>	16x12 grid, Sensitivity levels: 4
<b>PTZ Control:</b>	RS-485 interface
<b>Remote Functions:</b>	Live View, Search, Set-up, Back-up
<b>Network Speed Control:</b>	Jpeg2000: 10 levels H.264: 100KB/sec ~ 2500KB/sec
<b>Network Protocol:</b>	TCP/IP, DDNS, Web
<b>Network Interface:</b>	10/100-Base-TX, RJ-45

<sup>1</sup> Requires a high speed internet connection and router – not included

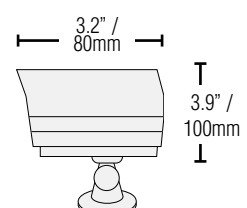
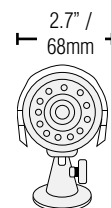
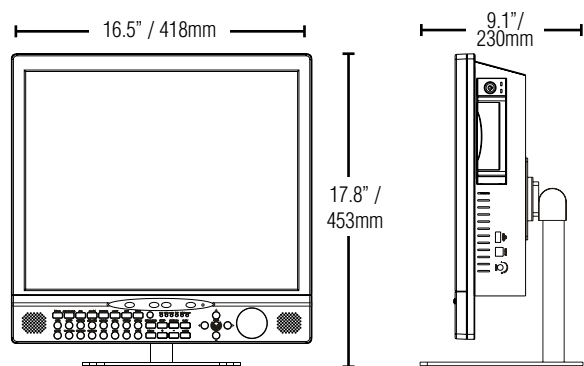
<sup>2</sup> IR illumination range up to 75 ft (23M) under ideal conditions. Objects at or beyond this range may be partially or completely obscured, depending on the camera application.

<sup>3</sup> Not recommended for submersion in water

## Cameras

<b>Image Sensor:</b>	High Resolution 1/4" Advanced Color Image Sensor
<b>Video Format:</b>	NTSC
<b>Effective Pixels:</b>	H: 656, V: 492
<b>Resolution:</b>	480 TV Lines
<b>Scan System:</b>	2:1 Interlace
<b>Sync System:</b>	Internal
<b>S/N Ratio:</b>	More than 48dB
<b>Iris:</b>	AES
<b>AES Shutter Speed:</b>	1/60~1/50,000 Sec
<b>Minimum Illumination:</b>	0.6 Lux without IR LED, 0 Lux with IR LED
<b>Video Output:</b>	Composite 1.0Vpp @ 75 ohm
<b>Lens/ Lens Mount:</b>	5mm F 2.0/ Fixed
<b>FOV (Diagonal):</b>	50 degree
<b>Termination:</b>	BNC Type
<b>IR LED/ Night Vision Range:</b>	30 pieces / 850 nm / 75ft/23m
<b>Power Requirement:</b>	12Vdc
<b>Power Consumption:</b>	220 mA or 3W max4.8KG / 10.6LBS
<b>Operating Temp. Range:</b>	-10° ~ 50° C 310mm/12.2"(w) x 310mm/12.2"(d)
<b>Unit Dimensions :</b>	2.7" / 68mm X 3.2"/80mm X 3.9"/100mm (W X D X H)
<b>Environmental Rating:</b>	IP 66

## DIMENSIONS:



## Lorex Technology Inc.

300 Alden Road, Markham,  
Ontario L3R 4C1 Canada.

3700 Koppers Street  
Baltimore, Maryland 21227, USA.

©2008 Lorex Technology Inc.  
As our product is subject to continuous improvement, Lorex Technology & subsidiaries reserve the right to modify product design, specifications & prices without notice and without incurring any obligation. E80E

1-09082007

## Free Manuals Download Website

<http://myh66.com>

<http://usermanuals.us>

<http://www.somanuals.com>

<http://www.4manuals.cc>

<http://www.manual-lib.com>

<http://www.404manual.com>

<http://www.luxmanual.com>

<http://aubethermostatmanual.com>

Golf course search by state

<http://golfingnear.com>

Email search by domain

<http://emailbydomain.com>

Auto manuals search

<http://auto.somanuals.com>

TV manuals search

<http://tv.somanuals.com>