

Camera Features

- Patented Mirroring Technology Makes Camera Invisible to the Human Eye Yet Allows The Camera to Properly View
- Security Mirror Form Factor is Ideal for Commercial/Retail Applications
- Cable Pass-through Wall Mount Bracket Conceals and Protects Connection Cables
- Ceiling flush mountable or wall mountable using included cable pass-through bracket.



Ceiling Flush Mount



Wall Mount

Package Contents



1 x Color Concealed Security Mirror Camera with Mounting Stand



1 x HEX Adjustment Key (For Mounting Stand)

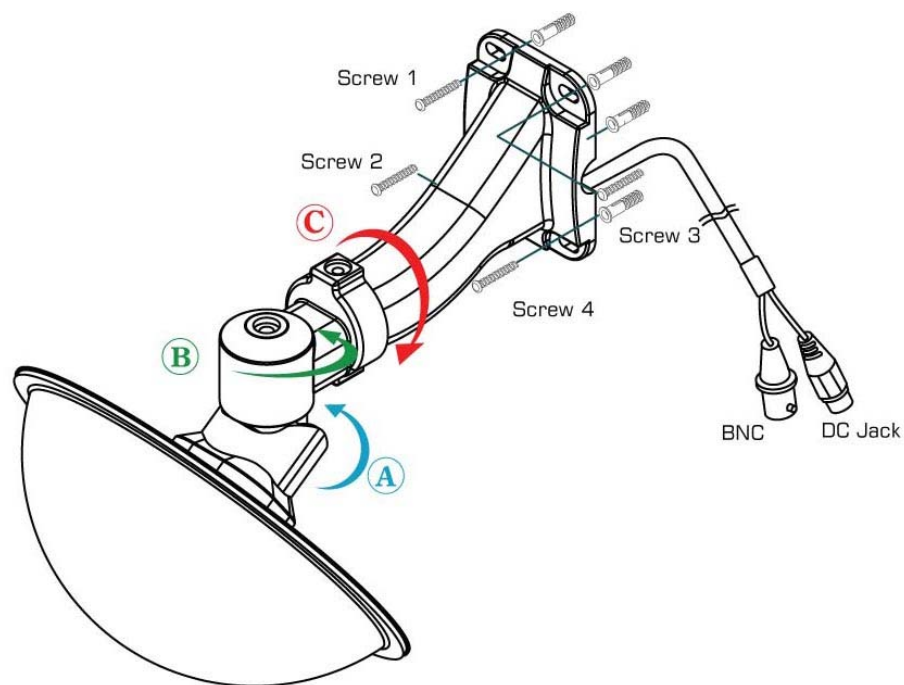
WARNING - REGULATED 12V DC 500mA power supply is provided for use with this camera. Use of a non-regulated, non-conforming power supply can damage this product and will void the warranty.

Mounting Options

The Camera can be installed to a wall or ceiling, or can be ceiling flush mounted using included cable pass-through bracket.

Wall Mounting:

1. Mount the camera to the desired mounting surface by firmly attaching the Mounting Bracket using 4 screws (at points listed as Screws 1~4 on the below diagram).



2. Use the Hex Adjustment Key to set the desired angle of the camera (at points A, B and C on the above diagram).
3. Connect the Extension cable to the camera.

Ceiling Mounting:

1. Remove the Mounting Bracket from the back of the Camera (4 screws)

2. Drill a hole in the ceiling large enough to pass the BNC/Power Cable through.

NOTE: If using the Ceiling Mounting method, run the Extension Cable to the location prior to mounting the Camera.

3. Connect the BNC/Power Cable end of the Camera to the BNC/Power connections on the Extension cable before installing the Camera Base.

4. Screw the Camera Base to the ceiling.

5. Angle the Camera by loosening the side screws. Set the desired angle, and tighten the screws.

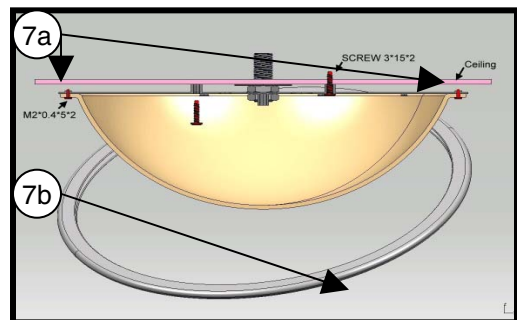
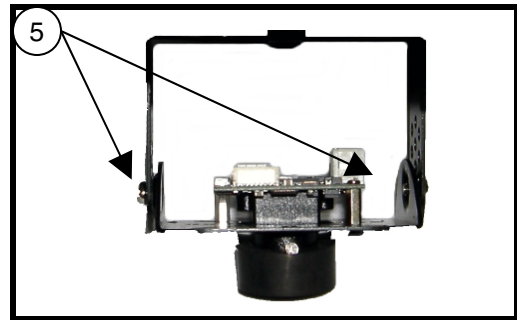
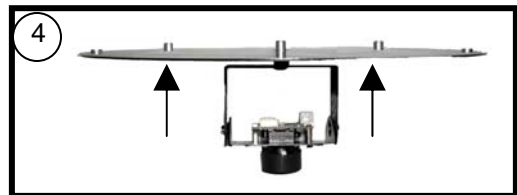
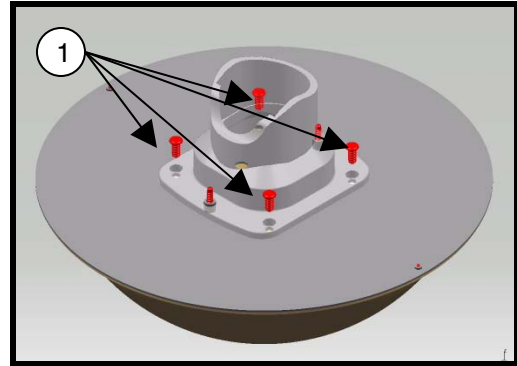
6. There are two screw holes on the Dome cover – align these holes with the screw holes on the base.

Once the holes are aligned, adjust the Dome Insert so that the opening is aligned with the Lens.

Place the Dome Cover over the Camera and Base, making sure to align the dome cover holes with the holes on the camera base.

7a. Screw the two side clip screws on the Dome Cover into the base to hold the dome cover in place.

7b. Use the Rubber Dome Ring to seal the Dome to the Base.



Installing the Camera & Optional Extension Cable

1. Connect the optional Extension cable to the Camera:

- Connect the BNC & Power ends of the cable to the Camera
- Connect the Power Adaptor connector to the AC Power Cable attached to the camera.

Remember to check the ends of the cable before permanent installation, as the power connection ends are different (one side has a female barrel power connection, and one end has a male power plug).

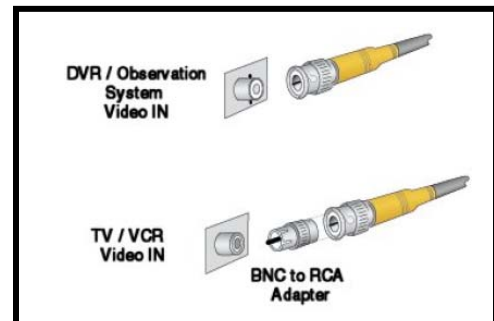


VIDEO INPUT:
Connect the BNC cable to the video input of the monitor, and connect the power adaptor to an outlet.

CAMERA:
Connect the BNC and Power cables to the Camera

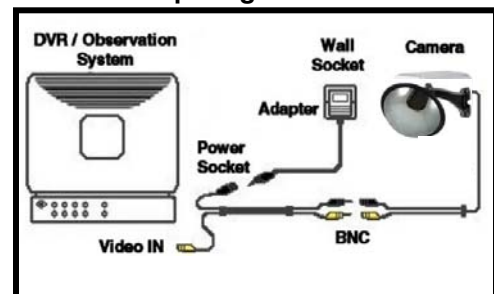
2. Connect the BNC end of the Extension Cable to the DVR / Observation System or to a TV/VCR.

NOTE: Connect the BNC to RCA Adaptor as needed to allow for proper connectivity.



3. Connect the A/C Power Adaptor to the Extension Cable (Black connector). Plug the Power adaptor to a wall outlet

Camera Setup Diagram



Camera Specifications

Image Sensor Type	1/3" Color CCD Image Sensor
Video Format	NTSC
Effective Pixels	510H x 492V (251K)
Horizontal Resolution	420 TV Lines
Scan System	525 Lines 2:1 Interlace
Sync System	Internal
S/N Ratio	More than 52dB without AGC
Iris	AES
AES Shutter Speed	1/60 ~ 1/120,000
Min Illumination	0.2 LUX (Sens-up up to x32)
Video Output	Composite 1.0Vp-p @ 75ohms
Audio Output	Not Supported
Lens / Focal Length	Fixed 3.6mm F2.0
FOV (Diagonal)	92°
Termination	BNC, Power DC Jack
IR LED / Night Vision Range	N/A
Power Requirement	12V DC ±10%
Power Consumption	110mA or 1.4W
Operating Temperature	14°F ~ 122°F / -10°C ~ 55°C

Free Manuals Download Website

<http://myh66.com>

<http://usermanuals.us>

<http://www.somanuals.com>

<http://www.4manuals.cc>

<http://www.manual-lib.com>

<http://www.404manual.com>

<http://www.luxmanual.com>

<http://aubethermostatmanual.com>

Golf course search by state

<http://golfingnear.com>

Email search by domain

<http://emailbydomain.com>

Auto manuals search

<http://auto.somanuals.com>

TV manuals search

<http://tv.somanuals.com>