

Power Up your Computer Remotely

QDR-TELS

USER GUIDE

(Version 1.0)



1. QDR-TELS Introduction

The QDR-TELS module is an accessory to the VISTAPRO 4 which allows you to power up/power down your computer remotely via the telephone.

Note that you must also be using the I/O Alarm block with your VISTAPRO 4 in order to incorporate the QDR-TELS.

1.1. Items in the Package

- ✓ The QDR-TELS module
- ✓ USB Cable
- ✓ Telephone Cable
- ✓ DC Power Adapter
- ✓ User Guide

1.2. Features

1) Voice Prompting : The QDR-TELS uses Voice Prompts to guide the user through the features and functions of the module.

2) PIN Protected: The module requires a PIN code before remotely turning on the PC.

2. QDR-TELS Installation

Step 1: Connect the QDR-TELS to the I/O Alarm Block of the VistaPro 4

Using the USB Cable supplied, plug one end into the USB port found on the I/O Alarm Block (see diagram) and the other end to the USB port found on the QDR-TELS module.

Step 2: Connect the QDR-TELS to the premises telephone line.

Using the supplied telephone cable, plug the RJ-11 modular plug into the 'TEL IN' RJ-11 jack, (located on the back of the QDR-TELS Module). The other end of the telephone cable is then plugged into a premise RJ-11 wall jack.

To connect a local telephone to the QDR-TELS, simply plug the cable from the telephone into the 'TEL OUT' RJ-11 Jack on the module.

Step 3: Power Up the Module

To apply power to the module, plug the power connector from the supplied Power Supply Adapter into the Power Jack (located on the back of the QDR-TELS module). Plug the Power Cord into a 110/120 VAC outlet..

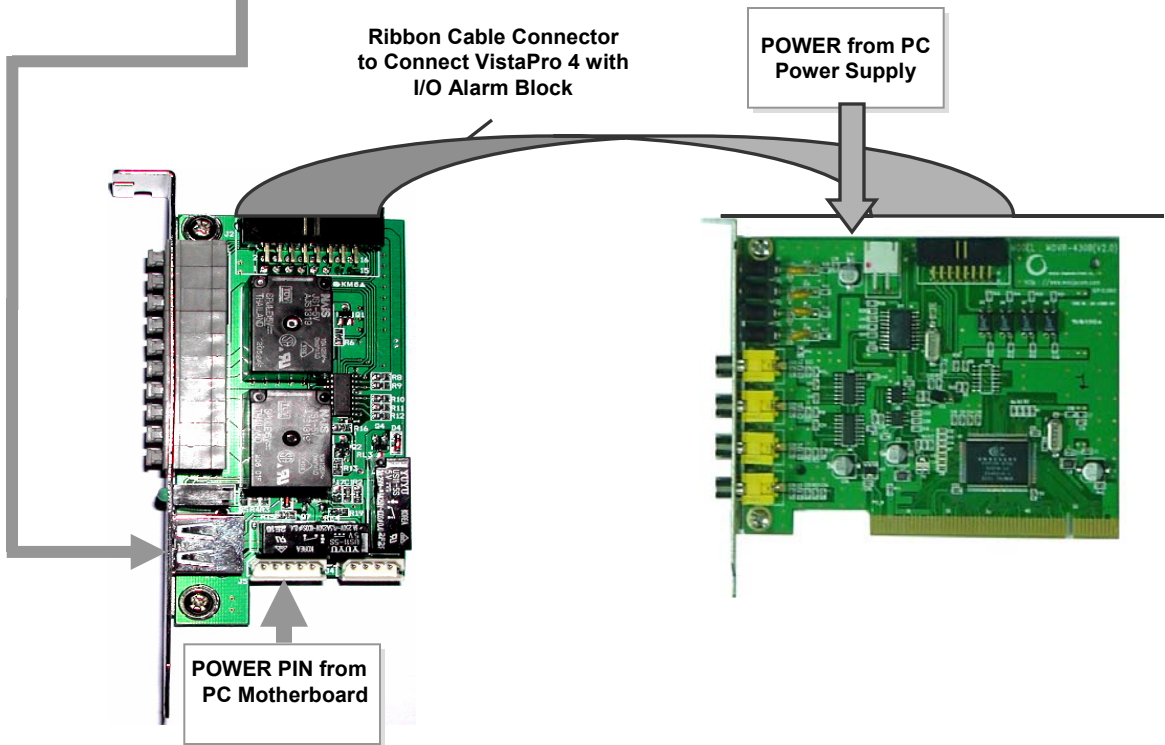
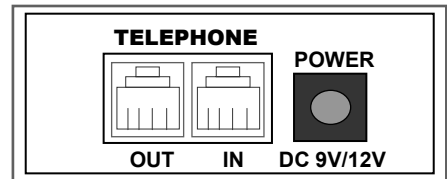
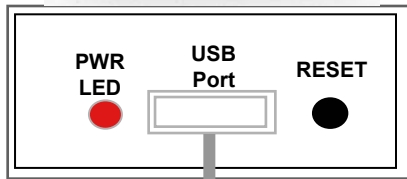
NOTE: By default, the system password is 0000 and the rings to answer is set at 3.

3. Connection Diagram & Installation

QDR-TELS
FRONT



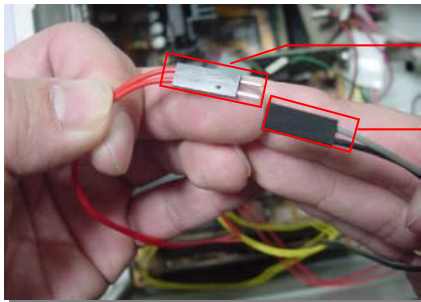
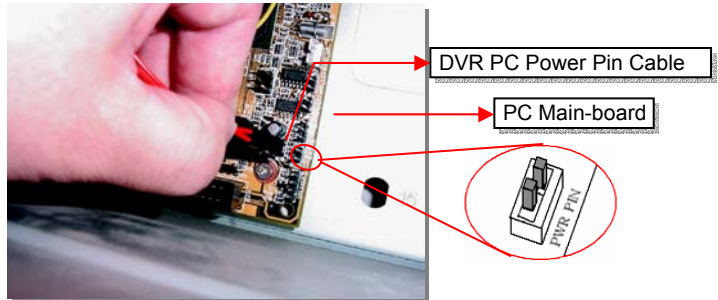
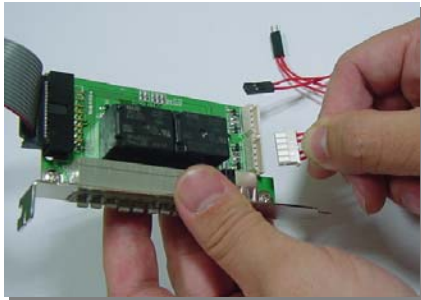
QDR-TELS
BACK



NOTES:

In order for the QDR-TELS to operate properly, the VistaPro 4 and I/O Alarm Board must already be installed in the PC with particular attention to the items below:

1. The VistaPro 4 main board and I/O board have to be connected each other. (I/O board cable connector)
2. The power supply port for camera power on the VistaPro main board must be connected to the PC Power Supply. (Power supply cable)
3. The Socket for 'PC Power On Control' of the VistaPro I/O Alarm board must be connected to the Power Pin on the PC main-board (PC Power Pin connection cable -red cable). The other side of this cable must be connected with the Power Switch connection cable on the front of PC case.



For further instructions related to the installation of the VistaPro 4 and I/O Alarm Block, please refer to the VistaPro 4 Installation and User Manual.

4. Remotely Turning the PC ON/OFF using the QDR-TELS

- 1) Call the premise from a remote location.
- 2) After the designated number of rings, the module will pick up and request a PIN. If a valid PIN is entered, the QDR-TELS module will prompt to the user the current status of the computer, (On or Off). At this time, the user is presented with the following options.

Order		when Computer is ON	when Computer is OFF	Remark
1	USER	Connecting telephone.	Connecting telephone.	
2		Ringing.	Ringing.	Default : 3 times
3	MSG	" Press password "	" Press password "	
4	USER	Press the password.	Press the password.	Default : 0000
5	MSG	" Computer is running now "	" Computer is off now "	
6	MSG	" Press 0 to turn-off computer and Press 9 to change ringing time "	" Press 1 to run computer and Press 9 to change ringing time "	At this moment, you can press 8 to change password.

- 3) With following the Message, turn PC ON('0') or OFF('1') by pressing the number.

Order		How to OFF of PC	How to ON of PC
7	USER	Press the '0'.	Press the '1'.
8	MSG	" Computer is turned off. Thank you "	" Computer is on now. Thank you "
9	USER	Disconnecting.	Disconnecting.

- 4) With following the Message, change the password('8') or ring time('9') by pressing the number.

Order		Change Password	Change Ringing time
7	USER	Press the '8'.	Press the '9'.
8	MSG	" Press new password with 4-digit buttons "	" Press the number of ringing times "
9	USER	Press new password with 4-digit buttons.	Press the number of ringing times.
10	MSG	" Press again please "	" It is changed. Thank you "
11	USER	Press again.	---
12	MSG	" It is changed. Thank you "	---
13	USER	Disconnecting	Disconnecting

NOTES:

1. In every step, a key must be pressed within 5 seconds of the prompt.
2. Password and / or rings to answer changes will not be saved if the call is terminated during a session.
3. To default the system, press and hold the reset key for more than 3 seconds. (The password will change to 0000, and rings to answer will default back to 3).

Free Manuals Download Website

<http://myh66.com>

<http://usermanuals.us>

<http://www.somanuals.com>

<http://www.4manuals.cc>

<http://www.manual-lib.com>

<http://www.404manual.com>

<http://www.luxmanual.com>

<http://aubethermostatmanual.com>

Golf course search by state

<http://golfingnear.com>

Email search by domain

<http://emailbydomain.com>

Auto manuals search

<http://auto.somanuals.com>

TV manuals search

<http://tv.somanuals.com>