

LONG RANGE COLOR DAY/NIGHT IR CAMERA



The CVC6997 bullet camera offers value-added performance in an economical package. Ideal for any indoor or outdoor application, the advanced features, including exceptional image quality and 75 ft Infrared (low light) illumination, put this camera in a class by itself.

- **Advanced 1/4" CCD Image Sensor with 250,000 effective pixels**
- **62 IR LEDs provide illumination up to 75ft***
- **Weatherproof** Design (IP67) with Removable sunshade ideal for outdoor installations**
- **Color in the day, automatically switches to B/W at night**
- **3.6mm wide angle lens**

* IR illumination range of 75 ft. under ideal conditions. Objects at or beyond this range may be partially or completely obscured, depending on the camera application.

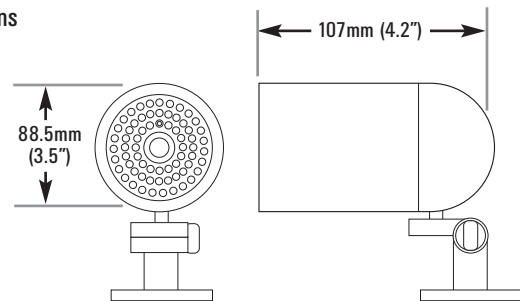
** Not recommended for direct exposure to water, rain or snow.

SPECIFICATIONS

UPC Code: 778597069976

Image Sensor	1/4" Interline transfer type color CCD
Effective Pixels	512 H x 492 V (252k PIXELS)
Scanning System	525 Lines 2:1 Interlace
Resolution	Horizontal 350 TV lines
Shutter Speed	1/60 ~ 1/10,000 sec
S/N Ratio	More than 48dB (AGC off)
Sync. System	Internal
Min. Illumination	1.0Lux (without LED)
White Balance	AWB
Video Output	VBS 1.0 Vp-p (75 ohms load)
Lens	Fixed Lens (3.6mm)
Power Supply	DC12V ±10% (Regulated)
Current Consumption	100mA (without LED)/520mA (with LED)
Operating Temp	14F to 113F (-10~45 degree C)
Operating Humidity	90% RH max.

Dimensions



CVC6997

www.lorexcctv.com

STRATEGIC VISTA INTERNATIONAL INC.

300 Alden Road, Markham,
Ontario L3R 4C1
Canada

3700 Koppers Street, Suite 100
Baltimore, Maryland 21227,
USA

Download from Www.Somanuals.com. All Manuals Search And Download.

©2005 Strategic Vista International Inc.

As our product is subject to continuous improvement, SVII & subsidiaries reserve the right to modify product design, specifications & prices without notice and without incurring any obligation. E&OE

Free Manuals Download Website

<http://myh66.com>

<http://usermanuals.us>

<http://www.somanuals.com>

<http://www.4manuals.cc>

<http://www.manual-lib.com>

<http://www.404manual.com>

<http://www.luxmanual.com>

<http://aubethermostatmanual.com>

Golf course search by state

<http://golfingnear.com>

Email search by domain

<http://emailbydomain.com>

Auto manuals search

<http://auto.somanuals.com>

TV manuals search

<http://tv.somanuals.com>