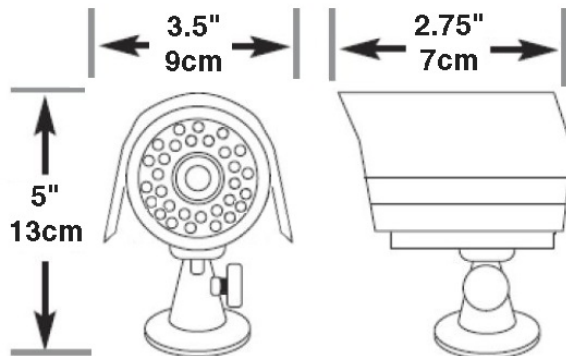


4. Camera Specifications

Specifications:

Image Sensor	1/3" Color CCD Sensor
Video Format / Pixels	NTSC: 510(H) x 492 (V)
Horizontal Resolution	420 TVL
Sync. & Scan. Systems	Internal; 2:1 Interlace
S/N Ratio	> 52dB (without AGC)
Iris & Shutter Speed	AES; 1/60 ~ 1/100,000 sec.
Minimum Illumination	0.05 LUX (IR Off) / 0 LUX (IR LEDs ON)
Video Output	Comp. 1.0 Vpp @ 75ohm
Lens / Focal Length / Aperture / Mount	3.6mm F2.0/ Fixed
FOV (diagonal)	79 Degrees
Termination	Video: BNC Female Power: Barrel Female
IR / Night Vision Range	30IRLED/850nm/66'(20m)
Power Requirement	12V DC ±10%
Power Consumption	340mA max
Operating Temp.	14°F ~ 122°F (-10°C ~ 50°C)
Weight (with stand)	3.7 lbs / 1.68 kg
Dimensions (with stand and sunshade)(W x D x H)	3.5" x 2.75" x 5" 9cm x 7cm x 13cm

Dimensions:



It's all on the web

- Product Information
- Specification Sheets
- User Manuals
- Software Upgrades
- Quick Start Guides
- Firmware Upgrades



VISIT
www.lorexcctv.com

LOREX Technology Inc.
Copyright © 2008 LOREX Technology Inc. As our products are subject to continuous improvement, LOREX and its subsidiaries reserve the right to modify product design, specifications and prices, without notice and without incurring any obligation. E&OE

Download from Www.Somanuals.com. All Manuals Search And Download.

COLOR SUBMERSIBLE NIGHT VISION CAMERA

Model: CVS1000



Quick Set-up Guide

English Version 2.0



1. Package Contents



1 x Color Submersible
Night Vision Camera with
100' Reinforced Video /
Power Extension Cable



1 x Mounting Bracket /
Stand



1 x AC Adaptor
1 x BNC to RCA Adaptor

WARNING - REGULATED 12V DC 1000mA power supply is REQUIRED for use with this camera. Use of a non-regulated, non-conforming power supply can damage this product and will void the warranty.

Features:

- IP68 * Rated Weatherproof/Waterproof Camera
- Submersible Up To Depths of 166ft (50m)
- 1/3" CCD Image Sensor Ensures Exceptional Picture Quality
- Built-in 3.6mm Wide Angle Lens
- IR Night Vision Ensures Vision Even In Zero Light Environments **
- Night Vision Capability - up to 66 ft. (20m) **

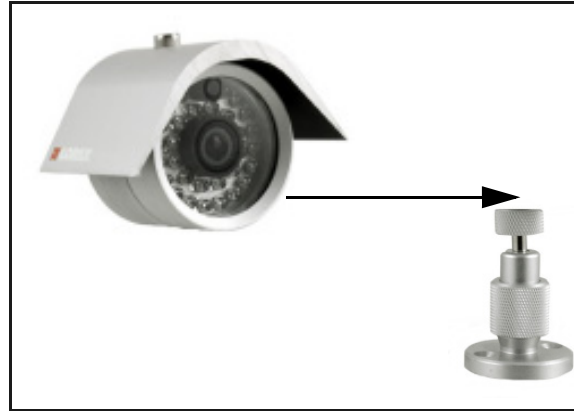
* The IP68 Rating ensures complete waterproofing up to 166ft (50m) depth (under pressure). The camera is not designed for use in salt water or water containing chemicals (e.g. swimming pools)

** **IR Illumination Range - Not Submersed:** 66 ft. (20m) under ideal conditions. Objects at or beyond this range may be partially or completely obscured, depending on the camera application.

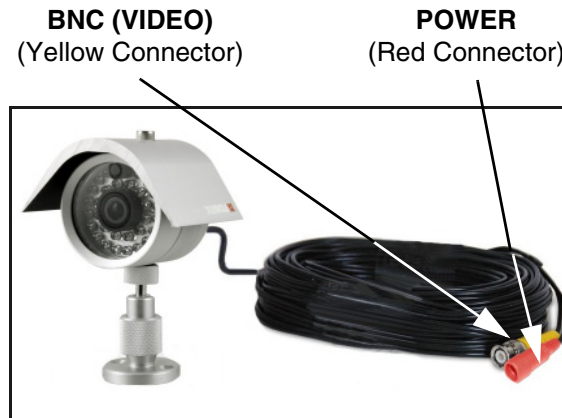
IR Illumination Range - Submersed: underwater is approximately 6' (2m) in clear water not containing particulate, without additional illumination. To extend low light visibility underwater, it is recommended to use a secondary light source (i.e. Floodlighting).

2. Installing the Video Camera

1. Mount the camera stand to the desired mounting surface.
2. Attach the camera to the supplied stand.



3. Run the cable from the Camera to the desired connection device.



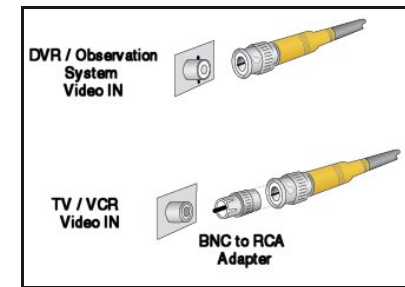
NOTE: CAMERA CONNECTIONS & CABLE -

The BNC and Power cable is hardwired into the Camera. Altering this cable (cutting, resizing, etc.) will damage the waterproof rating and will invalidate the camera warranty.

If an additional extension cable is to be used, the connection between the camera cable and extension cable must be waterproofed (if the connection between the cables is under water).

3. Connecting the Camera

4. Connect the BNC end of the Camera Cable to the DVR / Observation System or to a TV/VCR.

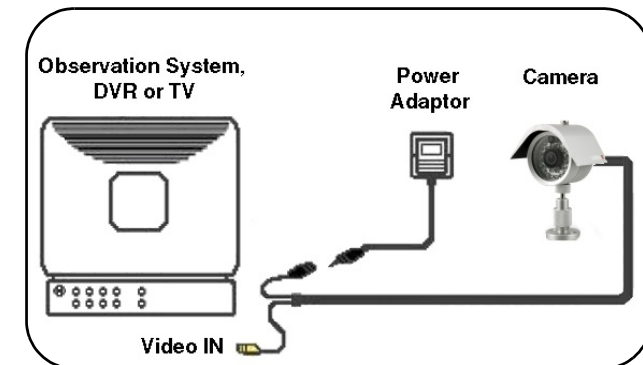


Connect the BNC to RCA Adaptor as needed to allow for proper connectivity.

5. Connect the AC Adaptor to the Camera cable (Red connector). Plug the Power adaptor to a wall outlet



Setup Diagram:



Free Manuals Download Website

<http://myh66.com>

<http://usermanuals.us>

<http://www.somanuals.com>

<http://www.4manuals.cc>

<http://www.manual-lib.com>

<http://www.404manual.com>

<http://www.luxmanual.com>

<http://aubethermostatmanual.com>

Golf course search by state

<http://golfingnear.com>

Email search by domain

<http://emailbydomain.com>

Auto manuals search

<http://auto.somanuals.com>

TV manuals search

<http://tv.somanuals.com>