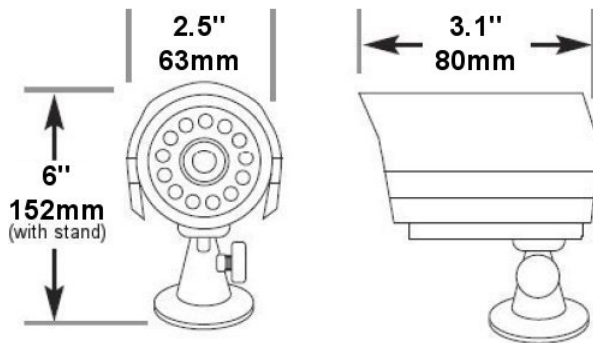


4. Camera Specifications

Image Device	1/4" Interline CCD
Effective Pixels	NTSC:512Hx492V(252K) PAL:512Hx582V(298K)
Scanning System	2:1 interlace NTSC: 525 Lines PAL: 625 Lines
Resolution	Horizontal 420 TV lines
Shutter Speed	NTSC: 1/60 ~ 1/100,000 PAL: 1/50 ~ 1/100,000
S/N Ratio	More than 48dB (AGC off)
Sync. System	Internal
Min. Illumination	0.1 LUX @F1.2 (no LED) 0 LUX (with LED)
White Balance	AWB
Video Output	1.0 Vp-p (75 ohms)
Lens	Fixed Lens (3.6mm)
Power Supply	DC 12V ± 10%
Power Consumption	100mA (LED OFF) 160mA (LED ON)
Operating Temp	14°F ~ 122°F (-10°C ~ 50°C)
Operating Humidity	90% HM Max.

Dimensions:



It's all on the web

- Product Information
- User Manuals
- Quick Start Guides
- Specification Sheets
- Software Upgrades
- Firmware Upgrades



VISIT
www.lorexcctv.com

LOREX Technology Inc.
Copyright © 2007 LOREX Technology Inc. As our products are subject to continuous improvement, LOREX and its subsidiaries reserve the right to modify product design, specifications and prices, without notice and without incurring any obligation. E&OE

Download from Www.Somanuals.com. All Manuals Search And Download.

HOME & BUSINESS SECURITY

**COLOR DAY/NIGHT
CCD BULLET CAMERA
WITH AUDIO**

Model: SG7520 Series

SG7520 (NTSC)
SG7520P (PAL),

Refer to Spec Sheet for specific UPC
and Packaging Configurations.



Quick Set-up Guide

LOREX

1. Package Contents



1 x 1/4" CCD Color Day/Night Camera



1 x Camera Stand



1 x 100' (30m) DIN Extension Cable

Features:

- 1/4" advanced CCD image sensor provides superior image quality.
- Excellent low light sensitivity with 12 infrared LED illuminators*.
- Professional Grade Weatherproof** camera.
- 100 ft. (30m) cable included.
- Color video by day, automatically switches to B&W at night.

* Night Vision Range up to 30ft. (10m) in ideal conditions.

** IP64, Not intended for direct exposure to rain, snow or water.

Note:

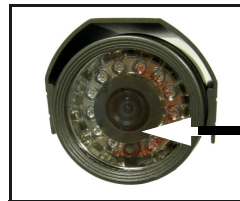
Test the cameras prior to selecting a permanent mounting location by temporarily connecting the Cameras and Cables to the Observation System or DVR.

2. Installing the Camera

1. Attach the camera to the supplied stand. Mount the camera stand to the desired mounting surface

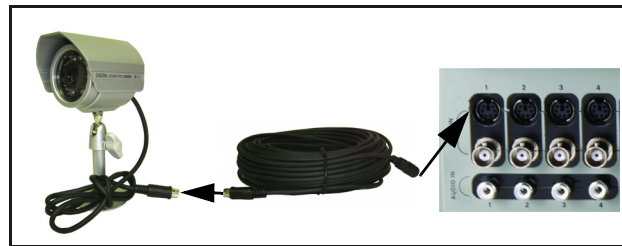


2. Aim the camera. Remove the protective film from the lens.



Lift the plastic tab on the lower edge of the camera to remove the protective film.

3. Connect the 100ft Extension cable to the camera: Connect the other end of the 100ft Extension Cable to the Observation System or DVR.



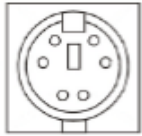
NOTE: Confirm that the arrows on the DIN Extension cable are aligned with the Camera Cable and Observation system ports when connecting the cable. If the pins in the DIN Cable are bent, the Camera will NOT function



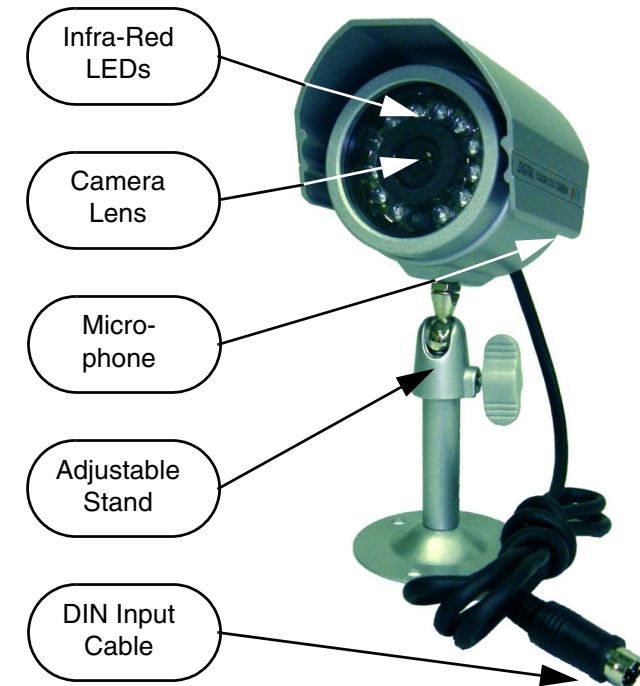
3. Camera Diagram

Cameras with 6 Pin DIN connections draw power from the Observation System or DVR.

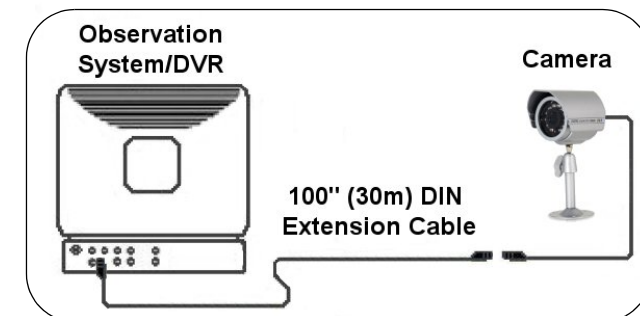
Additional power adapters are not needed for these cameras.



6 PIN DIN



System Connection Diagram:



Free Manuals Download Website

<http://myh66.com>

<http://usermanuals.us>

<http://www.somanuals.com>

<http://www.4manuals.cc>

<http://www.manual-lib.com>

<http://www.404manual.com>

<http://www.luxmanual.com>

<http://aubethermostatmanual.com>

Golf course search by state

<http://golfingnear.com>

Email search by domain

<http://emailbydomain.com>

Auto manuals search

<http://auto.somanuals.com>

TV manuals search

<http://tv.somanuals.com>