



Configuration

DCN-WAP

The DCN Wireless Access Point (WAP) links the WirelessCentral Control Unit (WCCU) and the wireless discussion units and is digitally protected to ensure security. The WAP is linked to the WCCU using Bosch's proprietary optical network, which provides digital optical communication and power over a single cable. Secure wireless communication between the WAP and the discussion units is in the 2.4 GHz band which is license-free worldwide. The WAP can be mounted on a wall, ceiling or floor stand using the universal mounting bracket which is provided.

Highlights

- Secure, digitally protected wireless transmission
- Award winning design which is compact and elegant
- Single cable for power and communication
- Wall, ceiling or floor stand mountable
- 100 feet (30 m) typical range
- Paintable surface

Architectural Specification

Available in PDF or on the web.

Includes

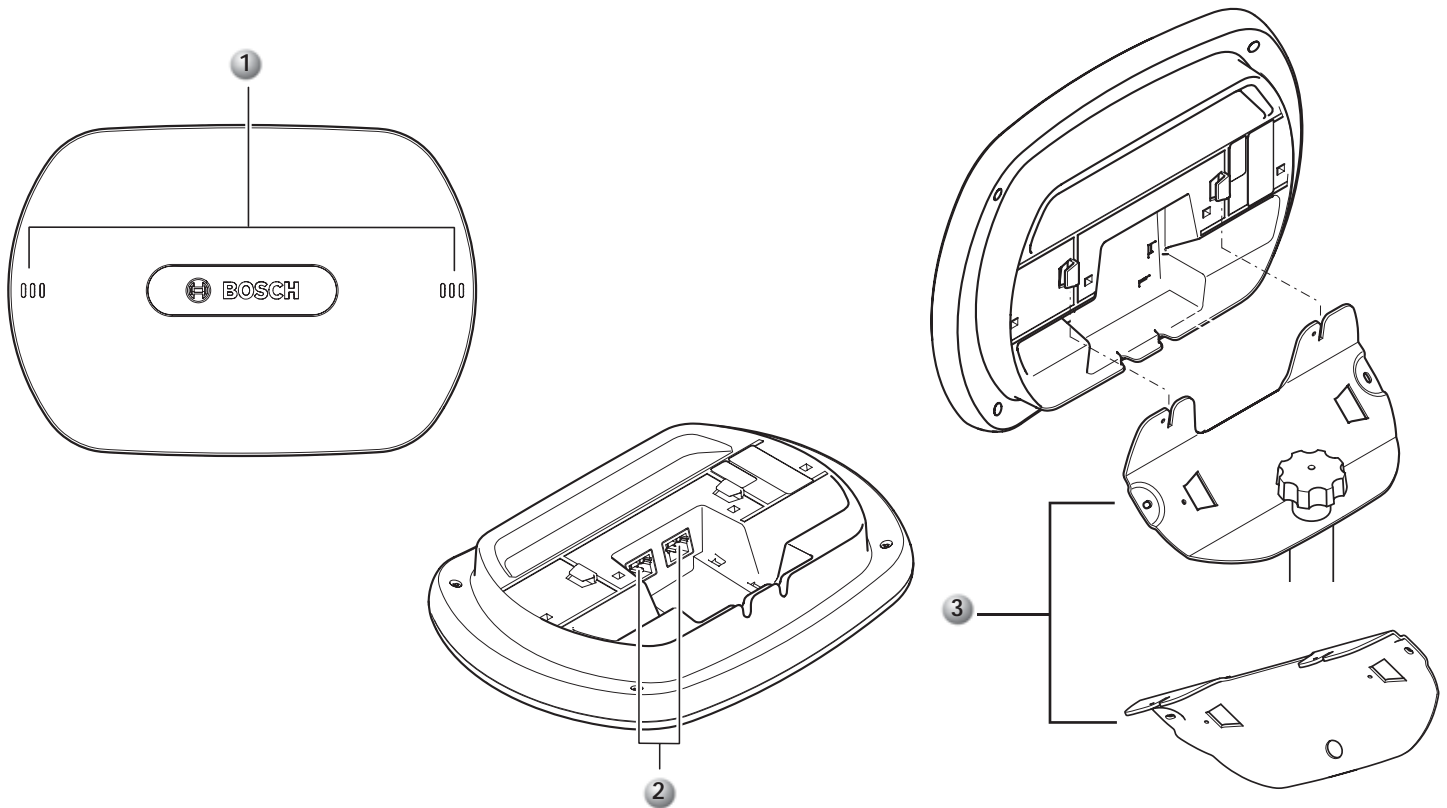
One (1) Wireless Access Point
One (1) Mounting bracket

Requires

DCN-WCCU
LBB 4416/00 or
LBB 4416/01 or
LBB 4416/02 or
LBB 4416/05 or
LBB 4416/10 or
LBB 4416/20 or
LBB 4416/50

Used With

DCN-WD-D
DCN-WDD-D
DCN-WDV-D



Product Features

1. Status LEDs - Give information about the condition of the wireless network and the wireless access point.
2. Optical network sockets - Connect the wireless access point to the optical network.
3. Wall/ceiling/tripod mounting bracket - Used to install the wireless access point.

Accessories



DCN-WFCCCU
Transport Suitcase for
WCCU and WAP



LBC 1259/00
Loudspeaker Floorstand for
XLA3200 Range

Specifications

Specifications		DCN-WAP
Controls & Indicators	Status Indicator	Three (3) LEDs show the status of the wireless system
Interconnections	Optical Network	Two (2) optical network connections (second connection can be used in a 'loop-through' network)
Power	Power Consumption	4 Watts
Physical	Dimensions (H x W x D)	2.3 x 11.2 x 7.9 in (59.0 x 285.0 x 201.0 mm)
	Color	Light Grey (paintable)
	Unit Weight	with bracket: 2.0 lbs (907.0 g)
		without bracket: 1.4 lbs (643.0 g)
	Shipping Weight	3.0 lbs (1.4 kg)
Mounting	Ceiling, Wall or Floor Stand (using included bracket)	

Related Systems

LS-55 DCN Digital Wireless 10-Person Discussion System

Includes:

- (10) DCN-WD-D Wireless Discussion Unit - Dark
- (1) DCN-DISR-SR Discussion Unit Rims - Silver (10)
- (10) DCN-MICS Pluggable Microphone - Standard
- (1) LA-211 Chairman Discussion Unit Button (1 set)
- (10) DCN-WLIION-D Battery Pack for DCN Wireless Discussion Units - Dark
- (2) DCN-WCH05 Battery Pack Charger for DCN-WLIION-D (5 slots)
- (1) DCN-WCCU Wireless Central Control Unit
- (1) DCN-WAP Wireless Access Point
- (1) LBB 4416/10 Optical Network Cable (32.8 ft/10.0 m)



LS-56 DCN Digital 16-Person Conference and Voting System

Includes:

- (15) DCN-WDV-D Wireless Discussion Unit with Voting - Dark
- (2) DCN-DISR-SR Discussion Unit Rims - Silver (10)
- (15) DCN-MICS Pluggable Microphone - Standard
- (1) LA-211 Chairman Discussion Unit Button (1 set)
- (15) DCN-WLIION-D Battery Pack for DCN Wireless Discussion Units - Dark
- (3) DCN-WCH05 Battery Pack Charger for DCN-WLIION-D (5 slots)
- (1) DCN-WCCU Wireless Central Control Unit
- (1) DCN-SWSMV Synoptic Microphone & Voting Software
- (1) DCN-WAP Wireless Access Point
- (1) LBB 4416/10 Optical Network Cable (32.8 ft/10.0 m)



LS-57 DCN Digital 29-Person Dual Discussion System with Software

Includes:

- (15) DCN-WDD-D Wireless Dual Discussion Unit - Dark
- (2) DCN-DISR-SR Discussion Unit Rims - Silver (10)
- (15) DCN-MICL Pluggable Microphone - Extended
- (1) LA-211 Chairman Discussion Unit Button (1 set)
- (2) DCN-DISBDD Dual Use Discussion Unit Buttons (10 sets)
- (15) DCN-WLIION-D Battery Pack for DCN Wireless Discussion Units - Dark
- (3) DCN-WCH05 Battery Pack Charger for DCN-WLIION-D (5 slots)
- (1) DCN-WCCU Wireless Central Control Unit
- (1) DCN-SWSMV Synoptic Microphone & Voting Software
- (1) DCN-WAP Wireless Access Point
- (1) LBB 4416/10 Optical Network Cable (32.8 ft/10.0 m)



Frequently Asked Questions

- Q Is the WAP paintable?
A Yes, but ensure that you use a non-metallic paint.
- Q What is the distance of the transmission from the WAP to the discussion units?
A 100 feet.
- Q What happens if there are no clear Wi Fi channels?
A WAP will push the existing Wi Fi frequencies out of the room.
- Q Are there distance limitations from the WCCU to the WAP?
A Effectively No, because a digital optic cable is used, the signal can be regenerated to accommodate very long distances.

Free Manuals Download Website

<http://myh66.com>

<http://usermanuals.us>

<http://www.somanuals.com>

<http://www.4manuals.cc>

<http://www.manual-lib.com>

<http://www.404manual.com>

<http://www.luxmanual.com>

<http://aubethermostatmanual.com>

Golf course search by state

<http://golfingnear.com>

Email search by domain

<http://emailbydomain.com>

Auto manuals search

<http://auto.somanuals.com>

TV manuals search

<http://tv.somanuals.com>