



English / Français / Spanish



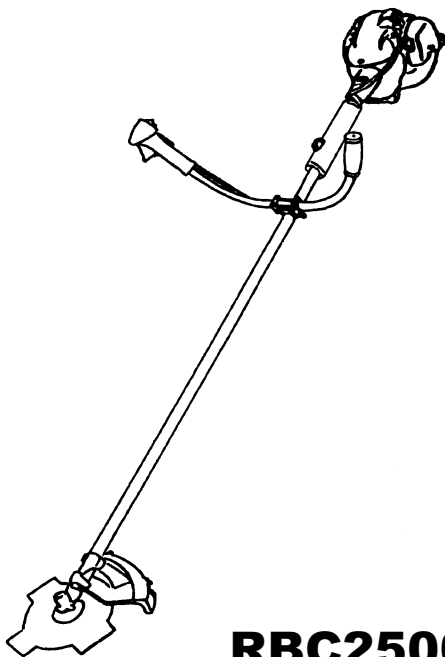
Brush Cutter
Débroussailleuse
Desbrozadora

RBC2500

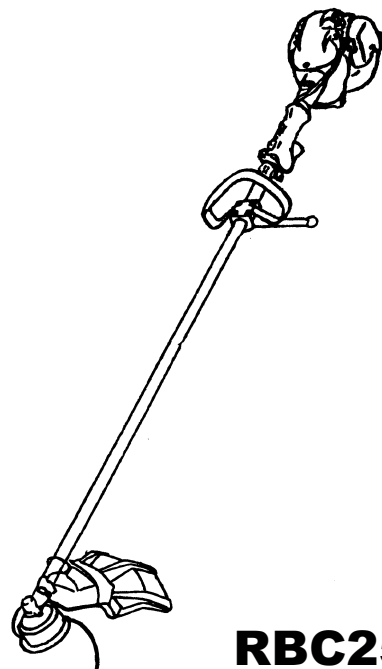
String Trimmer
Taille-bordures
Cortabordes

RBC2510

INSTRUCTION MANUAL
MANUEL D'INSTRUCTIONS
MANUAL DE INSTRUCCIONES



RBC2500



RBC2510

Important:

Read this instruction manual carefully before putting the Brush Cutter/String Trimmer into operation and strictly observe the safety regulations!

Preserve instruction manual carefully!

Recommandation importante:

Lire soigneusement ce manuel d'instructions avant de mettre la débroussailleuse / taille-bordures en service et observer rigoureusement les consignes de sécurité!

Conserver soigneusement ce manuel d'instructions.

Importante:

Leer cuidadosamente este manual de instrucciones antes de poner en marcha la máquina y observar estrictamente las normas de seguridad.

Conservar este manual de instrucciones con cuidado.

Thank you very much for purchasing the MAKITA Brush Cutter/String trimmer. We are pleased to recommend to you the MAKITA Brush Cutter/String trimmer which is the result of a long development programme and many years of knowledge and experience.

Please read this booklet which refers in detail to the various points that will demonstrate its outstanding performance. This will assist you to obtain the best possible result from your MAKITA Brush Cutter/String trimmer.



Table of Contents	Page
Symbols	2
Safety instructions	3
Technical data	7
Designation of parts	8
Assembly of engine and shaft	9
Mounting of handle	10
Mounting of protector	11
Mounting of cutter blade or nylon cutting head	12
Fuels/Refuelling	13
Correct handling of machine	14
Points in operation and how to stop	14
Resharpener the cutting tool	15
Servicing instructions	17
Storage	19

SYMBOLS

You will note the following symbols when reading the instructions manual.

	Read instruction Manual		Wear eye and ear protection (for String trimmer only)
	Take Particular care and Attention		Wear protective helmet, eye and ear protection (for Brush Cutter only)
	Forbidden		Do not use metal blades (for String trimmer only)
	Keep distance		Top permissible tool speed
	Flying object hazard		Fuel and oil mixture
	No Smoking		Engine-Manual start
	No open flame		Emergency stop
	Protective gloves must be worn		First Aid
	Kickback		Recycling
	Keep the area of operation clear of all persons and pets		ON/START
	Wear sturdy boots with nonslip soles. Steel toed safety boots are recommended.		OFF/STOP

SAFETY INSTRUCTIONS

General Instructions

- To ensure correct operation, user has to read this instruction manual to make himself familiar with the handling of the Brush Cutter/String trimmer. Users insufficiently informed will risk danger to themselves as well as others due to improper handling.
- It is recommended only to lend the Brush Cutter/String trimmer to people who have proven to be experienced with Brush Cutter/String trimmers. Always hand over the instruction manual.
- First users should ask the dealer for basic instructions to familiarize oneself with the handling of an engine powered cutter.
- Children and young persons aged under 18 years must not be allowed to operate the Brush Cutter/String trimmer. Persons over the age of 16 years may however use the device for the purpose of being trained only whilst under supervision of a qualified trainer.
- Use Brush Cutter/String trimmers with the utmost care and attention.
- Operate the Brush Cutter/String trimmer only if you are in good physical condition. Perform all work calmly and carefully. The user has to accept liability for others.
- Never use the Brush Cutter/String trimmer after consumption of alcohol or drugs, or if feeling tired or ill.

Intended use of the machine

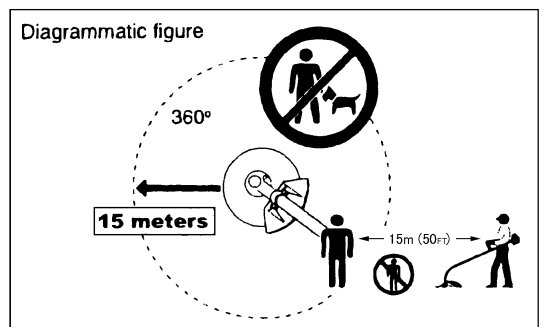
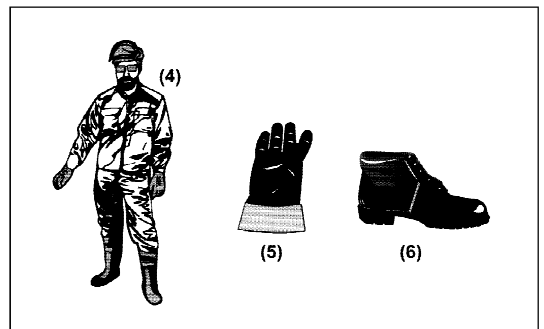
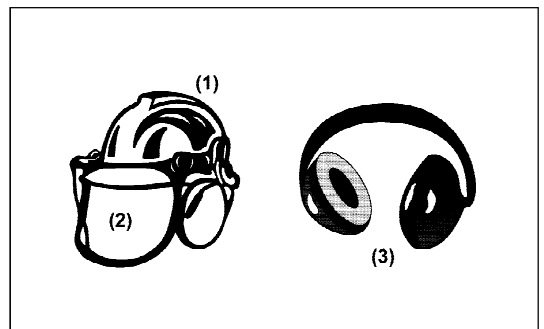
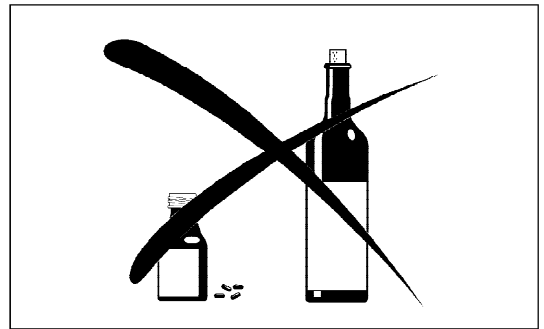
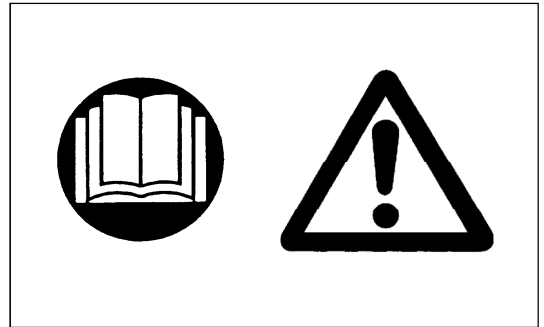
- The Brush Cutter/String trimmer is only intended for cutter grass, weeds, Bushes, undergrowth it should not be used for any other purpose such as Edging or hedge cutting as this may cause injury.

Personal protective equipment

- The clothing worn should be functional and appropriate, i.e. it should be tight-fitting but not cause hindrance. Do not wear either jewelry or clothing which could become entangled with bushes or shrubs.
- In order to avoid either head-, eye-, hand- or foot injuries as well as to protect your hearing the following protective equipment and protective clothing must be used during operation of the Brush Cutter/String trimmer.
- Always wear a helmet where there is a risk of falling objects. The protective helmet (1) is to be checked at regular intervals for damage and is to be replaced at the latest after 5 years. Use only approved protective helmets.
- The visor (2) of the helmet (or alternatively goggles) protects the face from flying debris and stones. During operation of the Brush Cutter/String trimmer always wear goggles, or a visor to prevent eye injuries.
- Wear adequate noise protection equipment to avoid hearing impairment (ear muffs (3), ear plugs etc.).
- The work overalls (4) protect against flying stones and debris. We strongly recommend that the user wears work overalls.
- Special gloves (5) made of thick leather are part of the prescribed equipment and must always be worn during operation of the Brush Cutter/String trimmer.
- When using the Brush Cutter/String trimmer, always wear sturdy shoes (6) with a non-slip sole. This protects against injuries and ensures a good footing.

Starting up the brush cutter

- Please make sure that there are no children or other people within a working range of 15 meters (49ft), also pay attention to any animals in the working vicinity.
- Before use always check that the Brush Cutter/String trimmer is safe for operation:
Check the security of the cutting tool, the control lever for easy action and check for proper functioning of the control lever lock.
- Rotation of the cutting tool during idling speed is not allowed. Check with your dealer for adjustment if in doubt. Check for clean and dry handles and test the function of the start/stop switch.



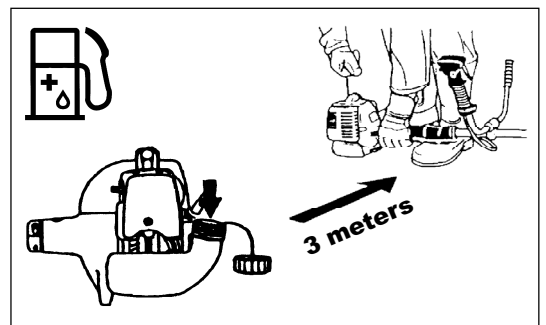
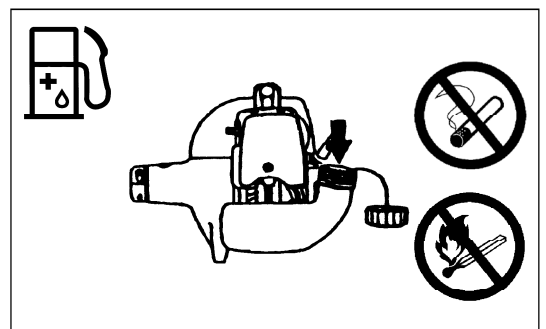
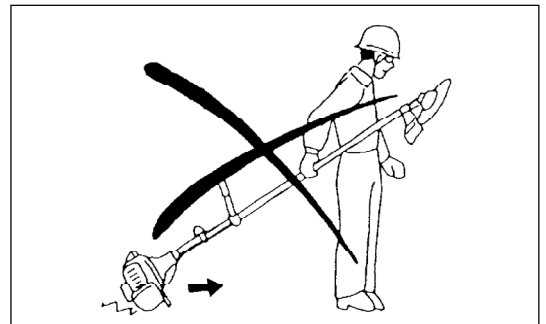
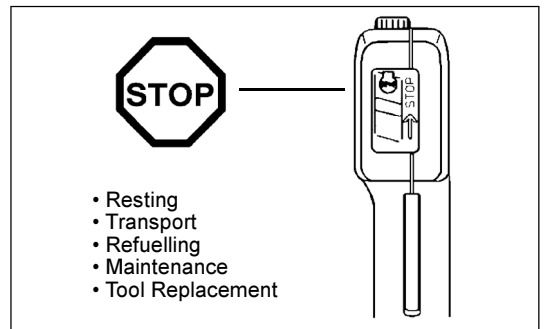
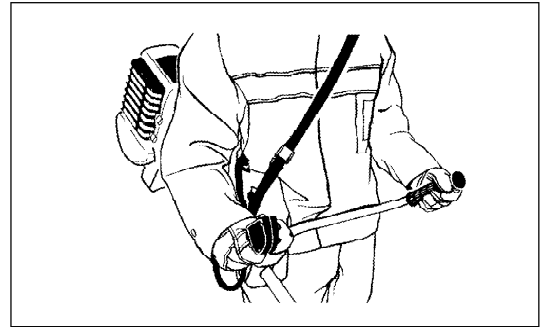
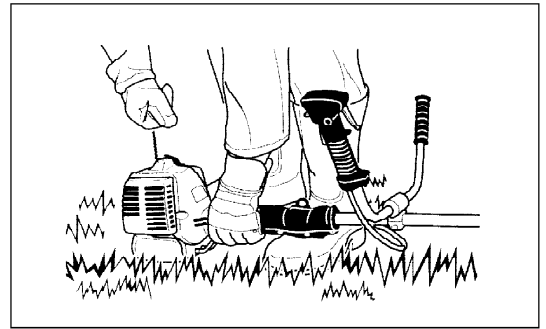
Start the Brush Cutter/String trimmer only in accordance with the instructions.

Do not use any other methods for starting the engine!

- Use the Brush Cutter/String trimmer and the tools only for such applications as specified.
- Only start the Brush Cutter/String trimmer engine, after the entire assembly is done. Operation of the device is only permitted after all the appropriate accessories are attached!
- Before starting make sure that the cutting tool has no contact with hard objects such as branches, stones etc. as the cutting tool will revolve when starting.
- The engine is to be switched off immediately in case of any engine problems.
- Should the cutting tool hit stones or other hard objects, immediately switch off the engine and inspect the cutting tool.
- Inspect the cutting tool at short regular intervals for damage (detection of hairline cracks by means of tapping-noise test).
- Operate the Brush Cutter/String trimmer only with the shoulder strap attached which is to be suitably adjusted before putting the Brush Cutter/String trimmer into operation. It is essential to adjust the shoulder strap according to the user's size to prevent fatigue occurring during use. Never hold the cutter with one hand during use.
- During operation always hold the Brush Cutter/String trimmer with both hands.
Always ensure a safe footing.
- Operate the Brush Cutter/String trimmer in such a manner as to avoid inhalation of the exhaust gases. Never run the engine in enclosed rooms (risk of gas poisoning). Carbon monoxide is an odorless gas.
- Switch off the engine when resting and when leaving the Brush Cutter/String trimmer unattended, and place it in a safe location to prevent danger to others or damage to the machine.
- Never put the hot Brush Cutter/String trimmer onto dry grass or onto any combustible materials.
- The cutting tool has to be equipped with it's appropriate guard.
Never run the cutter without this guard!
- All protective installations and guards supplied with the machine must be used during operation.
- Never operate the engine with faulty exhaust muffler.
- Shut off the engine during transport.
- During transport over long distances the tool protection included with the equipment must always be used.
- Ensure safe position of the Brush Cutter/String trimmer during car transportation to avoid fuel leakage.
- When transporting the Brush Cutter/String trimmer, ensure that the fuel tank is completely empty.
- When unloading the Brush Cutter/String trimmer from the truck, never drop the Engine to the ground or this may severely damage the fuel tank.
- Except in case of emergency, never drop or cast the Brush Cutter/String trimmer to the ground or this may severely damage the Brush Cutter/String trimmer.
- Remember to lift the entire equipment from the ground when moving the equipment. Dragging the fuel tank is highly dangerous and will cause damage and leakage of fuel, possibly causing fire.

Refuelling

- Shut off the engine during refuelling, keep away from open flames and do not smoke.
- Avoid skin contact with mineral oil products. Do not inhale fuel vapor. Always wear protective gloves during refuelling. Change and clean protective clothing at regular intervals.
- Take care not to spill either fuel or oil in order to prevent soil contamination (environmental protection). Clean the Brush Cutter/String trimmer immediately after fuel has been spilt.
- Avoid any fuel contact with your clothing. Change your clothing instantly if fuel has been spilt on it (to prevent clothing catching fire).
- Inspect the fuel cap at regular intervals making sure that it can be securely fastened and does not leak.
- Carefully tighten the fuel tank cap. Change location to start the engine (at least 3 meters away from the place of refuelling).
- Never refuel in closed rooms. Fuel vapors accumulate at ground level (risk of explosions).
- Only transport and store fuel in approved containers. Make sure the fuel stored is not accessible to children.



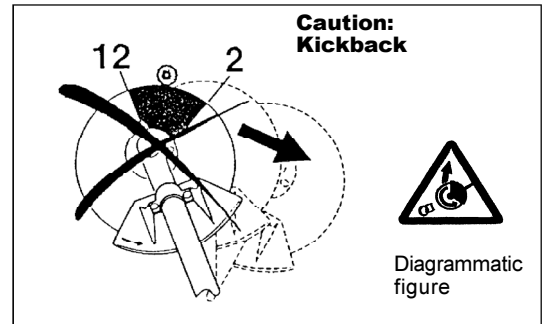
Method of operation

- Only use the Brush cutter/String trimmer in good light and visibility. During the winter season beware of slippery or wet areas, ice and snow (risk of slipping). Always ensure a safe footing.
- Never cut above waist height.
- Never stand on a ladder and run the Brush cutter/String trimmer.
- Never climb up into trees to perform cutting operation with the Brush cutter/String trimmer.
- Never work on unstable surfaces.
- Remove sand, stones, nails etc. found within the working range. Foreign particles may damage the cutting tool and can cause dangerous kick-backs.
- Before commencing cutting, the cutting tool must have reached full working speed.



Kickback

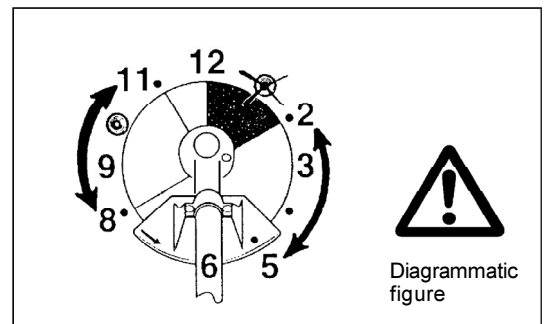
- When operating the brush cutter, uncontrolled kickback may occur.
- This is particularly the case when attempting to cut within a blade segment between 12 and 2 o'clock.
- Never apply the brush cutter within a segment between 12 and 2 o'clock.
- Never apply this segment of the brush cutter blade to solids, such as bushes and trees, etc., having a diameter in excess of 3 cm or the brush cutter will be deflected at great force with the risk of injuries.



Kickback prevention

To avoid kickbacks, observe the following:

- Operation within a blade segment between 12 and 2 o'clock presents positive hazards, especially when using metal cutting tools.
- Cutting operations within a blade segment between 11 and 12 o'clock, and between 2 and 5 o'clock, must only be performed by trained and experienced operators, and then only at their own risk. Easy cutting with almost no kickback is possible within a blade segment between 8 and 11 o'clock.

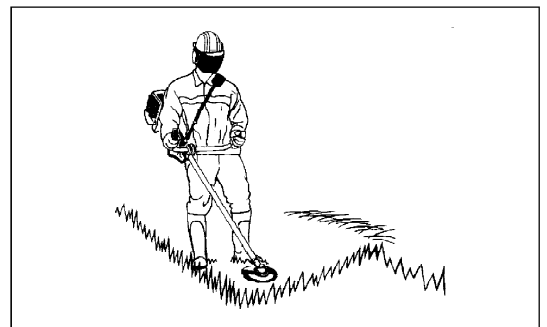


Cutting Tools

Employ only the correct cutting tool for the job in hand.

RBC2500 with cutter blade (Star Blade (4 teeth), Eddy Blade (8 teeth)),
RBC2510 with Nylon cutting head.

For cutting thick materials, such as weed, high grass, bushes, shrubs, underwood, thicket etc. (max. 2 cm dia. thickness). Perform this cutting work by swinging the brush cutter evenly in half-circles from right to left (similar to using a scythe).



Maintenance instructions

- The condition of the cutter, in particular of the cutting tool of the protective devices and also of the shoulder strap must be checked before commencing work. Particular attention is to be paid to the cutting blades which must be correctly sharpened.
- Turn off the engine and remove spark plug connector when replacing or sharpening cutting tools, and also when cleaning the cutter or cutting tool.

Never straighten or weld damaged cutting tools.

- Operate the Brush cutter/String trimmer with as little noise and contamination as possible. In particular check the correct setting of the carburetor.
- Clean the Brush cutter/String trimmer at regular intervals and check that all screws and nuts are well tightened.
- Never service or store the Brush cutter/String trimmer in the vicinity of naked flames.
- Always store the Brush cutter/String trimmer in locked rooms and with an emptied fuel tank.

Observe the relevant accident prevention instructions issued by the relevant trade associations and by the insurance companies.

Do not perform any modifications on the Brush cutter/String trimmer as this will endanger your safety.

The performance of maintenance or repair work by the user is limited to those activities as described in the instruction manual. All other work is to be done by an Authorized Service Agent. Use only genuine spare parts and accessories released and supplied by MAKITA.

Use of non-approved accessories and tools means increased risk of accidents.

MAKITA will not accept any liability for accidents or damage caused by the use of non-approved cutting tools and fixing devices of cutting tools, or accessories.

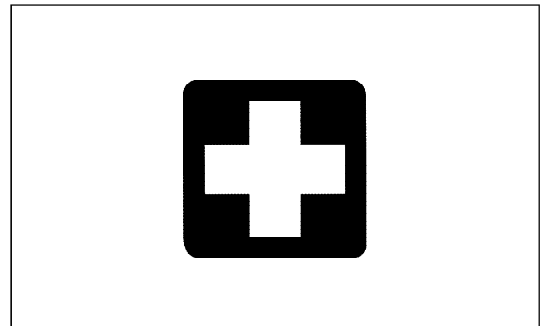


First Aid

In case of accident make sure that a first-aid box is available in the vicinity of the cutting operations. Immediately replace any item taken from the first aid box.

When asking for help, please give the following information:

- Place of accident
- What happened
- Number of injured persons
- Kind of injuries
- Your name



Packaging

The MAKITA Brush cutter/String trimmer will be delivered in two protective cardboard boxes to prevent transport damage. Cardboard is a basic raw material and is therefore consequently reusable or suitable for recycling (waste paper recycling).

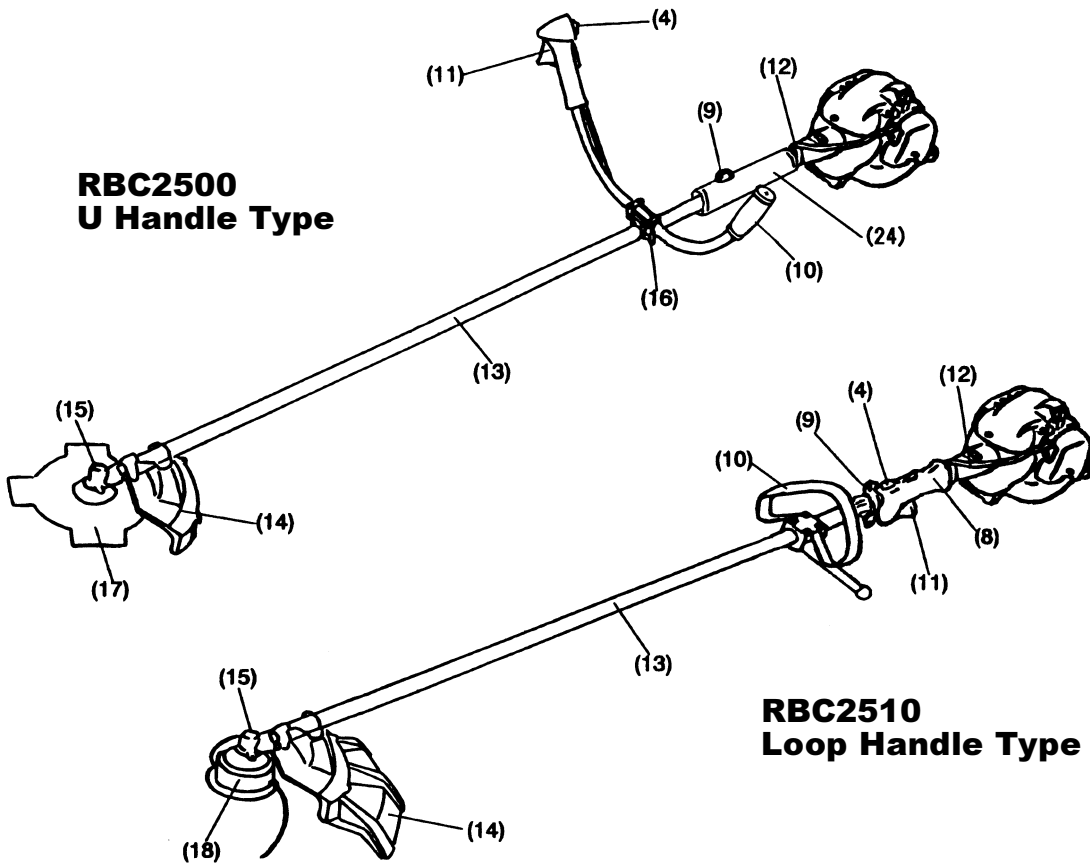


TECHNICAL DATA RBC2500, RBC2510

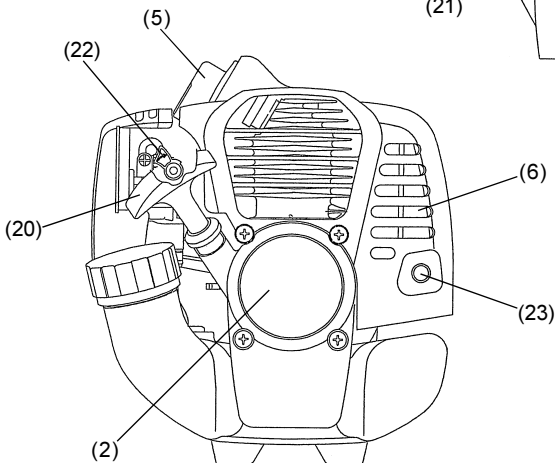
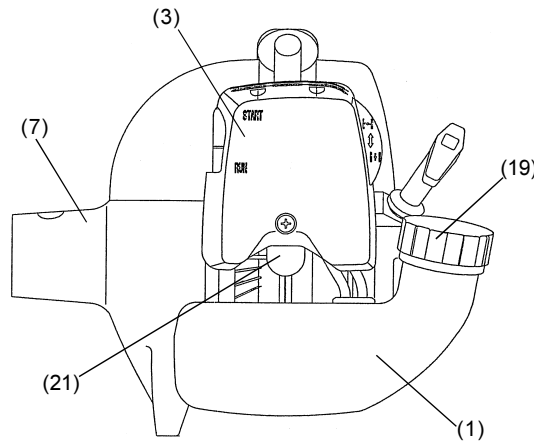
Model		RBC2500	RBC2510
		U handle	Loop handle
Dimensions : length x width x height (without cutting blade)	mm	1770x620x410	1770x340x220
Mass (without plastic guard and cutting blade)	kg	4.5	4.4
Volume (fuel tank)	L	0.5	
Engine displacement	cc	24.5	
Maximum engine performance	HP	1.0 at 7000 /min	
Engine speed at recommended max. spindle speed	/min	8800	
Maximum spindle speed (corresponding)	/min	6000	
Maximum fuel consumption	kg/h	—	
Maximum specific fuel consumption	g/HPh	—	
Idling speed	/min	2600	
Clutch engagement speed	/min	3600	
Carburetor	type	WALBRO WYJ	
Ignition system	type	Solid state ignition	
Spark plug	type	NGK BM7A	
Electrode gap	mm	0.6 - 0.7	
Fuel		Mixed gas(gasoline: Makita Genuine Two-stroke Engine Oil =50:1)	
Gear ratio		14/19	

DESIGNATION OF PARTS

**RBC2500
U Handle Type**



**RBC2510
Loop Handle Type**



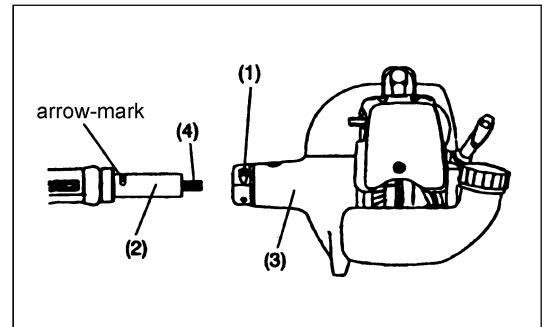
GB	DESIGNATION OF PARTS
1	Fuel Tank
2	Rewind Starter
3	Air Cleaner
4	I-O Switch (on/off)
5	Spark Plug
6	Exhaust Muffler
7	Clutch Case
8	Rear Grip
9	Hanger
10	Handle
11	Control Lever
12	Control Cable
13	Shaft
14	Protector
15	Gear Case
16	Handle Holder
17	Cutter Blade
18	Nylon Cutting Head
19	Fuel Filler Cap
20	Starter Knob
21	Primmer Pump
22	Choke Lever
23	Exhaust Pipe
24	Waist Pad

ASSEMBLY OF ENGINE AND SHAFT

CAUTION: Before doing any work on the brush cutter, always switch off the motor and pull the spark plug connector off the spark plug.
Always wear protective gloves.

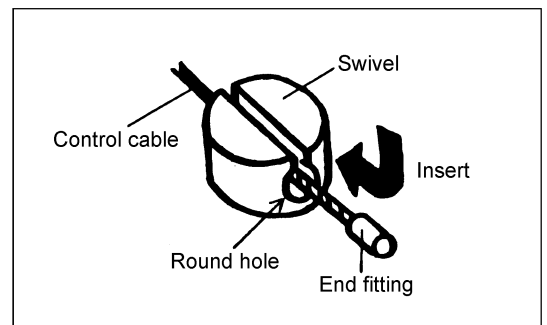
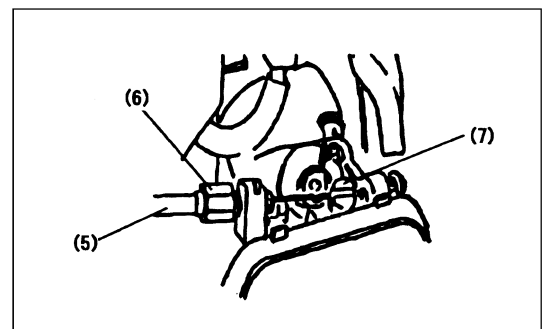
CAUTION: Start the brush cutter only after having assembled it completely.

- Loosen the two bolts (1) and insert the main pipe (2) into the case clutch (3).
- Insert it up to the arrow-mark position. (Refer to the sketch on the right.)
If it is difficult to insert, turn the spline (4) a little and re-insert.
- Tighten the two bolts (1) uniformly on the right and left by Allen wrench supplied.



How to mount the control cable

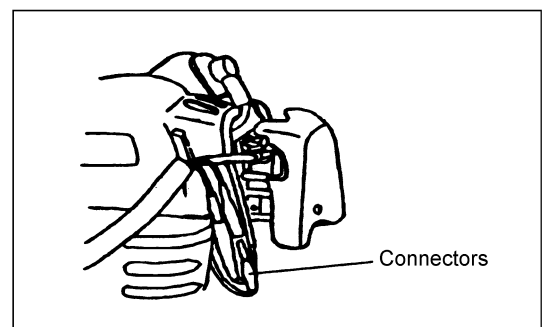
- Remove the air cleaner cover.
- Put the control cable (5) into the adjusting cable (6). Shift the swivel (7) and put the cable into the swivel. At this time, be careful that the round hole in the swivel is oriented toward the fitting at the inner wire end.
- Release the swivel and make sure that the inner wire fitting is placed in the hole.
- Mount the air cleaner cover.



Connection of the switch cord

Connect the switch cords to the two cords from the engine by inserting one into the other.

- Fix the cord connector by clamp.



MOUNTING OF HANDLE

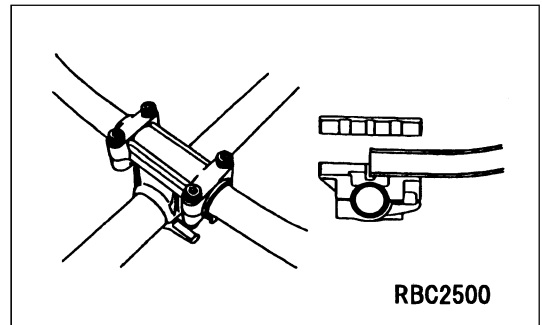
CAUTION: Before doing any work on the brush cutter, always stop the engine and pull the spark plug connector off the spark plug. Always wear protective gloves!

CAUTION: Start the brush cutter only after having assembled it completely.

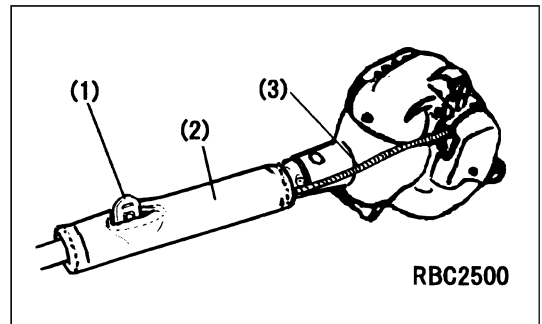


For machines with U Handle models

- Place the handle-fixing metal so that the handle with the control lever will be positioned on the right (the right-hand grip side) as viewed from the engine side, and the other handle on the left side.
- Fit the groove of the handle-fixing material to the handle end. Fix provisionally the attached metal by hexagon socket bolt supplied.
- Adjust the handle to an easy-to-operate position, and tighten securely the four hexagon socket bolts uniformly on the right and left by Allen wrench.

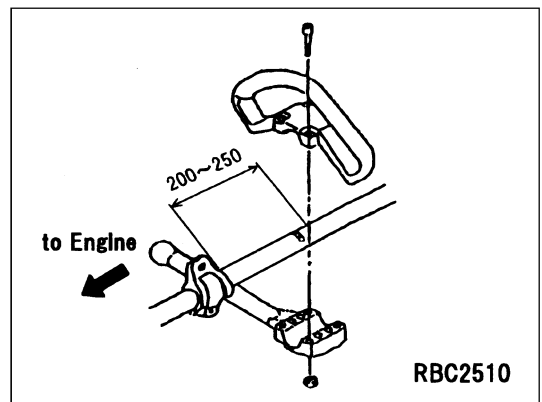


- Wrap the waist pad around the shaft so that the hanger(1) will protrude through the slit in the waist pad and the control cable and the cords(3) will also be wrapped under the waist pad(2).



For machines with Loop Handle

- Fix a barrier to the left side of the machine together with the handle for operator's protection.
- Do not adjust position of the loop handle too close to the control grip.
- The standard position of the handle is 200mm to 250mm from the hanger.



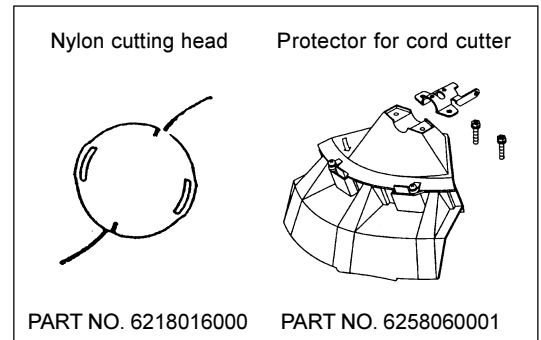
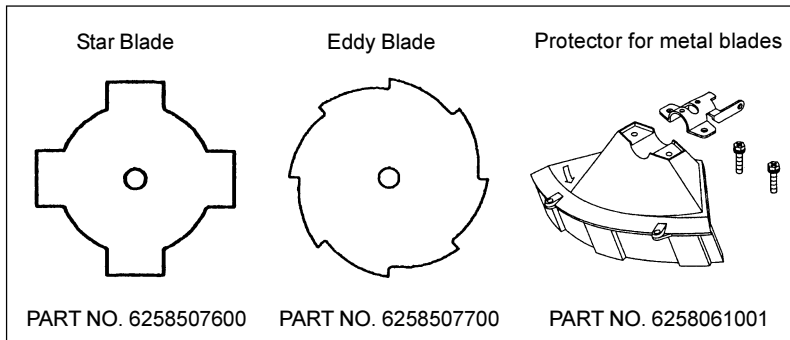
MOUNTING OF PROTECTOR

To meet the applicable safety provisions, only the tool/ protector combinations as indicated in the table must be used.



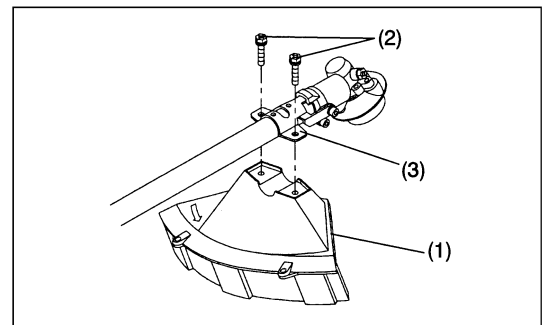
Be sure to use genuine MAKITA cutter blades or nylon cutting head.

- The cutter blade must be well polished, free of cracks or breakage. If the cutter blade hits against a stone during operation, stop the engine and check the blade immediately.
- Polish or replace the cutter blade every three hours of operation.
- If the nylon cutting head hits against a stone during operation, stop the engine and check the nylon cutting head immediately.

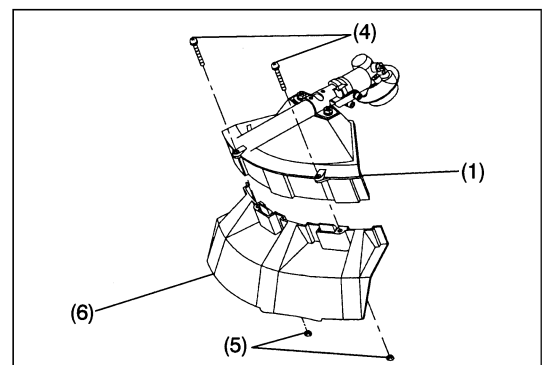


CAUTION: The appropriate protector must always be installed, for your own safety and in order to comply with accident-prevention regulations. Operation of the equipment without the guard being in place is not permitted.

- Fix the protector (1) to the clamp (3) with two bolts M6 x 30 (2).



- When using the string head, fit the protector (6) into the protector (1), and tighten them with two nuts (5) and two screws (4).

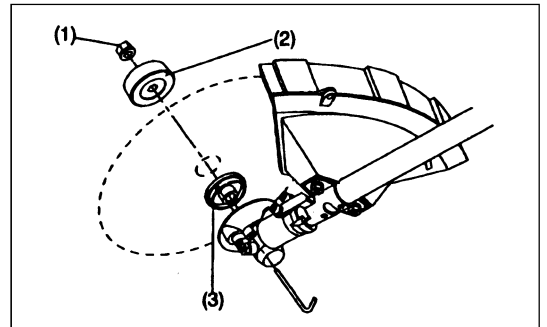


MOUNTING OF CUTTER BLADE OR NYLON CUTTER HEAD

Turn the machine upside down, and you can replace the cutter blade or the nylon cutting head easily.



- Insert the hex wrench through the hole in the gear case and rotate the receiver washer (3) until it is locked with the hex wrench.
- Loosen the nut (1) (left-hand thread) with the socket wrench and remove the nut (1), and clamp washer (2).



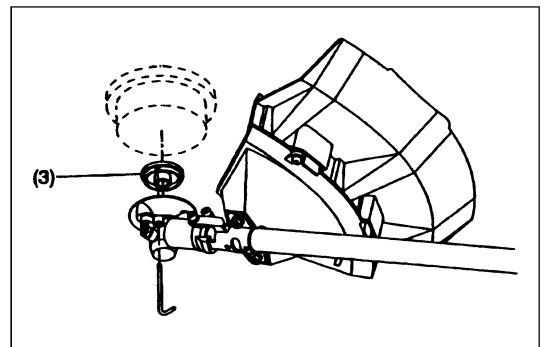
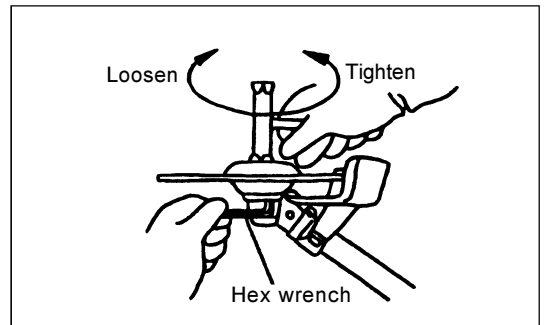
With the hex wrench still in place.

- Mount the cutter blade onto the shaft so that the guide of the receiver washer (3) fits in the arbor hole in the cutter blade. Install the clamp washer (2) and secure the cutter blade with the nut (1).
[Tightening torque: 13 - 23 N-m]

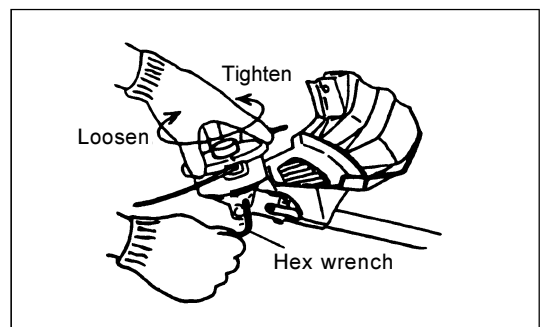
NOTE: Always wear gloves when handling the cutter blade.

NOTE: The cutter blade-fastening nut (with spring washer) is a consumable part. If there appears any wear or deformation on the spring washer, replace the nut.

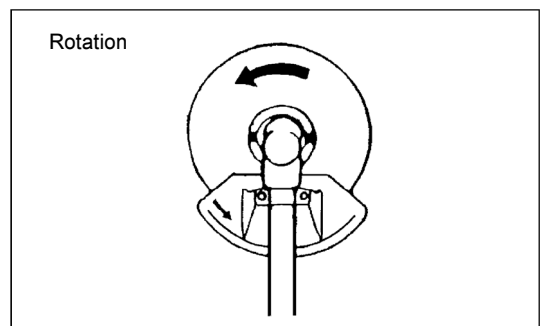
NOTE: The cutter blade-fastening nut (with spring washer) is a consumable part. If there appears any wear or deformation on the spring washer, replace the nut.



- Screw the nylon cutting head onto the shaft.



- Make sure that the blade is the left way up.





Handling fuel

Utmost care is required when handling fuel. Fuel may contain substances similar to solvents. Refuel either in a well ventilated room or outdoors. Do not inhale fuel vapors, avoid any contact of fuel or oil with your skin.

Mineral oil products degrease your skin. If your skin comes in contact with these substances repeatedly and for an extended period of time, it will desiccate. Various skin diseases may result. In addition, allergic reactions may occur. Eyes can be irritated by contact with oil. If oil comes into your eyes, immediately wash them with clear water. If your eyes are still irritated, see a doctor immediately.

Fuel and oil mixture

The engine of the brush cutter is a high-efficiency two-stroke engine. It is run with a mixture of fuel and two-stroke engine oil. The engine is designed for unleaded regular fuel with a min. octane value of 91 RON. In case no such fuel is available, you can use fuel with a higher octane value. This will not affect the engine, but may cause poor operating behaviour.

A similar situation will arise from the use of leaded fuel. To obtain optimum engine operation and to protect your health and the environment, only unleaded fuel should be used!

For lubricating the engine use a two-stroke engine oil (quality grade: TC-3), which is added to the fuel. The engine has been designed to use specified two-stroke engine oil at mixture ratio of 50:1 to protect the environment. In addition, a long service life and a reliable operation with a minimum emission of exhaust gases is guaranteed. It is absolutely essential to observe a mixture ratio of 50:1 (specified 2-stroke engine oil), as otherwise reliable function of the brush cutter cannot be guaranteed.

The correct mixture ratio:

Gasoline : Specified two-stroke engine oil = 50 : 1 or

Gasoline : Other manufacturer's two-stroke engine oil = 25 : 1 recommended

Note: For preparing the fuel-oil mixture first mix the entire oil quantity with half of the fuel required, then add the remaining fuel. Thoroughly shake the mixture before filling it into the brush cutter tank. It is not wise to add more engine oil than specified to ensure safe operation.

This will only result in a higher production of combustion residues which will pollute the environment and clog the exhaust channel in the cylinder as well as the muffler. In addition, the fuel consumption will rise and the performance will decrease.

Refuelling

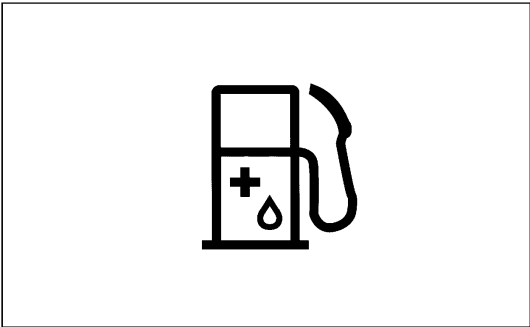
The engine must be switched off.

- Thoroughly clean the area around the fuel filler cap (2), to prevent dirt from getting into the fuel tank (1).
- Unscrew the fuel filler cap (2) and fill the tank with fuel.
- Tightly screw on the fuel filler cap (2).
- Clean screw fuel filler cap (2) and tank after refueling.

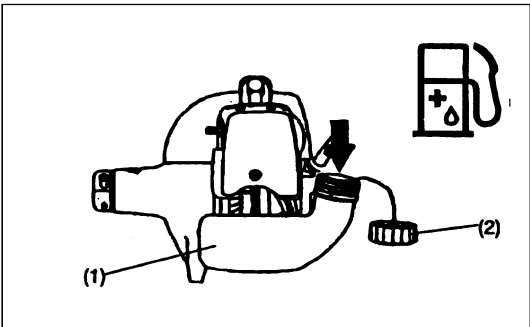
Storage of Fuel

Fuel cannot be stored for an unlimited period of time.

Purchase only the quantity required for a 4 week operating period. Only use approved fuel storage containers.



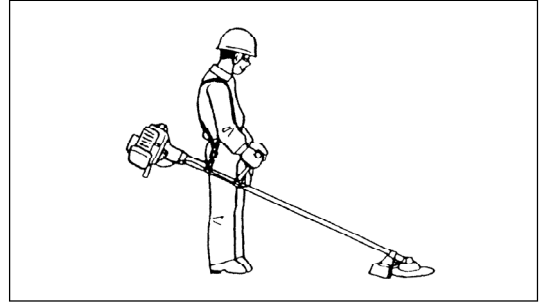
Gasoline	+	50:1	25:1
1000 mL (1 L)		20 mL	40 mL
5000 mL (5 L)		100 mL	200 mL
10000 mL (10 L)		200 mL	400 mL



CORRECT HANDLING OF MACHINE

Attachment of shoulder strap

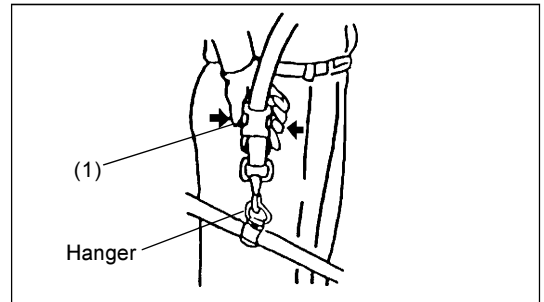
- Adjust the strap length so that the cutter blade will be kept parallel with the ground.



Detachment

- In an emergency, push the notches (1) at both sides, and you can detach the machine from you.
- Be extremely careful to maintain control of the machine at this time. Do not allow the machine to be deflected toward you or anyone in the work vicinity.

WARNING: Failure to maintain complete control of the machine at all could result in serious bodily injury or DEATH.



POINTS IN OPERATION AND HOW TO STOP

Observe the applicable accident prevention regulations.



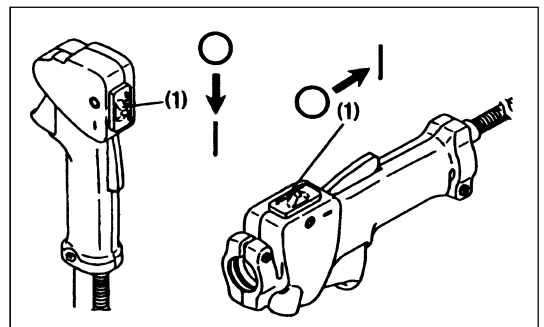
Starting

Move at least 3m away from the place of refuelling. Place the brush cutter on a clean piece of ground taking care that the cutting tool does not come into contact with the ground or any other objects.

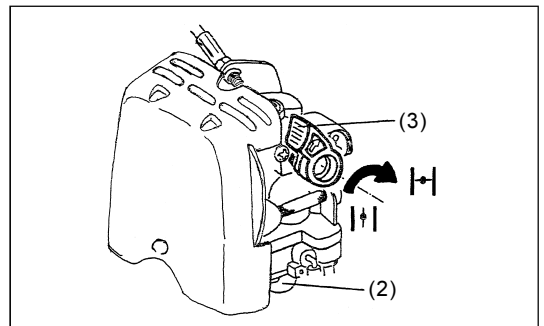
Cold start

For machine with U Handle or Loop Handle

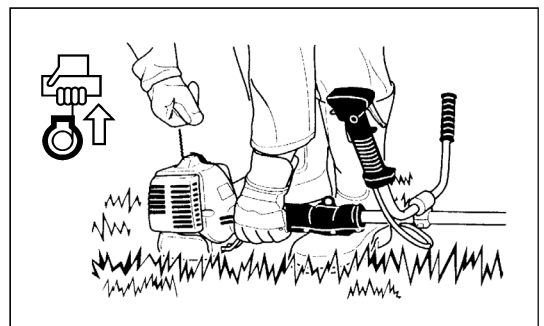
- Push the I-O switch (1) in the direction shown by the arrow.



- First place the machine on the ground.
- Give a gentle push on the primer pump (2) repeatedly (7-10 times) until fuel comes into the primer pump.
- Push the choke lever (3) to the position “|+|”



- Firmly hold the clutch case by your left hand, as illustrated.
- Slowly pull the starter grip until resistance is felt and continue with a smart pull.
- Do not pull out the starter rope to its full extent and do not allow the starter handle to be retracted without control, but ensure that it is retracted slowly.
- Repeat the starting operation until initial ignitions are heard.
- When the engine start, return the choke lever to “|+|”. Please note that the choke lever will return to “|+|” position automatically when the throttle lever is operated and the throttle is opened.



- Run the engine for approximately one minute at a moderate speed before applying full throttle.

Note: - If the starter handle is pulled repeatedly when the choke lever remains at " |←|" position, the engine will not start easily due to excessive fuel intake.

- In case of excessive fuel intake, remove the spark plug and pull the starter handle slowly to remove excess fuel. Also, dry the electrode section of the spark plug.

Caution during operation:

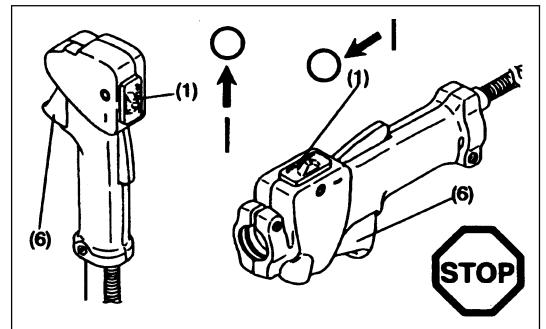
If the throttle lever is opened fully in a no-load operation, the engine rotation is increased to 10,000 min⁻¹ or more. Never operate the engine at a higher speed than required and at an approximate speed of 6,000 - 8,000 min⁻¹.

Starting the warm engine

- Same as above, except without moving the choke lever (choke lever remains in the position " |↓|").

STOPPING

- Release the throttle lever (6) fully, and when the engine rpm has lowered, push the I-O switch (1) to "O" position the engine will now stop.
- Be aware that the cutting head may not stop immediately and allow it to slow down fully.

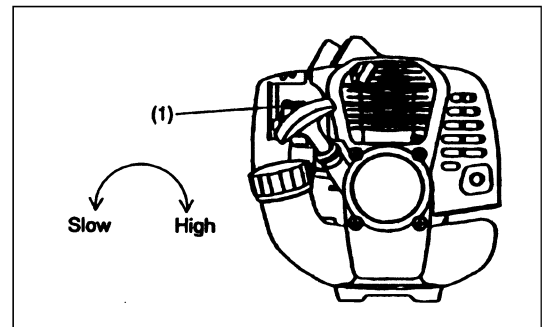


ADJUSTMENT OF LOW-SPEED ROTATION (IDLING)

The cutter blade or the nylon cutting head should not run when the control lever is fully released. If necessary, adjust the idle rpm using the idle adjusting screw.

Checking the Idling speed

- Idle speed should be set to 2,600 min.
- If necessary correct it by means of the idle screw (the blade or the nylon cutting head must not turn when the engine is on idle).
- Screwing in the screw (1) will cause an increase in the engine speed, whereas backing off the screw will reduce the engine speed.



RESHARPENING THE CUTTING TOOL

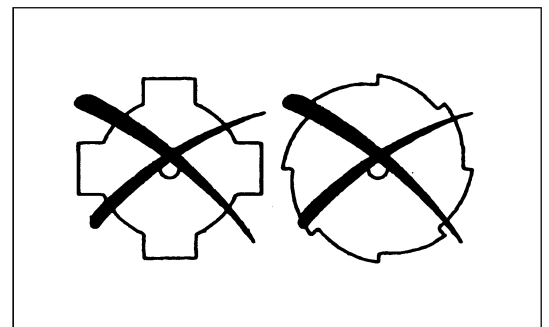


CAUTION: The cutting tools mentioned below must only be resharpened by an authorized facility. Manual resharpening will result in imbalances of the cutting tool causing vibrations and damage to the equipment.

- cutter blade (star blade (4 teeth), eddy blade (8 teeth))

An expert resharpening and balancing service is provided by Authorized Service Agents.

NOTE: To increase the service life of the cutter blade (star blade, eddy blade) it may be turned over once, until both cutting edges have become blunt.



NYLON CUTTING HEAD

The nylon cutting head is a dual string trimmer head capable of both automatic and bump & feed mechanisms.

The nylon cutting head will automatically feed out the proper length of nylon cord by the changes in centrifugal force caused by increasing or decreasing rpms. However, to cut soft grass more efficiently, bump the nylon cutting head against the ground to feed out extra cord as indicated under operation section.

Operation

- Increase the nylon cutting head speed to approx. 6,000/min. Low speed (under 4,800/min) is not suitable, the nylon cord will not feed out properly at low speed.
- The most effective cutting area is shown by the shaded area.

If the nylon cord does not feed out automatically proceed as follows:

1. Release the throttle lever to run the engine idle and then squeeze the throttle lever fully. Repeat this procedure until the nylon cord feeds out to the proper length.
2. If the nylon cord is too short to feed out automatically with the above procedure, bump the knob of the nylon cutting head against the ground to feed out the nylon cord.
3. If the nylon cord does not feed out with procedure 2, rewind/replace the nylon cord by following the procedures described under "Replacing the nylon cord".

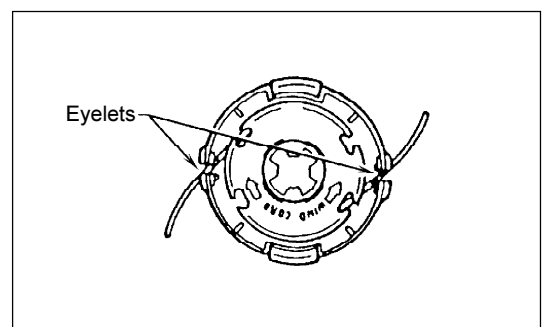
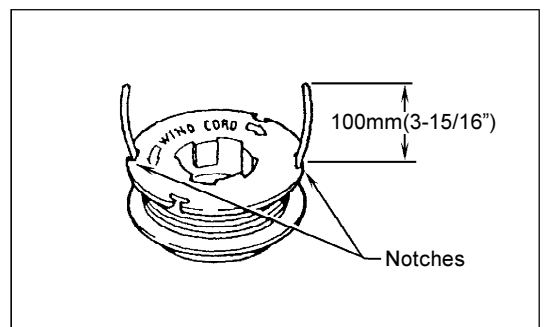
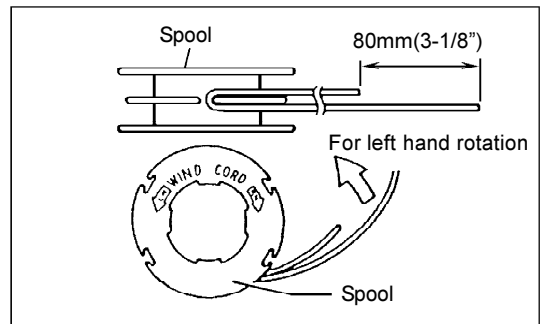
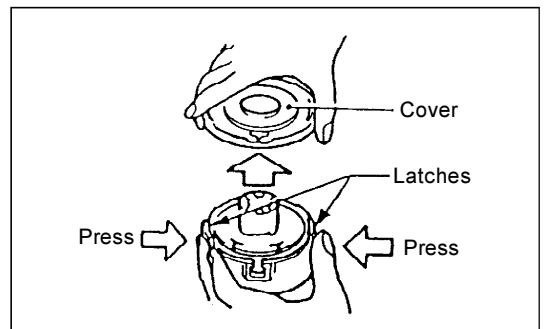
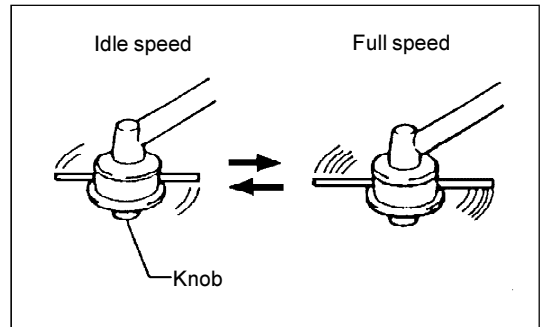
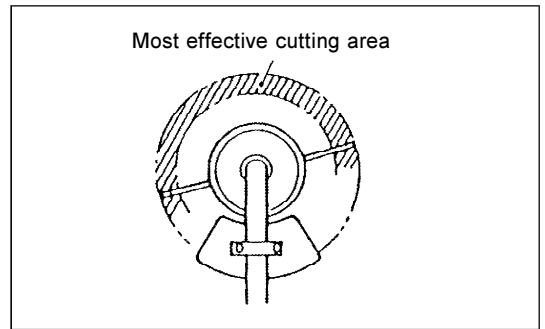
Replacing the nylon cord

- First, stop the engine.
- Press on the housing latches inward to lift off the cover, then remove the spool.

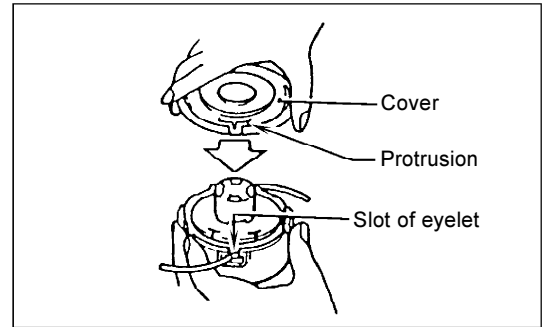
- Hook the center of new nylon cord into the notch in the center of the spool, with one end of the cord extending about 80mm (3-1/8") more than the other. Then wind both ends firmly around the spool in the direction of the head rotation (left-hand direction indicated by LH and right-hand direction by RH on the side of the spool).

- Wind all but about 100mm (3-15/16") of the cords, leaving the ends temporarily hooked through a notch on the side of the spool.

- Mount the spool in the housing so that the grooves and protrusions on the spool match up with those in the housing. Keep the side with letters on the spool visible on the top. Now, unhook the ends of the cord from their temporary position and feed the cords through the eyelets to come out of the housing.



- Align the protrusion on the underside of the cover with the slots of the eyelets.
Then push cover firmly onto the housing to secure it.



SERVICING INSTRUCTIONS

SERVICING INSTRUCTIONS



- CAUTION:** Before doing any work on the Brush cutter, always switch off the motor and pull the plug cap off the spark plug (see "checking the spark plug").
Always wear protective gloves.

- CAUTION:** Never remove the recoil starter for yourself, which may cause an accident. It should be asked to the Authorized Service Agent.

To ensure a long service life and to avoid any damage to the equipment, the following servicing operations should be performed at regular intervals.

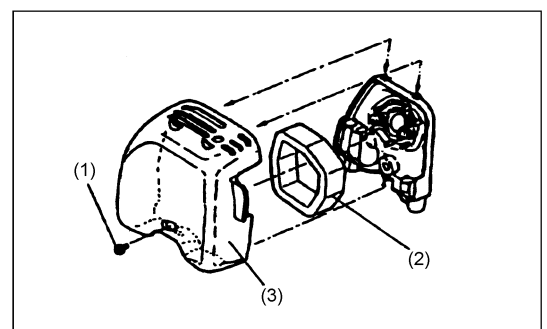
Daily checkup and maintenance

- Before operation, check the machine for loose screws or missing parts. Pay particular attention to the tightness of the cutter blade or nylon cutting head.
- Before operation, always check for clogging of the cooling air passage and the cylinder fins.
Clean them if necessary.
- Perform the following work daily after use:
 - Clean the Brush cutter externally and inspect for damage.
 - Clean the air filter. When working under extremely dusty conditions, clean the filter the several times a day.
 - Check the blade or the nylon cutting head for damage and make sure it is firmly mounted.
 - Check that there is sufficient difference between idling and engagement speed to ensure that the cutting tool is at a standstill while the engine is idling (if necessary, reduce idling speed).
If under idling conditions the tool should still continue to run, consult your nearest Authorized Service Agent.
- Check the functioning of the I-O switch, the lock-off lever, the control lever, and the look button.

Cleaning of air cleaner

- Unscrew screw (1).
- Remove the air cleaner cover (3).
- Take out the sponge element (2), wash it in lukewarm water and dry it completely.
- After cleaning, put back the air cleaner cover (3) and fasten it with screw (1).

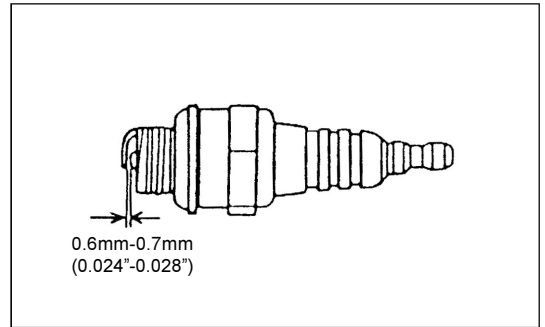
NOTE: If there is excessive dust or dirt adhering to the air cleaner, clean it every day. A clogged air cleaner may make it difficult or impossible to start the engine or increase the engine rotational speed.



Checking the spark plug

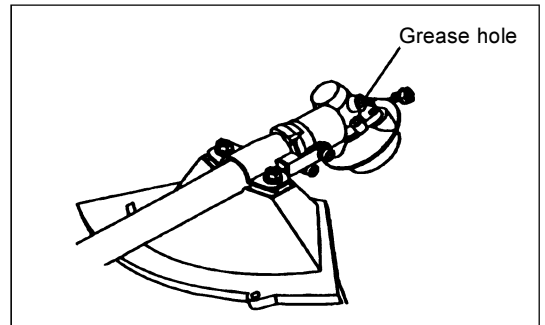
- Only use the supplied universal wrench to remove or to install the spark plug.
- The gap between the two electrodes of the spark plug should be 0.6-0.7mm (0.024"-0.028"). If the gap is too wide or too narrow, adjust it. If the spark plug is clogged with carbon or fouled, clean it thoroughly or replace it.

CAUTION: Never touch the spark plug connector while the engine is running (danger of high voltage electric shock).



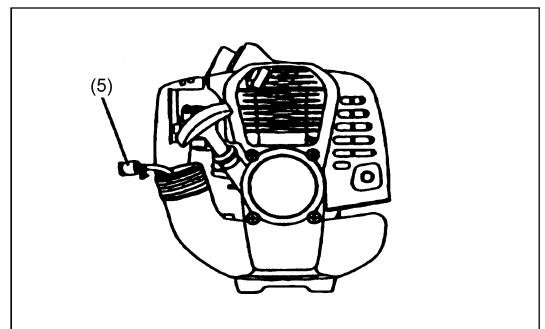
Supply of grease to gear case

- Supply grease (Shell Alvania 3 or equivalent) to the gear case through the grease hole every 30 hours. (Genuine MAKITA grease may be purchased from your MAKITA dealer.)



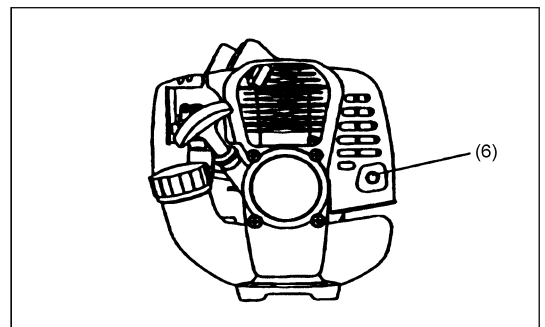
Suction head in the fuel tank

- The fuel filler (5) of the suction head is used to fill the fuel required by the carburetor.
- A periodical visual inspection of the fuel filter is to be conducted. For that purpose open the tank cap, use a wire hook and pull out the suction head through the tank opening. Filters found to have hardened, been polluted or clogged up are to be replaced.
- Insufficient fuel supply can result in the admissible maximum speed being exceeded. It is therefore important to replace the fuel filter at least quarterly to ensure satisfactory fuel supply to the carburetor.



Cleaning of muffler exhaust port

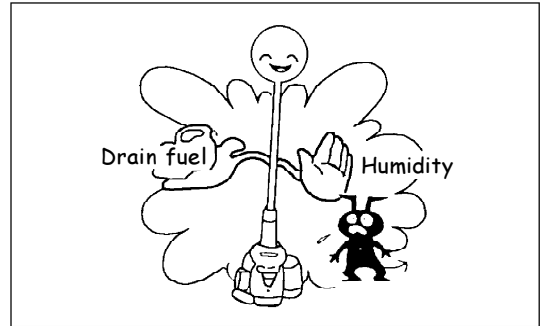
- Check of muffler exhaust port (6) regularly.
- If it is clogged by carbon deposits, carefully scratch the deposits out with a suitable tool.



Any maintenance of adjustment work that is not included and described in this manual is only to be performed by Authorized Service Agents.

STORAGE

- When the machine is in storage for a long time, drain fuel from the fuel tank and carburetor, as follows: Drain all fuel from the fuel tank. Dispose of properly and in accordance with all local laws.
- Remove the spark plug and a few drops of oil into the spark plug hole. Then, pull the starter gently, so that oil covers the engine inside and tighten the spark plug.
- Clear dirt or dust from the cutter blade and outside of engine, wipe them with a oil-immersed cloth and keep the machine in a place as dry as possible.



Maintenance schedule

General	Engine assembly, screws and nuts	Visual inspection for damage and tightness Check for general condition and security
After each refuelling	Control lever I-O switch	Functional check Functional check
Daily	Air filter Cooling air duct Cutting tool Idling speed	To be cleaned To be cleaned Check for damage and sharpness Inspection (cutting tool must not move)
Weekly	Spark plug Muffler	Inspection, replace if necessary Check and if necessary clean the opening
Quarterly	Suction head Fuel tank	To be replaced To be cleaned
Shutting down procedure	Fuel tank Carburetor	Empty fuel tank Operate until engine runs out of fuel

Fault location

Fault	System	Observation	Cause
Engine not starting or with difficulty	Ignition system	Ignition spark O.K.	Fault in fuel supply or compression system, mechanical defect
		No ignition spark	I-O switch operated, wiring fault or short circuit, spark plug or connector defective, ignition module faulty
	Fuel supply	Fuel tank filled	Incorrect choke position, carburetor defective, fuel supply line bent or blocked, fuel dirty.
	Compression	No compression when pulled over	Cylinder bottom gasket defective, crankshaft seals damaged, cylinder or piston rings defective or improper sealing of spark plug
Warm start problems	Mechanical fault	Starter not engaging	Broken starter spring, broken parts inside of the engine
		Tank filled ignition spark existing	Carburetor contaminated, must be cleaned
Engine starts but dies	Fuel supply	Tank filled	Incorrect idling adjustment, carburetor contaminated Fuel tank vent defective, fuel supply line interrupted, cable or I-O switch faulty
Insufficient performance	Several systems may simultaneously be affected	Engine idling poor	Air filter contaminated, carburetor contaminated, muffler clogged, exhaust duct in the cylinder clogged

EMISSON COMPLIANCE PERIOD

For handheld engine : The Emissions

Compliance Period referred to on the Emissions

Compliance label indicates the number of operating hours for which the engine has been shown to meet Federal emission requirements.

Category C=50 hours, B=125 hours, and A=300 hours.

FEDERAL EMISSION COMPONENT DEFECT WARRANTY

EMISSION COMPONENT DEFECT WARRANTY COVERAGE - This emission warranty is applicable in all States, except the State of California

Makita U.S.A., Inc., La Mirada, California, (herein "MAKITA") warrant to the initial retail purchaser and each subsequent owner, that this utility equipment engine (herein "engine") was designed, built, and equipped to conform at the time of initial sale to all applicable regulations of the U.S. Environmental Protection Agency (EPA), and that the engine is free of defects in materials and workmanship which would cause this engine to fail to conform with EPA regulations during its warranty period.

For the components listed under PARTS COVERED, Makita Factory Service Center or service center authorized by MAKITA will, at no cost to you, make the necessary diagnosis, repair, or replacement necessary to ensure that the engine complies with applicable U.S. EPA regulations.

EMISSION COMPONENT DEFECT WARRANTY PERIOD

The warranty period for this engine begins on the date of sale to the initial purchaser and continues for a period of 2 years.

PARTS COVERED

Listed below are the parts covered by the Emission Component Defect Warranty. Some of the parts listed below may require scheduled maintenance and are warranted up to the first scheduled replacement point for that part.

- 1) Fuel Metering System
 - (i) Carburetor and internal parts
 - (ii) Fuel filter, if applicable
 - (iii) Throttle stopper, if applicable
 - (iv) Choke System, if applicable
- 2) Air Induction System
 - (i) Air cleaner plate
 - (ii) Air cleaner case
 - (iii) Air cleaner element

- 3) Ignition System
 - (i) Spark plug
 - (ii) Flywheel Magneto
 - (iii) Ignition Coil
- 4) Miscellaneous Items Used in Above Systems
 - (i) Fuel hoses. clamps and sealing gaskets

OBTAINING WARRANTY SERVICE

To obtain warranty service, take your engine to the nearest Makita Factory Service Center or Service Center authorized by MAKITA. Bring your sales receipts indicating date of purchase for this engine. The dealer or service center authorized by MAKITA will perform the necessary repairs or adjustments within a reasonable amount of time and furnish you with a copy of the repair order. All parts and accessories replaced under this warranty become the property of MAKITA.

WHAT IS NOT COVERED

- * Conditions resulting from tampering, misuse, improper adjustment (unless they were made by the dealer or service center authorized by MAKITA during a warranty repair), alteration, accident, failure to use the recommended fuel and oil, or not performing required maintenance services.
- * The replacement parts used for required maintenance services.
- * Consequential damages such as loss of time, inconvenience, loss of use of the engine or equipment, etc.
- * Diagnosis and inspection charges that do not result in warranty-eligible service being performed.
- * Any non-authorized replacement part, or malfunction of authorized parts due to use of non-authorized parts.

OWNER'S WARRANTY RESPONSIBILITIES

As the engine owner, you are responsible for the performance of the required maintenance listed in your owner's manual, MAKITA recommends that you retain all receipts covering maintenance on your engine, but MAKITA can not deny warranty solely for the lack of receipts or for your failure to ensure the performance of all scheduled maintenance.

As the engine owner, you should however be aware that the MAKITA may deny your warranty coverage if your engine or a part has failed due to abuse, neglect, improper maintenance or unapproved modifications.

You are responsible for presenting your engine to the nearest Makita Factory Service Center or service center authorized by MAKITA when a problem exists.

If you have any questions regarding your warranty rights and responsibilities, you should contact the Makita Warranty Service Department at 1-800-4-MAKITA for the information.

THINGS YOU SHOULD KNOW ABOUT THE EMISSION CONTROL SYSTEM WARRANTY

MAINTENANCE AND REPAIRS

You are responsible for the proper use and maintenance of the engine. You should keep all receipts and maintenance records covering the performance of regular maintenance in the event questions arise. These receipts and maintenance records should be transferred to each subsequent owner of the engine. MAKITA reserves the rights to deny warranty coverage if the engine has not been properly maintained. Warranty claims will not be denied, however, solely because of the lack of required maintenance or failure to keep maintenance records.

MAINTENANCE, REPLACEMENT OR REPAIR OF EMISSION CONTROL DEVICES AND SYSTEMS MAY BE PERFORMED BY ANY REPAIR ESTABLISHMENT OR INDIVIDUAL; HOWEVER, WARRANTY REPAIRS MUST BE PERFORMED BY MAKITA FACTORY SERVICE CENTER OR SERVICE CENTER AUTHORIZED BY MAKITA. THE USE OF PARTS THAT ARE NOT EQUIVALENT IN PERFORMANCE AND DURABILITY TO AUTHORIZED PARTS MAY IMPAIR THE EFFECTIVENESS OF THE EMISSION CONTROL SYSTEM AND MAY HAVE A BEARING ON THE OUTCOME OF WARRANTY CLAIM.

If other than the parts authorized by MAKITA are used for maintenance replacements or for the repair of components affecting emission control, you should assure yourself that such parts are warranted by their manufacturer to be equivalent to the parts authorized by MAKITA in their performance and durability.

HOW TO MAKE A CLAIM

All repairs qualifying under this limited warranty must be performed by Makita Factory Service Center or service center authorized by MAKITA. In the event that any emission-related part is found to be defective during the warranty period, you shall notify Makita Warranty Service Department at 1-800-4-MAKITA and you will be given the appropriate warranty service facilities where the warranty repair can be performed.

Nous vous remercions d'avoir fait l'acquisition de la débroussailleuse / taille-bordures MAKITA. Nous sommes heureux de pouvoir vous conseiller la débroussailleuse / taille-bordures MAKITA qui représente le résultat d'un long programme de développement et de plusieurs années de recherche et d'expérience. Veuillez lire cette brochure qui fait référence en détail aux différents points témoignant de l'efficacité exceptionnelle de votre débroussailleuse MAKITA.



Table des matières	Page
Symboles	23
Consignes de sécurité	24
Caractéristiques techniques	28
Nomenclature des pièces	29
Assemblage du moteur et de l'arbre	30
Montage de la poignée	31
Montage du dispositif de protection	32
Montage de la lame de coupe ou de la tête de coupe à fil	33
Carburants/Ravitaillement	34
Manipulation correcte de la machine	35
Consignes de mise en marche et arrêt de la machine	35
Réaffûtage de l'outil de coupe	36
Instructions relatives aux réparations	38
Remisage	40

SYMBOLS

Vous rencontrerez les symboles suivants en parcourant le manuel d'instructions.

	Lire le manuel d'instructions		Porter des protections visuelles et auditives (pour la taille bordures d'herbe)
	Avertissement/Danger/Précaution		Porter un casque de protection, des protections visuelles et auditives
	Interdit		Ne pas utiliser de lames métalliques (Pour la taille bordures uniquement)
	Maintenir ses distances		Vitesse maximale autorisée de l'outil de coupe
	Risque de projections d'objets		Mélange de carburant et d'huile
	Interdit de fumer		Démarrage manuel de la machine
	Flammes vives interdites		Arrêt d'urgence
	Porter des gants de protection		Premier secours
	Rejet		Recyclage
	Maintenir toute personne et tout animal domestique à l'écart de la zone de travail		On/Démarrage
	Porter les chaussures solides munie d'une semelle antidérapante. Il est recommandé de porter les chaussures de travail à pointe de fer.		Off/Arrêt

CONSIGNES DE SÉCURITÉ

Instructions générales

- Pour utiliser la machine correctement, l'utilisateur doit lire ce manuel d'instructions afin de se familiariser avec la manipulation de la débroussailleuse / taille-bordures. Les utilisateurs disposant d'informations insuffisantes risquent de mettre leur propre vie comme celle de tiers en danger en manipulant la machine de façon incorrecte.
- Il est conseillé de prêter la débroussailleuse / taille-bordures uniquement à des personnes ayant fait leurs preuves dans la manipulation de débroussailleuse / taille-bordures. Toujours leur remettre le manuel d'instructions.
- Les premiers utilisateurs devraient demander au concessionnaire de leur dispenser les instructions de base afin de se familiariser à la manipulation de débroussailleuse / taille-bordures thermique.
- Les enfants et les jeunes gens de moins de 18 ans ne sont pas autorisés à utiliser la débroussailleuse / taille-bordures. Cependant, les jeunes gens âgés de plus de 16 ans peuvent utiliser la machine pour s'entraîner, mais uniquement sous la surveillance d'un formateur qualifié.
- Utiliser les débroussailleuse / taille-bordures avec le plus de soin et d'attention possibles.
- Utilisez la débroussailleuse / taille-bordures uniquement si vous êtes en bonne condition physique. Procédez aux travaux avec calme et attention. L'utilisateur est responsable vis à vis des autres personnes.
- Ne jamais utiliser la débroussailleuse / taille-bordures après absorption d'alcool ou de médicaments ou si l'on se sent fatigué ou souffrant.

Utilisation spéciale de la machine

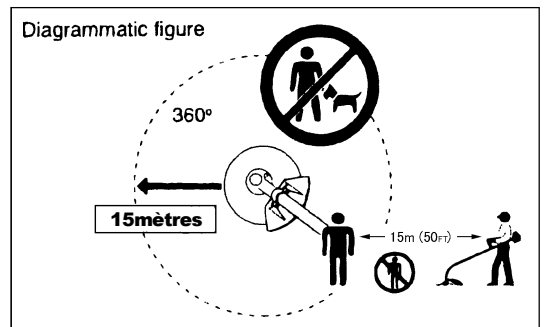
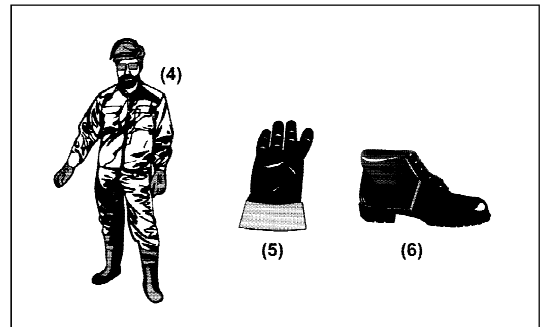
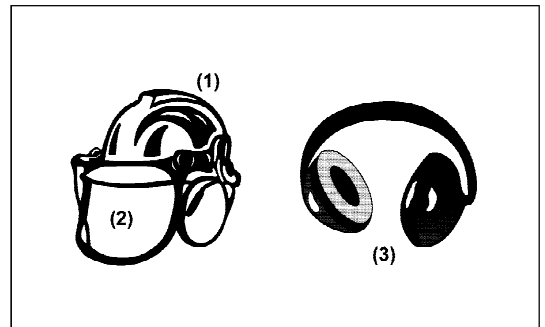
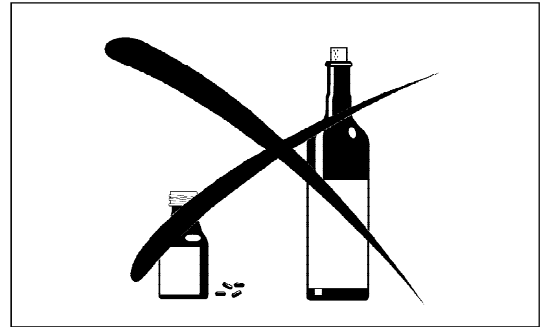
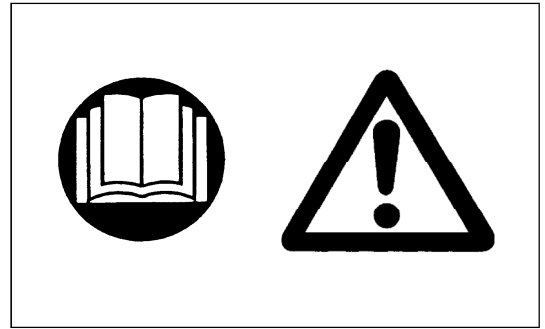
- La débroussailleuse / taille-bordures est seulement pour couper l'herbes, broussailles et en sous-bois. Ne jamais employer la machine pour les usages comprenant tailles de bordure et de haies que pouvaient causer des blessures.

Équipement personnel de protection

- Les habits doivent être fonctionnels et adaptés, c'est-à-dire qu'ils doivent être serrés sans toutefois entraver les mouvements. Ne pas porter de bijoux ou d'habits qui pourraient s'accrocher dans les buissons ou les broussailles.
- Porter l'équipement et les habits de protection lors de l'utilisation de la débroussailleuse / taille-bordures afin d'éviter les blessures au niveau de la tête, des yeux, des mains ou des pieds.
- Toujours porter un casque dans les endroits où les chutes d'objets sont possibles. Vérifier à intervalles réguliers si le casque de protection (1) n'est pas endommagé et le remplacer au plus tard après 5 ans. Utiliser uniquement des casques de protection réglementaires.
- La visière (2) du casque (ou les lunettes) protège le visage des débris et des pierres projetées. Toujours porter des lunettes ou une visière pour éviter les blessures au niveau des yeux lors de l'utilisation de la débroussailleuse / taille-bordures.
- Porter un équipement de protection contre le bruit approprié pour éviter une détérioration de l'ouïe (serre-tête (3), protège-tympans etc.).
- La combinaison de travail (4) protège contre les projections de débris et de pierres. Nous conseillons vivement à l'utilisateur d'en porter une.
- Des gants spéciaux (5) en cuir épais font partie de l'équipement prescrit et doivent être portés en permanence lors de l'utilisation de la débroussailleuse / taille-bordures.
- Lors de l'utilisation de la débroussailleuse / taille-bordures, toujours porter des chaussures de sécurité (6) munies d'une semelle antidérapante. Elles assurent une protection contre les blessures et un bon équilibre.

Démarrage de la débroussailleuse

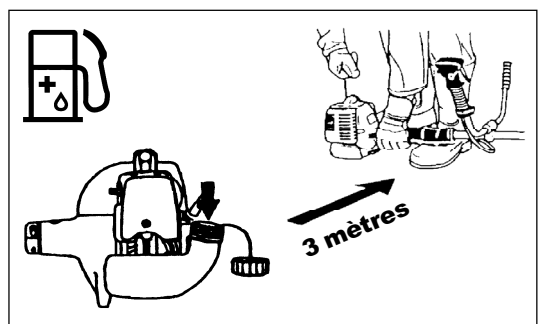
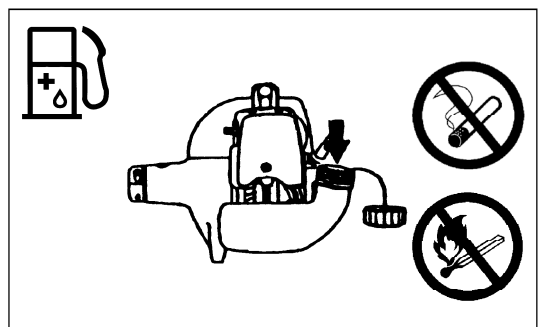
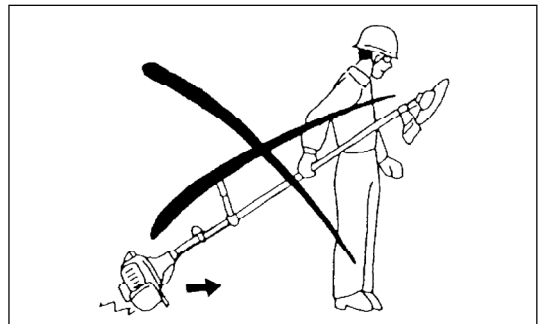
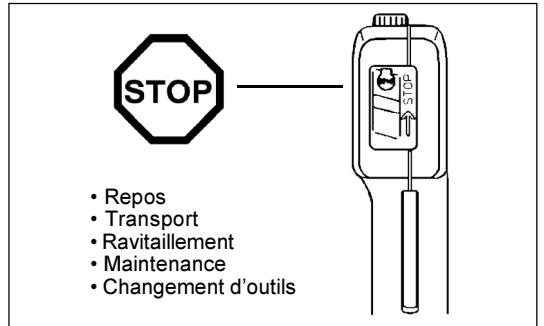
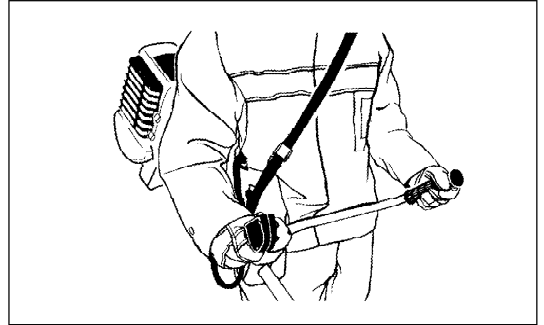
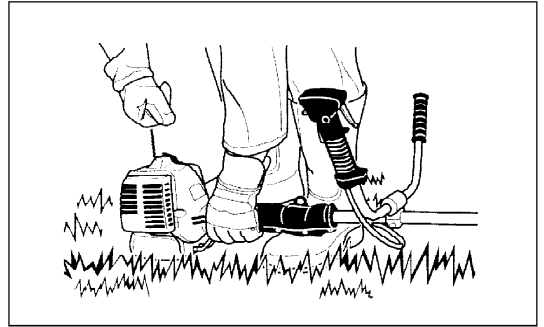
- Veuillez vous assurer de l'absence d'enfants ou d'autres personnes dans un rayon de 15 mètres ainsi que d'animaux à proximité de la zone de travail.
- Avant d'utiliser la machine, toujours vérifier que la débroussailleuse / taille-bordures peut fonctionner en toute sécurité. Vérifier si l'outil de coupe est en bon état, si le levier de commande peut être actionné facilement et si le verrou du levier de commande fonctionne correctement. En cas de doute, consulter son revendeur pour les réglages. Au ralenti la tête de coupe ne doit pas tourner. Vérifier si les poignées sont propres et sèches et tester le fonctionnement de l'interrupteur de marche/arrêt.



- Mettre la débroussailleuse / taille-bordures en marche en appliquant strictement les instructions.
- Ne pas utiliser d'autres méthodes pour mettre la machine en marche!
- Utiliser la débroussailleuse / taille-bordures et les outils uniquement pour les applications conseillées.
- Lancer le moteur de la débroussailleuse / taille-bordures uniquement une fois le montage intégralement réalisé. Il est interdit d'utiliser la machine avant que les accessoires appropriés ne soient montés!
- Avant de mettre la machine en marche, s'assurer que l'outil de coupe n'est pas en contact avec des objets durs tels que des branches ou des pierres car la lame de coupe tournera au démarrage.
- Couper immédiatement le moteur en cas de problèmes.
- Si la lame de coupe devait heurter des pierres ou d'autres objets durs, couper immédiatement le moteur et inspecter la lame de coupe.
- Vérifier à intervalles réguliers que l'outil de coupe n'est pas endommagé (détection de fêlures en sonnant l'outil).
- Utiliser la débroussailleuse / taille-bordures uniquement lorsque le harnais est fixé sur l'épaule; ce harnais doit être ajusté correctement avant de mettre la machine en marche. Le harnais doit être ajusté en fonction de la taille de l'utilisateur afin d'éviter qu'il ne se fatigue. Ne jamais tenir la débroussailleuse / taille-bordures avec une seule main lors du fonctionnement.
- Toujours tenir la débroussailleuse / taille-bordures avec les deux mains lors du fonctionnement. Toujours garantir une bonne stabilité.
- Utiliser la débroussailleuse / taille-bordures de manière à éviter l'inhalation de gaz d'échappement. Ne jamais utiliser la machine dans des espaces clos (risque d'intoxication au gaz). Le monoxyde de carbone est un gaz inodore.
- Coupez le moteur lors des pauses et lorsque vous laissez la débroussailleuse / taille-bordures sans surveillance et la placer dans un lieu sûr afin d'éviter de mettre la vie de tiers en danger ou d'endommager la machine.
- Ne jamais placer la débroussailleuse / taille-bordures encore chaude sur de l'herbe sèche ou sur tout autre matériau combustible.
- L'outil de coupe doit être équipé de la protection appropriée. Ne jamais utiliser la débroussailleuse / taille-bordures sans cette protection!
- Utiliser tous les dispositifs de protection fournis avec la machine.
- Ne jamais lancer la machine si le pot d'échappement est défectueux.
- Couper le moteur lors du transport.
- Toujours utiliser la protection de l'outil incluse dans l'équipement pour le transport sur de longues distances.
- S'assurer du positionnement correct de la débroussailleuse / taille-bordures afin d'éviter des fuites d'huile.
- Vérifier que le réservoir de carburant est complètement vide lors du transport de la débroussailleuse / taille-bordures.
- Lors du déchargement de la débroussailleuse / taille-bordures ne jamais la laisser tomber sur le sol pour éviter des dommages importants sur le réservoir d'essence.
- Sauf cas d'urgence, ne jamais laisser tomber ou lancer la débroussailleuse / taille-bordures sur le sol, cela endommagera débroussailleuse / taille-bordures.
- Ne jamais traîner l'appareil pour le déplacer. Toujours le déplacer en le soulevant par le bas. Si l'appareil traîne sur le sol le réservoir à combustible peut être endommagé, le combustible risque de se renverser et provoquer un début d'incendie.

Ravitaillement

- Couper le moteur durant le ravitaillement, se tenir à l'écart des flammes et ne pas fumer.
- Éviter les contacts cutanés avec des produits à base d'huile minérale. Ne pas respirer des vapeurs de carburant. Toujours porter des gants de protection lors du ravitaillement. Changer et nettoyer les habits de protection à intervalles réguliers.
- Prendre garde à ne pas renverser du carburant ou de l'huile afin d'éviter de polluer le sol (protection de l'environnement). Nettoyer immédiatement la débroussailleuse / taille-bordures après débordement de carburant.
- Évitez tout contact entre le carburant et les habits. Si du carburant a été renversé sur vos habits, changez-en immédiatement pour éviter que les habits ne prennent feu.
- Inspecter le bouchon du réservoir à intervalles réguliers en vérifiant s'il est serré correctement et qu'il n'y a pas de fuite.
- Serrer soigneusement le bouchon du réservoir du carburant. Changer d'endroit pour lancer le moteur (au moins à trois mètres de l'emplacement de ravitaillement).
- Ne jamais procéder au ravitaillement dans des espaces clos. Les vapeurs de carburant s'accumulent au niveau du sol (risque d'explosions).
- Transporter et stocker le carburant uniquement dans des containers réglementaires. S'assurer que le carburant stocké n'est pas accessible aux enfants.



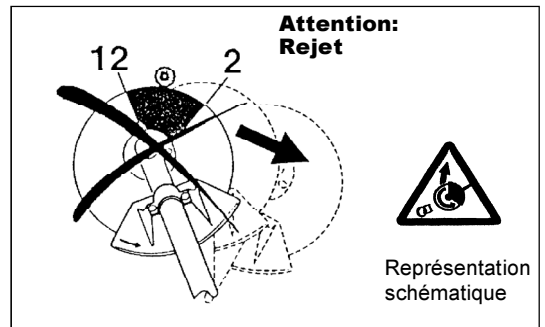
Méthode d'utilisation

- Utiliser la débroussailluse / taille-bordures uniquement lorsque les conditions de luminosité et de visibilité sont bonnes. En hiver, être conscient des risques engendrés par le verglas, les zones humides, la glace et la neige (dérapage). Toujours garantir une bonne stabilité.
- Ne jamais couper au-dessus de la hauteur de la taille.
- Ne jamais se tenir sur une échelle en manipulant la débroussailluse / taille-bordures.
- Ne jamais grimper dans les arbres pour procéder à des travaux de coupe avec la débroussailluse / taille-bordures.
- Ne jamais travailler sur des surfaces instables.
- Retirer le sable, les pierres, les clous etc. trouvés à l'intérieur du rayon d'action. Les particules étrangères risquent d'endommager la lame de coupe et peuvent engendrer des projections dangereuses.
- Attendre que la lame ait atteint sa pleine vitesse de travail avant de commencer à couper.



Rejet

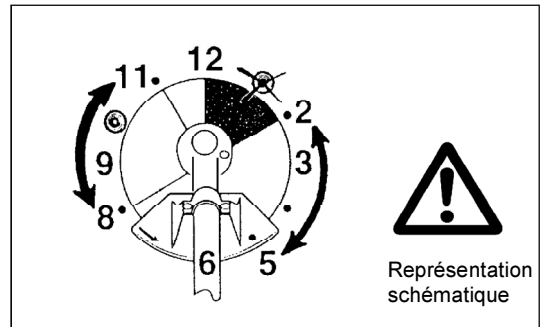
- Un rejet incontrôlé peut se produire lors de l'utilisation de la débroussailluse.
- Ce phénomène se produit en particulier lors de coupes effectuées dans l'angle de lame compris entre midi et 2 h.
- Ne jamais utiliser la débroussailluse dans l'angle de la lame compris entre midi et 2 h.
- Ne jamais utiliser un tel angle de la lame pour la coupe de matériaux solides tels buissons, arbres etc. dont le diamètre est supérieur à 3 cm car la débroussailluse serait alors déviée avec une force importante et pourrait ainsi provoquer des blessures.



Prévention contre le rejet

Observer les points suivants pour éviter les rejets:

- Le mode de fonctionnement "Angle de lame entre midi et 2 h" présente certains risques, en particulier lors de l'utilisation d'outils de coupe métalliques.
- Seuls des utilisateurs formés et expérimentés peuvent procéder à des travaux de coupe avec des angles de lame compris entre 11 et midi ou 2 et 5 h, et ce uniquement à leurs propres risques. Une coupe facile et quasiment exempte de rejets peut s'effectuer à un angle compris entre 8 et 11 h.

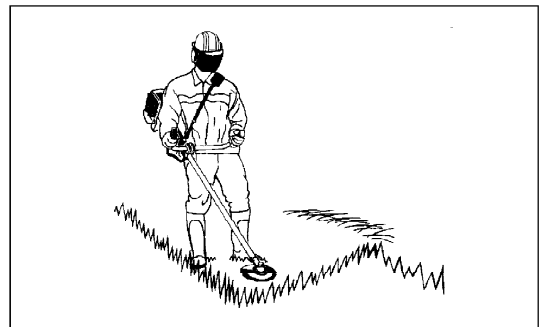


Outils de coupe

Utiliser uniquement les outils de coupe corrects pour procéder aux travaux.

RBC2500 avec lame de coupe (lame Star à 4 dents, lame Eddy à 8 dents),
RBC2510 avec Tête de coupe à fil

Pour couper les matériaux épais, comme les mauvaises herbes, hautes herbes, buissons, arbustes, sous-bois, fourrés, etc. (diamètre maximal de 2 cm). Pour ce genre de travaux, déplacer la débroussailluse en demi-cercles réguliers, de droite à gauche (comme avec une faux).



Instructions de maintenance

- L'état de la débroussailluse, en particulier l'outil de coupe, des appareils de protection ainsi que de la courroie de maintien doivent être vérifiés avant le début des travaux. Attacher particulièrement de l'attention aux lames de coupe qui doivent être affûtées correctement.
- Couper le moteur et retirer le connecteur de la bougie d'allumage lors de montage ou de l'affûtage des outils de coupe et également lors du nettoyage de la débroussailluse ou de l'outil de coupe.

Ne jamais redresser ou souder des outils de coupe endommagés.

- Utiliser la débroussailleuse / taille-bordures à un niveau sonore et polluant aussi faible que possible. Contrôler en particulier si le carburateur est monté correctement.
- Nettoyer la débroussailleuse / taille-bordures à des intervalles réguliers et vérifier que l'ensemble des vis et des écrous soient bien serrés.
- Ne jamais réparer ou remiser la débroussailleuse / taille-bordures à proximité de flammes.
- Toujours remiser la débroussailleuse / taille-bordures dans des pièces fermées à clé et en veillant à ce que le réservoir de carburant soit vide.

Respecter les instructions de prévention contre les accidents établies par les associations commerciales et les compagnies d'assurance habilitées.
Ne procéder à aucune modification sur la débroussailleuse / taille-bordures car elles pourraient mettre votre vie en danger.

L'efficacité des travaux de maintenance et des réparations se limite aux opérations décrites dans le manuel d'instructions.
Tout autre opération doit être effectuée par un agent habilité du service après-vente.

Utiliser uniquement des pièces détachées et des accessoires d'origine commercialisés et fournis par MAKITA.

L'utilisation d'accessoires et d'outils non autorisés peut accroître le risque d'accidents.

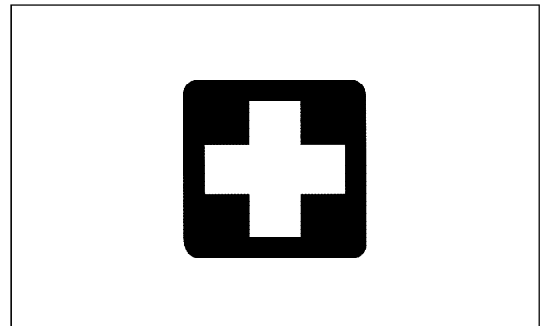
MAKITA décline toute responsabilité pour des accidents ou des dommages survenus à la suite de l'utilisation d'outils de coupe, d'appareils de fixation pour outils de coupe et d'accessoires non autorisés.

Premier secours

Vérifier qu'une boîte de premier secours est toujours disponible à proximité du lieu de travail. Remplacer immédiatement tout article prélevé dans la boîte de premier secours.

Si vous demandez du secours, veuillez indiquer les informations suivantes:

- Lieu de l'accident
- Ce qui se passe
- Le nombre de personnes blessées
- Le type de blessures
- Votre nom



Emballage

La débroussailleuse / taille-bordures MAKITA est livrée dans deux cartons de protection afin d'éviter des endommagements au cours du transport.
Le carton est une matière première réutilisable ou recyclable (recyclage des vieux papiers).

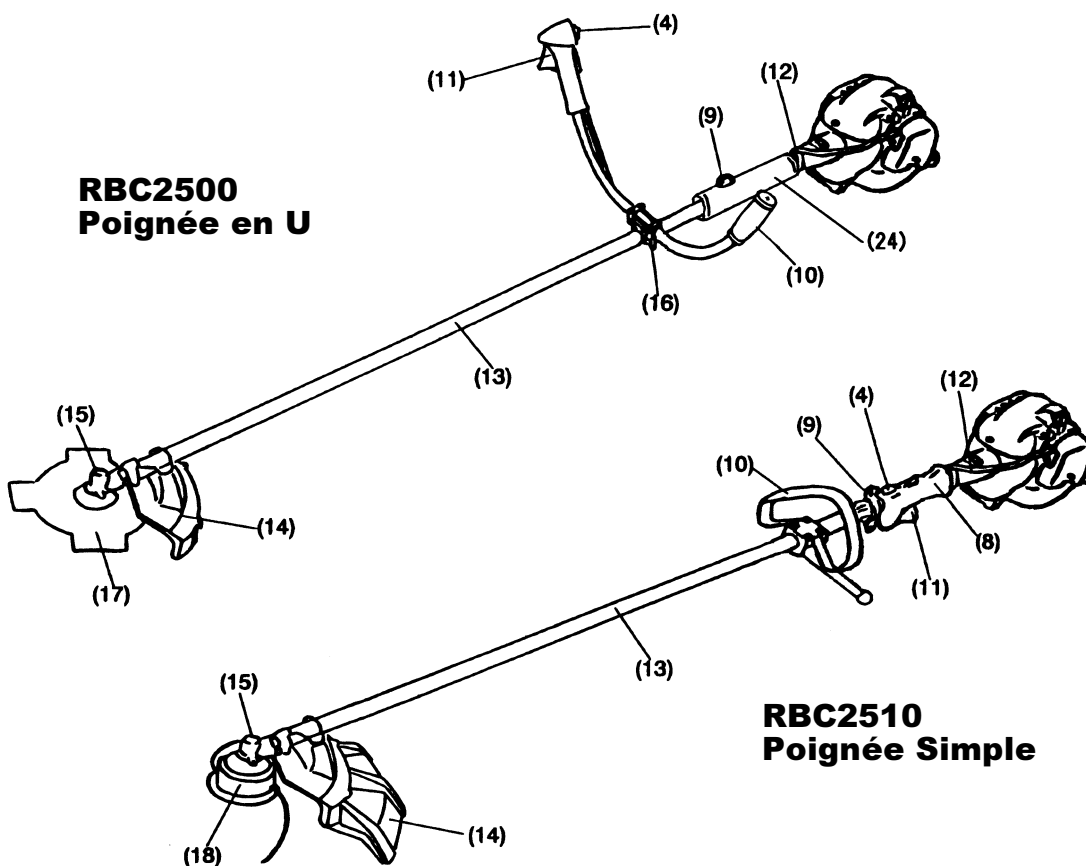


CARACTERISTIQUES TECHNIQUES RBC2500, RBC2510

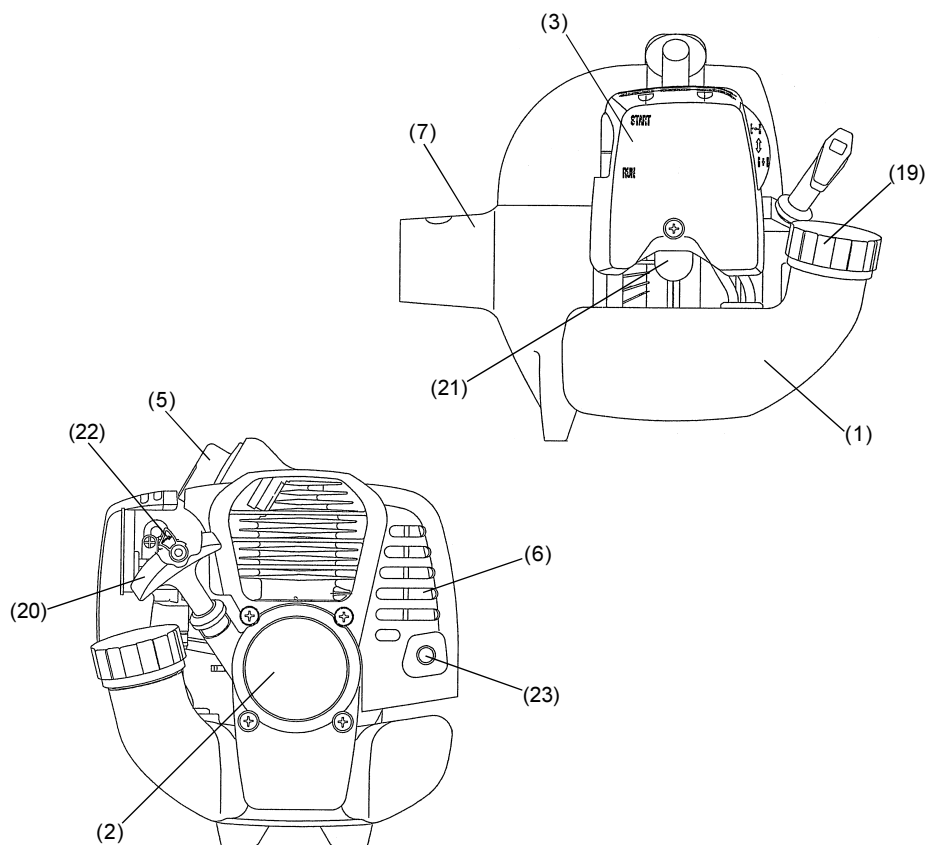
Modèle		RBC2500	RBC2510
		Poignée en U	Poignée Simple
Dimensions: longueur x largeur x hauteur (sans lame de coupe)	mm	1770x620x410	1770x340x220
Masse (sans protection en plastique et lame de coupe)	kg	4.5	4.4
Volume (réservoir de carburant)	L	0.5	
Cylindrée du moteur	cc	24.5	
Puissance maximale du moteur	HP	1.0 at 7000 /min	
Vitesse du moteur à la vitesse max. autorisée pour l'arbre	/min	8800	
Vitesse d'arbre maximale (correspondante)	/min	6000	
Consommation maxi de carburant	kg/h	—	
Consommation spécifique maxi de carburant	g/HPh	—	
Vitesse de rotation au ralenti	/min	2600	
Vitesse d'embrayage	/min	3600	
Carburateur	type	WALBRO WYJ	
Système d'injection	type	Type Allumage électronique	
Bougie d'allumage	type	NGK BM7A	
Jeu électrodes	mm	0.6 - 0.7	
Carburant		Mélange (Benzina : huile d'origine MAKITA pour moteur 2-temps = 50 : 1)	
Rapport d'engrenage		14/19	

NOMENCLATURE DES PIÈCES

RBC2500
Poignée en U



RBC2510
Poignée Simple



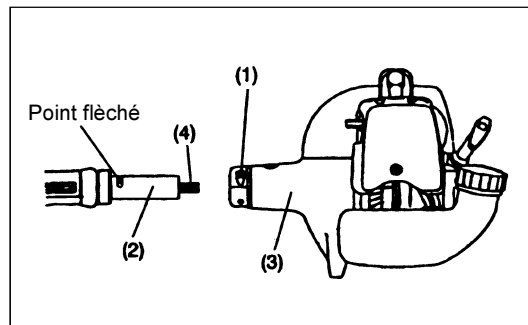
F	Nomenclature des pièces
1	Réservoir de carburant
2	Poulie d'enroulement du câble de démarrage
3	Filtre à air
4	Interrupteur I-O (marche/arrêt)
5	Bougie d'allumage
6	Pot d'échappement
7	Carter d'embrayage
8	Prise arrière
9	Anneau d'accrochage
10	Poignée
11	Levier de commande
12	Câble de commande
13	Arbre
14	Dispositif de protection
15	Carter de boîte de vitesse
16	Support de la poignée
17	Lame de coupe
18	Tête de coupe à fil
19	Bouchon de réservoir carburant
20	Levier d'étranglement
21	Pompe primaire
22	Levier de starter
23	Pot d'échappement
24	Rembouillage de la partie centrale

ASSEMBLAGE DU MOTEUR ET DE L'ARBRE

ATTENTION: Toujours couper le moteur et retirer le connecteur de la bougie d'allumage avant de procéder à tout travail au niveau de la débroussailleuse.
Toujours porter des gants de protection.

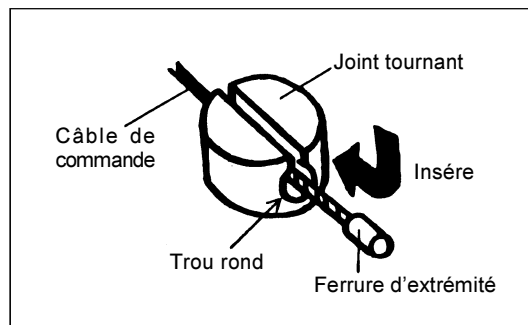
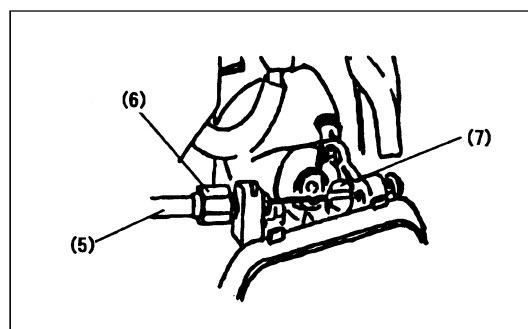
ATTENTION: Mettre la débroussailleuse en marche uniquement après l'avoir assemblée complètement.

- Desserrer les deux boulons (1) et insérer le tuyau principal (2) dans l'embrayage de carter (3).
- Insérer le tuyau principal jusqu'au point fléché. (Se réfère au dessin à la droite.) S'il en est difficile, tourner l'essieu (4) un peu et l'insérer de nouveau.
- Serrer les deux boulons (1) uniformément à droite et à gauche par clé Allen fournie.



Montage du câble de commande

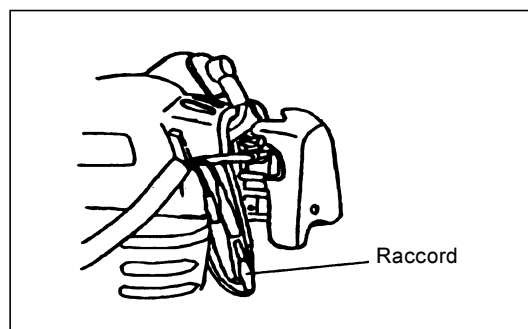
- Enlever le couvercle de l'épurateur d'air.
- Mettre le câble de commande (5) dans le câble de réglage (6). Déposer le joint tournant (7) et mettre le câble dans le joint tournant. A ce moment-là, prendre que le trou rond sur le joint tournant est orienté vers la ferrure à l'extrémité du fil intérieur.
- Lâcher le joint tournant et confirmer que la ferrure du fil intérieur est ajusté dans le trou.
- Monter le couvercle de l'épurateur d'air.



Raccordement de la corde d'interrupteur

Raccorder la corde d'interrupteur avec deux cordes à partir du moteur en insérant l'une dans l'autre.

- Fixer le raccord de corde par bride de serrage.



MONTAGE DE LA POIGNÉE

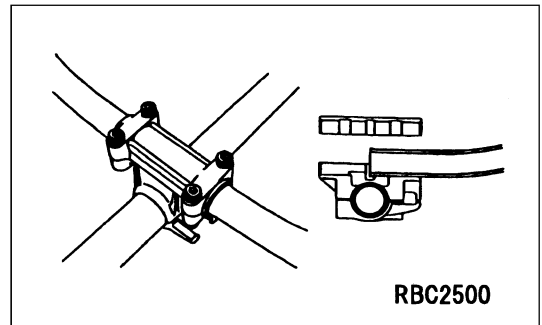
ATTENTION: Toujours couper le moteur et retirer le connecteur de la bougie d'allumage avant de procéder à tout travail au niveau de la débroussailleuse / taille-bordures.
Toujours porter des gants de protection!

ATTENTION: Mettre la débroussailleuse / taille-bordures en marche uniquement après l'avoir assemblée complètement.

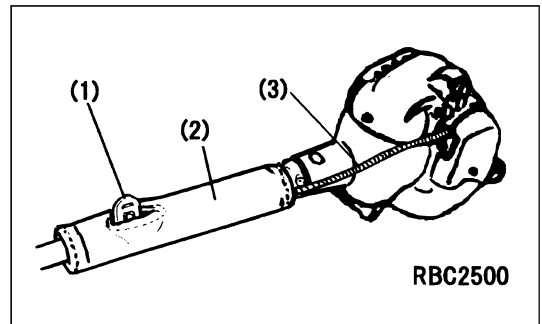


Pour les modèles à poignée en U

- Poser la ferrure de serrage de la poignée afin que la poignée à levier de commande soit positionnée à la droite (côté prise droite) vu du côté moteur, et l'autre poignée sur le côté gauche.
- Ajuster la rainure de la pièce de serrage de la poignée à l'extrémité de la poignée. Fixer provisoirement la ferrure annexe par boulon barillet à six pans fourni.
- Régler la poignée à une position facile à manipuler, et serrer ferme les quatre boulons barillets à six pans uniformément à droite et à gauche au moyen de la clé Allen.

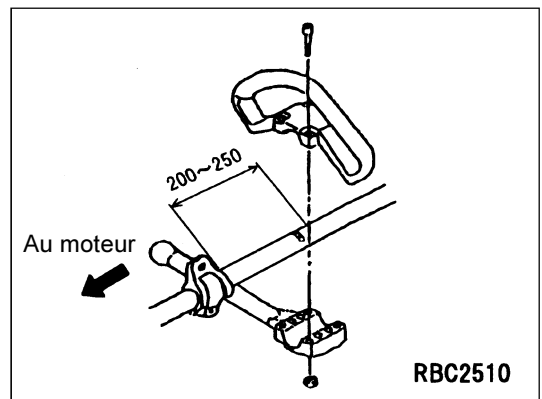


- Envelopper le rembourrage de la partie centrale (2) autour de l'arbre de sorte que l'anneau d'accrochage (1) fasse saillie à travers la fente du rembourrage de la partie centrale; le câble de commande et les câbles (3) seront aussi enveloppés sous le rembourrage de la partie centrale (2).



Pour les modèles à poignée simple

- Fixer une barrière sur le côté gauche de la débroussailleuse avec la poignée pour la sécurité de l'utilisateur.
- Ne pas approcher la poignée simple à la poignée de commande.
- La position standard de la poignée est de 200mm à 250mm à partir de l'anneau d'accrochage .



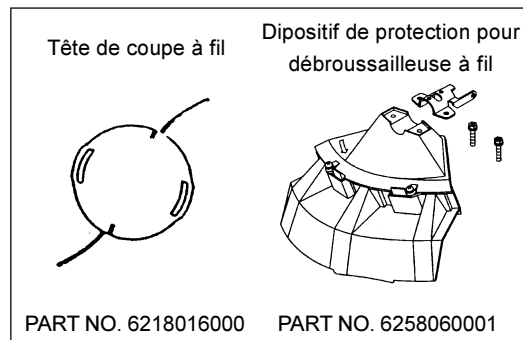
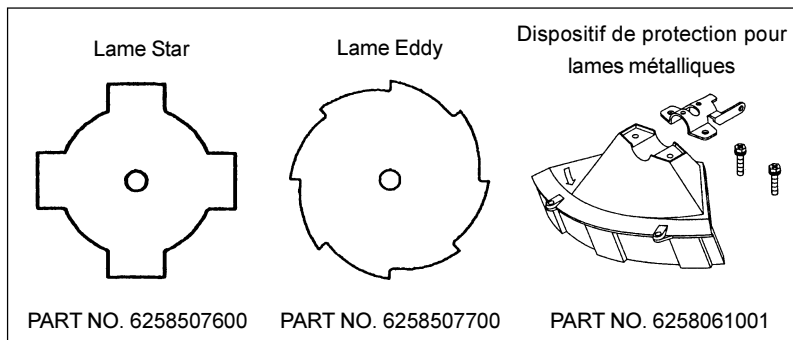
MONTAGE DU DISPOSITIF DE PROTECTION

Utiliser uniquement les combinaisons outil/dispositif de protection mentionnées dans le tableau pour respecter les prescriptions de sécurité demandées.



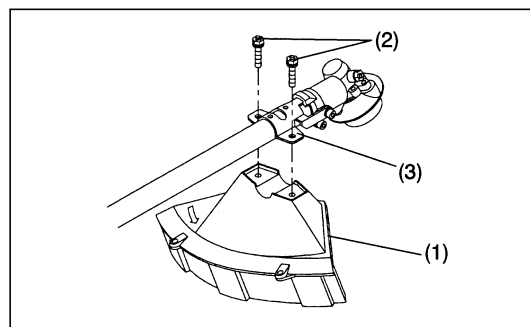
Utiliser seulement une lame de coupe ou une tête de coupe à fil MAKITA.

- La lame de coupe doit être bien affûtée, exempte de fissures ou de cassures. Si la lame de coupe heurte une pierre au cours du fonctionnement, couper le moteur et vérifier immédiatement la lame.
- Affûter ou remplacer la lame de coupe toutes les trois heures de fonctionnement.
- Si la tête de coupe à fil heurte une pierre au cours du fonctionnement, couper le moteur et vérifier immédiatement la lame.

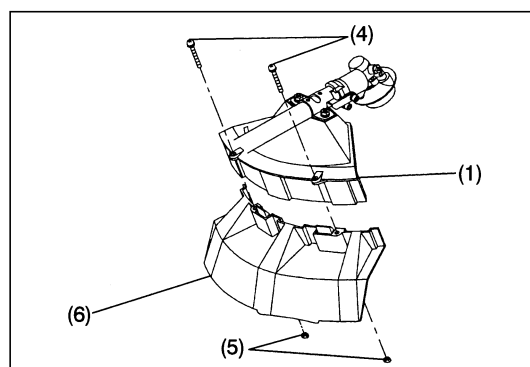


ATTENTION: Le dispositif de protection approprié doit toujours être monté pour garantir votre propre sécurité et pour répondre aux lois relatives à la prévention contre les accidents. Il est interdit d'utiliser l'équipement si la protection n'est pas en place.

- Fixer le dispositif de protection (1) sur le collier de serrage (3) au moyen de deux boulons M6 x 30 (2).



- Lors d'employer la tête de coupe à fil, ajuster le protecteur (6) au protecteur (1), et les serrer avec deux écrous (5) et deux vis (4).

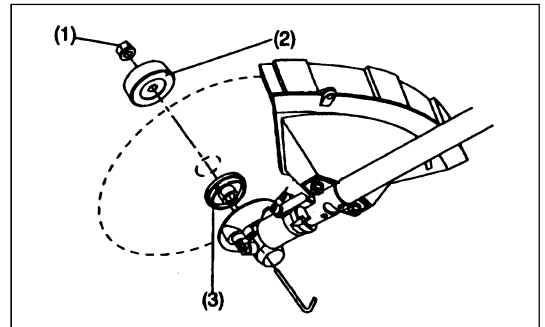


MONTAGE DE LA LAME DE COUPE OU DE LA TÊTE DE COUPE À FIL

Retourner la machine afin de pouvoir remplacer facilement la lame de coupe ou la tête de coupe.



- Insérer la clé hexagonale dans le trou du carter de la boîte de vitesse et faire effectuer une rotation à la rondelle d'accouplement (3) jusqu'à ce qu'elle soit verrouillée au moyen de la clé hexagonale.
- Desserrer l'écrou (1) (filetage à gauche) au moyen de la clé à tube puis retirer l'écrou (1) et la rondelle de serrage (2).



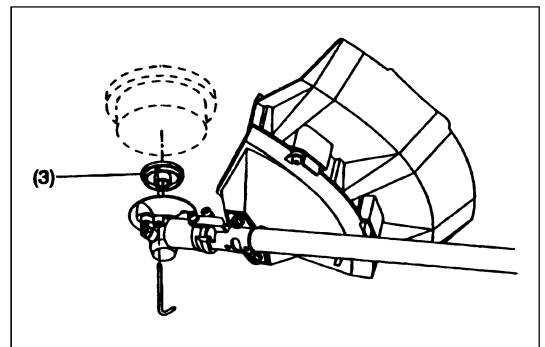
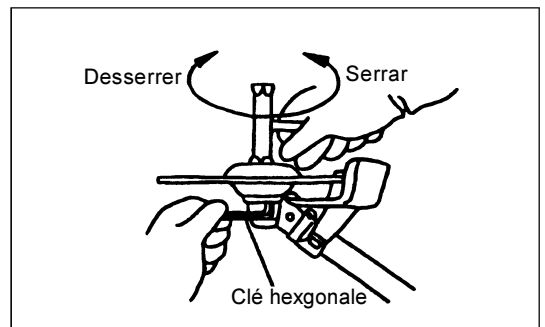
La clé hexagonale étant toujours en place.

- Monter la lame de la clé hexagonale étant toujours en place coupe sur l'arbre de sorte que la rainure de la rondelle d'accouplement (3) s'adapte sur le trou de la lame de coupe. Monter la rondelle de serrage (2) et bloquer la lame de coupe au moyen de l'écrou (1).
- (Couple de serrage: 13-23 N·m)

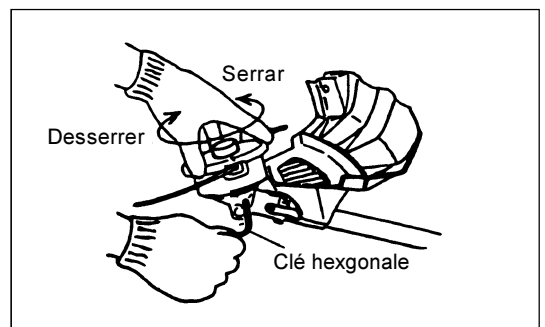
REMARQUE: Toujours porter des gants lors de la manipulation de la lame de coupe.

REMARQUE: L'écrou de serrage de la lame de coupe (avec rondelle à ressort) est une pièce consommable. S'il y a aucune usure ou déformation sur la rondelle à ressort, remplacer la rondelle.

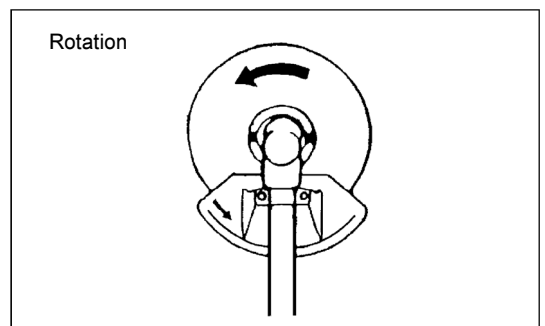
REMARQUE: La rondelle de serrage (2) et l'écrou (1) ne sont pas indispensables pour le montage de la tête de coupe à fil. La tête de coupe à fil doit venir se placer sur la rondelle d'accouplement (3).



- Visser la tête de coupe sur l'arbre.



- S'assurer que le côté droit de la lame est bien tourné vers le haut.





Manipulation du carburant:

La manipulation du carburant exige un soin extrême. Le carburant peut contenir des substances similaires aux solvants. Procéder au ravitaillement dans une pièce bien aérée ou à l'extérieur. Ne pas respirer de vapeurs de carburant, éviter tout contact cutané avec le carburant ou l'huile. Les produits à base d'huile minérale assèchent la peau. Si la peau entre en contact avec ces substances à plusieurs reprises et pendant une durée prolongée, elle se desséchera. Il peut en résulter diverses maladies de peau. De plus, ces produits sont connus pour entraîner des réactions allergiques. Les yeux peuvent être irrités par contact avec l'huile. Si de l'huile entre en contact avec ses yeux, les rincer immédiatement avec de l'eau claire. S'ils restent irrités, consulter immédiatement un docteur!



Respecter les consignes de sécurité de la page 25 !

Mélange d'huile et de carburant:


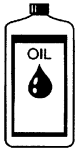
Le moteur de la débroussailluse est un moteur 2 temps à rendement élevé. Il est alimenté par un mélange de carburant et d'huile pour moteur deux temps. Le moteur est conçu pour fonctionner avec un carburant sans plomb classique présentant un indice d'octane min de 91 RON. Si un tel carburant n'est pas disponible, il est possible d'utiliser un carburant dont l'indice d'octane est supérieur. Ceci ne perturbera pas le moteur mais peut réduire l'efficacité de fonctionnement. Il en serait de même en cas d'utilisation de carburant au plomb. Utiliser uniquement du carburant sans plomb pour obtenir une efficacité maximale du moteur et pour protéger sa santé et l'environnement!

FAjouter une huile pour moteur 2 temps (degré de qualité: TC-3) au carburant pour lubrifier le moteur. Le moteur a été conçu pour fonctionner avec une huile spécifiée pour moteur 2 temps dans un rapport de mélange de seulement 50:1 afin de protéger l'environnement. De plus, ceci garantit une longévité importante et un fonctionnement fiable avec un minimum d'émissions de gaz d'échappement. Il est absolument essentiel de respecter un rapport de mélange de 50:1 (huile spécifiée pour moteur 2 temps) afin de garantir le fonctionnement fiable de la débroussailluse.

Rapport de mélange correct:

Benzina : Huile d'origine spécifiée pour moteur 2 temps = 50 : 1 ou
Benzina : Huile d'autres fabricants pour moteur deux temps = 25 : 1
recommande

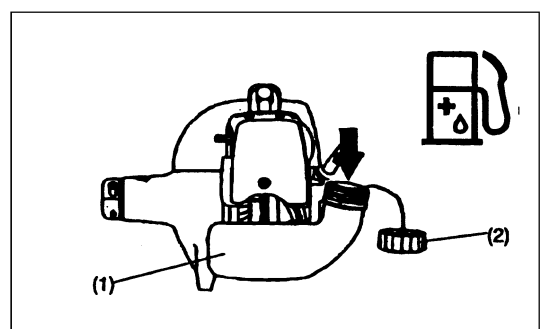
REMARQUE: Pour préparer le mélange carburant-huile, mélanger la quantité totale d'huile avec la moitié du carburant requis puis ajouter le carburant résiduel. Secouer soigneusement le mélange avant de l'introduire dans le réservoir de la débroussailluse. Il n'est pas sage d'ajouter plus d'huile pour moteur que les proportions prescrites pour garantir un fonctionnement en toute sécurité. Ceci se traduirait uniquement par une production accrue de résidus après la combustion; ces résidus polluent l'environnement et bouchent le tuyau d'échappement dans le cylindre et dans le pot. De plus, la consommation de carburant augmenterait alors que l'efficacité diminuerait.

Benzina	+	50:1	25:1
			
1000 mL (1 L)		20 mL	40 mL
5000 mL (5 L)		100 mL	200 mL
10000 mL (10 L)		200 mL	400 mL

Ravitaillement

Le moteur doit être coupé!

- Nettoyer soigneusement la zone entourant le bouchon de remplissage de carburant (2) afin d'empêcher que la saleté ne s'introduise dans le réservoir de carburant (1).
- Dévisser le bouchon de remplissage de carburant (2) et remplir le réservoir de carburant.
- Revisser fermement le bouchon de remplissage de carburant (2).
- Nettoyer le bouchon de remplissage de carburant fileté (2) et le réservoir après le ravitaillement!



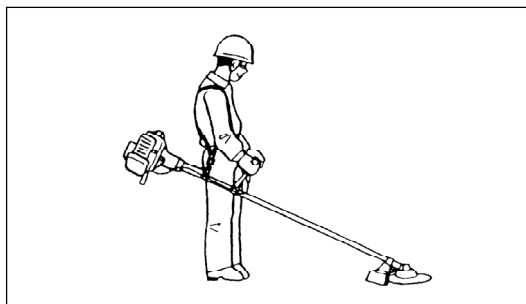
Stockage du carburant:

Le carburant ne peut pas être stocké pendant une durée illimitée. Acheter uniquement la quantité requise pour une durée de 4 semaines d'utilisation. Utiliser uniquement des containers de stockage de carburant réglementaires.

MANIPULATION CORRECTE DE LA MACHINE

Fixation du harnais:

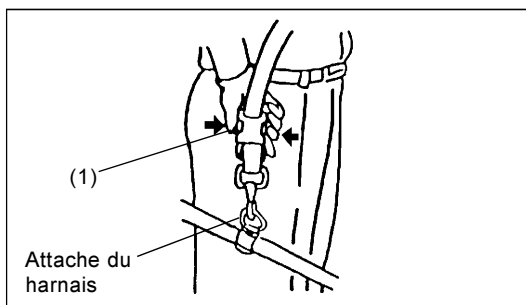
- Ajuster la longueur du harnais de sorte que la lame du coupe ou la tête de coupe reste parallèle au sol.



Retrait

- En cas d'urgence, pousser les encoches (1) aux deux extrémités et retirer alors la machine.
- Etre extrêmement prudent pour garder le contrôle de la machine lors de cette opération. Ne pas laisser la machine dévier dans votre direction ou vers toute autre personne se trouvant à proximité de la zone de travail.

AVERTISSEMENT: La non-observation de cette précaution peut se traduire par de blessures corporelles graves ou la MORT.



CONSIGNES DE MISE EN MARCHÉ ET ARRÊT DE LA MACHINE

Respecter les lois applicables en matière de prévention contre les accidents!



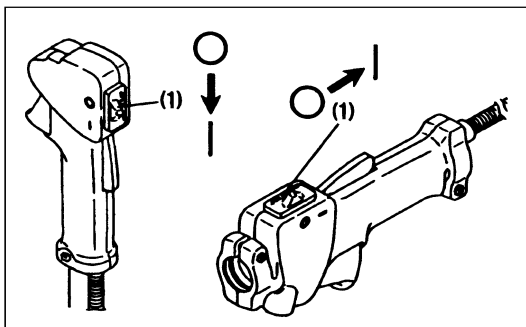
Démarrage

Déplacer la machine à trois mètres au moins du lieu de ravitaillement. Placer la débroussailluse / taille-bordures sur une zone propre en veillant à ce que l'outil de coupe n'entre pas en contact avec le sol ou tout autre objet.

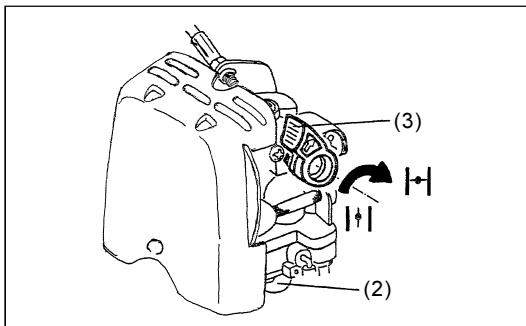
Démarrage à froid

Pour les machines à poignée en U ou en Boucle

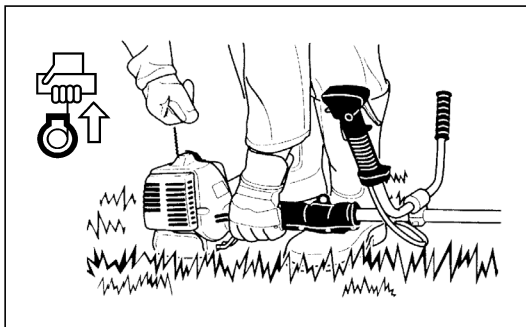
- Pousser l'interrupteur I-O(1) dans la direction indiquée par la flèche.



- Commencer par poser la machine sur le sol.
- Appuyer légèrement sur la pompe primaire (2) à plusieurs reprises (7-10 fois) jusqu'à ce que le carburant arrive à la pompe primaire.
- Déplacer le levier de starter (3) sur la position "↔".



- Maintenir fermement le carter d'embrayage avec la main gauche comme sur la figure.
- Tirer lentement la poignée de démarrage jusqu'à sentir une résistance et continuer en exerçant une faible traction.
- Ne pas tirer complètement la câble de démarrage et ne pas laisser la poignée de démarrage revenir de façon incontrôlée mais s'assurer qu'elle revienne lentement.
- Répéter l'étape de démarrage jusqu'à entendre les premiers allumages.
- Une fois le moteur mis en marche, remettez le levier de starter sur la position "↕". Si vous actionnez le levier d'étranglement et ouvrez l'étrangleur, le levier de starter se met automatiquement sur la position "↕".



- Faire fonctionner le moteur pendant une minute environ à une vitesse modérée avant d'ouvrir complètement le papillon.

Attention: -Si vous actionnez la manette de démarrage à plusieurs reprises alors que le levier de starter est sur la position "I", le moteur ne démarrera pas facilement à cause d'une admission excessive du carburant.

-Si le moteur est noyé, dévissez la bougie, puis tirez légèrement plusieurs fois sur le levier de starter, et retirez le carburant en trop. Ou bien, séchez l'électrode de la bougie.

Consignes de sécurité lors du fonctionnement:

Si le manette des gaz est complètement ouvert lors d'un fonctionnement sans charge, le régime du moteur augmente jusqu'à 10000 /min ou plus. Ne jamais utiliser le moteur à une vitesse supérieure à la vitesse requise et respecter une vitesse approximative de 6000 – 8000 /min.

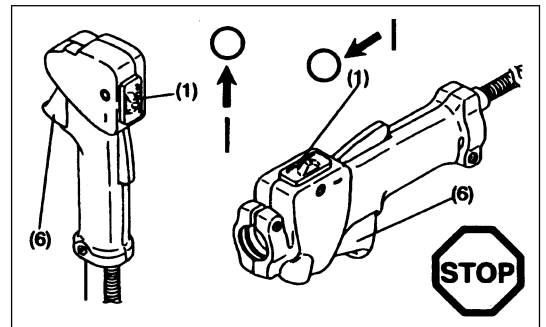
Démarrage à chaud du moteur

- Voir ci-dessus à l'exception de l'emplacement du levier d'étranglement (le levier de starter reste en position basse "I").

Arrêt

- Relâcher complètement le levier de commande (6) et pousser l'interrupteur I-O (1) en position "O" lorsque le régime du moteur s'est abaissé: le moteur s'arrêtera.

- Ouverture totale ou à moitié lors de remise en marche immédiatement après arrêt de la marche.



REGLAGE DE LA MARCHÉ A PETITE VITESSE (AU RALENTI)

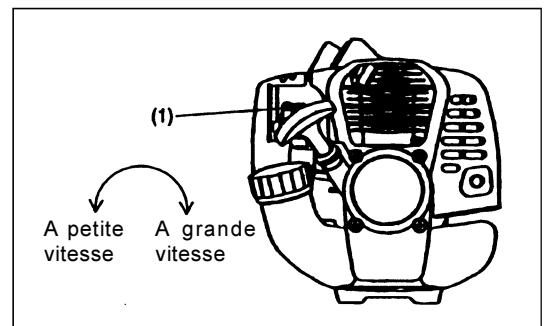
La lame de coupe ou la tête de coupe à fil ne devrait pas être actionnée lorsque le levier de commande est complètement relâché.

Contrôle de la vitesse de marche à vide

- La vitesse de marche à vide devrait être de 2600 /min.

La corriger si nécessaire au moyen de la vis de réglage de ralenti (la lame ou la tête de coupe du câble ne doit pas tourner lorsque le moteur fonctionne en marche à vide).

Le serrage de la vis (1) résultera en une augmentation de la vitesse du moteur alors qu'un desserrage se traduira par une diminution de vitesse.

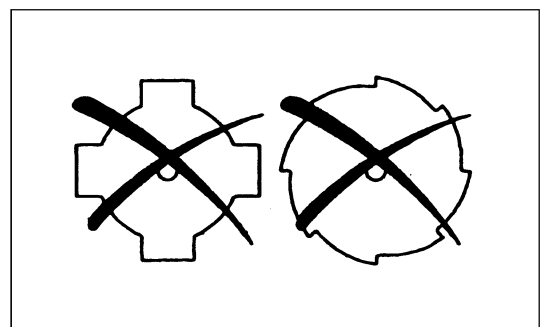


RÉAFFÛTAGE DE L'OUTIL DE COUPE

ATTENTION: Les outils de coupe mentionnés ci-dessous doivent être réaffûtés uniquement par un service habilité. Le réaffûtage manuel se traduirait par des déséquilibres de l'outil de coupe qui entraîneraient des vibrations et endommageraient la machine.

- Lame de coupe (lame Star (4 dents), lame Eddy (8 dents), lame en scie)
Un service de réaffûtage et d'équilibrage est délivré par un agent du service après-vente habilité.

REMARQUE: Pour augmenter la longévité de la lame de coupe (lame Star, lame Eddy, lame en scie), on peut la retourner une fois jusqu'à ce que les deux arêtes de coupe soient émoussées.



Tête de coupe à fil en nylon

La tête de coupe à fil en nylon est une tête à double fil capable d'assurer automatiquement les opérations de sélection de longueur de fil.
La tête de coupe à fil en nylon délivre automatiquement la longueur appropriée de fil en fonction des variations de la force centrifuge générées par l'augmentation ou la diminution du régime. De plus, il est possible, en cognant la tête de coupe à fil en nylon contre le sol de fournir une longueur de fil supplémentaire comme indiqué dans la partie Fonctionnement afin de couper l'herbe molle de manière plus efficace.

Fonctionnement

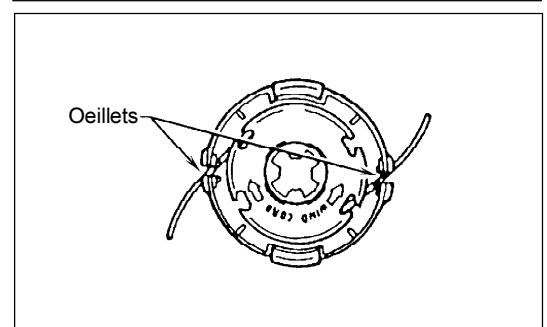
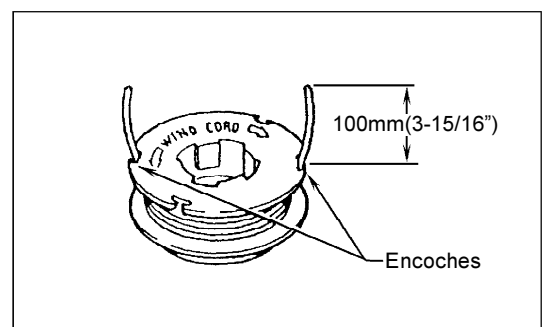
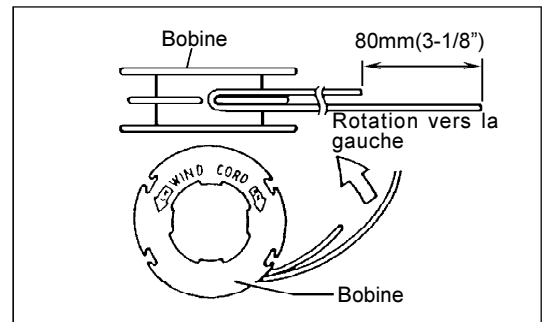
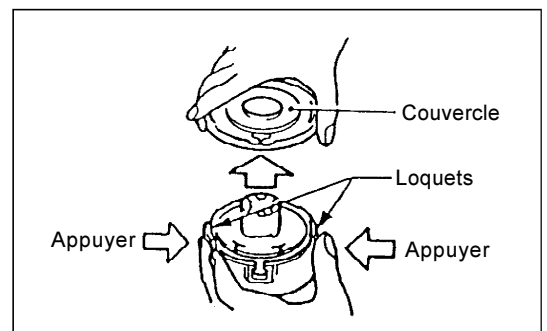
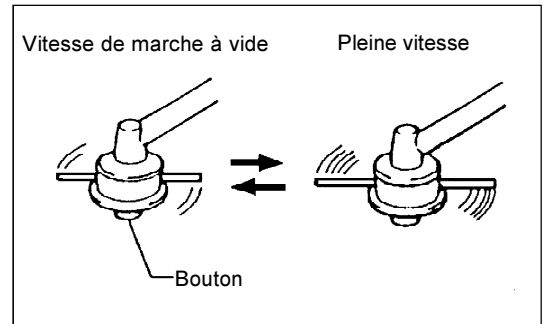
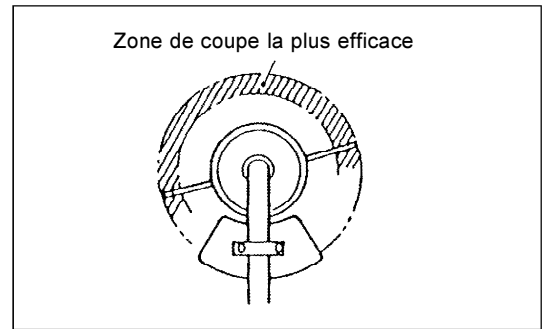
- Augmenter la vitesse de la tête de coupe à fil en nylon jusqu'à env. 6000 /min.
La vitesse faible (4800 /min) n'est pas appropriée car le fil ne peut pas sortir correctement.
- Le domaine de coupe le plus efficace est visualisé par la zone hachurée.

Si le fil ne se déroule pas automatiquement procéder de la manière suivante:

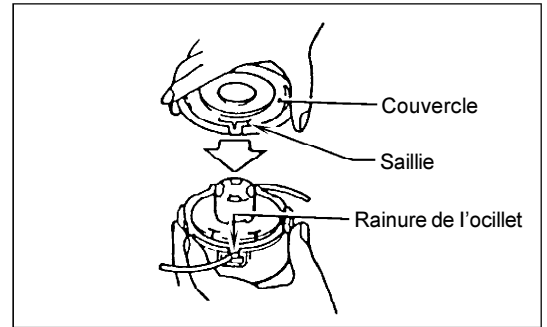
1. Relâcher le levier de commande pour faire fonctionner le moteur en marche à vide puis abaisser complètement le levier de commande. Répéter cette procédure jusqu'à ce que le fil en nylon se déroule à la longueur correcte.
2. Si le fil en nylon est trop court pour se dérouler automatiquement selon la procédure ci-dessus, cogner le bouton de la tête de cordon contre le sol afin de dérouler le fil en nylon.
3. Si le fil en nylon ne se déroule pas selon la procédure 2, rembobiner/ remplacer le fil en nylon en suivant les procédures décrites sous la rubrique Remplacement du fil en nylon".

Remplacement du fil en nylon

- Commencer par couper le moteur.
- Appuyer sur les loquets du carter vers l'intérieur pour soulever le couvercle; retirer ensuite la bobine.
- Accrocher le centre du nouveau fil en nylon dans l'encoche située au centre de la bobine, une des extrémités du fil étant plus longue de 80 mm (3-1/8") que l'autre.
Enrouler alors solidement les deux extrémités autour de la bobine dans le sens de rotation de la tête (sens gauche indiqué par GII et sens droit par DII sur le côté de la bobine).
- Enrouler les câbles en laissant une longueur de 100 mm (3-15/16"), les extrémités restant temporairement accrochées à travers une encoche sur le côté de la bobine.
- Monter la bobine dans le carter de sorte que les cannelures et les saillies de la bobine s'adaptent à celles du carter. Maintenir le côté annoté de sorte qu'il soit visible vers le haut. Décrocher alors les extrémités du câble de leur position temporaire et les faire passer à travers les œillets pour sortir du carter.



- Aligner la saillie de la partie inférieure du couvercle sur les rainures des oeillets.
- Pousser alors avec force le couvercle sur le carter afin de le bloquer.



INSTRUCTIONS RELATIVES AUX RÉPARATIONS

INSTRUCTIONS RELATIVES AUX RÉPARATIONS



ATTENTION: Toujours couper le moteur et retirer le capuchon de la bougie d'allumage avant de procéder à tout travail sur la débroussailleuse (voir Contrôle de la bougie d'allumage").
Toujours porter des gants de protection!

ATTENTION: Ne jamais monter ou démonter le démarreur à recul par soi-même, qui pouvait résulter en un accident. Il en est nécessaire de confier à un agent de service après-vente agréé.

Procéder aux réparations suivantes à intervalles réguliers pour assurer une longévité importante et pour éviter tout endommagement de l'équipement.

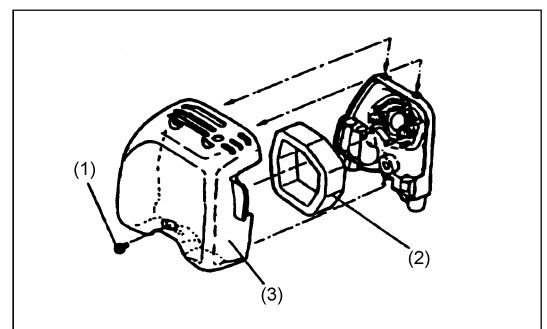
Contrôle et opérations de maintenance réguliers

- Vérifier si les vis sont serrées et si l'ensemble des pièces est en place avant d'utiliser la machine. Prêter particulièrement attention à la fixation de la lame de coupe ou de la tête de coupe.
- Toujours vérifier si le canal et les ailettes de refroidissement du cylindre sont débouchés avant d'utiliser la machine. Les nettoyer si nécessaire.
- Procéder quotidiennement aux opérations suivantes après utilisation:
 - Nettoyer l'extérieur de la débroussailleuse et vérifier si elle est endommagée.
 - Nettoyer le filtre à air. Nettoyer le filtre plusieurs fois par jour si les conditions de travail sont extrêmement poussiéreuses.
 - Vérifier si la lame ou la tête de coupe est endommagée et s'assurer qu'elle est montée solidement.
 - Vérifier que la différence entre la vitesse de ralenti et la vitesse de conduite est suffisante afin de s'assurer que la lame de coupe est au repos lorsque le moteur fonctionne ralenti (réduire la vitesse de ralenti si nécessaire).
- Si l'outil devait continuer à fonctionner dans des conditions de ralenti, consulter l'agent du service après-vente habilité le plus proche.
- Vérifier le fonctionnement de l'interrupteur I-O, le levier de déverrouillage, le levier de commande et le bouton de verrouillage.

Nettoyage du filtre à air

- Desserrer la vis (1).
- Retirer le couvercle du filtre à air (3).
- Sortir l'élément spongieux (2), le laver dans de l'eau tiède et le sécher complètement.
- Après le nettoyage, remettre le couvercle du filtre à air (3) et le fixer à l'aide de la vis (1).

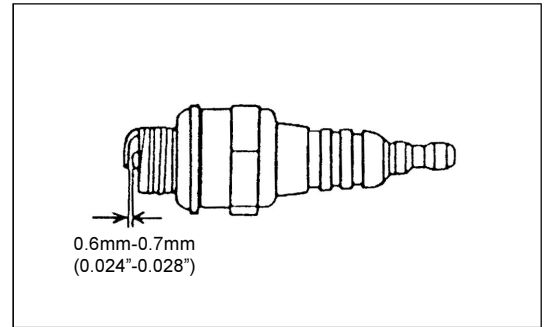
REMARQUE: Si la poussière et la saleté adhérant au filtre à air sont excessives, le nettoyer tous les jours. Un filtre à air bouché peut rendre le démarrage du moteur ou l'augmentation de la vitesse de rotation du moteur difficile ou impossible.



Contôle de la bougie d'allumage

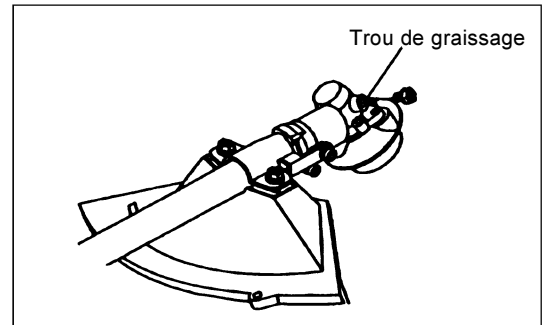
- Utiliser uniquement la clé universelle fournie pour retirer ou monter la bougie d'allumage.
- L'espacement entre les deux électrodes de la bougie d'allumage devrait être de 0,6 - 0,7mm (0,024" - 0,028"). Si l'espacement est trop large ou trop étroit, le régler. Si la bougie d'allumage est bouchée avec de la calamine ou encrassée, la nettoyer soigneusement ou la remplacer.

ATTENTION: Ne jamais toucher le connecteur de la bougie d'allumage lorsque le moteur tourne (risque d'électrocution haute tension).



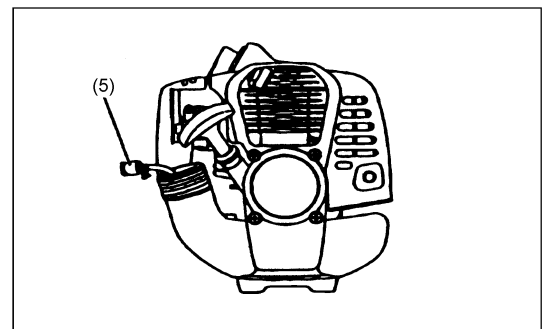
Graissage du carter de la boîte de vitesse

- Alimenter le carter de la boîte de vitesse en graisse (Shell Alvania 3 ou équivalent) à travers le trou de graissage toutes les 30 heures.



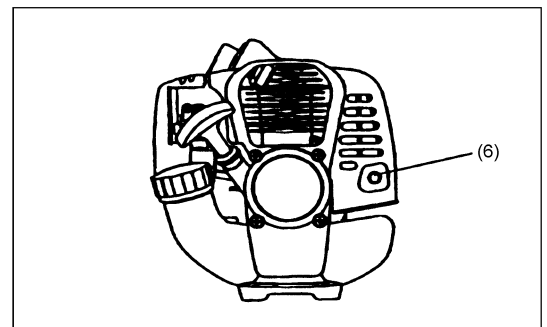
Tête d'aspiration dans le réservoir de carburant

- Le filtre en feutre (5) de la tête d'aspiration est utilisé pour filtrer le carburant requis par le carburateur.
- Procéder à une inspection visuelle périodique du filtre en feutre. Ouvrir le bouchon du réservoir à cet effet, utiliser un crochet et retirer la tête d'aspiration à travers l'ouverture du réservoir. Remplacer les filtres durcis, pollués ou bouchés.
- Une alimentation en carburant insuffisante peut empêcher le moteur d'atteindre sa vitesse de fonctionnement optimale. Il est donc important de remplacer le filtre en feutre au moins tous les 4 mois afin d'assurer une alimentation en carburant satisfaisante du carburateur.



Nettoyage de l'orifice du pot d'échappement

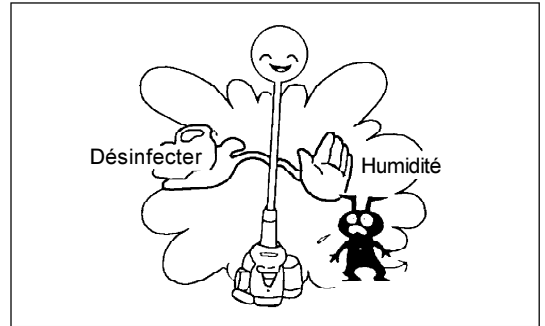
- Contrôler régulièrement l'orifice du pot d'échappement (6).
- S'il est bouché par des dépôts de charbon, enlever soigneusement les dépôts en les grattant avec un outil correct.



Toute opération de maintenance ou de réglage qui n'est pas comprise dans ce manuel ou qui n'y a pas été mentionnée doit être uniquement réalisée par un agent du service après-vente habilité.

REMISAGE

- Lorsque la machine est remise pendant une durée importante, évacuer le carburant du réservoir et du carburateur de la manière suivante: évacuer la totalité du carburant du réservoir, s'en débarrasser en respectant les réglementations locales.
- Retirer la bougie d'allumage et ajouter quelques gouttes d'huile dans le trou de la bougie d'allumage. Tirer ensuite doucement le câble de démarrage, vérifier que la pellicule d'huile recouvre le moteur à l'intérieur et remettre la bougie d'allumage.
- Nettoyer la saleté et la poussière accumulée sur la lame de la débroussailleuse et à l'extérieur du moteur, essuyer avec un chiffon imbibé d'huile et remettre la machine dans un lieu aussi sec que possible.



Plan de maintenance

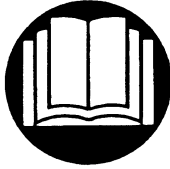
Générale	Assemblage du moteur, des vis et des écrous	Inspection visuelle (endommagement et fixation) Contrôle de l'énéral et de sécurité
Après chaque ravitaillement	Levier de commande Interrupteur I-O	Contrôle de fonctionnement Contrôle de fonctionnement
Quotidienne	Filtre à air Conduit d'air de refroidissement Outil de coupe Vitesse de marche à vide	A nettoyer A nettoyer Contrôle de l'endommagement et de l'affûtage Inspection (la lame decoupe ne doit pas bouger)
Hebdomadaire	Bougie d'allumage Pot d'échappement	Inspection, remplacer si nécessaire Contrôler et nettoyer l'orifice si nécessaire
Semestrielle	Tête d'aspiration Réservoir de carburant	A remplacer A nettoyer
Procédure d'arrêt	Réservoir de carburant Carburateur	Vider le réservoir de carburant Faire fonctionner jusqu'à ce que ce que le moteur soit vidé du carburant

Localisation des défauts

Défaut	Système	Observation	Cause
Pas de démarrage du moteur ou démarrage difficile	Système d'allumage	Étincelle d'allumage présente	Défaut dans l'alimentation en carburant ou dans le système de compression. Défaut mécanique
		Pas d'étincelle d'allumage	Interrupteur I-O actionné, défaut du fil ou court-circuit, bougie d'allumage ou connecteur défectueux, module d'allumage défectueux
	Alimentation en carburant	Réservoir de carburant rempli	Position incorrecte de l'étrangleur, carburateur défectueux, tête d'aspiration sale, tuyau d'alimentation en carburant plié ou en crassé
	Compression	Pas de compression au tirage	Joint d'étanchéité du fond du cylindre défectueux, soudures du carter endommagées, piston ou segments défectueux ou fuite par la fixation de la bougie d'allumage
Problèmes en démarrage à chaud	Défaut mécanique	Câble non enclenché	Ressort du câble cassé, pièces cassées à l'intérieur du moteur
		Réservoir rempli Étincelle d'allumage présente	Carburateur sale, le nettoyer
Le moteur démarre mais est immédiatement noyé	Alimentation en carburant	Réservoir rempli	Réglage de marche à vide incorrect, tête d'aspiration ou carburateur sale Orifice du réservoir de carburant bouché. Tuyau d'alimentation en carburant plié, câble ou interrupteur I-O défectueux
Performances insuffisantes	Plusieurs circuits sont peut-être affectés Simultanément.	Régime de marche à vide médiocre	Filtre à air sale, carburateur sale, conduit d'échappement du cylindre bouché

Muchas gracias por comprar la Desbrozadora/Cortabordes MAKITA. Nos complace recomendarle el uso de la Desbrozadora/Cortabordes MAKITA que es el resultado de un extenso programa de investigación desarrollado tras años de estudio y experiencia.

Por favor lean el folleto que hace referencia con detalle a los diversos puntos que demuestran su excelente funcionamiento. Esto le ayudará a obtener el mejor resultado posible de su Desbrozadora/Cortabordes MAKITA.



Lista de contenidos	Página
Simbolos	41
Instrucciones de seguridad	42
Datos Técnicos	46
Denominación de partes	47
Montaje de motor y eje	48
Montaje del manillar	49
Montaje del protector	50
Montaje de la hoja de corte o cabezal de corte de nylon	51
Combustibles/Reabastecimiento	52
Uso correcto de la máquina	53
Puntos relacionados con el manejo y la parada	53
Afilar la herramienta de corte	54
Instrucciones de Servicio	56
Almacenamiento	58

SIMBOLOS

Ud. Encontrará los siguientes simbolos en la lectura del manual de instrucciones.

	Lea el manual de instrucciones.		Utilizar protector para ojos y oidos (sólo para cortabordes).
	Tome precauciones y atenciones especiales.		Utilizar casco protector, protección para ojos y oidos (sólo para desbrozadora).
	Prohibido.		No utilizar cuchillas metálicas (sólo para cortabordes).
	Mantener distancia de seguridad.		Máxima velocidad de trabajo permitida.
	Peligro: Brozas bjetto volante.		Mezcla de combustible y aceite.
	No fumar.		Encendido manual del motor.
	No acercar llamas.		Paro de emergencia.
	Deben utilizarse guantes protectores.		Primeros auxilios.
	Contragolpe.		Reciclable.
	Mantener el área de operación libre de personas y animales.		ON/encendido
	Llevarse calzado robusto con suela antideslizante. Se recomienda llevar calzado de seguridad con punta de acero.		Off/Apagado

INSTRUCCIONES DE SEGURIDAD

Instrucciones generales

- Para asegurar un funcionamiento correcto, el usuario debe leer este manual de instrucciones para hacerse familiar con el funcionamiento de la Desbrozadora/Cortabordes. Los usuarios que no se informen suficientemente causarán riesgo para ellos mismos y otras personas debido a un funcionamiento inadecuado.
- Se recomienda prestar la Desbrozadora/Cortabordes únicamente a gente que demuestren experiencia en el uso de Desbrozadora/Cortabordes. Siempre entregar el manual de instrucciones.
- Los que utilizan la máquina por vez primera deben preguntar al vendedor las instrucciones básicas para familiarizarse con el manejo de un cortador motorizado.
- No se debe permitir el uso de la Desbrozadora/Cortabordes a niños y personas menores de 18 años. Las personas mayores de 16 años pueden, sin embargo, utilizar la máquina para aprendizaje únicamente, bajo supervisión de un monitor cualificado.
- Utilizar la máquina con el máximo cuidado y atención.
- Manejar la Desbrozadora/Cortabordes sólo si se encuentra en buena condición física. Realizar el trabajo con calma y cuidadosamente. El usuario debe aceptar su responsabilidad con otras personas.
- Nunca utilizar la Desbrozadora/Cortabordes después del consumo de alcohol o drogas o cuando se siente cansado o enfermo.

Uso intentado de la máquina

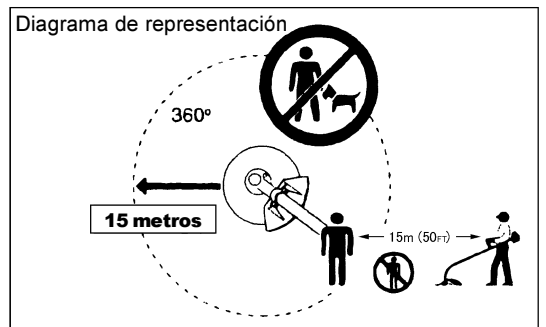
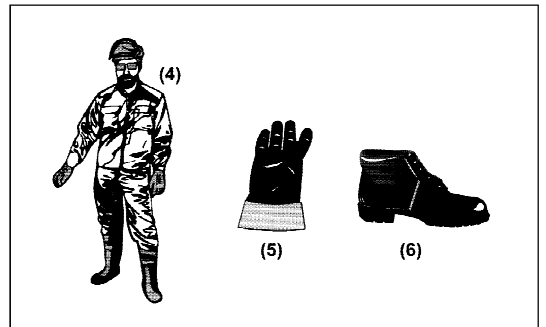
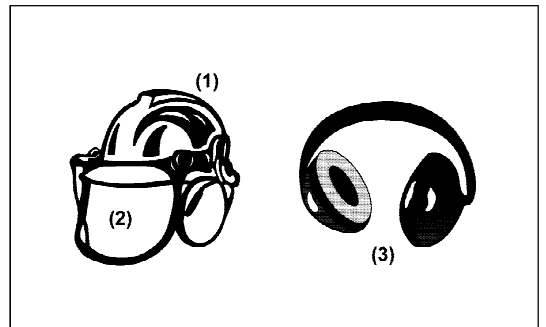
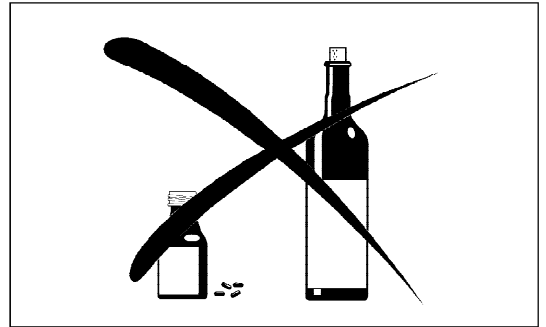
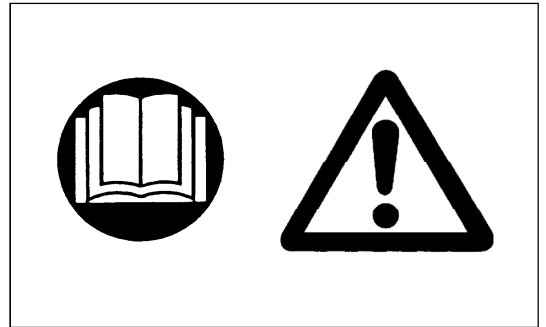
- La Desbrozadora/Cortabordes es intentada únicamente para cortar hierba, maleza, o arbustos. No se debe usar para cualquier otro propósito tales como canteado o cortado de seto ya que esto podría causar daños.

Equipo Personal de Protección

- La ropa utilizada debe ser funcional y adecuada. Por ejemplo, debe quedar ajustada, sin causar estorbo. No llevar joyas o ropa que puede quedar atrapada con matorrales o arbustos.
- Para evitar heridas en cabeza, ojos, manos, o pies, así como para proteger su oído, siguiente equipo y ropa de protección debe usarse durante el uso de la Desbrozadora/Cortabordes.
- Siempre llevar un casco usando se trabaja en el bosque. El casco protector (1) debe comprobarse a intervalos regulares y debe sustituirse como mínimo cada 5 años. Sólo utilizar cascos protectores aprobados.
- El visor (2) del casco (o gafas como alternativa) protegé la cara de astillas y piedras volantes. Durante el uso de la Desbrozadora/Cortabordes siempre llevar gafas o un visor para prevenir heridas en los ojos.
- Llevar un equipo protector del ruido adecuado para evitar daños en el oído (protectores de oídos (3), tapones de oídos etc.).
- Los monos de trabajos (4) protegen contra piedras y astillas volantes. Recomendamos marcadamente que el usuario lleve monos de trabajo.
- Guantes especiales (5) fabricados de cuero grueso son parte del equipo obligatorio y deben llevarse siempre durante el uso de la Desbrozadora/Cortabordes.
- Cuando se utilice la Desbrozadora/Cortabordes. Siempre debe llevarse calzado robusto (6) con suela antideslizante. Esto protegé contra heridas y asegura un caminar seguro.

Puesta en Marcha de la Desbrozadora/Cortabordes

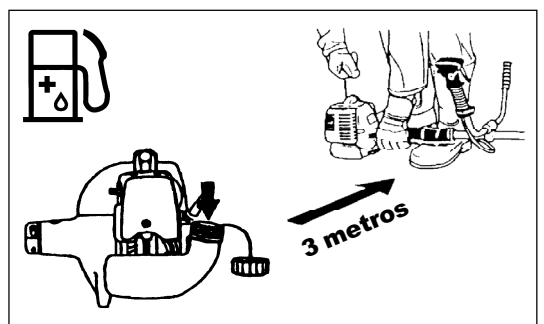
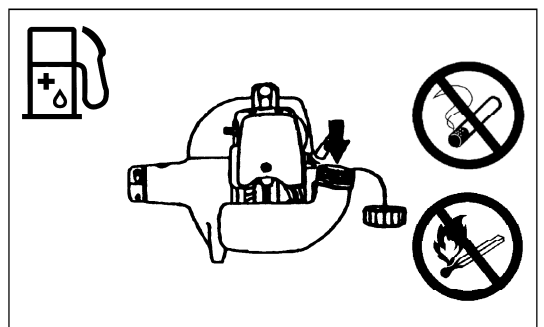
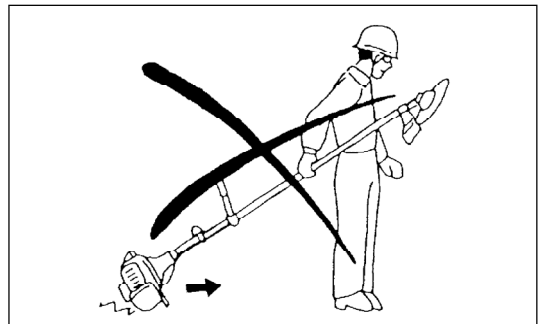
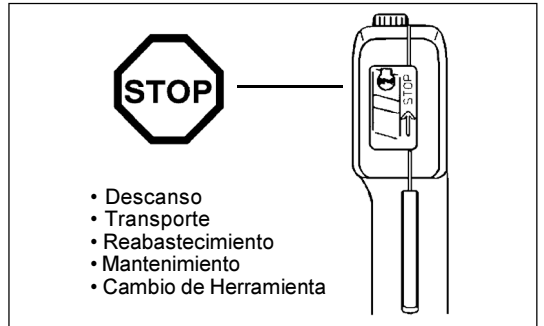
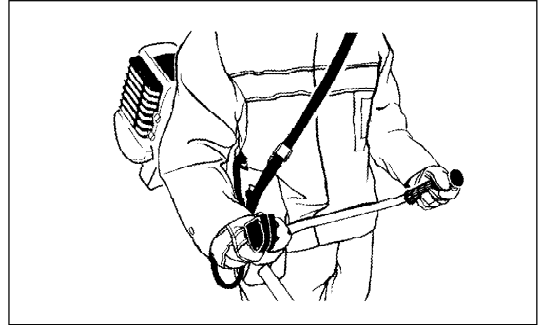
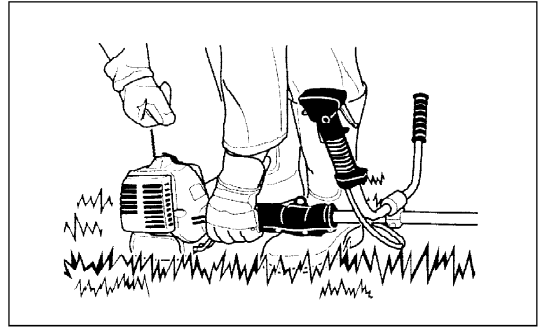
- Asegurarse que no hay niños o otras personas en un área de trabajo de 15 metros; también prestar atención a los animales cercanos al lugar de trabajo.
- Antes del uso, siempre comprobar que la Desbrozadora/Cortabordes está preparado para un funcionamiento seguro. Comprobar la seguridad de la herramienta de corte y de la palanca de control, para un trabajo fácil, y comprobar el funcionamiento adecuado del suguro de la palanca de control. La herramienta de corte no debe girar cuando el motor marche en vacío. Comprobar que los manillares están limpios y secos y la función del interruptor de encendido/apagado.



- Poner en marcha la Desbrozadora/Cortabordes sólo de acuerdo con las instrucciones. No utilizar otro procedimiento para poner en marcha el motor.
- Utilizar la Desbrozadora/Cortabordes las herramientas sólo para las aplicaciones que se especifican.
- Poner en marcha el motor únicamente cuando se ha realizado el ensamblaje completo. Sólo se permite el funcionamiento de la máquina después de colocar todos los accesorios adecuados.
- Antes de la puesta en marcha asegurarse que la herramienta de corte no está en contacto con objetos duros, tales como ramas, piedras, ...
- El motor debe apagarse inmediatamente si hay problemas de motor.
- Si la herramienta de corte tropieza con una piedra o objeto duro, debe apagarse la máquina inmediatamente e inspeccionar la herramienta de corte.
- Inspeccionar la herramienta de corte a intervalos cortos de tiempo (detección de grietas finas mediante el test de ruido de enroscado).
- Utilizar la máquina sólo con la correa para hombro que se incluye, que debe ajustarse adecuadamente antes de que la máquina esté en marcha. Es esencial que se ajuste la correa de acuerdo con la talla del usuario para evitar la fatiga que se produce durante el uso. Nunca sujetar la máquina con una mano durante el uso.
- Durante el uso siempre sujetar la Desbrozadora/Cortabordes con ambas manos. Siempre procurar una posición segura.
- Operar la máquina de forma que se evite la inhalación de los gases de escape. Nunca poner en marcha el motor en habitaciones cerradas (riesgo de envenenamiento por gas). El monóxido de carbono es un gas inodoro.
- Apagar motor cuando se descansa y cuando se deja la máquina sin atender, y colocarla en lugar seguro para prevenir el peligro para otras personas o el daño para la máquina.
- Nunca deje la máquina caliente sobre hierba seca o materiales combustibles.
- Las herramientas de corte deben estar siempre equipadas con un protector adecuado. Nunca manejar la máquina sin este protector.
- Todos los accesorios y equipos de seguridad proporcionados con la máquina deben utilizarse durante el uso.
- Nunca trabajar con el silenciador de escape averiado.
- Apagar el motor durante el transporte.
- Durante transportes de larga distancia debe utilizarse la protección del equipo que se incluye con la máquina.
- Procurar una posición segura de la Desbrozadora/Cortabordes durante el transporte por coche para evitar pérdidas de combustible.
- Cuando se almacena la Desbrozadora/Cortabordes, asegurarse que el tanque de combustible está completamente vacío.
- Cuando se descarga la Desbrozadora/Cortabordes del camión, nunca deje caer el Motor a la tierra, si no, ésto podrá dañar severamente el tanque de combustible.
- Salvo en el caso de emergencia, nunca deje caer o tirar la Desbrozadora/Cortabordes a la tierra, si no, ésto podrá dañar severamente la Desbrozadora/Cortabordes.
- Aparte completamente la unidad de la máquina del suelo sin falta cuando se traslada. Si se traslada restregando el tanque de combustible al suelo, hay un gran peligro de que se rompa el tanque provocando fuga del combustible, y eso pueda causar incendio.

Reabastecimiento

- Apagar el motor durante el reabastecimiento, mantenerse lejos de llamas y no fumar.
- Evitar el contacto de la piel con combustibles minerales. No inhalar vapores de combustibles. Siempre llevar guantes protectores durante el reabastecimiento. Cambiar y limpiar la ropa protectora a intervalos regulares.
- Tomar la precaución de no derramar el combustible o aceite para evitar la contaminación del suelo (protección del medio ambiente). Lavar la Desbrozadora/Cortabordes inmediatamente si se ha derramado combustible.
- Evitar el contacto del combustible con su ropa. Cambiar la ropa al instante si se ha derramado combustible sobre ella (peligro de muerte).
- Inspeccionar el tapón del combustible a intervalos regulares, asegurando que puede cerrar el depósito completamente.
- Apretar con cuidado el tornillo de cierre del tanque de combustible. Cambiar de lugar para encender el motor (por lo menos a 3 metros del lugar de reabastecimiento).
- Nunca llenar el depósito en habitaciones cerradas. Los vapores de combustible se acumulan a nivel del suelo (riesgo de explosiones).
- Sólo transportar y almacenar combustible en contenedores aprobados. Asegurarse que el combustible almacenado permanece fuera del alcance de niños.



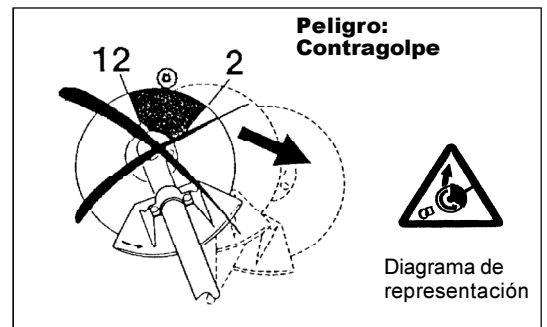
Método de trabajo

- Sólo utilizar la Desbrozadora/Cortabordes en buenas condiciones de luz y visibilidad.
- Durante el invierno, tomar precauciones en áreas resbaladizas o mojadas, hielo o nieve (riesgo de calda). Procurar siempre una posición segura.
- Nunca cortar por encima del hombro.
- Nunca subirse a una escalera y usar la Desbrozadora/Cortabordes.
- Nunca subirse a un árbol para trabajar con la Desbrozadora/Cortabordes.
- Nunca trabajar en terrenos inestables.
- Eliminar la arena, piedras, clavos etc. en el área de trabajo. Las partículas extrañas pueden dañar la herramienta de corte y pueden causar peligrosos contragolpes.
- Antes de empezar a trabajar, la herramienta de corte debe haber alcanzado la velocidad de trabajo.



Contragolpe

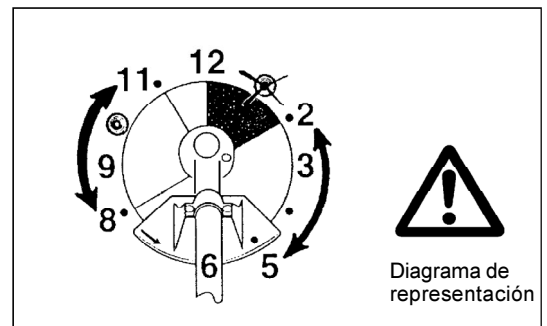
- Cuando se trabaja con la Desbrozadora, puede ocurrir el contragolpe inesperado.
- Se puede dar el caso particularmente cuando se trabaje en un segmento de la hoja de corte entre las 12 y las 2 del reloj.
- Nunca aplicar este segmento de la hoja a cuerpos sólidos tales como arbustos o árboles etc. con un diámetro mayor de 3 cms.
- La Desbrozadora será rechazada con violencia, con el consiguiente riesgo de heridas.
- Nunca utilizar la Desbrozadora dentro del segmento entre las 12 y 2 del reloj.



Prevención del Contragolpe (culatazo)

Para evitar el contragolpe(culatazo), observar lo siguiente:

- El trabajo con el segmento de cuchilla entre las 12 y las 2 del reloj presenta importantes peligros, especialmente cuando se utilizan hojas de corte metálicas.
- La operación de corte con el segmento de cuchilla entre las 11 y las 12 del reloj y entre las 2 y las 5 sólo debe ser realizada por operadores experimentados, y sólo bajo su propio riesgo.
- El corte fácil y casi sin contragolpe es posible con el segmento de cuchilla entre las 8 y las 11 del reloj.



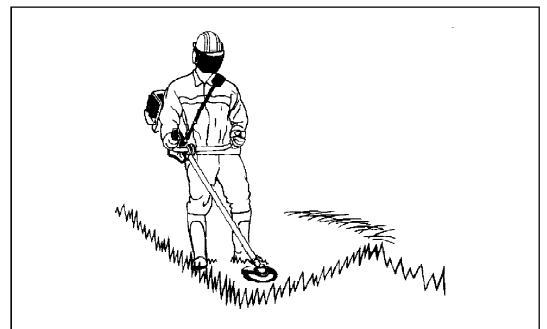
Herramientas de Corte

Emplear únicamente la herramienta de corte correcta para el trabajo en cuestión.

RBC2500 con Cuchilla de Corte (Cuchilla Estrella (4 dientes), Cuchilla Eddy (8 dientes)):

RBC2510 con Cabezal de Nylon:

Para el corte de materiales gruesos, tales como mala hierba, césped alto, matorrales, arbustos, bajo bosque, espesuras, etc. (máx diámetro 2 cms). Realizar el trabajo de corte balanceando el aparato uniformemente en semicírculos de derecha a izquierda (similar al uso de una guadaña).



Instrucciones de mantenimiento

- Las condiciones del aparato, en particular de la herramienta de corte, de las piezas protectoras, y de la correa deben ser comprobadas antes de empezar el trabajo. Atención especial debe prestarse a las hojas de corte que deben estar correctamente afiladas.
- Apagar el motor y quitar el conector de la bujía cuando se sustituya o afile la herramienta de corte o cuando se limpie el aparato o la cuchilla.

Nunca rectificar o soldar las herramientas de corte dañadas:

- Trabajar con la Desbrozadora/Cortabordes con el mínimo ruido y contaminación posible.
En particular, comprobar la colocación correcta del carburador.
- Limpiar la Desbrozadora/Cortabordes a intervalos regulares y comprobar que todas las tuercas y tornillos están bien sujetos.
- Nunca hacer mantenimiento ni almacenar la Desbrozadora/Cortabordes en la proximidad de llamas.
- Siempre almacenar la Desbrozadora/Cortabordes en habitaciones cerradas y con el tanque de combustible vacío.

Observar las instrucciones de prevención de accidentes relevantes que emiten los sindicatos y asociaciones oficiales y las compañías de seguros. No realizar modificaciones en la Desbrozadora/Cortabordes ya que pondrán en peligro su seguridad.

La realización del trabajo de mantenimiento o reparación por el usuario está limitada a las actividades que se describen en el manual de instrucciones. Cualquier otro trabajo debe ser realizado por el Agente de Servicio Autorizado.

Utilizar únicamente partes de recambio y accesorios genuinos suministrados por MAKITA.

El uso de accesorios y herramientas que no están aprobados significa un incremento en el riesgo de accidentes. MAKITA no aceptará ninguna responsabilidad por accidentes o daños causados por el uso de herramientas de corte y de sujeción, o accesorios, no aprobados.

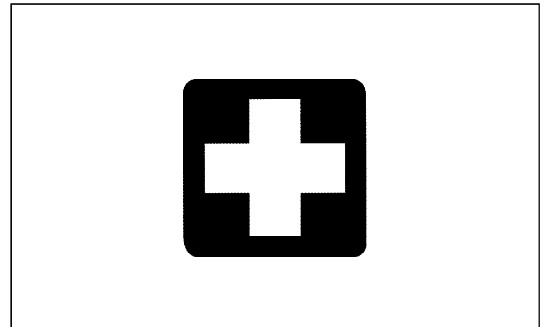


Primeros Auxilios

Para el caso de accidente asegúrese que un botiquín de primeros auxilios está disponible cerca del lugar de trabajo- Reponer inmediatamente cualquier producto que se utilice del botiquín.

Cuando se pida ayuda, se debe proporcionar la siguiente información.

- Lugar del accidente.
- Qué ha ocurrido.
- Número de personas heridas.
- Clase de heridas.
- Su nombre.



Embalaje

La Desbrozadora/Cortabordes MAKITA se entrega en dos cajas de cartón para prevenir daños durante el transporte.

El cartón es una materia prima básica y es por lo tanto reutilizable o válido para el reciclaje (reciclaje de papel usado).

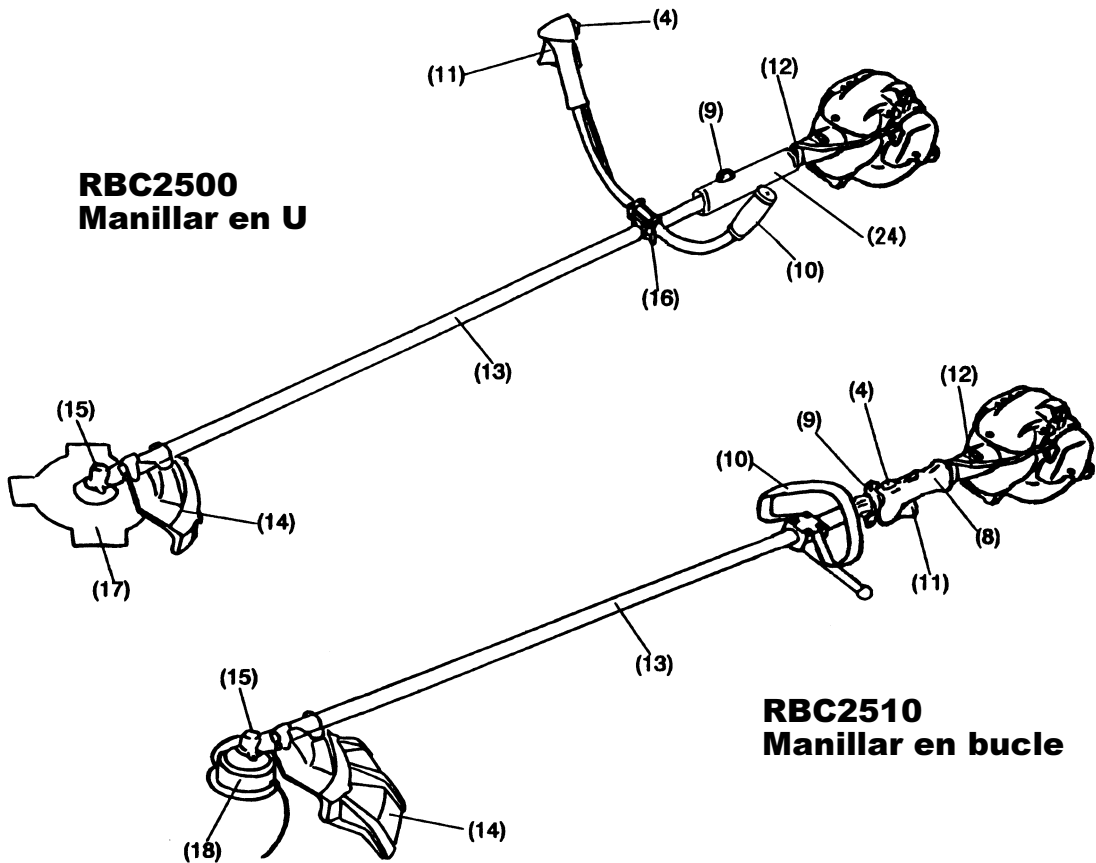


DATOS TÉCNICOS RBC2500, RBC2510

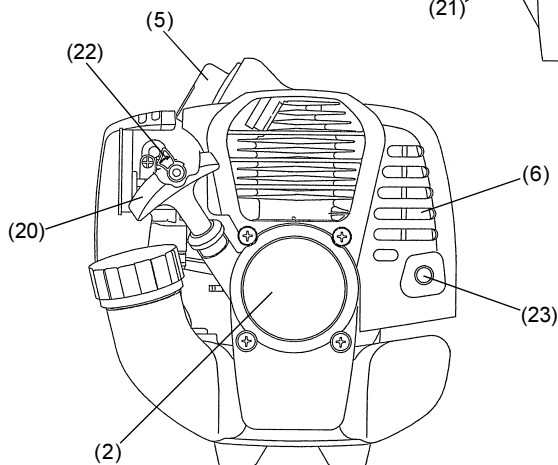
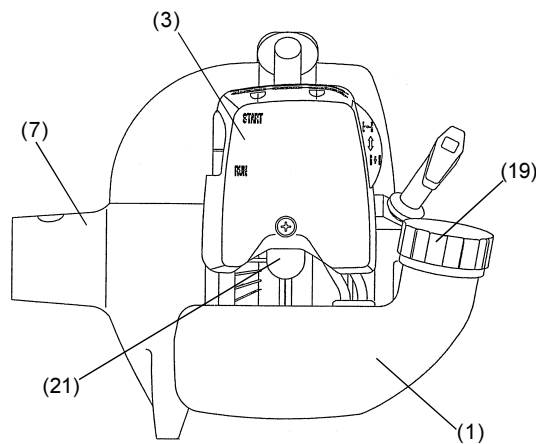
Modelo		RBC2500	RBC2510
		Manillar en U	Manillar en bucle
Dimensiones: largo x ancho x alto (sin hoja corte)	mm	1770x620x410	1770x340x220
Masa (sin protector de plástico ni hoja de corte)	kg	4.5	4.4
Volumen (tanque de combustible)	L	0.5	
Desplazamiento del motor	cc	24.5	
Máximo rendimiento del motor	HP	1.0 at 7000 /min	
Velocidad del motor al máximo de revoluciones recomendada	/min	8800	
Máximo de revoluciones (correspondiente)	/min	6000	
Consumo máximo de combustible	kg/h	—	
Consumo máximo de combustible especificado	g/HPh	—	
Velocidad en vacío	/min	2600	
Velocidad de acoplamiento del embrague	/min	3600	
Carburador	type	WALBRO WYJ	
Sistema de encendido	type	Incendido en estado sólido	
Bujías	type	NGK BM7A	
Separación del electrodo	mm	0.6 - 0.7	
Combustible		Ralacion de la mezcla (Gasolina: Aceite de motor de dos carreras legitimo de	
Relación de Engranajes		14/19	

DENOMINACIÓN DE PARTES

**RBC2500
Manillar en U**



**RBC2510
Manillar en bucle**



GB	DENOMINACION DE PARTES
1	Tanque de Combustible
2	Arrancador
3	Filtro de Aire
4	I-O Interruptor
5	Bujia
6	Silenciador de Salida
7	Caja del Embrague
8	Mango Trasero
9	Colgador
10	Manillar
11	Palanca de Control
12	Cable de Control
13	Caña
14	Protector
15	Caja de Engranajes
16	Agarre del Manillar
17	Cuchilla de Corte
18	Cabezal de Nylon
19	Tapón para llenado de combustible
20	Pomo de Arranque
21	Bomba de Cebado
22	Palanca del Cebador
23	Tubo de Escape
24	Almohadillado

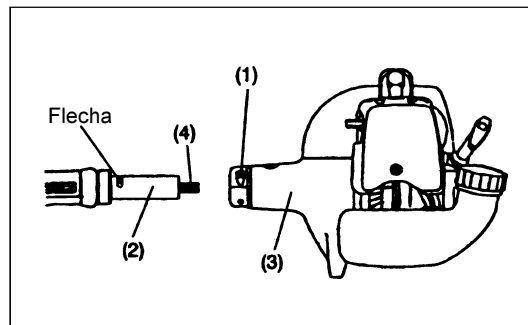
MONTAJE DE MOTOR Y EJE

PRECAUCIÓN: Antes de realizar cualquier trabajo con la desbrozadora, apagar el motor y separar el conector de la bujía.
Llevar siempre quantes!

PRECAUCIÓN: Arrancar la desbrozadora sólo después de haberlo montado completamente.

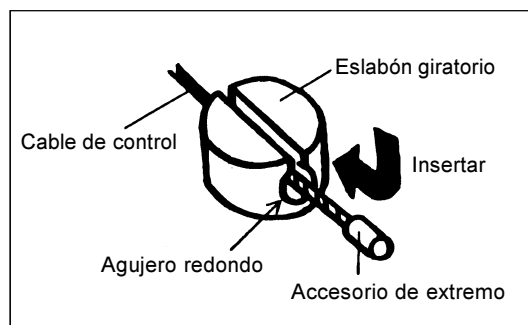
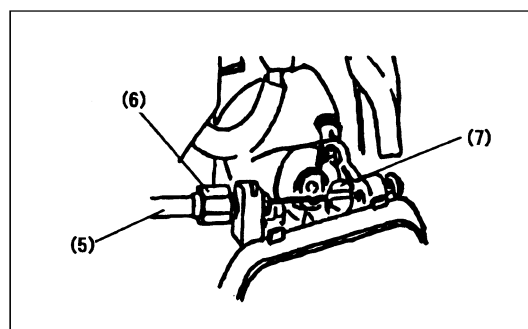


- Aflojar los dos pernos (1) e insertar el tubo principal (2) en el embrague de caja (3).
- Insertar el tubo principal hasta a la flecha. (Ver el diagrama a la derecha.)
Si es difícil de insertar, volver el eje (4) un poco e insertar otra vez.
- Apretar los dos pernos (1) de modo uniforme a la derecha y a la izquierda con llave Allen ofrecido.



Montaje del cable de control

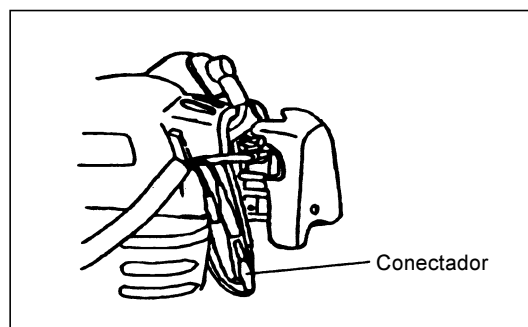
- Remover la cubierta del filtro de aire.
- Poner el cable de control (5) en el cable de ajuste (6). Mover el eslabón giratorio (7) y poner el cable en el eslabón giratorio. A este momento, tomar buena nota de que el agujero redondo en el eslabón se orienta hacia el accesorio al extremo del alambre interior.
- Soltar el eslabón giratorio y asegurarse de que el accesorio al alambre interior sea puesto en el agujero.
- Fijar la cubierta del filtro de aire.



Empalme del cordón del interruptor

Empalmar el cordón del interruptor con los dos cordones desde el motor insertando uno en otro.

- Fijar el conector del cordón con grapa.



MONTAJE DEL MANILLAR

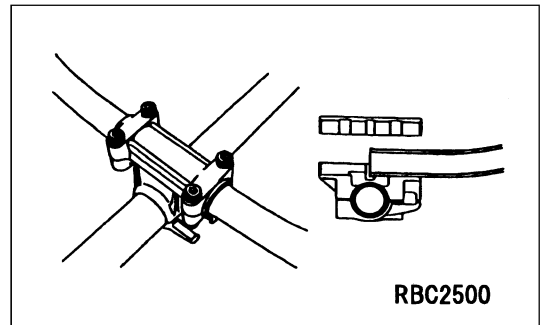
PRECAUCIÓN: Antes de realizar cualquier trabajo con la Desbrozadora/Cortabordes, apagar el motor y separar el conector de la bujía. Siempre llevar quantes!

PRECAUCIÓN: Arrancar la Desbrozadora/Cortabordes sólo después de haberlo montado completamente.

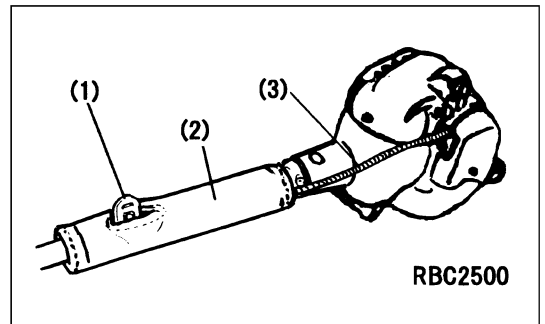


Para máquinas con manillar en U:

- Poner la pieza fijadora del asidero de modo que la palanca de control sea puesta al lado derecho (al lado manico derecho) visto desde el motor.
- Ajustar la ranura de la pieza fijadora del asidero al extremo del asidero. Fijar temporalmente la pieza anexa con perno hexagonal ofrecido.
- Ajustar el asidero a posición facil de hacer funcionar, y apretar firmemente los cuatro pernos hexagonales uniformemente a la derecha y a la izquierda con llave Allen.

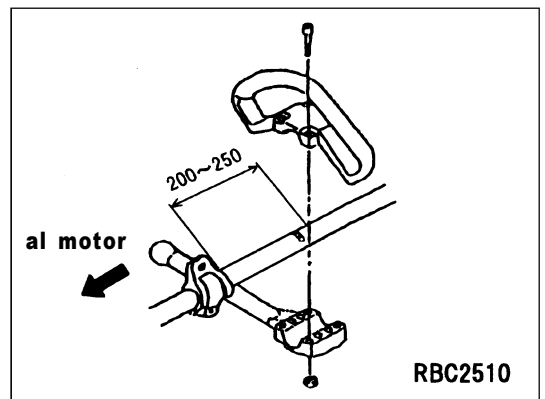


- Cubrir la caña con el almohadillado (2) de forma que el colgador (1) sobresalga por la ranura de la caña y quedando el cable de control y las cuerdas (3) envueltas por el almohadillado (2).



Para máquinas con manillar cerrado

- Fije una barrera en el lado izquierdo de la desbrozadora junto con el mango para que el operador mantenga la protección.
- No acier que el manillar bucle a la empuñadura.
- La posición normal del manillar es de 250 mm desde el colgador.



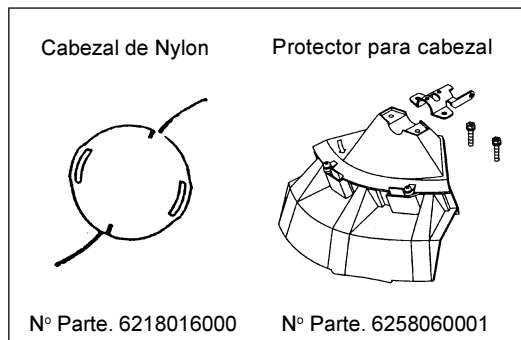
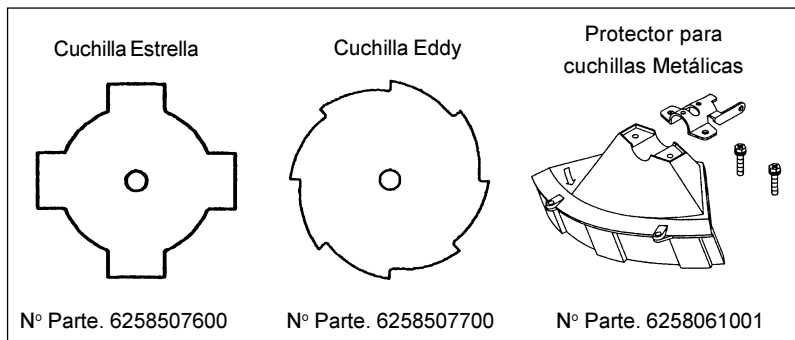
MONTAJE DEL PROTECTOR

Para satisfacer las normas de seguridad aplicables, únicamente deben utilizarse las combinaciones herramienta/protector que se indican en la tabla.



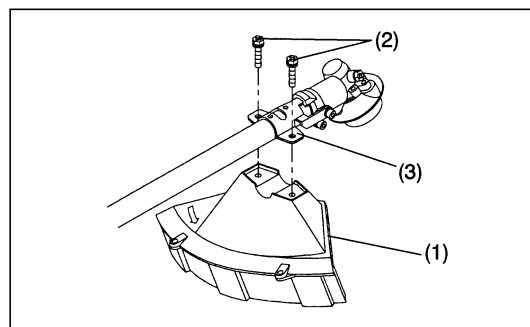
Asegúrese que se utilizan hojas de corte o cabezales de Nylon MAKITA.

- La hoja de corte debe estar bien pulida, sin grietas o daños.
- Si la hoja golpea una piedra durante la operación, parar el motor y comprobar el estado de la hoja inmediatamente.
- Si la cuchillo cortador golpee contra una piedra durante la operación, pare el motor y verifique la cabezal cortadora de nylon inmediatamente.

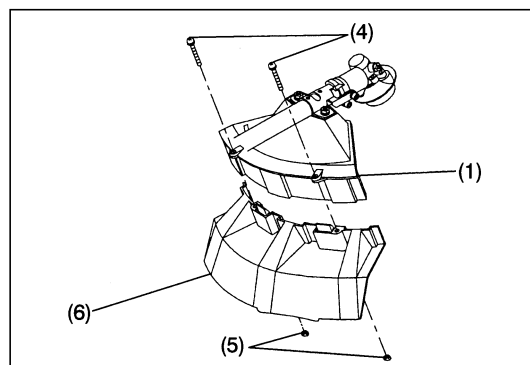


CPRECAUCIÓN: Un protector adecuado debe ser instalado siempre, para su propia seguridad y para cumplir con las normas de prevención de accidentes. No se permite la utilización del equipo sin el protector en su lugar.

- Fijar el protector (1) en la abrazadera (3) con dos pernos M6 x 30 (2).



- Cuando se utilice el cabezal de corte de nylon, ajuste el protector (6) dentro del protector (1) y apriételos con dos tuercas (5) y dos tornillos (4).

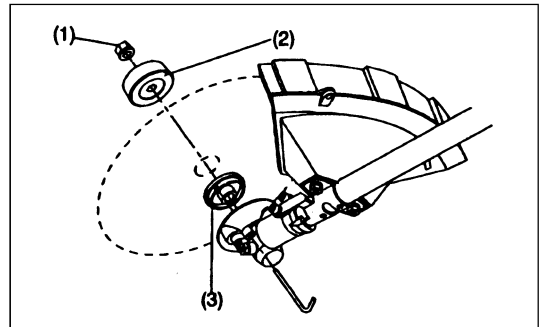


MONTAJE DE LA HOJA DE CORTE O CABEZAL DE CORTE DE NYLON

Voltee la máquina con la parte de arriba abajo, y de esta forma podrá cambiar la cuchilla de corte o la cabeza de corte de nylon más fácilmente.



- Insertar la llave hexagonal en el agujero de la caja de engranajes y girar la arandela del receptor (3) hasta que quede fijada en la llave o el eje quede cerrado.
- Aflojar la tuerca (1) (rosca a mano izquierda) con la llave de cubo y quitar la tuerca (1) y la arandela de adrazadera (2).



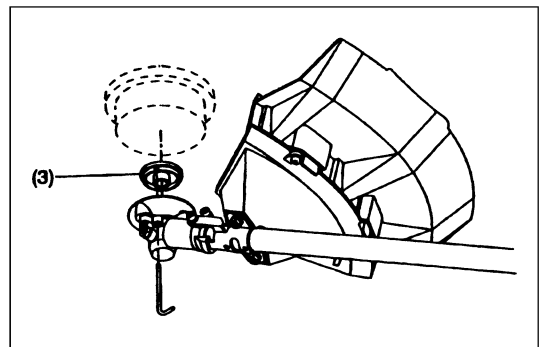
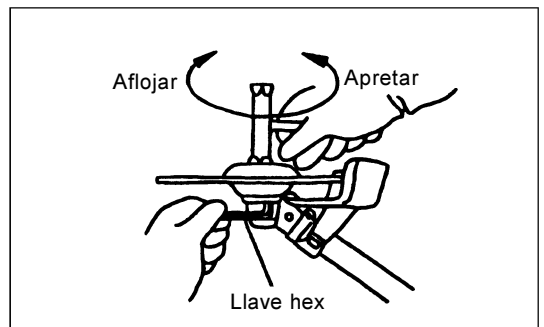
Con la llave hexagonal todavía puesta.

- Montar la cuchilla sobre el eje de forma que la guía de la arandela del receptor (3) encaje en el agujero de la cuchilla. Instalar la arandela de adrazadera (2) y fijar la cuchilla con la tuerca (1).
- [Momento de tensión: 13 – 23 N·m]

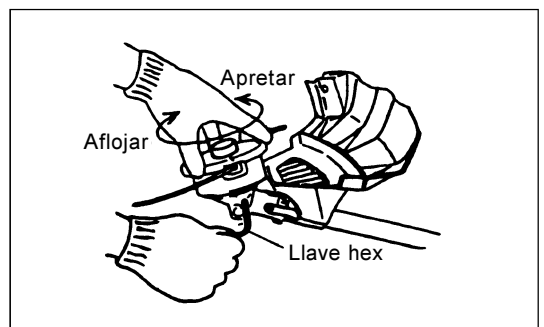
NOTA: Utilizar siempre guantes cuando se manipule la cuchilla de corte.

NOTA: La tuerca fijadora de la cuchilla de corte (con arandela de resorte) es una pieza consumible. Cuando cualquier desgaste o deformación aparezca en la arandela de resorte, reemplace la tuerca.

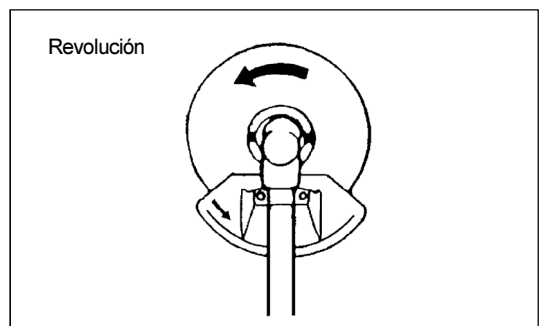
NOTA: La arandela de adrazadera (2) y la tuerca (1) no son necesarias para montar el cabezal de Nylon. Hay que poner la cabeza de nylon en el tope de la arandela del receptor (3).



- Atornillar el cabezal de Nylon sobre la caña.



- Asegúrese de que la cuchilla de corte esté colocada con la parte derecha hacia arriba.





Manipulación del combustible

La máxima atención se requiere cuando se manipule el combustible. El combustible puede contener sustancias similares a los disolventes. Reponer combustible en una habitación bien ventilada o en el exterior. No inhalar vapores de combustible, evitar el contacto del combustible o del aceite con su piel. entra en contacto con estas sustancias repetidamente y por un periodo extenso, se resecará. Varias enfermedades de piel pueden aparecer. Además, pueden ocurrir reacciones alérgicas. Pueden irritarse los ojos por el contacto con el aceite. Si entra en sus ojos, lavar inmediatamente con agua limpia. Si sus ojos permanecen irritados, vaya a un médico inmediatamente.

Mezcla de combustible y aceite

El motor de la desbrozadora es un motor de 2 tiempos de alto rendimiento. Funciona con una mezcla de combustible y aceite de motor de 2 tiempos. El motor está diseñado para combustible regular sin plomo y un octanaje mínimo de 91 ROZ. Si este combustible no está disponible, puede utilizar combustible con mayor octanaje. Esto no afectará al motor, pero puede provocar un rendimiento pobre.

Una situación similar ocurre con el uso de combustible con plomo. Para obtener un trabajo óptimo del motor y para proteger su salud y el medio ambiente, únicamente combustible sin plomo debería ser utilizado.

Para la lubricación del motor utilice un aceite de motor de 2 tiempos (grado TC-3) que se añade al combustible. El motor ha sido diseñado para el uso de aceite de motor 2 tiempos especificado y una mezcla de sólo 50:1 para proteger el medio ambiente. Además, se garantiza una larga vida y un funcionamiento seguro con una mínima emisión de gases. Es absolutamente esencial que se observe una proporción de mezcla 50:1 (aceite de motor 2 tiempos especificado), ya que en otro caso el funcionamiento seguro de la máquina no se puede garantizar.

La proporción correcta de mezcla es:

Gasolina : Aceite de motor de dos carreras legítimo de especificado = 50 : 1 o

Gasolina : Aceite de motor de dos carreras de otros fabricantes = 25 : 1
recomendado

NOTA: Para preparar la mezcla combustible-aceite, en primer lugar mezclar la totalidad del aceite requerido con la mitad de combustible necesario y después añadir el resto del combustible. Agitar completamente la mezcla antes de llenar el tanque de llenar el tanque de la desbrozadora. No es recomendable añadir más aceite de motor que el indicado. Únicamente se conseguirá una mayor emisión de residuos que contaminarán el canal de salida en el cilindro, así como en el silenciador. Además, se elevará el consumo de combustible y su rendimiento decrecerá.

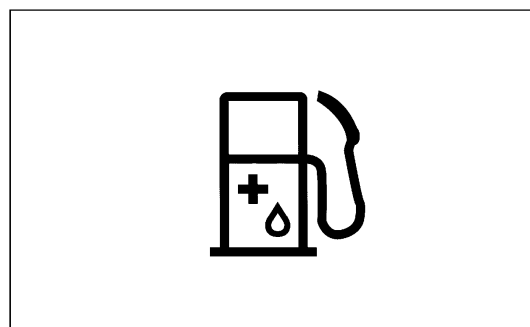
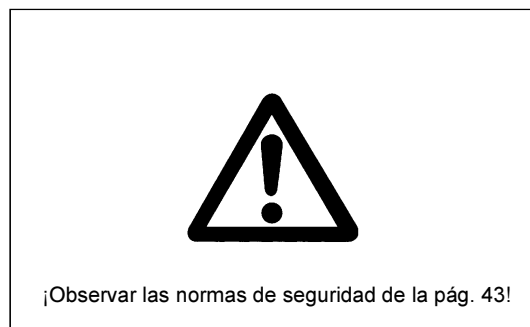
Reabastecimiento

¡El motor debe apagarse!

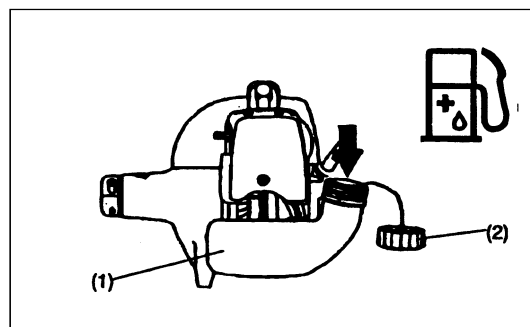
- Limpiar completamente la zona alrededor del tapón (2) para evitar que entre suciedad en el tanque (1).
- Aflojar el tapón (2) y llenar el tanque (1) con combustible según sea el caso.
- Apretar fuertemente el tapón (2).
- Limpiar el tapón (2) y al tanque después del llenado.

Almacenamiento del combustible

El combustible no se puede almacenar durante en periodo indefinido de tiempo. Comprar únicamente la cantidad requerida para un periodo de trabajo de 4 semanas. Utilizar únicamente contenedores de combustible aprobados.



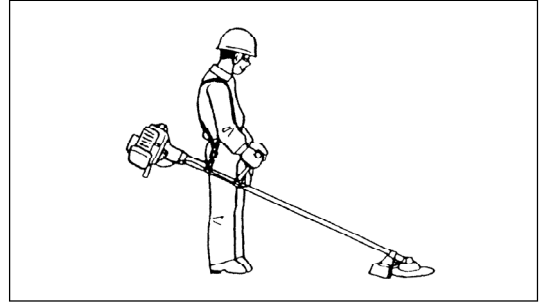
Gasolina	+	50:1	25:1
1000 mL (1 L)		20 mL	40 mL
5000 mL (5 L)		100 mL	200 mL
10000 mL (10 L)		200 mL	400 mL



USO CORRECTO DE LA MÁQUINA

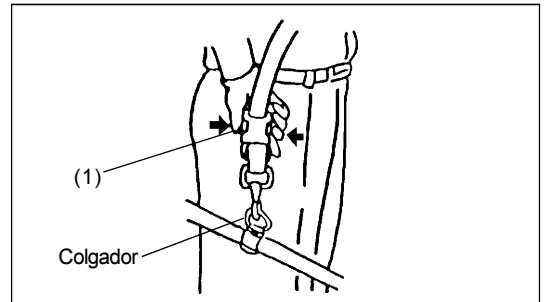
Colocación de la correa para el hombro.

- Ajustar la longitud de la correa de forma que la cuchilla de corte quede paralela al suelo.



Separación

- En caso de emergencia, tirar de la cinta para soltar (1) fuertemente hacia arriba, y puede descolgar y puede descolgar y separar la máquina de Ud. Tomar precauciones extremas para mantener el control de la máquina. No permitir que la máquina se desvía hacia Ud. o alguien situado cerca.
- ADVERTENCIA: Un fallo en mantener el completo control de la máquina puede causar heridas corporales muy graves o la muerte.



PUNTOS RELACIONADOS CON EL MANEJO Y LA PARADA

!Observar las normas de prevención de accidentes aplicables;



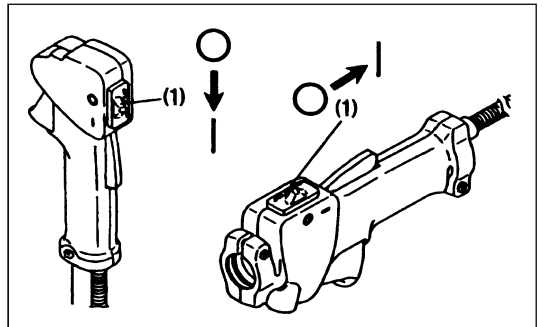
Arranque

Situarse a una distancia mínima de 3 metros del lugar de reabastecimiento. Colocar la desbrozadora en una zona de terreno limpio, tomando cuidado de que la herramienta de corte no entre en contacto con el suelo o cualquier otro objeto.

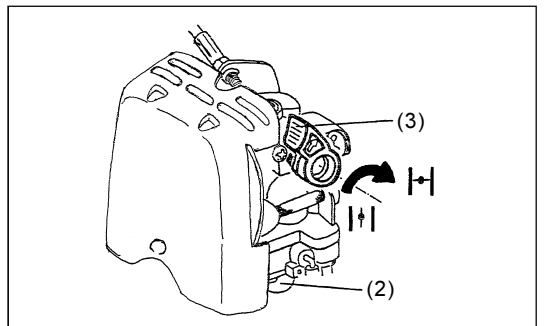
Arranque en frío:

Máquina con manillar U ó bucle

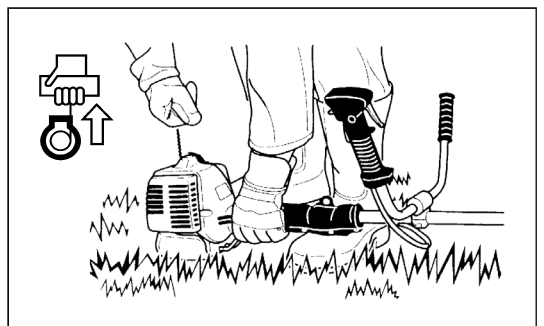
- Colocar el interruptor I-O (1) en la posición que indica flecha.



- Primero colocar la máquina sobre el suelo.
- Dar un suave empujón a la bomba de cebado (2) repetidamente (7-10 veces hasta que el combustible entre en la bomba.
- Colocar el palanca del cebador (3) a la posición superior "↑↓".



- Sujetar firmemente la caja del embrague con su mano izquierda según se ilustra.
- Retirar lentamente el mango del arrancador hasta que se note una resistencia y continuar con un tirón rápido.
- No estirar completamente la cuerda del arrancador hasta su longitud total, y no permitir que el mango del arrancador vuelva sin control. Asegurarse que vuelve lentamente.
- Repetir la operación de arranque hasta que se oigan los primeros encendidos.
- Recoloque el palanca del cebador en la posición "↑↓" después de que el motor se ponga en marcha. Puede recolocarla automáticamente si aprieta la palanca reguladora (palanca de mariposa) y abre la mariposa.



– Dejar correr el motor durante 1 minuto a una velocidad moderada antes de aplicar la admisión completa.

Note: – Si extrae la manivela de arranque con demasiada repetición cuando el palanca del cebador se mantiene en la posición “|↔|”, se pone en marcha con mucha dificultad debido a que se respira demasiado combustible.

– Si se respira demasiado combustible, desmonte la bujía de encendido, y haga escapar el combustible sobrado con repetida extracción lenta de la manivela de arranque. Asimismo, seque el electrodo de la bujía de encendido.

Precauciones durante la operación

Si la palanca de la mariposa de gases se abre completamente en operación sin carga, la rotación del motor se elevará a 10.000 /min o más. Nunca operar el motor a una velocidad más alta que la requerida y mantenerse a una velocidad aproximada de 6000-8000 /min.

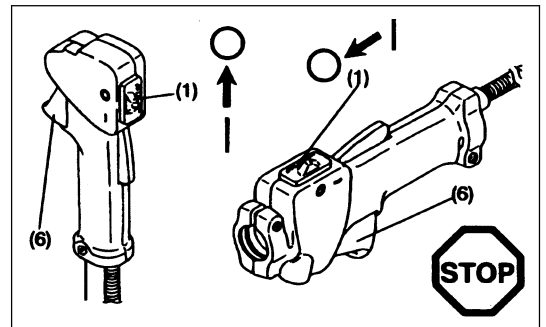
Arranque del motor en caliente

– Según se describe antes, pero sin mover la palanca el estrangulador (que permanecerá en la posición inferior “|↓|”).

Paro

– Soltar la palanca de control (6) completamente y cuando las revoluciones del motor desciendan, apretar el interruptor I-O (1) a la posición O. El motor parará.

– Tenga buena nota de que el cabezal de corte no puede parar inmediatamente y hágalo ir más despacio de forma suficiente.



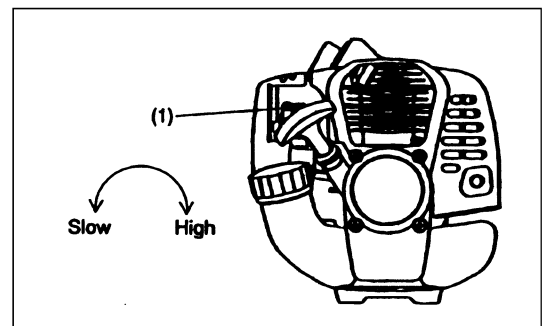
AJUSTE DEL GIRO A BAJA VELOCIDAD (RALENTÍ)

La cuchilla o el cabezal de Nylon no deben pitar cuando la palanca de control está completamente soltada. Si es necesario, ajustar las revoluciones en vacío, utilizando el tornillo de ajuste en vacío.

Comprobar la velocidad en vacío

– La velocidad en vacío debe fijarse a 2600 /min. Si es necesario, corregirla con el tornillo de ajuste (la cuchilla o el corte de cuerda no deben girar cuando el motor marcha en vacío.)

Si se aprieta el tornillo (1) se producirá un aumento de la velocidad del motor, mientras que girándolo hacia afuera, la velocidad del motor disminuirá.



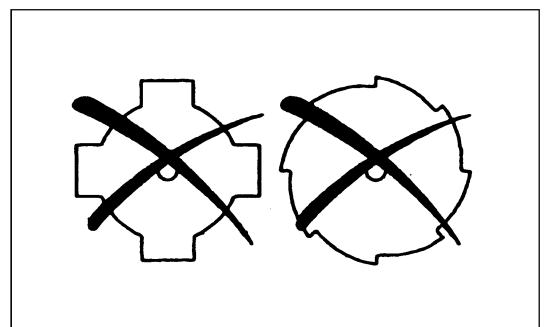
AFILAR LA HERRAMIENTA DE CORTE

PRECAUCIÓN: Las herramientas cortantes que se mencionan antes sólo deben ser afiladas con un equipo autorizado. La operación de afilado manual provocará desequilibrios de la herramienta causando vibraciones y daños del equipo.

– Cuchilla (Estrella (4 dientes), Eddy (8 dientes)).

Un afilado y equilibrado experto será proporcionado por el Agente de Servicios Autorizado.

NOTA: Para prolongar la vida de la cuchilla, puede girarse una vez, hasta que ambos filos se despunten.



CABEZAL DE NYLON

El cabezal de Nylon es un cabezal dual de cuerda que puede trabajar automáticamente y con mecanismo de tope y avance. El cabezal se alimentará automáticamente con la longitud adecuada de cuerda según los cambios de fuerza centrífuga causado por un aumento o disminución de las revoluciones. Sin embargo, para cortar el césped blando de forma eficiente, hacer topar el cabezal con el suelo para extraer cuerda adicional como se indica en la siguiente sección de operaciones.

Operación

- Aumentar la velocidad del cabezal de Nylon hasta unas 6000 min⁻¹. La velocidad baja (por debajo de 4800 min⁻¹) no será útil, la cuerda de Nylon no será extraída suficientemente a baja velocidad.
- El área más efectiva de corte se indica de forma sombreada.

- Si la cuerda de Nylon no se alimenta automáticamente, hacer lo siguiente.
1. Soltar la palanca de la mariposa de gases para hacer marchar el motor en vacío y apretar completamente la palanca de la mariposa de gases. Repetir hasta que la cuerda de Nylon salga hasta la longitud adecuada.
 2. Si la curda de Nylon demasiado corta para alimentarse automáticamente según lo xplicado, golpear el botón del cabezal contra el suelo para alimentar la cuerda de Nylon.
 3. Si la cuerda de Nylon no sale con lo explicado en 2, sustituir la cuerda de Nylon según el procedimiento que se explica a continuación en "sustitución de la cuerda de Nylon".

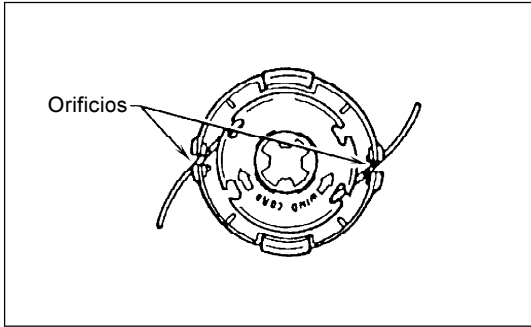
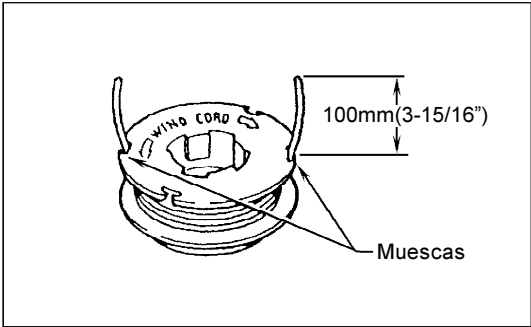
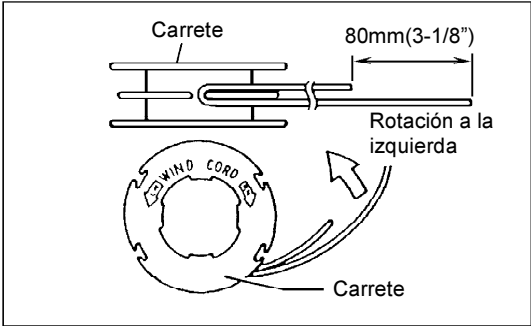
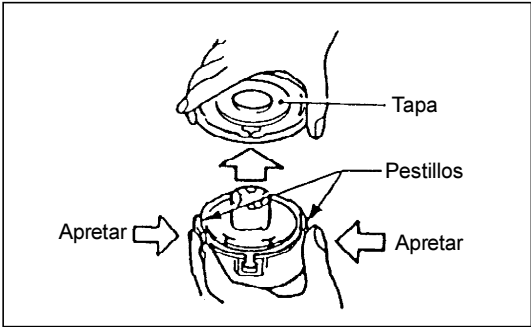
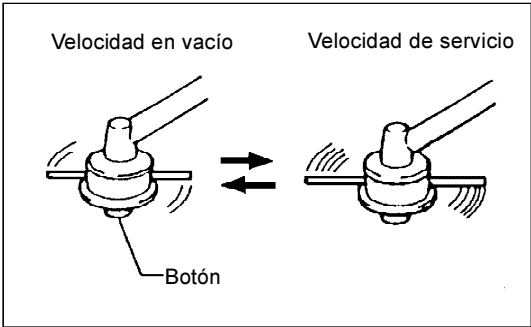
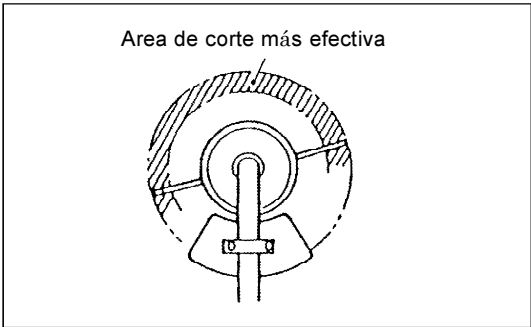
Sustitución del cabezal de Nylon

- Primero, parar el motor.
- Apretar los pestillos de la caja hacia el interior para levantar la tapa; quitar el carrete.

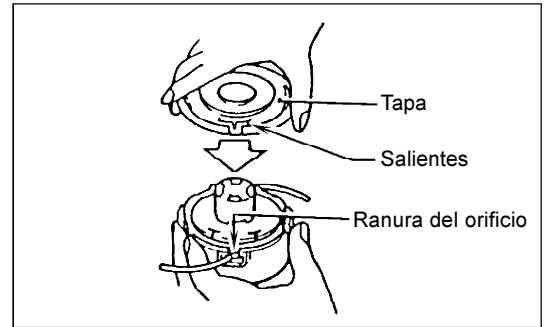
- Enganchar el centro de la nueva cuerda de Nylon en la muesca del centro del carrete, dejando que uno de los extremos de la cuerda mida unos 80mm (3-1/8") más que el otro.
- Enrollar ambos extremos firmemente alrededor del carrete en la dirección de rotación del cabezal (a mano izquierda indicado con LH y a mano derecha indicado con RH en el lateral del carrete).

- Enrollar la totalidad excepto unos 100mm (3-15/16") de la cuerda, dejando los extremos temporalmente enganchedos a través de una de las muescas del carrete.

- Montar el carrete en la caja de forma que los surcos y protuberancias del carrete encajen con los de la caja. Mantener el lado del carrete con letras visible (arriba). Ahora, desenganchar los sxtremos de la cuerda de su posición temporal y alimentar las cuerdas a través de los orificios hacia el exterior.



- Posicionar los salientes del interior de la tapa sobre las ranuras de los orificios. Presionar la tapa firmemente sobre la caja para asegurarla.



INSTRUCCIONES DE SERVICIO

INSTRUCCIONES DE SERVICIO



PRECAUCIÓN: Antes de realizar cualquier trabajo con la desbrozadora, siempre apagar el motor y sacar la tapa de la bujía (ver "comprobación de la bujía"). Siempre usar guantes protectores.

PRECAUCIÓN: Nunca colocar o desmontar el arrancador de manera propia. De otra manera, se puede encontrar un accidente. Es necesario consultar con su Agente de Servicio Autorizado.

Para asegurar una larga vida y evitar cualquier daño al equipo, las siguientes instrucciones de servicio deben realizarse a intervalos regulares:

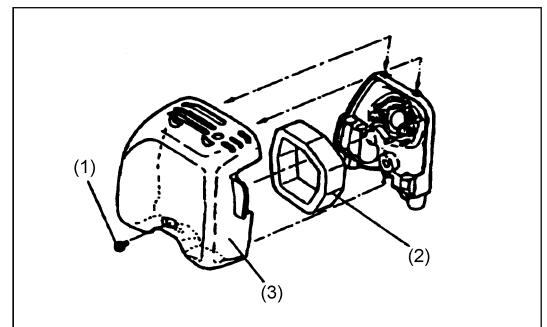
Daily checkup and maintenance

- Antes de trabajar, comprobar que no hay tornillos sueltos o que faltan piezas. Particularmente, revisar que la cuchilla o cabezal de Nylon están bien sujetas.
- Antes de trabajar, siempre comprobar que el paso de aire refrigerante y las aletas de los cilindros no están obturadas. Limpiarlos si es necesario.
- Realizar el siguiente trabajo diariamente después del uso:
 - Limpiar la desbrozadora externamente y revisar si hay daños.
 - Limpiar el filtro de aire. Cuando se trabaje en condiciones de mucho polvo, limpiar el filtro varias veces al día.
 - Comprobar que la cuchilla o el cabezal de Nylon no están dañados y comprobar que estén bien montados.
 - Comprobar que hay una diferencia suficiente entre la velocidad en vacío y de funcionamiento para asegurar que la herramienta de corte permanece quieta cuando el motor marcha en vacío. Si es necesario reducir la velocidad en vacío. Si en velocidad inferior a la marcha en vacío la cuchilla sigue girando, consulte con su Agente de Servicio Autorizado.
- Comprobar el funcionamiento del interruptor I-O la palanca de cierre, la palanca de la mariposa de gases y el botón de cierre.

Limpeza del filtro de aire

- Destornillar (1).
- Quitar la tapa del filtro de aire (3).
- Sacar el elemento esponjoso (2), lavarlo en agua templada y secar completamente.
- Después de limpiar, poner nuevamente la tapa del filtro (3) y atornillar (1).

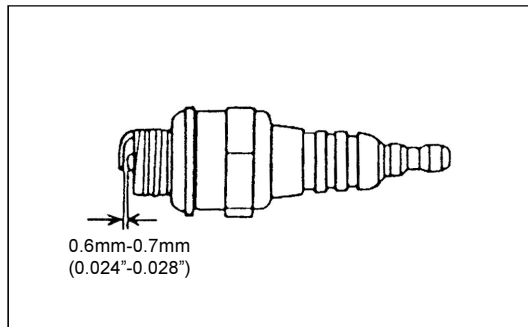
NOTA: Si hay polvo o suciedad excesivos, lavar cada día. Un filtro obturado puede hacer que sea difícil o imposible arrancar el motor o incrementar la velocidad de rotación del motor.



Comprobación de la Bujía

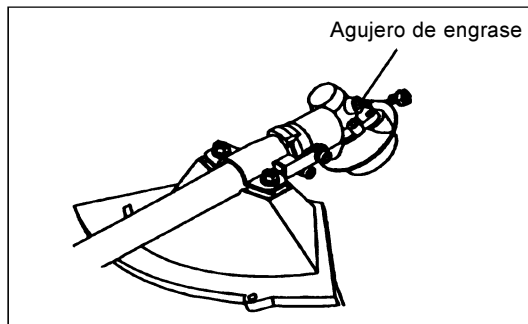
- Utilizar solo la llave universal suministrada para quitar o instalar la bujía.
- La separación entre ambos electrodos de la bujía debe ser de 0.6 - 0.7mm (0.024" - 0.028"). Si la separación es mayor o menor, ajustarla. Si la bujía está obturada con carbonilla o sucia, limpiarla completamente o cambiarla.

PRECAUCIÓN: Nunca tocar el conector de la bujía mientras el motor funciona. (Riesgo de alto voltaje).



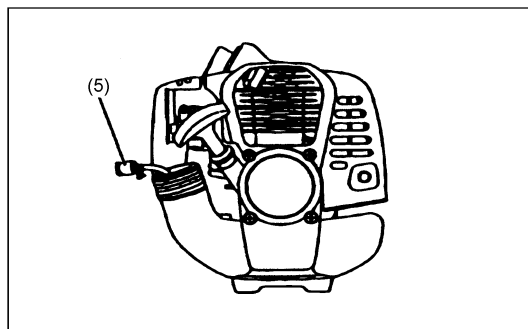
Suministro de grasa a la caja de engranajes

- Suministrar grasa (Shell Alvania No. 3 o equivalente) a la caja de engranajes a través del agujero cada 30 horas. (Puede comprar grasa genuina MAKITA a su distribuidor MAKITA).



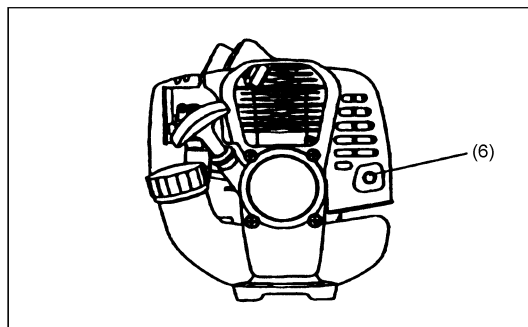
Cabezal de succión en el tanque de combustible

- El filtro de fieltro (5) del cabezal de succión se utiliza para filtrar el combustible requerido por el carburador.
- Una inspección visual periódica de este filtro debe realizarse. Para ese propósito, saque la tapa del tanque y con un alambre en forma de gancho saque el cabezal a través del agujero del tanque. Los filtros que se hayan endurecido, ensuciado u obturado deben sustituirse.
- El suministro insuficiente de combustible puede provocar que se supere la máxima velocidad admisible. Por lo tanto, es importante cambiar este filtro por lo menos cada trimestre para asegurar un suministro satisfactorio de combustible al carburador.



Limpieza del orificio de salida del silenciador

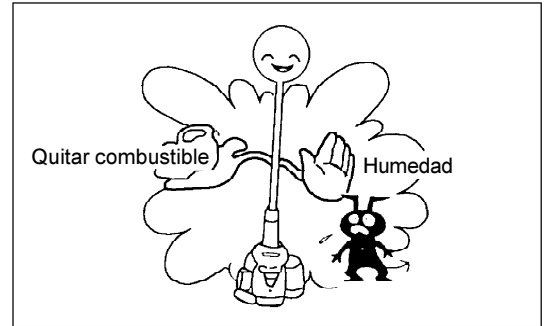
- Comprobar regularmente el orificio (6) de salida del silenciador.
- Si está obturado por depósitos de carbón, arrancar con cuidado estos depósitos con una herramienta adecuada.



Cualquier operación de mantenimiento o ajuste que no se incluya o describa en este manual sólo debe realizarse por el Agente de Servicio Autorizado.

ALMACENAMIENTO

- Cuando se guarde la máquina durante un período largo de tiempo, extraer todo el combustible del tanque y del carburador. Desechar el combustible de acuerdo con la normativa local.
- Quitar la bujía y echar unas gotas de aceite en el agujero de la bujía. Tirar del tirador de arranque suavemente, confirmar que la película de aceite cubre el interior del motor y colocar la bujía.
- Limpiar el polvo o suciedad de la cuchilla y del exterior del motor con un trapo sumergido en aceite y guardar la máquina en lugar seco.



Esquema de mantenimiento

General	Conjunto de motor tornillos y tuercas	Inspección visual de daños y seguridad Comprobar condiciones generales
Después de cada reabastecimiento	Palanca de control Interruptor I-O	Comprobación funcional Comprobación funcional
Diaria	Filtro aire Conducto aire refrigerante Herramienta de corte Velocidad en vacío	Limpiarlo Limpiarlo Comprobar daños y estado del afilado Inspeccionar (la cuchilla no se debe mover)
Semanal	Bujía Silenciador	Inspección/cambiar si es necesario Comprobar si es necesario limpiar
Trimestral	Cabezal de succión Tanque combustible	Cambiar Limpiar
Procedimiento para almacenaje	Tank combustible Carburador	Vaciar hacer funcionar hasta que el motor quede sin combustible

Localización de averías

Avería	Sistema	Observaciones	Causas
El motor no arranca o lo hace con dificultades	Encendido	Hay chispa de encendido	Fallo en suministro de combustible o sistema de compresión Defecto mecánico
		No hay chispa	Interruptor I-O conectado, fallo del cableado o cortocircuito, bujía o conector defectuosos, fallo en el módulo de encendido
	Suministro de combustible	Tanque lleno	Posición incorrecta del estrangulador, carburador defectuoso, cabezal de succión sucio, línea de suministro de combustible doblada o interrumpida
	Compresión	Interior del motor	La junta interior del cilindro es defectuosa, los retenes del cigüeñal están dañados, el cilindro o los segmentos del pistón están dañados
Problemas de arranque en caliente	Fallo mecánico	El arrancador no funciona	El muelle del arrancador está roto. Partes rotas en el interior del motor
		Tanque lleno hay chispa de encendido	Carburador contaminado, hay que limpiarlo
El motor arranca y se para inmediatamente	Suministro de combustible	Tanque lleno	Ajuste en vacío incorrecto, el cabezal de succión o el carburador están contaminados La ventilación del tanque falla, la línea de suministro de combustible está interrumpida. El cable o el interruptor I-O fallan.
Rendimiento pobre	Varios Sistemas pueden verse afectados	Motor en vacío	Filtro de aire contaminado, carburador contaminado, silenciador obturado, conducto de salida en el cilindro obturado

Makita Corporation

3-11-8, Sumiyoshi-cho,
Anjo, Aichi 446-8502, Japan

Free Manuals Download Website

<http://myh66.com>

<http://usermanuals.us>

<http://www.somanuals.com>

<http://www.4manuals.cc>

<http://www.manual-lib.com>

<http://www.404manual.com>

<http://www.luxmanual.com>

<http://aubethermostatmanual.com>

Golf course search by state

<http://golfingnear.com>

Email search by domain

<http://emailbydomain.com>

Auto manuals search

<http://auto.somanuals.com>

TV manuals search

<http://tv.somanuals.com>