



Makita

アメリカ

Cordless Grass Trimmer

120 mm (4-3/4") MODEL UM1200D

120 mm (4-3/4") MODEL UM1200DW

With Fast Charger

INSTRUCTION MANUAL



SPECIFICATIONS

• Model UM1200D					
Effective cutting width		No load speed	Dimensions (L x W x H)		Net weight
120 mm (4-3/4")		13,000 R/min.	361 mm x 126 mm x 773 mm (14-1/4" x 5" x 30-3/8")		1 kg (2.2 lbs)
• Battery Cartridge 7000			• Model DC7100 Fast charger		
Voltage	Charging time	Input	Output	Dimensions (L x W x H)	Net weight
7.2 V	1 Hr.	A.C. only 50 Hz – 60 Hz	D.C. 7.2 V	145 mm x 80 mm x 61 mm (5-3/4" x 3-1/8" x 2-3/8")	0.7 kg (1.5 lbs)

* Manufacturer reserves the right to change specifications without notice.

* Note: Specifications may differ from country to country.

IMPORTANT SAFETY INSTRUCTIONS

(For All Tools)

WARNING: WHEN USING ELECTRIC TOOLS, BASIC SAFETY PRECAUTIONS SHOULD ALWAYS BE FOLLOWED TO REDUCE THE RISK OF FIRE, ELECTRIC SHOCK, AND PERSONAL INJURY, INCLUDING THE FOLLOWING:

READ ALL INSTRUCTIONS.

1. Be aware that this appliance is always in an operating condition, because it does not have to be plugged into an electrical outlet.
2. Avoid Dangerous Environment — Don't use or leave appliances in damp or wet locations.
3. Don't Use In Rain.
4. Keep Children and Pets Away — All visitors should be kept at a distance from work area.
5. Dress Properly — Do not wear loose clothing or jewelry. They can be caught in moving parts. Use of rubber gloves and substantial footwear is recommended when working outdoors. Do not wear slippers, sandals, etc.
6. Use Right Appliance — Do not use appliance for any job except that for which it is intended.
7. Avoid Unintentional Starting — Don't carry appliance with finger on switch. Be sure switch is off when inserting battery cartridge into the appliance.
8. Don't grasp the exposed cutting blades or cutting edges when picking up or holding the appliance.
9. Don't Force Appliance — It will do the job better and with less likelihood of a risk of injury at the rate for which it was designed.
10. Don't Overreach — Keep proper footing and balance at all times.
11. Store Idle Appliances Indoors — When not in use, appliances should be stored indoors in dry, high or locked-up place — out of reach of children.
12. Maintain Appliance With Care — Keep cutting edge sharp and clean for best performance and to reduce the risk of injury. Follow instructions for lubricating and changing accessories.

IMPORTANT SAFETY INSTRUCTIONS

1. **SAVE THESE INSTRUCTIONS** – This manual contains important safety and operating instructions for battery charger.
2. Before using battery charger, read all instructions and cautionary markings on (1) battery charger, (2) battery, and (3) product using battery.
3. **CAUTION** – To reduce risk of injury, charge only MAKITA Battery 7000. Other types of batteries may burst causing personal injury and damage.
4. Do not expose charger to rain or snow.
5. Use of an attachment not recommended or sold by the battery charger manufacturer may result in a risk of fire, electric shock, or injury to persons.
6. To reduce risk of damage to electric plug and cord, pull by plug rather than cord when disconnecting charger.
7. Make sure cord is located so that it will not be stepped on, tripped over, or otherwise subjected to damage or stress.
8. An extension cord should not be used unless absolutely necessary. Use of improper extension cord could result in a risk of fire and electric shock. If extension cord must be used, make sure:
 - a. That pins on plug of extension cord are the same number, size, and shape as those of plug on charger;
 - b. That extension cord is properly wired and in good electrical condition; and
 - c. That wire size is at least as large as the one specified in the table below.

TABLE 1
RECOMMENDED MINIMUM AWG SIZE FOR
EXTENSION CORDS FOR BATTERY CHARGERS

Length of Cord (Feet)	25	50	100	150
AWG Size of Cord	18	18	18	16

9. Do not operate charger with damaged cord or plug – replace them immediately.
10. Do not operate charger if it has received a sharp blow, been dropped, or otherwise damaged in any way; take it to a qualified serviceman.
11. Do not disassemble charger or battery cartridge; take it to a qualified serviceman when service or repair is required. Incorrect reassembly may result in a risk of electric shock or fire.
12. To reduce risk of electric shock, unplug charger from outlet before attempting any maintenance or cleaning. Turning off controls will not reduce this risk.

ADDITIONAL SAFETY RULES FOR CHARGER & BATTERY CARTRIDGE

1. Do not charge Battery Cartridge when temperature is BELOW 10°C (50°F) or ABOVE 40°C (104°F).
2. Do not attempt to use a step-up transformer, an engine generator or DC power receptacle.
3. Do not allow anything to cover or clog the charger vents.
4. Do not short the battery cartridge:
 - (1) Do not touch the terminals with any conductive material.
 - (2) Avoid storing battery cartridge in a container with other metal objects such as nails, coins, etc.
 - (3) Do not expose battery cartridge to water or rain.
A battery short can cause a large current flow, overheating, possible burns and even a breakdown.
5. Do not store the tool and Battery Cartridge in locations where the temperature may reach or exceed 50°C (122°F).
6. Do not incinerate the Battery Cartridge even if it is severely damaged or is completely worn out. The battery cartridge can explode in a fire.

ADDITIONAL SAFETY RULES FOR CORDLESS GRASS TRIMMER

1. Keep guards in place and in working order.
2. Keep hands and feet away from cutting area. The blade coasts for several seconds after the tool has been turned off.
3. Always use eye protection.
4. This tool is for cutting grass or weeds only. Do not use it for other purposes.
5. To prevent personal injury or damage to the tool, remove rocks, wire and large sticks from the work area before cutting.
6. Stop the tool immediately if you notice anything abnormal. If you find cracks or damage in the blade, replace it immediately.

SAVE THESE INSTRUCTIONS.

ASSEMBLY

CAUTION:

Always be sure that the battery cartridge is removed before assembling the trimmer.

- Remove the wing bolt from the motor housing. Insert the shaft into the motor housing, align the hole in the shaft with the hole in the motor housing. Replace the wing bolt and tighten it securely.

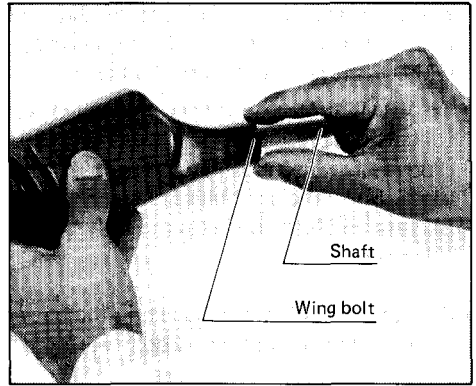


Fig. 1

- Remove the wing bolt from the grip. Insert the shaft into the grip, align the hole in the shaft with the hole in the grip. Replace the wing bolt and tighten it securely.

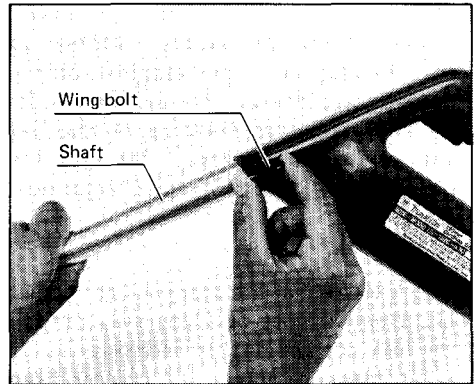


Fig. 2

- Slide the guard ring on the safety guard into the position shown in the figure and push the safety guard into the slot in the motor housing.

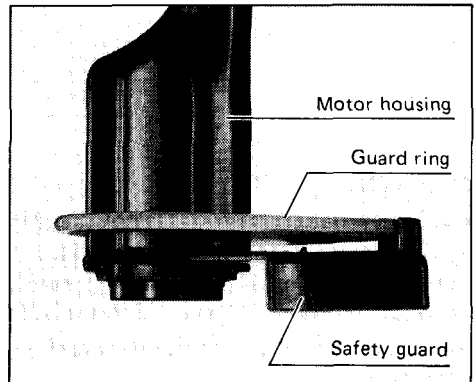


Fig. 3

Installing or removing battery cartridge

- Always switch off the tool before insertion or removal of the battery cartridge.
- To remove the battery cartridge, pull out the set plate on the bottom of the tool and grasp both sides of the cartridge while withdrawing it from the barrel.
- To insert the battery cartridge, align the tongue on the battery cartridge with the groove in the housing and slip it into place. Snap the set plate back into place. Be sure to close the set plate fully before using the tool.

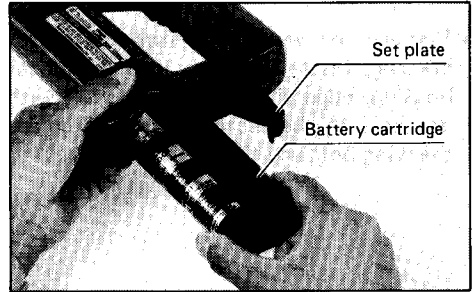


Fig. 4

- Do not use force when inserting the battery cartridge. If the cartridge does not slide in easily, it is not being inserted correctly.

Charging

- Plug the fast charger into your power source. Insert the battery cartridge so that the plus and minus terminals on the battery cartridge are on the same sides as their respective markings on the fast charger. Insert cartridge fully into the port so that it rests on the charger port floor.

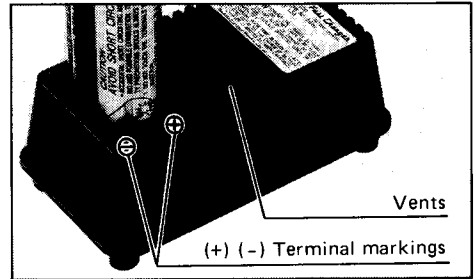


Fig. 5

- Check to see that the charging light comes on. When it goes out, you may remove the fully charged battery cartridge. After charging, unplug the charger from the power source.

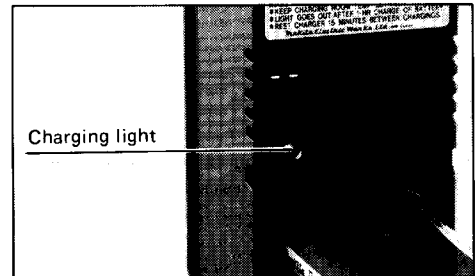


Fig. 6

CAUTION:

- Your new battery cartridge is not charged. You will need to charge it before use.
- If you try to charge a cartridge from a just-operated tool, sometimes the charging light will not come on after you insert a cartridge from a just operated tool. Let the cartridge cool off for a while. Then re-insert it and try to charge it once more.
- If you wish to charge two battery cartridges, allow 15 minutes between chargings on the fast charger.

Installing or removing blade

CAUTION :

Always be sure that the battery cartridge is removed before installing or removing blade.

- Insert the blade into the groove in the blade holder until the blade is held by the two protrusions on the blade holder.

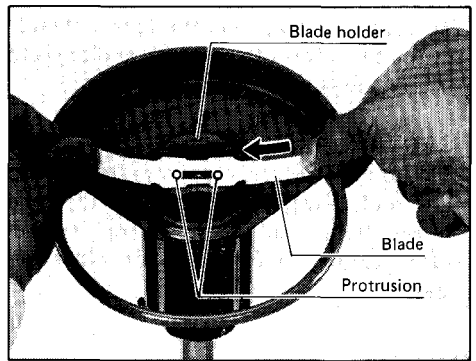


Fig. 7

CAUTION :

Always be sure that the blade is installed properly before operation.

- To remove the blade, bend both ends of the blade up until it will slip up and over the protrusions. Then pull the blade out.

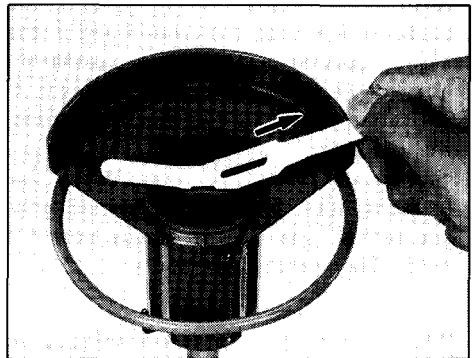


Fig. 8

CAUTION :

Replace the used blade before it is worn down too far, or you will have difficulty in bending the ends up to remove it. If this happens, insert a new blade between the used blade and the blade holder, hold the both blades and pull them out.

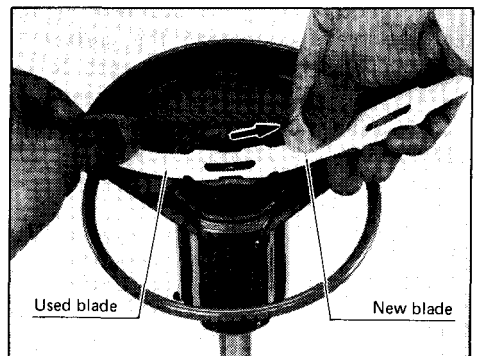


Fig. 9

Switch action

- To prevent the trigger from being accidentally pulled, a lock-off lever is provided as a safety feature.

To start the tool, slide the lock-out lever in the direction of the arrow and pull the trigger. Release the trigger to stop.

CAUTION:

Before inserting the battery cartridge into the tool, always check to see that the trigger switch actuates properly and returns to the "OFF" position when released.

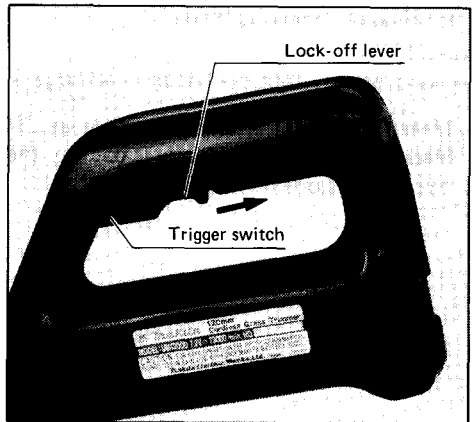


Fig. 10

Operation

- Hold the tool firmly without the blade making any contact. Then turn the tool on and gently move the tool back and forth in the area to be cut, keeping the blade parallel with the ground and at the desired cutting height. When cutting tall grass or heavy weeds, proceed slowly. If you attempt to cut too much at a time, the blade may get tangled with weeds, causing the motor to stop. When this happens, turn the tool off immediately and remove the grass or weeds from the blade. Then resume operation.



Fig. 11

When cutting grass or weeds adjacent to walls, curbing, etc., move the tool slowly and smoothly along the curb with the tip of the blade contacting the curb very lightly. This may cause the curb to be scratched slightly or may cause premature blade wear. However, the tool itself will not be adversely affected.

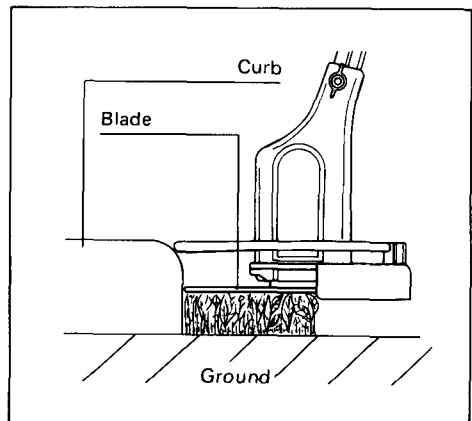


Fig. 12

CAUTION :

- Forcing the tool may shorten the operating time per battery charge.
- If the tool is operated continuously until the battery cartridge has discharged, allow the tool to rest for 15 minutes before proceeding with a fresh battery.

NOTE :

You can expect up to 35 minutes running time on a single charge.

MAINTENANCE

CAUTION :

Always be sure that the tool is switched off and the battery cartridge is removed before attempting to perform inspection or maintenance.

Cleaning blade and blade holder

- After operation, clean off the blade and the blade holder with a soft brush. Failure to clean off the blade holder may cause difficulty in installing the blade.



Fig. 13

To maintain product SAFETY and RELIABILITY, repairs, any other maintenance of adjustment should be performed by Makita Authorized or Factory Service Centers, always using Makita replacement parts.

ACCESSORIES

CAUTION:

These accessories or attachments are recommended for use with your Makita tool specified in this manual. The use of any other accessories or attachments might present a risk of injury to persons. The accessories or attachments should be used only in the proper and intended manner.

- **Makita Battery cartridge 7000**

Part No. 632003-2

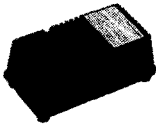


- **Blade (20 per pkg.)**

Part No. 792374-0



- **Fast charger (Model DC7100)**



- **Battery holster**

Holster holds extra battery.

Part No. 823033-3C



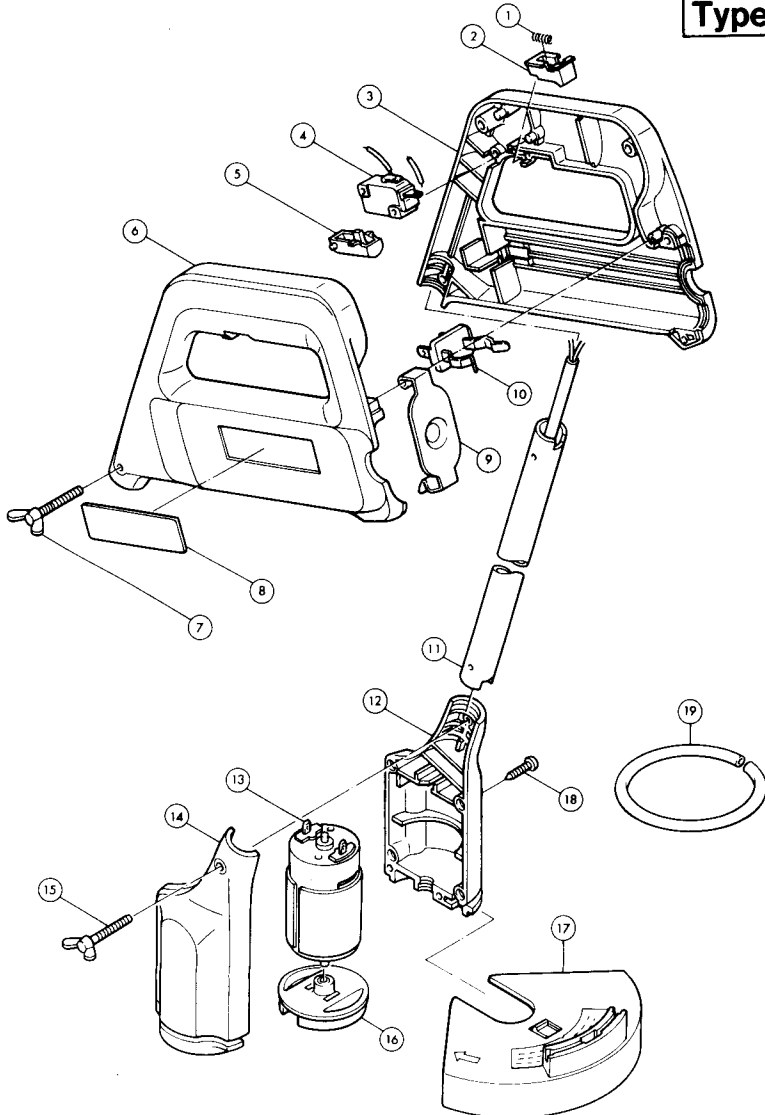
- **12 V Fast charger**

Model DC7012





120 mm (4-3/4") CORDLESS GRASS TRIMMER Model UM1200D

Type1


Note: The switch and other part configurations may differ from country to country.



ITEM NO.	NO. USED	DESCRIPTION	ITEM NO.	NO. USED	DESCRIPTION
MACHINE			MACHINE		
1	1	Compression Spring 3	11	1	Pipe 18 (Shaft)
2	1	Lock-off Lever	12	1	Motor Housing R
3	1	Grip R	13	1	Motor
4	1	Switch	14	1	Motor Housing L
5	1	Switch Lever	15	1	Wing Bolt M4x30
6	1	Grip L	16	1	Blade Holder
7	1	Wing Bolt M4x30	17	1	Safety Guard
8	1	Name Plate	18	8	Tapping Screw 3x20
9	1	Set Plate	19	1	Tube 4 (Guard Ring)
10	1	Battery Holder			

Note: The switch and other part specifications may differ from country to country.

MAKITA LIMITED ONE YEAR WARRANTY

Warranty Policy

Every Makita tool is thoroughly inspected and tested before leaving the factory. It is warranted to be free of defects from workmanship and materials for the period of ONE YEAR from the date of original purchase. Should any trouble develop during this one-year period, return the COMPLETE tool, freight prepaid, to one of Makita's Factory or Authorized Service Centers. If inspection shows the trouble is caused by defective workmanship or material, Makita will repair (or at our option, replace) without charge.

This Warranty does not apply where:

- repairs have been made or attempted by others;
- repairs are required because of normal wear and tear;
- The tool has been abused, misused or improperly maintained;
- alterations have been made to the tool.

IN NO EVENT SHALL MAKITA BE LIABLE FOR ANY INDIRECT, INCIDENTAL OR CONSEQUENTIAL DAMAGES FROM THE SALE OR USE OF THE PRODUCT. THIS DISCLAIMER APPLIES BOTH DURING AND AFTER THE TERM OF THIS WARRANTY.

MAKITA DISCLAIMS LIABILITY FOR ANY IMPLIED WARRANTIES, INCLUDING IMPLIED WARRANTIES OF "MERCHANTABILITY" AND "FITNESS FOR A SPECIFIC PURPOSE," AFTER THE ONE-YEAR TERM OF THIS WARRANTY.

This Warranty gives you specific legal rights, and you may also have other rights which vary from state to state. Some states do not allow the exclusion or limitation of incidental or consequential damages, so the above limitation or exclusion may not apply to you. Some states do not allow limitation on how long an implied warranty lasts, so the above limitation may not apply to you.



Makita Electric Works, Ltd.

11-8, 3-chome, Sumiyoshi-cho, Anjo, Aichi 446, Japan

883560A067

PRINTED IN JAPAN

1987-6-N

Free Manuals Download Website

<http://myh66.com>

<http://usermanuals.us>

<http://www.somanuals.com>

<http://www.4manuals.cc>

<http://www.manual-lib.com>

<http://www.404manual.com>

<http://www.luxmanual.com>

<http://aubethermostatmanual.com>

Golf course search by state

<http://golfingnear.com>

Email search by domain

<http://emailbydomain.com>

Auto manuals search

<http://auto.somanuals.com>

TV manuals search

<http://tv.somanuals.com>