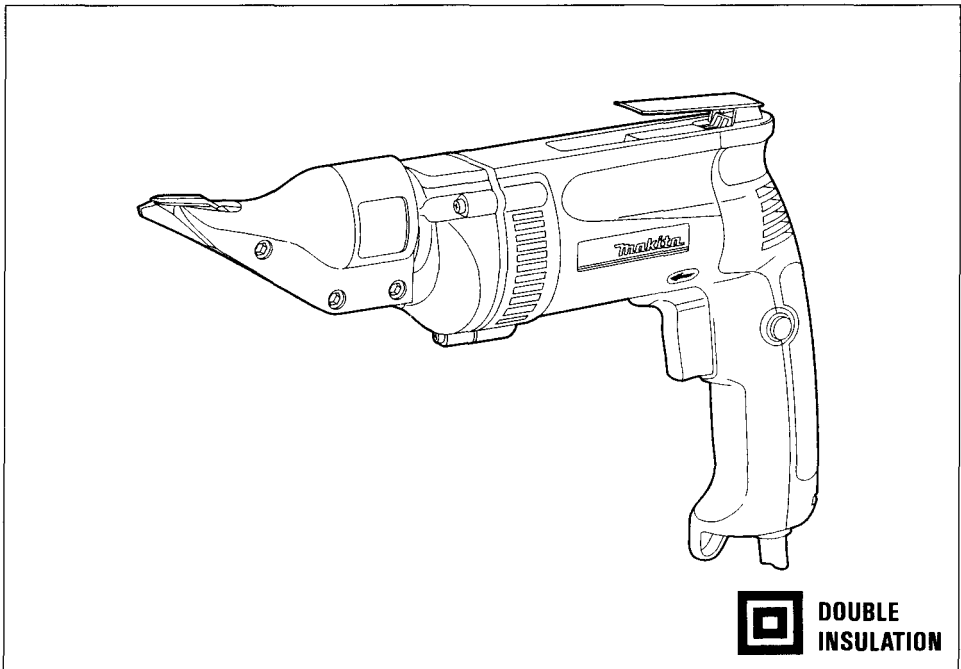




Straight Shear

MODEL JS1300

INSTRUCTION MANUAL



SPECIFICATIONS

Max. cutting capacities			
Steel up to 400 N/mm ²	Steel up to 600 N/mm ²	Steel up to 800 N/mm ²	Aluminum up to 200 N/mm ²
1.3 mm (18 ga.)	1.0 mm (20 ga.)	0.5 mm (26 ga.)	2.5 mm (13 ga.)
Strokes per minute	Overall length	Net weight	
0 – 2,500	302 mm (11-7/8")	1.7 kg (3.7 lbs)	

* Manufacturer reserves the right to change specifications without notice.

* Note: Specifications may differ from country to country.

WARNING: For your personal safety, READ and UNDERSTAND before using.

SAVE THESE INSTRUCTIONS FOR FUTURE REFERENCE.

GENERAL SAFETY RULES

USA002-1

(For All Tools)

WARNING! Read and understand all instructions. Failure to follow all instructions listed below, may result in electric shock, fire and/or serious personal injury.

SAVE THESE INSTRUCTIONS

Work Area

1. **Keep your work area clean and well lit.** Cluttered benches and dark areas invite accidents.
2. **Do not operate power tools in explosive atmospheres, such as in the presence of flammable liquids, gases, or dust.** Power tools create sparks which may ignite the dust or fumes.
3. **Keep bystanders, children, and visitors away while operating a power tool.** Distractions can cause you to lose control.

Electrical Safety

4. **Double Insulated tools are equipped with a polarized plug (one blade is wider than the other.) This plug will fit in a polarized outlet only one way. If the plug does not fit fully in the outlet, reverse the plug. If it still does not fit, contact a qualified electrician to install a polarized outlet. Do not change the plug in any way.** Double insulation eliminates the need for the three wire grounded power cord and grounded power supply system.
5. **Avoid body contact with grounded surfaces such as pipes, radiators, ranges and refrigerators.** There is an increased risk of electric shock if your body is grounded.
6. **Do not expose power tools to rain or wet conditions.** Water entering a power tool will increase the risk of electric shock.
7. **Do not abuse the cord. Never use the cord to carry the tools or pull the plug from an outlet. Keep cord away from heat, oil, sharp edges or moving parts. Replace damaged cords immediately.** Damaged cords increase the risk of electric shock.
8. **When operating a power tool outside, use an outdoor extension cord marked "W-A" or "W."** These cords are rated for outdoor use and reduce the risk of electric shock.

Personal Safety

9. **Stay alert, watch what you are doing and use common sense when operating a power tool. Do not use tool while tired or under the influence of drugs, alcohol, or medication.** A moment of inattention while operating power tools may result in serious personal injury.
10. **Dress properly. Do not wear loose clothing or jewelry. Contain long hair. Keep your hair, clothing, and gloves away from moving parts.** Loose clothes, jewelry or long hair can be caught in moving parts.

11. **Avoid accidental starting. Be sure switch is off before plugging in.** Carrying tools with your finger on the switch or plugging in tools that have the switch on invites accidents.
12. **Remove adjusting keys or wrenches before turning the tool on.** A wrench or a key that is left attached to a rotating part of the tool may result in personal injury.
13. **Do not overreach. Keep proper footing and balance at all times.** Proper footing and balance enables better control of the tool in unexpected situations.
14. **Use safety equipment. Always wear eye protection.** Dust mask, non-skid safety shoes, hard hat, or hearing protection must be used for appropriate conditions.

Tool Use and Care

15. **Use clamps or other practical way to secure and support the workpiece to a stable platform.** Holding the work by hand or against your body is unstable and may lead to loss of control.
16. **Do not force tool. Use the correct tool for your application.** The correct tool will do the job better and safer at the rate for which it is designed.
17. **Do not use tool if switch does not turn it on or off.** Any tool that cannot be controlled with the switch is dangerous and must be repaired.
18. **Disconnect the plug from the power source before making any adjustments, changing accessories, or storing the tool.** Such preventive safety measures reduce the risk of starting the tool accidentally.
19. **Store idle tools out of reach of children and other untrained persons.** Tools are dangerous in the hands of untrained users.
20. **Maintain tools with care. Keep cutting tools sharp and clean.** Properly maintained tools, with sharp cutting edges are less likely to bind and are easier to control.
21. **Check for misalignment or binding of moving parts, breakage of parts, and any other condition that may affect the tools operation. If damaged, have the tool serviced before using.** Many accidents are caused by poorly maintained tools.
22. **Use only accessories that are recommended by the manufacturer for your model.** Accessories that may be suitable for one tool, may become hazardous when used on another tool.

SERVICE

23. **Tool service must be performed only by qualified repair personnel.** Service or maintenance performed by unqualified personnel could result in a risk of injury.
24. **When servicing a tool, use only identical replacement parts. Follow instructions in the Maintenance section of this manual.** Use of unauthorized parts or failure to follow Maintenance Instructions may create a risk of electric shock or injury.

Specific Safety Rules

USB011-2

1. Hold the tool firmly.
2. Secure the workpiece firmly.
3. Keep hands away from moving parts.
4. Edges and chips of the workpiece are sharp. Wear gloves. It is also recommended that you put on thickly bottomed shoes to prevent injury.
5. Do not put the tool on the chips of the workpiece. Otherwise it can cause damage and trouble on the tool.
6. Do not leave the tool running. Operate the tool only when hand-held.
7. Always be sure you have a firm footing.
Be sure no one is below when using the tool in high locations.
8. Do not touch the blade or the workpiece immediately after operation; they may be extremely hot and could burn your skin.
9. Avoid cutting electrical wires. It can cause serious accident by electric shock.

SAVE THESE INSTRUCTIONS.

SYMBOLS

The followings show the symbols used for tool.

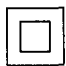
V volts

A amperes

Hz hertz

 alternating current

n_0 no load speed

 Class II Construction

.../min revolutions or reciprocation per minute

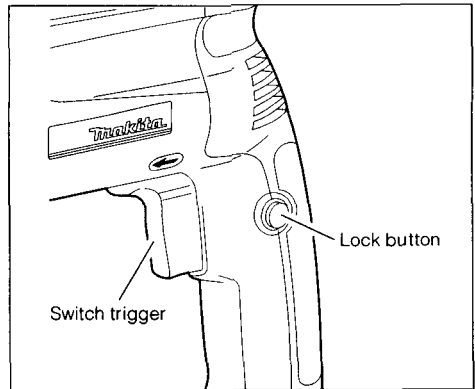
FUNCTIONAL DESCRIPTION

Switch action

CAUTION:

Before plugging in the tool, always check to see that the switch trigger actuates properly and returns to the "OFF" position when released.

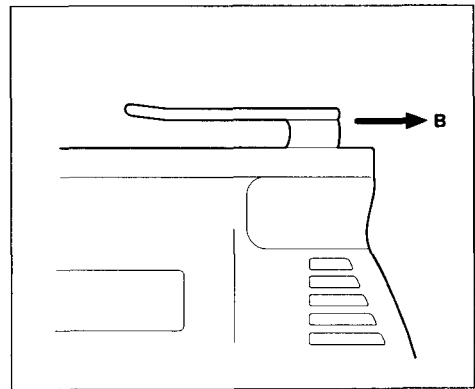
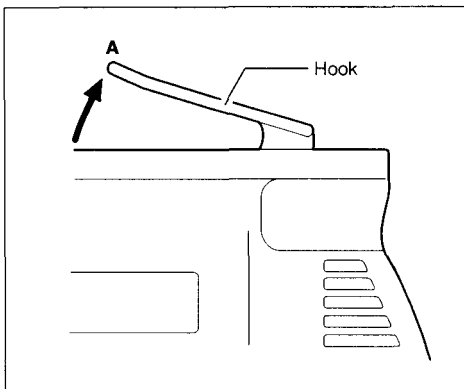
To start the tool, simply pull the trigger. Tool speed is increased by increasing pressure on the trigger. Release the trigger to stop. For continuous operation, pull the trigger and then push in the lock button. To stop the tool from the locked position, pull the trigger fully, then release it.



Hook

The hook is convenient for temporary hanging the tool. When using the hook, pull it out in "A" direction and then push it in "B" direction to secure in place.

When not using the hook, return it back to its initial position by following the above procedures in reverse.



ASSEMBLY

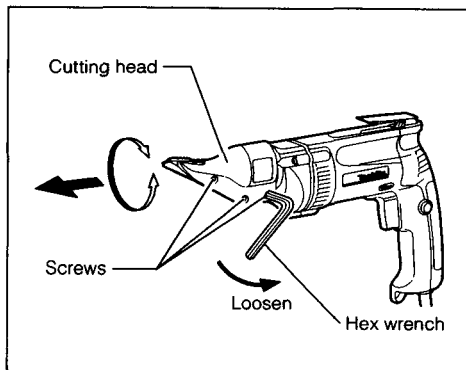
Replacement of blades

CAUTION:

- Always be sure that the tool is switched off and unplugged before replacement of the blades.
- Never remove the blades with bare hands. Wear gloves. Otherwise it can cause injury.

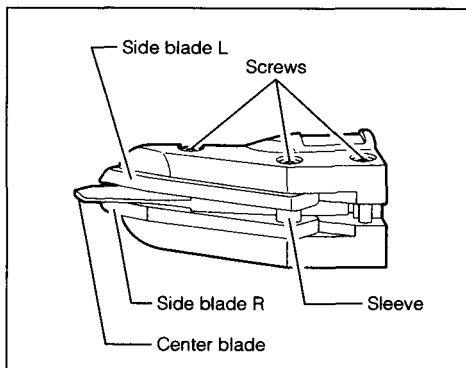
Removing cutting head

Use the hex wrench to loosen the three screws which secure the cutting head. Pull the cutting head straight out to remove it with turning it left and right alternately.



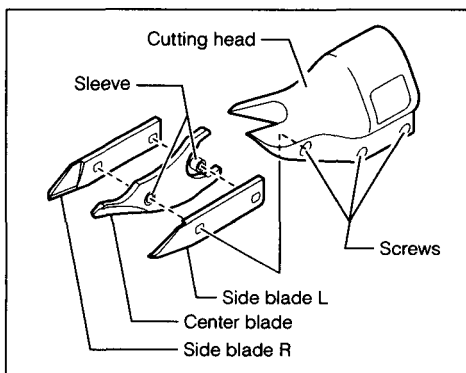
Removing shear blades

Remove the three screws which hold the cutting head. When removing the second screw, be careful not to fall the sleeve. Then the blades can be removed easily. When removing the blades, hold the blades and the sleeve so that they do not fall from the cutting head.



Installing shear blades

Install the sleeve and tighten the center blade, side blade L & R into the cutting head. In this process, the screw heads should be protruding 2 – 3 mm from the cutting head surface. If you will tighten the screws excessively, the cutting head cannot be installed to the tool.

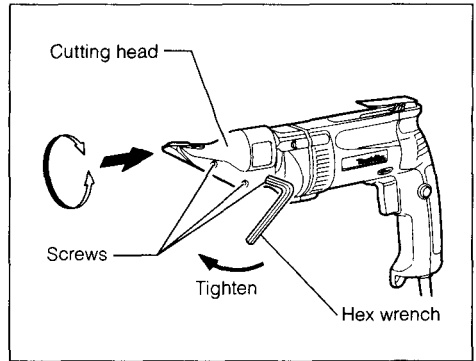


Installing cutting head

CAUTION:

Secure the cutting head firmly. Otherwise it can rotate during operation and can cause serious injury.

Insert the cutting head into the tool with turning it left and right alternately. Then tighten the three screws with the hex wrench.

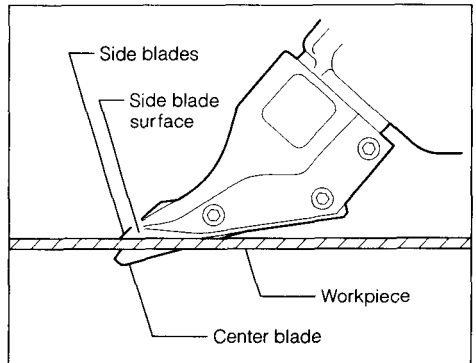


OPERATION

CAUTION:

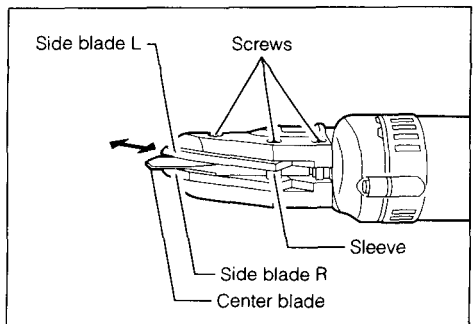
Edges and chips of the workpiece are sharp. Wear gloves. Otherwise it can cause injury.

Secure the workpiece firmly. Move the tool forward keeping the side blades flush with the workpiece surface.



Adjusting shear blade

Adjust the side blade L so that the curl of waste material does not contact the cutting head or the workpiece. Use the hex wrench to loosen the three screws which hold the cutting head. Move the side blade L back and forth to adjust it. Then tighten the three screws with the hex wrench.



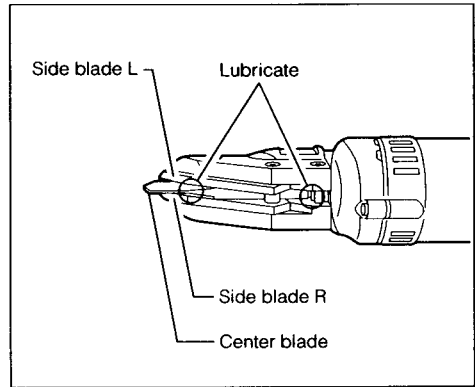
MAINTENANCE

CAUTION:

Always be sure that the tool is switched off and unplugged before attempting to perform inspection or maintenance.

Lubrication

Before operation, lubricate the contact point of the center blade and the side blades R/L. And, also lubricate the point of the center blade near the cutting head. To keep good cutting performance, also use lubricant from time to time during operation.



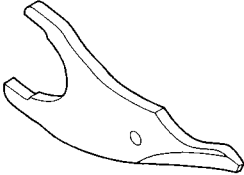
To maintain product SAFETY and reliability, repairs, any other maintenance or adjustment should be performed by Makita Authorized or Factory Service Centers, always using Makita placement parts.

ACCESSORIES

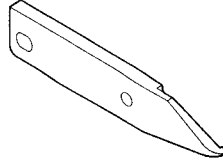
CAUTION:

These accessories or attachments are recommended for use with your Makita tool specified in this manual. The use of any other accessories or attachments might present a risk of injury to persons. The accessories or attachments should be used only in the proper and intended manner.

- **Center blade**



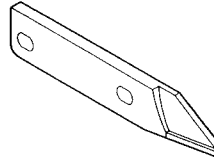
- **Side blade R**

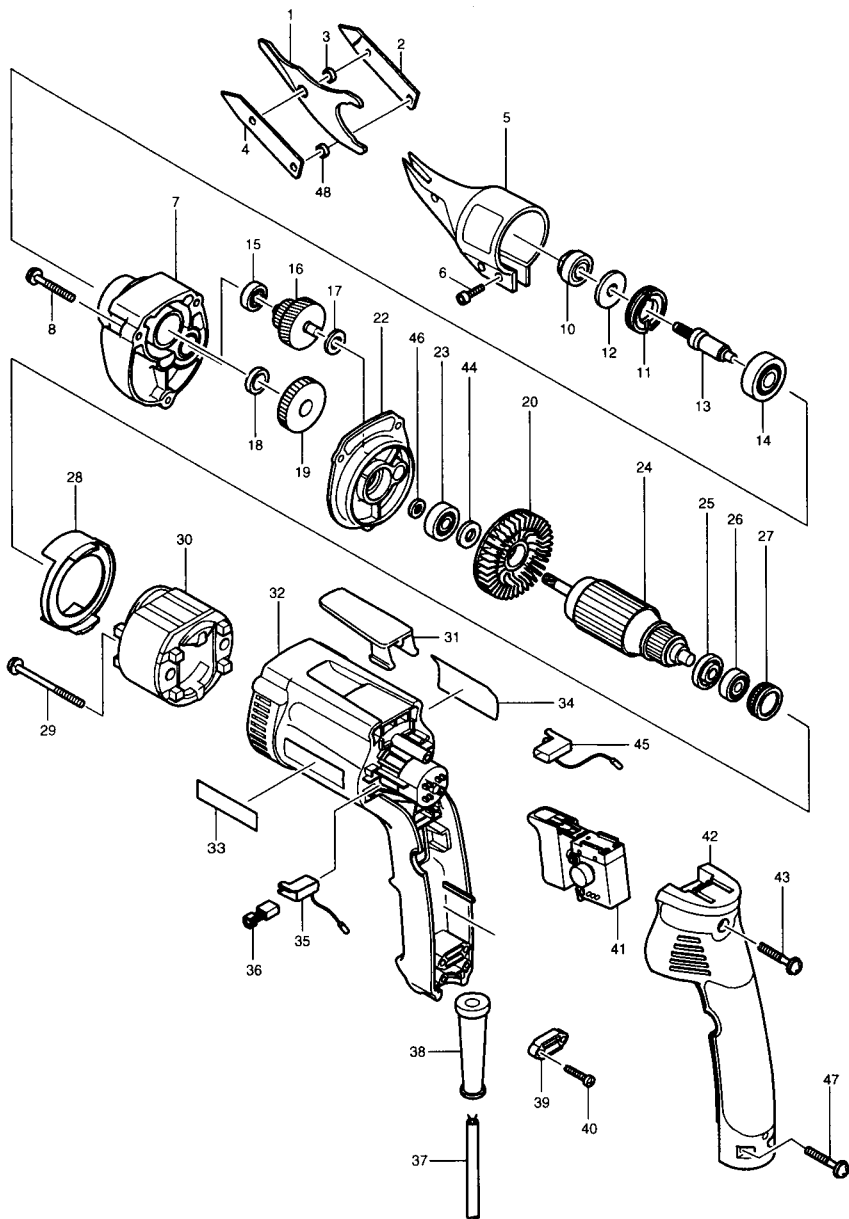


- **Hex wrench**



- **Side blade L**





ITEM NO.	DESCRIPTION	NO. USED
1	CENTER BLADE	1
2	SIDE BLADE R	1
3	SLEEVE 5	1
4	SIDE BLADE L	1
5	CUTTING HEAD COMPLETE	1
6	HEX. SOCKET HEAD BOLT	3
7	GEAR HOUSING	1
8	TAPPING SCREW 4X30	3
10	BEARING ASS'Y	1
11	BEARING RETAINER 19-33	1
12	FLAT WASHER 10	1
13	SPINDLE	1
14	BALL BEARING 6201DDW	1
15	BALL BEARING 606	1
16	GEAR COMPLETE 17-35	1
17	FLAT WASHER 8	1
18	RING 12	1
19	SPUR GEAR 36	1
20	FAN 52	1
22	GEAR HOUSING COVER COMPLETE	1
23	BALL BEARING 608VV	1
24	ARMATURE ASS'Y INC. 20,23,25,26,44	1
25	INSULATION WASHER	1
26	BALL BEARING 607LLB	1
27	RUBBER RING 19	1
28	BAFFLE PLATE	1
29	TAPPING SCREW 4X55	2
30	FIELD	1
31	HOOK	1
32	MOTOR HOUSING	1
33	MAKITA LABEL	1
34	NAME PLATE JS1300	1
35	BRUSH HOLDER	1
36	CARBON BRUSH CB-407	1
37	POWER SUPPLY CORD	1
38	CORD GUARD 8	1
39	STRAIN RELIEF	1
40	TAPPING SCREW 4X18	2
41	SWITCH	1
42	HANDLE COVER COMPLETE	1
43	TAPPING SCREW 4X25	1
44	FLAT WASHER 8	1
45	BRUSH HOLDER	1
46	RING 8	1
47	TAPPING SCREW 4X25	2
48	SLEEVE 5	1

WARNING

Some dust created by power sanding, sawing, grinding, drilling, and other construction activities contains chemicals known [to the State of California] to cause cancer, birth defects or other reproductive harm. Some examples of these chemicals are:

- Lead from lead-based paints,
- Crystalline silica from bricks and cement and other masonry products, and
- Arsenic and chromium from chemically-treated lumber.

Your risk from these exposures varies, depending on how often you do this type of work. To reduce your exposure to these chemicals: work in a well ventilated area, and work with approved safety equipment, such as those dust masks that are specially designed to filter out microscopic particles.

MAKITA LIMITED ONE YEAR WARRANTY

Warranty Policy

Every Makita tool is thoroughly inspected and tested before leaving the factory. It is warranted to be free of defects from workmanship and materials for the period of ONE YEAR from the date of original purchase. Should any trouble develop during this one-year period, return the COMPLETE tool, freight prepaid, to one of Makita's Factory or Authorized Service Centers. If inspection shows the trouble is caused by defective workmanship or material, Makita will repair (or at our option, replace) without charge.

This Warranty does not apply where:

- repairs have been made or attempted by others;
- repairs are required because of normal wear and tear;
- The tool has been abused, misused or improperly maintained;
- alterations have been made to the tool.

IN NO EVENT SHALL MAKITA BE LIABLE FOR ANY INDIRECT, INCIDENTAL OR CONSEQUENTIAL DAMAGES FROM THE SALE OR USE OF THE PRODUCT. THIS DISCLAIMER APPLIES BOTH DURING AND AFTER THE TERM OF THIS WARRANTY.

MAKITA DISCLAIMS LIABILITY FOR ANY IMPLIED WARRANTIES, INCLUDING IMPLIED WARRANTIES OF "MERCHANTABILITY" AND "FITNESS FOR A SPECIFIC PURPOSE," AFTER THE ONE-YEAR TERM OF THIS WARRANTY.

This Warranty gives you specific legal rights, and you may also have other rights which vary from state to state. Some states do not allow the exclusion or limitation of incidental or consequential damages, so the above limitation or exclusion may not apply to you. Some states do not allow limitation on how long an implied warranty lasts, so the above limitation may not apply to you.

Makita Corporation

3-11-8, Sumiyoshi-cho,
Anjo, Aichi 446-8502 Japan

884341-062

PRINTED IN JAPAN

2000-9N

Free Manuals Download Website

<http://myh66.com>

<http://usermanuals.us>

<http://www.somanuals.com>

<http://www.4manuals.cc>

<http://www.manual-lib.com>

<http://www.404manual.com>

<http://www.luxmanual.com>

<http://aubethermostatmanual.com>

Golf course search by state

<http://golfingnear.com>

Email search by domain

<http://emailbydomain.com>

Auto manuals search

<http://auto.somanuals.com>

TV manuals search

<http://tv.somanuals.com>