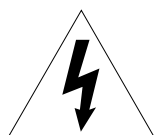
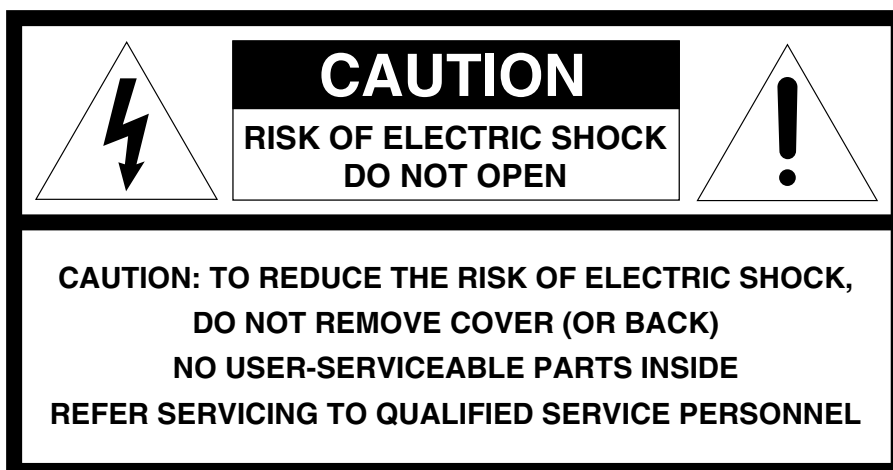


marantz®

Model MA6100 User Guide

Mono Amplifier



The lightning flash with arrowhead symbol, within an equilateral triangle, is intended to alert the user to the presence of uninsulated "dangerous voltage" within the product's enclosure that may be of sufficient magnitude to constitute a risk of electric shock to persons.



The exclamation point within an equilateral triangle is intended to alert the user to the presence of important operating and maintenance (servicing) instructions in the literature accompanying the appliance.

WARNING

**TO REDUCE THE RISK OF FIRE OR ELECTRIC SHOCK,
DO NOT EXPOSE THIS APPLIANCE TO RAIN OR MOISTURE.**

**CAUTION: TO PREVENT ELECTRIC SHOCK, MATCH WIDE
BLADE OF PLUG TO WIDE SLOT, FULLY INSERT.**

**ATTENTION: POUR ÉVITER LES CHOCS ÉLECTRIQUES,
INTRODUIRE LA LAME LA PLUS LARGE DE LA
FICHE DANS LA BORNE CORRESPONDANTE DE LA
PRISE ET POUSSER JUSQU'AU FOND.**

SAFETY INSTRUCTIONS

READ BEFORE OPERATING EQUIPMENT

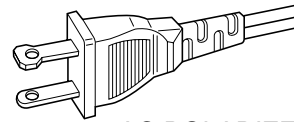
This product was designed and manufactured to meet strict quality and safety standards. There are, however, some installation and operation precautions which you should be particularly aware of.

1. **Read Instructions** — All the safety and operating instructions should be read before the appliance is operated.
2. **Retain Instructions** — The safety and operating instructions should be retained for future reference.
3. **Heed Warnings** — All warnings on the appliance and in the operating instructions should be adhered to.
4. **Follow Instructions** — All operating and use instructions should be followed.
5. **Water and Moisture** — The appliance should not be used near water—for example, near a bathtub, wash-bowl, kitchen sink, laundry tub, in a wet basement, or near a swimming pool, etc.
6. **Carts and Stands** — The appliance should be used only with a cart or stand that is recommended by the manufacturer.
7. An appliance and cart combination should be moved with care. Quick stops, excessive force, and uneven surfaces may cause the appliance and cart combination to overturn.



8. **Wall or Ceiling Mounting** — The appliance should be mounted to a wall or ceiling only as recommended by the manufacturer.
9. **Ventilation** — The appliance should be situated so that its location or position does not interfere with its proper ventilation. For example, the appliance should not be situated on a bed, sofa, rug, or similar surface that may block the ventilation openings; or, placed in a built-in installation, such as a bookcase or cabinet that may impede the flow of air through the ventilation openings.
10. **Heat** — The appliance should be situated away from heat sources such as radiators, heat registers, stoves, or other appliances (including amplifiers) that produce heat.
11. **Power Sources** — The appliance should be connected to a power supply only of the type described in the operating instructions or as marked on the appliance.

12. **Grounding or Polarization** — Precautions should be taken so that the grounding or polarization means of an appliance is not defeated.



AC POLARIZED PLUG

13. **Power-Cord Protection** — Power-supply cords should be routed so that they are not likely to be walked on or pinched by items placed upon or against them, paying particular attention to cords at plugs, convenience receptacles, and the point where they exit from the appliance.
14. **Cleaning** — The appliance should be cleaned only as recommended by the manufacturer.
15. **Power Lines** — An outdoor antenna should be located away from power lines.
16. **Nonuse Periods** — The power cord of the appliance should be unplugged from the outlet when left unused for a long period of time.
17. **Object and Liquid Entry** — Care should be taken so that objects do not fall and liquids are not spilled into the enclosure through openings.
18. **Damage Requiring Service** — The appliance should be serviced by qualified service personnel when:
 - A. The power-supply cord or the plug has been damaged; or
 - B. Objects have fallen, or liquid has spilled into the appliance; or
 - C. The appliance has been exposed to rain; or
 - D. The appliance does not appear to operate normally or exhibits a marked change in performance; or
 - E. The appliance has been dropped, or the enclosure damaged.
19. **Servicing** — The user should not attempt to service the appliance beyond that described in the operating instructions. All other servicing should be referred to qualified service personnel.

1. INTRODUCTION

Thank you for purchasing the Marantz MA6100 power amplifier for your sound system. Please take a few minutes to read this manual thoroughly, before you attempt connections and operation.

The Marantz MA6100 is a monophonic (single channel) amplifier, that is designed for home theater and high quality audio systems.

2. FEATURES

- The MA6100 is a monaural power amplifier developed for use in hi-fi AV systems.
- It is a high-power power amplifier with all-discrete circuit configuration with rated outputs of 125 W/8-ohms.
- It is designed with narrow panel area to reduce the installation area. The width becomes 17-3/8 inches (440 mm) when 5 units are placed side by side.
- The small space requirement is ideal for use as an extension amplifier for AV components such as a Dolby Digital Surround processor.
- It is provided with the MARANTZ remote control capability so its power can be controlled from a MARANTZ preamplifier or integrated amplifier (MARANTZ remote control compatible products).
- The power of the unit can be switched by remote control using a video signal or DC signal.

* THX



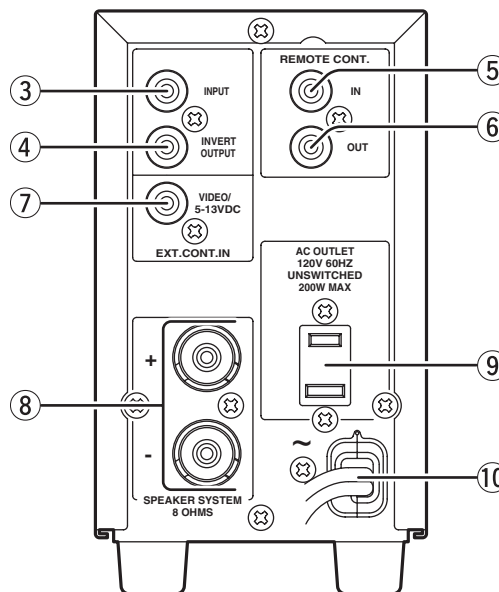
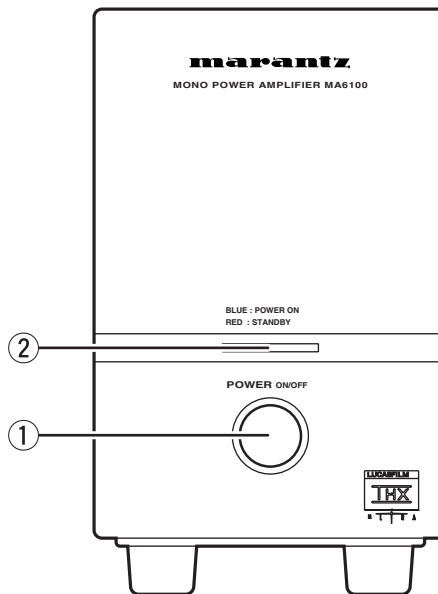
THX is an exclusive set of standards and technologies established by the world-renowned film production company, Lucasfilm Ltd. THX grew from George Lucas' personal desire to make your experience of the film soundtrack, in both movie theatres and in your home theatre, as faithful as possible to the master recording.

Before any home theatre component can be THX Ultra certified, it must pass a rigorous series of quality and performance tests. Only then can a product feature the THX Ultra logo, which is your guarantee that the Home Theatre products you purchase will give you superb performance for many years to come.

Home THX Amplifiers

With today's superior quality but exceptionally complex audio systems it is important to ensure that noise, distortion and frequency response errors are negligible in all links in the audio chain. With discrete multichannel sources it is especially important that maximum power is instantly available without instability, rise in distortion or other undesirable side affects. THX Ultra requirements cover every performance aspect of this product including operation, output power levels, gain, frequency response and numerous other parameters. Whether you choose music or movies, multichannel or stereo, this amplifier will be supremely flexible, easy to use, sonically transparent and absolutely reliable.

3. NAMES AND FUNCTIONS



① POWER switch

Press the button to turn power on (POWER ON mode), and press it again to turn power off (POWER OFF mode). When it is required to remote control the power mode of the MA6100, be sure to leave this switch in the POWER ON mode.

② POWER ON/STANDBY indicator

A POWER ON/ STANDBY indicator, the indicator glow red when the unit is in Standby mode and blue when the unit is On.

③ Audio INPUT jack

Connect the preamplifier output to this jack.

④ Audio INVERT OUTPUT jack

This jack is for output of signal which was inverted from the normal input signal.

⑤ REMOTE CONT. IN jack

Connect with the remote control output jack of a component which is compatible with MARANTZ remote control system. The remote control allows to switch the power of the MA6100 between the "POWER ON" mode and "STANDBY" mode.

⑥ REMOTE CONT. OUT jack

Connect with the remote control input jack of a component which is compatible with MARANTZ remote control system.

⑦ EXT. CONT IN jack

Not connected when the power is to be controlled from a MARANTZ remote control unit.

Connect to the video signal output of a video component when the power is to be controlled based on a video signal.

The external control allows to switch the "POWER ON" and "STANDBY" modes of the unit according to the "presence" and "absence" of video signal.

When the video signal becomes absent while the power of the unit is on, it enters the "STANDBY" mode in about 4 seconds; the unit enters the "POWER ON" mode again when the video signal is input again.

As the control data of the EXT. CONT IN jack is also output at the REMOTE CONT. OUT jack, the MA6100 units connected after this unit can also be switched between the "POWER ON" and "STANDBY" modes.

Leave Power switch ① in the ON position.

* External control using a signal from 5 to 13 V in place of video signal is also possible using this jack. However, as this scheme belongs to the professional use, please consult MARANTZ if you want to adopt such an external control scheme.

⑧ SPEAKER SYSTEM terminals

Connect with speakers using speaker cords. Respect the + and - polarity when connecting speakers. Use speakers with an impedance of 8 to 16 ohms.

⑨ AC OUTLET

This receptacle supplies AC power regardless of the power switch setting.

The total power consumption of the equipment connected to this receptacle should not exceed 200 W.

If you want to connect the MA6100, you can connect only one unit here. Do not connect more than one MA6100 in series.

⑩ Power cord

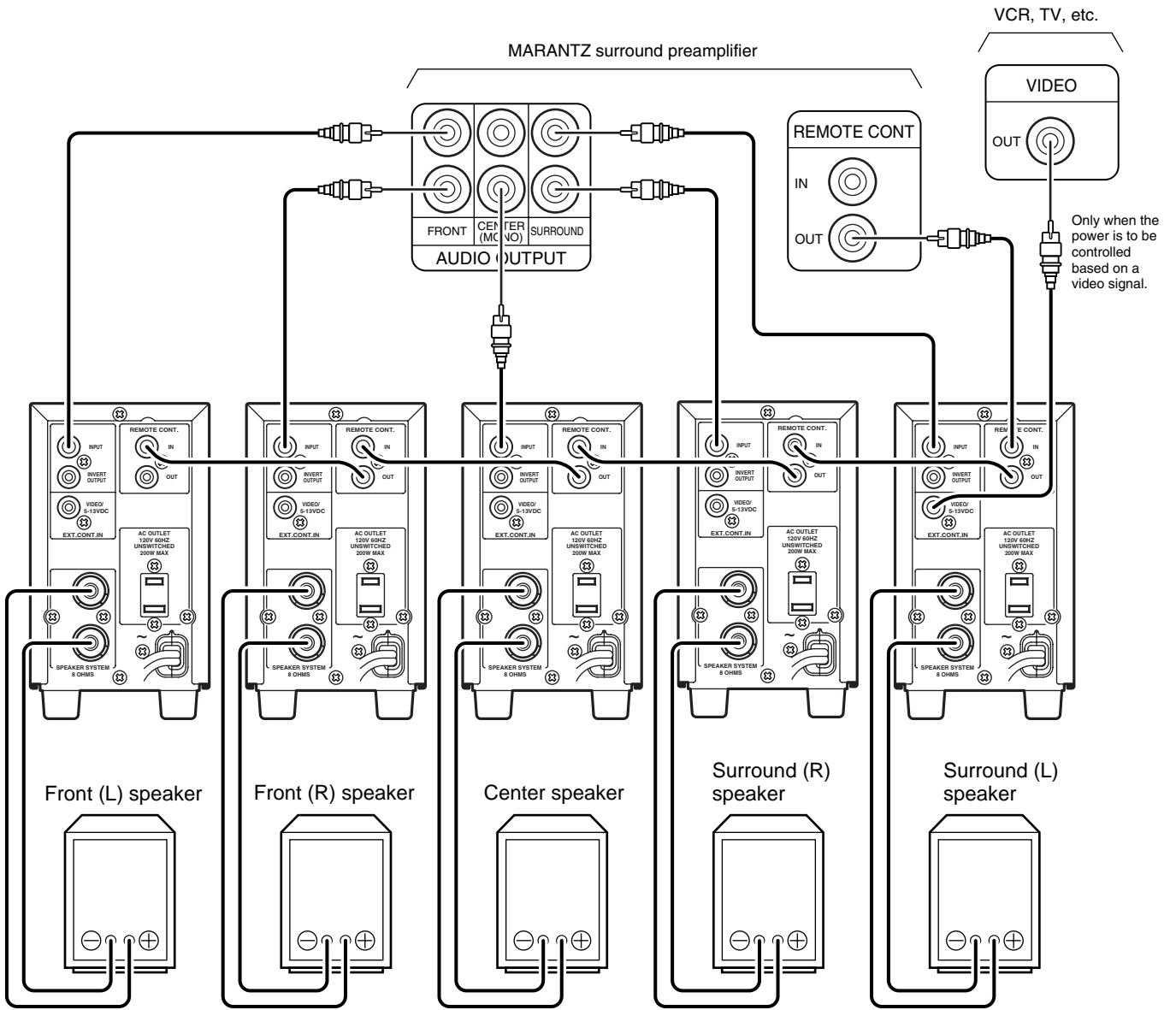
Insert the plug at the extremity of the power cord into a 120 V AC household AC outlet.

To Enjoy sound with a higher quality, it is recommended to match the power connection polarity with other components. The white-lined wire of the power cord is the neutral (GND) wire.

4. CONNECTIONS

Connection for a 5-channel system

ENGLISH



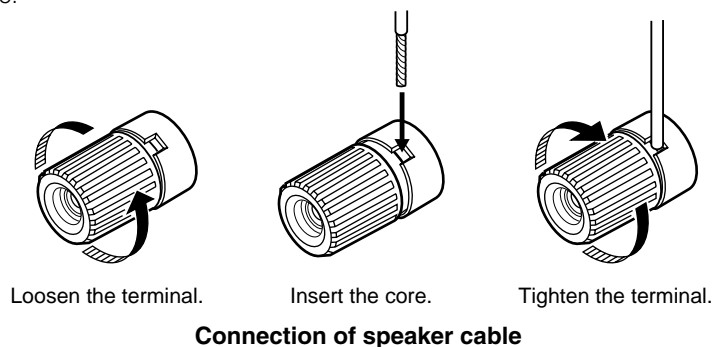
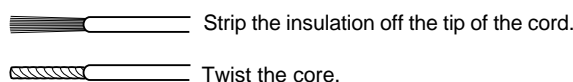
5. SPEAKER CONNECTION

This equipment, being a high audio output power amplifier, has a hazardous energy at its speaker terminal. Please be sure to make an appropriate speaker connection according to the following procedures:

- * Confirm that the power switch of the equipment is at "OFF" position. If it is at "ON", turn it to "OFF" position to connect a speaker cable.
- * Use a speaker cable with the flame retardant rating of Type SPT-2 or more.
- * Don't strip the insulation off more than shown in the figure, at the speaker terminal connection of speaker cable.

- * Connect speakers in correct polarity, according to the indication for the polarity of speaker terminals.
- * Connect a speaker cable to the speaker terminal in such the condition that the insulated part more than 1.6 mm of the speaker cable is inserted into the terminal and that the bare core of the speaker cable is never exposed outside the terminal.
- * Prevent any stress from being applied to the speaker cable connected to the speaker terminal.
- * Don't touch the speaker terminals during operation.

Speaker cable (Type SPT-2)



6. CARE AND MAINTENANCE

This section describes the care and maintenance tasks that must be performed to optimize the operation of your Marantz equipment.

CLEANING OF EQUIPMENT EXTERNAL SURFACES

The exterior finish of your unit will last indefinitely with proper care and cleaning. Never use scouring pads, steel wool, scouring powders or harsh chemical agents (e.g., lye solution), alcohol, thinners, benzene, insecticide or other volatile substances as these will mar the finish of the equipment. Likewise, never use cloths containing chemical substances. If the equipment gets dirty, wipe the external surfaces with a soft, lint-free cloth.

If the equipment becomes heavily soiled:

- dilute some washing up liquid in water, in a ratio of one part detergent to six parts water.
- dip a soft, lint free cloth in the solution and wring the cloth out until it is damp.
- wipe the equipment with the damp cloth.
- dry the equipment by wiping it with a dry cloth.

7. REPAIRS

Only the most competent and qualified technicians should be allowed to service your unit. Marantz and its factory trained warranty station personnel have the knowledge and special equipment needed for repair and calibration of this precision instrument.

In the event of difficulty, call the toll-free telephone number listed on the face of the warranty to obtain the name and address of the Marantz Authorized Service Center nearest you. In many cases, the dealer where you purchased your Marantz unit may be equipped to provide service. Please include the model, serial number of your unit together with a copy of your purchase receipt and a full description of what you feel is abnormal in its behavior.

8. TROUBLESHOOTING

The amplifier does not operate and the POWER ON indicator does not light.

- Is the power cable plugged in properly to the AC power outlet?

The POWER ON indicator lights, but the amplifier does not function.

- Are speaker cables and input cables connected properly?

9. SPECIFICATION

Power output (20 Hz ~ 20 kHz)	125 W	8-ohms
Distortion	0.02 %	
Frequency response (-1 dB)	10 Hz to 70 kHz	
S/N ratio (A-weight)	110 dB	
Damping factor (1 kHz)	60	
Power supply	120 V AC, 60 Hz	
Power consumption	230 W	
	(Stand-by)	2.5 W

Dimensions

Width	3-1/2 inches (88 mm)
Height	5-3/4 inches (146 mm)
Depth	18-9/16 inches (470 mm)
Weight	12.6 lbs (5.7 kg)

Accessories

Remote control cable	x 1
----------------------------	-----

Design and specifications are subject to change without notice.

1. INTRODUCTION

Nous vous félicitons d'avoir port* votre choix sur cet amplificateur de puissance pour votre chaîne audio. Veuillez prendre la peine d lire attentivement et com-plètement le présent mode d'emploi avant de raccorder et d'utiliser votre nouvel appareil.

Le MA6100 de Marantz est un amplificateur de puissance monaural (une seule voie) conçu pour les chaînes audio et audio/vidéo de salon.

2. PARTICULARITES

- L'amplificateur monophonique MA6100 est conçu pour les chaînes audiovisuelles haute fidélité.
- C'est un appareil qui ne comporte que des circuits discrets et qui est capable de produire une puissance élevée: 125 Watts/8 Ohms.
- Sa conception à panneau étroit réduit la surface d'installation. La largeur de cinq appareils montés côte à côte n'atteint que 440 mm.
- Le faible encombrement de cet amplificateur en fait un appareil idéal comme complément d'éléments audiovisuels tels qu'un processeur Dolby Digital Surround.
- Il est prévu pour la télécommande MARANTZ, autrement dit la puissance de sortie peut être réglée à partir d'un préamplificateur ou d'un amplificateur intégré MARANTZ (appareils compatibles avec la télécommande MARANTZ).
- La mise en service de l'appareil peut être commandée à distance au moyen d'un signal vidéo ou d'une tension continue.
- Agréé THXR

* THX



THX est un ens.emble exclusif de normes et de technologies établi par la société de production cinématographique Lucasfilm Ltd. de renommée mondiale. THX a été développé grâce à George Lucas qui a désiré que la reproduction des bandes son de films, à la fois dans les cinémas et dans les systèmes de cinéma à domicile, soit aussi fidèle que possible à l'enregistrement original.

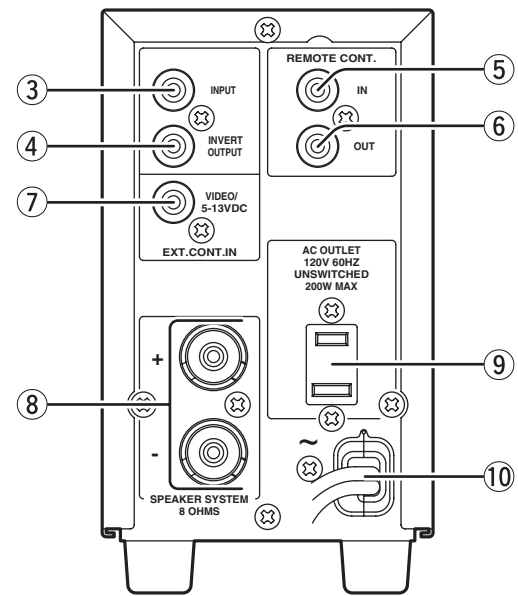
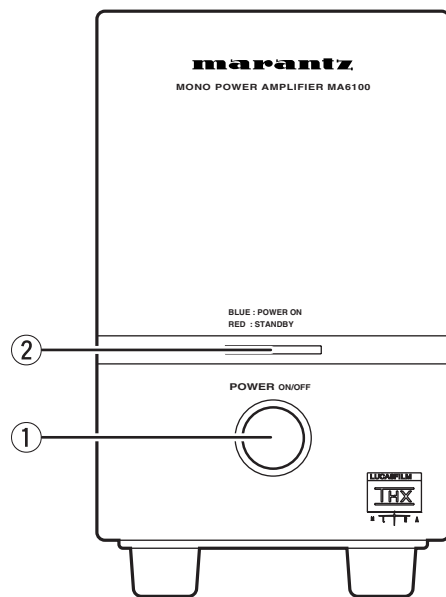
Avant qu'un composant de cinéma à domicile puisse être breveté THX Ultra, il doit subir avec succès toute une série de tests stricts de qualité et de performances. Ce n'est qu'ensuite qu'un produit peut porter le logo THX Ultra, qui est la garantie que les produits de cinéma à domicile que vous achetez vous donneront d'excellentes performances pendant de nombreuses années.

Amplificateurs THX pour la maison

Avec les systèmes audio de qualité supérieure mais exceptionnellement complexes actuels, il est important de garantir que les parasites, la distorsion et les erreurs de réponse en fréquence soient négligeables dans tous les éléments d'une chaîne audio. Avec les sources multicanaux discrets, il est tout particulièrement important que la puissance maximum soit disponible instantanément, sans instabilité, augmentation de la distorsion ou autres effets secondaires indésirables.

Les spécifications THX Ultra couvrent tous les aspects des performances de ce produit, y compris ses fonctionnement, niveaux de puissance de sortie, gain, réponse en fréquence et de nombreux autres paramètres. Que vous choisissiez la musique ou des films, multicanaux ou stéréo, cet amplificateur est totalement polyvalent, facile à utiliser, acoustiquement transparent et absolument fiable.

3. NOMET ROLE DES COMMANDES



① Interrupteur d'alimentation

Appuyez sur cette touche pour mettre l'appareil en service (POWER ON); une nouvelle pression sur la même touche met l'appareil hors service (POWER OFF). Pour que la commande à distance de la mise en service de l'amplificateur MA6100 soit possible, il faut conserver l'interrupteur sur la position POWER ON.

② Témoin POWER ON/STANDBY

C'est le témoin d'appareil en service/en veille (POWER ON/STANDBY). Il est rouge lorsque l'appareil est en mode de veille et bleu lorsqu'il est en service.

③ Prise audio INPUT

Cette prise est destinée à recevoir le signal fourni par la sortie du préamplificateur.

④ Prise audio INVERT OUTPUT

Cette prise permet de disposer en sorte d'un signal inverse du signal d'entrée normal.

⑤ Prise REMOTE CONT. IN

Reliez cette prise à la prise de sortie de télécommande de l'appareil MARANTZ associé prévu pour la télécommande d'ensemble.

La télécommande permet de mettre l'amplificateur MA6100 en service (POWER ON) ou en veille (STANDBY).

⑥ Prise REMOTE CONT. OUT

Reliez cette prise à la prise d'entrée de télécommande de l'appareil MARANTZ associé prévu pour la télécommande d'ensemble.

⑦ Prise EXT. CONT IN

Cette prise est laissée libre lorsque l'alimentation doit être mise en service à partir d'une télécommande MARANTZ.

Si l'alimentation doit être commandée par un signal vidéo, appliquez ici le signal vidéo présent en sortie d'un appareil vidéo.

Cette prise de commande extérieure permet de placer l'appareil en service (POWER ON) ou en veille (STANDBY) selon qu'un signal vidéo est présent ou absent. Si, l'appareil étant en service, le signal vidéo disparaît, l'appareil adopte le mode de veille (STANDBY) dans les 4 secondes qui suivent; il revient en service (POWER ON) lorsque le signal vidéo est à nouveau présent.

Etant donné que les signaux présents sur la prise EXT. CONT IN le sont également sur la prise REMOTE CONT. OUT, les amplificateurs MA6100 reliés à celui-ci peuvent également passer de la mise en service (POWER ON) à la veille (STANDBY).

Conservez l'interrupteur d'alimentation ① sur la position ON.

*Cette prise permet aussi d'effectuer une commande à l'aide d'un signal extérieur de tension comprise entre 5 et 13 V, et non plus à l'aide d'un signal vidéo. Cette manière de procéder est, en général, réservée à un usage professionnel. Consultez le distributeur MARANTZ si vous désirez procéder de cette manière.

⑧ Prises SPEAKER SYSTEM

Reliez ces prises aux enceintes acoustiques au moyen de cordons de liaison. Respectez soigneusement les polarités + et -.

Utilisez des enceintes dont l'impédance est comprise entre 8 et 16 Ohms.

⑨ AC OUTLET

Cette prise fournit la tension alternative quelle que soit la position de l'interrupteur.

La puissance consommée par un appareil relié à cette prise ne doit pas dépasser 200 Watts.

A titre d'exemple, vous ne pouvez brancher qu'un amplificateur MA6100 sur cette prise. Ne branchez pas plus d'un amplificateur MA6100 en série.

⑩ Cordon d'alimentation

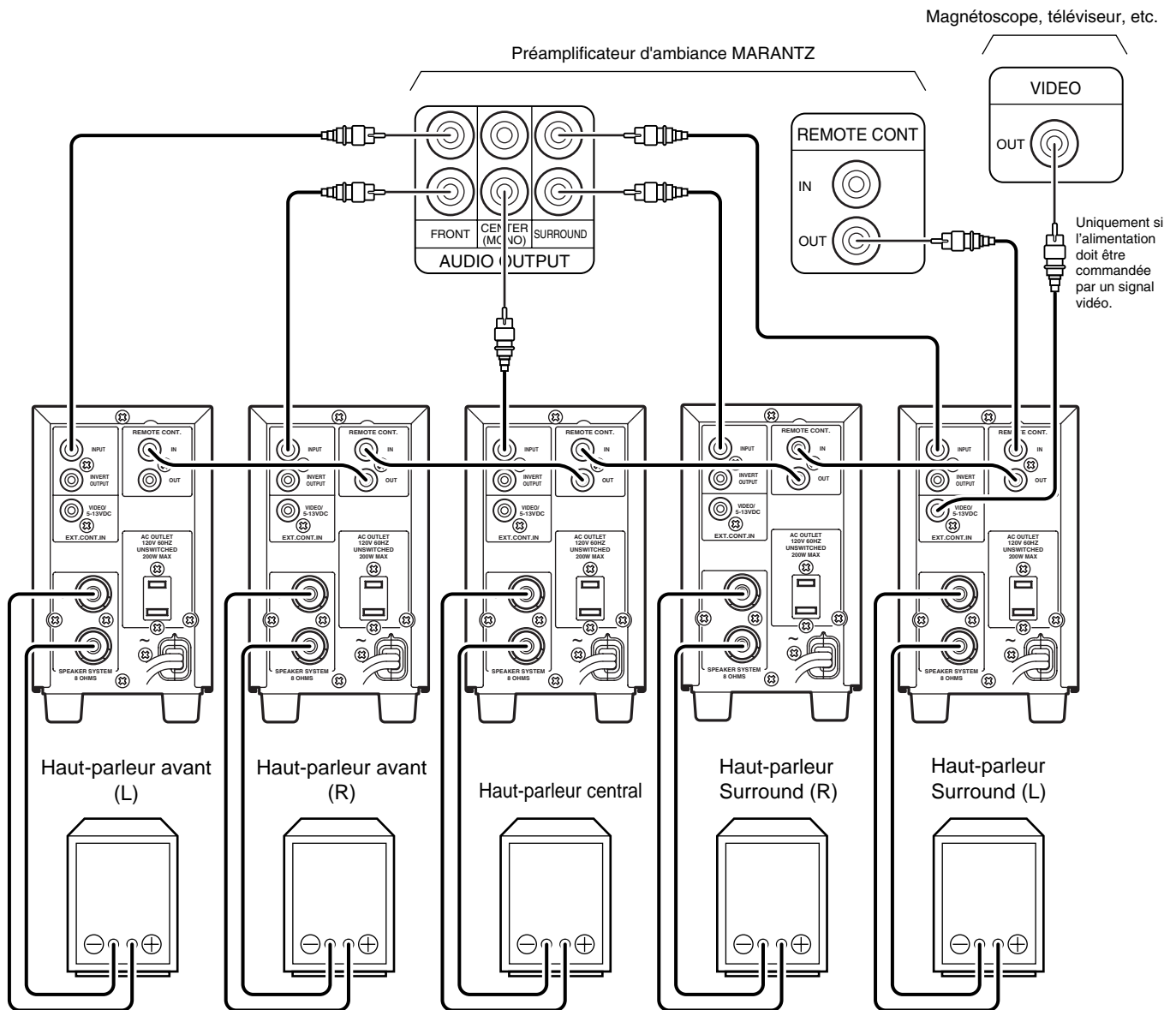
Introduisez la fiche du cordon d'alimentation dans une prise secteur de 120 Volts.

Pour améliorer la qualité du signal sonore, nous conseillons de veiller à ce que la fiche de chaque appareil occupe la même position. Pour vous aider en cela, le cordon d'alimentation porte un filet blanc qui repère le conducteur de neutre (GND).

4. RACCORDEMENTS

Branchement pour un système à 5 voies

FRANÇAIS

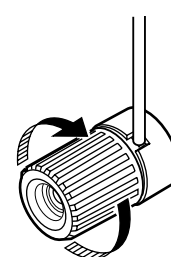
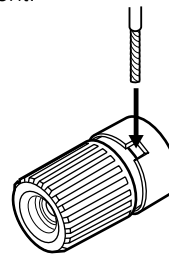
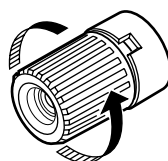
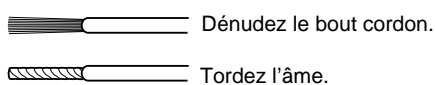


5. CONNEXION DE HAUT-PARLEUR

Cet appareillage, en tant qu'amplificateur à grande puissance de sortie, contient une énergie très dangereuse au niveau des bornes de haut-parleur. Veuillez prendre soin de faire une connexion de haut-parleur en respectant les instructions suivantes:

- * Vérifiez que l'interrupteur d'alimentation de l'appareillage est en position d'arrêt (OFF). S'il est en position de marche (ON), mettez-le en position d'arrêt (OFF) pour brancher un câble de haut-parleur.
- * Utilisez un câble de haut-parleur avec un indice ignifuge du type SPT-2 ou plus.
- * N'enlevez pas plus d'isolement que ce qui est illustré dans la figure en branchant le câble de haut-parleur à la borne de haut-parleur.

Câble de haut-parleur (type SPT-2)



Connexion du câble de haut-parleur

- * Respectez l'ordre indiqué des polarités des bornes, en branchant les haut-parleurs.
- * Branchez un câble de haut-parleur à la borne de haut-parleur de façon à ce que 1.6 mm de la partie isolée soit introduite dans la borne et que l'âme nue du câble de haut-parleur ne soit jamais exposée en dehors de la borne.
- * Evitez toute surcharge du câble de haut-parleur branché à la borne de haut-parleur.
- * Ne touchez pas les bornes de haut-parleur pendant le fonctionnement.

6. ENTRETIEN

Ce chapitre décrit les soins et travaux d'entretien pour optimiser le fonctionnement de cet appareil Marantz.

NETTOYAGE DES SURFACES EXTERNES DE L'APPAREIL

La finition externe de cet appareil Marantz durera indéfiniment si l'on en prend soin et si certaines précautions sont observées lors de son nettoyage. En aucun cas on n'utilisera un tampon abrasif, laine de verre, poudre à récurer, produit chimique corrosif (tel que soude caustique), alcool, dissolvant, insecticide ou autre substance volatile, car ils pourraient abîmer la finition de l'appareil. De même, ne jamais utiliser de chiffons contenant des substances chimiques. Si l'appareil est souillé, nettoyer ses surfaces extérieures avec un chiffon doux non pelucheux.

Si l'appareil est très sale:

- diluer du détergent pour vaisselle dans de l'eau dans un rapport d'une partie de détergent pour six parties d'eau.
- tremper un linge doux et non pelucheux dans la solution et le tordre pour qu'il ne soit pas trop mouillé.
- frotter l'appareil avec le linge humidifié.
- sécher l'appareil en l'essuyant avec un chiffon sec.

7. REPARATIONS

Seuls des techniciens compétents et qualifiés doivent être autorisés à réparer votre appareil. Marantz et son personnel formé en usine ont les connaissances et l'équipement spécial nécessaires aux réparations et réglages de cet instrument de précision.

Dans le cas d'un problème, appeler le numéro de téléphone gratuit dont la liste se trouve sur la page de la garantie pour obtenir le nom et l'adresse du centre de service Marantz autorisé le plus proche de votre domicile. Dans de nombreux cas, le concessionnaire chez lequel vous avez acheté votre appareil Marantz sera équipé pour vous offrir ce service. Veuillez inclure le numéro de modèle et de série de votre appareil ainsi qu'une copie de votre reçu d'achat et une description complète de ce que vous pensez être anormal dans le fonctionnement.

8. EN CAS D'ANOMALIE

L'amplificateur ne fonctionne pas et le témoin POWER ON ne s'allume pas.

- Le câble d'alimentation est-il convenablement raccordé à une prise secteur?

Le témoin POWER ON est allumé mais l'amplificateur ne fonctionne pas.

- Les câbles de haut-parleur et de signaux d'entrée sont-ils raccordés correctement?

9. CARACTERISTIQUES TECHNIQUES

Puissance nominale de sortie (20 Hz ~ 20 kHz)	125 W eff., 8 ohms
Distorsion	0.02 %
Réponse en fréquence (-1 dB)	10 Hz à 70 kHz
Rapport S/B (A-weight)	110 dB
Facteur d'amortissement (1 kHz)	60
Alimentation	120 V, 60 Hz
Consommation	230 W
	(STAND BY) 2.5 W

Dimensions

Largeur	88 mm
Hauteur	146 mm
Profondeur	470 mm
Poids	5.7 kg

Accessoires

Câble de télécommande	x 1
-----------------------------	-----

Les caractéristiques et la présentation peuvent être modifiées sans avis préalable.

COUNTRY	COMPANY	ADDRESS
ALGERIE	Azur 2000	8, Lotissement Ben Hatadi, Alger, Algerie
ARMENIA	NGYIG Ltd.	47 A/75 St. Lalaïants, 375000 Yerevan, Armenia
AUSTRALIA	Jamo Australia Pty. Ltd.,	24 Lionel Road, Mt. Waverley, VIC 3149, Australia
AUSTRIA	Huber & Prohaska GmbH	Taborstraße 95 / Ladestraße 1, Gebäude Hangartner, A-1200 Wien, Austria
BAHREIN	Ambassador Stores	P.O. Box 237,141, Government Avenue, Manama,Bahrein
BANGLADESH	Target	1078, Ramjoy Mohanja Lane Asadgonj, Chittagong 4000, Bangladesh
BELGIUM	Van der Heyden Audio N.V.	Brusselbaan 278, 9320 Erembodegem, Belgium
BULGARIA	Ariescommerce GmbH	Makedonia Blvd. 16, 1606 Sofia, Bulgaria
CANADA	Lenbrook Industries Limited	633 Granite Court, Pickering, Ontario
CHINA	Guang Chang Audio International Co., Ltd.	No.38 Yushan Road, ShiQiao, Pan Yu, Guang Dong, China
CYPRUS	Empire Hifi systems Ltd.	P.O. Box 5604, Nicosia, Cyprus
CZECH REPUBLIC	Audio International	Sokolska 41, 67902 Rajecko, OKR,Blansko, Czech Republic
DENMARK	Audio Nord	Dali Allé 1, 9610 Noerager, Denmark
DUBAI	V.V.& SONS	P.O. Box 105, Dubai, U.A.E.
EGYPT	Solimco	9, El Attibaa St. Doki, Cairo, Egypt
ESTONIA	HiFi Club Estonia	Ehte 4, 90503 Haapsalu, Estonia
F.Y.R.O.M.	T.P. KODI	ul.Cedomir Kantargiev 21a, Skopje, Former Yugoslavian Republic of Macedonija
FINLAND	Audio Nord	Uudenmaankatu 4-6, Helsinki SF-00120, Finland
FRANCE	Marantz France	A division of Marantz Europe B.V., P.O. Box 301, 92 156 Suresnes Cedex, France
GERMANY	Marantz Deutschland	Hakenbusch 3, 49078 Osnabrück, Germany
GREECE	Adamco S.A.	188, Hippocratous Street, 11471 Athens, Greece
HEADQUARTERS EUROPE:	Marantz Europe B.V.	Building SFF-2, P.O. Box 80002, 5600 JB Eindhoven, The Netherlands
HONG KONG	Marantz Asia Ltd.	Unit 1706, Metroplaza II, 223 Hing Fong Road, Kwai Fong, N.T., Kowloon, Hong Kong
HUNGARY	Infovox Ltd.	Terez Krt.31, 1067 Budapest, Hungary
ICELAND	ID Electronics Ltd.	Armula 38, 108 Reykjavik, Iceland
INDIA	NOVA Audio Private	8,Punam Co-op.Society 29/30 Road#5, Union Park MUMBAI 400052, India
IRAN	Home Co.	5th floor no 878 Philips Building Enghelab ave, P.O. 11365/7844 Tehran, Iran
IRELAND	Marantz Ireland	Clonskeagh, Dublin 14, Ireland
ISRAEL	Elmor Ltd.	52 Heh Beiyar Street, Kikar Hamedina, Tel Aviv, Israel
ITALY	Marantz Italy	Via Casati 23, 20052 Monza (Milano), Italy, Servizio Consumatori 1678-20026, Numero Verde
IVORY COAST	Hifivoir	B.P. 2428, Abidjan 01, Ivory Coast
JAPAN	Marantz Japan Inc.	35-1 Sagami Ohno 7-Chome, Sagamihara-shi, Kanagawa 228-8505, Japan
KOREA	Mk Enterprises Ltd.	121-210, 2F Shinhan Bldg., 247-17 Seokyo-dong, Mapo-ku, Seoul, Korea
KUWAIT	alAlamiah Electronics Intl.	P.O. Box 8196, Salmiah 22052, Kuwait
LATVIA	Ace Ltd.	61, LacPlesa Str., Riga LV 1011, Latvia
LEBANON	AZ Electronics S.A., 1,	P.O. Box 11 2833, Beirut, Lebanon
LITHUANIA	Accapella Ltd.	Ausros, Vartu G/5, Pasazo SKG., 2001 Vilnius, Lithuania
MALAYSIA	Wo Kee Hong Electronics Sdn. Bhd.	102 Jalan SS 21/35, Damansara Utama, 47400 Petaling Jaya, Selangordarul Ehsan, Malaysia
MALTA	Doneo Co Ltd.	78 The Strand, Sliema SLM07, Malta
MAURITIUS	SKR Electronics Ltd.	P.O. Box 685, Bell Village, Port Louis, Mauritius
MILITARY MARKET EUROPE	PASCO GmbH	PO BOX 1280, Sandhausen 69200, Germany
NETHERLANDS	Marantz Domestic Sales	A division of Marantz Europe B.V., Building SFF2, P.O. Box 80002, 5600 JB Eindhoven, The Netherlands
NEW ZEALAND	Wildash Audio Systems	14 Malvern Road, Mt. Albert, Auckland, New Zealand
NORWAY	Audio Nord	Sandkerveien 64, Oslo 0483, Norway
OMAN	Mustafa & Jawad Trading CO.	P.O. Box 1918, Ruwi, Oman
POLAND	Philips Polska Sp. z.o.o.	Al.Jerozolimskie 195b, 02 222 Warszawa, Poland
PORTUGAL	Corel2	Comércio de Electrónica Lda., Av. Luís Bivar, No 85 A, 1050 Lisboa, Portugal
PROFESSIONAL EUROPE	Marantz Professional Products	Kingsbridge House, Padbury Oaks, 575-583 Bath Road, Longford, Middlesex UB7 0EH, U.K.
PROFESSIONAL U.S.A.	Marantz Professional Products	Distributed by: Superscope Technologies Inc., 1000 Corporate Blvd. Ste.D, Aurora, Illinois
QATAR	Almana & Partners W.W.L.	P.O. Box 49, Doha, Qatar
REUNION	Vision +	180 Rue du Marechal Leclerc, 97400 Saint Denis, Ile de la Reunion
ROMANIA	Nova Music Entertainment	5, Zagazului Str. Bl.1G,apt.18, sector 1,Bucharest, Romania
RUSSIA	Absolute Audio	7/2, Montazhnaya Street, 107497 Moscow, Russia
SAUDI ARABIA	Adawlia Univ. Electr. Apl	P.O. Box 2154, Alkhobar 31952, Saudi Arabia
SINGAPORE	Forward Marketing (S) Pte. Ltd.	Wo Kee Hong Centre, 29 Leng Kee Road, Singapore 159099, Singapore
SLOVAKIA	Bis Audio s.r.o.	Nam. SNP 10, 96001 Zvolem, Slovakia
SLOVENIA	Bofex	Smartinska 152, HALA V/3, 61000 Ljubljana, Slovenia
SOUTH AFRICA	Coherent Imports (PTY) Ltd.	P.O. Box 1614, Alberton, 1450, South Africa
SPAIN	Marantz Spain	Martinez Villergas 2, Apartado 2065, Madrid 28027, Spain
SRI LANKA	The listening Room	Mezzanine Floor, The Landmark 385, Galle Road, Colombo - 3, Sri Lanka
SWEDEN	Audio Nord	Almedalsvagen 4, Gotenborg 402-23, Sweden
SWITZERLAND	Sound Company AG	Postfach, 8010 Zürich, Switzerland
SYRIA	Hamzeh & Partners	Hafez Ibrahim Str. No 117, Damascus Shalan, Syria
TAHITI	Covecolor	Av. Prince Hinoi, Cours de l'union sacré, P.O. Box 2334, Papeete, Tahiti
TAIWAN	Pai-Yuing Co. Ltd.	6th No 148 Sung Kiang Road, Taipei 10429, Taiwan R.O.C.
THAILAND	MRZ Standard Co. Ltd.	746-750 Mahachai Road, Wangburapa, Bangkok 10200, Thailand
TUNESIA	Societe EDEVIG	40, Avenue du Golfe Arabe, El Menzah, 1004, Tunesia
TURKEY	Türk Philips Ticaret A.S.	Yukari Dudullu Organize sanayi Bolgesi, 2.Cadde no.28, 81260 Umraniye-Istanbul, Turkey
U.K.	Marantz Hifi UK Ltd.	Kingsbridge House, Padbury Oaks, 575-583 Bath Road, Longford, Middlesex UB7 0EH, U.K.
U.S.A.	Marantz America Inc.	440 Medinah Road, Roselle, IL 60172, U.S.A.
YUGOSLAVIA	ITM Company	Omladinskih Brigada 86, 11070 Belgrade, Yugoslavia
EXPORT	Marantz Domestic Sales	A division of Marantz Europe BV,Building SFF2, P.O. Box 80002, 5600 JB Eindhoven, TheThe Netherlands

www.marantz.com

Lucasfilm and THX are registered trademarks of Lucasfilm Ltd.

marantz® is a registered trademark.



Free Manuals Download Website

<http://myh66.com>

<http://usermanuals.us>

<http://www.somanuals.com>

<http://www.4manuals.cc>

<http://www.manual-lib.com>

<http://www.404manual.com>

<http://www.luxmanual.com>

<http://aubethermostatmanual.com>

Golf course search by state

<http://golfingnear.com>

Email search by domain

<http://emailbydomain.com>

Auto manuals search

<http://auto.somanuals.com>

TV manuals search

<http://tv.somanuals.com>