



MIL-S500 User's Guide

5-Port 10/100 Switch



© COPYRIGHT 2004

ALL RIGHTS RESERVED. First Edition. Printed in Taiwan.

All trademarks are the properties of their respective owners. No portion of this document may be reproduced, altered, adapted or translated without the prior written approval.

DOCUMENT WARRANTY

The information in this document is subject to change without notice. We make no warranty of any kind regarding this material, including, but not limited to, the implied warranties or merchantability and fitness for a particular purpose. Furthermore, we shall not be liable for errors contained herein or for incidental or consequential damage in connection with the furnishing, performance, or use of this material.

FCC STATEMENT

This equipment has been tested and found to comply with the limits for a Class A and B computing device, pursuant to part 15 of the FCC rules. These limits are designed to provide reasonable protection against harmful interference in commercial or residential environments.

This equipment generates and radiates radio frequency energy and, if not installed and used in accordance with instructions, may cause harmful interference to radio communications. In which case, the user will be required to correct the interference at the user's own expense.

Five-year Limited Warranty

MiLAN Technology warrants to the original consumer or purchaser that each of its products and all components thereof, will be free from defects in material and/or workmanship for a period of five years from the original factory shipment date. Any warranty hereunder is extended to the original consumer or purchaser and is not assignable. MiLAN Technology makes no express or implied warranties including, but not limited to, any implied warranty of merchantability or fitness for a particular purpose, except as expressly set forth in this warranty. In no event shall MiLAN Technology be liable for incidental or consequential damages, costs, or expenses arising out of or in connection with the performance of the product delivered hereunder. MiLAN Technology will in no case cover damages arising out of the product being used in a negligent fashion or manner.

Trademarks

© 2004 MiLAN, the MiLAN logo and MiLAN Technology are either trademarks or registered trademarks of MiLAN . In the United States and/or other countries. All other Trademarks are the property of their respective holders.

To Contact MiLAN Technology

For prompt response when calling for service information, have the following information ready:

Product serial number and revision. Date of purchase and Vendor or place of purchase.

You can reach MiLAN Technology

technical support at: E-mail:

support@milan.com

Telephone: +1.408.744.2751

Fax: +1.408.744.2771

<http://www.milan.com>

info@milan.comT

©Copyright 2004 MiLAN Technology

MiLAN Technology

1329 Moffett Park Dr

Sunnyvale, CA 94089-1138

United States of America

Telephone: +1.408.744.2775

Fax: +1.408.744.2793

P/N 90000200 Rev C

User's Guide

Introduction

The MIL-S500 Switch provides wire-speed, Fast Ethernet switching function that allows high-performance, low cost connections to full-duplex, half-duplex, 10Mbps and 100Mbps Ethernet network. The MIL-S500 switch provides five auto-sensing 10/100Mbps RJ-45 ports that automatically detects the speed of the device that is plugged into it. This switching function allows 10Mbps, 100Mbps, full-duplex and half-duplex devices to communicate on the same network without having to replace any infrastructure.

Key Features

- Compliant with IEEE 802.3 & 802.3u standards
- Auto-negotiation for 10/100Mbps transmission
- Store-and-Forward switching architecture
- Auto-detect of full/half-duplex mode in all ports
- Back-pressure for Half-duplex , Pause frame for Full-duplex
- Plug-and-Play configuration auto addresses learning
- Embedded 1K-entry MAC address table and 1Mega Byte frame buffer
- LED-indicators for power, speed 100Mbps, link/activity
- Space-saving compact size
- Broadcast Storm protection

- MDI/MDIX Auto-recognition (No cross over cable required)
- Magnets provide easy installation in modular office

Package Contents

Your package contents should include the following:

- MIL-S500 Switch
- Four rubber feet with adhesive pads

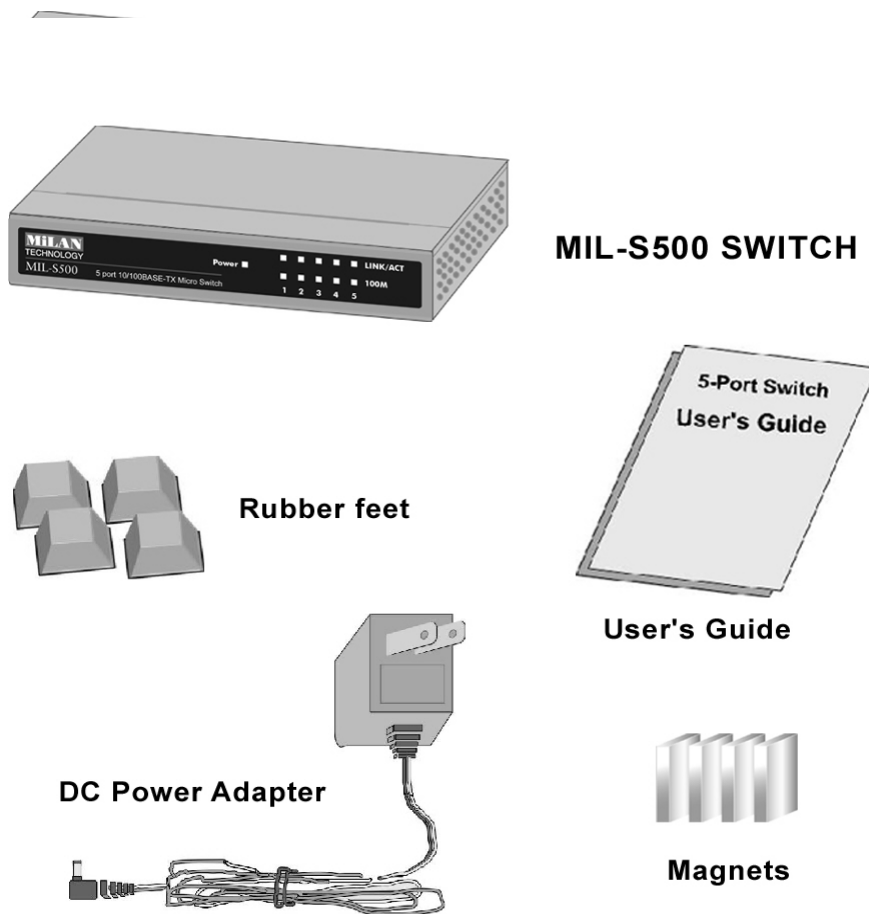


Figure 2. Package Content

If any of these pieces are found missing or damaged, please contact your local dealer or reseller for replacement.

Hardware Description

The Front Panel

The front panel consists of LED Indicators.



Figure 3. Front view of MIL-S500 Switch

LEDs

Per Device	Power
Per Port	100Mbps (Link on 100Mbps)
	LINK/ACT (Link/Activity)

The Rear Panel

The rear panel of the MIL-S500 Switch has a DC power connector and 5 auto-sensing ports.

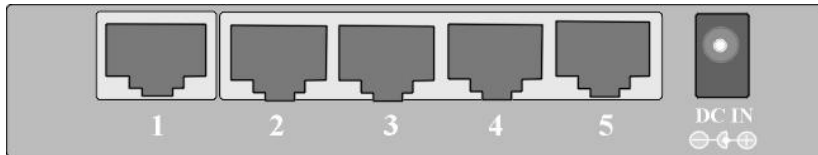


Figure 4. Rear panel view of the MIL-S500 switch

- *Auto-sensing ports for speed and Duplex*
Five Auto-sensing RJ-45 ports for 10Base-T or 100Base-TX connections.
- *DC Power Connector*
Plug this connector female end into this device, and the male into a power outlet. Supported input voltages 9 VDC at 700 mA.
- *Auto-sensing for MDI/MDIX*
No need for crossover

LED-Indicators 5

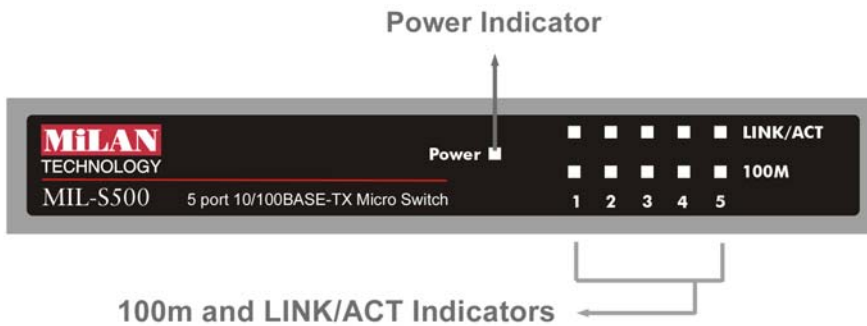


Figure 5. Front panel view of LED indications

The Table lists the LEDs available and their respective function.

LED	Status	Color	Description
Power	On	Green	The hub is supplied with suitable power.
100Mbps	On	Green	The port is connecting with 100Mbps.
	Off		The connection between the hub and the device is 10Mbps, if the LINK/ACT light is on.

LINK/ACT	On	Green	The port is successfully connecting with the device.
	Blinking		The port is receiving or transmitting data.
	Off		The port does not link successfully with the device.

Installation

- Apply self-adherent rubber feet to the bottom of the Switch near each of the four corners. See Figure 6.
- If applying Switch to metal surface, install magnets as shown in Figure 6. Switch may then be installed on a metal surface.
- Plug in power adapter.

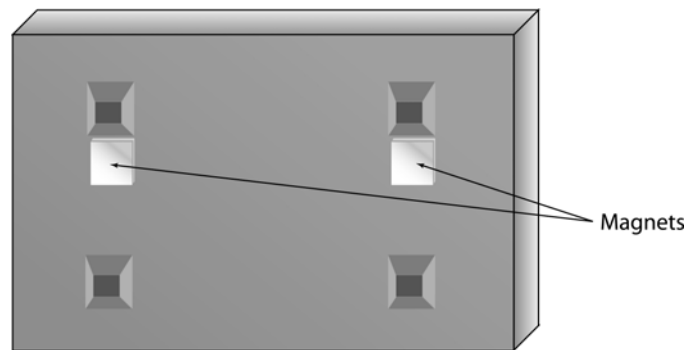


Figure 6. Magnet locations

Trouble Shooting

The Switch can be easily monitored through panel indicators that assist in the identification of problems. This section describes common problems you may encounter and where you can find possible solutions.

■ **Power**

If the power indicator does not turn on when the power cord is plugged in, you may have a problem with the power outlet, or power cord. However, if it powers off after running for a while, check for loose power connections, power losses or surges at the power outlet. Or, you may try to unplug the power cord on the Switch, wait for five seconds and then reconnect. If you still cannot resolve the problem, call our technical support hotline.

■ **Cabling**

Verify that the cabling type is correct. Be sure all cable connectors are securely seated in the required ports. Use all standard unshielded twisted-pair (UTP), Category 3, 4, or 5 cables or Category 5 only when connecting with Fast Ethernet. Make sure the maximum distance between the Switch to the workstation, or Switch is 100 meters.

Product Specification

General Specification

Standard Compliance	IEEE 802.3 10Base-T Ethernet IEEE 802.3u & 802.3x 100Base-TX Fast Ethernet
Number of Ports	5X 10/100Mbps Auto-sensing RJ-45 ports
Data Transfer Rate	Ethernet: 10Mbps(half duplex) 20Mbps(full duplex) Fast Ethernet: 100Mbps(half duplex) 200Mbps(full duplex)
Network Cables	Unshielded twisted-pair cable
Topology	Star
LED Indicators Per Device Per Port	Power 100Mbps, LINK/ACT

Performance Specification

Transmission Method	Store and forward
MAC address table	1K-entry MAC address table
Maximum Forwarding Rate(64byte packets)	14,880 pps /10 BASE-T 148,800 pps /100BASE-TX
Maximum Filtering Rate(64byte packets)	14,880 pps /10BASE-T 148,800 pps/100BASE-TX
Flow control	Pause frame (Full-duplex) Back-pressure (Half-duplex)
Duplex mode	Supports both half-duplex and full-duplex mode

Physical & Environmental Specification

Power Supply	External power adapter, DC 9V, 700mA
Dimensions	111mm×70mm×20mm (L×W×H)
Temperature	Operating temperature: 0 to 45 (32 to 113) storage temperature: 40 to 70 (-22 to 140)
Humidity	10% to 90% (non-conditioning)
EMI	FCC Class B, CE mark
Safety	UL, cUL



P/N 90000200 Rev C

Free Manuals Download Website

<http://myh66.com>

<http://usermanuals.us>

<http://www.somanuals.com>

<http://www.4manuals.cc>

<http://www.manual-lib.com>

<http://www.404manual.com>

<http://www.luxmanual.com>

<http://aubethermostatmanual.com>

Golf course search by state

<http://golfingnear.com>

Email search by domain

<http://emailbydomain.com>

Auto manuals search

<http://auto.somanuals.com>

TV manuals search

<http://tv.somanuals.com>