

PLATINUM

BY MSB TECHNOLOGY



DAC II PREAMP USERS MANUAL

REV 1 (1/03)

14251 PESCADERO RD. LA HONDA, CA 94020
(650) 747-0400 F.(650) 747-0405
WWW.MSBTECH.COM

SIGN MAGNITUDE LADDER DAC SPECIFICATIONS

INPUTS:	COAXIAL, TOSLINK, BALANCED AES/EBU, 2 MSB NETWORK (192K) AND A BALANCED ANALOG INPUT
RCA OUTPUTS:	3.6V RMS (10Vpp)
OUTPUT IMPEDANCE:	50 OHMS AT 0dB
BALANCED OUTPUT:	7.5 V RMS (20Vpp)
VOLUME CONTROL:	2 dB STEPPED ATTENUATOR (32 STEPS)
SAMPLING FREQUENCY:	1.5 MHz UP TO 5 MHz
DIGITAL FILTER:	8 TIMES OVERSAMPLING
SLEW RATE:	>1000 V/MICROSECOND
SETTLING TIME:	<90 NANOSECONDS
DYNAMIC RANGE:	136 dBA MEASURED
NOISE FLOOR:	< -145 dB
THD+N:	.002
SIGNAL TO NOISE RATIO:	140 dB
CHANNEL SEPARATION:	>130 dB
CONTROL FEATURES:	REMOTE DISPLAY DIM MODE PHASE INVERT FILTER OPTION UPSAMPLING VOLUME AND INPUT SELECT

DAC II PREAMP USERS MANUAL

REV 1 (1/03)

UNIQUE PRODUCT - A PREAMP OR A DAC?

This product is a unique combination of a very high performance DAC and the ultimate passive preamp. It is intended to be used as both for the best possible sound in your system. Our preamp philosophy is based on the belief that from the moment analog audio is created, every transition that is made degrades the quality. That means that an active preamp with many stages if perfect would have no effect and any imperfection would result in degradation of the music. That is why we have used a passive preamp within the DAC II, to achieve the simplest, shortest possible signal path, with the least possible degradation of the true music.

THE PREAMP UPGRADE

The DAC II Preamp has just one analog input and many digital inputs. It is designed to be the last component in your system before the amplifiers. With its incredibly low impedance, especially for a passive preamp, it can drive long interconnects and handle any type of amplifier input stage design with optimum performance.

Depending on how many analog sources you have in your system, you may be able to eliminate your current preamp. If you currently have only CD and vinyl in your system, you would attach your CD players digital output to the DAC II and the output of your phono preamp to the analog input. Your system is now complete, with the shortest possible signal path and the best sound you can achieve. The same idea applies to use with an SACD player. Since SACD does not come out the digital output, the analog SACD is attached to the analog input on the DAC II and the digital output for CD playback.

If you have a complex system with a preamp with many analog inputs, attach the outputs of your preamp to the input on the DAC II. Shift any digital sources over to digital inputs on the DAC II and again, you will achieve optimum results. Set your preamp to a volume that matches the DAC II output and use nothing but the DAC II volume control in your system.

SETUP AND QUICK START

The front panel is quite simple with few user controls. Set the input source to auto and start with all the other options off (No LED lit). On power up, the volume is reset to -62 dB. Turn the volume knob up until you hear music.

***Power** - The Platinum comes standard with an inboard power supply. A switch on the back allows the unit to be switched between 240V and 120V. Please check your setting before plugging the unit in. Leave the Platinum powered on all the time.*

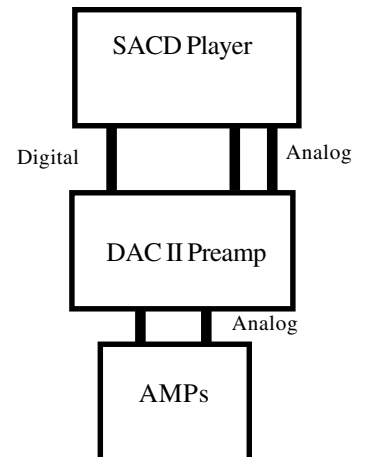
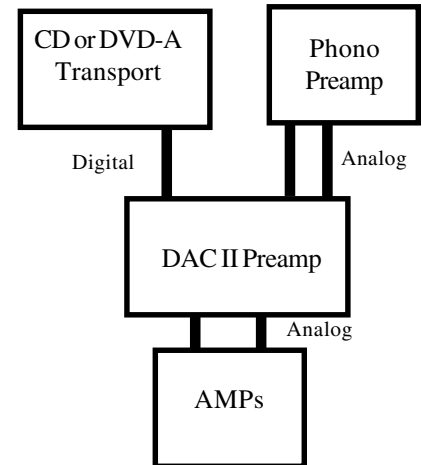
***Inputs** - The Platinum comes standard with two MSB Network (CAT5), AES/EBU balanced, coaxial and optical digital audio inputs, as well as a balanced analog input, ranked in order of performance. Connect any digital input to any active digital audio source. The frequency of the incoming signal will be read out on the front panel and analog audio will be found on both balanced and single-ended analog outputs.*

Outputs

Connect the balanced or single-ended analog outputs to any amplifier and audio should be present. The output level is controlled with the knob or remote.

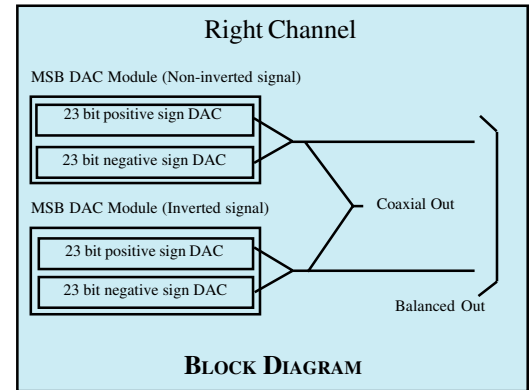
BURN-IN

The concept of burn-in is little understood. Does it take your ears some time to get used to the incredibly detailed and life like sound of an MSB product or is something actually changing? The feedback we receive leads us to recommend at least 100 hours of burn-in on this DAC. Customers generally recommend one month.



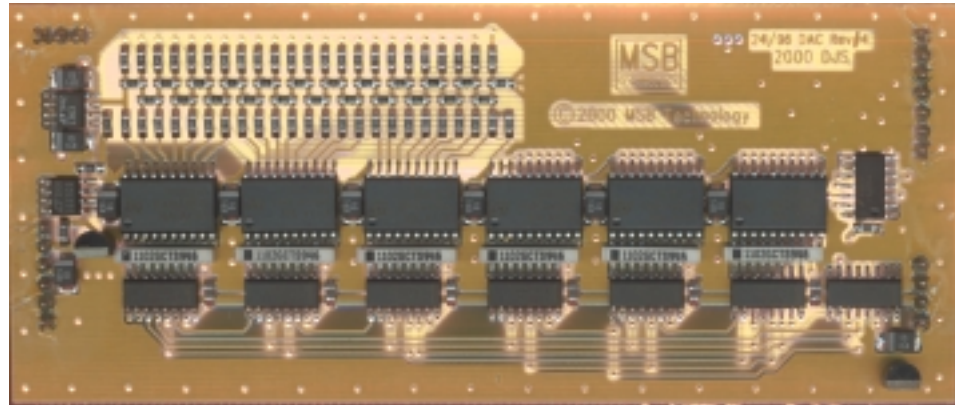
UNIQUE TECHNOLOGY - THE PAST AND THE FUTURE

Over 10 years ago early DACs were all 16 bit ladder DACs, with a precision laser-trimmed resistor creating the appropriate analog level for each of the bits. The DACs worked well and sounded good. They were quite expensive as very accurate resistors were required. Then along came the "single bit" DACs. Rather than using a resistor to create an analog level, pulse width modulation was used. Basically each bit was created by turning a switch on and off for the appropriate length of time. The resulting square wave pattern was filtered to create a smooth output. The expensive resistors were gone, and so was the good performance. Next came the Delta Sigma DAC. It used the same pulse width modulation but rather than creating a single large pulse for each data point, the data point was created with many small pulses. This allows the pulses to be smoothed with a less radical filter, and improves the sound. As you can see, upsampling the input signal to a higher frequency reduces the filtering requirements and thus improves the sound. This is the current state-of-the-art as exemplified in the LINK DAC 4.



The Platinum draws from the older, superior ladder technology, but with incredible improvements. The Platinum contains four 24 bit MSB DAC modules (seen below). The Platinum is fully balanced so there is a matched pair of 24 bit DAC modules for the inverted and non-inverted signals on each of the right and left channels. Finally, each DAC module contains one R2R ladder DAC with a 23 bit negative sign and one R2R ladder DAC with a 23 bit positive sign. Together this makes a true 24 bit DAC. This design allows the quieter moments in your music to be true to the music, without the linearity errors near zero that plague normal ladder and delta-sigma DAC designs. With a dual 24 bits of combined resolution, a 24 bit source gives a true 24 bit resolution without the losses and errors that make your normal 16 or 24 bit DAC perform far less than their actual resolution (normal 16 bit DACs only muster a meager 12 bits of resolution). The Platinum is carefully designed so as to require no DC correction in the output stage. This allows direct DC coupling on the output stage for pure, uncolored sound -- with no output filtering to muck up your high end or smear your bass attack. And for those who require a balanced analog output, the separate positive and negative DACs directly drive the balanced outputs, with no analog output stage at all!

Another major difference in the Platinum is the type of output. Essentially all ladder DACs produce a current output. This is converted to a voltage output with a current to voltage converter. This problematic circuit colors the sound and introduces non-linearity. The Platinum is a true voltage DAC with a voltage output right from the source. All amplifiers have slew rates greater than 1000 Volts/microsecond. The output impedance of the Platinum is 50 ohms.

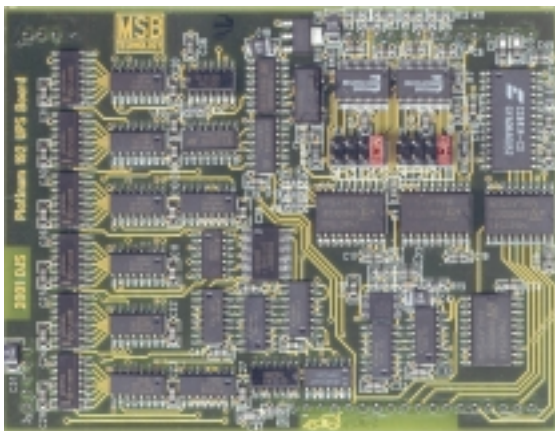


FRONT PANEL FEATURES

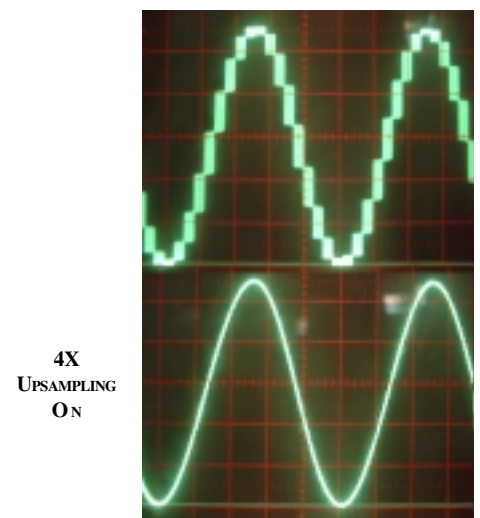
The DAC II has 4 control buttons on the front panel, a knob and a display. The buttons toggle on and off. When on, the LED next to the button is lit.

UPSAMPLING AND FILTERING

The MSB Platinum grants the user the ability to upsample from ANY lower audio standard to four times the rate, but limited to 24bit/192kHz (so CD is upsampled to 176.4k and everything else is 192k). This is a selectable feature and may be turned off. To play a 24/192 disc the Platinum only needs to be plugged into a DVD-A player with an MSB Network output. This upsampling feature also dynamically buffers and re-clocks all the data and clock signals to provide a virtually jitter-free source directly to the DACs.



The selectable digital filter response permits the user to choose the filter design they prefer. It allows for the selection of a standard brick-wall filter or a slow roll-off filter, both at half the sampling frequency. Each provide a distinct, glorious listening experience. You may favor one or the other, or enjoy changing the filter response to suit the music you



SIGN WAVE (0DB, 19.95 kHz TEST TONE)
SCOPE SETTINGS 2 V/DIV, 10USEC/DIV



listen to. Music with less high frequencies may benefit from the slow roll-off filter.

To play a 24/192 disc the source player needs to have an MSB Network output. If your DVD-A player does not have the MSB Network output, it can be added. A 192k input will override the upsampling settings.

FRONT PANEL CONTROLS

Frequency and Volume Display – The actual sampling frequency of the incoming signal is displayed. This is not the normal display of the frequency reported by the decoder, which, for example, would always read 44.1 kHz even if the transport was playing at 44.3 kHz. The MSB frequency counter displays actual frequency so don't be surprised if some lower cost DVD transports fail to produce an accurate playback speed.

The volume is displayed whenever the volume is adjusted. It is shown as attenuation in dB. At 0 dB, the volume control is disconnected and the DAC works as if the feature was removed.

Upsample On – The incoming data is upsampled to 4 times the incoming rate, but limited to 192 kHz. This is a true upsampling, not a parallel scheme as found in some DACs. The feature can be turned on or off.

Input Select – Each of the six inputs can be selected manually, or the auto mode can be selected. The auto mode is an automatic priority switching with auto signal detection. In either case, active sources light up the input LED at half brightness, and the selected source at full brightness.

Filter On - This feature adjusts the slope of the digital filter. This feature is very much related to the interpolation feature above. The Platinum defaults to the gentle filter slope. In this case some of the image frequencies can be reflected into the audible range, but the negative energy spread effect of filters is minimized. This setting is best for higher sampling rate sources such as 96K or 192K. For low sampling rate sources the brick-wall filter may be desirable as image frequencies are more likely to affect the sound. Again, these rules-of-thumb can be dramatically affected by your personal taste.

Phase Invert - This feature allows improperly recorded material to be corrected. The phase of the outputs is inverted digitally.

Volume Knob - This knob adjusts the volume between 0 dB and -62 dB. When the volume control module is removed, the knob becomes an input selector. Our 0dB actually equates to a +6 dB of gain in relation to the industry standard 2 Vrms level.

Display Dim - Press and hold input on the front panel and press "mode" on the remote. The display is turned off. When changes are made, the display will show them briefly. Repeat the function to turn the display back on or disconnect the power for a moment.

REMOTE CONTROL

Mute – Mutes the analog outputs. Causes the display to flash the volume setting, even in the display dim mode.

Mode – Steps through the 6 inputs. This button also turns the display dim mode on and off if you press it when holding the front panel input button in..

Volume up and down – Steps the volume up and down in 2 db steps.

4 square buttons – Controls for the CD player version of the product.

Batteries – The remote control uses two AAA batteries.

The same remote works with the Platinum CD player and the Platinum volume control. If using the DAC II with a Platinum volume control, remove the volume modules from the DAC II so they will not interfere with the operation of the Platinum volume control.





REAR PANEL DETAILS

INPUTS

Analog (SACD) – A balanced analog input is provided. It is passed through to both the single ended and balanced outputs when selected. (As well as the volume control if installed). This input is ideal for adding an

SACD player to your system. Minimum input impedance is 600 ohms. For an RCA input, use an RCA to XLR conversion connector. At 0 dB volume setting, the analog inputs are a direct pass-through.

Toslink – Although this format has the lowest bandwidth, it is one of the more common outputs on low-end products. It also offers ground isolation between products and noise immunity over long runs.

Coaxial – A good input for short runs and lower frequencies.

Balanced digital – The AES/EBU Professional input is the preferred input. The balanced nature of this input allows great cable lengths as well as total noise immunity.

Dual MSB Network – These dual CAT-5 connectors are actually two inputs. One is MSB 5 and the other is MSB 6.

THE MSB NETWORK

One of the most powerful features of the Platinum is the new MSB network. This network plugs into the balanced input of the Platinum and is automatically detected and activated. The MSB network has the following capability:

- * Unidirectional communications over any twisted pair
- * Simultaneous transmission of 8 audio channels with 32 bit resolution at 192 kHz sampling rate
- * Simultaneous transmission of 8 data channels with 3 Mbs data rate (for volume and trim data)
- * A single serial channel of 384 kbits/sec for control and system data.

This network is our answer to 192 kHz audio transmission and multichannel transmission in the same package. We provide network outputs to our own transport and offer a source upgrade to your transport as well. In our surround processor upgrade, up to 8 channels of decoded data can be sent through one wire to separate DACs. The twisted pair format is very convenient as it has become the standard for all computer networks. Ethernet networks use CAT5 wire which contains 4 twisted pairs. This one cable could be used to send 32 channels of 32 bit, 192 kHz audio data! Several cables are available for connecting MSB transports to the Platinum including CAT5 cable at any length up to 80 feet.

MSB NETWORK CAPABILITY

TWISTED PAIR WIRING
XLR CONNECTORS (AES/EBU COMPATIBLE)
EIGHT 32 BIT 192 KHZ AUDIO CHANNELS
8 CONTROL CHANNELS
EXTRA SERIAL CHANNEL

ANALOG OUTPUTS

Balanced – The balanced audio outputs are the preferred output format for those customers with a balanced system. As the PLATINUM is fully balanced, both the inverted and non-inverted outputs are generated directly by separate DACs and sent to the balanced outputs without filtering, buffering or any analog circuits that could color the music. The balanced outputs provide a 20 Vpp at 0 dB (7.5 V RMS). Set the volume at -12 dB to achieve a 2 Vrms output level

Coaxial – The output impedance is 50 ohms and output level is 10 Volts PP (3.6V RMS). Set the volume control at -6dB to achieve the industry standard 2 Vrms level.

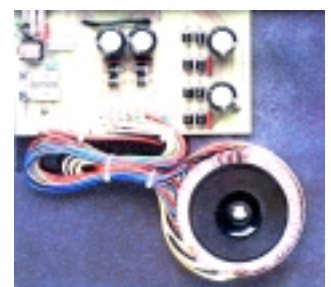
POWER SUPPLIES

Each function within the Platinum is provided with its own separate power supply. There are 5 power supplies in the digital portion and 6 in the analog. The power supplies in the digital section ensure the maximum jitter reduction while the 3 power supplies for each of the left and right DACs allow for the greatest channel separation possible. The analog power supplies are the original high-speed discrete supplies used in MSB audio products for over 13 years. The Platinum includes a built-in P1000 Power Base, with its high performance triple wound toroidal transformer and rectification. It voltage switchable for 120V or 240V and has a detachable cord. Also provided is extra DC output that can be used to power another MSB product like a volume control. The DIN connector next to the AC power connector is an auxiliary output, not an input. MSB will supply a DIN to DIN cable upon request.

VOLTAGE CONVERSION AND CHANGING FUSES

The Platinum can be configured for 120V or 240V operation by switching the voltage switch on the back panel. The Platinum will work over a wide voltage range so 80 volts is no problem at the 120V setting and 180V will work at the 240V setting.

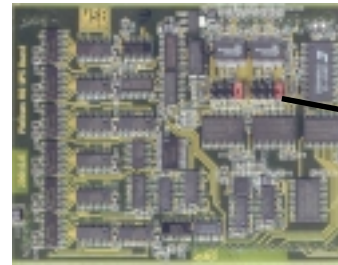
Fuses may blow during unusual power surges or disturbances. Protect this product with a good surge protection power supply as changing fuses is quite a big operation. Replace fuses with 3A 5mm x 20mm miniature fuses. To access the fuses, follow these instructions:



Remove the cover of the Platinum. Work on a soft scratch resistant surface like a carpeted floor. Three screws are located along the back edge and three screws on the bottom along the front edge. With these screws out, the cover lifts off. Now the power supply must be separated from the DAC. Each side panel is attached to both the top DAC part and the lower Power supply part. Remove the screws from the lower Power supply part. There are also screws between the two parts along the back edge. On newer units, the circuit board has two notches along the back edge. These notches line up with the threaded holes from the cover. Remove the screws that can be found in each notch. Now separate the power supply part from the DAC part.

MSB Network Input and Channel Selection

The MSB Network supports 4 stereo channels of 192k data at once. Any DAC can be configured to decode any of these 4 channels. For example, when an upgraded DVD player is playing a DTS music CD, one DAC can be configured to Channel 1 and will receive the front channels. A second DAC can be attached to the same wire at the same time and by selecting Channel 2 will receive and decode the rear channels. The 3rd channel is for the front and sub channels if you want to use them. The 4th channel is for future formats which may come along. Move the jumper located on the input board as shown in the diagram to select the channel. Because the Platinum has two 192 inputs, each can have any channel selected.



Channel 1 selected (Fronts)

An MSB Network output upgrade provides three identical connectors allowing three DACs to be driven at once, each set up for a different channel. With the two inputs, another possibility would be to hook both up to the same multichannel source. Set input one for front and input 2 for rear and you could then toggle between front and rear using the input select.

Quality Check

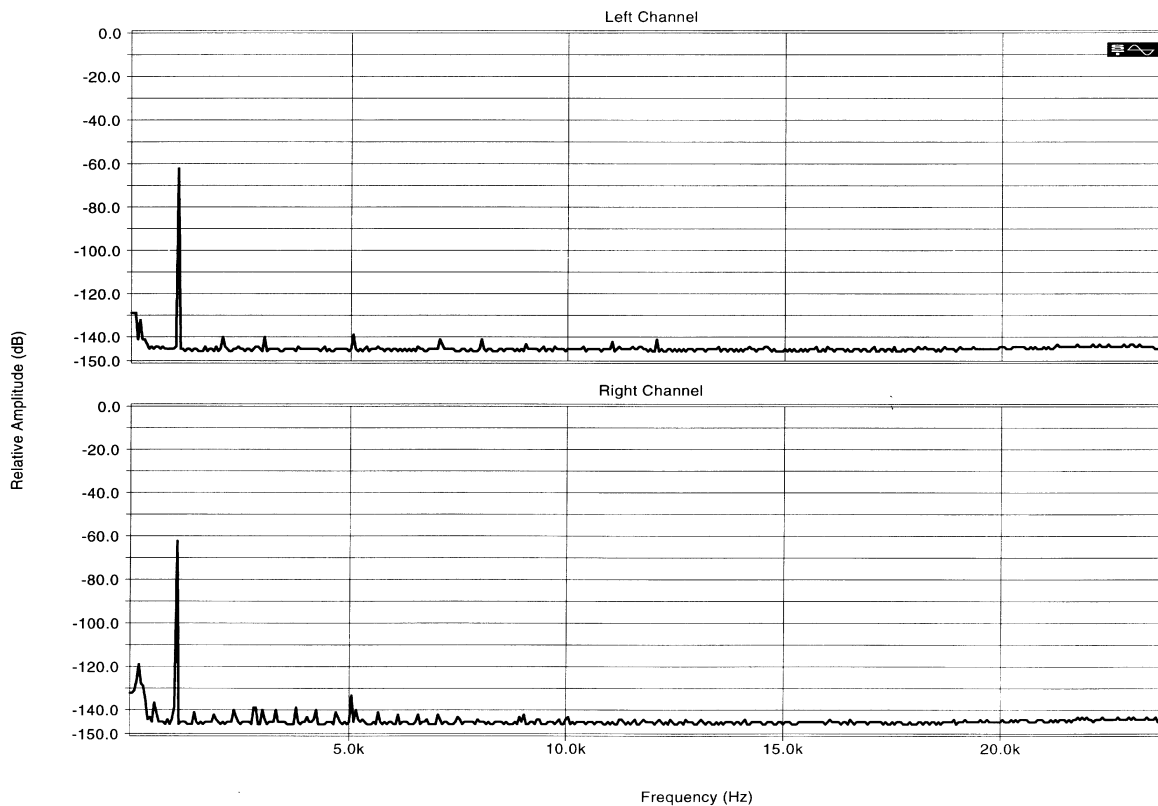
Each Platinum is comprehensively tested and the actual outputs measured. A test plot should be included in your Platinum like the one below. Just a few comments on the test plot. Most measurement systems cannot measure as low a level as -145 db. That is the noise floor of our test system which means the Platinum may measure better, but we cannot see it. The rise at low frequencies is always present on our test setup and the right channel always shows a little more noise than the left (the right cable runs closer to the digital input cable). The test date is also always off.

Sampling: 48000 Hz
 FFT size: 65536
 Averaging: 20
 Window: Hanning

SER# 15017

-60dB DAC Dynamic Range

Printed by: SpectraLAB - FFT Spectral Analysis System
 Licensed to: Dustin
 Fri Nov 30 16:45:56 2001



Troubleshooting

No "Source" indicated on LEDs - Check for bad cable, or cable plugged into the wrong output on the transport.

No sound - Check that source is valid audio source. Change to a standard CD just to be sure. Check that analog outputs are connected properly. Check that volume is turned up.

Still no sound - connect an analog output from the source directly to the volume control. Verify that the rest of the system is working. Now move the same analog cable to the DAC and plug in a digital source. You should hear a click and the front display should indicate frequency.

You hear audio clipping (with outboard preamp) - the output level may be too high for your preamp. Check the input specifications on your preamp. (See Platinum specs). Turn the volume down to -6 dB. This provides the standard 2 V RMS industry specification.

The unit does not work powered on 240V - unplug power quickly or capacitors may smoke. The unit is configured for 120V. Check voltage selector on back.

Frequency readout is off - The Platinum upsamples to 4 times a 44.1K source rate which should be 176.4. All other sources upsample to 192K. The Platinum reads out the actual precise frequency. Some transports are not exactly on the required frequency and the error will be seen. Belt drive transports tend to wander.

With no input, a free running oscillator may show a low frequency. This is normal.

96K source indicates 48k on front panel - Check setup menu of DVD player. Digital output should be set for 96k output. Some models do not support this feature and downmix to 48k.

DVD-A source does not indicate 192k - DVD-A players must be upgraded to provide a true 192K output. Production players downmix to 48K. Many DVD-A disks are produced in 44.1, 48 and 96k as well.

Warranty

All MSB products carry a one year warranty. No returns accepted without an RMA. Upon receipt, MSB will repair or replace any defective product. All product shipped FOB La Honda. Shipping and shipping damage is the responsibility of the consignee.

UPGRADES AND MODIFICATIONS

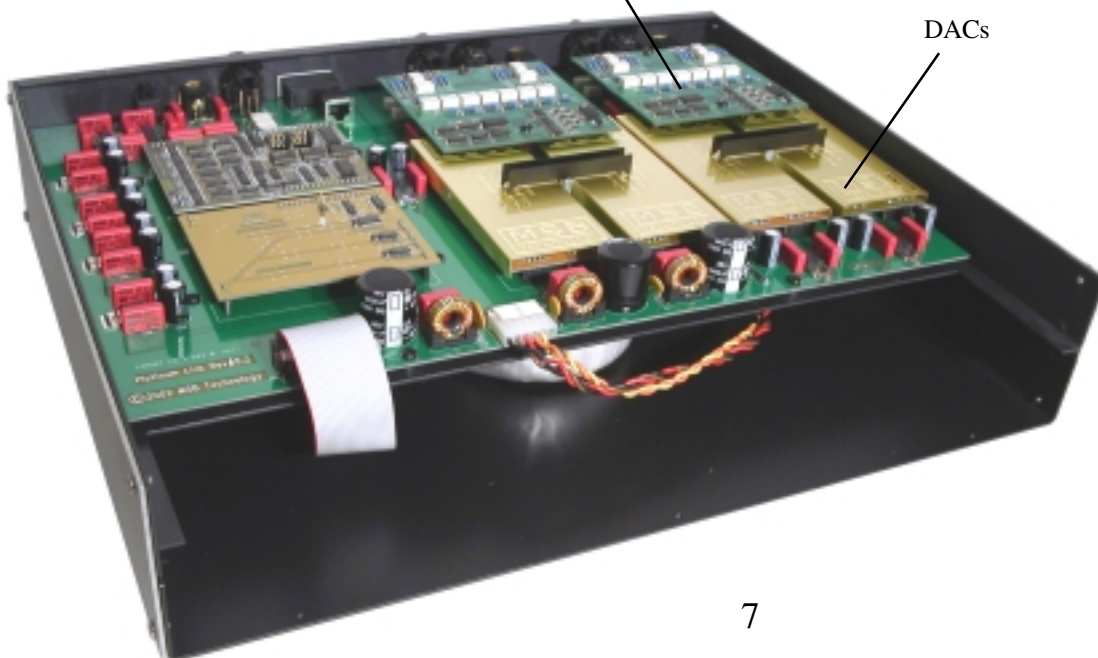
Removal of the cover - Unplug the AC power. Work on a soft scratch resistant surface like a carpeted floor. Start with the unit upside down and remove three screws located along the front edge of the cover. Then turn the unit over and remove the three screws along the back edge of the cover. Loosen the four screws holding the endcaps on as they may prevent the cover from moving easily. Slide the cover toward the front of the unit and lift off. Turn and place carefully as a cable is attached. Now the upgrades may be installed.

Removal of the volume modules - The volume modules can be unplugged from the Platinum mother board. They are held in place with two plastic snaps which can be released by pinching together. The boards are automatically detected, so when unplugged the DAC will output the same level signal as it would with them plugged in at 0 dB. The volume knob will now select the input and the remote volume buttons will have no effect.

Signature DAC Upgrade - Provides hand matched DAC modules for superior sound quality. These DACs can run at twice the speed (384kHz sampling rate) with 1/2 the settling time. The noise level is cut to 1/3 the normal value and the signal-to-noise ratio is up to 145 db. They are user installable and come as a matched set of four, replacing the existing DACs. These DACs will work in all versions of the Platinum DAC or CD player. User installable.

Volume Control Boards

DACs



Signature Volume Control Upgrade - Provides hand matched high precision resistors for superior sound quality. Custom tailored for your system. User installable.

Signature DAC and Volume Control Installed at Factory - This signature series upgrade is available for both the DAC II and CD STATION II. Factory installed only.

Free Manuals Download Website

<http://myh66.com>

<http://usermanuals.us>

<http://www.somanuals.com>

<http://www.4manuals.cc>

<http://www.manual-lib.com>

<http://www.404manual.com>

<http://www.luxmanual.com>

<http://aubethermostatmanual.com>

Golf course search by state

<http://golfingnear.com>

Email search by domain

<http://emailbydomain.com>

Auto manuals search

<http://auto.somanuals.com>

TV manuals search

<http://tv.somanuals.com>