

# Owner's Operating Service Instruction Manual

10¢

Model No.  
244-600A

- ASSEMBLY
- OPERATION
- REPAIR PARTS

## EDGER

### WARRANTY

For one year from date of purchase, MTD Products Inc will replace for the original purchaser, free of charge, F.O.B. factory or authorized service firm, any part or parts found to be defective in material or workmanship. All transportation charges on parts submitted for replacement under this warranty must be paid by the purchaser. This warranty does not include replacement of parts which become inoperative through misuse, excessive use, accident, neglect, improper maintenance or alterations by unauthorized persons. This warranty does not include the engine, motor, battery, battery charger or any component parts thereof. For service on these units, refer to the applicable manufacturer's warranty.

The above warranty will apply only to the original owner and will be effective only if the warranty card has been properly processed. It will not apply where the unit has been used commercially.

Warranty service is available through your local authorized service dealer or distributor. **UNDER NO CIRCUMSTANCES WILL THE RETURN OF A COMPLETE UNIT BE ACCEPTED BY THE FACTORY UNLESS PRIOR WRITTEN PERMISSION HAS BEEN EXTENDED.**

**MTD PRODUCTS INC** • 5389 WEST 130th STREET • P. O. BOX 2741 CLEVELAND OHIO 44111

PRINTED IN U.S.A.

FORM NO. 770-4888

# IMPORTANT

## SAFE OPERATION PRACTICES – WALK BEHIND EDGER

### TRAINING

1. Read the Operating and Service Instruction Manual carefully. Be thoroughly familiar with the controls and the proper use of the equipment.
2. Never allow children to operate a power edger .
3. Keep the area of operation clear of all persons, particularly small children and pets.
5. If the equipment should start to vibrate abnormally, stop the engine (motor) and check immediately for the cause. Vibration is generally a warning of trouble.
6. Stop the engine (motor) whenever you leave the equipment, before cleaning the mower housing, and when making any repairs or inspections.

### PREPARATION

1. Thoroughly inspect the area where the equipment is to be used and remove all stones, sticks, wire, bones and other foreign objects.
2. Do not operate equipment when barefoot or wearing open sandals. Always wear substantial footwear.
3. Check the fuel before starting the engine. Do not fill the gasoline tank indoors, when the engine is running, or while the engine is still hot. Wipe off any spilled gasoline before starting the engine.
4. Never attempt to make a wheel height adjustment while engine (motor) is running.
5. Edge only in daylight or in good artificial light.
6. Never operate equipment in wet grass. Always be sure of your footing; keep a firm hold on the handle and walk, never run.
7. When cleaning, repairing or inspecting, make certain the blade and all moving parts have stopped. Disconnect the spark plug wire, and keep the wire away from the plug to prevent accidental starting.
8. Do not run the engine indoors.
9. Never operate edger without proper guards, plates or other safety protective devices in place.

### OPERATION

1. Do not change the engine governor settings or overspeed the engine.
2. Do not put hands or feet near or under rotating parts. Keep clear of the discharge opening at all times.
3. Stop blade when crossing gravel drive, walks, or roads.
4. After striking a foreign object, stop the engine (motor), remove the wire from spark plug, thoroughly inspect the mower for any damage, and repair the damage before restarting and operating the mower.
5. Check the blade and engine mounting bolts at frequent intervals for proper tightness.
2. Keep all nuts, bolts, and screws tight to be sure the equipment is in safe working condition.
3. Never store the equipment with gasoline in the tank inside of a building where fumes may reach an open flame or spark. Allow the engine to cool before storing in any enclosure.
4. To reduce fire hazard, keep the engine free of grass, leaves, or excessive grease.
5. Check the grass catcher bag frequently for wear or deterioration. Replace with new bag for safety protection.

### MAINTENANCE AND STORAGE

## **ASSEMBLY**

Your new edger is shipped preassembled with the exception of the handle, rear wheels, and throttle control.

1. Remove the edger and all parts from the carton. Make certain that all loose parts and literature are removed from carton before carton is discarded.
2. Assemble the lower handle into the slots in the rear of the frame. Line up the holes in the handle with the holes in the frame and insert the axle bolt through the wheel, belleville washer, frame, handle, lockwasher and secure with hex nut as shown on the parts drawing.
3. Assemble the upper handle assembly to the lower handle with four carriage bolts, lockwashers and nuts.
4. Assemble the clutch rod to the clutch handle and pivot bracket assembly and secure with cotter pins.
5. Check the lubrication section of this manual for proper engine lubrication care.

## **CONTROLS**

**ENGINE** — One lever operates the choke, regulates the engine speed and stops the engine. Ref. No. 73.

**DEPTH CONTROL ADJUSTMENT** — The clutching and declutching of the belt is accomplished by moving the clutch handle. To declutch pull the handle towards you as you operate the edger. The farther you push the handle forward the deeper the cut. To operate the clutch handle, move it to the left so the pin clears the clutch plate. Ref. No. 4.

**CAM LEVER** — The cam lever releases the blade guard assembly so it can be rotated to any position. The cam lever can be tightened by adjusting the hex nut on the stud (ref. no. 29).

**BLADE PLANE ADJUSTMENT** — The cutting blade can be adjusted from vertical to horizontal position by releasing the lever on the pivot bracket assembly and rotating the spindle housing. The notches will hold it in any position. Ref. No. 24.

**WHEEL HORIZONTAL ADJUSTMENT** — Loosening the lever on the front of the frame will allow you to move the front wheel bracket assembly to either side of the frame. Ref. No. 58.

**WHEEL VERTICAL ADJUSTMENT** — By releasing the lever on the R. H. side of the frame you can raise and lower the front wheel of your edger. Additional adjustment can be made by unscrewing the axle bolt and using the different holes in the end of the wheel bracket assembly. Ref. No. 24.

By becoming familiar with all the controls and adjustments before you operate your edger you will be able to easily adjust your edger to a variety of cutting and trimming conditions. While the engine is running, **DO NOT ATTEMPT TO MAKE ANY ADJUSTMENTS** except with the engine control or the depth control adjustment.

## **STARTING INSTRUCTIONS**

1. Fill the crankcase with oil. See Lubrication section of this manual.
2. Fill the gasoline tank with "regular" gasoline.
3. Move the depth control adjustment lever back as far as it will travel and engage the pin in the clutch plate (ref. no. 4).
4. Set the engine control in the "choke" position.
5. Grasp the starter handle and pull out the cord rapidly. Return it slowly to the engine. If the engine does not start after two pulls, move the engine control to the "fast" position.

## **LUBRICATION**

**ENGINE** — Fill sump with oil. Use a high quality detergent oil classified "For Service MS". Nothing should be added to the recommended oil. SUMMER—Use SAE 30. WINTER—(Below 40° F.) Use SAE 5W-20 or SAE 10W.

*Directions:* Place the engine level. Remove filler plug.  
**FILL THE OIL SUMP TO POINT OF OVERFLOW.** Pour slowly.

**WHEELS** — The wheel bearings are lifetime fortiflex and require no lubrication.

**CUTTER HEAD BEARINGS** — The two ball bearings in the cutter head are lubricated and sealed at the factory and require no lubrication. Lubricate all other moving parts with engine oil.

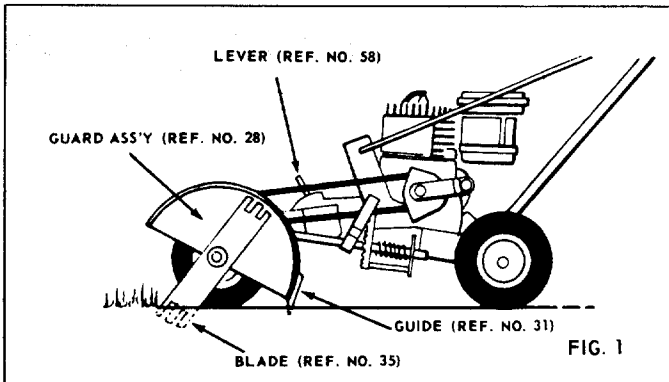
## **MAINTENANCE**

**BLADE REMOVAL** — Use a wrench on both sides of the blade when removing it for replacement.

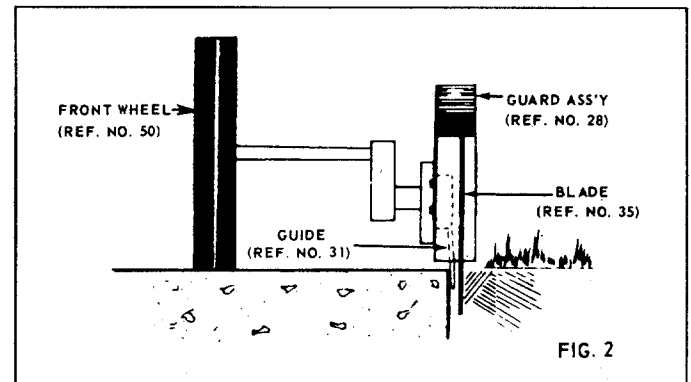
**BELT REMOVAL** — To remove the V-Belt, remove the belt guard on the engine pulley and the belt guard on the spindle housing. Replace with a  $\frac{3}{8}$  x 31.2" V-Belt. (Part Number 754-142.)

## OPERATING INSTRUCTIONS

1. Loosen the lever (ref. no. 58) on the wheel horizontal adjustment and move it all the way to the right and tighten the lever.



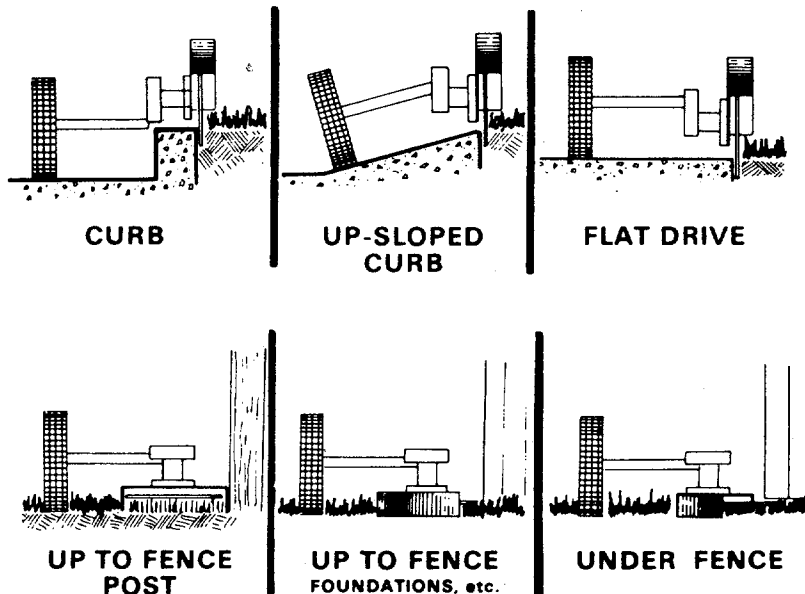
5. Guard ass'y. (ref. no. 28) is adjustable horizontally. If operator is on walk as in fig. 2, pull guard ass'y. (ref. no. 28) to the right so that the inside of guide (ref. no. 32) is to the walk. If operator is on lawn, pull the guard ass'y. (ref. no. 28) to the left. This allows the outside of guide



2. Move the depth control adjustment lever down until the blade engages in the ground.
3. Be sure the guide (ref. no. 31) which is mounted on the guard ass'y. (ref. no. 28) follows in the fresh cut of the blade. (See position of guard, fig. 1).
4. Be sure guide (ref. no. 31) rides against the walk (see fig. 2) below.

(ref. No. 31) to be towards the walk. This will protect your blade from wear and damage.

6. To operate the edger as a trimmer, rotate the cutter head 90° by adjusting the blade plane adjuster.
7. The edger can be adjusted by lowering the front wheel with the wheel vertical adjustment so the front wheel will roll in the street while the rear wheel is on top of the curb.

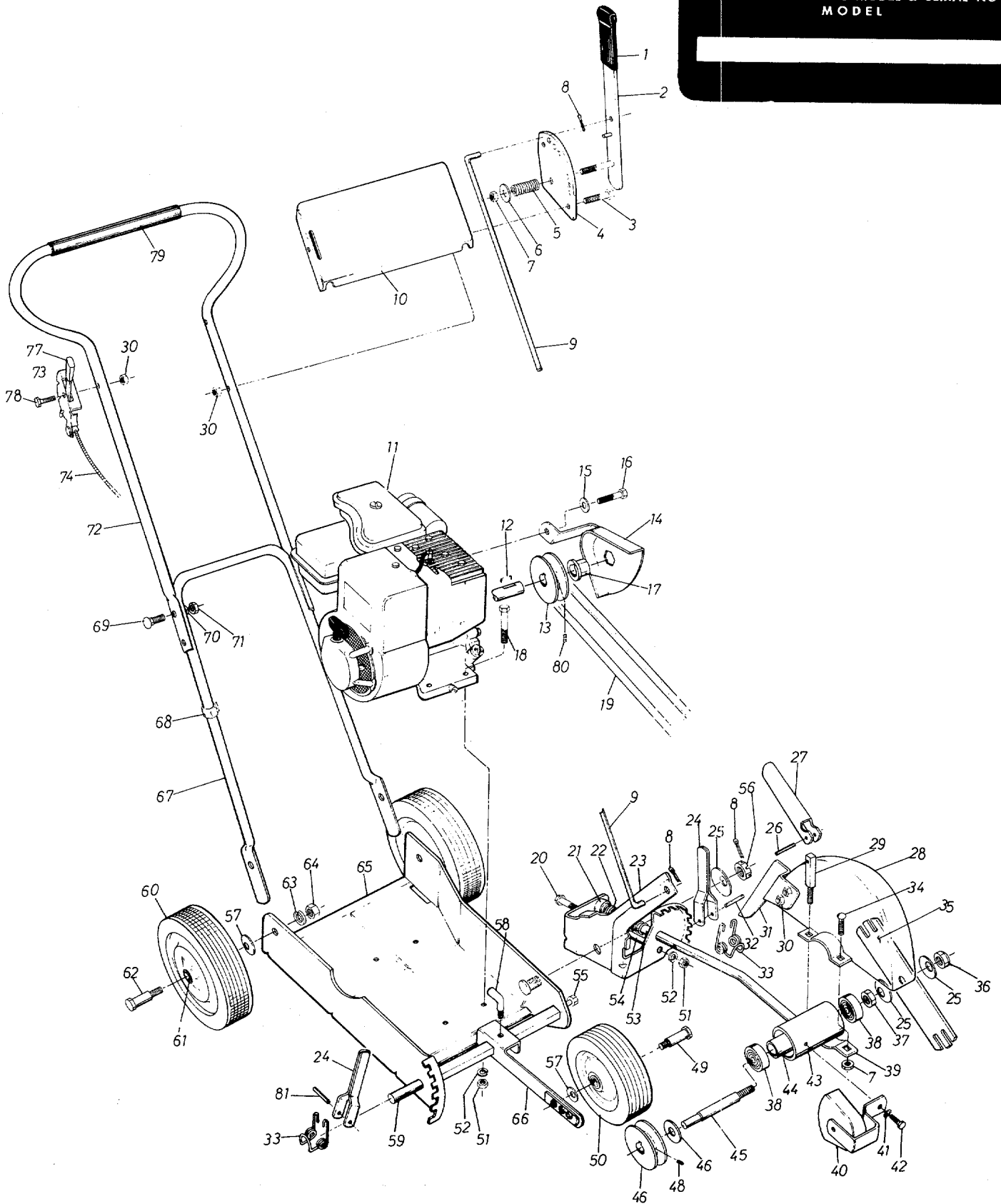


### CAUTION

Do not adjust the blade guard with the engine running.

# 244-600A

IF YOU WRITE TO US ABOUT THIS ARTICLE  
OR IF YOU ORDER REPLACEMENT PARTS AL-  
WAYS MENTION THIS MODEL & SERIAL NO  
MODEL



**PARTS LIST FOR 244-600 A EDGER**

Ref. No.	Part No.	Color Code	Description	New Part	Ref. No.	Part No.	Color Code	Description	New Part
1	720-142		Flat Bar Grip		39	10244		Clamp Bracket	
2	9948		Clutch Handle Assembly		40	9944-463		Belt Guard Assembly	
3	710-106		Hex Head Cap Screw 1/4-20 x 1 1/4 Lg. *		41	736-329		Spring Lockwasher 1/4" Screw *	
4	9950		Clutch Plate		42	710-179		Hex Head Thread Cut Screw type "F" 1/4-20 x 1/2 Lg. *	
5	732-171		Compression Spring		43	9934		Spindle Housing †	
6	736-264		Flat Washer *		44	711-385		Spacer	
7	712-372		Hex Centerlock Nut 3/8-18 Thd. *		45	711-384		Spindle	
8	714-115		Cotter Pin 1/8 Dia. * x 1.00" Lg. *		46	736-116		Flat Washer .625 I.D. x .937 O.D. *	
9	9951		Clutch Rod		47	711-420		Pulley-Spindle	
10	10113-463		Handle Cover		48	715-246		Spirol Pin 3/8 Dia. x 1 1/4" Lg. *	
11	-----		Engine		49	738-213		Axle Bolt—Front Wheel	
12	714-105		Square Key .187 sq. x 1" Lg. *		50	9392-513		Wheel Assembly 7" Dia.—Front	
13	711-421		Pulley—Engine		51	712-267		Hex Nut 3/8-18 Thd.	
14	9941-463		Belt Guard Assembly		52	736-119		Spring Lockwasher 3/8" Screw *	
15	736-114		Internal Lockwasher 1/2" Dia. *		53	715-111		Spirol Pin 3/8" Dia. x 1" Lg. *	
16	710-121		Hex Head Cap Screw 1/2-20 x 3/4" Lg.		54	711-386		Spacer	
17	748-227		Hex Bearing		55	711-110		Shoulder Bolt	
18	710-442		Hex Head Cap Screw 3/8-18 x 1 1/2" Lg.		56	712-114		Castle Hex Nut 1/2-20 Thd. *	
19	754-142		V-Belt 3/8" x 31.2 Lg. *		57	736-105		Belleville Washer *	
20	710-402		Hex Head Cap Screw 3/8-18 x 4 1/2" Lg.		58	711-207		Lock Handle	
21	711-379		Bushing		59	711-382		Shaft	
22	732-187		Compression Spring		60	9392-514		Wheel Assembly 8" Dia.—Rear (2)	
23	9932		Pivot Bracket Assembly		61	7006		Fortiflex Bearing	
24	9946		Lever Assembly		62	738-108		Axle Bolt—Rear	
25	736-112		Belleville Washer *		63	736-169		Spring Lockwasher for 3/8" Screw *	
26	715-119		Roll Pin 5/32" x 3/4" Lg. *		64	712-798		Hex Nut 3/8-16 Thd. *	
27	9953		Cam Lever		65	9930-463		Base Assembly	
28	9938-463		Guard Assembly		66	9936-463		Wheel Bracket Assembly	
29	711-383		Stud		67	9955		Handle—Lower	
30	712-107		Hex Centerlock Nut 1/4-20 Thd. *		68	746-145		Cable Clip	
31	9952		Guide		69	710-111		Carriage Bolt 1/4-20 x 1 1/4 Lg. *	
32	712-101		Roll Pin 1/4" x 1 1/2" Lg. *		70	736-329		Spring Lockwasher 1/4" Screw *	
33	732-188		Tension—Spring		71	712-287		Hex Nut 1/4-20 Thd. *	
34	710-444		Hex Head Cap Screw 3/8-18 x 1" Lg. *		72	10112		Handle—Upper	
35	9954		Blade		73	10449		Throttle Control Complete	
36	712-200		Hex Elastic Stop Nut 1/2-20 Thd. *		74	746-232		Conduit and Wire **	
37	712-922		Hex Jam Nut 1/2-20 Thd. *		77	7470		Knob **	
38	741-124		Bearings #203		78	710-606		Hex Head Cap Screw 1/4-20 x 1 1/2 Lg. *	
					79	718-124		Grip — Handle	
					80	710-137		Set Screw 3/8-24 Thd. *	
					81	715-247		Spring Pin Spir. 3/16" Dia. x 1.00" Lg. *	

\*For faster service order standard nuts, bolts, and washers locally. If these items cannot be obtained locally, order by part number and size as shown on parts list.

463 — Top Flite Red — When ordering parts, if color or finish is important, use the appropriate color code shown at left. (e.g. Top Flite Red 10112 (463)).

†To order spindle housing complete with two bearings, spacer and spindle shaft order part number 10229.

\*\*Part of throttle control complete 10449.

The engine is not under warranty by the edger manufacturer. If repairs or service is needed on the engine, please contact your nearest authorized engine service outlet. Check the "Yellow Pages" of your telephone book under "Engines — Gasoline."

Find us fast in the



# PARTS INFORMATION

**DEFECTIVE OR MISSING PARTS** must be reported to the factory immediately. Such claims must include your model number and date of purchase.

## POWER EQUIPMENT PARTS AND SERVICE

Parts and service for all MTD manufactured power equipment are available through the authorized service firms listed below. All orders should specify the model number of your unit, parts numbers, description of parts and the quantity of each part required.

### A 1 Engine & Mower Co.

327 East 9th Street  
Salt Lake City, Utah 84102

### American Electric Ignition Co.

124 N. W. 8th Street  
Oklahoma City, Oklahoma 73102

### Auto Electric & Carburetor Co.

2325 4th Avenue, S.  
P. O. Box 1948  
Birmingham, Alabama 35233

### Automotive Equipment Service Co.

3117 Holmes Street  
Kansas City, Missouri 64109

### Bailey's Rebuild Inc.

1325 E. Madison Street  
Seattle Washington 98102

### Bleckie, Inc.

7900 Lorain Avenue  
Cleveland, Ohio 44102

### Brown Equipment Distributor Inc.

110 Beech Street  
Corydon, Indiana 47112

### Bullard Supply

2409 Commerce Street  
Houston, Texas 77003

### Carl A. Anderson Co.

623 S. 16th Street  
Omaha, Nebraska 68102

### Catto & Putty, Inc.

P. O. Box 2408  
510 Soledad Street  
San Antonio, Texas 78205

### Center Supply Company

6867 New Hampshire Avenue  
Takoma Park, Maryland 20012

### Dixie Sales Company

P. O. Box 1408  
327 Battleground Avenue  
Greensboro, North Carolina 27402

### East Point Cycle & Key Shop

1617 Whiteway  
East Point, Georgia 30044

### Gamble Distributors

West End Avenue  
Carthage, New York 13619

### Garden Equipment Co., Inc.

6600 Cherry Avenue  
Long Beach, California 90805

### Gardenville Supply, Inc.

Pipersville, Pennsylvania 18947

### Henry W. O'Neil & Assoc., Inc.

410 North Goodman Street  
Rochester, New York 14609

### Henzler, Inc.

2015 Lemay Ferry Road  
St. Louis, Missouri 63125

### Kenton Supply

8216 North Denver Avenue  
Portland, Oregon 97217

### Kimber's Inc.

115 W. Geddes St.  
Syracuse, New York 13204

### The Lawnmower Shop

1340 El Camino Real  
San Carlos, California 94070

### Marr Brothers

423 E. Jefferson  
Dallas, Texas 75203

### Mathews Auto Electric Co.

420 East 2nd Street  
Tulsa Oklahoma 74120

### McClure Lawn & Garden Supply

1114 Lexington Avenue  
Mansfield, Ohio 44907

### Memphis Cycle & Supply Co.

421 Monroe Avenue  
Memphis Tennessee 38103

### Morton B. Collins Co.

300 Birnie Avenue  
Springfield, Massachusetts 01107

### Moz-All of Florida, Inc.

365 Greco Avenue  
Coral Gables, Florida 33146

## BRIGGS & STRATTON, TECUMSEH AND PEERLESS PARTS AND SERVICE

Briggs & Stratton, Tecumseh and Peerless parts and service should be handled by your nearest authorized engine service firm. Check the yellow pages of your telephone directory under the listing *Engines — Gasoline*, Briggs & Stratton or Tecumseh Lauson — Power Products.

### National Central, Div. of

Joe Sterling, Inc.  
Drawer "D" 687 Seville Rd.  
Wadsworth, Ohio 44281

### Parts & Sales Inc.

2101 Industrial Pkwy.  
Elkhart, Indiana 46514

### Power Equipment Distributor

36463 So. Gratiot Avenue  
Mt. Clemens, Michigan 48043

### Power Lawn & Garden Equip. Co.

2551-2571 J. F. Kennedy Road  
Dubuque, Iowa 52001

### Radco Distributors

2403 Market Street  
P. O. Box 3216  
Jacksonville, Florida 32206

### Raub Supply Company

James & Mulberry Sts.  
Lancaster, Pennsylvania 17604

### Richmond Battery & Ignition

P. O. Box 25369 — 957 Myers St.  
Richmond, Virginia 23260

### Smith Hardware Company

515 N. George Street  
Goldsboro, North Carolina 27530

### South Denver Lawn Equip. Co.

527 West Evans  
Denver, Colorado 80223

### Suhren Engine

8330 Earhart Blvd.  
New Orleans, Louisiana 70118

### Sutton's Lawn Mower Shop

Route 4, Box 343  
North Little Rock, Arkansas 72117

### Warner Equipment

7520 Lyndale Avenue, So.  
Minneapolis, Minnesota 55423

### Woodson Sales & Service

1702 North Sylvania  
Ft. Worth, Texas 76111

## WARRANTY PARTS AND SERVICE POLICY

The purpose of warranty is to protect the customer from defects in workmanship and materials, defects which are NOT detected at the time of manufacture. It does not provide for the unlimited and unrestricted replacement of parts. Use and maintenance are the responsibility of the customer. The manufacturer cannot assume responsibility for conditions over which it has no control. Simply put, if it's the manufacturer's fault, it's the manufacturer's responsibility; if it's the customer's fault, it's the customer's responsibility.

### CLAIMS AGAINST THE MANUFACTURER'S WARRANTY INCLUDES

1. Replacement of Missing Parts on new equipment.
2. Replacement of Defective Parts within the warranty period.
3. Repair of Defects within the warranty period.

All claims MUST be substantiated with the following information:

1. Model Number of unit involved.
2. Date unit was purchased or first put into service.
3. Date of failure.
4. Nature of failure.

## Free Manuals Download Website

<http://myh66.com>

<http://usermanuals.us>

<http://www.somanuals.com>

<http://www.4manuals.cc>

<http://www.manual-lib.com>

<http://www.404manual.com>

<http://www.luxmanual.com>

<http://aubethermostatmanual.com>

Golf course search by state

<http://golfingnear.com>

Email search by domain

<http://emailbydomain.com>

Auto manuals search

<http://auto.somanuals.com>

TV manuals search

<http://tv.somanuals.com>