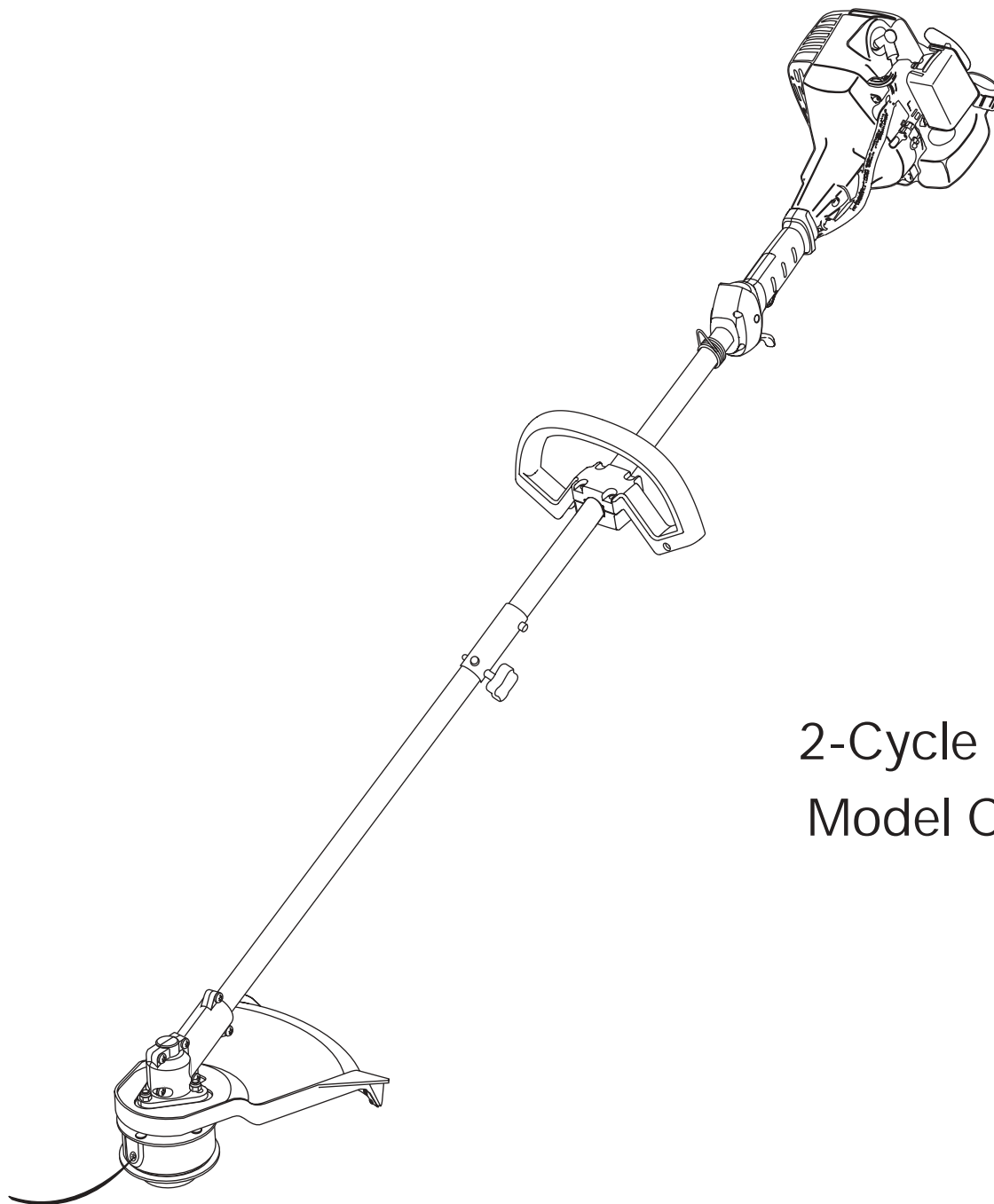


Cub Cadet

Operator's Manual



2-Cycle Trimmer
Model CC 3075

IMPORTANT: READ SAFETY RULES AND INSTRUCTIONS CAREFULLY

P/N 769-01388 (2/05)

INTRODUCTION

THANK YOU

Thank you for buying this quality product. This modern outdoor power tool will provide many hours of useful service. You will find it to be a great labor-saving device. This operator's manual provides you with easy-to-understand operating instructions. Read the whole manual and follow all the instructions to keep your new outdoor power tool in top operating condition.

PRODUCT REFERENCES, ILLUSTRATIONS AND SPECIFICATIONS

All information, illustrations, and specifications in this manual are based on the latest product information available at the time of printing. We reserve the right to make changes at any time without notice.

Copyright© 2005 MTD SOUTHWEST INC, All Rights Reserved.

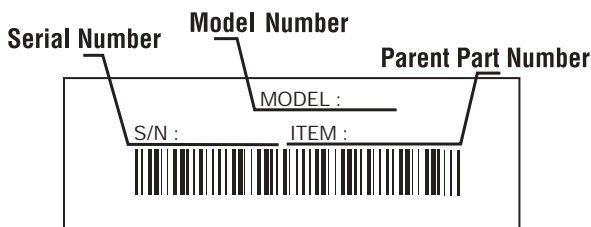
SERVICE INFORMATION

Service on this unit both within and after the warranty period should be performed only by an authorized and approved service dealer.

For service call **1-877-282-8684** to obtain a list of authorized service dealers near you. For more details about your unit, visit our website at www.cubcadet.com.

DO NOT RETURN THE UNIT TO THE RETAILER.
PROOF OF PURCHASE WILL BE REQUIRED FOR WARRANTY SERVICE.

Before beginning, locate the unit's model plate. It lists the model and serial numbers of your unit. Refer to the sample plate below and copy the information for future reference.



Copy the model and parent part number here: _____

Copy the serial number here: _____

Make sure you carefully read and understand this manual before starting or operating this equipment.

THIS PRODUCT IS COVERED BY ONE OR MORE U.S. PATENTS. OTHER PATENTS PENDING.

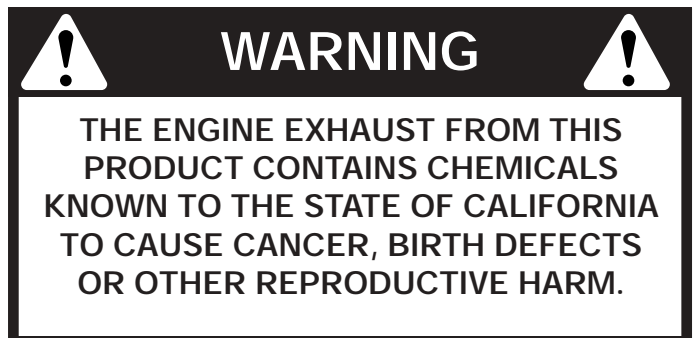
TABLE OF CONTENTS

Service Information	2
Rules for Safe Operation	3
Know Your Unit	6
Assembly Instructions	7
Oil and Fuel Information	8
Starting/Stopping Instructions	9
Operating Instructions	10
Maintenance and Repair Instructions	12
Cleaning and Storage	16
Troubleshooting Chart	17
Specifications	18
Warranty Information	20

SPARK ARRESTOR NOTE

NOTE: For users on U.S. Forest Land and in the states of California, Maine, Oregon and Washington. All U.S. Forest Land and the state of California (Public Resources Codes 4442 and 4443), Oregon and Washington require, by law that certain internal combustion engines operated on forest brush and/or grass-covered areas be equipped with a spark arrestor, maintained in effective working order, or the engine be constructed, equipped and maintained for the prevention of fire. Check with your state or local authorities for regulations pertaining to these requirements. Failure to follow these requirements could subject you to liability or a fine. **This unit is factory equipped with a spark arrestor.** If it requires replacement, ask your LOCAL SERVICE DEALER to install the **Spark Arrestor Kit**.

CALIFORNIA PROPOSITION 65 WARNING



RULES FOR SAFE OPERATION

The purpose of safety symbols is to attract your attention to possible dangers. The safety symbols, and their explanations, deserve your careful attention and understanding. The safety warnings do not by themselves eliminate any danger. The instructions or warnings they give are not substitutes for proper accident prevention measures.

SYMBOL	MEANING
--------	---------



SAFETY ALERT: Indicates danger, warning or caution. Attention is required in order to avoid serious personal injury. May be used in conjunction with other symbols or pictographs.

NOTE: Advises you of information or instructions vital to the operation or maintenance of the equipment.

Read the Operator's Manual(s) and follow all warnings and safety instructions.

Failure to do so can result in serious injury to the operator and/or bystanders.

FOR QUESTIONS, CALL 1-877-282-8684

SYMBOL	MEANING
--------	---------



DANGER: Failure to obey a safety warning will result in serious injury to yourself or to others. Always follow the safety precautions to reduce the risk of fire, electric shock and personal injury.



WARNING: Failure to obey a safety warning can result in injury to yourself and others. Always follow the safety precautions to reduce the risk of fire, electric shock and personal injury.



CAUTION: Failure to obey a safety warning may result in property damage or personal injury to yourself or to others. Always follow the safety precautions to reduce the risk of fire, electric shock and personal injury.

• IMPORTANT SAFETY INSTRUCTIONS •

READ ALL INSTRUCTIONS

BEFORE OPERATING



WARNING: When using the unit, you must follow the safety rules. Please read these instructions before operating the unit in order to ensure the safety of the operator and any bystanders. Please keep these instructions for later use.

- Read the instructions carefully. Be familiar with the controls and proper use of the unit.
- Do not operate this unit when tired, ill, or under the influence of alcohol, drugs, or medication.
- Children and teens under the age of 15 must not use the unit, except for teens guided by an adult.
- All guards and safety attachments must be installed properly before operating the unit.
- Inspect the unit before use. Replace damaged parts. Check for fuel leaks. Make sure all fasteners are in place and secure. Replace parts that are cracked, chipped, or damaged in any way. Do not operate the unit with loose or damaged parts.
- Carefully inspect the area before starting the unit. Remove all debris and hard or sharp objects such as glass, wire, etc.

- Be aware of the risk of injury to the head, hands and feet.
- Clear the area of children, bystanders, and pets. At a minimum, keep all children, bystanders, and pets outside a 50 feet (15 m.) radius; there still may be a risk to bystanders from thrown objects. Bystanders should be encouraged to wear eye protection. If you are approached, stop the unit immediately.
- Use only 0.105 inch (2.67 mm) diameter original equipment manufacturer replacement line. Never use metal-reinforced line, wire or rope. These can break off and become dangerous projectiles.
- Squeeze the throttle control and check that it returns automatically to the idle position. Make all adjustments or repairs before using unit.

SAFETY WARNINGS FOR GAS UNITS



WARNING: Gasoline is highly flammable, and its vapors can explode if ignited. Take the following precautions:

- Store fuel only in containers specifically designed and approved for the storage of such materials.
- Avoid creating a source of ignition for spilled fuel. Do not start the engine until fuel vapors dissipate.

RULES FOR SAFE OPERATION

- Always stop the engine and allow it to cool before filling the fuel tank. Never remove the cap of the fuel tank, or add fuel, when the engine is hot. Never operate the unit without the fuel cap securely in place. Loosen the fuel tank cap slowly to relieve any pressure in the tank.
- Mix and add fuel in a clean, well-ventilated outdoor area where there are no sparks or flames. Slowly remove the fuel cap only after stopping engine. Do not smoke while fueling or mixing fuel. Wipe up any spilled fuel from the unit immediately. Always wipe unit dry before using.
- Move the unit at least 30 feet (9.1 m) from the fueling source and site before starting the engine. Do not smoke or allow sparks and open flames near the area while adding fuel or operating the unit.

WHILE OPERATING

- Never start or run the unit inside a closed room or building. Breathing exhaust fumes can kill. Operate this unit only in a well ventilated outdoor area.
- Wear safety glasses or goggles that are marked as meeting ANSI Z87.1-1989 standards. Also wear ear/hearing protection when operating this unit. Wear a face or dust mask if the operation is dusty. Long sleeve shirts are recommended.
- Wear heavy, long pants, boots and gloves. Do not wear loose clothing, jewelry, short pants, sandals or go barefoot. Secure hair above shoulder level.
- The cutting attachment shield must always be in place while operating the unit. Do not operate unit without both trimming lines extended, and the proper line installed. Do not extend the trimming line beyond the length of the shield.
- This unit has a clutch. The cutting attachment remains stationary when the engine is idling. If it does not, have the unit adjusted by an authorized service technician.
- Adjust the D-handle to your size to provide the best grip.
- Be sure the cutting attachment is not in contact with anything before starting the unit.
- Use the unit only in daylight or good artificial light.
- Avoid accidental starting. Be in the starting position whenever pulling the starter rope. The operator and unit must be in a stable position while starting. See *Starting/Stopping Instructions*.
- Use the right tool. Only use this tool for the purpose intended.
- Do not overreach. Always keep proper footing and balance.
- Always hold the unit with both hands when operating. Keep a firm grip on both the front and rear handle or grips.

- Keep hands, face, and feet at a distance from all moving parts. Do not touch or try to stop the cutting attachment when it is rotating.
- Do not touch the engine or muffler. These parts get extremely hot from operation. They remain hot for a short time after you turn off the unit.
- Do not operate the engine faster than the speed needed to cut, trim or edge. Do not run the engine at high speed when you are not cutting.
- Always stop the engine when cutting is delayed or when walking from one cutting location to another.
- If you strike or become entangled with a foreign object, stop the engine immediately and check for damage. Do not operate before repairing damage. Do not operate the unit with loose or damaged parts.
- Stop and switch the engine to off for maintenance, repair, or for changing the cutting attachment or other attachments.

Use only original equipment manufacturer replacement parts and accessories for this unit. These are available from your authorized service dealer. Use of any unauthorized parts or accessories could lead to serious injury to the user, or damage to the unit, and void your warranty.

- Keep unit clean of vegetation and other materials. They may become lodged between the cutting attachment and shield.
- To reduce fire hazard, replace faulty muffler and spark arrestor, keep the engine and muffler free from grass, leaves, excessive grease or carbon build up.

OTHER SAFETY WARNINGS

- Never store the unit, with fuel in the tank, inside a building where fumes may reach an open flame or spark.
- Allow the engine to cool before storing or transporting. Be sure to secure the unit while transporting.
- Store the unit in a dry area, locked up or up high to prevent unauthorized use or damage, out of the reach of children.
- Never douse or squirt the unit with water or any other liquid. Keep handles dry, clean and free from debris. Clean after each use. See the *Cleaning and Storage* instructions.
- Keep these instructions. Refer to them often and use them to instruct other users. If you loan someone this unit, also loan them these instructions.

SAVE THESE INSTRUCTIONS

RULES FOR SAFE OPERATION

SAFETY AND INTERNATIONAL SYMBOLS

This operator's manual describes safety and international symbols and pictographs that may appear on this product. Read the operator's manual for complete safety, assembly, operating and maintenance and repair information.

SYMBOL



MEANING

- SAFETY ALERT SYMBOL

Indicates danger, warning, or caution. May be used in conjunction with other symbols or pictographs.



- WARNING - READ OPERATOR'S MANUAL

Read the Operator's Manual(s) and follow all warnings and safety instructions. Failure to do so can result in serious injury to the operator and/or bystanders.



- WEAR EYE AND HEARING PROTECTION

WARNING: Thrown objects and loud noise can cause severe eye injury and hearing loss. Wear eye protection meeting ANSI Z87.1-1989 standards and ear protection when operating this unit. Use a full face shield when needed.



- KEEP BYSTANDERS AWAY

WARNING: Keep all bystanders, especially children and pets, at least 50 feet (15 m.) from the operating area.



- UNLEADED FUEL

Always use clean, fresh unleaded fuel.

SYMBOL



MEANING

- THROWN OBJECTS AND ROTATING CUTTER CAN CAUSE SEVERE INJURY

WARNING: Do not operate without the cutting attachment shield in place. Keep away from the rotating cutting attachment.



- ON/OFF STOP CONTROL
ON / START / RUN



- ON/OFF STOP CONTROL
OFF or STOP



- HOT SURFACE WARNING

Do not touch a hot muffler or cylinder. You may get burned. These parts get extremely hot from operation. When turned off they remain hot for a short time.



- OIL

Refer to operator's manual for the proper type of oil.

RULES FOR SAFE OPERATION

KNOW YOUR UNIT

APPLICATIONS

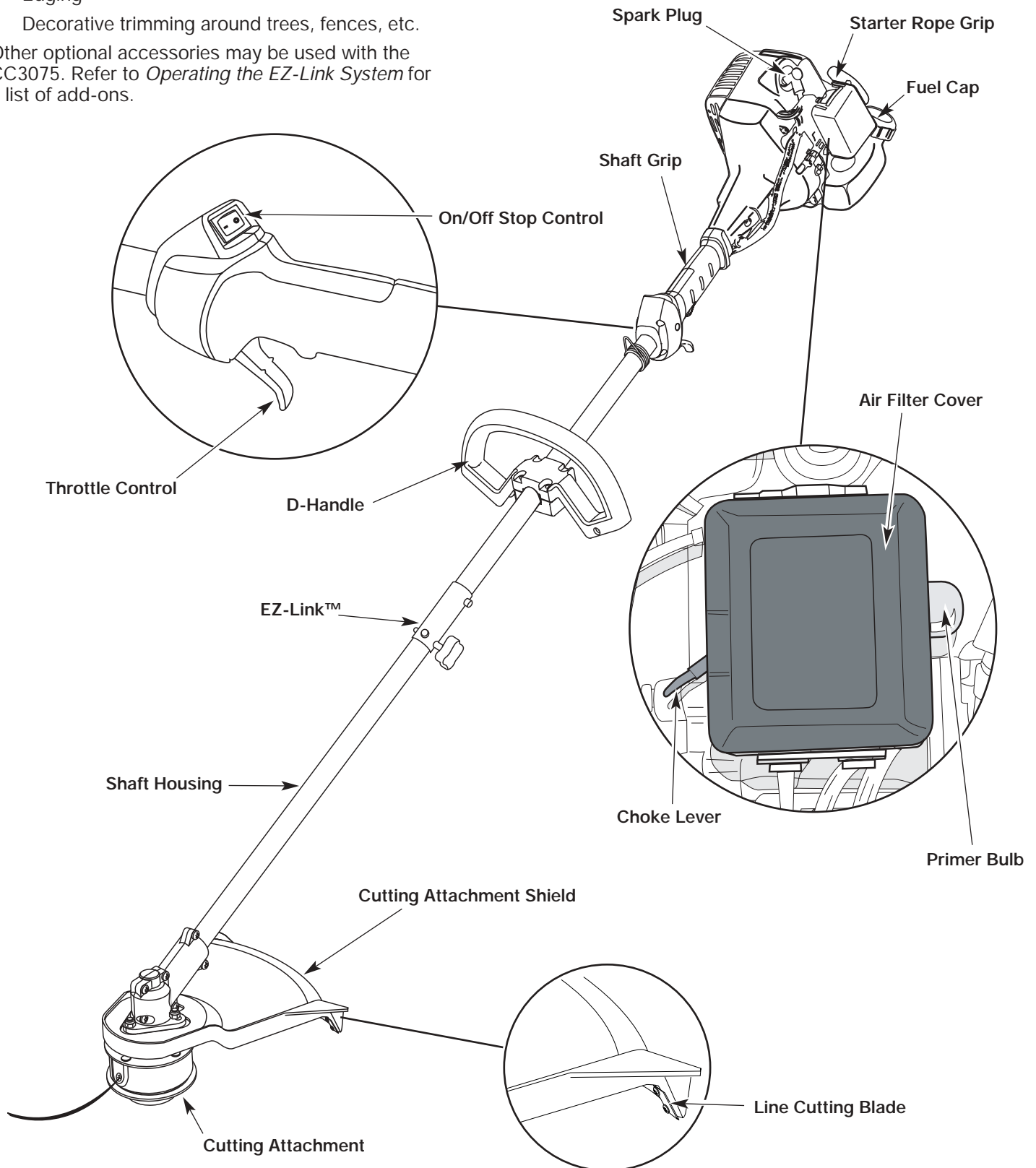
As a trimmer:

- Cutting grass and light weeds.
- Edging
- Decorative trimming around trees, fences, etc.

Other optional accessories may be used with the CC3075. Refer to *Operating the EZ-Link System* for a list of add-ons.

With the optional brushcutter accessory kit:

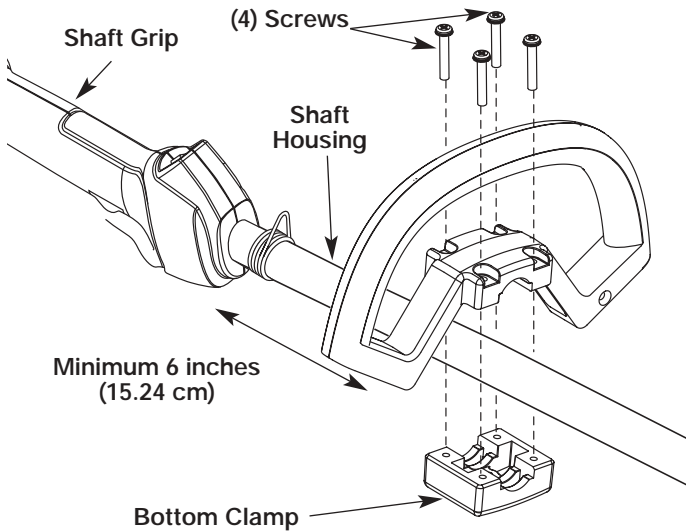
- Cutting weeds and light bush of up to 1/2 inch in diameter



ASSEMBLY INSTRUCTIONS

INSTALL AND ADJUST THE D-HANDLE

1. Remove the screws and bottom clamp piece that were installed on the D-handle for shipping.
2. Place D-handle over the shaft housing and onto the bottom clamp (Fig. 1). Place it a minimum of 6 inches (15.24 cm) from the end of the shaft grip.
3. Start screws with a large Flat-head or T-25 Torx screwdriver. Do not tighten until you make the handle adjustment.
4. If it was pre-installed, loosen the screws on the D-handle just enough to move the D-handle.



5. While holding the unit in the operating position (Fig. 2), move the D-handle to the location that provides you the best grip.
6. Tighten the clamp screws evenly, until the D-handle is secure.



OIL AND FUEL INFORMATION

OIL AND FUEL MIXING INSTRUCTIONS

Old and/or improperly mixed fuel are the main reasons for the unit not running properly. Be sure to use fresh, clean unleaded fuel. Follow the instructions carefully for the proper fuel/oil mixture.

Definition of Blended Fuels

Today's fuels are often a blend of gasoline and oxygenates such as ethanol, methanol, or MTBE (ether). Alcohol-blended fuel absorbs water. As little as 1% water in the fuel can make fuel and oil separate. It forms acids when stored. When using alcohol-blended fuel, use fresh fuel (less than 60 days old).

Using Blended Fuels


If you choose to use a blended fuel, or its use is unavoidable, follow recommended precautions:

- Always use the fresh fuel mix explained in your operator's manual
- Always agitate the fuel mix before fueling the unit
- Drain the tank and run the engine dry before storing the unit

Using Fuel Additives



The bottle of 2-cycle oil that came with your unit contains a fuel additive which will help inhibit corrosion and minimize the formation of gum deposits. It is recommended that you use our 2-cycle oil with this unit.

If unavailable, use a good 2-cycle oil designed for air-cooled engines along with a fuel additive, such as STA-BIL® Gas Stabilizer or an equivalent. Add 0.8 oz. (23 ml.) of fuel additive per gallon of fuel according to the instructions on the container. NEVER add fuel additives directly to the unit's fuel tank.


	CAUTION: For proper engine operation and maximum reliability, pay strict attention to the oil and fuel mixing instructions on the 2-cycle oil container. Using improperly mixed fuel can severely damage the engine.
---	---

Thoroughly mix the proper ratio of 2-cycle engine oil with unleaded gasoline in a separate fuel can. Use a 40:1 fuel/oil ratio. Do not mix them directly in the engine fuel tank. See the table below for specific gas and oil mixing ratios.


NOTE: One gallon (3.8 liters) of unleaded gasoline mixed with one 3.2 oz. (95 ml.) bottle of 2-cycle oil makes a 40:1 fuel/oil ratio.

	+	
UNLEADED GAS		2 CYCLE OIL
1 GALLON US (3.8 LITERS)		3.2 FL. OZ. (95 ml)
1 LITER		25 ml

MIXING RATIO - 40:1

	WARNING: Gasoline is extremely flammable. Ignited Vapors may explode. Always stop the engine and allow it to cool before filling the fuel tank. Do not smoke while filling the tank. Keep sparks and open flames at a distance from the area.
--	--

	WARNING: Remove fuel cap slowly to avoid injury from fuel spray. Never operate the unit without the fuel cap securely in place.
---	--

	WARNING: Add fuel in a clean, well ventilated outdoor area. Wipe up any spilled fuel immediately. Avoid creating a source of ignition for spilt fuel. Do not start the engine until fuel vapors dissipate.
---	---

NOTE: Dispose of the old fuel/oil mix in accordance to Federal, State and Local regulations.

STARTING/STOPPING INSTRUCTIONS



WARNING: Operate this unit only in a well-ventilated outdoor area. Carbon monoxide exhaust fumes can be lethal in a confined area.



WARNING: Avoid accidental starting. Make sure you are in the starting position when pulling the starter rope (Fig. 5). To avoid serious injury, the operator and unit must be in a stable position while starting.

STARTING INSTRUCTIONS

1. Mix gas with oil. Fill fuel tank with fuel/oil mixture. See *Oil and Fuel Mixing Instructions*.
2. Make sure the On/Off Stop Control in the ON (I) position (Fig. 3).
3. Fully press and release the primer bulb 10 times, slowly. Some amount of fuel should be visible in the primer bulb and fuel lines (Fig. 4). If you can't see fuel in the bulb, press and release the bulb as many times as it takes before you can see fuel in it.
4. Place the choke lever in Position 1 (Fig. 4).
5. Crouch in the starting position (Fig. 5) and squeeze the throttle control. Pull the starter rope briskly 4 times.
6. Place the choke lever in Position 2.
7. While squeezing the throttle control, pull the starter rope briskly 1 to 4 times to start the engine.
8. Keep the throttle squeezed and allow the engine to warm up for 15 to 30 seconds.
9. Place the choke lever in Position 3. The unit is ready for use.

NOTE: Move choke lever to Position 3 for best engine performance. DO NOT leave the lever in Position 2.

IF... The engine does not start, go back to step 3.

IF... The engine fails to start after a few attempts, place the choke lever in Position 3 and squeeze the throttle control. Pull the starter rope briskly 3 to 8 times. The engine should start. If not, repeat.

IF WARM... If the engine is already warm, make sure the On/Off Stop control is in the ON position and start the unit with the choke lever in Position 2. After the unit starts, move the choke lever to Position 3.

STOPPING INSTRUCTIONS

1. Release your finger from the throttle control. Allow the engine to cool down by idling.
2. Put the On/Off Stop Control in the OFF (O) position (Fig. 3).

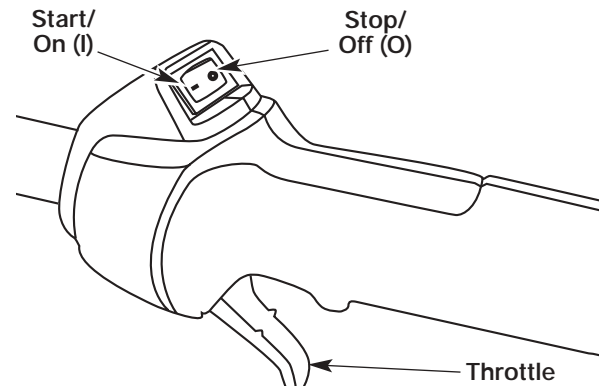


Fig. 3

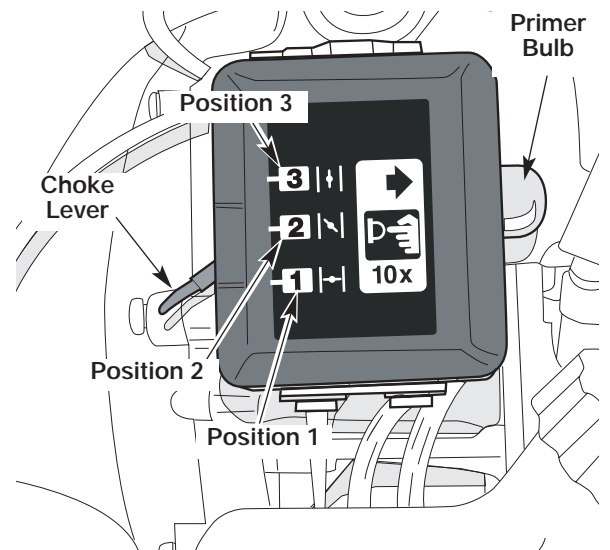


Fig. 4

Starting Position

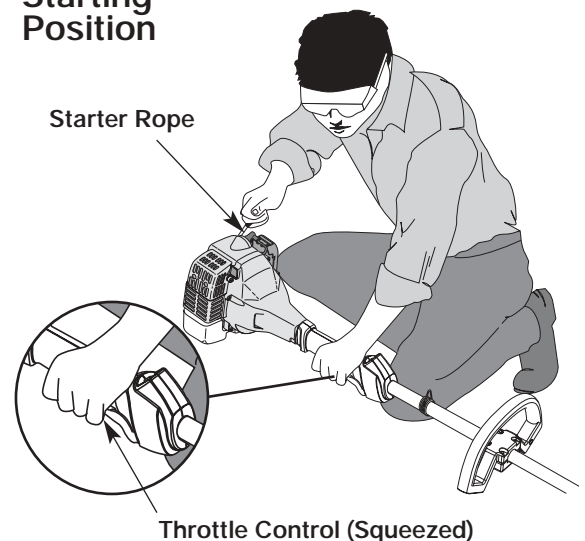


Fig. 5

OPERATING INSTRUCTIONS

OPERATING THE EZ-LINK™ SYSTEM

The EZ-Link™ system enables the use of these optional Add-Ons.

Cultivator	TBGC
Edger	TBLE
Hedge Trimmer	TBAH
Straight Shaft Trimmer	TBSS
Turbo Blower	TBTB
Pole Saw	TBPS
Brushcutter	TBBC*

*Do NOT use this attachment with an electric powered product.

	WARNING: Before you begin using any attachment, read and understand the manual that came with the attachment. Follow all safety information contained within.
--	--

	WARNING: To avoid serious personal injury and damage to the unit, shut the unit off before removing or installing add-ons.
--	---

Removing the Cutting Attachment or Add-Ons

1. Turn the knob counterclockwise to loosen (Fig. 6).
2. Press and hold the release button (Fig. 6).
3. While firmly holding the upper shaft housing, pull the cutting attachment or add-on straight out of the EZ-Link™ coupler (Fig. 7).

Installing the Cutting Attachment or Add-Ons

NOTE: To make installing or removing the add-on easier, place the unit on the ground or on a work bench.

1. Turn knob counterclockwise to loosen (Fig. 6).

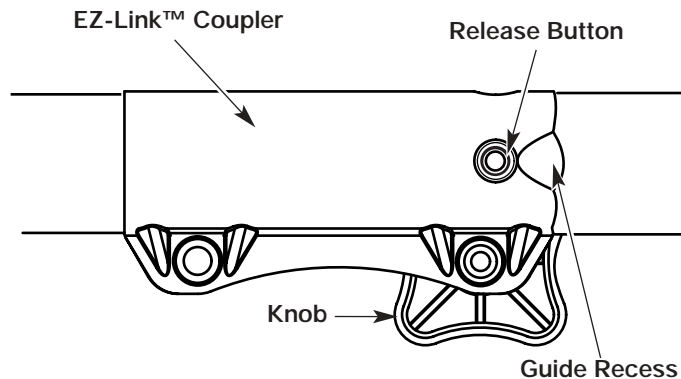


Fig. 6

2. While firmly holding the add-on, push it straight into the EZ-Link™ coupler (Fig. 7).

NOTE: Aligning the release button with the guide recess will help installation (Fig. 6).

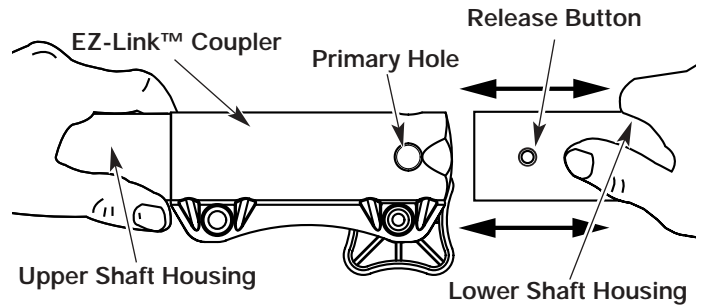


Fig. 7

3. Turn the knob clockwise to tighten (Fig. 8).

	CAUTION: Lock the release button in the primary hole (Fig. 10) and securely tighten the knob before operating this unit.
--	---

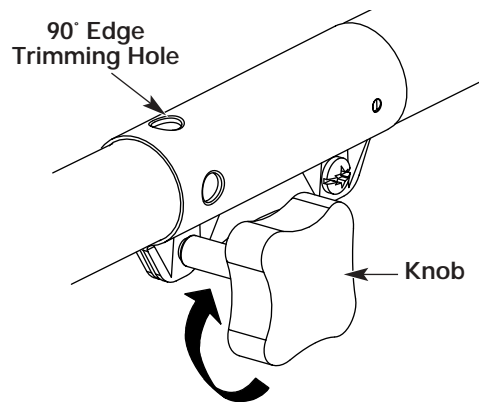


Fig. 8

	CAUTION: The add-ons with the coupler system is to be used in the primary hole only. Using the wrong hole could lead to personal injury or damage to the unit.
--	---

For decorative trimming/edging with the **line head cutting attachment**, lock the release button of the cutting attachment into the 90° hole (Fig. 8).

OPERATING INSTRUCTIONS

HOLDING THE TRIMMER



WARNING: Always wear eye, hearing, foot and body protection to reduce the risk of injury when operating this unit.

Before operating the unit, stand in the operating position (Fig. 9). Check for the following:

- The operator is wearing eye protection and proper clothing
- With a slightly-bent right arm, the operator's hand is holding the shaft grip
- The operator's left arm is straight, the left hand holding the D-handle
- The unit is at waist level
- The cutting attachment is parallel to the ground and easily contacts the grass without the need to bend over



Fig. 9

ADJUSTING TRIMMING LINE LENGTH

The Bump Head™ cutting attachment allows you to release trimming line without stopping the engine. To release more line, lightly tap the cutting attachment on the ground (Fig. 10) while operating the trimmer at high speed.

NOTE: Always keep the trimming line fully extended. Line release becomes more difficult when the cutting line gets shorter.

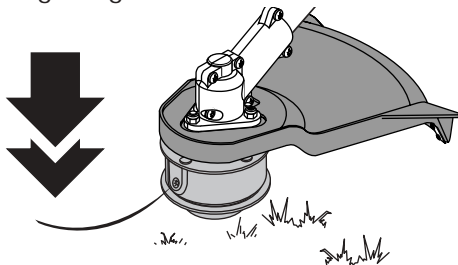


Fig. 10

Each time the head is bumped, about 1 inch (25.4 mm) of trimming line releases. A blade in the cutting attachment shield will cut the line to the proper length if any excess line is released.

For best results, tap the bump knob on bare ground or hard soil. If you attempt a line release in tall grass, the engine may stall. Always keep the trimming line fully extended. Line release becomes more difficult when the cutting line gets shorter.

NOTE: Do not rest the Bump Head™ on the ground while the unit is running.

Some line breakage will occur from:

- Entanglement with foreign matter
- Normal line fatigue
- Attempting to cut thick, stalky weeds
- Forcing the line into objects such as walls or fence posts



CAUTION: Do not remove or alter the line cutting blade assembly. Excessive line length will make the clutch overheat. This may lead to serious personal injury or damage to the unit.

TIPS FOR BEST TRIMMING RESULTS

- Keep the cutting attachment parallel to the ground.
- Do not force the cutting attachment. Allow the tip of the line to do the cutting, especially along walls. Cutting with more than the tip will reduce cutting efficiency and may overload the engine.
- Cut grass over 8 inches (200 mm) by working from top to bottom in small increments to avoid premature line wear or engine drag.
- Cut from right to left whenever possible. Cutting to the left improves the unit's cutting efficiency. Clippings are thrown away from the operator.
- Slowly move the trimmer into and out of the cutting area at the desired height. Move either in a forward-backward or side-to-side motion. Cutting shorter lengths produces the best results.
- Trim only when grass and weeds are dry.
- The life of your cutting line is dependent upon:
 - Following the trimming techniques
 - What vegetation is being cut
 - Where vegetation is cut

For example, the line will wear faster when trimming against a foundation wall as opposed to trimming around a tree.

DECORATIVE TRIMMING

Decorative trimming is accomplished by removing all vegetation around trees, posts, fences and more.

Rotate the whole unit so that the cutting attachment is at a 30° angle to the ground (Fig. 11).

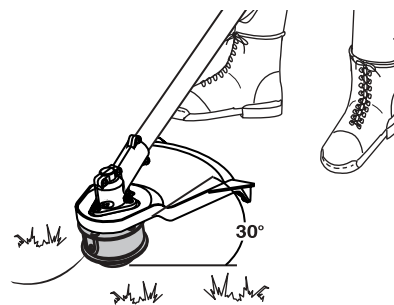


Fig. 11

MAINTENANCE AND REPAIR INSTRUCTIONS

MAINTENANCE SCHEDULE

Perform these required maintenance procedures at the frequency stated in the table. These procedures should also be a part of any seasonal tune-up.

NOTE: Some maintenance procedures may require special tools or skills. If you are unsure about these procedures take your unit to any non-road engine repair establishment, individual or authorized service dealer.



WARNING: To prevent serious injury, never perform maintenance or repairs with unit running. Always service and repair a cool unit. Disconnect the spark plug wire to ensure that the unit cannot start.

NOTE: Maintenance, replacement, or repair of the emission control devices and system may be performed by any non-road engine repair establishment, individual or authorized service dealer.

In order to assure peak performance of your engine, inspection of the engine exhaust port may be necessary after 50 hours of operation. If you notice lost RPM, poor performance or general lack of acceleration, this service may be required. If you feel your engine is in need of this inspection, refer service to any non-road engine repair establishment, individual or authorized service dealer for repair. **DO NOT** attempt to perform this process yourself as engine damage may result from contaminants involved in the cleaning process for the port.

FREQUENCY	MAINTENANCE REQUIRED	REFER TO
Before starting engine	Fill fuel tank with fresh fuel	Page 8
Every 10 hours	Clean and re-oil air filter	Page 14
Every 25 hours	Check spark plug condition and gap	Page 16
Every 50 hours	Inspect exhaust port for clogging or obstruction to assure maximum performance levels	

LINE INSTALLATION

This section covers both SplitLine™ and standard single line installation.

Always use original equipment manufacturer 0.105 in. (2.67 mm) replacement line. Other types of line may make the engine overheat or fail.



WARNING: Never use metal-reinforced line, wire, chain or rope. These can break off and become dangerous projectiles.

There are two methods to replace the trimming line:

- Wind the inner reel with new line
- Install a prewound inner reel

Winding the Existing Inner Reel

1. Hold the outer spool with one hand and unscrew the Bump Knob clockwise (Fig. 12). Inspect the bolt inside the bump knob to make sure it moves freely. Replace the bump knob if damaged.
2. Remove the inner reel from the outer spool (Fig. 12).
3. Remove spring from the inner reel (Fig. 12).
4. Use a clean cloth to clean the the inner reel, spring, shaft and inner surface of the outer spool.
5. Check the indexing teeth on the inner reel and outer spool for wear (Fig. 13). If necessary, remove burrs or replace the reel and spool.

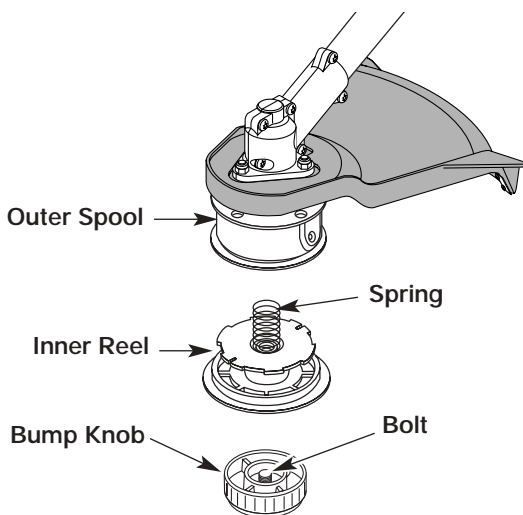


Fig. 12

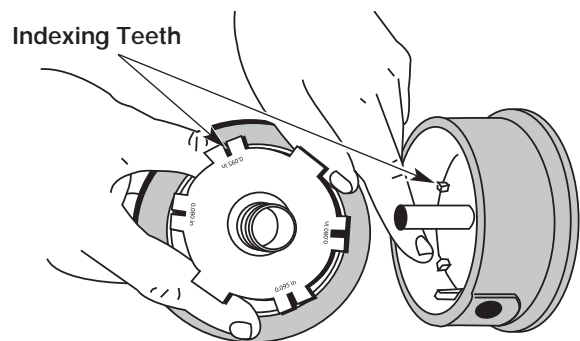
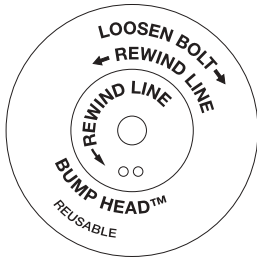


Fig. 13

MAINTENANCE AND REPAIR INSTRUCTIONS

For Use with Single Line ONLY



For Use with SplitLine™ or Single Line

Slotted Holes

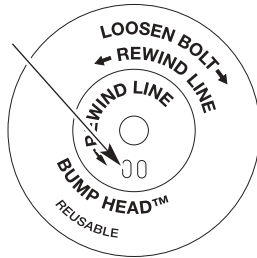


Fig. 14

NOTE: SplitLine™ can only be used with the inner reel with the slotted holes. Single line can be used on either type of inner reel. Use Figure 14 to identify the inner reel you have.

NOTE: Always use the correct line length when installing trimming line on the unit. The line may not release properly if the line is too long.

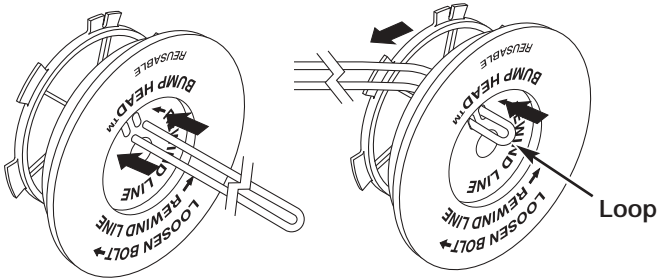


Fig. 15

Single Line Installation

Go To Step 8 for SplitLine™ Installation

- Take approximately 18 feet (6 m) of new trimming line, loop it into two equal lengths. Insert each end of the line through one of the two holes in the inner reel (Fig. 15). Pull the line through the inner reel so that the loop is as small as possible.
- Wind the lines in tight even layers, onto the reel (Fig. 16). Wind the line in the direction indicated on the inner reel. Place your index finger between the two lines to stop the lines from overlapping. Do not overlap the ends of the line. Proceed to step 11.

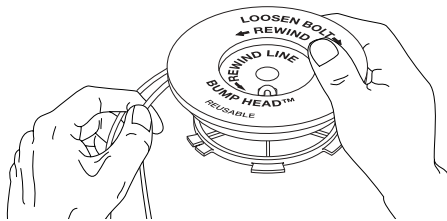


Fig. 16

SplitLine™ Installation

- Take approximately 9 feet (3 m) of new trimming line. Insert one end of the line through one of the two holes in the inner reel (Fig. 16). Pull the line through the inner reel until only about 4 inches is left out.

- Insert the end of the line into the open hole in the inner reel and pull the line tight to make the loop as small as possible (Fig. 17).
- Before winding, split the line back about 6 inches.
- Wind the line in tight even layers in the direction indicated on the inner reel.

NOTE: Failure to wind the line in the direction indicated will cause the cutting attachment to operate incorrectly.

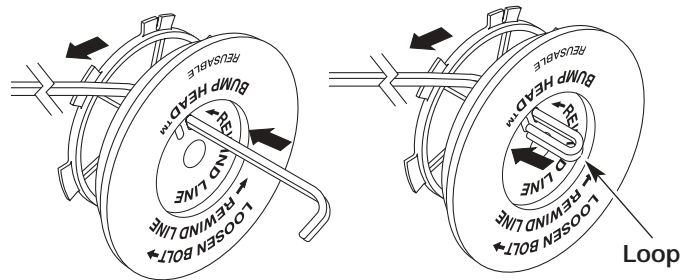


Fig. 17

- Insert the ends of the line into the two holding slots (Fig. 18).
- Insert the ends of the line through the eyelets in the outer spool and place inner reel with spring inside the outer spool (Fig. 19). Push the inner reel and outer spool together. While holding the inner reel and outer spool, grasp the ends and pull firmly to release the line from the holding slots in the reel.

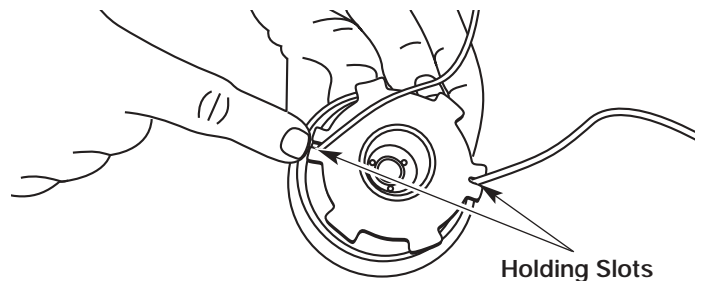


Fig. 18

NOTE: The spring must be assembled on the inner reel before reassembling the cutting attachment.

- Hold the inner reel in place and install the bump knob by turning counterclockwise. Tighten securely.

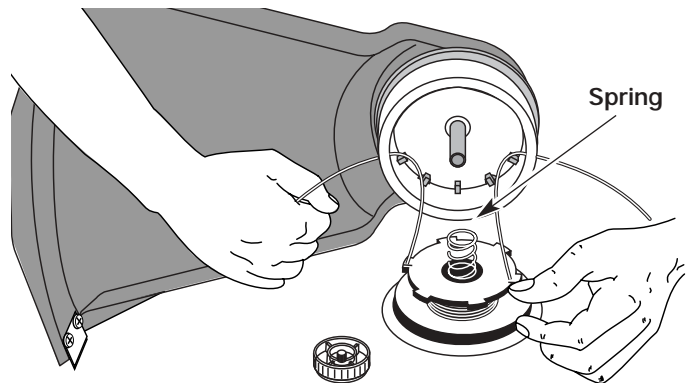


Fig. 19

MAINTENANCE AND REPAIR INSTRUCTIONS

INSTALLING A PREWOUND REEL

1. Hold the outer spool with one hand and unscrew the bump knob clockwise (Fig. 12). Inspect the bolt inside the bump knob to make sure it moves freely. Replace the bump knob if damaged.
2. Remove the old inner reel from the outer spool (Fig. 12).
3. Remove the spring from the old inner reel (Fig. 12).
4. Place the spring in the new inner reel.

NOTE: The spring must be assembled on the inner reel before reassembling the cutting attachment.

5. Insert the ends of the line through the eyelets in the outer spool (Fig. 19).
6. Place the new inner reel inside the outer spool. Push the inner reel and outer spool together. While holding the inner reel and outer spool, grasp the ends and pull firmly to release the line from the holding slots in the spool.
7. Hold the inner reel in place and install the bump knob by turning counterclockwise. Tighten securely.

AIR FILTER MAINTENANCE

Cleaning the Air Filter



WARNING: To avoid serious personal injury, always turn your unit off and allow it to cool before you clean or service it.

Clean and re-oil the air filter every 10 hours of operation. It is an important item to maintain. Failure to maintain your air filter properly can result in poor performance or can cause permanent damage to your engine.

1. Remove the carburetor/air filter cover by pushing on the tab on top of the cover (Fig. 20).
2. Remove the air filter (Fig. 21).
3. Wash the filter in detergent and water. Rinse the filter thoroughly and allow it to dry.
4. Apply enough clean SAE 30 motor oil to lightly coat the filter (Fig. 22).
5. Squeeze the filter to spread and remove excess oil (Fig. 22).
6. Reinstall the filter (Fig. 21) and air filter cover.

NOTE: Operating the unit without the air filter and air filter/muffler cover assembly will VOID the warranty.

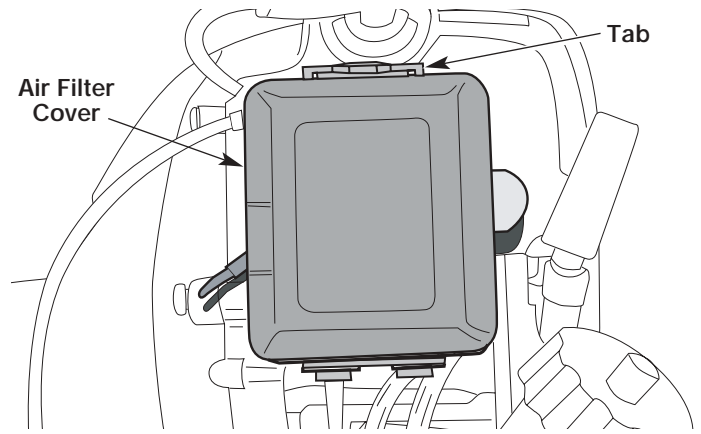


Fig. 20

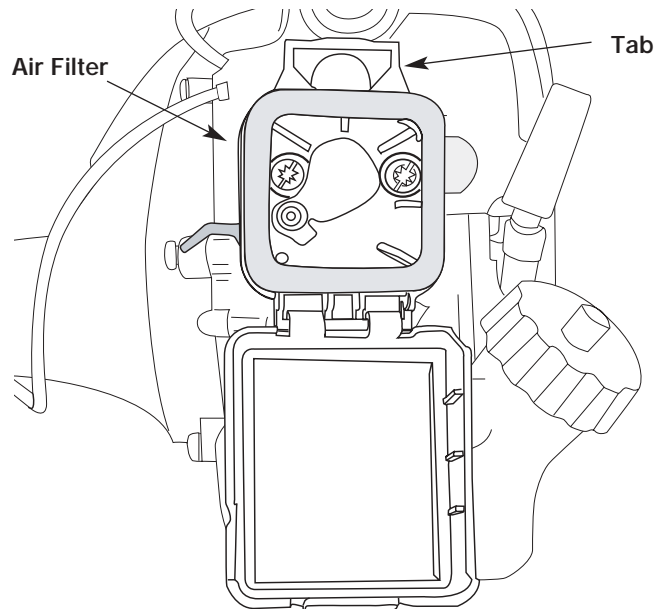


Fig. 21

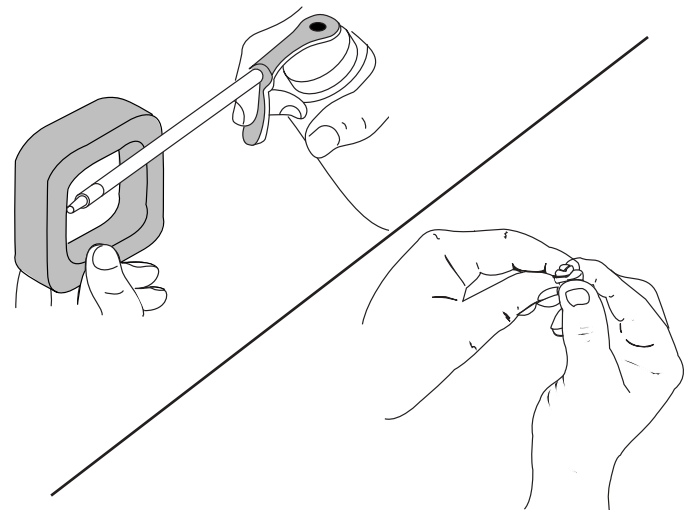


Fig. 22

MAINTENANCE AND REPAIR INSTRUCTIONS

CARBURETOR ADJUSTMENT

The idle speed of the engine is adjustable through the air filter/muffler cover (Fig. 23).

NOTE: Careless adjustments can seriously damage your unit. An authorized service dealer should make carburetor adjustments.

Check Fuel Mixture

Old and/or improperly mixed fuel is usually the reason for improper unit performance. Drain and refill the tank with fresh, properly-mixed fuel prior to making any adjustments. Refer to *Oil and Fuel Information*.

Clean Air Filter

The condition of the air filter is important to the operation of the unit. A dirty air filter will restrict air flow and change the air/fuel mixture. This is often mistaken for an out of adjustment carburetor. Check the condition of the air filter before adjusting the idle speed screw. Refer to *Air Filter Maintenance*.

Adjust Idle Speed Screw

If, after checking the fuel mixture and cleaning the air filter, the engine still will not idle, adjust the idle speed screw as follows:

1. Start the engine and let it run at a high idle for a minute to warm up. Refer to *Starting/Stopping Instructions*.

2. Release the throttle trigger and let the engine idle. If the engine stops, insert a small phillips or flat blade screwdriver into the hole in the air filter/muffler cover (Fig. 23). Turn the idle speed screw in, **clockwise**, 1/8 of a turn at a time (as needed) until the engine idles smoothly.

NOTE: The cutting attachment should not rotate when the engine idles.

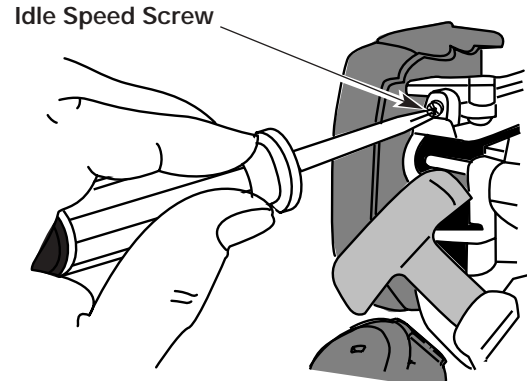


Fig. 23

3. If the cutting attachment rotates when the engine idles, turn the idle speed screw **counterclockwise** 1/8 of a turn at a time (as needed), to reduce idle speed.

Checking the fuel mixture, cleaning the air filter, and adjusting the idle speed should solve most engine problems. If not and all of the following are true:

- the engine will not idle
- the engine hesitates or stalls on acceleration
- there is a loss of engine power

Have the carburetor adjusted by an authorized service dealer.



WARNING: The cutting attachment may spin during idle speed adjustments. Wear protective clothing and observe all safety instructions to prevent serious personal injury.



WARNING: To prevent serious personal injury, make sure the cutting attachment has stopped rotating before you turn it off and set it down.

MAINTENANCE AND REPAIR INSTRUCTIONS

REPLACING THE SPARK PLUG

Use a Champion RDJ7Y spark plug, or equivalent. The correct air gap is **0.025 inch (0.65 mm)**. Remove the plug after every 25 hours of operation and check its condition.

1. Stop the engine and allow it to cool. Grasp the plug wire firmly and pull it from the spark plug.
2. Clean around the spark plug. Remove the spark plug from the cylinder head by turning a 5/8-inch socket counterclockwise.



WARNING: Do not sand blast, scrape or clean electrodes. Grit in the engine could damage the cylinder.

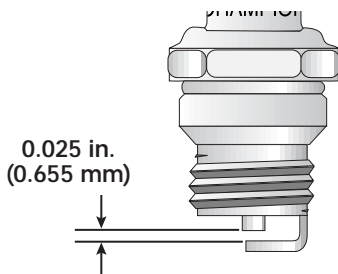


Fig. 24

3. Replace a cracked, fouled or dirty spark plug. Set the air gap at **0.025 in. (0.655 mm)** using a feeler gauge (Fig. 24).
4. Install a correctly-gapped spark plug in the cylinder head. Tighten by turning the 5/8-inch socket clockwise until snug.

If using a torque wrench torque to **110-120 in. • lb. (12.3-13.5 N • m)**. **Do not over tighten.**

TRANSPORTING

- Allow the engine to cool before transporting.
- Drain fuel from unit.
- Tighten fuel cap before transporting.
- Secure the unit while transporting.

CLEANING



WARNING: To avoid serious personal injury, always turn your trimmer off and allow it to cool before you clean or maintain it.

Use a small brush to clean off the outside of the unit. Do not use strong detergents. Household cleaners that contain aromatic oils such as pine and lemon, and solvents such as kerosene, can damage plastic housing or handle. Wipe off any moisture with a soft cloth.

STORAGE

- Never store a fueled unit where fumes may reach an open flame or spark.
- Allow the engine to cool before storing.
- Store the unit locked up to prevent unauthorized use or damage.
- Store the unit in a dry, well-ventilated area.
- Store the unit out of the reach of children.

LONG TERM STORAGE

If you plan on storing the unit for an extended time, use the following storage procedure:

1. Drain all fuel from the fuel tank into a container with the same 2-cycle fuel mixture. Do not use fuel that has been stored for more than 60 days. Dispose of the old fuel/oil mix in accordance to Federal, State and Local regulations.
2. Start the engine and allow it to run until it stalls. This ensures that all fuel has been drained from the carburetor.
3. Allow the engine to cool. Remove the spark plug and put 1 oz. (30 ml) of any high quality motor oil or 2-cycle oil into the cylinder. Pull the starter rope slowly to distribute the oil. Reinstall the spark plug.

NOTE: Remove the spark plug and drain all of the oil from the cylinder before attempting to start the trimmer after storage.

4. Thoroughly clean the unit and inspect it for any loose or damaged parts. Repair or replace damaged parts and tighten loose screws, nuts or bolts. The unit is ready for storage.

TROUBLESHOOTING

ENGINE WILL NOT START

CAUSE

Empty fuel tank
Primer bulb wasn't pressed enough
Engine is flooded
Old or improperly mixed fuel
Fouled spark plug
The outside temperature is below 40° F
The outside temperature is above 90° F

ACTION

Fill fuel tank with properly mixed fuel
Press primer bulb fully and slowly 10 times
Squeeze the trigger and pull the starter rope
Drain gas tank and add fresh fuel mixture
Replace or clean the spark plug
Pull the starter rope up to 10-15 times
Squeeze the throttle control and pull the starter rope

ENGINE WILL NOT IDLE

CAUSE

Air filter is plugged
Old or improperly mixed fuel
Improper carburetor adjustment

ACTION

Replace or clean the air filter
Drain gas tank and add fresh fuel mixture
Adjust according to the *Carburetor Adjustments* section

ENGINE WILL NOT ACCELERATE

CAUSE

Old or improperly mixed fuel
Improper carburetor adjustment
Cutting attachment bound with grass
Dirty air filter

ACTION

Drain gas tank and add fresh fuel mixture
Take to an authorized service dealer for an adjustment
Stop the engine and clean the cutting attachment
Clean or replace the air filter

ENGINE LACKS POWER OR STALLS WHEN CUTTING

CAUSE

Old or improperly mixed fuel
Improper carburetor adjustment
Fouled spark plug

ACTION

Drain gas tank and add fresh fuel mixture
Take to an authorized service dealer for an adjustment
Replace or clean the spark plug

CUTTING ATTACHMENT WILL NOT ADVANCE LINE

CAUSE

Cutting attachment bound with grass
Cutting attachment out of line
Inner reel bound up
Cutting head dirty
Line welded
Line twisted when refilled
Not enough line is exposed

ACTION

Stop the engine and clean cutting attachment
Refill with new line
Replace the inner reel
Clean inner reel and outer spool
Disassemble, remove the welded section and rewind
Disassemble and rewind the line
Push the bump knob and pull out line until 4 inches (102 mm) of line is outside of the cutting attachment

CUTTING LINE ADVANCES UNCONTROLLABLY

CAUSE

Oil, cleaner or lubricant in cutting head

ACTION

Clean and thoroughly dry the cutting head

If further assistance is required, contact your authorized service dealer.

SPECIFICATIONS

ENGINE*

Engine Type.....	Air-Cooled, 2-Cycle
Stroke.....	1.25 in. (31.75 mm)
Displacement.....	1.4 cu in. (25 cc)
Clutch Type	Centrifugal
Idle Speed RPM	2,400 - 3,600 rpm
Operating RPM.....	6,500+ rpm
Ignition Type.....	Electronic
Ignition Switch.....	Toggle Switch
Spark Plug Gap.....	0.025 in. (0.655 mm)
Lubrication.....	Fuel/Oil Mixture
Fuel/Oil Ratio.....	40:1
Carburetor	Diaphragm, All-Position
Starter.....	Auto Rewind
Muffler	Baffled with Guard
Throttle.....	Manual Spring Return
Fuel Tank Capacity.....	20 oz. (591 ml)

DRIVE SHAFT & CUTTING ATTACHMENT*

Drive Shaft Housing	(EZ-Link) Steel Tube
Throttle Control	Finger-Tip Trigger
Approximate Unit Weight (No fuel, with cutting attachment, shield and D-handle).....	9.5 lbs. (4.25 kg)
Cutting Mechanism.....	Dual String Cutting Head
Line Spool.....	Bump Line Releaser
Line Spool Diameter	4 inches (101.6 mm)
Trimming Line Diameter	0.105 inches (2.67 mm)
Cutting Path Diameter	17 inches (43.18 cm)

*All specifications are based on the latest product information available at the time of printing. We reserve the right to make changes at any time without notice.

California / EPA Emission Control Warranty Statement

Your Warranty Rights and Obligations

The California Air Resources Board, the Environmental Protection Agency and Cub Cadet LLC (Cub Cadet) are pleased to explain the emission control system warranty on your 2005 and later small off-road engine. New small off-road engines must be designed, built and equipped to meet stringent anti-smog standards. Cub Cadet must warrant the emission control system on your small off-road engine for the periods of time listed below provided there has been no abuse, neglect or improper maintenance of your small off-road engine.

Your emission control system may include parts such as the carburetor or fuel-injected system, the ignition system, and catalytic converter. Also included may be hoses, belts, connectors and other emission-related assemblies.

Where a warrantable condition exists, Cub Cadet will repair your small off-road engine at no cost to you including diagnosis, parts and labor.

The 2005 and later small off-road engines are warranted for two years. If any emission-related part on your engine is defective, the part will be repaired or replaced by Cub Cadet.

Owners Warranty Responsibilities

- As the small off-road engine owner, you are responsible for the performance of the required maintenance listed in your operator's manual. Cub Cadet recommends that you retain all receipts covering maintenance on your small off-road engine, but Cub Cadet cannot deny warranty solely for the lack of receipts or for your failure to ensure the performance of all scheduled maintenance.
- As the small off-road engine owner, you however should be aware that Cub Cadet may deny you warranty coverage if your small off-road engine or a part has failed due to abuse, neglect, improper maintenance or unapproved modifications.
- You are responsible for presenting your small off-road engine to a Cub Cadet Authorized Service Center as soon as a problem exists. The warranty repairs should be completed in a reasonable amount of time, not to exceed 30 days.

If you have any questions regarding your warranty rights and responsibilities, you should call 1-877-282-8684.

Manufacturer's Warranty Coverage

- The warranty period begins on the date the engine or equipment is delivered to the retail purchaser.
- The manufacturer warrants to the initial owner and each subsequent purchaser, that the engine is free from defects in material and workmanship which cause the failure of a warranted part for a period of two years.
- Repair or replacement of warranted part will be performed at no charge to the owner at an Authorized Cub Cadet Service Center. For the nearest location please contact Cub Cadet at: 1-877-282-8684.
- Any warranted part which is not scheduled for replacement, as required maintenance or which is scheduled for only for regular inspection to the effect of "Repair or Replace as Necessary" is warranted for the warranty period. Any warranted part which is scheduled for replacement as required maintenance will be warranted for the period of time up to the first scheduled replacement point for that part.
- The owner will not be charged for diagnostic labor which leads to the determination that a warranted part is defective, if the diagnostic work is performed at an Authorized Cub Cadet Service Center.
- The manufacturer is liable for damages to other engine components caused by the failure of a warranted part still under warranty.
- Failures caused by abuse, neglect or improper maintenance are not covered under warranty.
- The use of add-on or modified parts can be grounds for disallowing a warranty claim. The manufacturer is not liable to cover failures of warranted parts caused by the use of add-on or modified parts.
- In order to file a claim, go to your nearest Authorized Cub Cadet Service Center. Warranty services or repairs will be provided at all Authorized Cub Cadet Service Centers.
- Any manufacturer approved replacement part may be used in the performance of any warranty maintenance or repair of emission related parts and will be provided without charge to the owner. Any replacement part that is equivalent in performance or durability may be used in non-warranty maintenance or repair and will not reduce the warranty obligations of the manufacturer
- The following components are included in the emission related warranty of the engine, air filter, carburetor, primer, fuel lines, fuel pick up/ fuel filter, ignition module, spark plug and muffler.

MANUFACTURER'S LIMITED WARRANTY FOR:



The limited warranty set forth below is given by Cub Cadet LLC with respect to new merchandise purchased and used in the United States, its possessions and territories.

Cub Cadet LLC warrants this product against defects in material and workmanship for a period of two (2) years commencing on the date of original purchase and will, at its option, repair or replace, free of charge, any part found to be defective in material or workmanship. This limited warranty shall only apply if this product has been operated and maintained in accordance with the Operator's Manual furnished with the product, and has not been subject to misuse, abuse, commercial use, neglect, accident, improper maintenance, alteration, vandalism, theft, fire, water or damage because of other peril or natural disaster. Damage resulting from the installation or use of any accessory or attachment not approved by Cub Cadet LLC for use with the product(s) covered by this manual will void your warranty as to any resulting damage. This warranty is limited to ninety (90) days from the date of original retail purchase for any Cub Cadet product that is used for rental or commercial purposes, or any other income-producing purpose.

HOW TO OBTAIN SERVICE: Warranty service is available, WITH PROOF OF PURCHASE THROUGH YOUR LOCAL AUTHORIZED SERVICE DEALER. To locate the dealer in your area, visit our website at www.cubcadet.com, check for a listing in the Yellow Pages, call **1-877-282-8684** or write to P.O. Box 361131, Cleveland, OH 44136-0019.

This limited warranty does not provide coverage in the following cases:

- A. Tune-ups - Spark Plugs, Carburetor Adjustments, Filters
- B. Wear items - Bump Knobs, Outer Spools, Cutting Line, Inner Reels, Starter Pulley, Starter Ropes, Drive Belts
- C. Cub Cadet LLC does not extend any warranty for products sold or exported outside of the United States of America, its possessions and territories, except those sold through Cub Cadet's authorized channels of export distribution.

Cub Cadet LLC reserves the right to change or improve the design of any Cub Cadet Product without assuming any obligation to modify any product previously manufactured.

No implied warranty, including any implied warranty of merchantability or fitness for a particular purpose, applies after the applicable period of express written warranty above as to the parts as identified. No other express warranty or guaranty, whether written or oral, except as mentioned above, given by any person or entity, including a dealer or retailer, with respect to any product shall bind Cub Cadet LLC. During the period of the Warranty, the exclusive remedy is repair or replacement of the product as set forth above. (Some states do not allow limitations on how long an implied warranty lasts, so the above limitation may not apply to you.)

The provisions as set forth in this Warranty provide the sole and exclusive remedy arising from the sales. Cub Cadet LLC shall not be liable for incidental or consequential loss or damages including, without limitation, expenses incurred for substitute or replacement lawn care services, for transportation or for related expenses, or for rental expenses to temporarily replace a warranted product. (Some states do not allow limitations on how long an implied warranty lasts, so the above limitation may not apply to you.)

In no event shall recovery of any kind be greater than the amount of the purchase price of the product sold. Alteration of the safety features of the product shall void this Warranty. You assume the risk and liability for loss, damage, or injury to you and your property and/or to others and their property arising out of the use or misuse or inability to use the product.

This limited warranty shall not extend to anyone other than the original purchaser, original lessee or the person for whom it was purchased as a gift.

How State Law Relates to this Warranty: This warranty gives you specific legal rights, and you may also have other rights which vary from state to state.

To locate your nearest service dealer dial **1-877-282-8684**.

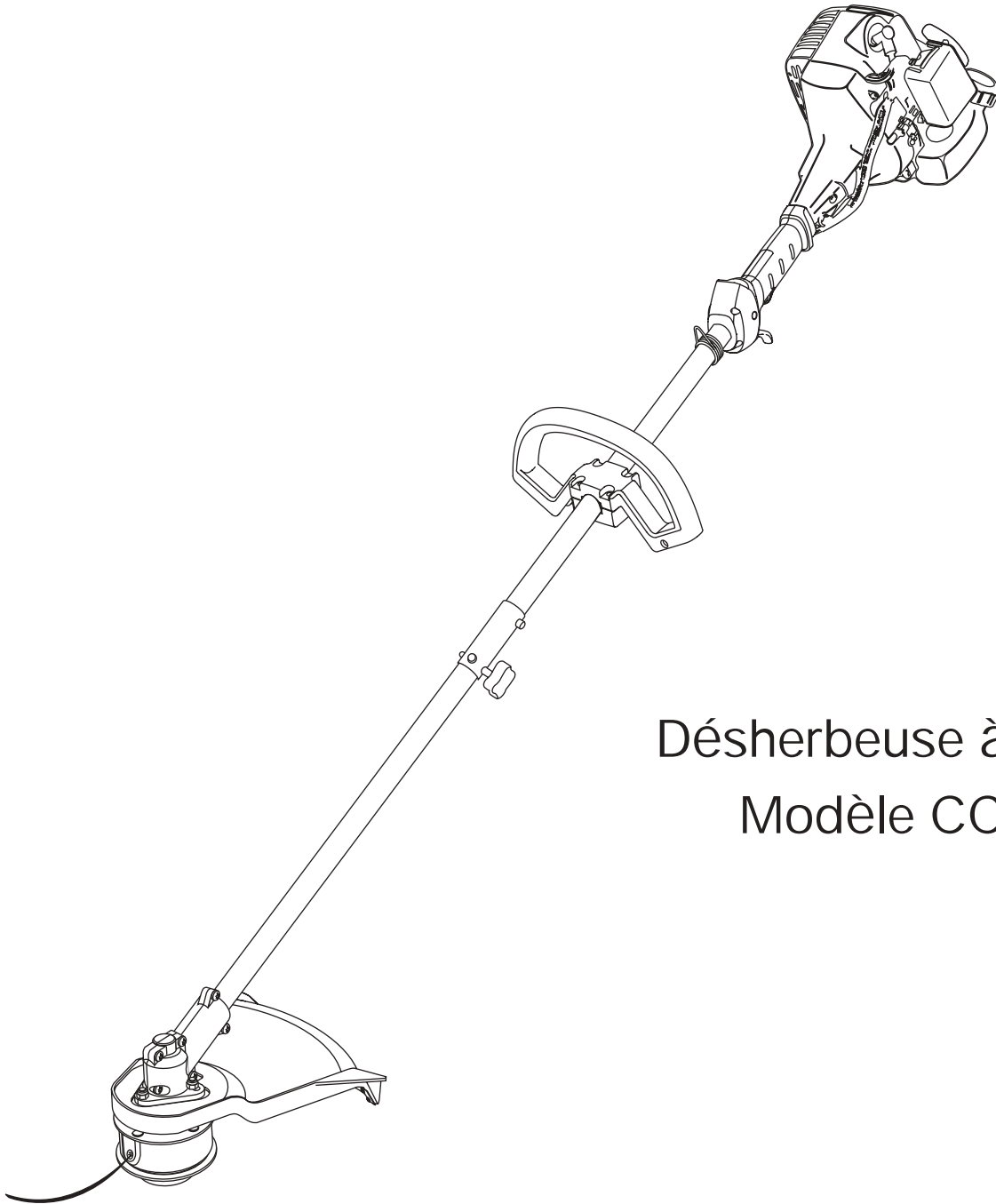
Cub Cadet LLC

P.O. Box 361131

Cleveland, OH 44136-0019

Cub Cadet

Manuel de L'utilisateur



Désherbeuse à 2-temps
Modèle CC 3075

IMPORTANT: LISEZ LES RÈGLES ET CONSIGNES DE SÉCURITÉ SOIGNEUSEMENT

P/N 769-01388 (2/05)

INTRODUCTION

TOUS NOS REMERCIEMENTS

Nous vous remercions d'avoir acheté ce produit de qualité. Cet outil mécanique de plein air moderne est conçu pour vous rendre service pendant longtemps. Il vous sauvera beaucoup de temps comme vous pourrez vous en rendre compte. Ce manuel de l'utilisateur comporte un mode d'emploi facile à comprendre. Prenez soin de lire le manuel au complet et suivez toutes ses instructions à la lettre afin de conserver votre nouvel outil mécanique de plein air en excellent état de fonctionnement.

RÉFÉRENCES, ILLUSTRATIONS ET SPÉCIFICATIONS RELATIVES AU PRODUIT

Toutes les informations, illustrations et spécifications contenues dans ce manuel tiennent compte des dernières informations techniques disponibles au moment de mettre sous presse. Nous nous réservons le droit d'y apporter des modifications à tout moment, sans préavis.

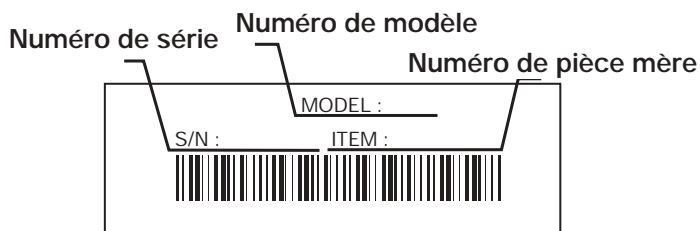
Copyright© 2005 MTD SOUTHWEST INC., Tous droits réservés.

INFORMATIONS D'ENTRETIEN

Tout entretien effectué sur cet appareil pendant et après la période de garantie doit être fait par un concessionnaire agréé uniquement. Obtenez la liste des concessionnaires agréés appelez le **1-877-282-8684**. Pour de plus amples informations à propos de votre appareil, visitez www.cubcadet.com.

NE RETOURNEZ PAS L'APPAREIL AU DÉTAILLANT CHEZ QUI VOUS L'AVEZ ACHETÉ. TOUT SERVICE SOUS GARANTIE NÉCESSITE UNE PREUVE D'ACHAT.

Avant d'assembler votre nouvel équipement, repérez la plaque signalétique de l'appareil et copiez ses informations dans l'espace ci-dessous. Ces informations sont essentielles si vous désirez obtenir de l'aide auprès de notre service technique ou d'un distributeur agréé. Un exemple de plaque signalétique est présenté ci-dessous.



Copiez le numéro de modèle / pièce mère ici : _____

Copiez le numéro de série ici : _____

Prenez soin de lire et de bien comprendre ce manuel avant de démarrer ou de faire fonctionner cet équipement.

CE PRODUIT EST COUVERT PAR UN OU PLUSIEURS BREVETS AMÉRICAINS, ET D'AUTRES SONT EN INSTANCE.

TABLE DES MATIÈRES

Service technique	F2
Consignes de sécurité	F3
Familiarisez-vous avec votre appareil	F6
Instructions de montage	F7
Informations sur l'huile et le carburant	F8
Instructions de démarrage et d'arrêt	F9
Mode d'emploi	F10
Entretien et réparations	F12
Nettoyage et entreposage	F16
Tableau de dépannage	F17
Caractéristiques	F18
Garantie	F20

PARE-ÉTINCELLES

REMARQUE : à l'intention des utilisateurs opérant dans les terres forestières des États-Unis et dans les états de Californie, du Maine, de l'Orégon et de Washington. Toutes les terres forestières des États-Unis et de l'état de Californie (Codes sur les ressources publiques 4442 et 4443), de l'Orégon et de Washington exigent de par la loi que certains moteurs à combustion interne utilisés dans des zones couvertes de taillis ou d'herbe soient équipés d'un pare-étincelles en parfait état de fonctionnement, ou qu'ils soient conçus, équipés et entretenus pour la prévention des incendies. Renseignez-vous auprès des autorités de votre province ou de votre municipalité concernant la réglementation en vigueur. Vous pourriez être passible d'une amende ou être tenu responsable si vous ne respectez pas cette réglementation. Cet appareil est équipé d'un pare-étincelles en usine. **Si l'écran pare-étincelles, communiquez avec le service technique.**

AVERTISSEMENT DE LA PROPOSITION 65 DE CALIFORNIE

! AVERTISSEMENT !

LES GAZ D'ÉCHAPPEMENT DU MOTEUR DE CET APPAREIL CONTIENNENT DES PRODUITS CHIMIQUES CONSIDÉRÉS PAR L'ÉTAT DE CALIFORNIE COMME POUVANT CAUSER LE CANCER, DES MALFORMATIONS CONGÉNITALES OU D'AUTRES EFFETS NOCIFS SUR L'APPAREIL DE REPRODUCTION.

CONSIGNES DE SÉCURITÉ

Les symboles de sécurité attirent votre attention sur des dangers potentiels. Ces symboles et leurs détails explicatifs méritent que vous les lisiez et compreniez bien. Les avertissements de sécurité ne peuvent éviter les dangers de par eux-mêmes. Les consignes ou mises en garde qu'ils donnent ne remplacent pas des mesures préventives appropriées contre les accidents.

SYMBOLE SIGNIFICATION



ALERTE DE SÉCURITÉ:

indique un danger, un avertissement ou une mise en garde. Soyez vigilant afin d'éviter toute blessure grave. Ce symbole peut être combiné à d'autres symboles ou pictogrammes.

REMARQUE: donne des informations ou des instructions vitales pour le fonctionnement ou l'entretien de l'équipement.

Lisez le(s) manuel(s) de l'utilisateur et suivez tous les avertissements et consignes de sécurité. Vous pourriez à défaut entraîner des blessures graves pour vous ou d'autres personnes.

SI VOUS AVEZ DES QUESTIONS, APPELEZ LE
1-877-282-8684

SYMBOLE SIGNIFICATION



DANGER: le non-respect d'un avertissement peut causer dommages matériels ou blessures graves pour tous. Respectez les consignes de sécurité afin de réduire les risques d'incendie, d'électrocution et de blessures.



AVERTISSEMENT: le non-respect d'un avertissement peut causer dommages matériels ou blessures graves pour tous. Respectez les consignes de sécurité afin de réduire les risques d'incendie, d'électrocution et de blessures.



MISE EN GARDE: le non-respect d'un avertissement peut causer dommages matériels ou blessures graves pour tous. Respectez toujours les consignes de sécurité afin de réduire les risques d'incendie, d'électrocution et de blessures.

• IMPORTANTES CONSIGNES DE SÉCURITÉ •

LIRE TOUTES LES INSTRUCTIONS

AVANT UTILISATION

- Veuillez lire les instructions avec soin. Familiarisez-vous avec les commandes et l'utilisation correcte de cet appareil.
- N'utilisez pas l'appareil si vous êtes fatigué, malade ou sous l'effet de l'alcool, de drogues ou de médicaments.
- Les enfants et adolescents de moins de 15 ans ne doivent pas utiliser l'appareil exceptés les adolescents assistés d'un adulte.
- Inspectez l'appareil avant utilisation. Remplacez les pièces endommagées. Regardez s'il y a des fuites de carburant. Assurez-vous que les fixations sont solidement en place. Remplacez les pièces de l'accessoire de coupe qui sont fendillées, ébréchées ou endommagées. Assurez-vous que l'accessoire de coupe est correctement installé et solidement fixé. Assurez-vous que le protecteur d'accessoire de coupe est correctement fixé et positionné comme recommandé. Vous risquez sinon de causer des blessures à l'opérateur et aux spectateurs, et d'endommager l'appareil.
- N'utilisez que du fil de remplacement d'origine du fabricant de 2,67 mm (0,105 po) de diamètre. N'utilisez jamais de fil ou de cordon à renfort métallique car ils peuvent se briser et se transformer en projectile dangereux.

- Soyez conscient des risques de blessure à la tête, aux mains et aux pieds.
- Dégagez la zone de coupe avant chaque usage. Enlevez tous les objets pouvant être projetés ou happés par l'accessoire de coupe : cailloux, verre brisé, clous, fil ou ficelle. Éloignez enfants, spectateurs et animaux de la zone de coupe. Tenez-les à au moins 15 m (50 pi) de là mais sachez que les spectateurs risquent quand même d'être atteints par des objets projetés. Conseillez-leur de porter des protecteurs oculaires. Arrêtez immédiatement le moteur et l'accessoire de coupe si quelqu'un s'approche de vous.
- Appuyez sur la manette des gaz et assurez-vous qu'elle revient automatiquement en position de ralenti. Procédez à tous les réglages ou réparations avant d'utiliser l'appareil.

AVERTISSEMENTS DE SÉCURITÉ CONCERNANT LES DÉSHERBEUSES À GAZ



AVERTISSEMENT: l'essence est extrêmement inflammable et ses vapeurs peuvent exploser si on y met le feu. Veuillez prendre les précautions suivantes.

- Ne stockez le carburant que dans des contenants spécialement conçus et homologués pour le stockage de ce type de matières.

CONSIGNES DE SÉCURITÉ

- Arrêtez toujours le moteur et laissez-le refroidir avant de remplir le réservoir de carburant. N'enlevez jamais le bouchon du réservoir et n'ajoutez jamais de carburant pendant que le moteur est chaud. Ne faites jamais fonctionner l'appareil sans que le bouchon de carburant soit bien mis. Desserrez lentement le bouchon afin de réduire la pression du réservoir.
- Évitez de créer une source d'allumage pour le carburant déversé. Ne démarrez pas le moteur avant que les vapeurs de carburant ne se soient dissipées.
- Mélangez et ajoutez le carburant dans un endroit bien aéré et propre en plein air à l'abri des étincelles ou des flammes. N'enlevez lentement le bouchon du réservoir d'essence qu'après avoir arrêté le moteur. Ne fumez pas pendant le remplissage ou le mélange de carburant. Essuyez immédiatement tout déversement de carburant de l'appareil.
- Éloignez l'appareil d'au moins 9.1 m (30 pi) de la source de ravitaillement en carburant avant de démarrer le moteur. Ne fumez pas et éloignez toute source d'étincelles ou de flammes vives du lieu de ravitaillement ou de fonctionnement de l'appareil.

PENDANT L'UTILISATION DE L'APPAREIL

- Évitez de démarrer ou de faire marcher l'appareil à l'intérieur d'une pièce ou d'un bâtiment fermé. La respiration de fumées d'échappement peut tuer. Ne faites fonctionner cet appareil qu'à l'extérieur dans un endroit bien aéré.
- Portez des lunettes de sécurité conformes aux normes ANSI Z87.1-1989 ainsi que des protège-oreilles durant l'utilisation de l'appareil. Portez un masque facial ou antipoussières si vous travaillez dans un lieu poussiéreux. Il est recommandé de porter des chemises à manches longues.
- Portez des pantalons épais et longs, des bottes et des gants. Ne marchez pas pieds nus et ne portez pas les articles suivants : vêtements lâches, bijoux, pantalons courts, sandales. Relevez les cheveux au-dessus du niveau des épaules.
- Le protecteur d'accessoire de coupe doit toujours être en place lors de l'utilisation de l'appareil. Ne faites pas marcher l'appareil sans que les deux fils soient bien déployés, en supposant qu'un fil approprié a été installé. Assurez-vous que le fil ne dépasse pas le protecteur de sécurité.
- Cet appareil est muni d'un embrayage. L'accessoire de coupe reste stationnaire lorsque le moteur est au ralenti. Si ce n'est pas le cas, faites régler l'appareil par un technicien agréé.
- Ajustez la poignée en D selon votre taille pour mieux l'agripper.
- N'utilisez l'appareil qu'en plein jour ou avec un bon éclairage artificiel.
- Évitez tout démarrage accidentel. Mettez-vous en position de démarrage chaque fois que vous tirez sur la corde de démarrage. L'opérateur et l'appareil doivent tous deux être en position stable à ce moment-là. Voir les *Instructions de démarrage et d'arrêt*.
- Ne vous étirez pas. Tenez-vous toujours bien sur vos pieds en position d'équilibre.
- Tenez toujours l'appareil des deux mains lorsque vous le faites marcher. Agrippez fermement les poignées avant et arrière.

- Gardez les mains, le visage et les pieds éloignés des pièces mobiles. Ne touchez pas et n'essayez pas d'arrêter l'accessoire de coupe en rotation.
- Ne touchez pas le silencieux ni le cylindre. Ces pièces deviennent très chaudes à l'utilisation. Elles restent chaudes brièvement après l'arrêt.
- Servez-vous des outils appropriés. N'utilisez cet outil que pour son usage prévu.
- Ne faites pas fonctionner le moteur à un régime plus élevé que nécessaire pour couper, tailler ou faire les bordures. Ne faites pas tourner le moteur à haut régime si vous ne vous faites pas de coupe.
- Arrêtez toujours le moteur lorsque vous suspendez la coupe ou lorsque vous vous déplacez d'un lieu de travail vers un autre.
- Si vous heurtez un corps étranger ou que celui-ci est happé, arrêtez le moteur immédiatement et vérifiez que rien n'a été endommagé. Ne faites pas fonctionner avant réparation des dommages. Ne faites pas marcher l'appareil si les pièces sont desserrées ou endommagées.
- Arrêtez et éteignez le moteur dans les cas suivants: entretien, réparation ou changement d'accessoires ou autres.
- N'utilisez que des pièces de rechange d'origine du fabricant pour l'entretien de cet appareil. Ces pièces sont disponibles auprès de votre concessionnaire agréé. N'utilisez pas de pièces ou accessoires non conçus par original pour cet appareil. Cela pourrait causer des blessures graves à l'utilisateur ou endommager l'appareil et annuler la garantie.
- Gardez l'appareil exempt d'accumulation de végétation ou autres matières. Celles-ci peuvent rester logées entre l'accessoire de coupe et le protecteur.
- Afin de diminuer les risques d'incendie, remplacez tout silencieux ou pare-étincelles défectueux et conservez le moteur et le silencieux exempts d'herbe, de feuilles et d'accumulation excessive de graisse ou de carbone.

AUTRES AVERTISSEMENTS DE SÉCURITÉ

- N'entreposez jamais l'appareil rempli de carburant dans un édifice où les vapeurs peuvent atteindre une source de flammes vives ou d'étincelles.
- Laissez le moteur se refroidir avant de l'entreposer ou de le transporter. Attachez bien l'appareil pendant le transport.
- Rangez l'appareil dans un endroit verrouillé et sec, ou élevé et sec, hors de portée des enfants, pour éviter une utilisation indésirable ou un accident.
- Ne trempez et n'arrosez jamais l'appareil avec de l'eau ou tout autre liquide. Gardez les poignées sèches, propres et exemptes de débris. Nettoyez après chaque usage. Voir les sections *Nettoyage et Entreposage*.
- Conservez ces instructions. Consultez-les souvent et servez-vous en pour instruire d'autres usagers. Si vous prêtez l'appareil à quelqu'un, prêtez-lui également ces instructions.

CONSERVER CES INSTRUCTIONS

CONSIGNES DE SÉCURITÉ

SYMBOLES DE SÉCURITÉ ET INTERNATIONAUX

Ce manuel de l'utilisateur décrit les symboles et pictogrammes de sécurité et internationaux pouvant apparaître sur ce produit. Consultez le manuel de l'utilisateur pour les informations concernant la sécurité, le montage, le fonctionnement, l'entretien et les réparations.

SYMBOLE

SIGNIFICATION



• SYMBOLE ALERTE DE SÉCURITÉ

Indique un danger, un avertissement ou une mise en garde. Ce symbole peut être combiné à d'autres symboles ou pictogrammes.



• AVERTISSEMENT - LISEZ LE MANUEL DE L'UTILISATEUR

Lisez le manuel de l'utilisateur et suivez tous les avertissements et consignes de sécurité. Vous pourriez à défaut entraîner des blessures graves pour vous ou d'autres personnes.



• PORTEZ DES PROTECTIONS (YEUX ET OREILLES)

AVERTISSEMENT:

les objets projetés et les bruits forts peuvent endommager la vue et l'ouïe. Portez une visière de norme ANSI Z87.1-1989 et des protège-oreilles pendant l'utilisation.



• ÉLOIGNEZ LES SPECTATEURS

AVERTISSEMENT:

éloignez tout spectateur, les enfants et les animaux domestiques en particulier, d'au moins 15 m (50 pi) de la zone de coupe.



• CARBURANT SANS PLOMB

Utilisez toujours du carburant sans plomb frais et propre.

SYMBOLE

SIGNIFICATION



• LES OBJETS PROJETÉS ET LA TÊTE ROTATIVE PEUVENT CAUSER DES BLESSURES GRAVES

AVERTISSEMENT:

ne faites pas fonctionner sans protecteur de sécurité en plastique. Tenez-vous à l'écart de l'accessoire de coupe rotatif.



• COMMANDE MARCHE/ARRÊT STOP

ALLUMAGE / DÉMARRAGE / MARCHÉ



• COMMANDE MARCHE/ARRÊT STOP

ARRÊT ou STOP



• AVERTISSEMENT SURFACE CHAUDE

Ne touchez pas un silencieux ou un cylindre chaud. Vous pourriez vous brûler. Ces pièces deviennent très chaudes à l'utilisation. Elles restent chaudes brièvement après l'arrêt.



• NIVEAU D'HUILE

Voir le manuel de l'utilisateur pour le type d'huile approprié.

CONSIGNES DE SÉCURITÉ

FAMILIARISEZ-VOUS AVEC VOTRE APPAREIL

APPLICATIONS

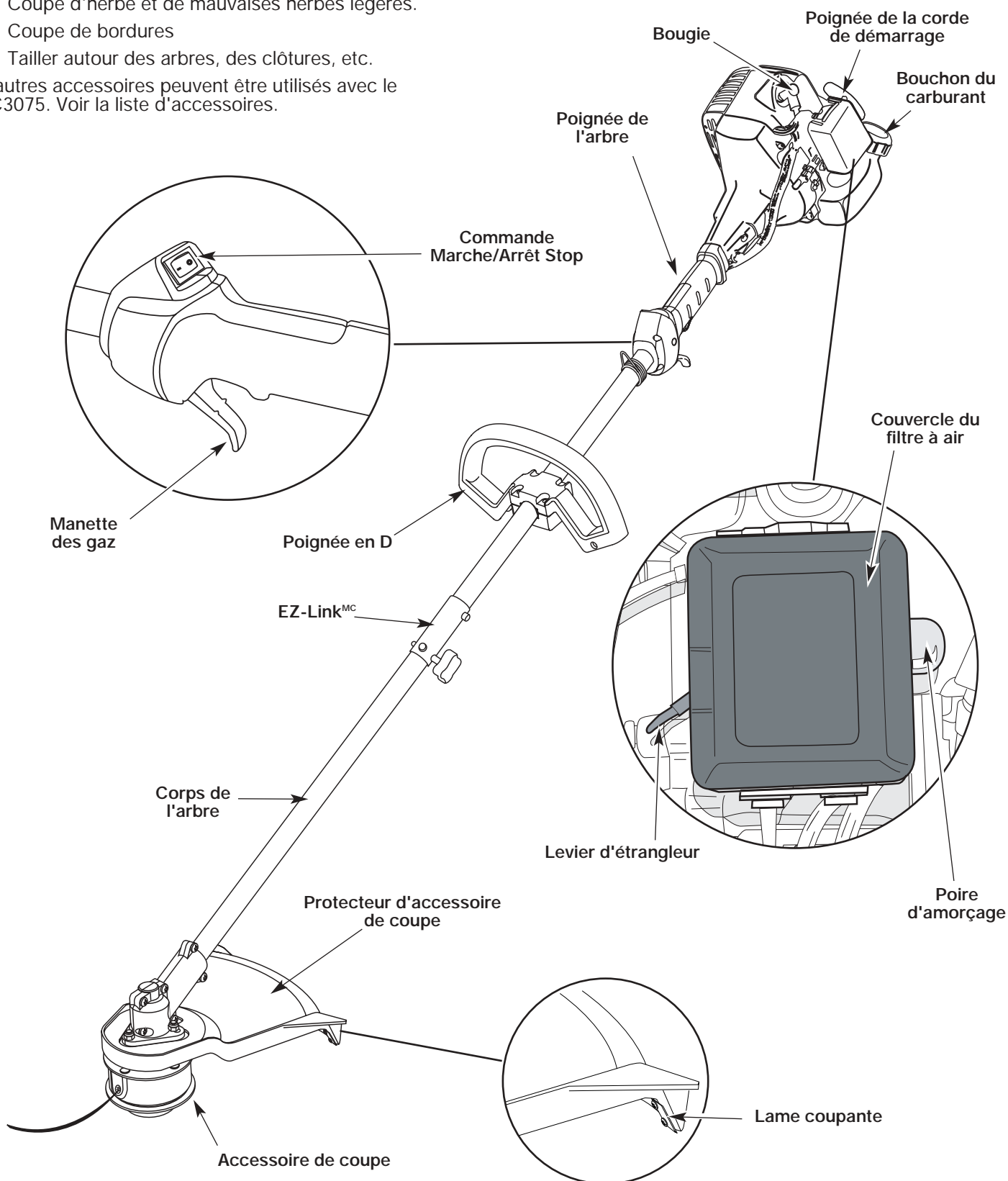
Utilisation comme désherbeuse :

- Coupe d'herbe et de mauvaises herbes légères.
- Coupe de bordures
- Tailler autour des arbres, des clôtures, etc.

D'autres accessoires peuvent être utilisés avec le CC3075. Voir la liste d'accessoires.

Avec le kit d'accessoire de débroussaillage en option:

- Coupe de mauvaises herbes et broussailles légères de 1,3 cm (1/2") de diamètre maximum



INSTRUCTIONS DE MONTAGE

INSTALLATION ET RÉGLAGE DE LA POIGNÉE EN D

1. Retirez les vis, écrous et la bride inférieure posés sur la poignée en D avant livraison.
2. Placez la poignée en D sur le corps de l'arbre et au-dessus de la bride inférieure (Fig. 1). Placez-la à au moins 15,24 cm (6 po) de l'extrémité de la prise de l'arbre.
3. Maintenez d'un doigt chaque écrou hex dans le renforcement de la bride inférieure. Commencez à visser à l'aide d'un grand tournevis. Ne serrez pas avant de régler le guidon.

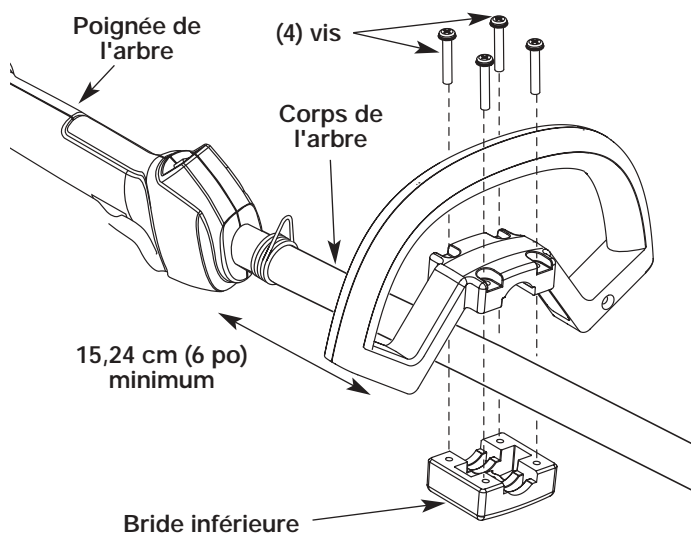


Fig. 1

4. Si elle a déjà été préinstallée, desserrez les quatre vis de fixation de la poignée en D juste assez pour pouvoir la déplacer.
5. Tenez l'appareil en position d'utilisation (Fig. 2), puis positionnez la poignée en D de manière à assurer une prise idéale.
6. Serrez les vis de bride uniformément jusqu'à bien fixer la poignée.



Fig. 2

INFORMATIONS SUR L'HUILE ET LE CARBURANT

MÉLANGE D'HUILE ET DE CARBURANT

En général, si l'appareil ne fonctionne pas correctement, c'est que le carburant est vieux ou mal mélangé. Prenez soin d'utiliser de l'essence sans plomb fraîche et propre. Suivez à la lettre les instructions de mélange de carburant et d'huile.

Définition des carburants mélangés

Les carburants d'aujourd'hui sont souvent un mélange d'essence et d'oxygénés comme l'éthanol, le méthanol ou l'éther MTBE. Un carburant mélangé à l'alcool absorbe l'eau. Il suffit de 1 % d'eau pour séparer le carburant et l'huile. Cela forme de l'acide pendant le stockage. Si vous devez utiliser ce type de carburant, servez-vous de carburant frais (moins de 60 jours).

Usage de carburants mélangés

Si vous choisissez d'utiliser ou ne pouvez éviter d'utiliser un carburant mélangé, suivez les conseils suivants :

- Utilisez toujours un mélange de carburant frais selon le manuel de l'utilisateur.
- Agitez toujours le mélange de carburant avant d'alimenter l'appareil.
- Videz le réservoir et faites marcher le moteur jusqu'à l'assécher avant d'entreposer l'appareil.

Utilisation d'additifs de carburant



La bouteille d'huile 2-temps livrée avec l'appareil contient un additif permettant d'empêcher la corrosion et de minimiser la formation de résidus de gomme. Nous vous recommandons d'utiliser ce type d'huile uniquement.

Si cela n'est pas disponible, utilisez une bonne huile 2-temps conçue pour les moteurs à 2-temps refroidis par air en y ajoutant un additif, tel que le stabilisant de gaz STA-BIL ou un produit équivalent. Ajoutez 23 ml (0,8 oz) d'additif par 4 litres (1 gallon) de carburant selon les instructions du récipient. N'ajoutez JAMAIS d'additifs directement dans le réservoir de l'appareil.

	MISE EN GARDE: Pour assurer un bon fonctionnement et une fiabilité maximale du moteur, suivez à la lettre les instructions de mélange d'huile et de carburant du récipient d'huile 2-temps. L'emploi de carburant mal mélangé peut endommager le moteur sérieusement.
---	--

Mélangez soigneusement l'huile moteur 2-temps avec de l'essence sans plomb dans un bidon séparé. Utilisez un rapport 40:1 d'essence/huile. Ne les mélangez pas directement dans le réservoir de carburant. Voir le tableau ci-dessous pour les rapports de mélange d'essence et d'huile.

REMARQUE : 3,8 litres (1 gallon) d'essence sans plomb mélangés avec une bouteille de 95 ml (3.2 oz) d'huile 2-temps donnent un rapport d'essence/huile de 40:1.

	+	
ESSENCE SANS PLOMB		HUILE 2-TEMPS
3,8 LITRES (1 GALLON US)		95 ml (3,2 OZ)
1 LITRE		25 ml

RAPPORT DE MÉLANGE O - 40:1

	AVERTISSEMENT: L'essence est extrêmement inflammable et les vapeurs qui s'en dégagent peuvent exploser si on y met le feu. Arrêtez toujours le moteur et laissez-le refroidir avant de remplir le réservoir. Ne fumez pas en remplissant le réservoir. Éloignez toute source d'étincelles ou de flammes vives de la zone.
---	--

	AVERTISSEMENT: Enlevez le bouchon du réservoir lentement pour ne pas être blessé par les jets d'essence. Ne faites pas marcher l'appareil sans que le bouchon soit bien mis.
---	---

	AVERTISSEMENT: Ajoutez du carburant dans un lieu propre et bien aéré en plein air. Essayez immédiatement tout déversement de carburant. Évitez de mettre le feu au carburant déversé. Ne démarrez pas le moteur avant dissipation des vapeurs de carburant.
---	--

REMARQUE : Éliminez le vieux mélange de carburant conformément aux règlements fédéral, provincial et municipal en vigueur.

INSTRUCTIONS DE DÉMARRAGE ET ARRÊT



AVERTISSEMENT: n'utiliser l'outil qu'à l'extérieur, dans un endroit bien aéré. Les émanations d'oxyde de carbone dans un endroit confiné peuvent être mortelles.



AVERTISSEMENT: évitez tout démarrage accidentel. Tenez-vous en position de démarrage lorsque vous tirez sur la corde de démarrage (Fig. 5). L'opérateur et l'appareil doivent tous deux être en position stable pour éviter des blessures graves.

INSTRUCTIONS DE DÉMARRAGE

1. Mélangez l'essence avec l'huile. Remplissez le réservoir avec le mélange d'essence et d'huile. Voir Instructions de mélange d'huile et de carburant.
2. Mettez la commande Marche/Arrêt Stop en position MARCHE (I) (Fig. 3).
3. Pressez et relâchez la poire d'amorçage à 10 reprises, lentement. Une certaine quantité de carburant devrait être visible dans la poire d'amorçage et les conduites de carburant dans la poire, pressez et relâchez la poire autant de fois que nécessaire jusqu'à ce que vous aperceviez du carburant dans cette dernière.
4. Mettez le levier d'étrangleur en Position 1 (Fig. 4).
5. Levez-vous en position de démarrage (Fig. 5) et appuyez sur la manette des gaz. Tirez sèchement sur le cordon de démarrage jusqu'à 4 fois.
6. Mettez le levier d'étrangleur en Position 2.
7. Tandis que vous appuyez sur la manette des gaz, tirez brusquement sur la corde de démarrage 1 à 4 fois pour démarrer le moteur.
8. Maintenez la manette des gaz enfoncée et laissez le moteur chauffer pendant 15 à 30 secondes..
9. Mettez le levier d'étrangleur en Position 3. La machine est prête à être utilisée.

REMARQUE: Mettez le levier de l'étrangleur en Position 3 pour un meilleur rendement du moteur. NE laissez PAS le levier en Position 2.

Si... Le moteur ne démarre pas, retournez à l'étape 3.

Si... Le moteur ne démarre pas après quelques tentatives, placez l'étrangleur en Position 3 et appuyez sur la manette des gaz. Tirez fermement sur le cordon de démarrage entre 3 et 8 fois. Le moteur devrait démarrer. S'il ne démarre pas, recommencez.

SI CHAUD... Le moteur est déjà chaud, assurez-vous que l'interrupteur Marche/Arrêt Stop est en position ON et démarrez la machine avec le levier d'étranglement en Position 2. Après que la machine ait démarré, mettez le levier d'étranglement en Position 3.

INSTRUCTIONS D'ARRÊT

1. Relâchez la manette des gaz. Laissez le moteur refroidir au ralenti.
2. Mettez la commande Marche/Arrêt Stop en position ARRÊT (O).

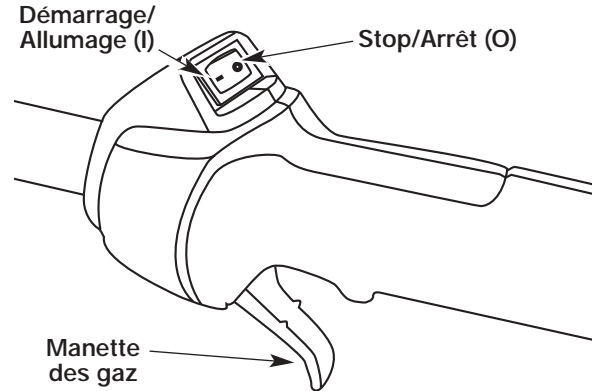


Fig. 3

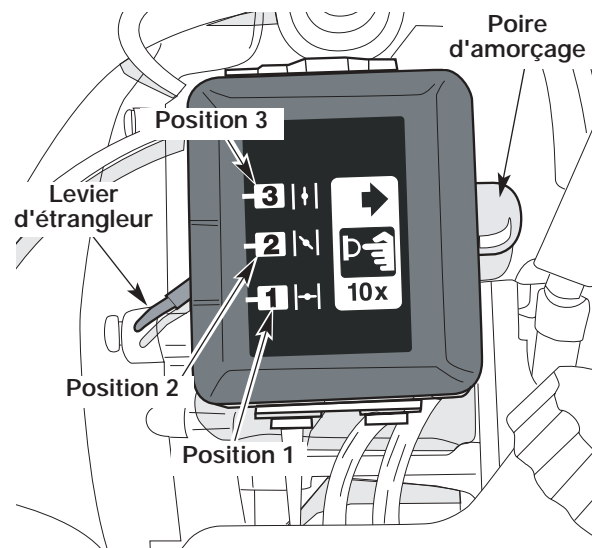


Fig. 4

Position de démarrage

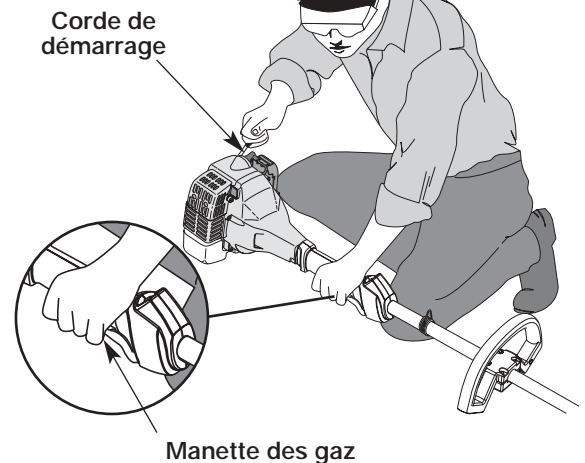


Fig. 5

MODE D'EMPLOI

FONCTIONNEMENT DU EZ-Link^{MC}

Le système EZ-Link^{MC} permet d'utiliser ces accessoires optionnels :

Cultivateur	TBGC
Edger	TBLE
Taille-haies	TBAH
Désherbeuse à arbre droit	TBSS
Turbosouffleuse	TBTB
Scie à long manche	TBPS
Débroussailluse	TBBC*

*NE PAS utiliser cet accessoire avec un produit alimenté à l'électricité.



AVERTISSEMENT: Avant d'utiliser tout accessoire, veuillez lire et comprendre le manuel accompagnant l'accessoire. Suivez toutes les informations relatives à la sécurité qui y figurent.

Retrait de l'accessoire de coupe ou autre

1. Dévissez le bouton vers la gauche (Fig. 6).
2. Appuyez sur le bouton de déclenchement et maintenez-le enfoncé (Fig. 6).
3. Tenez fermement le corps de l'arbre supérieur et retirez l'accessoire de coupe ou autre du coupleur EZ-Link^{MC}.



AVERTISSEMENT: pour éviter des blessures graves, éteignez l'appareil avant d'enlever ou d'installer des accessoires.

Installation de l'accessoire de coupe ou autre

NOTE : pour faciliter l'installation ou le retrait d'accessoires, placez l'appareil au sol ou sur un établi.

1. Dévissez le bouton vers la gauche (Fig. 6).

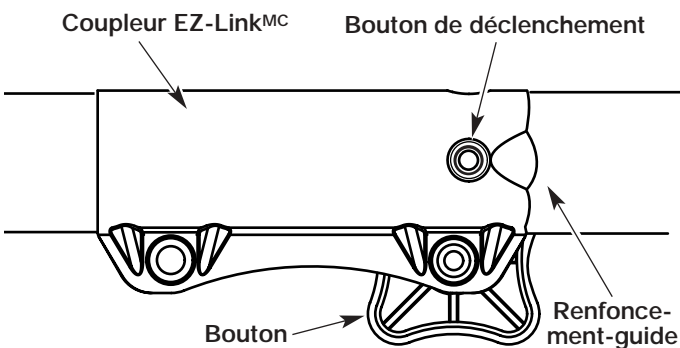


Fig. 6

2. Tenez fermement l'accessoire et enfoncez-le tout droit dans le coupleur EZ-Link^{MC} (Fig. 7).

NOTE : aligner le bouton de déclenchement avec le renforcement-guide facilitera l'installation (Fig. 6).

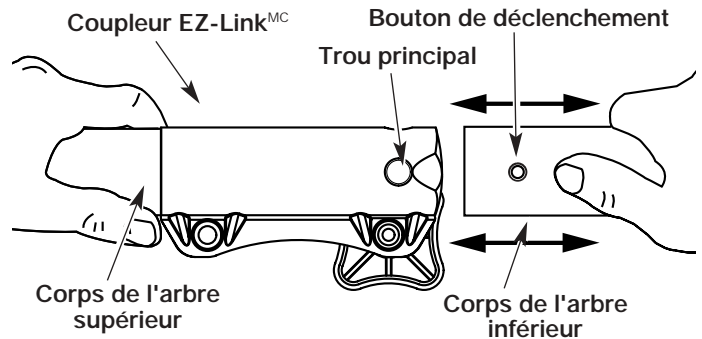


Fig. 7

3. Serrez le bouton en le tournant à droite (Fig. 8).



MISE EN GARDE: verrouillez le bouton de déclenchement dans le trou principal et vissez bien le bouton avant de faire marcher l'appareil.

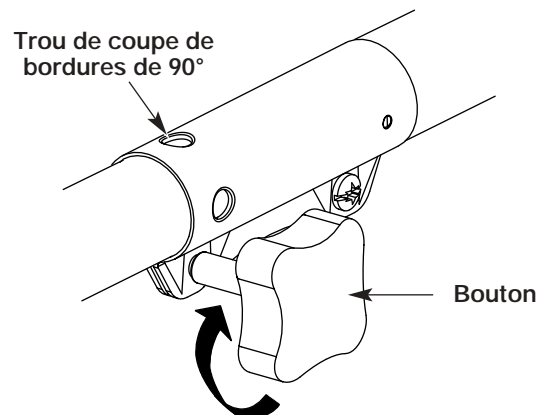


Fig. 8



MISE EN GARDE: l'accessoire de coupe et autres ajouts du système EZ-Link^{MD} doivent utiliser le trou principal sauf indication contraire de leurs manuels. L'utilisation du mauvais trou pourrait causer des blessures graves ou endommager l'appareil.

Pour couper les bordures à l'aide de la tête d'accessoire de coupe sur les modèle EZ-Link^{MC}, verrouillez le bouton de déclenchement de l'accessoire de coupe dans le trou de 90° (Fig. 8).

MODE D'EMPLOI

TENUE DE LA DÉSHERBEUSE



AVERTISSEMENT: portez toujours des protections (yeux, oreilles, pieds et corps) pour diminuer les risques de blessures durant l'utilisation de l'appareil.

Avant de faire marcher l'appareil, tenez-vous en position de fonctionnement (Fig. 9). Vérifiez les points suivants:

- L'opérateur porte une visière et des vêtements appropriés.
- Le bras droit est légèrement plié et la main tient l'arbre par sa prise.
- Le bras gauche est droit et la main tient la poignée en D.
- L'appareil est au-dessous de la ceinture.
- L'accessoire de coupe est parallèle au sol et touche facilement la végétation sans que l'opérateur ne doive se pencher.



Fig. 9

RÉGLAGE DE LA LONGUEUR DU FIL

L'accessoire de coupe Bump Head^{MC} vous permet de donner du fil sans arrêter le moteur. Pour avoir plus de fil, tapez doucement l'accessoire de coupe sur le sol (Fig. 10) tout en faisant marcher la désherbeuse à haut régime.

REMARQUE : gardez toujours le fil bien déroulé. Il devient plus difficile de donner du fil à mesure que le fil de coupe devient plus court.

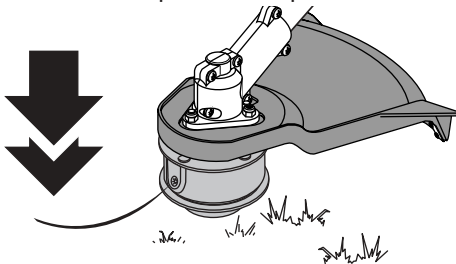


Fig. 10

Chaque fois que vous donnez un coup sur la tête, vous déroulez environ 25,4 mm (1 po) de fil. La lame du protecteur d'accessoire de coupe est conçue pour couper le fil à la bonne longueur si vous déroulez trop de fil.

Pour de meilleurs résultats, tapez la tête de butée sur un sol dégagé ou dur. Si vous donnez du fil dans un lieu d'herbe haute, vous risquez de caler le moteur. Gardez toujours le fil bien déroulé. Il devient plus difficile de donner du fil à mesure que le fil de coupe se raccourci.

REMARQUE : Ne posez pas la tête de butée sur le sol lorsque l'appareil est en marche.

Le fil peut se briser dans les cas suivants :

- Happement de corps étrangers
- Usure normale du fil
- Coupe de mauvaises herbes épaisses à longues tiges
- Forcer le fil dans des objets comme des murs ou des poteaux de clôture



MISE EN GARDE: n'enlevez pas ni n'altérez l'ensemble de la lame coupante. Un excès de fil surchauffera l'embrayage. Ceci pourrait causer des blessures graves ou endommager l'appareil.

CONSEILS POUR BIEN DÉSHERBER

- Le bon angle pour l'accessoire de coupe est parallèle au sol.
- Ne forcez pas l'accessoire. Coupez avec la pointe du fil (surtout le long des murs). Utiliser plus que la pointe diminue l'efficacité de la coupe et peut surcharger le moteur.
- Coupez l'herbe de plus de 200 mm (8 po) en procédant de haut en bas par petits incréments pour éviter d'user le fil prématurément ou de freiner le moteur.
- Coupez de droite à gauche chaque fois que possible. Cela améliore l'efficacité de coupe de l'appareil et les résidus de coupe sont projetés loin de l'opérateur.
- Déplacez lentement la désherbeuse dans et hors de la zone de coupe à la hauteur voulue. Procédez d'avant en arrière ou d'un côté à l'autre. Les coupes de longueur plus courte donnent les meilleurs résultats.
- Ne désherbez que lorsque l'herbe et les mauvaises herbes sont sèches.
- La durée de vie de votre fil de coupe dépend
 - de l'application des techniques de coupe précédentes
 - du type de végétation à couper
 - du lieu de coupe

Par exemple, le fil s'use plus vite si vous coupez le long d'un mur de fondation que si vous coupez autour d'un arbre.

COUPE DÉCORATIVE

La coupe décorative consiste à débarrasser la végétation autour des arbres, des bornes, des clôtures, etc.

Tournez entièrement l'appareil de manière à ce que l'accessoire de coupe soit à un angle de 30° par rapport au sol (Fig. 11).

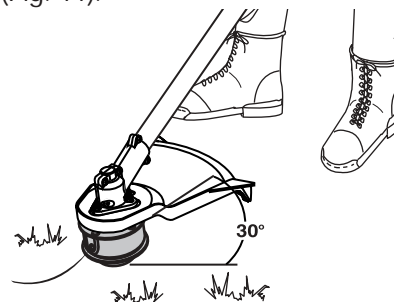


Fig. 11

ENTRETIEN ET RÉPARATIONS

REMARQUE : certaines procédures d'entretien nécessitent des compétences ou des outils particuliers. Si vous n'êtes pas sûr de pouvoir les entreprendre, emmenez votre appareil dans un atelier, chez un technicien ou un concessionnaire agréé spécialisé dans les réparations de moteurs d'outils mécaniques de plein air.

REMARQUE: l'entretien, le remplacement ou la réparation des dispositifs et systèmes antipollution peuvent être effectués par tout atelier, technicien ou concessionnaire agréé spécialisé dans les réparations de moteurs d'outils mécaniques de plein air.

PROGRAMME D'ENTRETIEN

L'entretien doit respecter la fréquence indiquée dans le tableau ci-dessous. Il doit également faire partie de toute mise au point saisonnière.



AVERTISSEMENT: pour éviter tout accident, n'effectuez jamais l'entretien ou des réparations quand l'appareil fonctionne. Effectuez-les toujours lorsqu'il est froid. Débranchez le câble de la bougie pour prévenir la mise en route.

Afin d'assurer une performance optimale du moteur, il est conseillé d'examiner l'orifice d'échappement du moteur après 50 heures de fonctionnement. Si vous remarquez une perte de tours par minute, une pauvre performance ou un manque général d'accélération, cet entretien peut s'avérer nécessaire. Si vous pensez que le moteur a besoin de ce type d'inspection, apportez-le pour réparation auprès d'un atelier, technicien ou concessionnaire agréé spécialisé dans les réparations de moteurs d'outils mécaniques de plein air. N'essayez PAS de le faire vous-même car un endommagement du moteur pourrait résulter de la présence d'impuretés provenant du nettoyage de l'orifice.

FRÉQUENCE	ENTRETIEN REQUIS	RÉFÉRENCE
Avant démarrage	Remplissez le réservoir du mélange d'essence/huile approprié	Page F8
Toutes les 10 heures	Nettoyez le filtre à air et lubrifiez-le de nouveau	Page F14
Toutes les 25 heures	Vérifiez l'état de la bougie et l'écartement des électrodes	Page F16
Toutes les 50 heures	Examinez l'orifice d'échappement pour détecter tout bouchage ou obstruction, afin d'assurer des niveaux de performance maximum	

INSTALLATION DU FIL

Cette section couvre l'installation de fil SplitLine^{MC} et l'installation de fil simple standard.

Utilisez toujours un fil de remplacement d'origine du fabricant de 2,67mm (0,105 po). Un autre fil pourrait surchauffer ou endommager le moteur.



AVERTISSEMENT: n'utilisez jamais de fil, de chaîne ou de cordon à renfort métallique car ils peuvent se briser et se transformer en projectile dangereux.

Vous pouvez remplacer le fil de deux façons:

- Rembobinez du fil neuf dans le moulinet intérieur
- Installer un moulinet intérieur prérembobiné

Rembobiner le moulinet intérieur existant

1. Tenez la bobine extérieure d'une main et dévissez le bouton de butée vers à droite (Fig. 12). Inspectez le bouton à l'intérieur du bouton de butée pour vous assurer qu'il se déplace librement. Remplacez le bouton de butée s'il est endommagé.
2. Retirez le moulinet intérieur de la bobine extérieure (Fig. 12).
3. Retirez le ressort du moulinet (Fig. 12).
4. Nettoyez le moulinet intérieur, le ressort, et l'arbre et la surface interne de la bobine extérieure à l'aide d'un tissu propre.
5. Vérifiez l'état d'usure des dents de positionnement sur le moulinet intérieur et la bobine extérieure (Fig. 13). Enlevez les ébarbures ou remplacez le moulinet et la bobine au besoin.

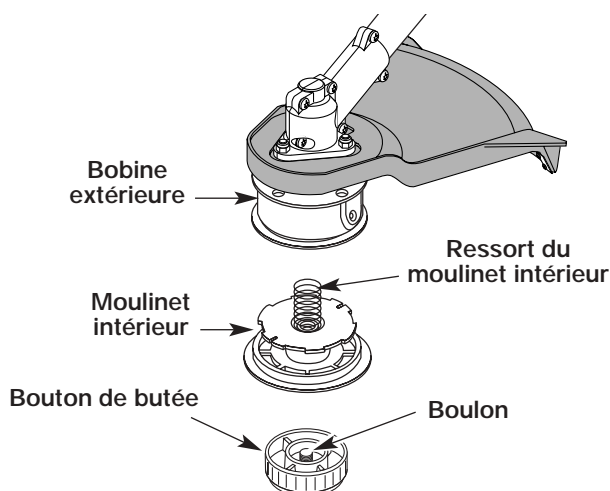


Fig. 12

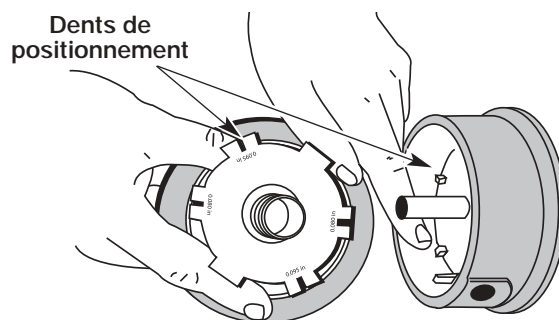


Fig. 13

ENTRETIEN ET RÉPARATIONS

Utiliser avec le fil simple
UNIQUEMENT

Utiliser avec le SplitLine^{MC}
ou le fil simple

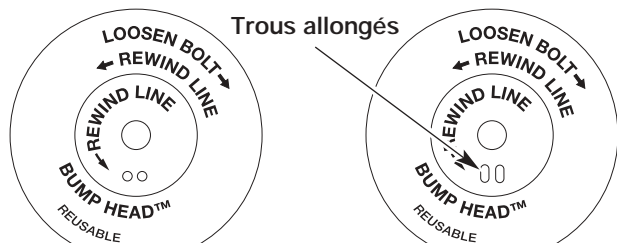


Fig. 14

REMARQUE : le SplitLine^{MC} peut être utilisé seulement avec le moulinet intérieur à trous allongés. Le fil simple peut être utilisé avec les deux sortes de moulinet intérieur. Identifiez votre type de moulinet en vous référant à la Figure 14.

REMARQUE : utilisez toujours la bonne longueur de fil lorsque vous posez le fil sur l'appareil. Le fil risque de ne pas se dérouler correctement s'il est trop long.

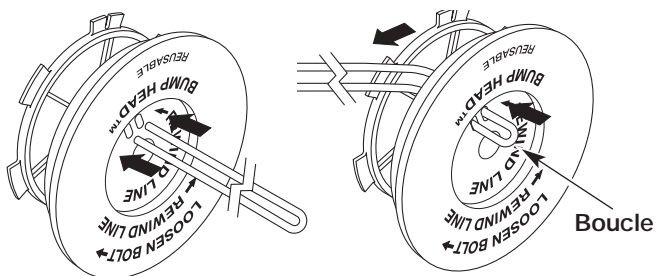


Fig. 15

Installation du fil simple

Pour l'installation du SplitLine^{MC}, passez à l'étape 8.

- Découpez environ 6 m (20 pi) de fil neuf et faites-en deux boucles de longueurs égales. Insérez chaque extrémité de fil dans l'un des deux trous du moulinet (Fig. 15). Tirez le fil à travers le moulinet pour que la boucle soit le plus petit possible.
- Enroulez les fils en couches uniformes serrées sur le moulinet (Fig. 16). Enroulez le fil dans le sens indiqué sur le moulinet intérieur. Placez votre index entre les deux fils pour les empêcher de se superposer. Ne superposez pas les extrémités du fil. Passez à l'étape 11.

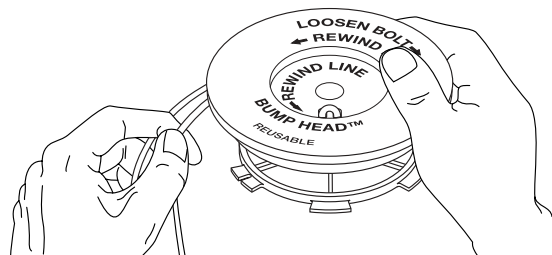


Fig. 16

Installation du SplitLine^{MC}

- Découpez environ 3 m (10 pi) de fil neuf. Insérez une extrémité de fil dans l'un des deux trous du moulinet intérieur (Fig. 17). Tirez le fil jusqu'à ne laisser que 10 cm (4 po) environ.

- Insérez l'extrémité du fil dans le trou ouvert du moulinet et tirez sur le fil pour que la boucle soit le plus petit possible (Fig. 17).
- Avant de rembobiner le fil, séparez-le en deux sur une longueur d'environ 15 cm (6 po).
- Enroulez le fil en couches uniformes serrées dans le sens indiqué sur le moulinet intérieur.

REMARQUE : ne pas enrouler le fil dans le sens indiqué entraînera un mauvais fonctionnement de l'accessoire de coupe.

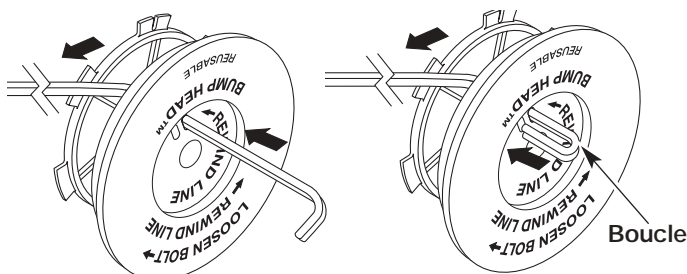


Fig. 17

- Insérez les extrémités du fil dans les deux fentes de retenue (Fig. 18).
- Insérez les extrémités du fil dans les œillets de la bobine extérieure et placez le moulinet et le ressort dans la bobine (Fig. 19). Enfoncez le moulinet et la bobine ensemble. Tout en tenant le moulinet et la bobine, saisissez les extrémités et tirez fermement pour dégager le fil des fentes de retenue de la bobine.

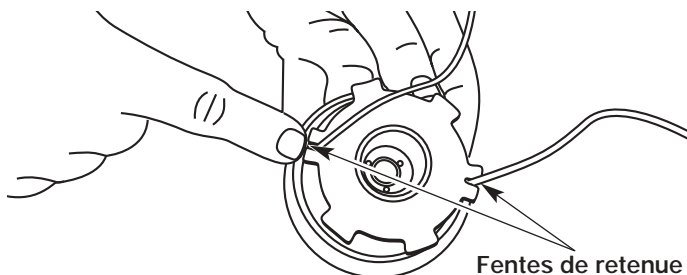


Fig. 18

REMARQUE : le ressort doit être installé dans le moulinet intérieur avant de remonter l'accessoire de coupe.

- Maintenez le moulinet intérieur en place et installez le bouton de butée en le tournant à gauche. Vissez bien.

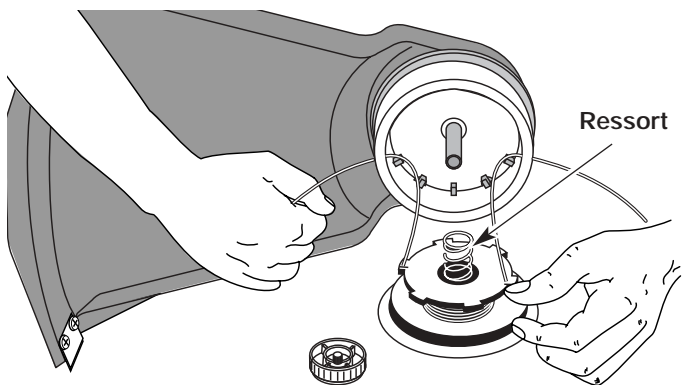


Fig. 19

ENTRETIEN ET RÉPARATIONS

Installation d'un moulinet prérembobiné

1. Tenez la bobine extérieure d'une main et dévissez le bouton de butée vers à droite (Fig. 12). Inspectez le boulon à l'intérieur du bouton de butée pour vous assurer qu'il se déplace librement. Remplacez le bouton de butée s'il est endommagé.
2. Retirez l'ancien moulinet intérieur de la bobine extérieure (Fig. 12).
3. Retirez le ressort de l'ancien moulinet intérieur (Fig. 12).
4. Placez le ressort dans le moulinet intérieur neuf.

REMARQUE : le ressort doit être installé dans le moulinet intérieur avant de remonter l'accessoire de coupe.

5. Insérez les extrémités du fil dans les œillets de la bobine extérieure (Fig. 19).
6. Placez le moulinet intérieur neuf dans la bobine. Poussez le moulinet et la bobine ensemble. Tout en tenant le moulinet et la bobine, saisissez les extrémités et tirez fermement pour dégager le fil des fentes de retenue de la bobine.
7. Maintenez le moulinet intérieur en place et installez le bouton de butée en le tournant à gauche. Vissez bien.

ENTRETIEN DU FILTRE À AIR

Nettoyage du Filtre À Aire



AVERTISSEMENT: pour éviter des blessures graves, éteignez toujours l'appareil et laissez-le refroidir avant tout nettoyage ou entretien.

Nettoyez et relubrifiez le filtre à air à toutes les 10 heures de fonctionnement. C'est l'un des éléments les plus importants pour l'entretien. Tout manquement à l'entretien du filtre à air peut entraîner une baisse de performances ou causer des dégâts permanents à votre moteur.

1. Retirez le couvercle du carburateur/filtre à air en appuyant sur la languette sur le haut du couvercle (Fig. 20).
2. Retirez le filtre à air (Fig. 21).
3. Lavez le filtre dans un mélange d'eau et de détergent. Rincez-le abondamment et laissez sécher.
4. Appliquez une quantité suffisante d'huile moteur propre SAE 30 pour enduire légèrement le filtre (Fig. 22).
5. Pressez le filtre pour répandre et drainer l'excédent d'huile (Fig. 22).
6. Réinstallez le filtre et le couvercle du filtre à air (Fig. 20).

REMARQUE : l'utilisation de l'appareil sans filtre à air et sans ensemble filtre à air/couvercle du silencieux ANNULERA la garantie.

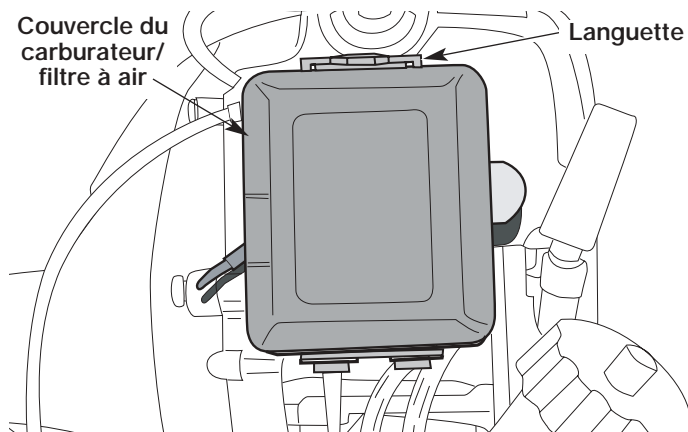


Fig. 20

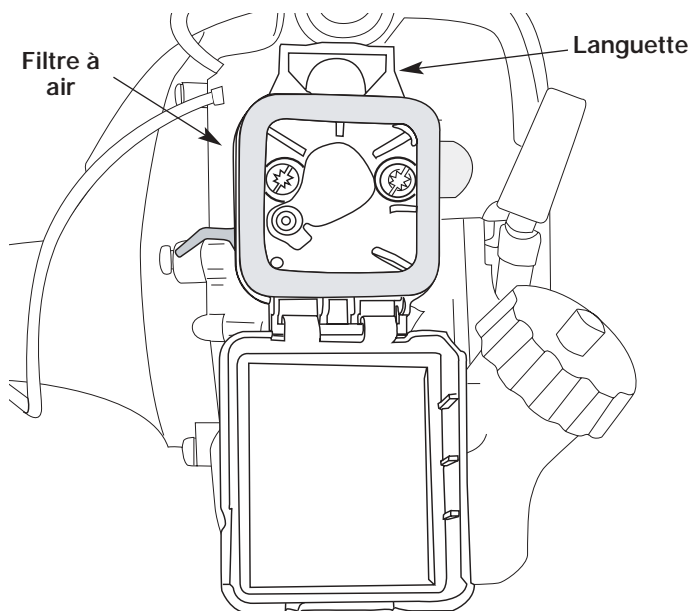


Fig. 21

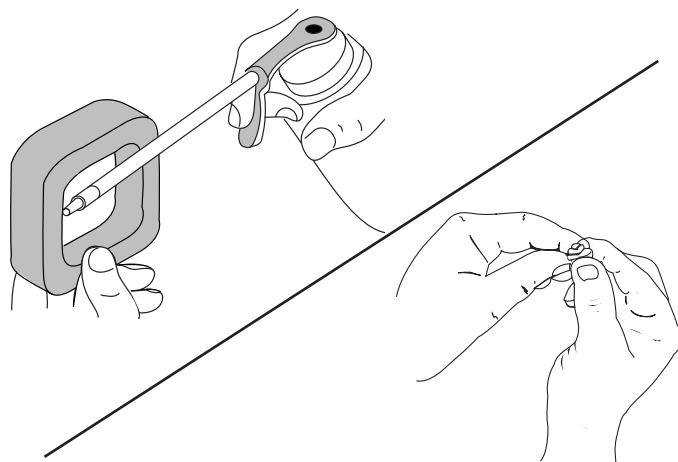


Fig. 22

RÉGLAGE DU CARBURATEUR

Le régime ralenti du moteur est réglable par le couvercle du filtre à air/silencieux (Fig. 23).

REMARQUE : des réglages non soigneux peuvent endommager sérieusement l'appareil. Les réglages de carburateur doivent être faits par un concessionnaire agréé.

Vérification du mélange de carburant

En général, si l'appareil ne fonctionne pas correctement, c'est que le carburant est vieux ou mal mélangé. Videz puis remplissez le réservoir de carburant frais et bien mélangé avant d'effectuer des réglages. Voir la section *Informations sur l'huile et le carburant*.

Nettoyage du filtre à air

L'état du filtre à air est très important pour le fonctionnement de l'appareil. Un filtre à air sale restreint le débit d'air et affecte le mélange de carburant/air. On confond cela souvent avec un mauvais réglage du carburateur. Vérifiez l'état du filtre à air avant de régler la vis de réglage de ralenti. Voir *Entretien du filtre à air*.

Réglage de la vis de réglage de ralenti

Si le moteur ne se met toujours pas au ralenti après vérification du mélange de carburant et du nettoyage du filtre à air, réglez la vis de ralenti comme suit:

1. Démarrez le moteur et laissez-le tourner à haut régime pendant une minute pour se réchauffer. Voir les *Instructions de démarrage et d'arrêt*.

	AVERTISSEMENT: il se peut que l'accessoire de coupe tourne pendant le réglage de la vitesse de ralenti. Portez des vêtements protecteurs et respectez toutes les consignes de sécurité pour éviter des blessures graves.
---	---

2. Relâchez le levier d'accélérateur et laissez le moteur au ralenti. Si le moteur s'arrête, insérez un petit tournevis à embout cruciforme ou à tête plate dans le trou du filtre à air/couvercle du silencieux (Fig. 23). **Vissez** la vis de ralenti de 1/8 de tour à la fois (selon le besoin) jusqu'à ce que le moteur se mette bien au ralenti.

REMARQUE : l'accessoire de coupe ne devrait pas tourner lorsque le moteur est au ralenti.

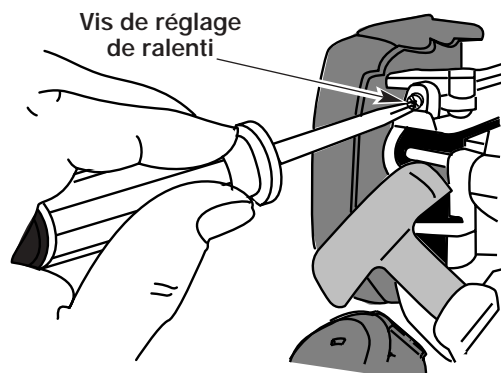


Fig. 23

3. S'il tourne, **dévissez** la vis de ralenti de 1/8 de tour à la fois (selon le besoin) pour réduire la vitesse de ralenti.

La vérification du mélange de carburant, le nettoyage du filtre à air et le réglage de la vis de ralenti devraient résoudre la plupart des problèmes de moteur. Dans le cas contraire et si :

- Le moteur ne se met pas au ralenti,
 - Le moteur hésite ou se cale lors d'une accélération,
 - Le moteur perd de la puissance,
- faites régler le carburateur par un concessionnaire agréé.

	AVERTISSEMENT: une fois l'appareil éteint, pour éviter des blessures graves assurez-vous que l'accessoire de coupe est arrêté avant de poser l'appareil.
---	---

ENTRETIEN ET RÉPARATIONS

REPLACEMENT DE LA BOUGIE

Utilisez une bougie (ou un Champion RDJ7Y). L'écartement correct est de **0,655 mm (0,025 po)**. Retirez la bougie après **25 heures** de fonctionnement et vérifiez son état.

1. Arrêtez le moteur et laissez-le refroidir. Saisissez fermement le câble de la bougie et retirez le capuchon de celle-ci.
2. Nettoyez toute saleté de la bougie. Retirez la bougie de la culasse en tournant la douille de 5/8 po à gauche.
3. Remplacez toute bougie fendillée, encrassée ou sale. Réglez l'écartement à **0,655 mm (0,025 po)** à l'aide d'une jauge d'épaisseur (Fig. 24).



MISE EN GARDE: évitez de sabler, gratter ou nettoyer les électrodes car de la saleté dans le moteur pourrait endommager le cylindre.

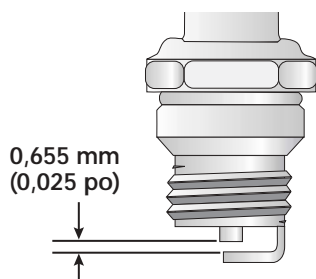


Fig. 24

4. Installez la bougie avec un écartement correct dans la culasse en tournant la douille de 5/8 po à droite jusqu'à la bien visser.

Si vous utilisez une clé dynamométrique vissez avec les valeurs de couple suivantes **110-120 po•lb (12,3-13,5 N•m)**. Évitez de trop serrer.

TRANSPORT

- Laissez le moteur refroidir avant le transport.
- Attachez bien l'appareil lors du transport.
- Videz tout le carburant de l'appareil.
- Serrez le bouchon du réservoir avant le transport.

NETTOYAGE



AVERTISSEMENT: pour éviter des blessures graves, éteignez toujours la désherbeuse et laissez-la refroidir avant tout nettoyage ou entretien.

Nettoyez l'extérieur de l'appareil à l'aide d'une petite brosse. N'utilisez pas de détergents concentrés. Les nettoyants ménagers contenant des huiles aromatiques tel que le pin et le citron, et les solvants tel que le kérosène peuvent endommager le boîtier ou la poignée en plastique. Essuyez toute trace d'humidité à l'aide d'un tissu doux.

ENTREPOSAGE

- Ne rangez jamais l'appareil plein de carburant dans un lieu où les vapeurs peuvent atteindre une flamme vive ou des étincelles.
- Laissez le moteur se refroidir avant de l'entreposer.
- Rangez l'appareil dans un lieu verrouillé pour éviter toute utilisation ou accident indésirable.
- Rangez l'appareil dans un lieu sec et bien aéré.
- Rangez l'appareil hors de la portée des enfants.

ENTREPOSAGE DE LONGUE DURÉE

Si vous comptez entreposer l'appareil pendant une longue période, appliquez la procédure suivante:

1. Videz tout le carburant du réservoir dans un récipient contenant le même mélange 2-temps. N'utilisez pas de carburant stocké pendant plus de 60 jours. Éliminez le vieux mélange de carburant conformément aux règlements fédéral, provincial et municipal en vigueur.
2. Démarrez le moteur, puis laissez-le tourner jusqu'à ce qu'il cale. Cela permet de s'assurer que le carburateur s'est vidé de son carburant.
3. Laissez le moteur refroidir. Retirez la bougie et versez environ 30 ml (1 oz) d'huile moteur ou d'huile moteur 4-temps de qualité dans le cylindre. Tirez lentement sur la corde de démarrage pour bien distribuer l'huile. Remplacez la bougie.

REMARQUE : retirez la bougie et videz toute l'huile du cylindre avant de mettre en marche la désherbeuse après une période d'entreposage.

4. Nettoyez soigneusement l'appareil et vérifiez qu'il ne comporte pas de pièces desserrées ou endommagées. Réparez ou remplacez les pièces endommagées, puis serrez les vis, écrous et boulons desserrés. L'appareil est alors prêt pour l'entreposage.

DÉPANNAGE

LE MOTEUR REFUSE DE DÉMARRER

CAUSE

Réservoir de carburant vide
La poire d'amorçage n'a pas été pressée assez fort
Moteur noyé
Carburant vieux ou mal mélangé
Bougie encrassée
La température extérieure est inférieure à 40°F
La température extérieure est supérieure à 90°F

SOLUTION

Remplissez-le de carburant bien mélangé.
Pressez-la complètement et lentement de 10 fois
Utilisez la procédure de démarrage
Drainez le réservoir/ajoutez du carburant frais
Remplacez ou nettoyez-la
Tirez sur le cordon de démarrage entre 10 et 15 fois
Appuyez sur la manette des gaz et tirez sur le cordon de démarrage

LE MOTEUR REFUSE DE SE METTRE AU RALENTI

CAUSE

Filtre à air bouché
Carburant vieux ou mal mélangé
Mauvais réglage du carburateur

SOLUTION

Remplacez ou nettoyez-le
Drainez le réservoir/ajoutez du carburant frais
Ajustez selon l'instruction

LE MOTEUR REFUSE D'ACCÉLÉRER

CAUSE

Carburant vieux ou mal mélangé
Mauvais réglage du carburateur
Accessoire de coupe engorgé d'herbes
Filtre à air sale

SOLUTION

Drainez le réservoir/ajoutez du carburant frais
Faites-le régler par un concessionnaire agréé
Arrêtez le moteur et nettoyez l'accessoire
Remplacez ou nettoyez-le

LE MOTEUR MANQUE DE PUISSANCE OU SE CALE DURANT LA COUPE

CAUSE

Carburant vieux ou mal mélangé
Mauvais réglage du carburateur
Bougie encrassée

SOLUTION

Drainez le réservoir/ajoutez du carburant frais
Faites-le régler par un concessionnaire agréé
Remplacez ou nettoyez-la

LA TÊTE DE COUPE NE FAIT PAS AVANCER LE FIL

CAUSE

Accessoire de coupe engorgé d'herbes
Accessoire de coupe mal aligné
Moulinet intérieur bloqué
Tête de coupe sale
Fil soudé
Fil tordu durant la recharge
Quantité insuffisante de fil exposée

SOLUTION

Arrêtez le moteur et nettoyez l'accessoire
Chargez du fil neuf
Remplacez le moulinet
Nettoyez le moulinet intérieur et la bobine extérieure
Démontez et déposez la partie soudée, et rembobinez le fil
Démontez puis rembobinez le fil
Enfoncez le bouton de butée et tirez le fil jusqu'à en extraire 102 mm (4 po) à l'extérieur de l'accessoire de coupe

LE FIL DE COUPE AVANCE DE MANIÈRE INCONTRÔLÉE

CAUSE

Présence d'huile dans la tête de coupe

SOLUTION

Nettoyez l'accessoire de coupe

Si vous avez besoin d'aide, contactez votre concessionnaire agréé.

CARACTÉRISTIQUES

MOTEUR*

Type de moteur.....	Refroidi par air, 2-temps
Course.....	31,75 mm (1,25 po)
Cylindrée.....	25 cc (1,4 po ³)
Type d'embrayage.....	Centrifuge
Régime ralenti.....	2.400 - 3.600 tr/min
Régime de fonctionnement (désherbeuse).....	6.500+ tr/min
Type d'allumage.....	Électronique
Contact d'allumage.....	Interrupteur à bascule
Écartement de la bougie.....	0,655 mm (0,025 po)
Lubrification.....	Mélange carburant/huile
Rapport carburant/huile.....	40/1
Carburateur.....	Membrane, toutes positions
Démarrateur.....	Rembobinage automatique
Silencieux.....	Chicane avec protection
Accélérateur.....	Rappel manuel
Capacité du réservoir de carburant.....	591 ml (20 oz)

ARBRE D'ENTRAÎNEMENT ET ACCESSOIRE DE COUPE*

Logement de l'arbre d'entraînement.....	(EZ-Link) Tube d'aluminium
Manette des gaz.....	Détente à portée du doigt
Poids de l'appareil (sans carburant, avec poignée en D, protecteur d'accessoire de coupe et accessoire de coupe).....	4.25 kg (9.5 lb)
Mécanisme de coupe.....	Tête de coupe à deux fils
Diamètre de la bobine de fil.....	10,16 cm (4 po)
Diamètre du fil.....	2,67 mm (0,105 po)
Diamètre du chemin de coupe.....	43,18 cm (17 po)

*Toutes les spécifications contenues dans ce manuel tiennent compte des dernières informations techniques disponibles au moment de mettre sous presse. Nous nous réservons le droit d'y apporter des modifications à tout moment, sans préavis.

Garantie portant sur les normes antipollution de l'EPA et la California

Vos droits et obligations en vertu de cette garantie

Le California Air Resource Board, la Environmental Protection Agency et Cub Cadet LLC (Cub Cadet) ont le plaisir de présenter la garantie du dispositif antipollution des petits moteurs à usage tout-terrain datant de 2005 et au-delà. Les nouveaux petits moteurs à usage tout-terrain doivent être conçus, construits et équipés pour être conformes aux strictes normes anti-smog. Cub Cadet doit garantir le système de contrôle des émissions de votre petit moteur à usage tout-terrain pendant les périodes de temps indiquées ci-dessous à condition que le moteur n'ait pas souffert d'abus, de négligence ou fait l'objet d'un mauvais entretien.

Votre dispositif antipollution peut inclure des pièces diverses tel que le carburateur ou un système d'injection, le dispositif d'allumage et un convertisseur catalytique. Il pourrait aussi inclure des tuyaux, courroies, connecteurs et autres ensembles de pièces relatives aux émissions.

Advenant une situation couverte par la garantie, Cub Cadet réparera votre petit moteur à usage tout-terrain sans frais aucun y compris le diagnostic, les pièces et la main d'œuvre.

Les moteurs à usage tout-terrain datant de 2005 et plus sont garantis pendant deux ans. Si une pièce de votre moteur relative aux émissions devenait défectueuse, Cub Cadet la réparera ou la remplacera.

Responsabilités du propriétaire en vertu de cette garantie

- En tant que propriétaire d'un petit moteur à usage tout-terrain, vous êtes responsable des entretiens requis indiqués dans votre manuel de l'utilisateur. Cub Cadet recommande que vous conserviez tous les reçus d'entretien de votre petit moteur à usage tout-terrain. Cub Cadet ne peut toutefois réfuter votre garantie juste parce que vous n'avez pas les reçus ou si vous ne veillez pas à ce que les travaux d'entretien prévus soient effectués.
- En tant que propriétaire d'un petit moteur à usage tout-terrain, sachez que Cub Cadet peut refuser de vous couvrir sous garantie si votre moteur ou si une pièce sont défectueux pour cause d'abus, de négligence, d'entretien incorrect ou de modifications non autorisées.
- Il vous incombe de présenter votre petit moteur à usage tout-terrain à un centre de service agréé Cub Cadet dès que le problème fait son apparition. Les réparations sous garantie doivent être achevées dans une durée de temps raisonnable ne dépassant en aucun cas 30 jours.

Si vous avez des questions au sujet de vos droits et responsabilités en vertu de cette garantie, appelez le 1-877-282-8684.

Garantie du fabricant

- La période de garantie commence à la date où le moteur ou l'équipement est livré à l'acheteur au détail.
- Le fabricant garantit au propriétaire initial et à chaque acheteur subséquent que le moteur est libre de défauts de matériaux et de vices de fabrication pouvant provoquer la défaillance d'une pièce garantie pendant une période de deux ans.
- Toute réparation ou remplacement d'une pièce garantie devra être effectué sans aucun frais au compte du propriétaire par un centre de service Cub Cadet agréé. Pour connaître le centre le plus proche de vous, veuillez contact Cub Cadet à : 1-877-282-8684.
- Toute pièce garantie dont le remplacement n'est pas prévu dans le cadre des entretiens requis, ou dont uniquement une inspection normale est prévue selon le principe de "réparation ou remplacement au besoin", est garantie pendant la période de garantie. Toute pièce garantie dont le remplacement est prévu dans le cadre des entretiens requis sera garantie pendant la période de temps allant jusqu'à la date du premier remplacement prévu pour cette pièce.
- Le propriétaire ne subira pas de frais relatifs à un travail de diagnostic qui conclut que la pièce garantie est défectueuse si le travail de diagnostic a été effectué chez un centre de service Cub Cadet agréé.
- Le fabricant est responsable de tous les dommages occasionnés aux autres composants du moteur par la défaillance d'une pièce encore sous garantie.
- Les défaillances causées par l'abus, la négligence ou un mauvais entretien ne sont pas couvertes par cette garantie.
- L'utilisation d'un ajout ou de pièces modifiées peut justifier le refus d'une réclamation au titre de la garantie. Le fabricant n'est pas responsable des défaillances des pièces garanties découlant de l'utilisation d'ajouts ou de pièces modifiées.
- Pour déposer une réclamation, adressez-vous au centre de service Cub Cadet agréé le plus proche. Les services ou réparations sous garantie sont offerts par tous les centres de service Cub Cadet agréés.
- Toutes les pièces de rechange approuvées par le fabricant peuvent être utilisées dans le cadre d'un entretien ou d'une réparation sous garantie de pièces relatives au dispositif antipollution et sont fournies sans frais. Toute pièce de rechange équivalente en termes de performances ou de durabilité peut être utilisée lors d'un entretien ou d'une réparation hors garantie et ne diminue pas les obligations qui incombent au fabricant en vertu de la garantie.
- Les composants suivants sont inclus dans la garantie relative au système antipollution du moteur : filtre à air, carburateur, poire d'amorçage, conduites de carburant, alimentation d'arrivée, filtre à carburant, module d'allumage, bougie et silencieux.

GARANTIE LIMITÉE DU FABRICANT POUR:

Cub Cadet

La garantie limitée énoncée ci-après est accordée par Cub Cadet LLC et concerne les marchandises neuves achetées et utilisées aux États-Unis, ses possessions et territoires.

Cub Cadet LLC garantit ce produit contre tout vice de matière ou de façon pendant une période de deux (2) ans à compter de la date d'achat initiale et elle se réserve le choix de réparer ou de remplacer, à titre gratuit, toute pièce présentant un vice de matière ou de façon. Cette garantie limitée ne s'appliquera que dans la mesure où le produit aura été utilisé et entretenu conformément au Manuel de l'utilisateur fourni avec le produit et n'aura pas fait l'objet d'un usage inadéquat, abusif, commercial ou négligent, d'un accident, d'un entretien inadéquat, d'une modification, de vandalisme, d'un vol, d'un incendie, de dégâts d'eau ou d'un endommagement résultant d'un autre péril ou d'un désastre naturel. Les dommages résultants de l'installation ou de l'utilisation de tout accessoire ou équipement non approuvé par Cub Cadet pour une utilisation avec le(s) produit(s) couvert(s) par le présent manuel annuleront la garantie en ce qui concerne les dommages qui en résulteraient éventuellement. La présente garantie est limitée à quatre-vingt-dix (90) jours à compter de la date d'achat au détail initiale pour tout produit Cub Cadet utilisé à des fins locatives ou commerciales, ou toute utilisation produisant des revenus.

POUR L'OBTENTION DU SERVICE DE GARANTIE : le service au titre de la garantie est disponible, SUR PRÉSENTATION D'UNE PREUVE D'ACHAT, AUPRÈS DU DISTRIBUTEUR AGRÉÉ LOCAL. Pour trouver un distributeur dans votre région, visitez notre site Web www.cubcadet.com, consultez les Pages Jaunes, appelez le **1-877-282-8684** ou écrivez à l'adresse Cub Cadet LLC, PO Box 361131, Cleveland, OH 44136-0019.

La garantie limitée n'offre aucune couverture dans les cas suivants :

- A. Mises au point : bougies, réglages de carburateur, filtres
- B. Éléments pouvant s'user : boutons de butée, bobines extérieures, fil de coupe, moulins intérieurs, poulie du démarreur, cordons de démarrage, courroies d'entraînement
- C. Cub Cadet LLC n'accorde aucune garantie pour les produits vendus ou exportés des États-Unis d'Amérique, de leurs possessions et territoires, exception faite en ce qui concerne les produits vendus par l'intermédiaire de ses canaux agréés de distribution à l'exportation.

Cub Cadet LLC se réserve le droit de modifier ou d'améliorer la conception de ses produits sans pour autant assumer l'obligation de modifier tout produit d'une fabrication plus ancienne.

Aucune garantie implicite, y compris toute garantie de valeur marchande ou d'adaptation à une fin particulière, ne s'applique après la période applicable de garantie expresse écrite ci-dessus concernant les pièces qui sont identifiées. Aucune autre garantie ou caution expresse, écrite ou orale, à l'exception de celle mentionnée ci-dessus, accordée par toute personne ou entité, y compris tout distributeur ou détaillant, concernant tout produit n'engagera la responsabilité de Cub Cadet LLC. Pendant la période de garantie, le recours exclusif est la réparation ou le remplacement du produit dans les conditions énoncées ci-dessus. (Certains états ne permettent pas la limitation de la garantie implicite, il est donc possible que la limitation ci-dessus ne s'applique pas à vous.)

Les clauses énoncées dans la présente Garantie constituent le recours unique et exclusif inhérent aux ventes. Cub Cadet LLC ne sera en aucun cas tenue pour responsable de tout dommage indirect ou consécutif ou de dommages comprenant, entre autres, les dépenses encourues du fait du recours à des services de remplacement ou de substitution pour l'entretien des pelouses, le transport ou des frais connexes, ou les frais entraînés par une location destinée à remplacer provisoirement un produit sous garantie. (Certains états ne permettent pas la limitation de la garantie implicite, il est donc possible que la limitation ci-dessus ne s'applique pas à vous.)

Aucun recouvrement, quel qu'il soit, ne sera d'un montant supérieur au prix du produit vendu. Toute modification des dispositifs de sécurité du produit annulera la présente Garantie. Vous assumez tout risque et toute responsabilité résultant de la perte, de l'endommagement ou du préjudice que vous et votre propriété et/ou d'autres et leur propriété pourront encourir d'un fait de l'utilisation normale, de la mauvaise utilisation ou de l'incapacité d'utiliser le produit.

La présente garantie limitée n'est accordée qu'à l'acheteur initial, au preneur initial ou à la personne à laquelle le produit a été offert.

Le Droit des États vis à vis de la présente garantie : la présente garantie vous confère certains droits juridiques et vous pouvez bénéficier d'autres droits lesquels varient d'un état à l'autre.

Pour obtenir l'adresse du distributeur réparateur le plus proche, composez le : **1-877-282-8684**.

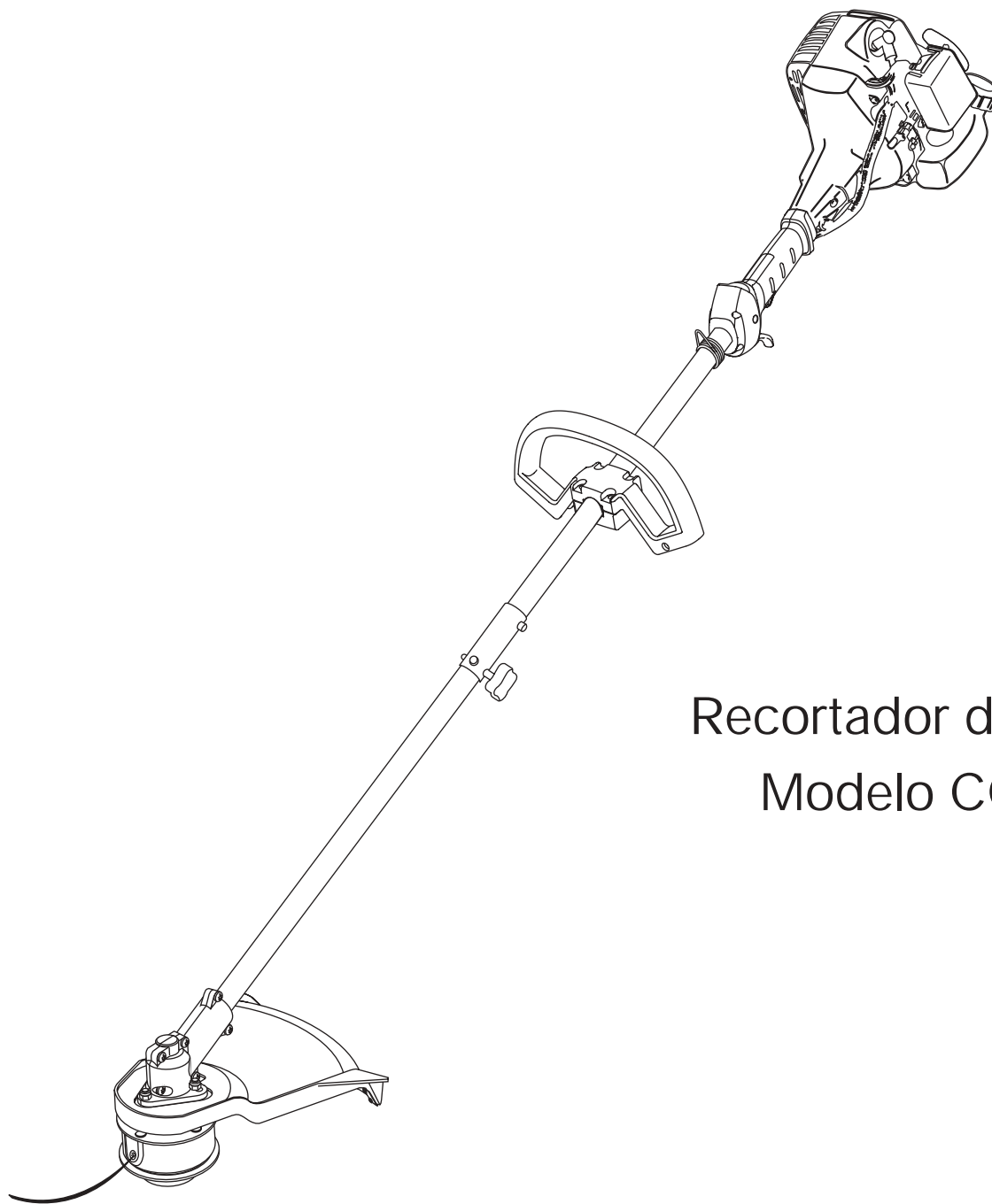
Cub Cadet LLC

PO Box 361131

Cleveland, OH 44136-0019

Cub Cadet

Manuel del Dueño/Operador



Recortador de 2 Ciclos
Modelo CC 3075

IMPORTANTE: LEA LAS REGLAS DE SEGURIDAD E INSTRUCCIONES DETENIDAMENTE

P/N 769-01388 (2/05)

INTRODUCCION

MUCHAS GRACIAS

Gracias por haber adquirido este gran producto. Esta moderna herramienta motriz de exteriores está diseñada para brindarle muchas horas de servicio útil. Usted comprobará que es un artefacto que le ahorrará mucho trabajo. Este manual del operador le brinda instrucciones de operación de fácil comprensión. Lea todo el manual y siga todas las instrucciones para mantener su nueva herramienta motriz de exteriores en las mejores condiciones de funcionamiento.

REFERENCIAS, ILUSTRACIONES Y ESPECIFICACIONES DEL PRODUCTO

Toda la información, las ilustraciones y las especificaciones contenidas en este manual se basan en la información más reciente disponible en el momento de impresión del manual. Nos reservamos el derecho de hacer cambios en cualquier momento sin aviso previo.

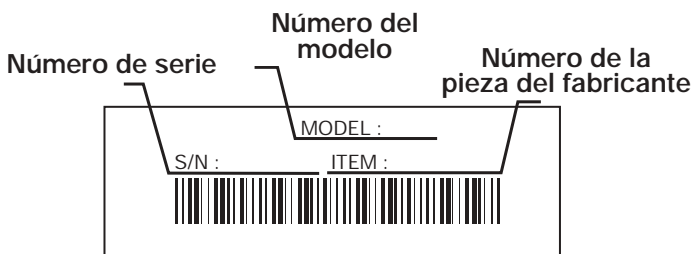
Copyright© 2005 MTD SOUTHWEST INC. Todos los derechos reservados.

INFORMACION DEL SERVICIO

El servicio de esta unidad, ya sea durante o después del período cubierto por la garantía, debe ser realizado solamente por un proveedor de servicios autorizado y aprobado. Llame **1-877-282-8684** para obtener una lista de distribuidores de servicio localizados cerca de usted. Para obtener más detalles sobre su unidad, visite nuestro sitio en www.cubcadet.com.

NO REGRESE SU UNIDAD AL VENDEDOR. PARA SOLICITAR SERVICIO POR LA GARANTIA, DEBERA PRESENTAR PRUEBA DE SU COMPRA.

Antes de que empiece a ensamblar su nuevo equipo, por favor ubique la placa que contiene el modelo de la unidad y escriba esa información en el espacio en blanco aquí debajo. Aquí debajo se explica la muestra de una placa del modelo.



Copie el número del modelo/
pieza del fabricante aquí: _____

Copie el número
de serie aquí: _____

Antes de arrancar u operar este equipo, asegúrese de leer y comprender bien este manual.

ESTE PRODUCTO ESTA CUBIERTO POR UNA O MAS PATENTES DE EE.UU., OTRAS PATENTES EN TRAMITE.

INDICE DE CONTENIDOS

Llamadas a apoyo al cliente	E2
Normas para una operación segura	E3
Conozca su unidad	E6
Instrucciones de ensamble	E7
Información del aceite y del combustible	E8
Instrucciones de arranque y apagado	E9
Instrucciones de operación	E10
Instrucciones de mantenimiento y reparación	E12
Limpieza y almacenamiento	E17
Cuadro de solución de problemas	E18
Especificaciones	E19
Garantía	E24

PARACHISPAS

NOTA: Para los usuarios en tierras forestales de los EE.UU. y en los estados de California, Maine, Oregon y Washington. Todos los terrenos forestales de los EE.UU. y el estado de California (Códigos de Recursos Públicos 4442 y 4443), Oregon y Washington, requieren por decreto, que ciertos motores de combustión interna que se hagan funcionar en zonas boscosas y/o zonas cubiertas por pastizales, estén equipados con un parachispas, que sean mantenidos en buen estado de funcionamiento o que el motor sea construido, esté equipado y sea mantenido para evitar incendios. Consulte los reglamentos pertinentes a esos requisitos con las autoridades estatales o locales. El incumplimiento de esos requisitos puede responsabilizarle o someterle a la imposición de una multa. **Esta unidad fue equipada en la fábrica con un parachispas.** Si requiere sustitución, hay una **Pantalla Parachispas disponible**, al contactar el departamento de servicio.

PROPOSICIÓN 65 DE CALIFORNIA

⚠ ADVERTENCIA ⚠

LAS EMISIONES DEL MOTOR DE ESTE PRODUCTO CONTIENEN SUBSTANCIAS QUIMICAS QUE EL ESTADO DE CALIFORNIA CONOCE COMO CAUSANTES DE CANCER, DEFECTOS DE NACIMIENTO U OTROS DAÑOS REPRODUCTIVOS.

NORMAS PARA UNA OPERACION SEGURA

Los símbolos de seguridad se utilizan para llamar su atención sobre posibles peligros. Los símbolos de seguridad y sus explicaciones merecen toda su atención y comprensión. Los símbolos de seguridad no eliminan ningún peligro por sí mismos. Las instrucciones o advertencias que ofrecen no substituyen las medidas adecuadas de prevención de accidentes.

SIMBOLO	SIGNIFICADO
---------	-------------



ALERTA DE SEGURIDAD:

Indica peligro, advertencia o precaución. Debe prestar atención para evitar sufrir graves lesiones personales. Puede ser utilizado junto con otros símbolos o figuras.

NOTA: Le ofrece información o instrucciones que son esenciales para la operación o mantenimiento del equipo.

Lea el manual del operador y siga todas las advertencias e instrucciones de seguridad. De no hacerlo, el operador y/o los espectadores pueden sufrir graves lesiones.

SI TIENE PREGUNTAS, LLAME AL 1-877-282-8684

SIMBOLO	SIGNIFICADO
---------	-------------



PELIGRO: El no obedecer una advertencia de seguridad puede conducir a que usted u otras personas sufran graves lesiones. Siga siempre las precauciones de seguridad para reducir el riesgo de incendio, descarga eléctrica y lesiones personales.



ADVERTENCIA: El no seguir una advertencia de seguridad puede conducir a que usted u otras personas sufran lesiones. Siga siempre las precauciones de seguridad para reducir el riesgo de incendio, descarga eléctrica y lesiones personales.



PRECAUCION: El no seguir una advertencia de seguridad puede conducir a daño patrimonial o a que usted u otras personas sufran lesiones personales. Siga siempre las precauciones de seguridad para reducir el riesgo de incendio, descarga eléctrica y lesiones personales.

• IMPORTANTE INFORMACION DE SEGURIDAD •

LEA TODAS LAS INSTRUCCIONES ANTES DE LA OPERACION

- Lea todas las instrucciones con cuidado. Conozca bien los controles y el uso correcto de la unidad.
- No opere esta unidad si está cansado, enfermo, o bajo los efectos del alcohol, drogas o medicamentos.
- Los niños y los adolescentes menores de 15 años no deben operar las unidades, excepto por los adolescentes guiados por un adulto.
- Inspeccione la unidad antes de utilizarla. Cambie las partes dañadas. Verifique si existen pérdidas de combustible. Asegúrese de que los sujetadores estén bien colocados y asegurados. Cambie las partes accesorias de corte que estén quebradas, cascadas o dañadas de cualquier forma. Asegúrese de que el accesorio de corte está bien instalado y ajustado con firmeza. Asegúrese de que la protección accesorio de corte esté bien conectada y colocada según se recomienda.
- Use sólo línea de repuesto fabricante del equipo original de 2,67 mm (0,105 pulgadas) de diámetro. Nunca use línea con refuerzo de metal, cable, sogas, etc. Estas pueden desprenderse y convertirse en un proyectil peligroso.
- Tenga en cuenta el riesgo de lesiones en la cabeza, manos y pies.
- Oprima el control del regulador y verifique que regrese automáticamente a la posición de mínima. Haga todos los ajustes o reparaciones antes de usar la unidad.

- Limpie el área de corte antes de cada uso. Retire todos los objetos como rocas, vidrios rotos, clavos, alambre o cuerda los cuales pueden ser despedidos o enredarse en el accesorio de corte. Aleje a todos los niños, espectadores y animales domésticos. Mantenga todos los niños, espectadores y animales domésticos a un radio de por lo menos 15 m (50 pies); aún así puede existir un riesgo de objetos despedidos contra los espectadores. Debe sugerir a los espectadores que usen protección ocular. Si alguien se le acerca, pare el motor y el accesorio de corte de inmediato.

ADVERTENCIAS DE SEGURIDAD PARA LOS RECORTADORES A GASOLINA



ADVERTENCIA: La gasolina es muy inflamable y sus gases pueden explotar si se encienden. Tome las siguientes precauciones:

- Guarde el combustible en envases que hayan sido diseñados y aprobados para el almacenamiento de dichos materiales.
- Antes de llenar el tanque de combustible, apague siempre el motor y espere que se enfríe. No retire nunca la tapa del tanque de combustible ni cargue combustible mientras el motor esté caliente. No opere nunca la unidad sin la tapa del combustible colocada firmemente en su lugar. Afloje la tapa del combustible lentamente para disipar la presión del tanque.

NORMAS PARA UNA OPERACION SEGURA

- Mezcle y cargue el combustible en un área exterior bien ventilada donde no haya chispas ni llamas. Quite lentamente la tapa del combustible sólo después de apagar el motor. No fume mientras carga o mezcla el combustible. Limpie de inmediato todo el combustible que se haya derramado.
- Evite crear una fuente de encendido por combustible derramado. No arranque el motor hasta que se hayan disipado los vapores del combustible.
- Aleje la unidad a por lo menos 9,1 m (30 pies) del lugar de carga de combustible antes de arrancar el motor. No fume, mantenga las chispas y las llamas abiertas lejos del área mientras carga el combustible u opera la unidad.

DURANTE LA OPERACION

- No arranque ni opere la unidad en una sala o edificio cerrado. Los gases de escape de monóxido de carbono pueden ser letales en un área cerrada. Opere esta unidad sólo en un área exterior bien ventilada.
- Use lentes o gafas de protección que cumplan con las normas ANSI Z87.1-1989, y protección para sus oídos/audición mientras opere esta unidad. Use siempre una máscara facial o para protegerse contra el polvo si la operación levanta polvo.
- Use pantalones largos y gruesos y guantes. No vista ropa holgada, alhajas, pantalones cortos, sandalias ni esté descalzo. Asegure su cabello sobre el nivel de los hombros.
- La protección accesoria de corte debe estar siempre colocada en su lugar mientras opere la unidad. No opere la unidad con las dos líneas de corte extendidas, y la línea correcta instalada. No extienda la línea de corte más allá de la longitud de la protección.
- Esta unidad cuenta con un embrague. El accesorio de corte permanece estacionario cuando el motor está en marcha lenta. Si no lo hace, haga ajustar la unidad por un técnico de servicio autorizado.
- Ajuste la manija en D de acuerdo a su medida para lograr el mejor agarre.
- Asegúrese de que el accesorio de corte no está en contacto con ningún objeto antes de arrancar la unidad.
- Use la unidad únicamente con la luz del día o con buena luz artificial.
- Evite arrancar la unidad accidentalmente. Colóquese en posición de inicio siempre que tire de la cuerda de arranque. El operador y la unidad deben estar en una posición estable al comenzar. Lea las *instrucciones de Arranque y Apagado*.
- Use la herramienta adecuada. No use esta unidad para ninguna tarea para la cual no ha sido diseñada.
- No se estire demasiado. Mantenga siempre una posición y equilibrio adecuados.
- Sostenga siempre la unidad con ambas manos mientras esté en funcionamiento. Sostenga con firmeza tanto el mango como la manija auxiliar.

- Mantenga las manos, la cara y los pies lejos de todas las partes móviles. No intente tocar ni detener el accesorio de corte mientras gira.
- No toque el silenciador ni el cilindro. Estas partes se calientan mucho con la operación. Luego de apagarlas permanecen calientes durante un corto tiempo.
- No opere el motor a una velocidad mayor que la necesaria para cortar, recortar o recortar los bordes. No haga funcionar el motor a alta velocidad mientras no está cortando.
- Apague siempre el motor cuando demore el corte o mientras camina entre zonas de corte.
- Si golpea o se enreda con algún objeto extraño, apague el motor de inmediato y verifique si hay daños. Repare todos los daños antes de volver a intentar operar la unidad. No opere la unidad si tiene piezas flojas o dañadas.
- Apague el motor para realizar todo el mantenimiento, reparaciones o cambio del accesorio de corte u otros accesorios.
- Use sólo piezas y accesorios de repuesto fabricante del equipo original para esta unidad. Estas piezas están disponibles en su distribuidor autorizado. No use piezas, accesorios ni auxiliares que no hayan sido diseñados para esta unidad. Su uso puede conducir a que el usuario sufra graves lesiones o al daño de la unidad y a la invalidación de su garantía.
- Mantenga la unidad libre de vegetación y otros materiales. Pueden alojarse entre el accesorio de corte y la protección.
- Para reducir el riesgo de incendio, cambie los silenciadores y amortiguadores de chispas defectuosos, mantenga el motor y el silenciador libre de pasto, hojas, grasa excesiva o acumulaciones de carbono.

OTRAS ADVERTENCIAS DE SEGURIDAD

- No guarde nunca la unidad con combustible en el tanque en un edificio donde los gases puedan llegar a una llama abierta o a una chispa.
- Espere que el motor se enfríe antes de guardar o transportar la unidad. Asegúrese de que la unidad esté segura al transportarla.
- Guarde la unidad bajo llave en un lugar adecuado y seco para evitar que sea usada por personas no autorizadas y se dañe, fuera del alcance de los niños.
- Nunca moje ni rocíe la unidad con agua ni con ningún otro líquido. Mantenga las manijas secas, limpias y sin residuos. Limpie la unidad luego de cada uso, lea las instrucciones de *Limpieza y Almacenamiento*.
- Guarde estas instrucciones. Consúltelas con frecuencia y utilícelas para enseñar a otros usuarios. Si le presta esta unidad a alguien, préstele también estas instrucciones.

CONSERVE ESTAS INSTRUCCIONES

NORMAS PARA UNA OPERACION SEGURA

SIMBOLOS DE SEGURIDAD E INTERNACIONALES

Este manual del operador describe los símbolos y figuras de seguridad e internacionales que pueden aparecer en este producto. Lea el manual del operador para obtener información completa acerca de la seguridad, ensamble, operación y mantenimiento y reparación.

SIMBOLO

SIGNIFICADO



- **SIMBOLO DE ALERTA DE SEGURIDAD**

Indica peligro, advertencia o precaución. Puede ser utilizado junto con otros símbolos o figuras.



- **ADVERTENCIA - LEA EL MANUAL DEL OPERADOR**

Lea el manual del operador y siga todas las advertencias e instrucciones de seguridad. De no hacerlo, el operador y/o los espectadores pueden sufrir graves lesiones.



- **USE PROTECCION OCULAR Y AUDITIVA**

ADVERTENCIA: Los objetos arrojados por la unidad y el ruido fuerte pueden causar graves lesiones oculares y pérdida auditiva. Utilice protección ocular que cumpla con las normas ANSI Z87.1 y protección auditiva cuando opere esta unidad. Use una careta completa cuando la necesite.



- **MANTENGA ALEJADOS A LOS ESPECTADORES**

ADVERTENCIA:

Mantenga a todos los espectadores, en especial a niños y animales domésticos a por lo menos 50 pies (15 m.) del área de corte.



- **COMBUSTIBLE SIN PLOMO**

Use siempre combustible limpio, nuevo y sin plomo.

SIMBOLO

SIGNIFICADO



- **LOS OBJETOS DESPEDIDOS Y LA CUCHILLA ROTATIVA PUEDEN CAUSAR GRAVES LESIONES**

ADVERTENCIA: No opere esta unidad si la protección plástica de línea no está colocada en su lugar. Manténgase alejado del accesorio de corte giratorio.



- **CONTROL DE ENCENDIDO Y APAGADO**

ENCENDIDO /ARRANQUE /MARCHA



- **CONTROL DE ENCENDIDO Y APAGADO**

APAGADO o PARADO



- **ADVERTENCIA DE SUPERFICIE CALIENTE**

No toque un silenciador ni un cilindro caliente. Puede quemarse. Estas partes se calientan mucho con el uso. Luego de apagarse permanecen calientes durante un corto tiempo.



- **INDICADOR DE ACEITE**

Consulte el manual del operador para obtener información acerca del tipo correcto de aceite.

NORMAS PARA UNA OPERACION SEGURA

CONOZCA SU UNIDAD

APLICACIONES

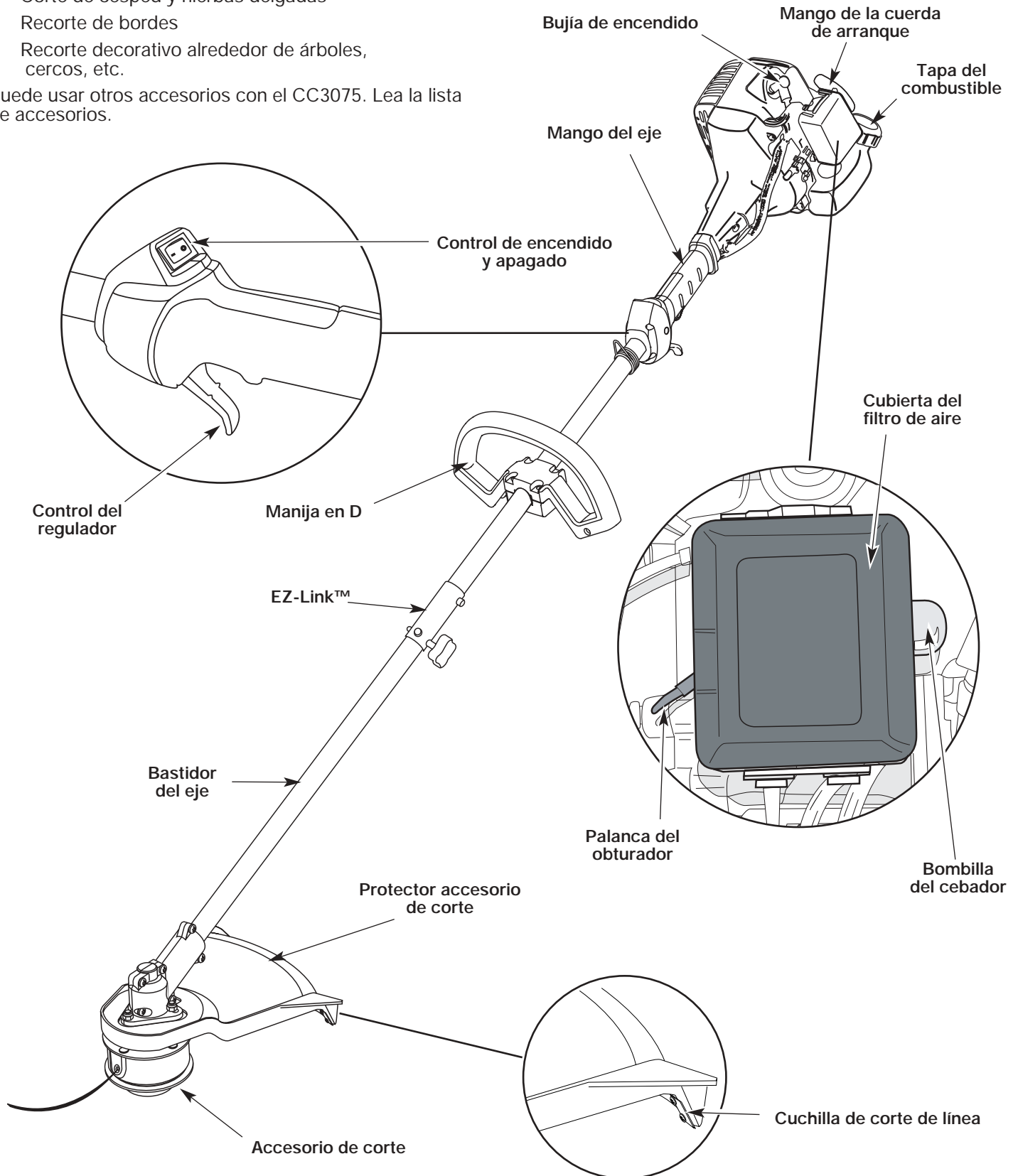
Como recortadora;

- Corte de césped y hierbas delgadas
- Recorte de bordes
- Recorte decorativo alrededor de árboles, cercos, etc.

Puede usar otros accesorios con el CC3075. Lea la lista de accesorios.

Con el juego opcional de accesorios para cortar malezas:

- Corte de hierbas y arbustos delgados de hasta 1,3 cm (1/2 pulgada) de diámetro



INSTRUCCIONES DE ENSAMBLE

INSTALACIÓN Y AJUSTE DE LA MANIJA EN D

1. Retirez les vis, écrous et la bride inférieure posés sur la poignée en D avant livraison.
2. Placez la poignée en D sur le corps de l'arbre et au-dessus de la bride inférieure (Fig. 1). Placez-la à au moins 15,24 cm (6 po) de l'extrémité de la prise de l'arbre.
3. Maintenez d'un doigt chaque écrou hex dans le renforcement de la bride inférieure. Commencez à visser à l'aide d'un grand tournevis. Ne serrez pas avant de régler le guidon.

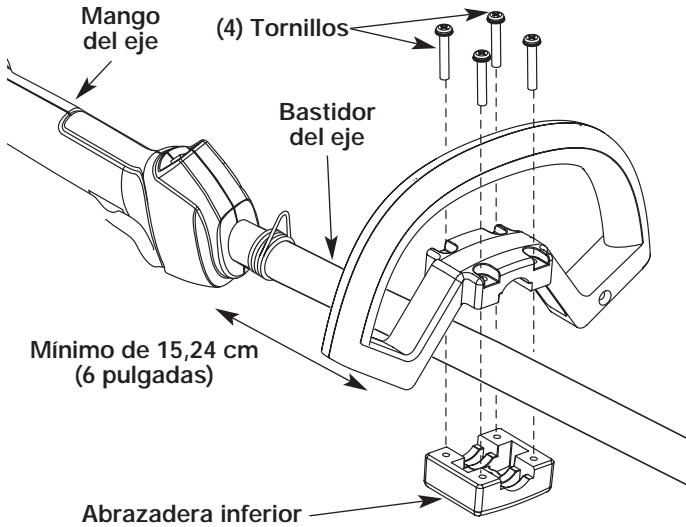


Fig. 1

4. Si elle a déjà été préinstallée, desserrez les quatre vis de fixation de la poignée en D juste assez pour pouvoir la déplacer.
5. Tenez l'appareil en position d'utilisation (Fig. 2), puis positionnez la poignée en D de manière à assurer une prise idéale.
6. Serrez les vis de bride uniformément jusqu'à bien fixer la poignée.



INFORMACION DEL ACEITE Y DEL COMBUSTIBLE

INSTRUCCIONES PARA MEZCLAR EL ACEITE Y EL COMBUSTIBLE

El combustible viejo o mal mezclado son los motivos principales del mal funcionamiento de la unidad. Asegúrese de usar combustible nuevo, limpio y sin plomo. Siga las instrucciones en detalle para mezclar correctamente el aceite y el combustible.

Definición de los combustibles de mezcla

Los combustibles actuales con frecuencia son una mezcla de gasolina y oxigenantes como por ejemplo etanol, metanol o MTBE (éter). El combustible mezclado con alcohol absorbe agua. Una cantidad tan pequeña como el 1% de agua en el combustible puede causar la separación del combustible y el aceite. Forma ácidos cuando está almacenado. Cuando use combustible mezclado con alcohol, use combustible nuevo (de menos de 60 días).

Uso de combustibles de mezcla


Si usted opta por usar un combustible de mezcla o si su uso es inevitable, tome las precauciones recomendadas.

- Use siempre una mezcla fresca de combustible según lo indica su manual del operador.
- Agite siempre la mezcla de combustible antes de cargarlo en la unidad.
- Drene el tanque y haga funcionar el motor en seco antes de guardar la unidad.

Uso de aditivos en el combustible



La botella de aceite de 2 ciclos que vino con su unidad contiene un aditivo en el combustible que ayudará a inhibir la corrosión y a reducir la formación de depósitos de goma. Se recomienda que use sólo el aceite de 2 ciclos con esta unidad.

Si es inevitable, use un buen aceite de 2 ciclos elaborado para motores enfriados por aire junto con un aditivo para el combustible como por ejemplo el estabilizador de gasolina STA-BIL® o similar. Agregue 23 mL (0,8 onzas) de aditivo de combustible por galón de combustible de acuerdo con las instrucciones del envase. NUNCA agregue aditivos directamente en el tanque de combustible de la unidad.

	PRECAUCION: Para que el motor funcione correctamente y con la mayor fiabilidad, preste mucha atención a las instrucciones de mezcla de aceite y combustible del envase de aceite de 2 ciclos. El uso de combustible mezclado en forma incorrecta puede dañar seriamente el motor.
---	--

Mezcle bien la proporción correcta de aceite para motor de 2 ciclos y gasolina sin plomo en una lata de combustible por separado. Use una proporción de 40:1 de combustible y aceite. No los mezcle directamente en el tanque de combustible de la unidad. Consulte las proporciones específicas de mezcla de gasolina y aceite en la tabla siguiente.

NOTA: 3,8 litros (un galón) de gasolina sin plomo mezclada con una botella de 95 mL (3,2 onzas) de aceite de 2 ciclos es una proporción de 40:1 de combustible y aceite.

	+	
GASOLINA SIN PLOMO		ACEITE DE 2 CICLOS
3,8 LITROS (1 GALON de EE.UU.)		95 mL (3,2 ONZAS FLUIDAS)
1 LITRO		25 mL

PROPORCION DE LA MEZCLA = 40 : 1

	ADVERTENCIA: La gasolina es muy inflamable. Los gases pueden explotar si se encienden. Apague siempre el motor y espere que se enfríe antes de cargar el tanque de combustible. No fume mientras llena el tanque. Mantenga las chispas y las llamas lejos del área.
---	--

	ADVERTENCIA: Saque la tapa del combustible lentamente para evitar lesionarse con el rociado del combustible. No opere nunca la unidad sin la tapa del combustible firmemente colocada en su lugar.
---	---

	ADVERTENCIA: Cargue el combustible en un área exterior limpia y bien ventilada. Limpie de inmediato todo combustible que se haya derramado. Evite crear una fuente de encendido con el combustible derramado. No arranque el motor hasta que se hayan evaporado los gases del combustible.
---	---

NOTA: Elimine la mezcla vieja de aceite y combustible de acuerdo con los reglamentos federales, estatales y locales.

INSTRUCCIONES DE ARRANQUE Y APAGADO



ADVERTENCIA: Use esta unidad sólo en un área exterior bien ventilada. Los gases de escape de monóxido de carbono pueden ser letales en un área cerrada.



ADVERTENCIA: Evite los arranques accidentales. Colóquese en posición de inicio cuando tire de la cuerda de arranque (Fig. 5). El operador y la unidad deben estar en una posición estable al arrancar la unidad para evitar graves lesiones personales.

INSTRUCCIONES DE ARRANQUE

1. Mezcle la gasolina con el aceite. Llene el tanque de combustible con la mezcla de combustible/aceite. Vea las Instrucciones para Mezclar el Aceite y el Combustible.
2. Coloque el control de encendido y apagado en posición de ENCENDIDO (I) (Fig. 3).
3. Oprima completamente el cebador y suéltelo 10 veces. Hágalo lentamente. Se deberá ver un poco de combustible en el cebador y en las tuberías de alimentación de combustible (Fig. 4). Si no puede ver el combustible en el cebador, oprímalo y suéltelo tantas veces como sea necesario hasta que vea combustible en el mismo.
4. Coloque la palanca del obturador en Posición 1 (Fig. 4).
5. Soporte en la posición de arranque (Fig. 5) y apriete el control de aceleración. Tire bruscamente del cordón de arranque hasta 4 veces.
6. Coloque la palanca del obturador en Posición 2.
7. Mientras oprime el control del regulador, tire de la cuerda de arranque rápidamente de 1 a 4 veces para arrancar el motor.
8. Mantenga oprimido el regulador y deje que el motor se caliente durante 10 a 15 segundos.
9. Coloque la palanca del obturador en Posición 3. La unidad está lista para usarse.

NOTA: Mueva la palanca del obturador a la Posición 3 para lograr el rendimiento óptimo del motor. NO deje la palanca en la Posición 2.

SI... El motor no arranca, regrese al paso 3.

SI... El motor no arranca después de varios intentos, coloque la palanca del obturador en la Posición 3 y oprima el control del regulador. Hale la cuerda del arranque con fuerza de 3 a 8 veces. El motor deberá arrancar. Si no sucede así, repita el procedimiento.

SI SE CALIENTA... El motor ya está caliente, cerciórese de que el control de Encendido/Apagado [On/Off] esté en la posición de Encendido [ON] y arranque la unidad con la palanca del obturador en la Posición 2. Después de que la unidad arranque, mueva la palanca del obturador a la Posición 3.

INSTRUCCIONES DE APAGADO

1. Saque la mano del control del regulador. Deje enfriar el motor en mínima.
2. Coloque el control de encendido y apagado en posición de APAGADO (O) (Fig. 3).

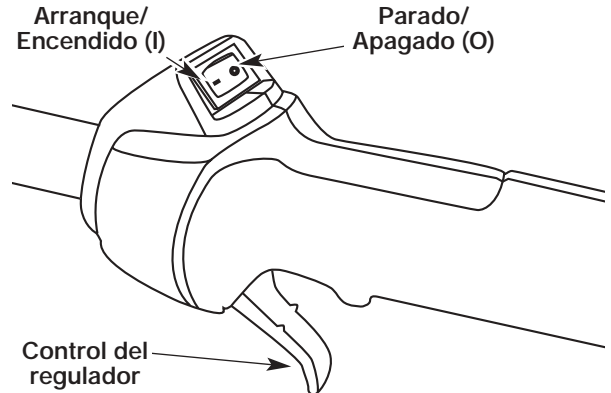


Fig. 3

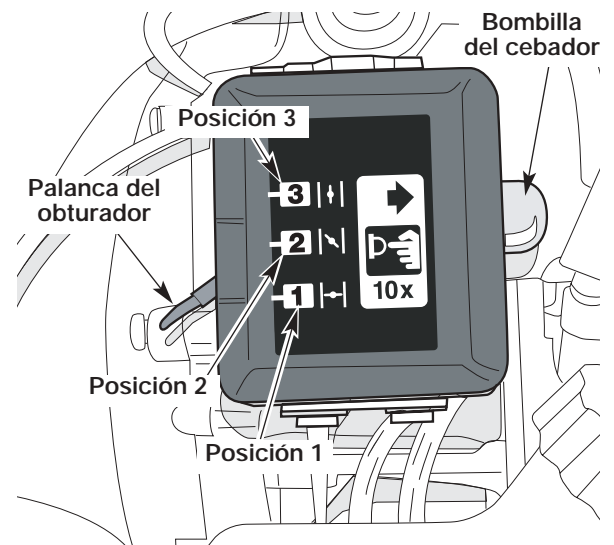


Fig. 4

Posición de Arranque

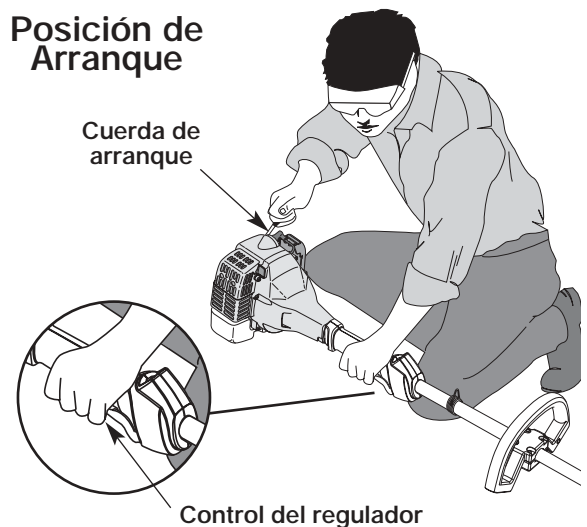


Fig. 5

INSTRUCCIONES DE OPERACIÓN

OPERACION DEL SISTEMA EZ-Link™

El sistema EZ-Link™ le permite el uso de estos accesorios optativos.

Cultivador	TBGC
Edger	TBLE
Recortador de setos	TBAH
Recortador de eje recto	TBSS
Turbosoplador	TBTB
Sierra de poste	TBPS
Cortamalezas	TBBC*

*NO use este accesorio con un producto eléctrico.

	ADVERTENCIA: Antes de comenzar a usar este accesorio, lea y comprenda el manual que viene con el accesorio. Siga toda la información de seguridad contenida en el mismo.
--	---

	ADVERTENCIA: Para evitar lesiones personales, apague la unidad antes de sacar o instalar accesorios.
--	---

Remoción del accesorio de corte u otros accesorios

1. Gire la perilla en sentido antihorario para aflojarla (Fig. 6).
2. Opima y sostenga el botón de desconexión (Fig. 6).
3. Mientras sostiene el bastidor del eje superior con firmeza, tire del accesorio de corte o accesorio en línea recta fuera del acoplador EZ-Link™.

Instalación del accesorio de corte u otros accesorios

NOTA: Para facilitar la instalación o remoción de los accesorios, coloque la unidad sobre el suelo o sobre un banco de trabajo.

1. Gire la perilla en sentido antihorario para aflojarla (Fig. 6).

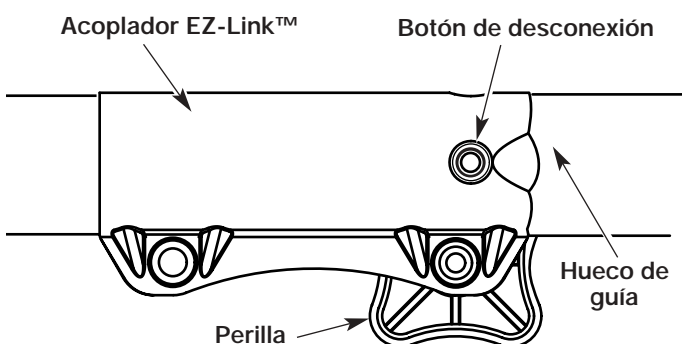


Fig. 6

2. Mientras sostiene el accesorio con firmeza, empújelo en línea recta en el acoplador EZ-Link™ (Fig. 7).

NOTA: La alineación del botón de desconexión con el hueco de guía facilitará la instalación (Fig. 6).

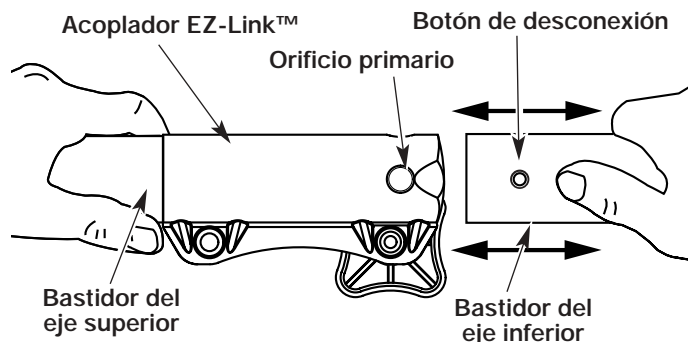


Fig. 7

3. Gire la perilla en sentido horario para ajustarla (Fig. 8).

	PRECAUCION: Trabe el botón de desconexión en el orificio primario y ajuste bien la perilla antes de operar esta unidad.
--	--

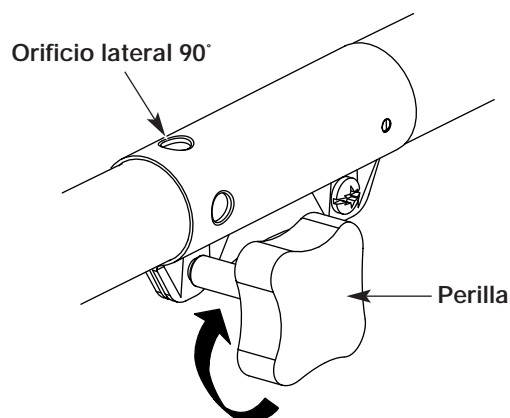


Fig. 8

	PRECAUCION: El accesorio de corte y los accesorios con el sistema EZ-Link™ deben ser usados en el orificio primario a menos que se indique lo contrario en el manual del operador del accesorio. El usar el orificio incorrecto puede conducir a lesiones personales o daño de la unidad.
--	--

Para recortar bordes mientras usa el accesorio de corte de cabeza de línea con modelos EZ-Link™, trabe el botón de desconexión en el **orificio lateral de 90°** (Fig. 8).

INSTRUCCIONES DE OPERACION

COMO SOSTENER EL RECORTADOR



ADVERTENCIA: Use siempre protección para sus ojos, audición, pies y cuerpo para reducir el riesgo de una lesión al operar esta unidad.

Antes de operar esta unidad, párese en posición de operación (Fig. 9). Verifique lo siguiente:

- El operador tiene protección ocular y ropa adecuada.
- El brazo derecho está levemente doblado, y la mano está sosteniendo el mango del eje.
- El brazo izquierdo está recto y la mano sostiene la manija en D.
- La unidad está debajo del nivel de la cintura.
- El accesorio de corte está paralelo al suelo y hace fácil contacto con la vegetación que va a ser cortada sin que el operador tenga que inclinarse.



Fig. 9

AJUSTE DE LA LONGITUD DE LA LINEA DE CORTE

El accesorio de corte Bump Head™ le permite soltar línea de corte sin apagar el motor. Para soltar más línea, golpee suavemente el accesorio de corte contra el suelo (Fig. 10) mientras opera el recortador a alta velocidad.

NOTA: Mantenga siempre la línea de corte completamente extendida. Es más difícil soltar línea al acortarse la línea de corte.

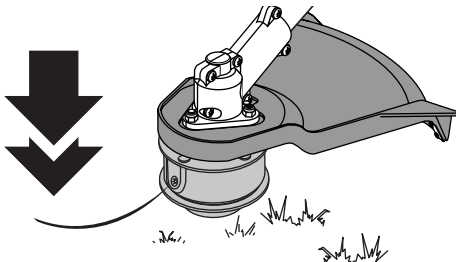


Fig. 10

Cada vez que se golpea la cabeza, se suelta alrededor de 25,4 mm (1 pulgada) de línea de corte. La cuchilla en la protección del accesorio de corte detendrá la línea en la longitud correcta si se suelta demasiada línea.

Para obtener mejores resultados, golpee la perilla percuisva sobre terreno limpio o tierra dura. Si intenta soltar la línea sobre el césped alto, el motor podrá ahogarse. Mantenga siempre la línea de corte completamente extendida. Es más difícil soltar línea al acortarse la línea de corte.

NOTA: No apoye la perilla percuisva sobre el suelo mientras la unidad esté en funcionamiento.



PRECAUCION: No saque ni altere el ensamble de la cuchilla limitadora de línea. La longitud excesiva de la línea causará el recalentamiento del motor. Esto puede causar graves lesiones personales o daño a la unidad.

La línea puede cortarse por:

- Enredarse con un objeto extraño
- Fatiga normal de la línea
- Intentar cortar hierbas gruesas y leñosas
- Forzar la línea en objetos como paredes o postes de cercos.

CONSEJOS PARA OBTENER MEJORES RESULTADOS AL RECORTAR

- El ángulo correcto para ubicar el accesorio de corte es paralelo al suelo.
- No fuerce el accesorio de corte. Permita que la punta de la línea realice el corte (en especial a lo largo de paredes). Si corta con más de la punta reducirá la eficacia del corte y puede sobrecargar el motor.
- Corte césped de más de 200 mm (8 pulgadas) trabajando de arriba hacia abajo en pequeños incrementos para evitar el desgaste prematuro de la línea y el arrastre del motor.
- Corte de derecha a izquierda siempre que sea posible. Cortar hacia la izquierda mejora la eficiencia de la unidad. Los recortes salen arrojados en sentido contrario al operador.
- Mueva lentamente el recortador dentro y fuera del área de corte a la altura deseada. Realice movimientos ya sea de adelante hacia atrás y viceversa, o de lado a lado. El corte en longitudes más cortas produce mejores resultados.
- Recorte únicamente cuando el pasto y las hierbas estén secas.
- La vida de su línea de corte depende de:
 - Seguir todas las técnicas de corte indicadas anteriormente
 - El tipo de vegetación que corte
 - El lugar donde se corta

Por ejemplo, la línea se desgastará más rápido cuando corte contra un muro que cuando corte alrededor de un árbol.

RECORTE DECORATIVO

El recorte decorativo se realiza eliminando toda la vegetación de alrededor de los árboles, postes, cercos, etc.

Gire toda la unidad a modo de que el accesorio de corte se ubique a un ángulo de 30° con el suelo (Fig 11).

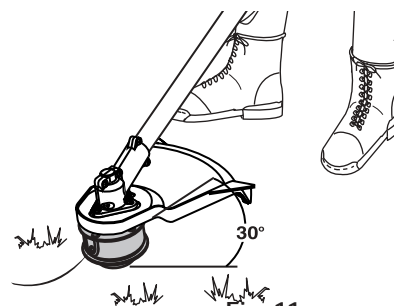


Fig. 11

INSTRUCCIONES DE MANTENIMIENTO Y REPARACION

NOTA: Algunos procedimientos de mantenimiento pueden requerir el uso de herramientas o habilidades especiales. Si no está seguro acerca de estos procedimientos, lleve su unidad a un establecimiento de reparación, persona o distribuidor de servicio autorizado que arregle motores para uso fuera de la carretera.

PROGRAMA DE MANTENIMIENTO

Estos procedimientos requeridos para el mantenimiento deben ser realizados con la frecuencia indicada en la tabla. Deben ser incluidos como parte de toda puesta a punto de cada temporada.

	<p>ADVERTENCIA: Para evitar lesiones personales graves, nunca realice mantenimiento ni reparaciones con la unidad funcionando. Realice siempre el mantenimiento y las reparaciones con la unidad fría. Desconecte el cable de la bujía de encendido para cerciorarse de que la unidad no arrancará.</p>
--	--

NOTA: El mantenimiento, la sustitución o arreglo de dispositivos para el control de emisiones y sistemas pueden ser hechos por cualquier establecimiento de reparación, persona o proveedor de servicio autorizado que arregle motores para uso fuera de la carretera.

A fin de garantizar el máximo desempeño del motor, puede ser necesario inspeccionar la lumbrera de escape del motor después de 50 horas de funcionamiento. Si usted observa pérdida de RPM, funcionamiento deficiente o falta general de aceleración, es posible que sea necesario realizar este mantenimiento. Si usted considera que su motor necesita esta inspección, haga que un establecimiento de reparación, persona o proveedor de servicio autorizado que arregle motores para uso fuera de la carretera le preste el servicio. **NO** intente realizar este proceso usted mismo ya que puede ocasionar daños al motor producto de los contaminantes que se encuentran en el proceso de limpieza de la lumbrera.

FRECUENCIA	MANTENIMIENTO REQUERIDO	CONSULTE
Antes de arrancar el motor	Llene el tanque de combustible con la mezcla correcta de aceite y combustible	Página E8
Cada 10 horass	Limpie y vuelva a aceitar el filtro de aire	Página E14
Cada 25 horass	Inspeccione la condición y la separación de la bujía de encendido	Página E16
Cada 50 horas	Inspeccione si la lumbrera de escape está tupidas u obstruidas para garantizar los niveles máximos de rendimiento	

INSTALACION DE LA LINEA

Esta sección cubre la instalación de la línea SplitLine™ y de la línea individual regular.

Use siempre la línea de repuestos de 2,67 mm (0,105 pulg.) del fabricante del equipo original. Una línea que no sea la indicada puede causar que el motor se recaliente o falle.

	<p>ADVERTENCIA: No use nunca línea reforzada con metal, alambre, cadena ni sogá, etc. Estos elementos pueden desprenderse y convertirse en un proyectil peligroso.</p>
--	---

Existen dos métodos para cambiar la línea de corte.

- Bobine el carrete interior con línea nueva.
- Instale un carrete interior prebobinado

Bobinado del carrete interior existente

1. Sostenga la bobina exterior con una mano y desenrosque el botón de tope en sentido antihorario (Fig. 12). Inspeccione el perno de adentro del botón de tope para verificar que se mueva con libertad. Cambie el botón de tope si está dañado.
2. Saque el carrete interior de la bobina exterior (Fig. 12).
3. Saque el resorte del carrete interior (Fig. 12).
4. Use un paño limpio para limpiar el carrete interior, el resorte, el eje y la bobina exterior.
5. Verifique el desgaste de los dientes de posición del carrete interior y bobina exterior (Fig. 13). Si es necesario, saque la rebaba o cambie el carrete y la bobina.

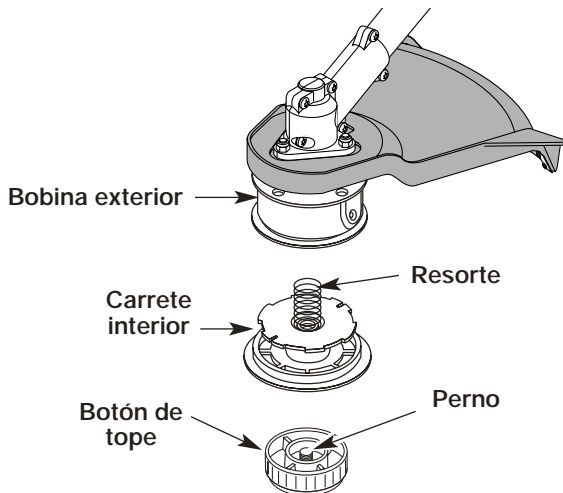


Fig. 12

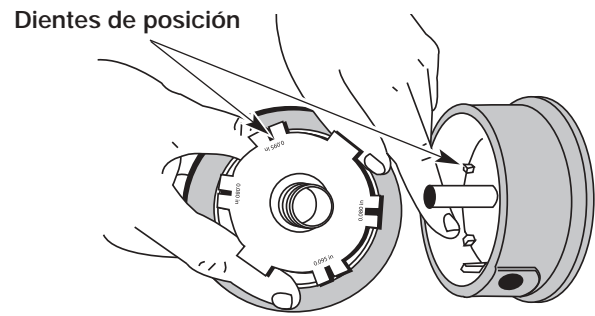
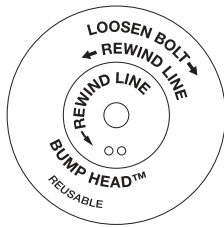


Fig. 13

INSTRUCCIONES DE MANTENIMIENTO Y REPARACION

Para usar SÓLO con línea individual



Para usar con SplitLine™ o línea individual

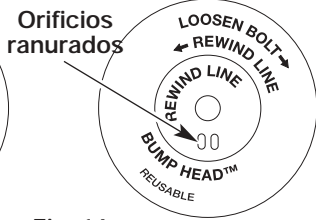


Fig. 14

NOTA: La línea SplitLine™ sólo puede usarse con el carrete interior con los orificios ranurados. La línea individual puede usarse en cualquier tipo de carrete interior. Use la Figura 14 para identificar el carrete interior que usted tiene.

NOTA: Use siempre la longitud correcta de línea cuando instale la línea de corte en la unidad. La línea puede no soltarse en forma adecuada si es demasiado larga.

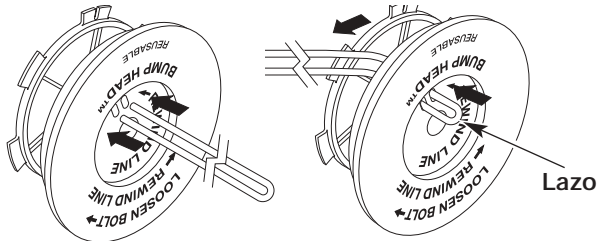


Fig. 15

Instalación de la línea individual

Lea la instalación de la línea SplitLine™ en el paso 8

6. Tome aproximadamente 6 m (20 pies) de nueva línea de corte, enlácela en dos longitudes iguales. Inserte cada extremo de la línea a través de uno de los dos orificios del carrete interior (Fig. 15). Pase la línea a través del carrete interior de modo que el lazo sea lo más pequeño posible.
7. Bobine las líneas en capas parejas y ajustadas sobre el carrete (Fig. 16). Bobine la línea en la dirección indicada en el carrete interior. Coloque su dedo índice entre las dos líneas para evitar que se superpongan. No superponga los extremos de la línea. Proceda al paso 11.

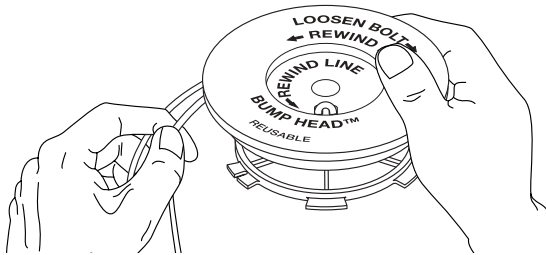


Fig. 16

Instalación de la línea SplitLine™

8. Tome aproximadamente 3 m (10 pies) de nueva línea de corte. Inserte un extremo de la línea a través de uno de los orificios del carrete interior (Fig. 17). Pase la línea a través del carrete interior hasta que queden sólo 4 pulgadas fuera.

9. Inserte el extremo de la línea en el orificio abierto del carrete interior y tire de la línea en forma ajustada a fin de que el lazo sea lo más pequeño posible (Fig. 17).
10. Antes de bobinar, separe la línea alrededor de 6 pulgadas.
11. Bobine la línea en capas parejas y ajustadas en la dirección indicada en el carrete interior.

NOTA: Si no bobina la línea en la dirección indicada, el accesorio de corte no funcionará en forma correcta.

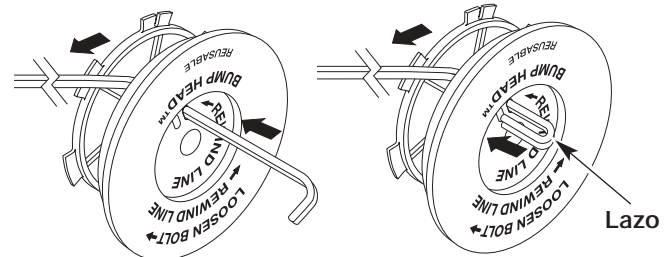


Fig. 17

12. Inserte los extremos de la línea en las dos ranuras de fijación (Fig. 18).
13. Inserte los extremos de la línea a través de los ojillos de la bobina exterior y coloque el carrete interior con el resorte dentro de la bobina exterior (Fig. 19). Empuje el carrete interior y la bobina exterior entre sí. Mientras sostiene el carrete interior y la bobina exterior, tome los extremos y tire con firmeza para soltar la línea de las ranuras de fijación de la bobina.

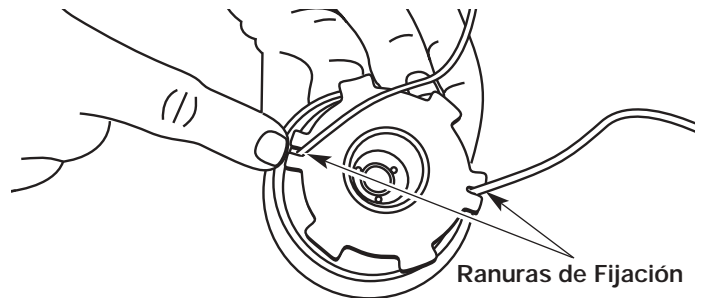


Fig. 18

NOTA: El resorte debe estar ensamblado en el carrete interior antes de volver a ensamblar el accesorio de corte.

14. Sostenga el carrete interior en su lugar e instale el botón de tope girándolo en sentido horario. Ajuste bien.

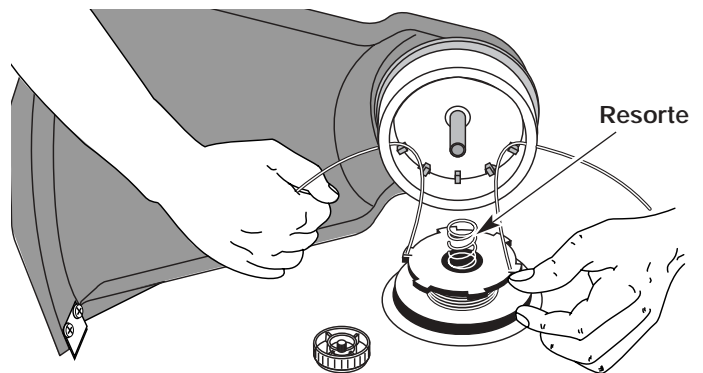


Fig. 19

INSTRUCCIONES DE MANTENIMIENTO Y REPARACION

INSTALACIÓN DE UN CARRETE PREBOBINADO

1. Sostenga la bobina exterior con una mano y desenrosque el botón de tope en sentido antihorario (Fig. 12). Inspeccione el perno dentro del botón de tope para verificar que se mueva con libertad. Cambie el botón de tope si está dañado.
2. Saque el carrete interior viejo de la bobina exterior (Fig. 12).
3. Saque el resorte del carrete interior viejo (Fig. 12).
4. Coloque el resorte en el carrete interior nuevo.

NOTA: El resorte debe estar ensamblado en el carrete interior antes de volver a instalar el accesorio de corte.

5. Inserte los extremos de la línea en los ojalillos de la bobina exterior (Fig. 19).
6. Coloque el nuevo carrete interior dentro de la bobina exterior. Empuje el carrete interior y la bobina exterior entre sí. Mientras sostiene el carrete interior y la bobina exterior, tome los extremos y tire con firmeza para soltar la línea de las ranuras de retención de la bobina.
7. Sostenga el carrete interior en su lugar e instale el botón de tope girándolo en sentido horario. Ajuste bien.

MANTENIMIENTO DEL FILTRO DE AIRE

Limpieza del Filtro de Aire



ADVERTENCIA: Para evitar graves lesiones personales, apague siempre su recortador y espere que se enfríe antes de limpiarlo o realizar todo tipo de mantenimiento.

Limpie y vuelva a aceitar el filtro de aire cada 10 horas de operación. Es una de las partes cuyo mantenimiento es importante. No mantener debidamente su filtro de aire puede resultar en funcionamiento inadecuado o puede causar daño permanente a su motor.

1. Saque la cubierta del filtro de aire/carburador empujando la lengüeta de arriba de la cubierta (Fig. 20).
2. Saque el filtro de aire (Fig. 21).
3. Lave el filtro en detergente y agua. Enjuague el filtro completamente y déjelo que se seque.
4. Aplique suficiente aceite de motor limpio SAE 30 para apenas recubrir el filtro (Fig. 22).
5. Apriete el filtro para desparramar y eliminar el exceso de aceite (Fig. 22).
6. Vuelva a instalar el filtro (Fig. 21) y la cubierta del filtro de aire (Fig. 20).

NOTA: Si la unidad funciona sin el filtro de aire, CANCELARÁ la garantía.

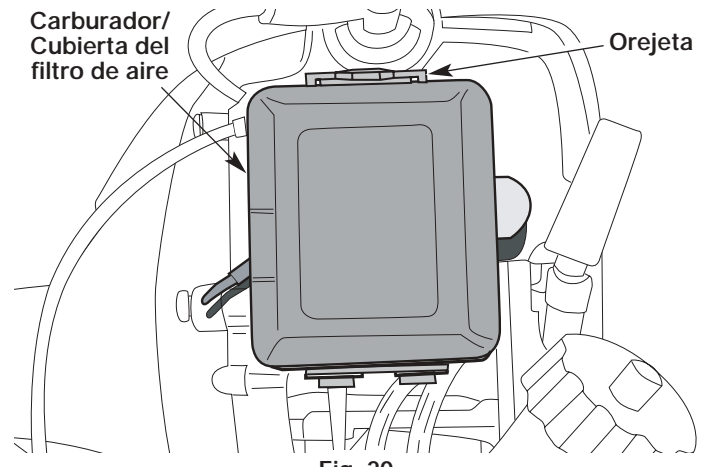


Fig. 20

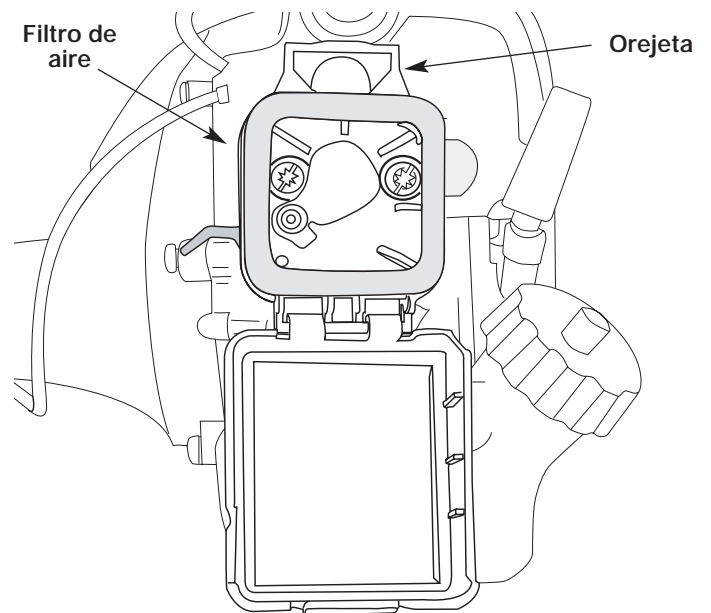


Fig. 21

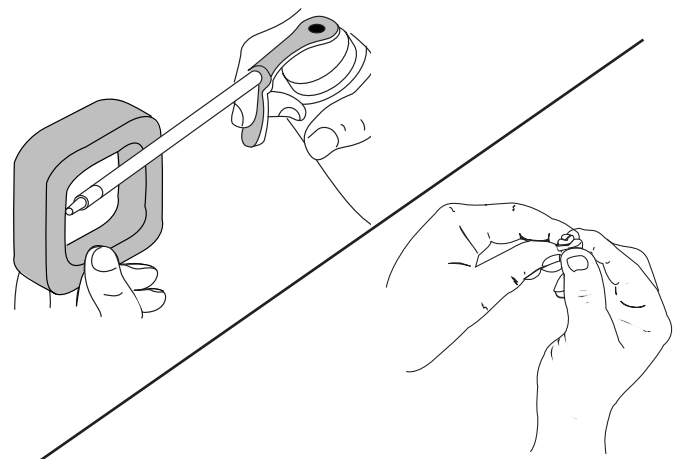


Fig. 22

INSTRUCCIONES DE MANTENIMIENTO Y REPARACION

AJUSTE DEL CARBURADOR

La velocidad lenta del motor puede ser ajustada por la cubierta del silenciador / filtro de aire (Fig. 23).

NOTA: Los ajustes realizados sin cuidado pueden dañar seriamente su unidad. Los ajustes del carburador deben ser realizados por un proveedor de servicio autorizado.

Controle la mezcla del combustible

Una mezcla incorrecta o vieja de combustible es en general el motivo por el cual la unidad no funciona adecuadamente. Drene y vuelva a llenar el tanque con combustible nuevo y bien mezclado antes de hacer ningún ajuste. Consulte la *Información sobre Aceite y Combustible*.

Limpie el filtro de aire

La condición del filtro de aire es importante para la operación de la unidad. Un filtro de aire sucio limitará el flujo de aire y cambiará la mezcla de combustible y aire en el carburador. Esto con frecuencia se confunde con un carburador mal ajustado. Verifique la condición del filtro de aire antes de ajustar el tornillo de marcha lenta. Consulte *Mantenimiento del Filtro de Aire*.

Ajuste del tornillo de marcha lenta

Si luego de verificar la mezcla del combustible y limpiar el filtro de aire el motor aún no funciona en mínima, ajuste el tornillo de velocidad lenta de la siguiente manera.

1. Arranque el motor y déjelo funcionar en marcha lenta durante un minuto para calentarlo. Lea las *Instrucciones de arranque y apagado*.



ADVERTENCIA: El accesorio de corte puede estar girando durante los ajustes del carburador. Use ropa que lo proteja y cumpla con todas las instrucciones de seguridad para prevenir graves lesiones personales.



Fig. 23

2. Suelte el gatillo del regulador y deje que el motor funcione en marcha lenta. Si el motor se para, inserte un pequeño destornillador Phillips o de vástago plano en el orificio de la cubierta del silenciador / filtro de aire (Fig. 23). Gire el tornillo de marcha lenta en sentido horario, de a 1/8 de vuelta por vez (según sea necesario) hasta que el motor funciona en mínima.

NOTA: El accesorio de corte no debe girar mientras el motor está en marcha lenta.

3. Si el accesorio de corte gira cuando el motor está en marcha lenta, gire el tornillo de marcha lenta en sentido antihorario 1/8 de vuelta por vez (según sea necesario) para reducir la marcha en vacío. El control de la mezcla de combustible, la limpieza del filtro de aire y el ajuste del tornillo de marcha en vacío deben resolver la mayoría de los problemas del motor.

De no ser así y si:

- El motor no funciona en mínima
- El motor fluctúa o se para al acelerar
- Existe una pérdida de fuerza motriz


Lleve el carburador a un proveedor de servicio autorizado para que lo ajuste.

INSTRUCCIONES DE MANTENIMIENTO Y REPARACION

CAMBIO DE LA BUJIA DE ENCENDIDO

Use una bujía de encendido Champion RDJ7Y (o similar). La separación correcta es de **0,655 mm (0,025 pulgadas)**. Retire la bujía luego de cada 25 horas de operación e inspeccione su estado.

1. Apague el motor y espere que se enfríe. Tome el alambre de la bujía con firmeza y sáquelo de la bujía de encendido.
2. Limpie alrededor de la bujía de encendido. Saque la bujía de encendido de la cabeza del cilindro girando una llave de casquillo de 5/8 de pulgada en sentido antihorario.
3. Cambie las bujías que estén rajadas, sucias o deterioradas. Fije la separación de aire a 0,655 mm (0,025 pulgadas) utilizando un calibrador (Fig. 24).

	PRECAUCION: No limpie con chorro de arena, ni raspe ni limpie los electrodos. El motor podría dañarse si penetran pequeñas partículas en el cilindro.
---	--

4. Instale una bujía de encendido con la separación correcta en la cabeza del cilindro. Ajuste girando la llave de casquillo de 5/8 pulg. en sentido horario hasta que esté ajustada sin huelgo.

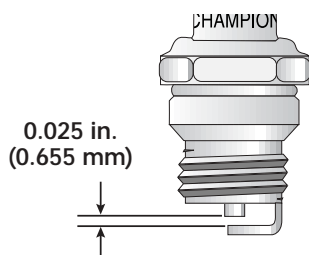


Fig. 24

Si usa una llave de torsión, ajuste a:
12,3-13,5 N•m (110-120 pulg. • libras)
No ajuste demasiado.

LIMPIEZA

	ADVERTENCIA: Para evitar graves lesiones personales, apague siempre su recortador y espere que se enfríe antes de limpiarlo o realizar cualquier tipo de mantenimiento.
---	--

Use un cepillo pequeño para limpiar la parte exterior de la unidad. No use detergentes fuertes. Los limpiadores domésticos que contienen aceites aromáticos como pino y limón, y con solventes como el queroseno pueden dañar el bastidor de plástico y la manija. Seque toda la humedad con un paño suave.

ALMACENAMIENTO

- No guarde nunca la unidad con combustible en el tanque donde los vapores puedan llegar a una llama o chispa.
- Espere que el motor se enfríe antes de guardar la unidad.
- Guarde la unidad bajo llave para prevenir el uso por personas no autorizadas y su daño.
- Guarde la unidad en un área seca y bien ventilada.
- Guarde la unidad fuera del alcance de los niños.

ALMACENAMIENTO PROLONGADO

Si planea guardar la unidad durante un largo período de tiempo, siga el siguiente procedimiento para su almacenamiento.

1. Drene todo el combustible del tanque de combustible en un recipiente que contenga la misma mezcla de combustible de 2 ciclos. No use combustible que haya permanecido guardado durante más de 60 días. Deseche la mezcla vieja de combustible y aceite de acuerdo a las regulaciones federales, estatales y locales.
2. Arranque el motor y déjelo funcionar hasta que se ahogue. Esto asegura que todo el combustible ha sido drenado del carburador.
3. Espere que el motor se enfríe. Retire la bujía de encendido y coloque alrededor de 30 ml (1 onza) de cualquier aceite para motor de 2 ciclos de buena calidad dentro del cilindro. Tire de la cuerda de arranque lentamente para esparcir el aceite. Vuelva a instalar la bujía de encendido.

NOTA: Saque la bujía de encendido y drene todo el aceite del cilindro antes de intentar arrancar el recortador después de su almacenamiento.

4. Limpie bien la unidad e inspeccione para ver si existen partes flojas o dañadas. Repare o cambie las partes dañadas y ajuste los tornillos, tuercas o pernos que puedan estar flojos. La unidad está ahora lista para ser guardada.

TRANSPORTE

- Espere que el motor se enfríe antes de su transporte.
- Drene el combustible de la unidad.
- Ajuste la tapa del combustible antes del transporte.
- Asegure la unidad durante su transporte.

RESOLUCION DE PROBLEMAS

EL MOTOR NO ARRANCA

CAUSA

El tanque de combustible está vacío
La bombilla de cebado no fue oprimida lo suficiente
El motor está inundado
El combustible es viejo o está mal mezclado

La bujía de encendido está arruinada
La temperatura exterior es por debajo de 4° C (40° F)
La temperatura exterior es de más de 32° C (90° F)

ACCIÓN

Llene el tanque con combustible bien mezclado
Oprima la bombilla de cebado total de 10 veces
Use el procedimiento de arranque
Drene el tanque de gasolina / Agregue mezcla de combustible nueva
Cambie o limpie la bujía de encendido
Hale el cordón de arranque hasta un máximo de 10-15 veces
Oprima el control del regulador y hale el cordón de arranque

EL MOTOR NO FUNCIONA EN MINIMA

CAUSA

El filtro de aire está obstruido
El combustible es viejo o está mal mezclado

El carburador no está ajustado en forma correcta

ACCIÓN

Cambie o limpie el filtro de aire
Drene el tanque de gasolina / Agregue mezcla de combustible nueva
Ajuste según las instrucciones

EL MOTOR NO ACELERA

CAUSA

El combustible es viejo o está mal mezclado

El carburador no está ajustado en forma correcta

El accesorio de corte está atascado de hierba
El filtro de aire está sucio

ACCIÓN

Drene el tanque de gasolina / Agregue mezcla de combustible nueva
Lleve la unidad a un proveedor de servicio autorizado para hacer un ajuste de carburador
Pare el motor y limpie el accesorio de corte
Limpie o cambie el filtro de aire

EL MOTOR NO TIENE SUFICIENTE POTENCIA O SE AHOGA AL CORTAR

CAUSA

El combustible es viejo o está mal mezclado

El carburador no está ajustado en forma correcta

La bujía de encendido está arruinada

ACCIÓN

Drene el tanque de gasolina / Agregue mezcla de combustible nueva
Lleve la unidad a un proveedor de servicio autorizado para hacer un ajuste de carburador
Cambie o limpie la bujía de encendido

LA CABEZA DE CORTE NO HACE AVANZAR LINEA

CAUSA

El accesorio de corte está atascado de hierba
El accesorio de corte no tiene línea
El carrete interior está trabado
La cabeza de corte está sucia
La línea se ha soldado
La línea se retorció al reponerla
No hay suficiente línea expuesta

ACCIÓN

Pare el motor y limpie el accesorio de corte
Coloque una línea nueva
Cambie el carrete interior
Limpie el carrete interior y la bobina exterior
Desarme, saque la sección soldada y rebobine la línea
Desarme y rebobine la línea
Oprima el botón de tope y tire de la línea hasta sacar 102 mm (4 pulgadas) de línea fuera del accesorio de corte.

LA LÍNEA DE CORTE AVANZA SIN CONTROL

CAUSA

El cabezal de corte tiene aceite

ACCIÓN

Limpie el aditamento de corte

Si necesita asistencia adicional, comuníquese con su proveedor de servicio autorizado.

ESPECIFICACIONES

MOTOR*

Tipo de motor.....	Enfriado por aire, de 2 ciclos
Carrera	31,75 mm (1,25 pulg.)
Desplazamiento	25 cm ³ (1,4 pulg ³)
Tipo de embrague	Centrifugo
R.P.M. de velocidad mínima	2.400 - 3.600 r.p.m.
R.P.M. de operación (Recortador).....	6.500+ r.p.m.
Tipo de encendido	Electrónico
Interruptor de encendido	Interruptor deslizante
Separación de la bujía de encendido.....	0,655 mm (0,025 pulg.)
Lubricación.....	Mezcla de combustible y aceite
Proporción de combustible - aceite.....	40:1
Carburador	Diafragma, multiposicional
Arranque.....	Rebobinado automático
Silenciador	Desviado con protección
Regulador	Retroceso manual a resorte
Capacidad del tanque de combustible.....	591 ml (20 onzas)

EJE IMPULSOR Y ACCESORIO DE CORTE*

Bastidor del eje impulsor	(EZ-Link) Tubo de aluminio
Control del regulador.....	Gatillo para el dedo
Peso de la unidad (sin combustible, con la manija en D, protector accesorio de corte y accesorio de corte)	4.25 kg (9.5 libras)
Mecanismo de corte	Cabeza de corte con línea doble
Diámetro de la bobina de línea	10,16 cm (4 pulg.)
Diámetro de la línea de corte	2,67 mm (0,105 pulg.)
Diámetro de la trayectoria de corte.....	43,18 cm (17 pulg.)

*Toda las especificaciones contenidas en este manual se basan en la información más reciente disponible en el momento de impresión del manual. Nos reservamos el derecho de hacer cambios en cualquier momento sin aviso previo.

NOTAS

NOTAS

NOTAS

NOTAS

Declaración de Garantía de Control de Emisiones de la EPA / California

Sus Derechos y Obligaciones de la Garantía

La Junta de Recursos del Aire de California, la Agencia de Protección Ambiental y Cub Cadet LLC (Cub Cadet) se complacen en explicar la garantía del sistema de control de emisiones para su pequeño motor para uso fuera de la carretera del 2005 y posterior. Los nuevos motores pequeños para uso fuera de la carretera tienen que diseñarse, construirse y equiparse para cumplir las normas contra smog más estrictas. Cub Cadet tiene que garantizar el sistema de control de emisiones de su pequeño motor para uso fuera de la carretera durante los periodos de tiempo que aparecen a continuación siempre que no haya habido abuso, negligencia o mantenimiento indebido de su motor para uso fuera de la carretera.

Su sistema de control de emisiones puede incluir piezas como el carburador y el sistema de inyección de combustible, el sistema de encendido y el convertidor del catalizador. También se pueden incluir mangueras, correas, conectores y otros conjuntos relacionados con la emisión.

Donde existan las condiciones de garantía, Cub Cadet reparará su pequeño motor para uso fuera de la carretera sin costo alguno para usted incluyendo el diagnóstico, las piezas y la mano de obra.

Los pequeños motores para uso fuera de la carretera del 2005 y posteriores, se garantizan por dos años. Si alguna pieza de su motor relacionada con la emisión está defectuosa, la pieza será reparada o reemplazada por Cub Cadet.

Responsabilidades de Garantía de los Propietarios

Como propietario del pequeño motor para uso fuera de la carretera, usted es responsable de realizar el mantenimiento requerido que aparece en el manual del operador. Cub Cadet recomienda que conserve todos los comprobantes que cubren el mantenimiento de su pequeño motor para uso fuera de la carretera, pero Cub Cadet no puede negar garantía exclusivamente por la falta de comprobantes o por que usted no haya realizado todos los mantenimientos programados.

Como propietario del pequeño motor para uso fuera de la carretera, usted debe conocer que Cub Cadet puede negarle cobertura de garantía si su pequeño motor para uso fuera de la carretera o una pieza ha fallado debido a abuso, negligencia, mantenimiento inadecuado o modificaciones no aprobadas.

Usted es responsable de presentar su pequeño motor para uso fuera de la carretera a un Centro de Servicio Autorizado Cub Cadet tan pronto como exista un problema. Las reparaciones de garantía deben completarse en un periodo de tiempo razonable, el cual no deberá ser mayor de 30 días.

Si tiene alguna pregunta relacionada con los derechos y responsabilidades de la garantía, debe llamar al 1-877-282-8684.

Cobertura de Garantía del Fabricante

El periodo de garantía comienza en la fecha en que el motor o equipo se entrega al comprador minorista.

El fabricante garantiza al propietario original y a cada comprador subsiguiente, que el motor está libre de defectos en cuanto a material y mano de obra que ocasionen la falla de una pieza bajo garantía durante un periodo de dos años.

La reparación o reemplazo de una pieza bajo garantía se llevará a cabo sin cargo alguno para el propietario en un Centro de Servicio Cub Cadet Autorizado. Para conocer el establecimiento más cercano, comuníquese con Cub Cadet llamando al: 1-877-282-8684.

Cualquier pieza bajo garantía que no esté programada para ser reemplazada, según indica el mantenimiento requerido o que esté programada solamente para inspección regular a los efectos de "Repare o Reemplace según sea Necesario" está garantizada durante el periodo de garantía. Cualquier pieza bajo garantía que esté programada para ser reemplazada según indica el mantenimiento requerido tendrá garantía durante el periodo de tiempo hasta el primer punto de reemplazo programado para dicha pieza.

No se le cobrará al propietario la mano de obra de diagnóstico que conlleve a la determinación de que una pieza bajo garantía está defectuosa, si dicho trabajo de diagnóstico se lleva a cabo en un Centro de Servicio Cub Cadet Autorizado.

El fabricante es responsable de los daños ocasionados a otros componentes del motor producidos por la falla de una pieza bajo garantía que todavía esté bajo garantía.

Las fallas ocasionadas por abuso, negligencia o mantenimiento inadecuado no están cubiertas por la garantía.

El uso de accesorios optativos o piezas modificadas puede ser motivo justificado para no aceptar una reclamación de garantía. El fabricante no es responsable de cubrir fallas de piezas bajo garantía ocasionadas por el uso de accesorios optativos o piezas modificadas.

Para presentar una reclamación, vaya a su Centro de Servicio Cub Cadet Autorizado más cercano. Los servicios o reparación por motivo de garantía se realizarán en todos los Centros de Servicio Cub Cadet Autorizados.

Cualquier pieza de reemplazo aprobada por el fabricante puede ser utilizada para llevar a cabo el mantenimiento o la reparación de garantía de piezas relacionadas con la emisión y se realizará sin cargo alguno para el propietario. Cualquier pieza de reemplazo que sea equivalente en rendimiento o durabilidad puede ser utilizada en el mantenimiento o reparación sin garantía y no reducirá las obligaciones de garantía del fabricante.

Los componentes siguientes se incluyen en la garantía relacionada con emisiones del motor, filtro de aire, carburador, cebador, líneas de combustible, toma de combustible, filtro de combustible, módulo de encendido, bujía de encendido y silenciador.

GARANTÍA LIMITADA DEL FABRICANTE PARA:

Cub Cadet

Cub Cadet LLC concede la garantía limitada establecida debajo para mercancías nuevas que sean compradas y usadas en los Estados Unidos, sus posesiones y territorios.

Cub Cadet LLC garantiza este producto contra defectos en el material y la mano de obra durante un período de dos (2) años, a partir de la fecha de compra original y a su entera discreción, arreglará o substituirá sin costo alguno cualquier pieza cuyo material o mano de obra se considere defectuoso. Esta garantía limitada se deberá aplicar únicamente si este producto ha sido manejado y mantenido de acuerdo al Manual del Operario incluido con el producto y, si no ha sido sometido a mal uso, abuso, uso comercial, negligencia, accidente, mantenimiento inapropiado, alteración, vandalismo, hurto, fuego, agua o daños debidos a otros riesgos o desastre natural. Los daños ocasionados por la instalación o el uso de cualquier accesorio o aditamento que no esté aprobado por Cub Cadet y que sea usado con el (los) producto(s) contemplados en este manual, anularán la garantía con respecto a cualquier daño resultante. Esta garantía está limitada a noventa (90) días a partir de la fecha de compra original al detalle de cualquier producto Cub Cadet que se use para alquiler, para propósitos comerciales o cualquier otro propósito que genere ingresos.

CÓMO OBTENER SERVICIO: El servicio de garantía está disponible A TRAVÉS DE SU DISTRIBUIDOR DE SERVICIO LOCAL AUTORIZADO, AL PRESENTAR EL COMPROBANTE DE COMPRA. Para localizar al distribuidor en su área, visite nuestro sitio en Internet en www.cubcadet.com, busque el aviso clasificado en las Páginas Amarillas, llame al **1-877-282-8684** o escriba a Cub Cadet LLC, PO Box 361131, Cleveland, OH 44136-0019.

Esta garantía limitada no ofrece cobertura en los siguientes casos:

- A. Sincronizaciones - bujías, ajustes de carburadores, filtros.
- B. Artículos de desgaste, perillas percusivas, carretes externos, línea de corte, carretes internos, polea de arranque, cuerdas de arranque, correas motoras.
- C. Cub Cadet no le ofrece ninguna garantía a los productos que sean vendidos o exportados fuera de los Estados Unidos de América, sus posesiones y territorios, excepto aquellos que se vendan a través de los canales de distribución para exportación autorizados por Cub Cadet.

Cub Cadet se reserva el derecho a cambiar o mejorar el diseño de cualquier producto Cub Cadet, sin adoptar ninguna obligación para modificar cualquier producto fabricado con anterioridad.

Ninguna garantía implícita es aplicable después del período de aplicabilidad de la garantía expresa escrita con anterioridad, incluyendo cualquier garantía implícita de comerciabilidad o idoneidad para un propósito particular con respecto a las piezas identificadas. Exceptuando lo mencionado anteriormente, ninguna otra garantía expresa bien sea escrita o verbal con respecto a cualquier producto que sea concedida por cualquier persona o entidad, incluyendo al distribuidor o minorista, deberá comprometer a Cub Cadet LLC durante el período de la Garantía, el remedio exclusivo es el arreglo o la sustitución del producto según lo establecido anteriormente. (Algunos estados no permiten limitaciones en cuanto al período de duración de una garantía implícita, de manera que puede que la limitación anterior no sea aplicable en su caso.)

Las estipulaciones establecidas en esta Garantía ofrecen la solución única y exclusiva que resulte de las ventas. Cub Cadet no deberá ser responsable de pérdidas o daños incidentales o consecuentes que incluyan, sin limitación, gastos incurridos debido a la sustitución de servicios de mantenimiento de prados, transporte o gastos relacionados, o gastos de alquiler para reemplazar temporalmente un producto bajo garantía. (Algunos estados no permiten limitaciones en cuanto al período de duración de una garantía implícita, de manera que puede que la limitación anterior no sea aplicable en su caso.)

Ningún tipo de recuperación deberá ser superior al precio de compra del producto vendido, en ningún caso. La alteración de las características de seguridad del producto deberá anular esta Garantía. Usted adopta el riesgo y la obligación de la pérdida, daño o lesión en su persona o a su propiedad y/o la de otras personas y sus propiedades, que se origine a raíz del uso o mal uso, o la incompetencia para usar el producto.

Esta garantía limitada no deberá cubrir a ninguna otra persona distinta al comprador original, arrendatario original, o la persona para la cual se compró en calidad de regalo.

Relación de las leyes estatales con esta Garantía: Esta garantía le confiere derechos legales específicos, y puede que usted también tenga otros derechos, los cuales varían en cada estado.

Para localizar al distribuidor de servicio local más cercano, marque el número **1-877-282-8684**.

Cub Cadet LLC

PO Box 361131

Cleveland, OH 44136-0019

Free Manuals Download Website

<http://myh66.com>

<http://usermanuals.us>

<http://www.somanuals.com>

<http://www.4manuals.cc>

<http://www.manual-lib.com>

<http://www.404manual.com>

<http://www.luxmanual.com>

<http://aubethermostatmanual.com>

Golf course search by state

<http://golfingnear.com>

Email search by domain

<http://emailbydomain.com>

Auto manuals search

<http://auto.somanuals.com>

TV manuals search

<http://tv.somanuals.com>