

# **YARD MACHINES**

by **MTD**

## Operator's Manual



**LT31, LT31C**  
**2-Cycle Petrol**  
**Trimmers**

**LT31CS**  
**Trimmer /**  
**Brushcutter**



**IMPORTANT:** Read safety rules and instructions carefully before operating equipment.

PRINTED IN U.S.A.  
PART NO. 769-01389

(12/04)

# INTRODUCTION

## THANK YOU

Thank you for buying this quality product. This modern outdoor power tool will provide many hours of useful service. You will find it to be a great labor-saving device. This operator's manual provides you with easy-to-understand operating instructions. Read the whole manual and follow all the instructions to keep your new outdoor power tool in top operating condition.

## PRODUCT REFERENCES, ILLUSTRATIONS AND SPECIFICATIONS

All information, illustrations, and specifications in this manual are based on the latest product information available at the time of printing. We reserve the right to make changes at any time without notice.

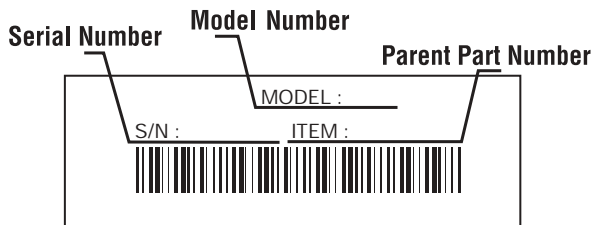
Copyright© 2004 MTD SOUTHWEST INC, All Rights Reserved.

## SERVICE INFORMATION

Service on this unit both within and after the warranty period should be performed only by an authorized and approved service dealer.

**DO NOT RETURN THE UNIT TO THE RETAILER. PROOF OF PURCHASE WILL BE REQUIRED FOR WARRANTY SERVICE.**

Before beginning, locate the unit's model plate. It lists the model and serial numbers of your unit. Refer to the sample plate below and copy the information for future reference.



## TABLE OF CONTENTS

Service Information .....	2
Rules for Safe Operation .....	3
Know Your Unit .....	7
Assembly Instructions .....	10
Oil and Petrol Information .....	15
Starting/Stopping Instructions .....	16
Operating Instructions .....	17
Maintenance and Repair Instructions .....	19
Troubleshooting Chart .....	30
Specifications .....	31

Copy the model and parent part number here: \_\_\_\_\_

Copy the serial number here: \_\_\_\_\_

*Make sure you carefully read and understand this manual before starting or operating this equipment.*

THIS PRODUCT IS COVERED BY ONE OR MORE U.S. PATENTS. OTHER PATENTS PENDING.

# RULES FOR SAFE OPERATION

The purpose of safety symbols is to attract your attention to possible dangers. The safety symbols, and their explanations, deserve your careful attention and understanding. The safety warnings do not by themselves eliminate any danger. The instructions or warnings they give are not substitutes for proper accident prevention measures.

SYMBOL	MEANING
--------	---------



**SAFETY ALERT:** Indicates danger, warning or caution. Attention is required in order to avoid serious personal injury. May be used in conjunction with other symbols or pictographs.

**NOTE:** Advises you of information or instructions vital to the operation or maintenance of the equipment.

**Read the Operator's Manual(s) and follow all warnings and safety instructions.**

**Failure to do so can result in serious injury to the operator and/or bystanders.**

SYMBOL	MEANING
--------	---------



**DANGER:** Failure to obey a safety warning will result in serious injury to yourself or to others. Always follow the safety precautions to reduce the risk of fire, electric shock and personal injury.



**WARNING:** Failure to obey a safety warning can result in injury to yourself and others. Always follow the safety precautions to reduce the risk of fire, electric shock and personal injury.



**CAUTION:** Failure to obey a safety warning may result in property damage or personal injury to yourself or to others. Always follow the safety precautions to reduce the risk of fire, electric shock and personal injury.

## • IMPORTANT SAFETY INSTRUCTIONS •

### READ ALL INSTRUCTIONS

#### BEFORE OPERATING



**WARNING:** When using the unit, you must follow the safety rules. Please read these instructions before operating the unit in order to ensure the safety of the operator and any bystanders. Please keep these instructions for later use.

- Read the instructions carefully. Be familiar with the controls and proper use of the unit.
- Do not operate this unit when tired, ill, or under the influence of alcohol, drugs, or medication.
- Children and teens under the age of 15 must not use the unit, except for teens guided by an adult.
- All guards and safety attachments must be installed properly before operating the unit.
- Inspect the unit before use. Replace damaged parts. Check for petrol leaks. Make sure all fasteners are in place and secure. Replace parts that are cracked, chipped, or damaged in any way. Do not operate the unit with loose or damaged parts.
- Carefully inspect the area before starting the unit. Remove all debris and hard or sharp objects such as glass, wire, etc.
- Be aware of the risk of injury to the head, hands and feet.

- Clear the area of children, bystanders, and pets. At a minimum, keep all children, bystanders, and pets outside a 15 m (50 foot) radius; there still may be a risk to bystanders from thrown objects. Bystanders should be encouraged to wear eye protection. If you are approached, stop the unit immediately.
- Use only 2.41mm, 0.095 inch (for the brushcutter *LT31CS*), or 2.03 mm, 0.080 inch (for trimmers *LT31 & LT31C*), diameter original equipment manufacturer replacement line. Never use metal-reinforced line, wire or rope. These can break off and become dangerous projectiles.
- Squeeze the throttle control and check that it returns automatically to the idle position. Make all adjustments or repairs before using unit.
- **Trimmer models LT31 & LT31C only:** These units was not designed to be used as a brushcutter. Do not attach or operate these units with any type of brushcutting blade or brushcutting attachment.

#### SAFETY WARNINGS FOR PETROL UNITS



**WARNING:** Petrol is highly flammable, and its vapors can explode if ignited. Take the following precautions:

- Store petrol only in containers specifically designed and approved for the storage of such materials.
- Avoid creating a source of ignition for spilled petrol. Do not start the engine until petrol vapors dissipate.

# RULES FOR SAFE OPERATION

- Always stop the engine and allow it to cool before filling the fuel tank. Never remove the fuel tank cap or add fuel when the engine is hot. Never operate the unit without the fuel cap securely in place. Loosen the fuel tank cap slowly to relieve any pressure in the tank.
- Add fuel in a clean, well-ventilated outdoor area where there are no sparks or flames. Remove the fuel cap slowly, and only after the engine stops. Do not smoke while fueling or mixing fuel. Wipe up any spilled fuel from the unit immediately.
- Avoid creating a source of ignition for spilled fuel. Do not start the engine until fuel vapors dissipate.
- Move the unit at least 9.1 m (30 feet) from the fueling source and site before starting the engine. Do not smoke. Keep sparks and open flames away from the area while adding fuel or operating the unit.

## WHILE OPERATING

- Never start or run the unit inside a closed room or building. Breathing exhaust fumes can be fatal. Operate this unit only in a well-ventilated outdoor area.
- Wear safety glasses or goggles that meet ANSI Z87.1 standards and are marked as such. Wear ear/hearing protection when operating this unit. Wear a face or dust mask if the operation is dusty.
- Wear heavy long pants, boots, gloves and a long sleeve shirt. Do not wear loose clothing, jewelry, short pants, sandals or go barefoot. Secure hair above shoulder level.
- The cutting attachment shield must always be in place while operating the unit as a trimmer. Do not operate unit without both trimming lines extended, and the proper line installed. Do not extend the trimming line beyond the length of the shield.
- CLUTCH:  
LT31: This unit does not have a clutch. The cutting attachment continues rotating when the engine is idling. If it does not, have the unit adjusted by an authorized service technician.  
LT31C & LT31CS: These units have a clutch. The cutting attachment remains stationary when the engine is idling. If it does not, have the unit adjusted by an authorized service technician.
- Adjust the handle to your size in order to provide the best grip.
- Be sure the cutting attachment is not in contact with anything before starting the unit.
- Use the unit only in daylight or good artificial light.
- Avoid accidental starting. Be in the starting position whenever pulling the starter rope. The operator and unit must be in a stable position while starting. Refer to *Starting/Stopping Instructions*.
- Use the right tool. Only use this tool for its intended purpose.
- Do not overreach. Always keep proper footing and balance.
- Always hold the unit with both hands when operating. Keep a firm grip on both handles or grips.
- Keep hands, face, and feet at a distance from all moving parts. Do not touch or try to stop the cutting attachment when it rotates.
- Do not touch the engine, gear housing or muffler. These parts get extremely hot from operation, even after the unit is turned off.
- Do not operate the engine faster than the speed needed to cut, trim or edge. Do not run the engine at high speed when not cutting.
- Always stop the engine when cutting is delayed or when walking from one cutting location to another.
- If you strike or become entangled with a foreign object, stop the engine immediately and check for damage. Do not operate before repairing damage. Do not operate the unit with loose or damaged parts.
- Stop the unit, switch the engine to off, and disconnect the spark plug for maintenance or repair.
- Use only original equipment manufacturer replacement parts and accessories for this unit. These are available from your authorized service dealer. Use of any unauthorized parts or accessories could lead to serious injury to the user, or damage to the unit, and void your warranty.
- Keep unit clean of vegetation and other materials. They may become lodged between the cutting attachment and shield.
- To reduce fire hazard, replace a faulty muffler and spark arrestor. Keep the engine and muffler free from grass, leaves, excessive grease or carbon build up.

## BRUSHCUTTER LT31CS ONLY: WHILE OPERATING WITH CUTTING BLADE

- Read and understand all safety warnings before operating this unit.
- Always use the shoulder harness when using the brush blade accessory.
- Keep the J-handle between the operator and cutting attachment or blade at all times.
- NEVER cut when the cutting blade is 76 cm (30 inches) or more above the ground level.
- Blade thrust may occur when the spinning blade contacts an object that it does not immediately cut. Blade thrust can be violent enough to propel the unit and/or operator in any direction, possibly causing a loss of control. Blade thrust can occur without warning if the blade snags, stalls or binds. This is more likely to occur in areas where it is difficult to see the material being cut.
- For operation with the brush blade, do not cut anything thicker than 1/2 inch or a violent kickback could occur.

# RULES FOR SAFE OPERATION

- Do not attempt to touch or stop the blade when it is rotating.
- A coasting blade can cause injury while it continues to spin after the engine is stopped or the throttle trigger is released. Maintain proper control until the blade has completely stopped rotating.
- Do not run the unit at high speed when not cutting.
- If you strike or become entangled with a foreign object, stop the engine immediately and check for damage. Have any damage repaired before attempting further operations. Do not operate unit with a bent, cracked or dull blade. Discard blades that are bent, warped, cracked or broken.
- Do not sharpen the cutting blade. Sharpening the blade can cause the blade tip to break off while in use. This can result in severe personal injury. Replace the blade.
- Do not use the cutting blade for edging or as an edger; severe personal injury to yourself or others may incur. Use the cutting blade only for the purpose described in this manual.
- Stop the engine IMMEDIATELY if you feel excessive vibration. Vibration is a sign of trouble. Inspect thoroughly for loose nuts, bolts or damage before continuing. Repair or replace affected parts as necessary.

## After Use

- Clean cutting blades with a household cleaner to remove any gum buildup. Oil the blade with machine oil to prevent rust.
- Lock up and store the cutting blade in an appropriate area to protect the blade from unauthorized use or damage.

## OTHER SAFETY WARNINGS

- Never store a fueled unit inside a building where fumes may reach an open flame or spark.
- Allow the engine to cool before storing or transporting. Be sure to secure the unit while transporting.
- Store the unit in a dry area, locked up or up high to prevent unauthorized use or damage, out of the reach of children.
- Never douse or squirt the unit with water or any other liquid. Keep handles dry, clean and free from debris. Clean after each use, see *Cleaning and Storage* instructions.
- Keep these instructions. Refer to them often and use them to instruct other users. If you loan someone this unit, also loan them these instructions.

**SAVE THESE  
INSTRUCTIONS**

# RULES FOR SAFE OPERATION

## SAFETY AND INTERNATIONAL SYMBOLS

This operator's manual describes safety and international symbols and pictographs that may appear on this product. Read the operator's manual for complete safety, assembly, operating and maintenance and repair information.

### SYMBOL

### MEANING



- **SAFETY ALERT SYMBOL**  
Indicates danger, warning, or caution. May be used in conjunction with other symbols or pictographs.



- **WARNING - READ OPERATOR'S MANUAL**  
Read the Operator's Manual(s) and follow all warnings and safety instructions. Failure to do so can result in serious injury to the operator and/or bystanders.



- **WEAR EYE AND HEARING PROTECTION**  
**WARNING:** Thrown objects and loud noise can cause severe eye injury and hearing loss. Wear eye protection meeting ANSI Z87.1-1989 standards and ear protection when operating this unit. Use a full face shield when needed.



- **KEEP BYSTANDERS AWAY**  
**WARNING:** Keep all bystanders, especially children and pets, at least 50 feet (15 m) from the operating area.



- **PRIMER**  
Push primer bulb, fully and slowly, 10 times.



- **UNLEADED PETROL**  
Always use clean, fresh unleaded petrol.



- **OIL**  
Refer to operator's manual for the proper type of oil.



- **THROWN OBJECTS CAN CAUSE SEVERE INJURY**  
**WARNING:** Keep clear of blower outlet. Never point the blower at yourself or others. Objects can be thrown from blower. Do not operate unit without proper attachments and guards in place.

### SYMBOL

### MEANING



- **WEAR HEAD PROTECTION**  
**WARNING:** Falling objects can cause severe head injury. Wear head protection when operating this unit.



- **ON/OFF STOP CONTROL**  
ON / START / RUN



- **ON/OFF STOP CONTROL**  
OFF or STOP



- **HOT SURFACE WARNING**  
Do not touch a hot muffler or cylinder. You may get burned. These parts get extremely hot from operation. They remain hot for a short time even after the unit is turned off.



- **SHARP BLADE**  
**WARNING:** Sharp blade on cutting head guard. To prevent serious injury, do not touch line cutting blade.



- **LT31CS ONLY: Brushcutters Replace dull blade**  
Do not sharpen the cutting blade. Sharpening the blade can cause the blade tip to break off while in use. This can result in severe personal injury.



- **CHOKE CONTROL**  
1. FULL choke position.  
2. PARTIAL choke position.  
3. RUN position.



- **LT31CS ONLY: TRIMMER/ BRUSHCUTTER SAFETY**  
**WARNING:** Thrown objects and rotating cutter can cause severe injury. Keep bystanders, especially children and pets, at least 15 meters (50 ft.) away from the cutting area. The cutting head guard must be used when using the trimmer cutting head.

# KNOW YOUR UNIT

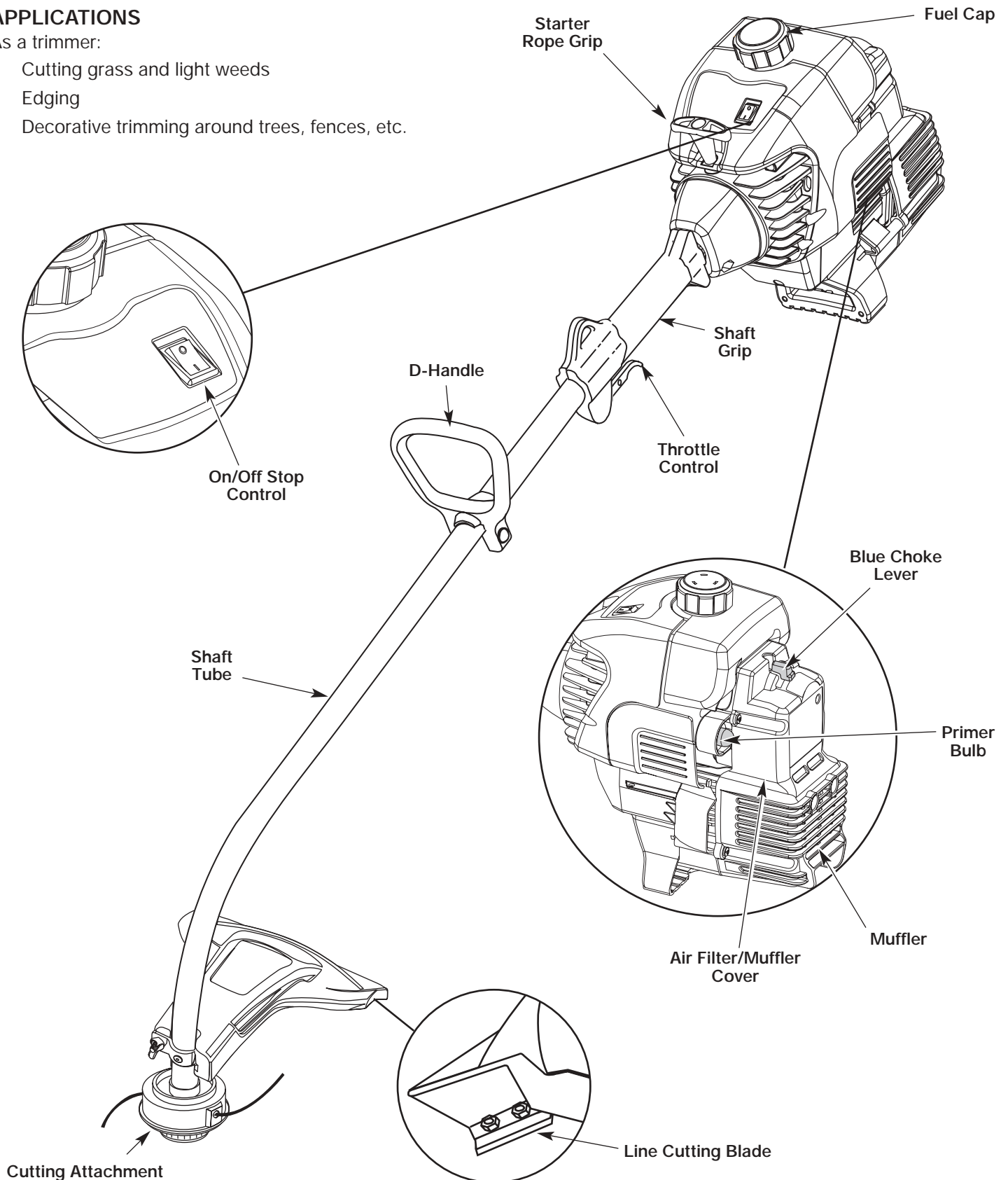
## Trimmer Model LT31

Take the time to identify the configuration of your unit, which is either a LT31, LT31C or LT31CS. Use this page, and the two that follow, to identify which unit is yours, then familiarize yourself with it.

### APPLICATIONS

As a trimmer:

- Cutting grass and light weeds
- Edging
- Decorative trimming around trees, fences, etc.



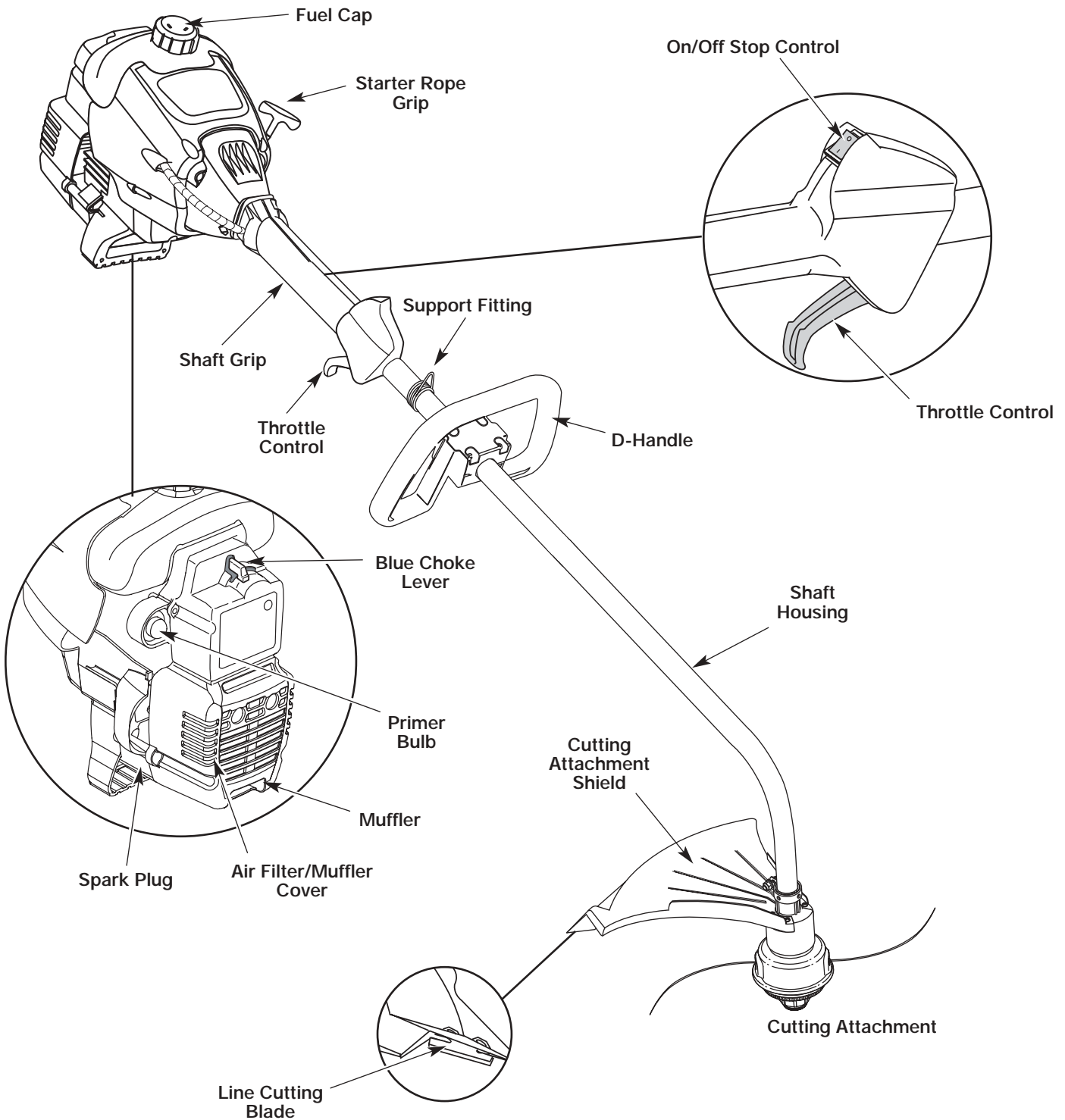
# KNOW YOUR UNIT

## Trimmer Model LT31C

### APPLICATIONS

As a trimmer:

- Cutting grass and light weeds
- Edging
- Decorative trimming around trees, fences, etc.





# KNOW YOUR UNIT

## Brushcutter Model LT31CS

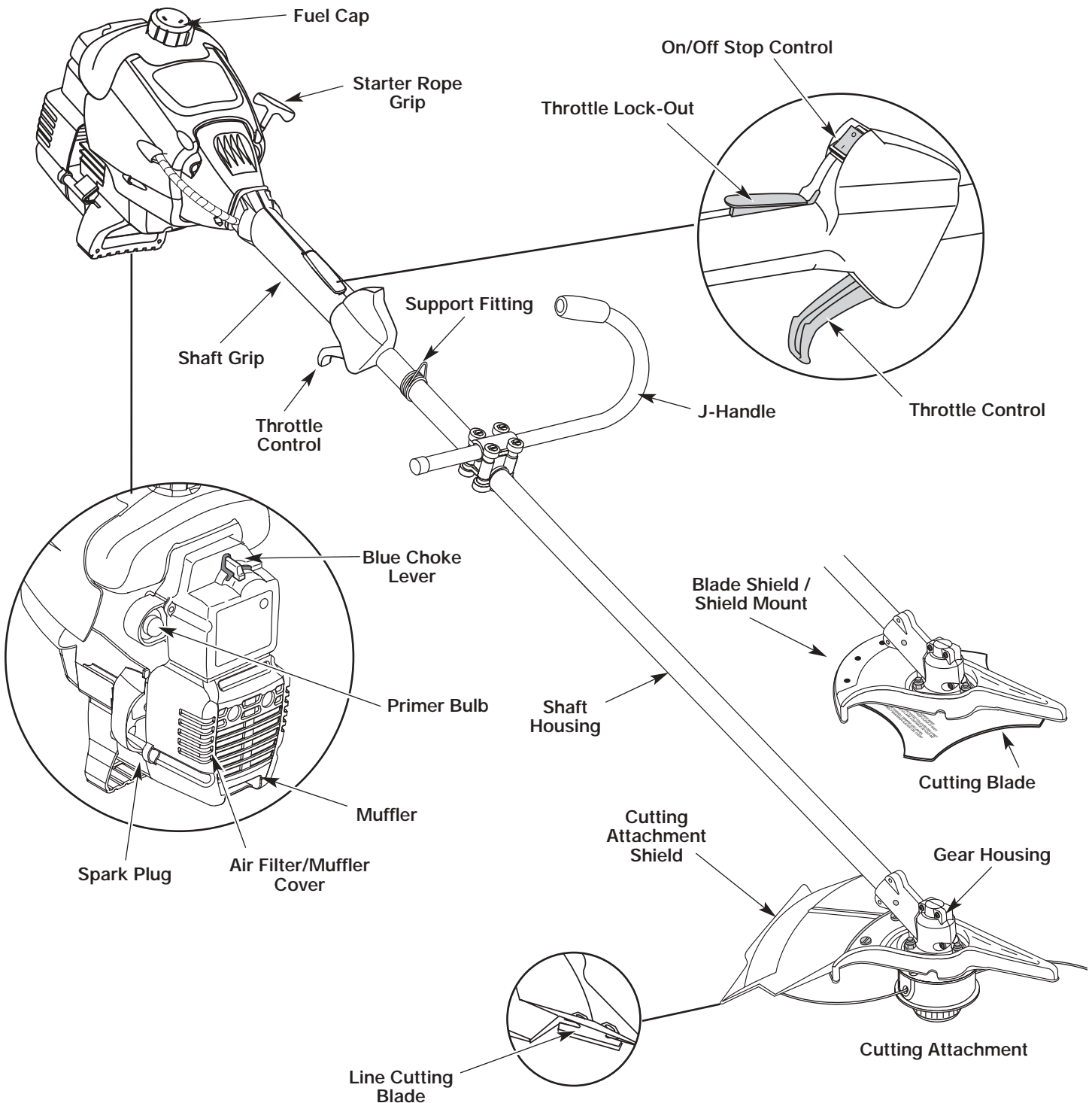
### APPLICATIONS

As a trimmer:

- Cutting grass and light weeds
- Edging
- Decorative trimming around trees, fences, etc.

As a brushcutter:

- Cutting weeds and light bush of up to 1/2 inch in diameter



# ASSEMBLY INSTRUCTIONS

## INSTALL AND ADJUST THE HANDLE

Use the following information to install or adjust the handle onto your trimmer. Follow the instructions that apply to your type of handle.

### LT31: Small D-handle

1. Push the D-handle down onto the shaft housing so that the handle slants towards the shaft grip (Fig. 1). The squared bolt hole in the handle is to the right.
2. Insert the shoulder bolt into the squared hole in the handle and push through. On the left side of the handle, place the washer on the bolt, then screw the wing nut onto the bolt. Do not tighten until you make the handle adjustment.
3. Rotate the D-handle to place the grip above the top of the shaft housing. Place it a minimum of 15.24 cm (6 inches) from the end of the shaft grip.

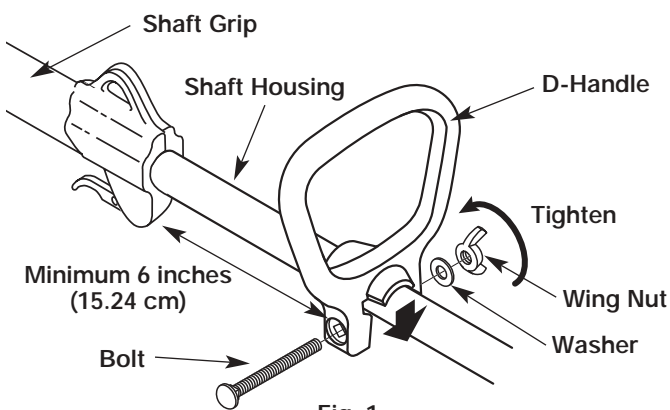


Fig. 1

4. While holding the unit in the operating position (Fig. 27), position the D-handle to the location that provides you the best grip.
5. Tighten the wing nut until the D-handle is secure.

### LT31C: Large D-handle

1. Remove the screws and bottom clamp piece that were installed on the D-handle for shipping.
2. Place D-handle over the shaft housing and onto the bottom clamp (Fig. 2). Place it a minimum of 15.24 cm (6 inches) from the end of the shaft grip.

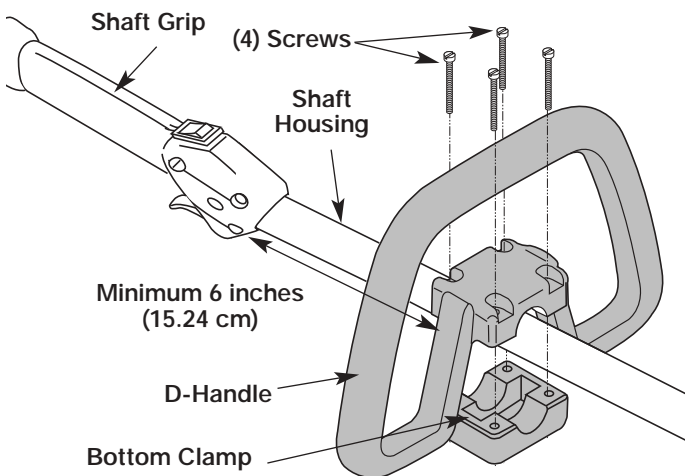


Fig. 2

3. Start screws with a large Flat-head or T-25 Torx screwdriver. Do not tighten until you make the handle adjustment.
4. If the D-handle was pre-installed, loosen the screws on the handle just enough to move it.
5. While holding the unit in the operating position (Fig. 27), maneuver the D-handle to the location that provides you the best grip.
6. Tighten the clamp screws evenly, until the D-handle is secure.

### LT31CS: J-handle

1. Place the J-handle between the top and middle clamp pieces (Fig. 3).

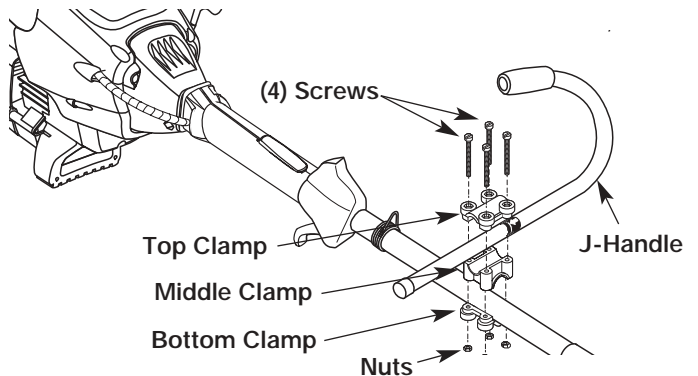


Fig. 3

2. While holding the three pieces together, install the four (4) screws through the top clamp and into middle clamp.

**NOTE:** The holes in the top and middle clamp will line up only when assembled correctly.

3. Place the clamps and the J-handle over the shaft housing and onto the bottom clamp.
4. Hold each hex nut in the bottom clamp recess with a finger. Start screws with a large Phillips screwdriver. Do not tighten until you make the handle adjustment.
5. Slide the J-handle in or out until the arrow/white line on the decal touches the clamp assembly (Fig. 4). You must first loosen the screws if the handle is pre-installed.

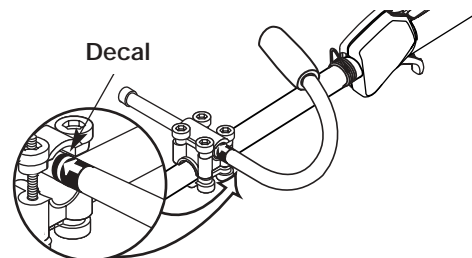


Fig. 4

6. While holding the unit in the operating position (Fig. 27), position the J-handle to the location that provides you the best grip.
7. Tighten the clamp screws evenly, until the J-handle is secure.

# ASSEMBLY INSTRUCTIONS

## INSTALL CUTTING ATTACHMENT SHIELD

Use the following instructions if the cutting attachment shield on your unit is not installed. Use only the instructions that apply to the type of shaft and shield that your unit is equipped with.



**WARNING:** To prevent serious personal injury, never operate the trimmer without the cutting attachment shield in place.

### LT31

1. Place the cutting attachment shield onto the shaft housing. Be sure the guard mounting bracket slides into the slot on the edge of the cutting shield. Rotate the shield into place, counterclockwise. The holes in the guard mounting bracket and cutting attachment shield will line up (Fig. 5).

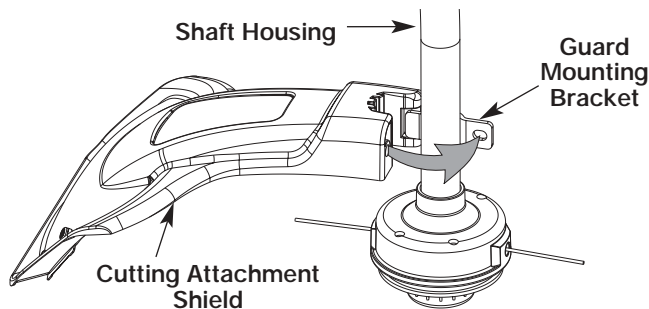


Fig. 5

2. From inside the cutting attachment shield, push the square bolt through the hole until the threaded end protrudes through the guard mounting bracket (Fig. 6).

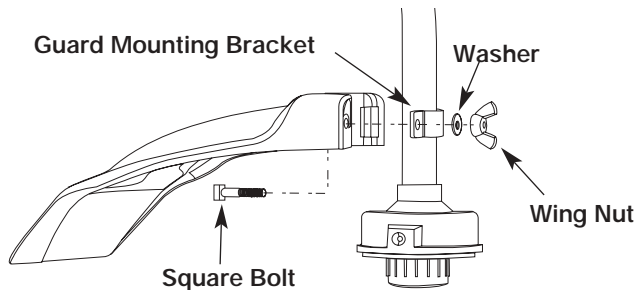
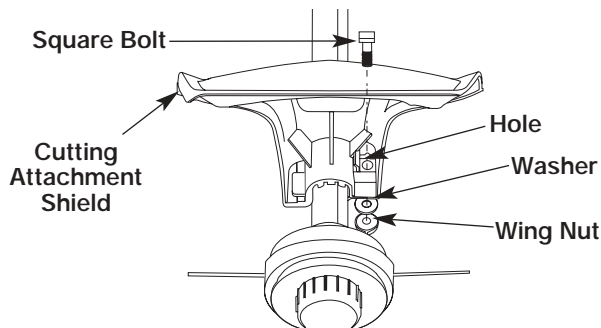


Fig. 6

3. Put the washer on the bolt, then screw the wing nut onto the bolt and tighten. Figure 7 shows the installation process from underneath the unit.



Cutting Attachment and Shield: Underside View

Fig. 7

### LT31C

1. Place the cutting attachment shield onto the shaft housing above the clamp assembly (Fig. 8).
2. Push the cutting attachment shield down to the top of the cutting attachment assembly and then rotate the cutting attachment shield until the screw holes align and the guard fits into the recessed pocket (Fig. 9).
3. Install the four (4) screws with a Phillips screwdriver (Fig. 10).

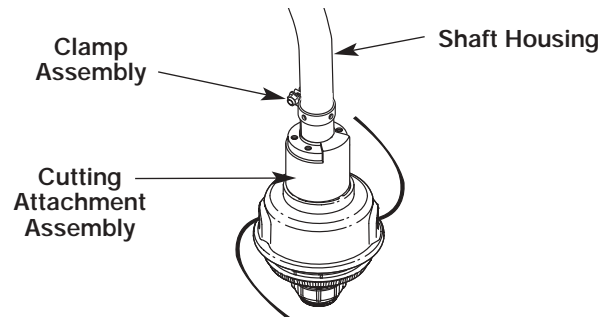


Fig. 8

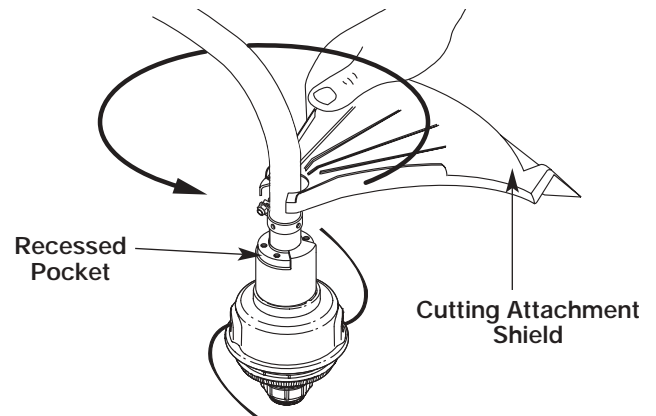


Fig. 9

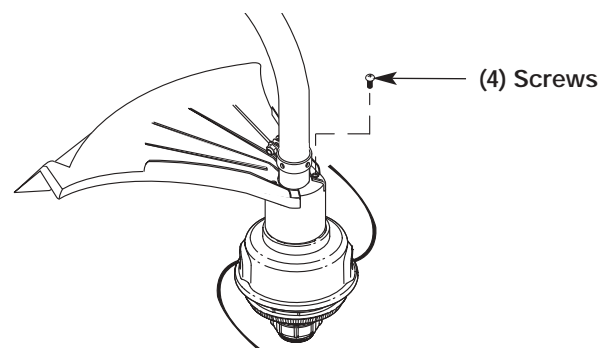


Fig. 10

# BRUSHCUTTER ASSEMBLY INSTRUCTIONS

## LT31CS ONLY: INSTALL THE HARNESS



**WARNING:** Always use the shoulder harness when using the cutting blade to avoid serious personal injury.

1. Push the strap through the center of the buckle.
2. Pull the strap over the cross bar and down through the slot in the buckle (Fig. 11).
3. Put the harness on over head and onto shoulder. Snap it on to the support fitting (Fig. 12).
4. Adjust length to fit the operator's size. Pull tab to lengthen, pull strap to shorten (Fig 13).

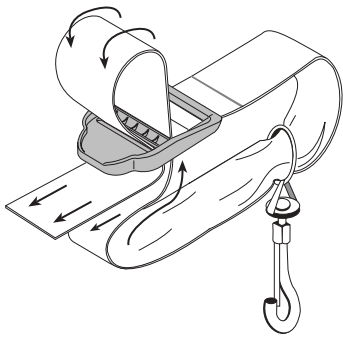


Fig. 11

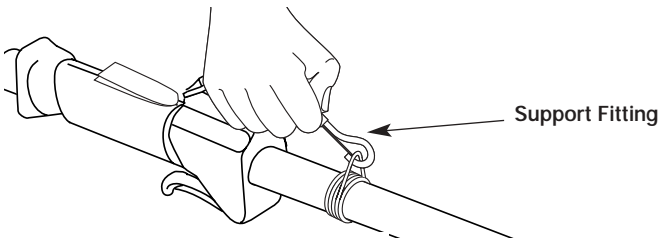


Fig. 12

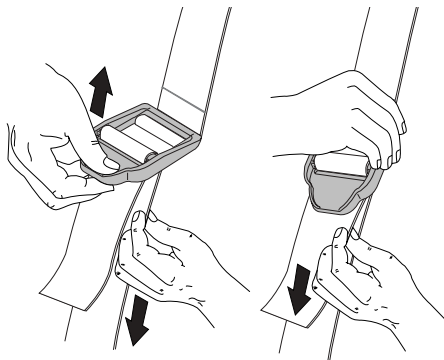


Fig. 13

## LT31CS ONLY: REMOVE AND INSTALL THE CUTTING ATTACHMENT SHIELD



**WARNING:** The cutting attachment shield should NOT be installed when operating the unit with a blade. Remove the cutting attachment shield before removing or installing the blade.

### Remove the cutting attachment shield when using the unit as a brushcutter

Remove the cutting attachment shield from the shield mount by removing the three (3) screws with a flat blade screwdriver (Fig. 14). Store parts for future use.

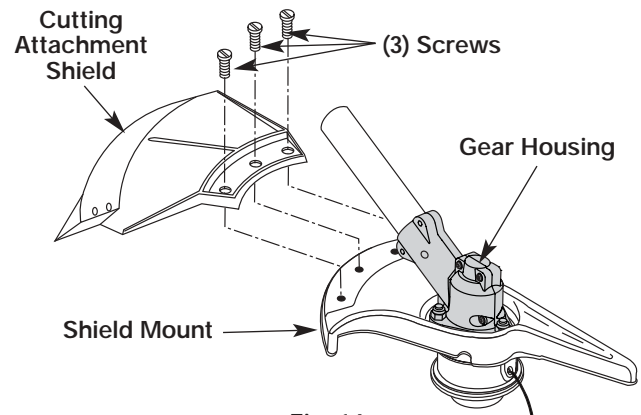


Fig. 14

### Install the cutting attachment shield when using the unit as a grass trimmer



**WARNING:** To avoid serious personal injury, the cutting attachment shield MUST be in place at all times while operating the unit as a grass trimmer.

Install the cutting attachment shield on the shield mount by inserting the three (3) screws into the shield mount. Tighten securely with a flat blade screwdriver (Fig. 14).

## LT31CS ONLY: REMOVE THE CUTTING ATTACHMENT AND INSTALL THE CUTTING BLADE

**NOTE:** To make cutting blade removal and installation easier, place the unit on the ground or on a work bench.



**WARNING:** The gear housing gets hot with use. It can result in injury to the operator. The housing remains hot for a short time even after the unit is turned off. Do not touch the gear housing until it has cooled.

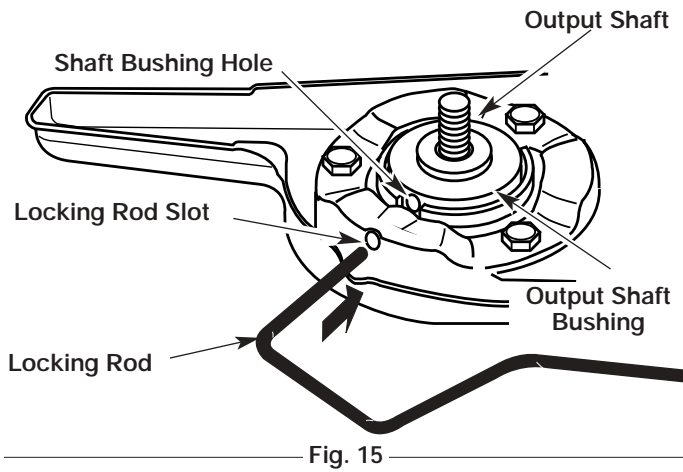
### Remove the Cutting Attachment Shield

See *Remove and Install the Cutting Attachment Shield*.

# BRUSHCUTTER ASSEMBLY INSTRUCTIONS

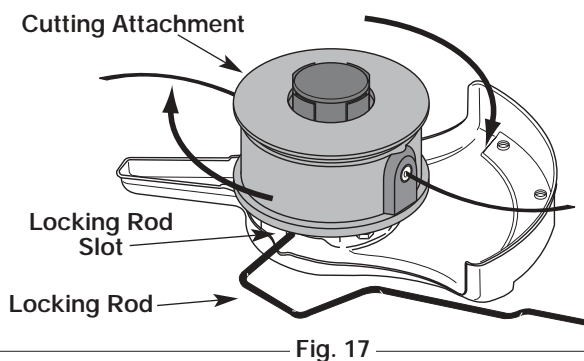
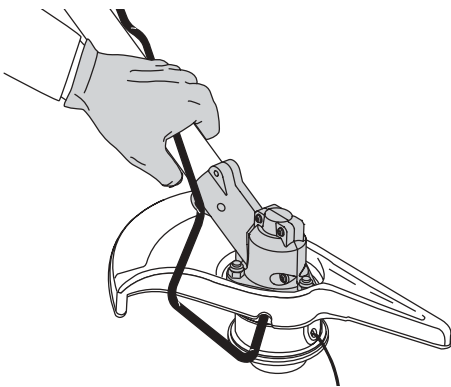
## Remove the Cutting Attachment

1. Align the shaft bushing hole with the locking rod slot and insert the locking rod into the shaft bushing hole (Fig. 15).



2. Hold the locking rod in place by grasping it next to the boom of the unit (Fig. 16).
3. While holding the locking rod, remove the cutting attachment by turning it clockwise off of the output shaft (Fig. 17). Store the cutting attachment for future use.

**NOTE:** The blade retainer under the cutting attachment will be used when installing the cutting blade.

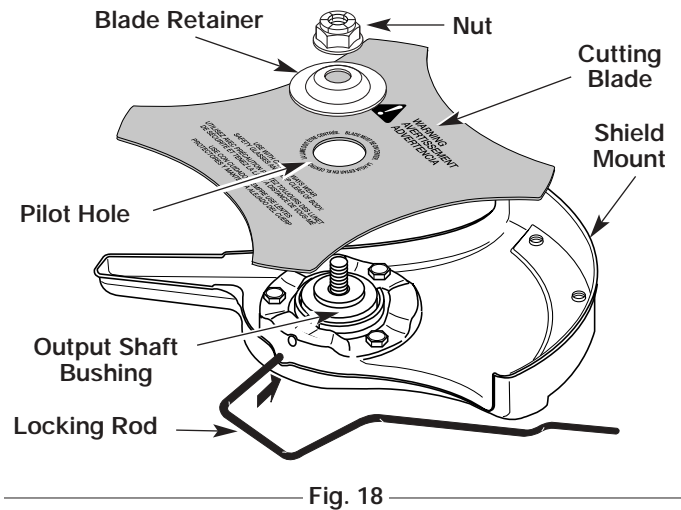


## Install the Cutting Blade



**WARNING:** To avoid serious personal injury, always wear gloves while handling or installing the blade.

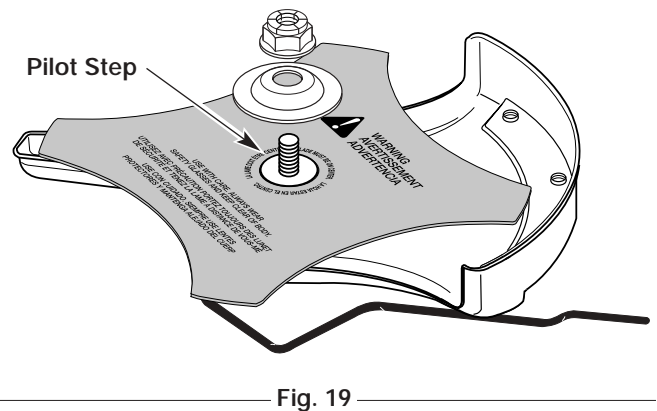
4. Place the cutting blade on the output shaft bushing (Fig. 18).



5. Make sure that the cutting blade is centered on the pilot step and sitting flat against the output shaft bushing (Fig. 19).



**WARNING:** If the cutting blade is off-center, the unit will vibrate and the blade may fly off, causing possible serious personal injury.



# BRUSHCUTTER ASSEMBLY INSTRUCTIONS

6. Align the shaft bushing hole with the locking rod slot and insert the locking rod into the bushing hole (Fig. 15).
7. Put the blade retainer and nut on the output shaft. Make sure that the blade is installed correctly.
8. Tighten nut counterclockwise against the blade while holding the locking rod:
  - If using a torque wrench and an 5/8 inch socket tighten to: **37 - 38 N•m, 27 - 28 ft.•lb, 325 - 335 in•lb.**
  - Without a torque wrench, use a 5/8 inch closed-end or socket wrench, turning the nut until the blade retainer is snug against the shaft bushing. Make sure that the blade is installed correctly, then rotate the nut an additional 1/4 to 1/2 turn counterclockwise (Fig. 20).

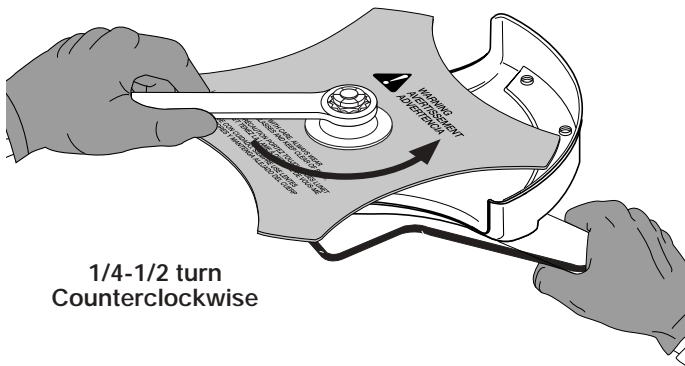


Fig. 20

9. Remove the locking rod from the locking rod slot.



**WARNING:** To avoid serious personal injury or damage to the unit, do not start or operate this unit with the locking rod in the locking rod slot.



**WARNING:** Do not sharpen the cutting blade. Sharpening the blade can cause the blade tip to break off while in use. This can result in severe personal injury. Replace the blade.

## LT31CS ONLY: REMOVE THE CUTTING BLADE AND INSTALL THE CUTTING ATTACHMENT



**WARNING:** To avoid serious personal injury, always wear gloves while handling or installing the blade.

### Remove the Cutting Blade

1. Align the shaft bushing hole with the locking rod slot and insert the locking rod into the bushing hole (Fig. 15).

2. Hold the locking rod in place by grasping it next to the boom of the unit (Fig. 21).
3. While holding the locking rod, loosen the nut on the blade by turning it clockwise with a 5/8 inch closed-end or socket wrench (Fig. 21).

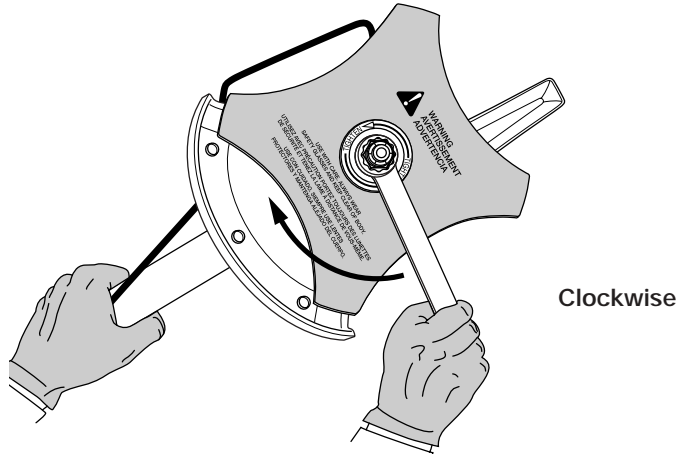


Fig. 21

4. Remove the nut, blade retainer and blade. Store the nut and blade together for future use in a secure place. Store out of children's reach.

### Install the Cutting Attachment

5. Align the shaft bushing hole with the locking rod slot and insert the locking rod into the shaft bushing hole (Fig. 15). Place the blade retainer on the output shaft with the flat surface against the output shaft bushing (Fig. 22). Screw the cutting attachment counterclockwise onto the output shaft. Tighten securely.

**NOTE:** The blade retainer must be installed on the output shaft in the position shown for the cutting attachment to work correctly.

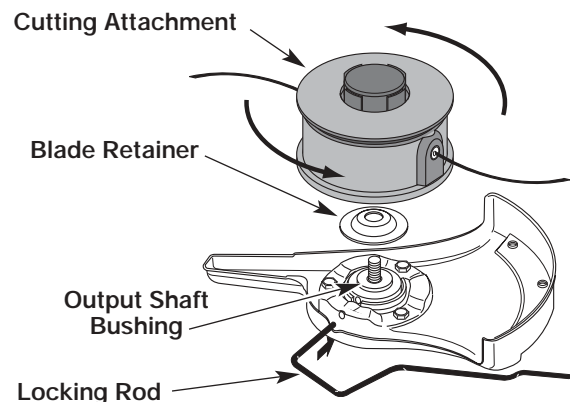


Fig. 22

6. Remove the locking rod.
7. Install the cutting attachment shield. Refer to *Remove and Install the Cutting Attachment Shield*.



**WARNING:** To avoid serious personal injury, the cutting attachment shield **MUST** be in place at all times while operating the unit as a trimmer.

# OIL AND PETROL INFORMATION

## OIL AND PETROL MIXING INSTRUCTIONS

Old and/or improperly mixed fuel are the main reasons for the unit not running properly. Be sure to use fresh, clean unleaded petrol. Follow the instructions carefully for the proper petrol/oil mixture.

### Definition of Blended Petrols

Today's petrols are often a blend of petrol and oxygenates such as ethanol, methanol, or MTBE (ether). Alcohol-blended petrol absorbs water. As little as 1% water in the petrol can make petrol and oil separate. It forms acids when stored. When using alcohol-blended petrol, use fresh petrol (less than 60 days old).

### Using Blended Petrols


If you choose to use a blended petrol, or its use is unavoidable, follow recommended precautions:

- Always use the fresh fuel mix explained in your operator's manual
- Always agitate the fuel mix before fueling the unit
- Drain the tank and run the engine dry before storing the unit

### Using Fuel Additives



The bottle of 2-cycle oil that came with your unit contains a fuel additive which will help inhibit corrosion and minimize the formation of gum deposits. It is recommended that you use our 2-cycle oil with this unit.

If unavailable, use a good 2-cycle oil designed for air-cooled engines along with a fuel additive, such as STA-BIL® Petrol Stabilizer or an equivalent. Add 23 ml (0.8 oz) of fuel additive per gallon of fuel according to the instructions on the container. NEVER add fuel additives directly to the unit's fuel tank.

	<b>CAUTION:</b> For proper engine operation and maximum reliability, pay strict attention to the oil and petrol mixing instructions on the 2-cycle oil container. Using improperly mixed fuel can severely damage the engine.
---	---

Thoroughly mix the proper ratio of 2-cycle engine oil with unleaded petrol in a separate fuel can. Use a 40:1 petrol/oil ratio. Do not mix them directly in the engine fuel tank. See the table below for specific petrol and oil mixing ratios.


**NOTE:** 3.8 liters (1 gallon) of unleaded petrol mixed with one 95 ml (3.2 oz) bottle of 2-cycle oil makes a 40:1 petrol/oil ratio.

	+	
<b>UNLEADED PETROL</b>		<b>2 CYCLE OIL</b>
<b>3.8 LITERS 1 GALLON US</b>		<b>95 ml 3.2 FL. OZ</b>
<b>1 LITER</b>		<b>25 ml</b>

**MIXING RATIO - 40:1**

	<b>WARNING:</b> Petrol is extremely flammable. Ignited vapors may explode. Always stop the engine and allow it to cool before filling the fuel tank. Do not smoke while filling the tank. Keep sparks and open flames at a distance from the area.
--	--

	<b>WARNING:</b> Remove fuel cap slowly to avoid injury from fuel spray. Never operate the unit without the fuel cap securely in place.
---	--

	<b>WARNING:</b> Add fuel in a clean, well ventilated outdoor area. Wipe up any spilled fuel immediately. Avoid creating a source of ignition for spilt fuel. Do not start the engine until fuel vapors dissipate.
---	---

**NOTE:** Dispose of the old petrol/oil mix in accordance to Federal, State and Local regulations.

# STARTING/STOPPING INSTRUCTIONS



**WARNING:** Operate this unit only in a well-ventilated outdoor area. Carbon monoxide exhaust fumes can be lethal in a confined area.



**WARNING:** Avoid accidental starting. Make sure you are in the starting position when pulling the starter rope (Fig. 26). To avoid serious injury, the operator and unit must be in a stable position while starting.

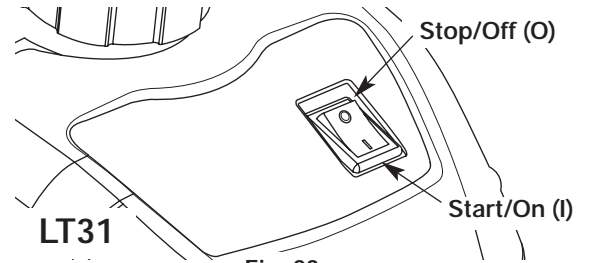


Fig. 23

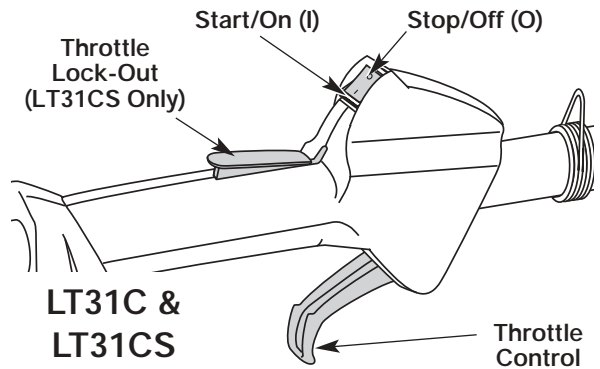


Fig. 24

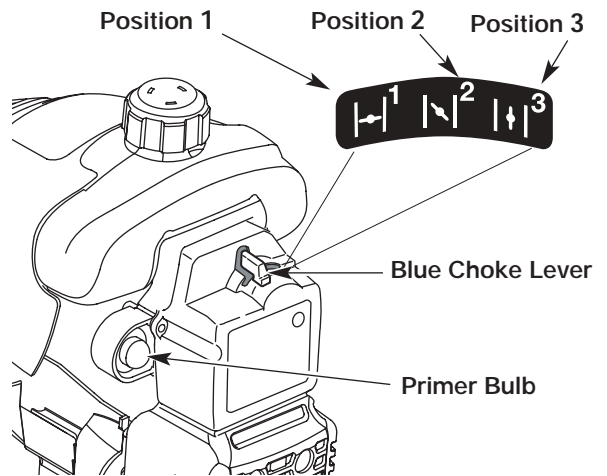


Fig. 25

## STARTING INSTRUCTIONS

1. Mix petrol with oil. Fill fuel tank with petrol/oil mixture. See *Oil and Petrol Mixing Instructions*.
2. Make sure the On/Off Stop Control in the ON (I) position (Fig. 23 or Fig. 24).
3. Fully press and release the primer bulb 10 times, slowly. Some amount of fuel should be visible in the primer bulb and fuel lines (Fig. 25). If you can't see fuel in the bulb, press and release the bulb as many times as it takes before you can see fuel in it.
4. Place the blue choke lever in Position 1 (Fig. 25).
5. Crouch in the starting position (Fig. 26) and squeeze the throttle control. Pull the starter rope 5 times.
6. Place the blue choke lever in Position 2.
7. While squeezing the throttle control (hold the throttle lock-out also for the LT31CS model), pull the starter rope out with a **controlled and steady motion** 1 to 4 times to start the engine.

**NOTE:** The unit uses Advanced Starting Technology™, which significantly reduces the effort required to start the engine. You must pull the starter rope out far enough to hear the engine attempt to start. There is no need to pull the rope briskly-- there is no harsh resistance when pulling. Be aware that this starting method is vastly different from (and much easier than) what you may be used to.

8. Keep the throttle squeezed and allow the engine to warm up for 15 to 30 seconds.
9. Place the blue choke lever in Position 3. The unit is ready for use.

**IF...** The engine does not start, go back to step 3.

**IF...** The engine fails to start after a few attempts, place the choke lever in Position 3 and squeeze the throttle control. Pull the starter rope briskly 3 to 8 times. The engine should start. If not, repeat.

**IF WARM...** If the engine is already warm, make sure the On/Off Stop control is in the ON position and start the unit with the blue choke lever in Position 2. After the unit starts, move the blue choke lever to Position 3.

## STOPPING INSTRUCTIONS

1. Release your hand from the throttle control. Allow the engine to cool down by idling.
2. Put the On/Off Stop Control in the OFF (O) position.

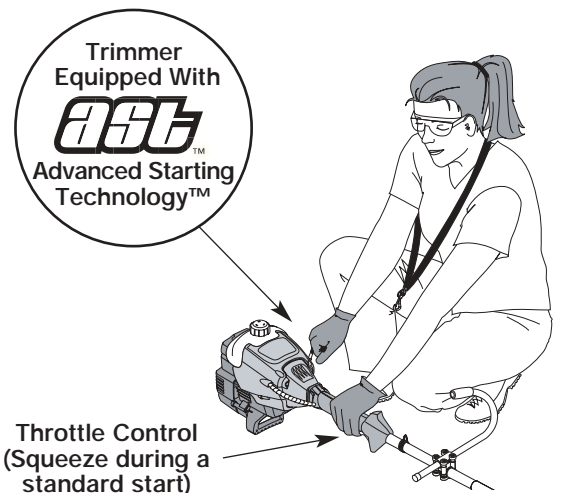


Fig. 26



# OPERATING INSTRUCTIONS

## HOLDING THE TRIMMER



**WARNING:** Always wear eye, hearing, foot and body protection to reduce the risk of injury when operating this unit.

Before operating the unit, stand in the operating position (Fig. 27). Check for the following:

- The operator is wearing eye protection and proper clothing
- With a slightly-bent right arm, the operator's right hand is holding the shaft grip
- The operator's left arm is straight, the left hand holding the handle
- The unit is at waist level
- The cutting attachment is parallel to the ground and easily contacts the grass without the need to bend over

After you start the unit and once you are in the operating position, hook the shoulder strap to the unit (LT31CS only).

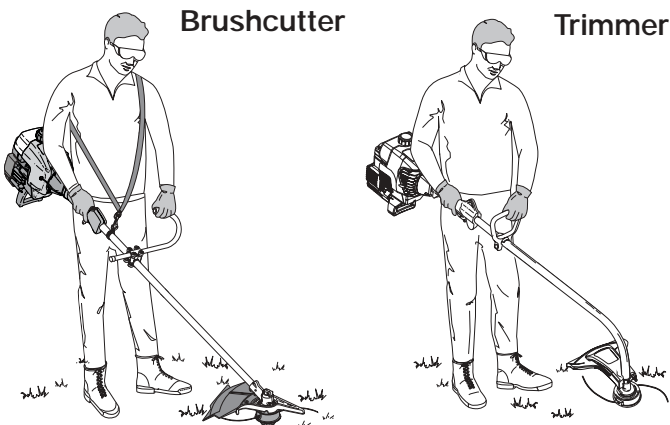


Fig. 27

## ADJUSTING TRIMMING LINE LENGTH

The Bump Head™ cutting attachment allows you to release trimming line without stopping the engine. To release more line, lightly tap the cutting attachment on the ground (Fig. 28) while operating the trimmer at high speed.

**NOTE:** Always keep the trimming line fully extended. Line release becomes more difficult as the cutting line becomes shorter.

Each time the head is bumped, about 1 inch (25.4 mm) of trimming line is released. A blade in the cutting attachment shield will cut the line to the proper length if excess line is released.

For best results, tap the Bump Head™ on bare ground or hard soil. If line release is attempted in tall grass, the engine may stall. Always keep the trimming line fully extended. Line release becomes more difficult as the cutting line becomes shorter.

**NOTE:** Do not rest the Bump Head™ on the ground while the unit is running.



**CAUTION:** Do not remove or alter the line cutting blade assembly. Excessive line length will make the clutch overheat. This may lead to serious personal injury or damage to the unit.

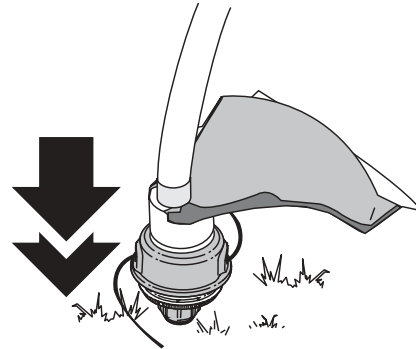


Fig. 28

Some line breakage will occur from:

- Entanglement with foreign matter
- Normal line fatigue
- Attempting to cut thick, stalky weeds
- Forcing the line into objects such as walls or fence posts

## TIPS FOR BEST TRIMMING RESULTS

- For best trimming results, operate unit at full throttle.
- Keep the cutting attachment parallel to the ground.
- Do not force the cutting attachment. Allow the tip of the line to do the cutting, especially along walls. Cutting with more than the tip will reduce cutting efficiency and may overload the engine.
- Cut grass over 8 inches (200 mm) by working from top to bottom in small increments to avoid premature line wear or engine drag.
- Cut in the following manner, depending on your unit. This improves the unit's cutting efficiency. Clippings are thrown away from the operator.
  - LT31CS: *cut from left to right*
  - LT31 & LT31C: *cut from right to left*
- Slowly move the trimmer into and out of the cutting area at the desired height. Move either in a forward-backward or side-to-side motion. Cutting shorter lengths produces the best results.
- Trim only when grass and weeds are dry.
- The life of your cutting line is dependent upon:
  - Proper adherence of explained trimming techniques
  - What vegetation is cut
  - Where vegetation is cut

For example, the line will wear faster when trimming against a foundation wall as opposed to trimming around a tree.

# OPERATING INSTRUCTIONS

## DECORATIVE TRIMMING

Decorative trimming is accomplished by removing all vegetation around trees, posts, fences and more.

Rotate the whole unit so that the cutting attachment is at a 30° angle to the ground (Fig. 29).

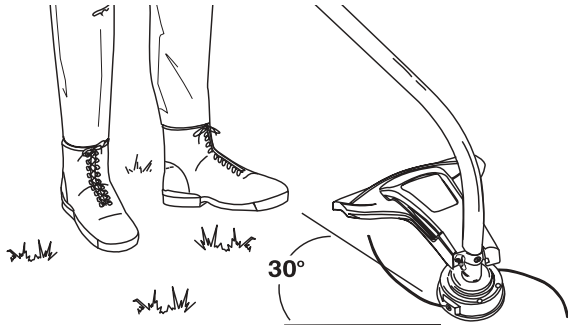


Fig. 29

## LT31CS ONLY: USING THE CUTTING BLADE



**WARNING:** Always wear eye, hearing, foot, body protection and the shoulder strap to reduce the risk of injury when operating this unit.



**WARNING:** Do not use the cutting blade for edging or as an edger. Severe personal injury to yourself or others can result.

Before operating the unit with the cutting blade, stand in the operating position (Fig. 30). Refer to *Holding the Trimmer*.

### Cutting Blade Operating Tips

To establish a rhythmic cutting procedure:

- Plant feet firmly, comfortably apart.
- Bring the engine to full throttle before entering the material to be cut. At full throttle the blade has maximum cutting power and is less likely to bind, stall or cause blade thrust (which can result in serious personal injury to the operator or others).



**WARNING:** Blade thrust may occur when the spinning blade contacts an object that it does not immediately cut. Blade thrust can be violent enough to cause the unit and/or operator to be propelled in any direction, and possibly lose control of the unit. Blade thrust can occur without warning if the blade snags, stalls or binds. This is more likely to occur in areas where it is difficult to see the material being cut.

- Cut while swinging the upper part of your body from left to right.
- Always release the throttle trigger and allow the engine to return to idle speed when not cutting.
- When you are finished, always unsnap the unit from the harness before taking off the harness.



**WARNING:** The blade continues to spin after the engine is turned off. The coasting blade can seriously cut you if accidentally touched.

- Swing the unit in the opposite direction as the blade spins, which increases the cutting action.
- After the return swing, move forward to the next area to be cut plant your feet again.
- The cutting blade is designed with a second cutting edge. You can use it by removing the blade, turning it upside down, and reinstalling it.



**WARNING:** Do not sharpen the cutting blade. Sharpening the blade can cause the blade tip to break off while in use. This can result in severe personal injury to yourself or others. Replace the blade.

To reduce the chance of material wrapping around the blade, follow these steps:

- Cut at full throttle
- Swing the unit into material to be cut from your left to your right (Fig. 30)
- Avoid the material just cut as you make the return swing



**WARNING:** Do not clear away any cut material with the engine running or blade turning. To avoid serious personal injury, turn off the engine. Allow the blade to stop before removing materials wrapped around the blade shaft.

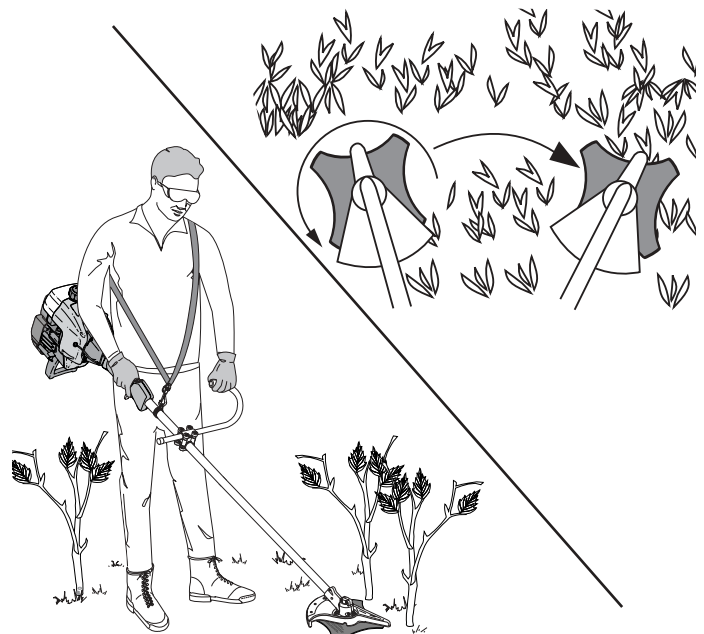


Fig. 30

# MAINTENANCE AND REPAIR INSTRUCTIONS

## MAINTENANCE SCHEDULE

Perform these required maintenance procedures at the frequency stated in the table. These procedures should also be a part of any seasonal tune-up.

**NOTE:** Some maintenance procedures may require special tools or skills. If you are unsure about these procedures take your unit to any non-road engine repair establishment, individual or authorized service dealer.



**WARNING:** To prevent serious injury, never perform maintenance or repairs with unit running. Always service and repair a cool unit. Disconnect the spark plug wire to ensure that the unit cannot start.

**NOTE:** Maintenance, replacement, or repair of the emission control devices and system may be performed by any non-road engine repair establishment, individual or authorized service dealer.

In order to assure peak performance of your engine, inspection of the engine exhaust port may be necessary after 50 hours of operation. If you notice lost RPM, poor performance or general lack of acceleration, this service may be required. If you feel your engine is in need of this inspection, refer service to any non-road engine repair establishment, individual or authorized service dealer for repair. **DO NOT** attempt to perform this process yourself as engine damage may result from contaminants involved in the cleaning process for the port.

FREQUENCY	MAINTENANCE REQUIRED	REFER TO
Before starting engine	Fill fuel tank with fresh fuel	Page 15
Every 10 hours	Clean and re-oil air filter	Page 26
Every 25 hours	Check and clean spark arrestor Check spark plug condition and gap	Page 27 Page 28
Every 50 hours	Inspect exhaust port and spark arrestor screen for clogging or obstruction to assure maximum performance levels	Page 27

## LINE INSTALLATION

Your trimmer is equipped with one of three cutting attachments. Refer only to the section that applies to the type of cutting attachment that your unit is equipped with.

### LT31 LINE INSTALLATION: SMALL BUMP HEAD

This section covers both SplitLine™ and standard single line installation.

Always use original equipment manufacturer 2.03 mm (0.080 in) replacement line. Line other than the specified may make the engine overheat or fail.



**WARNING:** Never use metal-reinforced line, wire, chain or rope. These can break off and become dangerous projectiles.

There are two methods to replace the trimming line:

- Wind the inner reel with new line
- Install a prewound inner reel

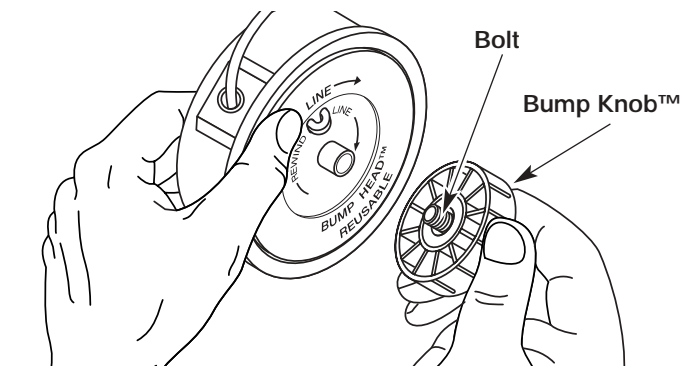


Fig. 31

## Winding the Existing Inner Reel

1. Hold the outer spool with one hand and unscrew the Bump Knob™ counterclockwise (Fig. 31). Inspect the bolt inside the Bump Knob to make sure it moves freely. Replace the Bump Knob if damaged.
2. Remove the inner reel from the outer spool (Fig. 32).

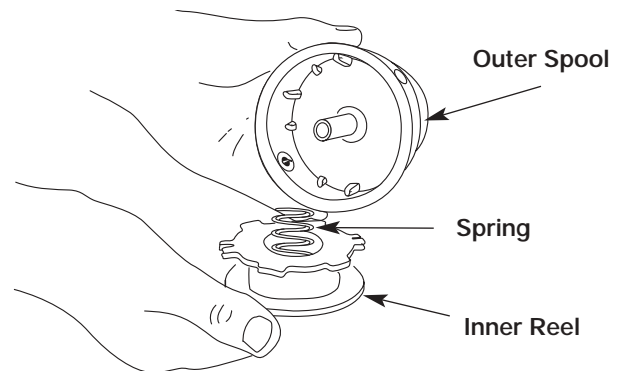


Fig. 32

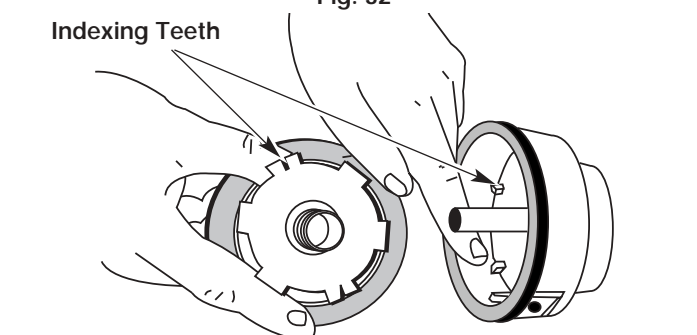


Fig. 33

# MAINTENANCE AND REPAIR INSTRUCTIONS

- Remove spring from the inner reel (Fig. 32).
- Use a clean cloth to clean the the inner reel, spring, shaft, and inner surface of the outer spool.
- Check the indexing teeth on the inner reel and outer spool for wear (Fig. 33). If necessary, remove burrs or replace the reel and spool.

For Use with Single Line ONLY

For Use with SplitLine™ or Single Line

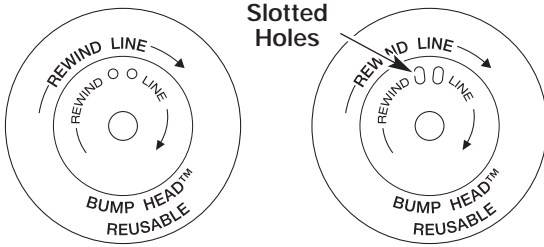


Fig. 34

**NOTE:** SplitLine™ can only be used with the inner reel with the slotted holes. Single line can be used on either type of inner reel. Use Figure 34 to identify the inner reel you have.

**NOTE:** Always use the correct line length when installing trimming line on the unit. The line may not release properly if the line is too long.

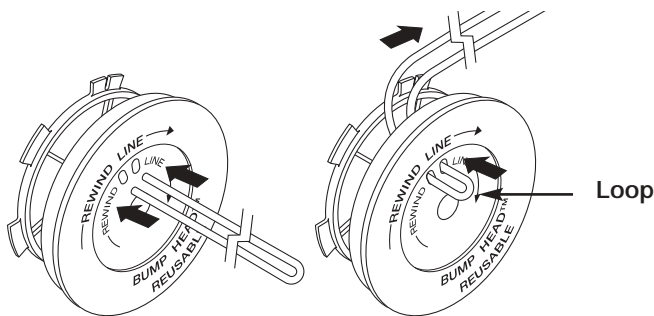


Fig. 35

## Single Line Installation

Go To Step 8 for SplitLine™ Installation

- Take approximately 6 m (20 feet) of new trimming line, loop it into two equal lengths. Insert each end of the line through one of the two holes in the inner reel (Fig. 35). Pull the line through the inner reel so that the loop is as small as possible.
- Wind the lines in tight even layers, onto the reel (Fig. 36). Wind the line in the direction indicated on the inner reel. Place your index finger between the two lines to stop the lines from overlapping. Do not overlap the ends of the line. Proceed to step 11.

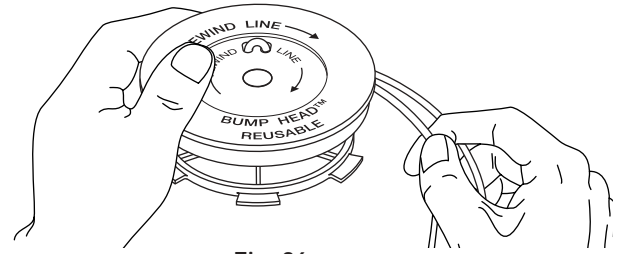


Fig. 36

## SplitLine™ Installation

- Take approximately 3 m (10 feet) of new trimming line. Insert one end of the line through one of the two holes in the inner reel (Fig. 37). Pull the line through the inner reel until only about 4 inches is left out.
- Insert the end of the line into the open hole in the inner reel and pull the line tight to make the loop as small as possible (Fig. 37).
- Before winding, split the line back about 6 inches.
- Wind the line in tight even layers in the direction indicated on the inner reel.

**NOTE:** Failure to wind the line in the direction indicated will cause the cutting attachment to operate incorrectly.

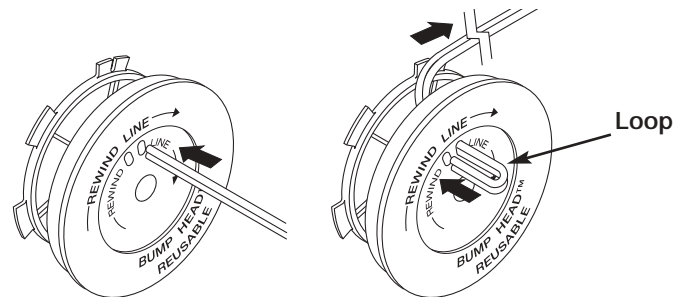


Fig. 37

- Insert the ends of the line into the two holding slots (Fig. 38).
- Insert the ends of the line through the eyelets in the outer spool and place inner reel with spring inside the outer spool (Fig. 39). Push the inner reel and outer spool together. While holding the inner reel and outer spool, grasp the ends and pull firmly to release the line from the holding slots in the reel.

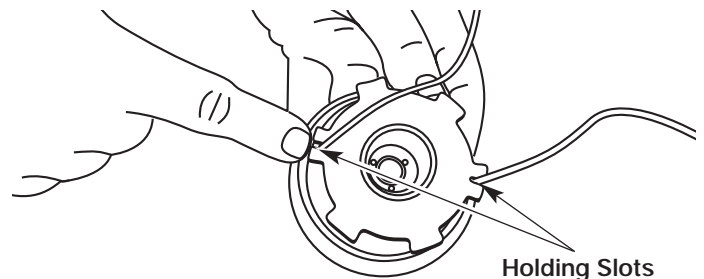


Fig. 38

# MAINTENANCE AND REPAIR INSTRUCTIONS

**NOTE:** The spring must be assembled on the inner reel before reassembling the cutting attachment.

14. Hold the inner reel in place and install the bump knob by turning clockwise. Tighten securely.

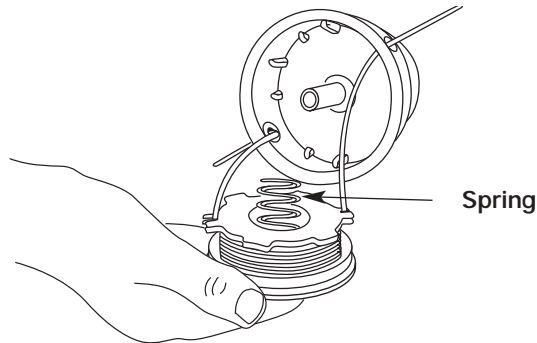


Fig. 39

## INSTALLING A PREWOUND REEL

1. Hold the outer spool with one hand and unscrew the bump knob counterclockwise (Fig. 31). Inspect the bolt inside the bump knob to make sure it moves freely. Replace the bump knob if damaged.
2. Remove the old inner reel from the outer spool (Fig. 32).
3. Remove the spring from the old inner reel (Fig. 32).
4. Place the spring in the new inner reel.

**NOTE:** The spring must be assembled on the inner reel before reassembling the cutting attachment.

5. Insert the ends of the line through the eyelets in the outer spool (Fig. 39).
6. Place the new inner reel inside the outer spool. Push the inner reel and outer spool together. While holding the inner reel and outer spool, grasp the ends and pull firmly to release the line from the holding slots in the spool.
7. Hold the inner reel in place and install the bump knob by turning clockwise. Tighten securely.

## LT31C LINE INSTALLATION: SPEEDSPOOL



**WARNING:** Never use metal-reinforced line, wire, chain or rope. These can break off and become dangerous projectiles.

Always use original equipment manufacturer 2.03 mm (0.080 in) replacement line. Lines other than those specified may make the engine overheat or fail.

There are two methods to replace the SpeedSpool® trimming line:

- Wind the inner reel with new line
- Install a pre-wound inner reel

### Winding the Inner Reel With New Line

**NOTE:** It is unnecessary to remove the bump knob to install a new trimming line.

1. Cut two pieces of 2.03 mm (0.080 in) trimming line, 10 feet (3 m) long.
2. Hold the outer spool and turn the inner reel counterclockwise to line up the arrows on the outer spool and inner reel (Fig. 40).



**WARNING:** Always use the correct line length when installing trimming line on the unit. The line may not release properly if the line is too long.

Top View Of The SpeedSpool®

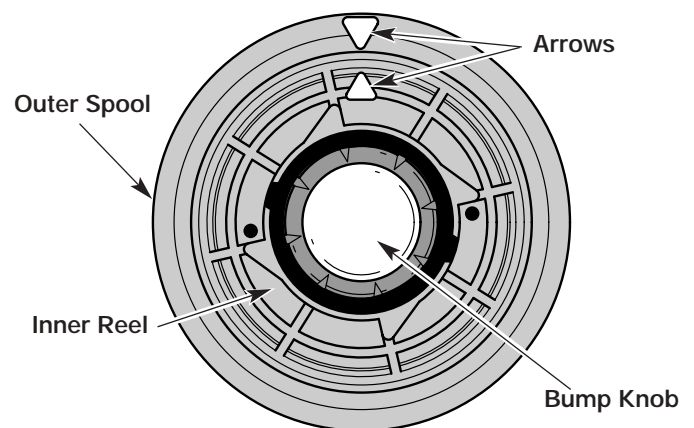


Fig. 40

# MAINTENANCE AND REPAIR INSTRUCTIONS

3. Pull old line out of the line loading and line locking holes (Fig. 41 and 42).
4. Insert a piece of trimming line straight into one of the two eyelets in the outer spool. Push it up through the line loading hole in the inner reel (Fig. 41). Do not bend the line when inserting it into the eyelet.

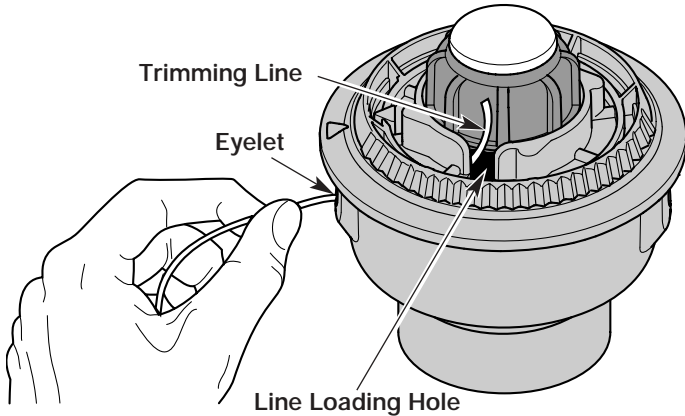


Fig. 41

5. Insert the line into the locking hole (Fig. 42). Do not push the line more than a 12.7 mm (1/2 inch) into the line locking hole. The line will form a small loop (Fig. 42) when it is inserted correctly.

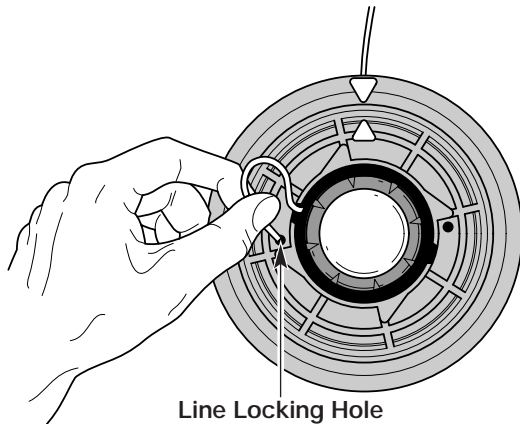


Fig. 42

6. Pull the line from the outer spool until the line is tight against the inner reel (Fig. 43).

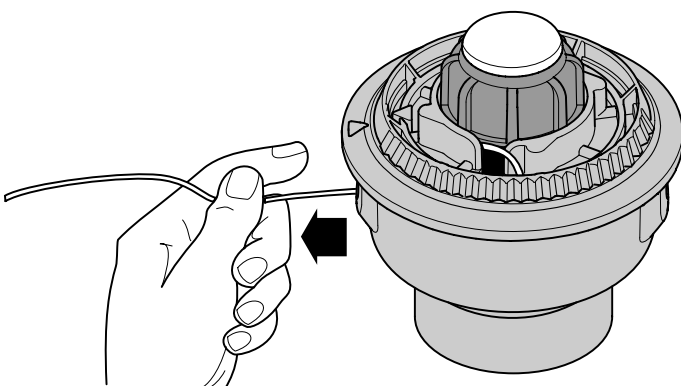


Fig. 43

7. Repeat procedures 4-6 with the second piece of line.
8. Hold the outer spool. Wind the inner reel counterclockwise until approximately four (4) inches (102 mm) of line remain (Fig. 44).

**NOTE:** Do not wind the inner reel before installing the second piece of line.

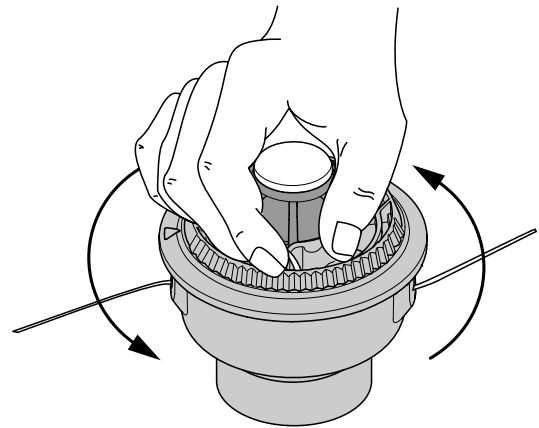


Fig. 44

9. If winding the line becomes difficult or if the line jams, pull the ends of the line from the spool (Fig. 45). Continue winding the inner reel counterclockwise.

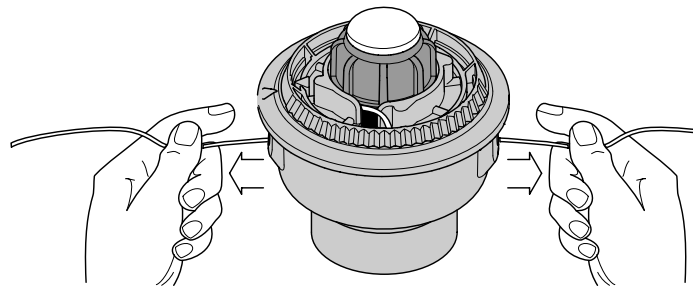


Fig. 45

## INSTALLING A PRE-WOUND REEL

1. Turn the bump knob counterclockwise and remove the bump knob, spring and foam seal (Fig. 46).

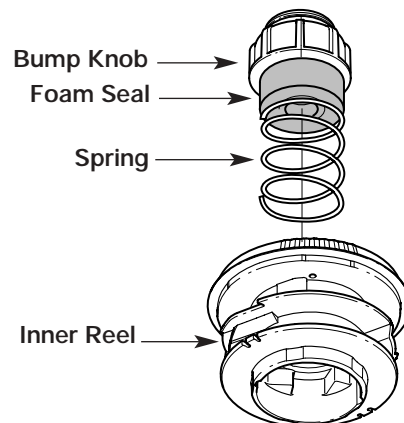


Fig. 46

# MAINTENANCE AND REPAIR INSTRUCTIONS

2. Pull the old inner reel with existing line from the outer spool.
3. Insert the ends of the prewound inner reel line into the outer spool eyelets (Fig. 47). Push the new inner reel, arrow side up, into the outer spool.

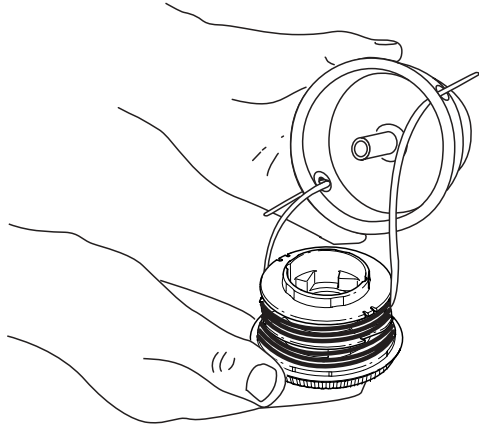


Fig. 47

4. Hold the inner reel in place and install the bump knob, spring and foam seal. Press down and turn the bump knob clockwise. Grasp the ends and pull firmly to release the line from the holding slots in the inner reel (Fig. 46).

## Releasing the Inner Reel

If the SpeedSpool® does not release line correctly, pull the ends of the line firmly from the spool (Fig. 45). If this does not release the line, follow the *Cleaning the SpeedSpool®* instructions.

## CLEANING THE SPEEDSPOOL®

Cleaning the SpeedSpool® may be necessary if:

- A jammed or excessive line must be removed
  - The SpeedSpool® becomes difficult to wind or does not operate correctly when bumping the head on the ground
1. Hold the outer spool, and unscrew the bump knob counterclockwise (Fig. 48).
  2. Pull out the bump knob, spring and foam seal (Fig. 46).

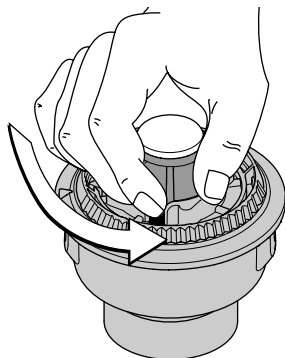


Fig. 48

3. Pull the inner reel with existing line from the outer spool (Fig. 47).

4. Remove any existing line from the inner reel before cleaning. Remove any debris or grass from the knob, spring, inner reel and foam seal. Wash the inner reel with warm soapy water (Fig. 49).

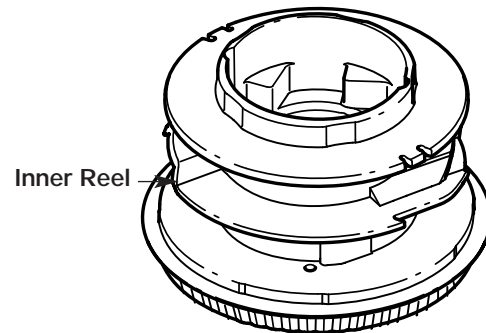


Fig. 49

5. Clean the shaft and the inner surface of the outer spool. To clean the shaft underneath the plunger, press down on the plunger (Fig. 50). Remove any dirt or debris from the shaft.

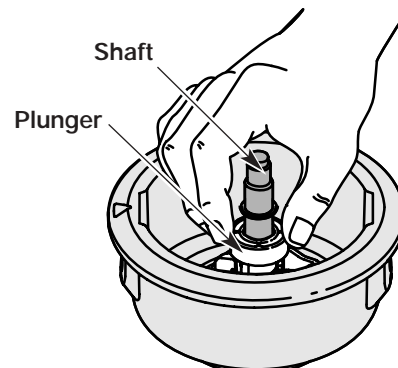


Fig. 50

**NOTE:** The inner reel must be totally dry before reinstalling it into the outer spool. Do not lubricate the inner reel or outer spool assembly.

6. Place the inner reel into the outer spool.
7. Place the bump knob, spring and foam seal into the inner reel (Fig. 46).
8. Press the bump knob down and tighten clockwise.
9. Install new line as described in *Line Installation for the SpeedSpool®*.

# MAINTENANCE AND REPAIR INSTRUCTIONS

## LT31CS LINE INSTALLATION: BUMP HEAD

This section covers both SplitLine™ and standard single line installation.

Always use original equipment manufacturer 2.41 mm (0.095 in) replacement line. Line other than the specified may make the engine overheat or fail.



**WARNING:** Never use metal-reinforced line, wire, chain or rope. These can break off and become dangerous projectiles.

There are two methods to replace the trimming line:

- Wind the inner reel with new line
- Install a prewound inner reel

### Winding the Existing Inner Reel

1. Hold the outer spool with one hand and unscrew the Bump Knob clockwise (Fig. 51). Inspect the bolt inside the bump knob to make sure it moves freely. Replace the bump knob if damaged.
2. Remove the inner reel from the outer spool (Fig. 51).
3. Remove spring from the inner reel (Fig. 51).

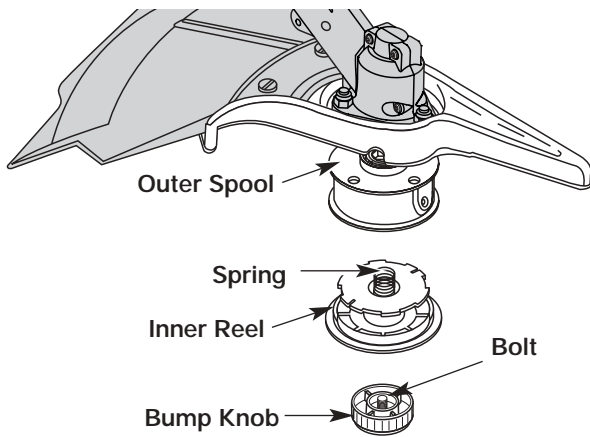


Fig. 51

4. Use a clean cloth to clean the the inner reel, spring, shaft and inner surface of the outer spool (Fig. 52).
5. Check the indexing teeth on the inner reel and outer spool for wear (Fig. 53). If necessary, remove burrs or replace the reel and spool.

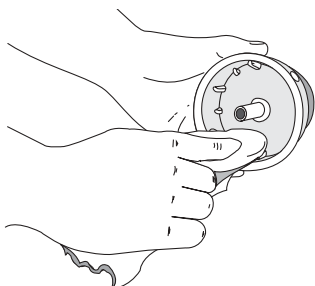


Fig. 52

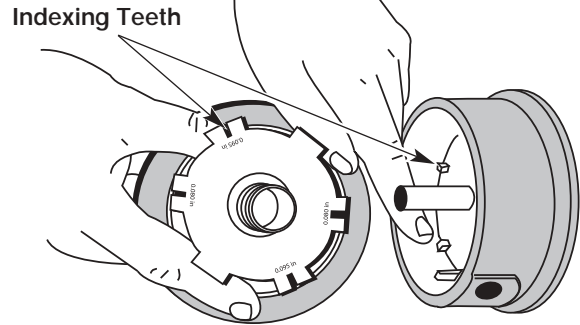
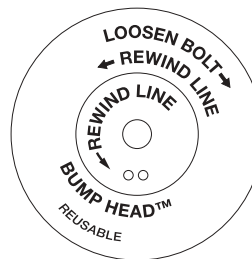


Fig. 53

For Use with Single Line ONLY



For Use with SplitLine™ or Single Line

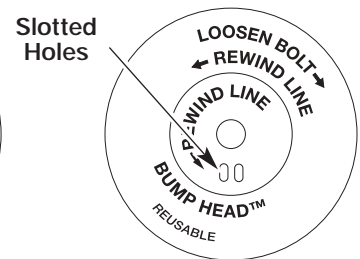


Fig. 54

**NOTE:** SplitLine™ can only be used with the inner reel with the slotted holes. Single line can be used on either type of inner reel. Use Figure 54 to identify the inner reel you have.

**NOTE:** Always use the correct line length when installing trimming line on the unit. The line may not release properly if the line is too long.

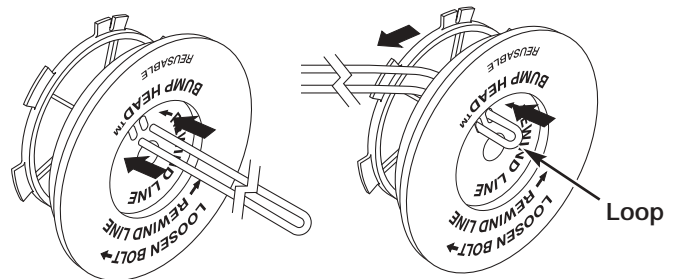


Fig. 55

### Single Line Installation

Go To Step 8 for SplitLine™ Installation

6. Take approximately 5 m (16 feet) of new trimming line, loop it into two equal lengths. Insert each end of the line through one of the two holes in the inner reel (Fig. 55). Pull the line through the inner reel so that the loop is as small as possible.
7. Wind the lines in tight even layers, onto the reel (Fig. 56). Wind the line in the direction indicated on the inner reel. Place your index finger between the two lines to stop the lines from overlapping. Do not overlap the ends of the line. Proceed to step 11.



# MAINTENANCE AND REPAIR INSTRUCTIONS

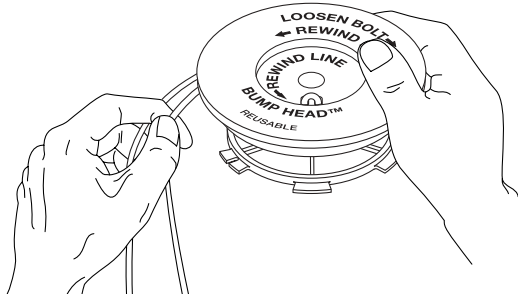


Fig. 56

## SplitLine™ Installation

- Take approximately 2.5 m (8 feet) of new trimming line. Insert one end of the line through one of the two holes in the inner reel (Fig. 57). Pull the line through the inner reel until only about 4 inches is left out.
- Insert the end of the line into the open hole in the inner reel and pull the line tight to make the loop as small as possible (Fig. 57).
- Before winding, split the line back about 6 inches.
- Wind the line in tight even layers in the direction indicated on the inner reel.

**NOTE:** Failure to wind the line in the direction indicated will cause the cutting attachment to operate incorrectly.

- Insert the ends of the line into the two holding slots (Fig. 58).

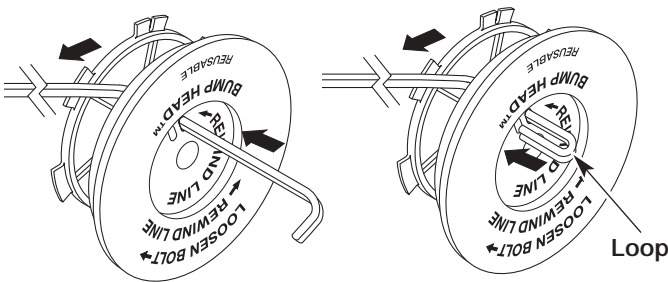


Fig. 57

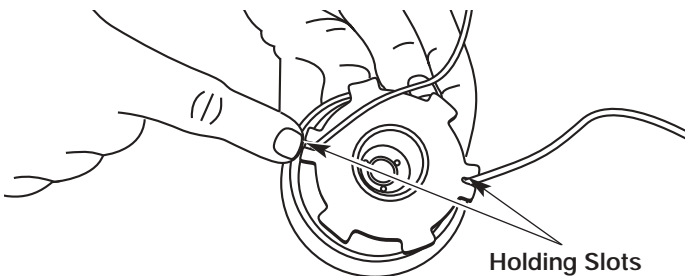


Fig. 58

- Insert the ends of the line through the eyelets in the outer spool and place inner reel with spring inside the outer spool (Fig. 59). Push the inner reel and outer spool together. While holding the inner reel and outer spool, grasp the ends and pull firmly to release the line from the holding slots in the reel.

**NOTE:** The spring must be assembled on the inner reel before reassembling the cutting attachment.

- Hold the inner reel in place and install the bump knob by turning counterclockwise. Tighten securely.

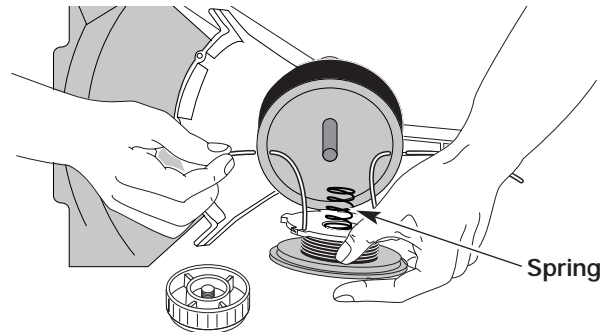


Fig. 59

## Installing a Prewound Wheel

- Hold the outer spool with one hand and unscrew the bump knob clockwise (Fig. 51). Inspect the bolt inside the bump knob to make sure it moves freely. Replace the bump knob if damaged.
- Remove the old inner reel from the outer spool (Fig. 51).
- Remove the spring from the old inner reel (Fig. 51).
- Place the spring in the new inner reel.

**NOTE:** The spring must be assembled on the inner reel before reassembling the cutting attachment.

- Insert the ends of the line through the eyelets in the outer spool (Fig. 59).
- Place the new inner reel inside the outer spool. Push the inner reel and outer spool together. While holding the inner reel and outer spool, grasp the ends and pull firmly to release the line from the holding slots in the spool.
- Hold the inner reel in place and install the bump knob by turning counterclockwise. Tighten securely.

# MAINTENANCE AND REPAIR INSTRUCTIONS

## AIR FILTER MAINTENANCE

### Removing the Air Filter/Muffler Cover



**WARNING:** To avoid serious personal injury, always turn your unit off and allow it to cool before you clean or service it.

1. Place the choke lever in Position 2 (Fig. 60).

**NOTE:** The choke lever must be in Position 2 to remove the air filter/muffler cover.

2. Remove the four (4) screws securing the air filter/muffler cover (Fig. 60). Use a T-20 Torx bit screwdriver.
3. Pull the cover from the engine. Do not force.

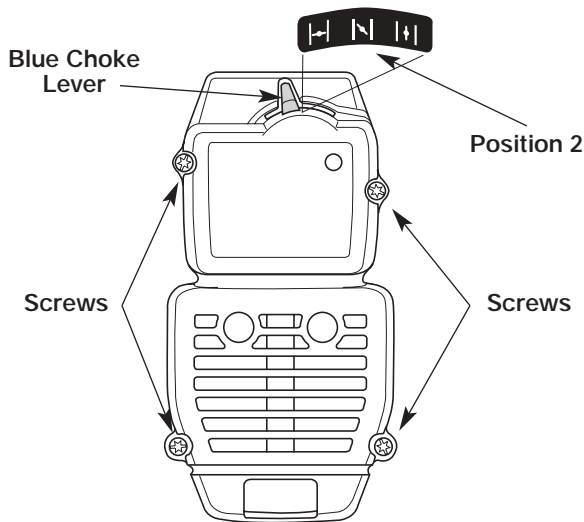


Fig. 60

### Cleaning the Air Filter

Clean and re-oil the air filter every 10 hours of operation. It is an important item to maintain. Failure to maintain your air filter properly can result in poor performance or can cause permanent damage to your engine.

1. Remove air filter/muffler cover. Refer to *Removing the Air Filter/Muffler Cover*.
2. Turn cover over and look inside to locate the air filter. Remove the air filter from inside the air filter/muffler cover (Fig. 61).
3. Wash the filter in detergent and water (Fig. 62). Rinse the filter thoroughly. Squeeze out excess water. Allow it to dry completely.
4. Apply enough clean SAE 30 oil to lightly coat the filter (Fig. 63).
5. Squeeze the filter to spread and remove excess oil (Fig. 64).

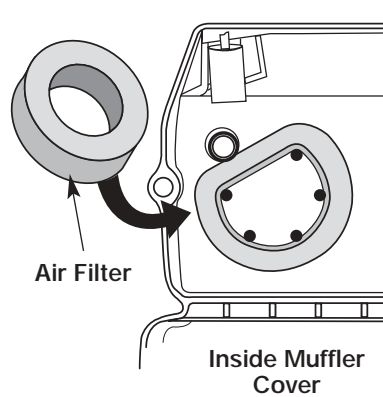


Fig. 61

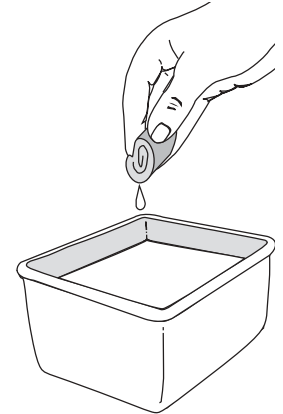


Fig. 62

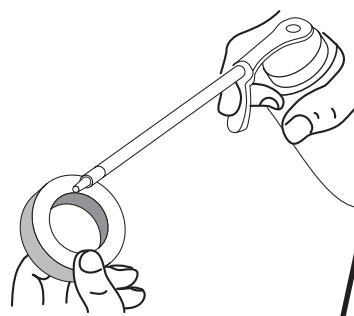


Fig. 63

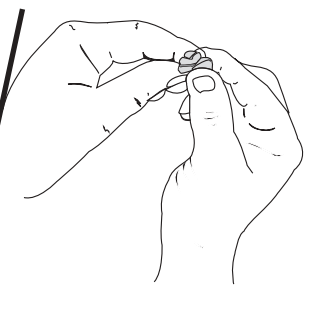


Fig. 64

6. Replace the air filter inside the air filter/muffler cover (Fig. 61).

**NOTE:** Operating the unit without the air filter and air filter/muffler cover assembly will VOID the warranty.

### Reinstalling the Air Filter/Muffler Cover

1. Place the air filter/muffler cover over the back of the carburetor and muffler. Align the screw holes.
2. Insert the four (4) screws into the holes in the air filter/muffler cover (Fig. 60) and tighten. **Do not over tighten.**

# MAINTENANCE AND REPAIR INSTRUCTIONS

## SPARK ARRESTOR MAINTENANCE

**NOTE:** The exhaust can only flow in one direction: AWAY from the engine. Pay close attention when disassembling the muffler so you can put it back together correctly. Failure to do so will damage the unit and may cause serious personal injury.

1. Remove air filter/muffler cover. Refer to *Removing the Air Filter/Muffler Cover*.
2. Locate the muffler, but do not remove it. Find the two (2) screws on the bottom of the muffler (Fig. 65). These two screws hold the Spark Arrestor Hood Assembly and the spark arrestor screen to the bottom of the muffler. Remove the two (2) screws using either a torx #20 or flat blade screwdriver.
3. Using a small flat blade screwdriver, carefully pry up the spark arrestor screen from the recessed hole, taking care to notice that the "raised" part of the spark arrestor screen is inside the recessed hole. Remove the spark arrestor screen from the muffler.
4. Clean the spark arrestor screen with a wire brush. Replace it if it is damaged, or if you are unable to clean it thoroughly.
5. Reinstall the spark arrestor screen by putting the "raised" portion of the screen inside the recessed hole of the muffler. Make sure that the spark arrestor screen fits flat against the muffler.
6. Place the spark arrestor plate on top of the spark arrestor with the "raised" side up and the opening facing towards the engine (Fig. 65).
7. Place the spark arrestor hood on top of the spark arrestor plate with the "raised" side up and the opening facing AWAY from the engine (Fig. 65). Verify that the exhaust will be directed AWAY from the engine.
8. Replace the two screws you removed in Step 2 and tighten them securely.
9. Reinstall the air filter/muffler cover.

**WARNING:** If the exhaust deflector assembly is not tightened securely, it could fall off causing damage to the unit and possible serious personal injury.

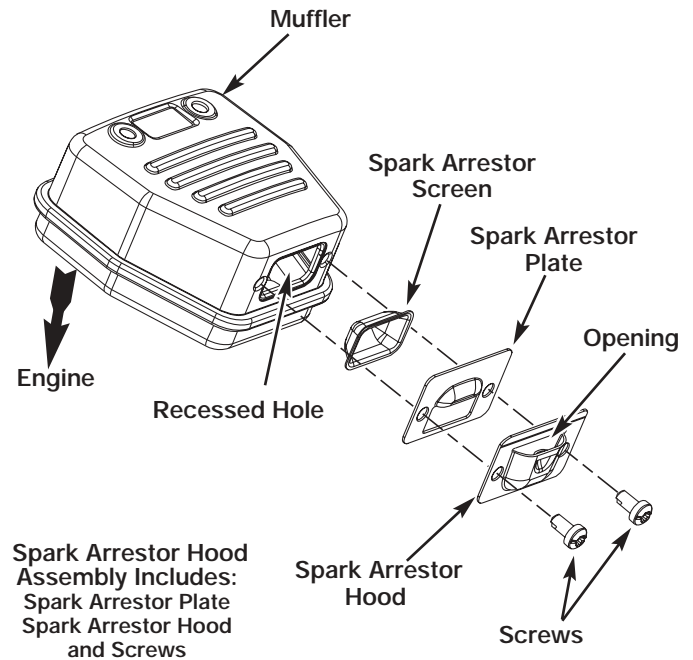


Fig. 65

## CARBURETOR ADJUSTMENT

The idle speed of the engine is adjustable through the air filter/muffler cover (Fig. 66).

**NOTE:** Careless adjustments can seriously damage your unit. An authorized service dealer should make carburetor adjustments.

### Check Fuel Mixture

Old and/or improperly mixed fuel is usually the reason for improper unit performance. Drain and refill the tank with fresh, properly-mixed fuel prior to making any adjustments. Refer to *Oil and Fuel Information*.

# MAINTENANCE AND REPAIR INSTRUCTIONS

## Clean Air Filter

The condition of the air filter is important to the operation of the unit. A dirty air filter will restrict air flow and change the air/fuel mixture. This is often mistaken for an out of adjustment carburetor. Check the condition of the air filter before adjusting the idle speed screw. Refer to *Air Filter Maintenance*.

## Adjust Idle Speed Screw

If, after checking the fuel mixture and cleaning the air filter, the engine still will not idle, adjust the idle speed screw as follows:

1. Start the engine and let it run at a high idle for a minute to warm up. Refer to *Starting/Stopping Instructions*.



**WARNING:** The cutting attachment may spin during idle speed adjustments. Wear protective clothing and observe all safety instructions to prevent serious personal injury.

2. Release the throttle trigger and let the engine idle. If the engine stops, insert a small phillips screwdriver into the hole in the air filter/muffler cover (Fig. 66). Turn the idle speed screw in, **clockwise**, 1/8 of a turn at a time (as needed) until the engine idles smoothly.

**NOTE:** For the LT31C & LT31CS, the cutting attachment should not rotate when the engine idles.

3. LT31: If the engine appears to be idling too fast, turn the idle speed screw **counterclockwise** 1/8 of a turn at a time (as needed), to reduce idle speed.

LT31C & LT31CS: If the cutting attachment rotates when the engine idles, turn the idle speed screw **counterclockwise** 1/8 of a turn at a time (as needed), to reduce idle speed.

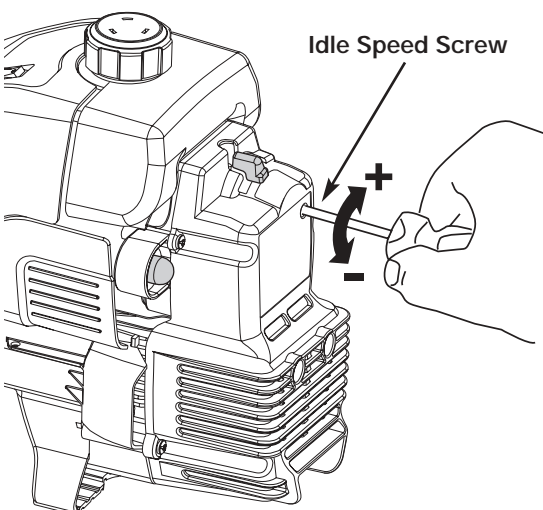


Fig. 66

Checking the fuel mixture, cleaning the air filter, and adjusting the idle speed should solve most engine problems. If not and:

- the engine will not idle
- the engine hesitates or stalls on acceleration
- there is a loss of engine power

Have the carburetor adjusted by an authorized service dealer.



**WARNING:** To prevent serious personal injury, make sure the cutting attachment has stopped rotating before you turn it off and set it down.

## REPLACING THE SPARK PLUG

Use a Champion RDJ7Y spark plug, or equivalent. The correct air gap is **0.5 mm (0.020 inch)**. Remove the plug after every 25 hours of operation and check its condition.

1. Stop the engine and allow it to cool. Grasp the plug wire firmly and pull it from the spark plug.
2. Clean around the spark plug. Remove the spark plug from the cylinder head by turning a 5/8-inch socket counterclockwise.
3. Replace a cracked, fouled or dirty spark plug. Set the air gap at **0.5 mm (0.020 inch)** using a feeler gauge (Fig. 67).



**WARNING:** Do not sand blast, scrape or clean electrodes. Grit in the engine could damage the cylinder.

4. Install a correctly-gapped spark plug in the cylinder head. Tighten by turning the 5/8-inch socket clockwise until snug.

If using a torque wrench torque to:

**12.3-13.5 N•m (110-120 in. •lb.)**

**Do not over tighten.**

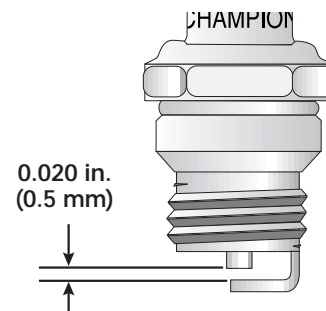


Fig. 67

# MAINTENANCE AND REPAIR INSTRUCTIONS

## CLEANING



**WARNING:** To avoid serious personal injury, always turn your trimmer off and allow it to cool before you clean or service it.

Use a small brush to clean off the outside of the unit. Do not use strong detergents. Household cleaners that contain aromatic oils such as pine and lemon, and solvents such as kerosene, can damage plastic housing or handle. Wipe off any moisture with a soft cloth.

## STORAGE

- Never store a fueled unit where fumes may reach an open flame or spark.
- Allow the engine to cool before storing.
- Store the unit locked up to prevent unauthorized use or damage.
- Store the unit in a dry, well-ventilated area.
- Store the unit out of the reach of children.

## LONG TERM STORAGE

If you plan on storing the unit for an extended time, use the following storage procedure:

1. Drain all fuel from the fuel tank into a container with the same 2-cycle fuel mixture. Do not use fuel that has been stored for more than 60 days. Dispose of the old fuel/oil mix in accordance to Federal, State and Local regulations.

2. Start the engine and allow it to run until it stalls. This ensures that all fuel has been drained from the carburetor.
3. Allow the engine to cool. Remove the spark plug and put 30 ml (1 oz) of any high quality motor oil or 2-cycle oil into the cylinder. Pull the starter rope slowly to distribute the oil. Reinstall the spark plug.

**NOTE:** Remove the spark plug and drain all of the oil from the cylinder before attempting to start the trimmer after storage.

4. Thoroughly clean the unit and inspect it for any loose or damaged parts. Repair or replace damaged parts and tighten loose screws, nuts or bolts. The unit is ready for storage.

## TRANSPORTING

- Allow the engine to cool before transporting.
- Drain fuel from unit.
- Tighten fuel cap before transporting.
- Secure the unit while transporting.

# TROUBLESHOOTING

## ENGINE WILL NOT START

### CAUSE

On/Off control in the OFF position  
Empty fuel tank  
Primer bulb wasn't pressed enough  
Engine is flooded  
Old or improperly mixed fuel  
Fouled spark plug  
Plugged spark arrestor  
The outside temperature is below 40° F  
The outside temperature is above 90° F

### ACTION

Turn On/Off control to ON  
Fill fuel tank with properly mixed fuel  
Press primer bulb fully and slowly 10 times  
Squeeze the trigger and pull the starter rope  
Drain fuel tank and add fresh fuel mixture  
Replace or clean the spark plug  
Clean or replace spark arrestor  
Pull the starter rope up to 10-15 times  
Squeeze the throttle control and pull the starter rope

## ENGINE WILL NOT IDLE

### CAUSE

Air filter is plugged  
Old or improperly mixed fuel  
Improper carburetor adjustment

### ACTION

Replace or clean the air filter  
Drain fuel tank and add fresh fuel mixture  
Adjust according to the *Carburetor Adjustments* section

## ENGINE WILL NOT ACCELERATE

### CAUSE

Old or improperly mixed fuel  
Improper carburetor adjustment  
Cutting attachment bound with grass  
Dirty air filter  
Plugged spark arrestor

### ACTION

Drain fuel tank and add fresh fuel mixture  
Take to an authorized service dealer for an adjustment  
Stop the engine and clean the cutting attachment  
Clean or replace the air filter  
Clean or replace spark arrestor

## ENGINE LACKS POWER OR STALLS WHEN CUTTING

### CAUSE

Old or improperly mixed fuel  
Improper carburetor adjustment  
Fouled spark plug  
Plugged spark arrestor

### ACTION

Drain fuel tank and add fresh fuel mixture  
Take to an authorized service dealer for an adjustment  
Replace or clean the spark plug  
Clean or replace spark arrestor

## CUTTING ATTACHMENT WILL NOT ADVANCE LINE

### CAUSE

Cutting attachment bound with grass  
Cutting attachment out of line  
Inner reel bound up  
Cutting head dirty  
Line welded  
Line twisted when refilled  
Not enough line is exposed

### ACTION

Stop the engine and clean cutting attachment  
Refill with new line  
Replace the inner reel  
Clean inner reel and outer spool  
Disassemble, remove the welded section and rewind  
Disassemble and rewind the line  
Push the bump knob and pull out line until 102 mm (4 inches) of line is outside of the cutting attachment

## CUTTING LINE ADVANCES UNCONTROLLABLY

### CAUSE

Oil, cleaner or lubricant in cutting head

### ACTION

Clean and thoroughly dry the cutting head

**If further assistance is required, contact your authorized service dealer.**

# SPECIFICATIONS

## ENGINE\*

Engine Type	Air-Cooled, 2-Cycle
Stroke	31.75 mm (1.25 in.)
Displacement	31 cc (1.9 cu in.)
Clutch Type	LT31: None; LT31C & LT31CS: Centrifugal
Idle Speed RPM	LT31: 2,800-4,400 rpm; LT31C & LT31CS: 2,800-3,600 rpm
Operating RPM	7,200+ rpm
Ignition Type	Electronic
Ignition Switch	Rocker Switch
Spark Plug Gap	0.5 mm (0.020 in.)
Lubrication	Petrol/Oil Mixture
Petrol/Oil Ratio	40:1
Carburetor	Diaphragm, All-Position
Starter	Auto Rewind
Muffler	Baffled with Guard
Throttle	Manual Spring Return
Fuel Tank Capacity	444 ml (15 oz)

## DRIVE SHAFT and CUTTING HEAD\*

### LT31 & LT31C:

Drive Shaft Housing	Steel Tube
Throttle Control	Finger-Tip Trigger
Approximate Unit Weight (No fuel, with cutting head, guard and D-handle)	4.5 kg (10.5 lbs.)
LT31 Cutting Mechanism	Dual String Cutting Head
LT31C Cutting Mechanism	Speed Spool
Line Spool	Bump Line Releaser
Line Spool Diameter	76.2 mm (3 inches)
Trimming Line Diameter	2.03 mm (0.080 inches)
Cutting Path Diameter	38.1 cm (15 inches)
Maximum Vibration Level (Idle)**	9.56 m/s <sup>2</sup>
Maximum Vibration Level (Racing)**	9.95 m/s <sup>2</sup>
Maximum Sound Pressure Level (Idle) ‡	86.0 LpeqdB(A)
Maximum Sound Pressure Level (Racing) ‡	101.0 LpeqdB(A)

### LT31CS:

Drive Shaft Housing	Steel Tube
Throttle Control	Finger-Tip Trigger w/Lock-Out
Approximate Unit Weight (No petrol, with cutting head, guard and handle)	6.5 kg (14.5 lbs.)
Cutting Mechanism	4-Tooth Cutting Blade, Dual String Cutting Head
Line Spool	Bump Line Releaser
Line Spool Diameter	101.6 mm (4 inches)
Trimming Line Diameter	2.41 mm (0.095 inches)
Cutting Path Diameter	45.7 cm (18 inches)
Cutting Path Diameter, Cutting Blade	204 mm (8 inches)
Shoulder Harness	Single Quick-Snap
Maximum Vibration Level (Idle)**	8.85 m/s <sup>2</sup>
Maximum Vibration Level (Racing)**	9.77 m/s <sup>2</sup>
Maximum Sound Pressure Level (Idle) ‡	87.0 LpeqdB(A)
Maximum Sound Pressure Level (Racing) ‡	101.0 LpeqdB(A)

\*\* Method for obtaining level per ISO 7916

‡ Method for obtaining level per ISO 7917

\*All specifications are based on the latest product information available at the time of printing. We reserve the right to make changes at any time without notice.

# NOTES



## Free Manuals Download Website

<http://myh66.com>

<http://usermanuals.us>

<http://www.somanuals.com>

<http://www.4manuals.cc>

<http://www.manual-lib.com>

<http://www.404manual.com>

<http://www.luxmanual.com>

<http://aubethermostatmanual.com>

Golf course search by state

<http://golfingnear.com>

Email search by domain

<http://emailbydomain.com>

Auto manuals search

<http://auto.somanuals.com>

TV manuals search

<http://tv.somanuals.com>