

WEED TRIMMER

INSTRUCTION BOOK

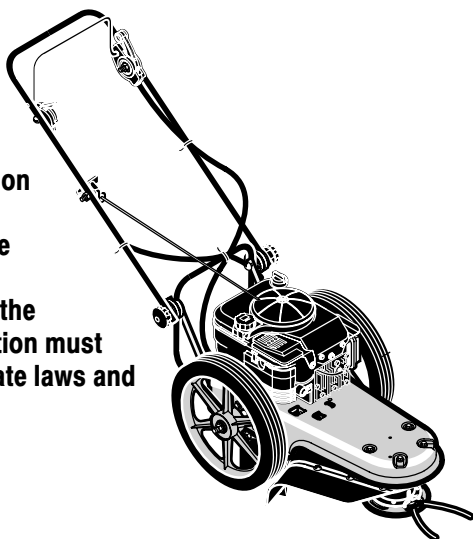
Model

TM6100x5A

This Instruction Book contains information for several models. Read and keep this book for future reference. This book contains important information on **SAFETY, ASSEMBLY, OPERATION, AND MAINTENANCE.**

PRODUCT INFORMATION

The owner must be certain that all the product information is included with the unit. This information includes the INSTRUCTION BOOKS, the REPLACEMENT PARTS and the WARRANTIES. This information must be included to make sure state laws and other laws are followed.



RECORD THE FOLLOWING INFORMATION ABOUT YOUR UNIT. THIS INFORMATION IS NECESSARY WHEN ORDERING PARTS OR IN CASE OF LOSS OR THEFT.

WHERE PURCHASED: _____.

DATE PURCHASED: Month _____ Day _____ Year _____.

MODEL NO.: _____ DATE OF MANUFACTURE: _____.

F-050204L

MURRAY, INC. Two Year Limited Warranty

Murray, Inc. warrants to the original purchaser that this unit shall be free from defects in material and workmanship under normal use and service for a period of **Two (2) Years** from the date of purchase; however, this warranty does not cover Normal Wear Parts (except as noted below) or engines as the engine companies that manufacture these items furnish their own warranties and provide service through their authorized field service facilities. For additional information, see the warranties covering these particular parts. If you are uncertain whether your unit contains or is equipped with one or more of these parts, consult your dealer prior to purchase. Subject to the terms and conditions noted in this Limited Warranty, we shall, at our option, repair or replace at no cost to the original purchaser any part covered by this Limited Warranty during the applicable warranty period.

Normal Wear Parts are defined as belts and trimmer line. These parts are warranted to be free from defects in material and workmanship as delivered with the product. Any claim for repair or replacement of Normal Wear Parts must be made within thirty (30) days of the date of purchase. No claims involving damage caused from material use, abuse or misuse will be honored.

This **Murray, Inc. Two (2) Year Limited Warranty** is your exclusive remedy; however, this warranty is void or does not apply to any unit that has been tampered with, altered, misused, abused or used for rental or other commercial and/or professional (non-homeowner) uses. Your warranty does not cover minor mechanical adjustments which are not due to any defect in material or workmanship. For assistance in making such adjustments, consult your Instruction Book.

To make a claim under this **Murray, Inc. Two (2) Year Limited Warranty**, return the unit (or if authorized in advance, the defective part) along with your proof of purchase to an Authorized Service Center near you. To locate the nearest Authorized Service Center, call the Central Parts Distributor for your area shown in the list provided with your unit or check the Yellow Page listings in your local telephone directory. If you return the entire unit, we will repair the unit. If we authorize the return of the defective part only, we will either replace or repair the part.

This **Murray, Inc. Two (2) Year Limited Warranty** gives you specific legal rights, and you may also have other rights which vary from state to state. **This Limited Warranty is given in lieu of all other expressed and implied warranties including the implied warranty of merchantability and warranty of fitness for a particular purpose.** If you need additional information on this written warranty or assistance in obtaining service, call or write to the address below. The model number along with the CUSTOMER CARE Center 1-800 number is on the Model Number Nameplate attached to the unit.

MURRAY, INC.

Outdoor Power Equipment
Customer Service Department
P.O. Box 268
Brentwood, Tennessee 37027

SAFETY RULES

Safe Operation Practices for Trimmer.



WARNING: Look for this symbol to point out important safety precautions. It means: "Attention! Become Alert! Your Safety Is Involved."

I. General Operation

1. Read, understand, and follow all instructions on the machine and in the manual(s). Be thoroughly familiar with the controls and the proper use of the trimmer before starting.
2. Familiarize yourself with all of the safety and operating decals on this equipment and on any of its attachments or accessories.
3. Do not put hands or feet near or under rotating parts.
4. Only allow responsible individuals, who are familiar with the instructions, to operate the trimmer.
5. Inspect the area where the trimmer is to be used. Your equipment can propel small objects at high speed causing personal injury or property damage. Stay away from breakable objects, such as house windows, auto glass, greenhouses, etc.
6. Keep the area of operation clear of all persons, particularly small children, and pets.
7. Wear appropriate clothing such as a long-sleeved shirt or jacket. Also wear long trousers or slacks. Do not wear shorts.
8. Do not wear loose clothing which could get caught in this equipment.
9. Always wear safety goggles or safety glasses with side shields when operating trimmer to protect your eyes from foreign objects which can be thrown from the unit.
10. Always wear work gloves and sturdy footwear. Leather work shoes or short boots work well for most people. These will protect the operator's ankles and shins from small sticks, splinters, and other debris, and improve traction.
11. It is advisable to wear protective headgear to prevent the possibility of being struck by small flying particles, or being struck by low hanging branches, twigs, or other objects which may be unnoticed by the operator.
12. Do not operate the trimmer without proper guards or other safety protective devices in place.
13. Use this equipment for its intended purpose only.
14. See manufacturer's instructions for proper operation and installation of accessories.
15. Operate only in daylight or good artificial light.
16. Do not operate the trimmer while under the influence of alcohol, drugs or other medication which can cause drowsiness or affect your ability to operate this machine safely.
17. Never operate trimmer in wet grass. Always be sure of your footing; keep a firm hold on the handle and walk; never run.
18. Before each use, inspect the throttle control lever and cable. Make sure that the cable is free and that the lever is not damaged. Also check the cable linkage running to the carburetor for kinks, loose fittings, and obstructions. Verify that the control bail is working properly.
19. Stop the rotating trimmer head when crossing gravel drives, walks, or roads. Wait for the cutting lines to stop rotating.
20. Watch for traffic when operating near, or when crossing roads.
21. Stop the engine (motor) whenever you leave the equipment, before cleaning repairing or inspecting the unit, be sure the trimmer head and all moving parts have stopped. Let the engine cool, disconnect the spark plug wire and move it away from the spark plug.
22. If the equipment should start to vibrate abnormally, stop the engine (motor), disconnect the spark plug wire and prevent it from touching the spark plug. Check immediately for the cause. Vibration is generally a warning of trouble.
23. After striking a foreign object, stop the engine (motor). Remove the wire from the spark plug. Inspect the trimmer for damage. If damaged, repair before starting and operating the trimmer.
24. Never leave the trimmer unattended when the engine is running. Remove the wire from the spark plug.
25. Regularly inspect the trimmer. Make sure parts are not bent, damaged or loose.

II. Slope Operation

Slopes are a major factor related to slip and fall accidents which can result in severe injury. All

SAFETY RULES

slopes require extra caution. If you feel uneasy on a slope, do not trim it.

Do trim across the face of slopes; never up and down. Do not trim excessively steep slopes (maximum 15 degrees) or areas where the ground is very rough. See the "Guide" in the back of this manual to check a slope. Exercise extreme caution when changing direction on slopes.

Do remove objects such as rocks, tree limbs, etc.

Do watch for holes, ruts, or bumps. Tall grass can hide obstacles.

Do not trim near drop-offs, ditches, or embankments. The operator could lose footing or balance.

Do not trim excessively steep slopes.

Do not trim on wet grass. Reduced footing could cause slipping.

III. Children

Tragic accidents can occur if the operator is not alert to the presence of children. Children are often attracted to the trimmer and the trimming activity. *Never* assume that children will remain where you last saw them.

1. Keep children out of the trimming area and under the watchful care of a responsible adult.
2. Be alert and turn trimmer off if children enter the area.
3. Before and while moving backwards, look behind and down for small children.
4. Never allow children to operate the trimmer.
5. Use extra care when approaching blind corners, shrubs, trees, or other objects that may obscure vision.

IV. Service

1. Use extra care in handling gasoline and other fuels. They are flammable and vapors are explosive.
 - a. Use only an approved container.
 - b. Never remove gas cap or add fuel with the engine running. Allow engine to cool before refueling. Do not smoke.

- c. Never refuel the machine indoors.
- d. Never store the machine or fuel container inside where there is an open flame, such as a water heater.
2. Never run an engine indoors or inside a closed area.
3. Never make adjustments or repairs with the engine (motor) running. Disconnect the spark plug wire, and keep the wire away from the plug to prevent accidental starting (remove the ignition key if equipped with an electric start). Always wear eye protection when you make adjustments or repairs.
4. Check the trimmer head and engine mounting bolts at frequent intervals for proper tightness.
5. Keep all nuts and bolts tight and keep equipment in good condition. Check mounting hardware on trimmer head every time you change trimmer line and prior to each use.
6. Never tamper with safety devices. Check their proper operation regularly.
7. When servicing or repairing the trimmer, do not tip the machine over or up unless specifically instructed to do so in this Manual. Service and repair procedures can be done with the trimmer in an upright position. Some procedures will be easier if the machine is lifted on a raised platform or working surface.
8. To reduce fire hazard, keep trimmer free of grass, leaves, or other debris build-up. Clean up oil or fuel spillage. Allow trimmer to cool before storing.
9. Stop and inspect the equipment if you strike an object. Repair, if necessary, before restarting.
10. Always disconnect spark plug wire before cleaning, repairing, or adjusting.
11. Do not change the engine governor setting or over-speed the engine.
12. Clean and replace safety and instruction decals as necessary.
13. To guard against engine over-heating, always have engine debris filter mounted and clean.
14. Inspect trimmer before storage.
15. Use only original equipment or authorized replacement parts.

SAFETY RULES

INTERNATIONAL SYMBOLS

IMPORTANT: Many of the following symbols are located on your unit or on literature supplied with the product. Before you operate the unit, learn and understand the purpose for each symbol.

Control And Operating Symbols



Slow



Fast



Fuel



Oil

Safety Warning Symbols



WARNING
Thrown Objects.
Keep Bystanders Away.



WARNING
Rotating Parts. Stop Engine.
Disconnect Spark Wire Before
Making Adjustments.



WARNING



IMPORTANT
Read Owner's Manual
Before Operating
This Machine.



WARNING
Wear Eye Protection



STOP



WARNING
Never Operate Up Or
Down Slopes. Operate
Across Slopes.

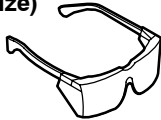
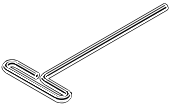
ASSEMBLY

ASSEMBLY

CONTENTS OF PARTS BAG

- 1 - Owner's Manual
- 1 - Parts Bag
- 1 - Fuel Stabilizer

(Not shown actual size)



1 - T-Handle Wrench

1 - Safety Glasses

1 - 20 oz. Bottle Oil

2 Sets - Trimmer Lines
(0.155 inch diameter)



WARNING: Always wear safety glasses or eye shields while assembling the trimmer.

TOOLS REQUIRED

- 1 - Knife to cut carton.
- 1 - T-Handle Wrench.

Figure 1 shows the trimmer completely assembled and positioned in the carton for shipment.

References to the right or left hand side of the trimmer are from the viewpoint of the operator's position behind the unit.

TO REMOVE THE TRIMMER FROM CARTON

1. Remove the bottle of oil and parts bag from the carton.
2. Remove the packing material positioned around the unit.
3. Cut down all four corners of the carton and lay the side panels flat.
4. Pull the trimmer out of the carton and off the base pad.
5. Remove packing material from around the trimmer head.
6. Remove protective plastic from front of frame.

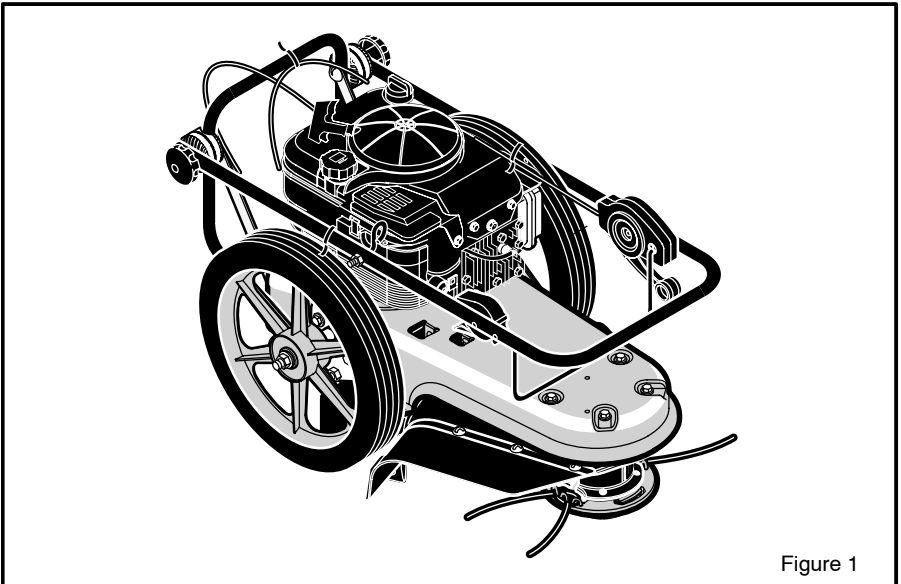


Figure 1

ASSEMBLY

HOW TO RAISE THE HANDLE

1. Hold the **handle** with one hand and loosen both **handle adjustment knobs** until the ratchet teeth are disengaged. Do not remove the **handle adjustment knobs**. See Figure 2.
2. Raise the **handle** to the operating position.
3. Stand in the operator's position behind the trimmer. Put the **handle** in a comfortable position. Make sure both sides of the **handle** are level.

NOTE: Make sure the cables are not caught between the upper and lower handle.

4. Tighten the **handle adjustment knobs**. Make sure the **handle pivots** are locked in place.

NOTE: The handle height is adjustable. See "How To Adjust The Height Of The Handle" in the Adjustment section.

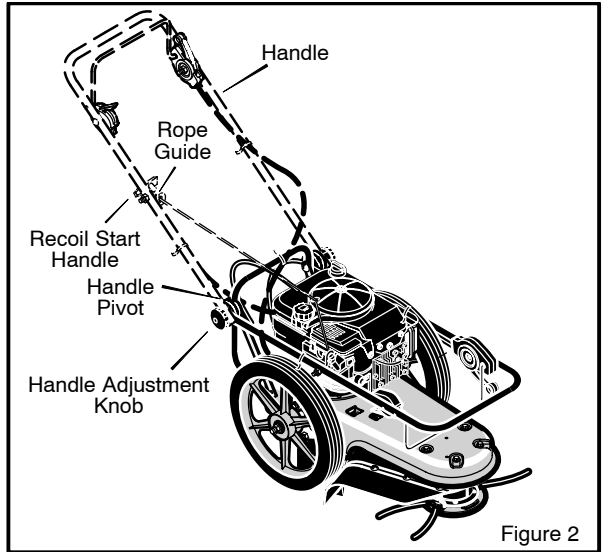


Figure 2

5. To attach the **recoil start handle** to the **rope guide**, twist the rope through the **rope guide** mounted on the right side of the handle.

ENGINE PREPARATION

Note: Engine does not contain OIL or GASOLINE.



WARNING: Follow the engine manufacturer's instructions for the type of gasoline and oil to use. Always use a safety gasoline container. Do not smoke when adding gasoline to the engine. When inside an enclosure, do not fill with gasoline. Before you add gasoline, stop the engine. Let the engine cool for several minutes.

See the engine manufacturer's instructions for the type of gasoline and oil to use. Before you use the unit, read the information on safety, operation, maintenance, and storage.

Note: Actual sustained horsepower will likely be lower due to operating limitations and environmental factors.

Fill Crankcase With Oil

1. Remove the oil fill cap/dipstick shown in Figure 3. Fill the crankcase to the **FULL** line on oil fill cap/dipstick. **DO NOT OVER-FILL.**
2. Install the oil fill cap/dipstick and tighten securely.

Fill Fuel Tank With Gasoline

See the engine manufacturer's instructions for the type of gasoline to use.

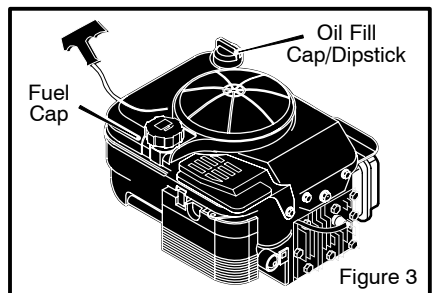


Figure 3

OPERATION

KNOW YOUR TRIMMER

READ THE OWNER'S MANUAL AND ALL SAFETY RULES BEFORE YOU OPERATE the trimmer. To familiarize yourself with the location of the controls, compare the illustrations with your trimmer. **Save this manual for future reference.**

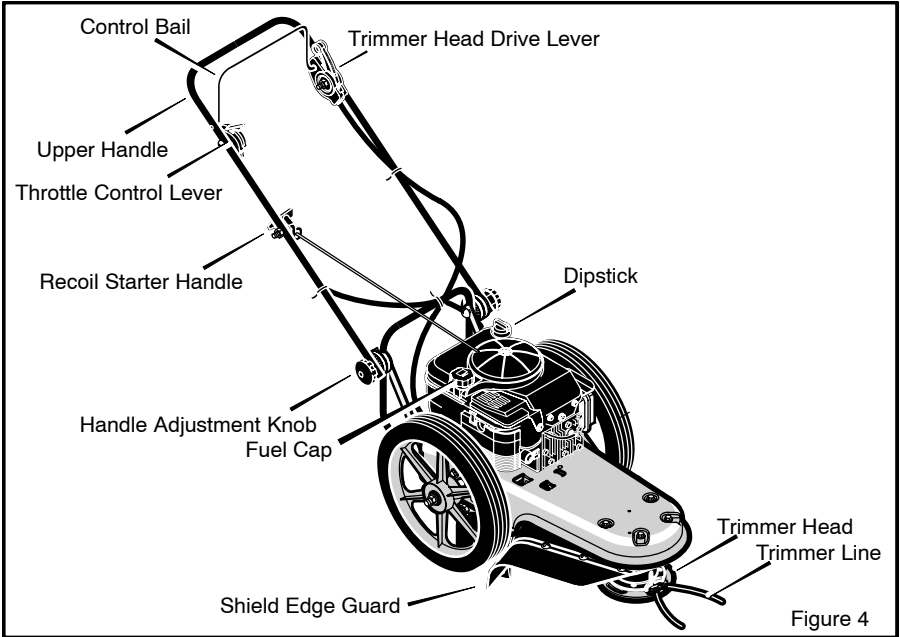


Figure 4

Trimmer Head Drive Lever - Engages the rotation of the trimmer head.

Control Bail - Release to stop the rotation of the trimmer head.

Throttle Control Lever - Controls the speed or stops the engine.

Primer Button - Injects fuel directly into the

carburetor manifold for faster starts. See Figure 7.

Recoil Starter Handle - The engine is equipped with an easy pull recoil starter.

Shield Edge Guard - Protects the shield by automatically cutting the line to the correct length.

EYE PROTECTION



WARNING: Debris thrown from the trimmer can result in foreign objects being thrown into the eyes, which can cause severe eye damage. Always wear safety glasses or eye shields when operating the trimmer.

Always wear safety glasses. If you wear eye glasses, put a Wide Vision Safety Mask over your eye glasses.

HOW TO STOP THE TRIMMER HEAD

1. Release the **control bail**. It will return to its open position and disengage the trimmer head.

HOW TO STOP THE ENGINE



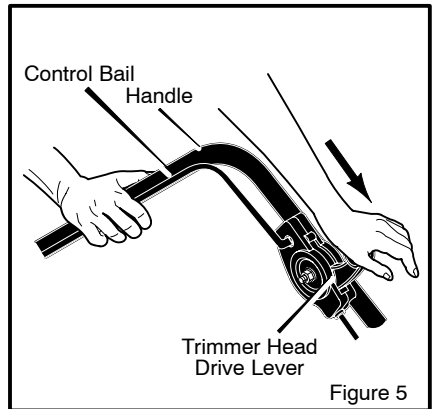
WARNING: The trimmer head will continue to rotate for several seconds after the engine has stopped

1. Move the **throttle control lever** completely back to the STOP position.

OPERATION

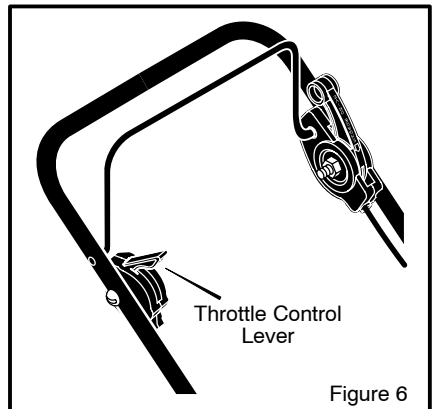
HOW TO USE THE TRIMMER HEAD DRIVE LEVER

1. To engage the trimmer head, hold the **control bail** against the **handle**. Move the **trimmer head drive lever** forward to engage the trimmer head. See Figure 5. The faster the engine runs, the faster the trimmer head will rotate.
2. Once the trimmer head is rotating, push the trimmer forward to trim.



HOW TO USE THE THROTTLE CONTROL

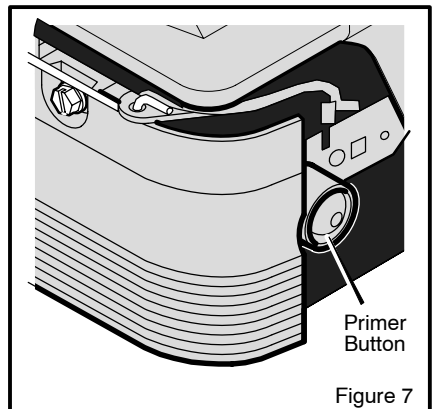
1. During normal use, set the **throttle control lever** in the FAST position to run the engine at full speed.
2. Pull the **throttle control lever** back to decrease engine speed. Push the **throttle control lever** forward to increase engine speed.
3. To stop the engine, pull the **throttle control lever** completely back to the STOP position.



HOW TO USE THE PRIMER BUTTON

1. Push the **primer button** five times. See Figure 7 for location. Wait approximately two seconds between each push.

NOTE: Do not use the primer button to restart a warm engine after a short shutdown.



OPERATION

HOW TO START THE ENGINE

NOTE: DO NOT BE ALARMED, your engine will smoke the first time it is started. It is burning off the protective coating that is on the internal engine parts.



WARNING: Never leave the trimmer unattended while the engine is running. Wait for the trimmer lines to stop rotation.

1. Before each use, remove debris from the **debris screen** shown in NO TAG. Debris can cause the engine to overheat. Wipe the **debris screen** with a cloth or paper towel.
2. Move the throttle control lever forward to the START or FAST position.
3. To start a cold engine, push the primer button five times. Wait two seconds between each push of the primer button.

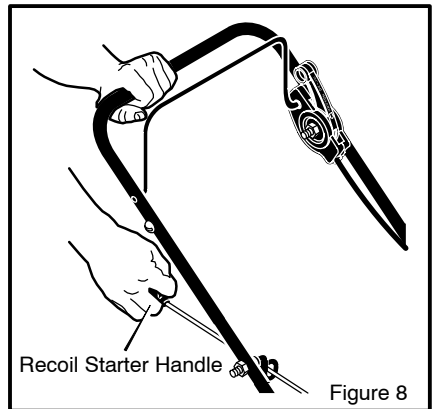
NOTE: Do not use the primer to start a warm engine.

4. Firmly hold the **recoil starter handle** with your right hand. See Figure 8.
5. Pull back sharply on the **recoil starter handle**. **DO NOT** allow the starter rope to snap back. Let the starter rope slowly re-wind as you hold the recoil starter handle.

NOTE: If engine fails to start after three pulls, push the primer button two times and again pull the recoil starter handle.



WARNING: Never run the engine indoors or in a poorly ventilated area. Engine exhaust contains carbon monoxide, an odorless and deadly gas. Keep hands, feet, hair and loose clothing away from the trimmer and any moving parts on the engine. Avoid the muffler and surrounding areas. Temperatures may exceed 150°F.



TRIMMER TIPS



WARNING: Debris such as sticks, gravel or rocks, can be thrown with sufficient force to cause personal injury or property damage.

- Set the throttle control in the FAST position. If the weeds or grass are tall and thick, operate the trimmer at a slower walking speed.
 - Frequently clean the underside of the trimmer to remove any grass build up. See the Maintenance section for details.
 - For best results and longer lasting line, use the ends of the line to do the cutting. This is easily done by moving slowly through very thick or heavy weeds.
 - If the trimmer lines become too short, it will
- F-050204L

take longer to complete the job. If the trimmer lines are worn to less than half their original length, change to a new trimmer line. "See How To Change The Trimmer Line" in the Service And Adjustment section.

- Do not trim on excessively steep slopes. If a slope is difficult to stand on, do not trim. Do not trim on slopes when the ground is slippery or wet. Trim across the face of a slope, not up and down.
- Trimmer head contact to concrete, asphalt and harder services may create premature wear to the **height guide** (See Figure 13).

MAINTENANCE

CUSTOMER RESPONSIBILITIES

SERVICE RECORDS Fill in dates as you complete regular service.	Before	Every	Every	Every	As	SERVICE DATES
	Each Use	5 Hours	25 Hours	100 Hours	Noted	
Check Engine Oil Level	√					
Check trimmer Lines	√				1	
Check Trimmer Head Engagement	√					
Engine/Machine Cleaning	√				2	
Check Nuts and Bolts	√					
Check Spark Plug			√			
Change Engine Oil			√			
Service Air Filter			√		3	
Lubricate Jackshaft Assembly			√			
Lubricate Wheel Bearings			√			

Note 1 - When old line is half the original length, replace with new line.

Note 2 - Clean daily if used in extremely dusty or dirty conditions.

Note 3 - Change more often if used in extremely dusty or dirty conditions.

PRODUCT SPECIFICATIONS

Trimmer Line Diameter	0.155 inch
Trimmer Line Length	21.5 inches
Horse Power	6

GENERAL RECOMMENDATIONS

The warranty on this trimmer does not cover items that have been subjected to operator abuse or negligence. To receive full value from the warranty, the operator must maintain the trimmer as instructed in this manual.

Some adjustments must be made periodically to properly maintain your trimmer.

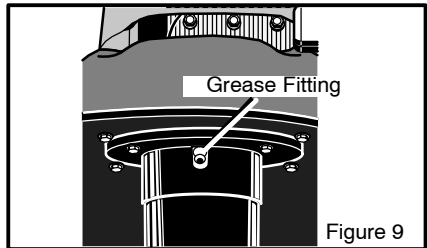
All adjustments in the Service and Adjustments section of this manual must be checked at least once each season.

MAINTENANCE

LUBRICATION

How To Lubricate The Jackshaft Assembly

A **grease fitting** is provided to lubricate the jackshaft assembly. Use a grease gun with automotive type grease to lubricate the jackshaft assembly as shown in Figure 9.

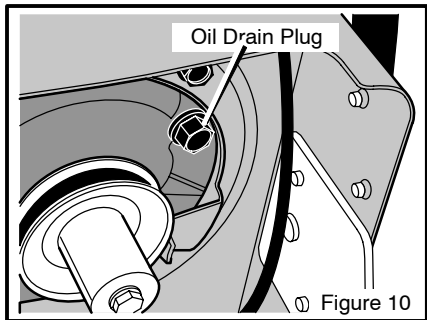


How To Change Engine Oil

Change the engine oil when the engine is warm. For the proper oil capacity, see the engine manufacturer's instructions.

1. Disconnect spark plug wire from the spark plug.
2. Remove the **oil drain plug** as shown in Figure 10.
3. Drain all the engine oil into a flat pan.
4. Install the **oil drain plug**. Make sure the **oil drain plug** is tight.
5. Remove the dipstick.
6. Fill the engine crankcase. **DO NOT OVERFILL**. For proper oil capacity, see the engine manufacturer's instructions.

7. Connect the spark plug wire to the spark plug.



SERVICE AND ADJUSTMENT

SERVICE AND ADJUSTMENT

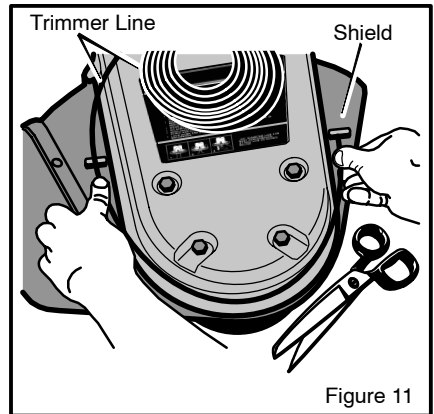


WARNING: Before you inspect, clean or service the trimmer, stop the engine. Make sure that all moving parts have stopped. Disconnect the wire from the spark plug.

HOW TO REPLACE THE TRIMMER LINE

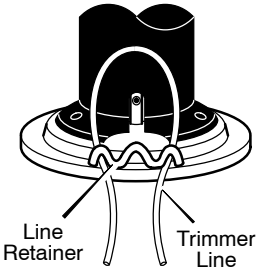
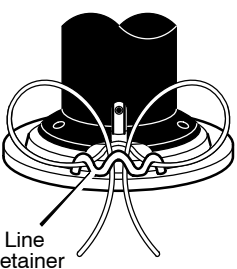
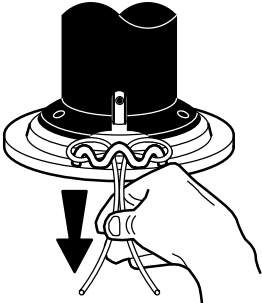
For the best performance, use a heavy gauge (0.155" diameter) **trimmer line**. Cut the length of the **trimmer line** to 21.5 inches. Use the length guide, located on the **shield**, to make sure the **trimmer line** is the correct length. See Figure 11. Do not allow the length of the lines to vary more than one inch. This is important to make sure the trimmer head is balanced and does not vibrate.

IMPORTANT: To extend the life of the trimmer line, keep the trimmer line moist. If not kept moist, the nylon trimmer line will become dry and brittle. Keep extra trimmer line in a can of water. The line will then stay flexible and easy to change. A flexible line will also last much longer.



HOW TO CHANGE TRIMMER LINES

When the trimmer line becomes worn to half the original length, replace the trimmer line as follows:

 <ol style="list-style-type: none">1. Stop the engine. Wait for all moving parts to stop.2. Remove worn trimmer line from line retainer.3. First, thread the ends of the new trimmer line through the outside loops.	 <ol style="list-style-type: none">4. Next, take the ends of the line, cross over the line retainer, and thread the ends through the center hole.	 <ol style="list-style-type: none">5. Then, check to make sure that the ends of the line are even.
---	---	---

SERVICE AND ADJUSTMENT

HOW TO ADJUST THE HEIGHT OF THE HANDLE

Use the **knobs**, on each side of the **handle**, to adjust the height of the handle.

1. Hold the **handle** with one hand and loosen both **knobs** until the **ratchet teeth** are disengaged. Do not remove the **knobs**. See Figure 12.
2. Move the **handle** up or down to the desired position, then align the **ratchet teeth**. Make sure both sides of the **handle** are level.
3. Tighten the **knobs**.

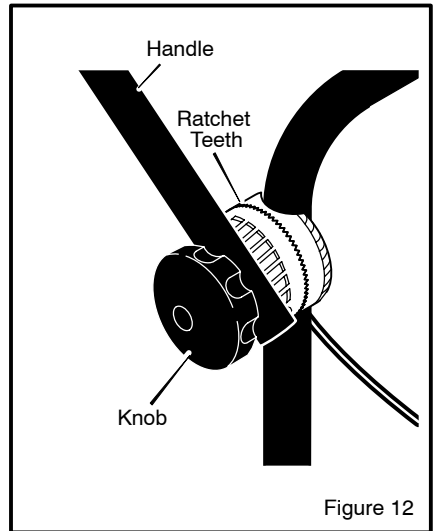


Figure 12

HOW TO SET THE HEIGHT OF CUT



CAUTION: Before you set the height of cut: stop the engine. Wait for all moving parts to stop. Allow the engine to cool and disconnect the spark plug wire.

The height of cut can be set from 1-1/2 inches to 3 inches. Recommended cutting height for the average yard is 2".

1. Use the **T-wrench**, found in the parts bag, to loosen the **set screw** shown in Figure 13.
2. Set the **trimmer head** at the desired height.
3. Tighten the **set screw**.

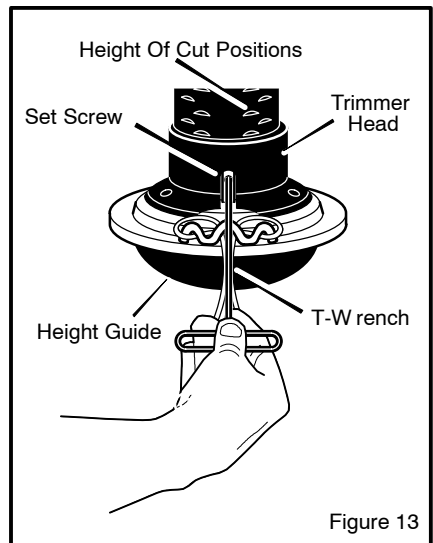


Figure 13

SERVICE AND ADJUSTMENT

HOW TO REPLACE THE DRIVE BELT

To replace the drive belt, the trimmer head and shield must be removed as follows.



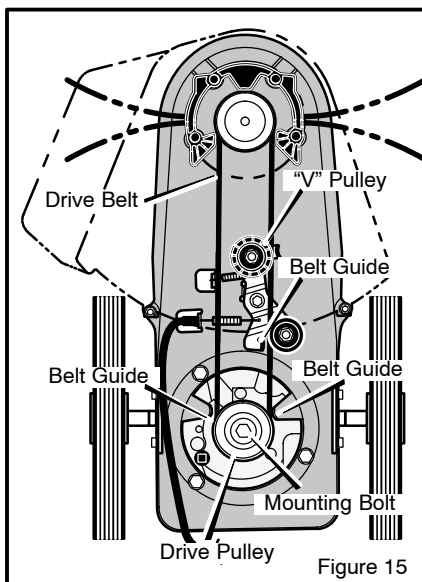
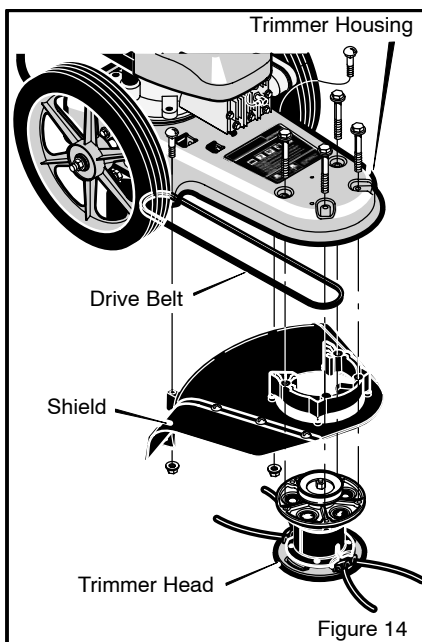
WARNING: Before you remove the drive belt, disconnect the wire from the spark plug.

1. Remove the two fasteners that hold the rear of the **shield** to the **trimmer housing** (See Figure 14).
2. Remove the four fasteners that hold the front of the **shield** and **trimmer head** to the **trimmer housing**.
3. Remove the "V" pulley from the idler bracket.
4. Raise the front of the **trimmer housing** and remove the **drive belt**. On some models, it is necessary to loosen the **mounting bolt** for the **drive pulley** to remove the drive belt (see Figure 15). Do not bend the belt guides.

NOTE: Make sure you replace the drive belt only with a replacement belt from the factory.

5. To assemble the **drive belt**, reverse the above steps. Make sure all fasteners are tight. Make sure the **mounting bolt** for the **drive pulley** is tight.
6. Check the routing of the **drive belt**. Make sure the **drive belt** is inside of all **belt guides** shown in Figure 15.

IMPORTANT: Test the drive system. Start the engine and move the throttle control to the **FAST** position. Engage and disengage the trimmer head several times. When disengaged, make sure the trimmer head completely stops when resting on the ground. If the trimmer head continues to rotate, take the trimmer to an authorized Service Center.



SERVICE AND ADJUSTMENT

STORAGE



WARNING: Do not remove gasoline while inside a building, near a fire, or while you smoke. Gasoline fumes can cause an explosion or a fire.

When the trimmer is put in storage for thirty days or more, follow the steps below to make sure the trimmer is in good condition the following season.

Trimmer

- Completely clean the trimmer.
- Put the trimmer in a building that has good ventilation.

NOTE: A yearly checkup or tune-up at an authorized service center will make sure that the trimmer will provide maximum performance for the next season.

Engine

IMPORTANT: It is important to prevent gum deposits from forming in fuel system parts such as the carburetor, fuel filter, fuel hose, and tank during storage. Also, using alcohol-blended fuels (called gasohol, ethanol or methanol) can attract moisture which leads to separation and formation of acids

during storage. Acidic gas can damage the fuel system of an engine while in storage.

To prevent engine damage when the trimmer is in storage for 30 days or more, follow the steps below:

- Let the engine run until it is out of gasoline.
- Drain the oil from the warm engine. Fill the engine crankcase with new oil.
- Remove the spark plug from the cylinder. Pour one ounce of oil into the cylinder. Slowly pull the recoil starter handle so that the oil will protect the cylinder. Install a new spark plug in the cylinder.
- Clean dirt and debris from the cylinder cooling fins and the engine housing.
- If you do not want to remove gasoline, add a fuel stabilizer to any gasoline left in the tank. Fuel stabilizer will minimize the formation of gum deposits and acids. If the tank is almost empty, mix the fuel stabilizer with fresh gasoline in a separate container and add the mixture to the tank. Always follow the instructions on the stabilizer container. Run the engine at least ten minutes after stabilizer is added to allow the mixture to reach the carburetor.

TROUBLE SHOOTING CHART

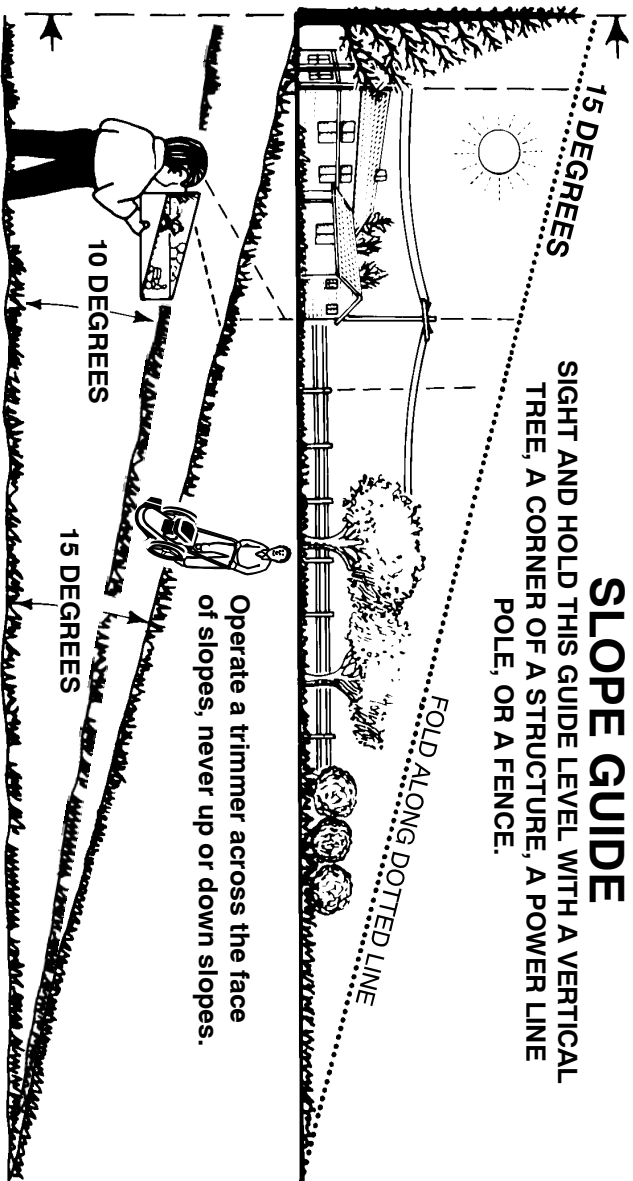
TROUBLE	CAUSE	CORRECTION
Engine does not start	Spark plug wire disconnected.	Connect spark plug wire.
	Engine not primed.	Prime engine.
	Defective or incorrectly gapped spark plug.	Inspect or replace spark plug.
	Fuel tank empty.	Add fuel.
	Dirty carburetor or fuel line.	Clean carburetor or fuel line.
	Dirty air filter.	Replace air filter.
	Carburetor out of adjustment.	For carburetor adjustment, take the unit to an authorized Service Center.
	Engine flooded.	Wait several minutes before starting.
	Throttle control lever in incorrect position.	Move throttle lever to FAST or START position.
	Stale gasoline.	Drain old gasoline and add fresh gasoline.
	Defective throttle control lever or wire.	Inspect lever and wire. Replace if damaged or defective.
Engine runs poorly.	Bad spark plug.	Replace spark plug.
	Dirty air filter.	Replace air filter.
	Carburetor out of adjustment.	Adjust carburetor. Take the unit to an authorized Service Center.
	Stale gasoline.	Drain old gasoline. Add fresh gasoline.
	Engine cooling system clogged.	Clean engine screen and cooling fins.

TROUBLE SHOOTING CHART

Engine overheats.	Engine cooling system clogged.	Clean debris screen and engine cooling fins.
	Carburetor out of adjustment.	Adjust carburetor. Take the unit to an authorized Service Center.
	Oil level is low.	Add oil.
Engine will not stop running.	Defective throttle control lever or wire.	Inspect and replace damaged parts.
	Throttle not adjusted properly.	Move throttle to the full OFF position.
Poor trimming performance.	Trimmer line length is too short.	Correct line length is 21.5 inches. When less than 1/2 this length, replace the line.
	Engine not set at FAST speed.	Move engine throttle lever to FAST position.
Trimmer vibrates.	Set screw for trimmer head is loose.	Tighten set screw with T-handle wrench.
	Trimmer line lengths are substantially different.	Adjust trimmer line to approximately equal lengths.
	Loose nuts or bolts.	Check all bolts and nuts, including engine bolts.
	Broken trimmer head.	Replace broken part.
Trimmer head does not retain line	Trimmer line not properly attached.	Follow instructions on decal or in the Service section of the owner's manual.
	Broken line retainer.	Replace trimmer head assembly.
	Trimmer line not correct size.	Use a 0.155 inch diameter trimmer line.

SLOPE GUIDE

SIGHT AND HOLD THIS GUIDE LEVEL WITH A VERTICAL TREE, A CORNER OF A STRUCTURE, A POWER LINE POLE, OR A FENCE.



Use this guide and do not trim on a slope greater than 15 degrees.

A 10 degree slope is a hill that increases in height at approximately 1.7 feet in 10 feet..

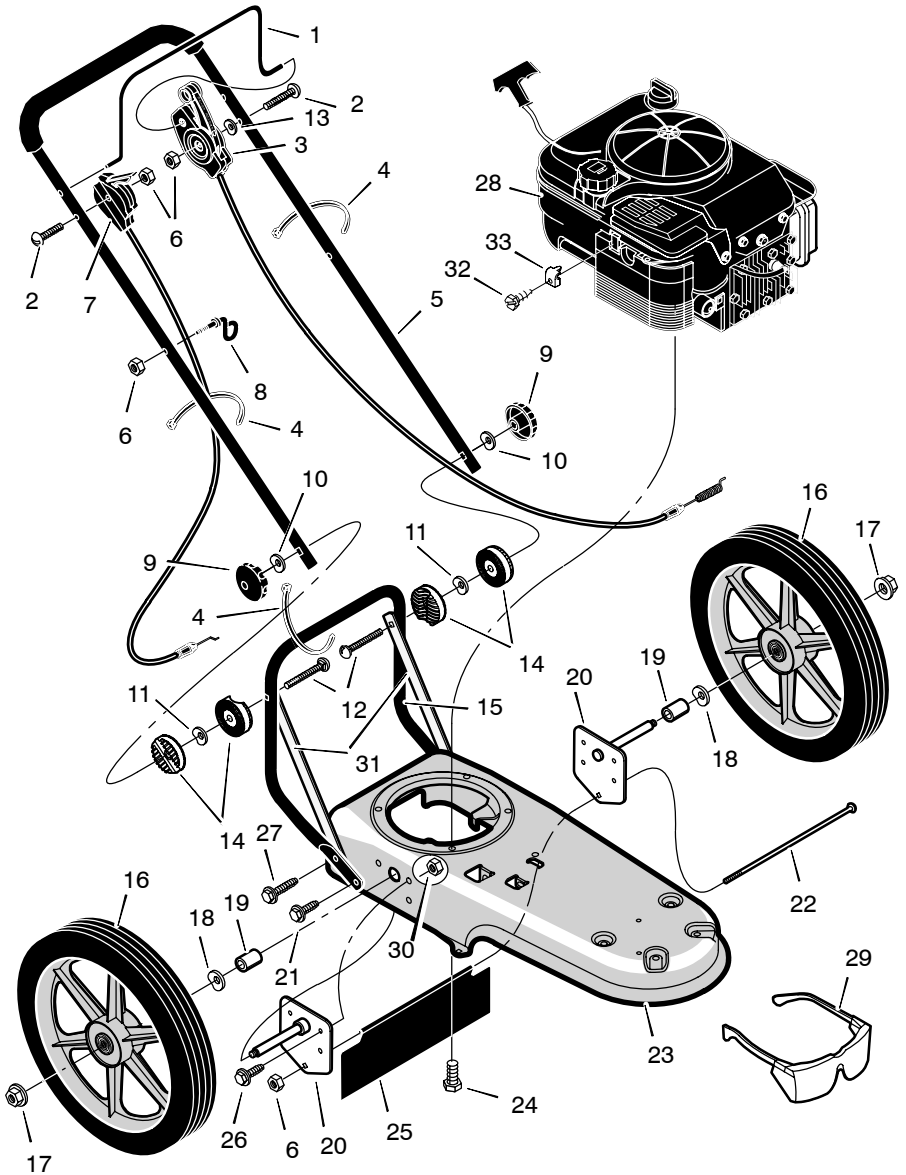
A 15 degree slope is a hill that increases in height at approximately 2.5 feet in 10 feet..



Use extreme care at all times and avoid sudden turns or maneuvers. Follow other instructions in this manual for safety in trimming on slopes. Operate a trimmer across the face of slopes, never up or down slopes. Use extra care when operating on or near slopes and obstructions.

MODEL TM6100x5A

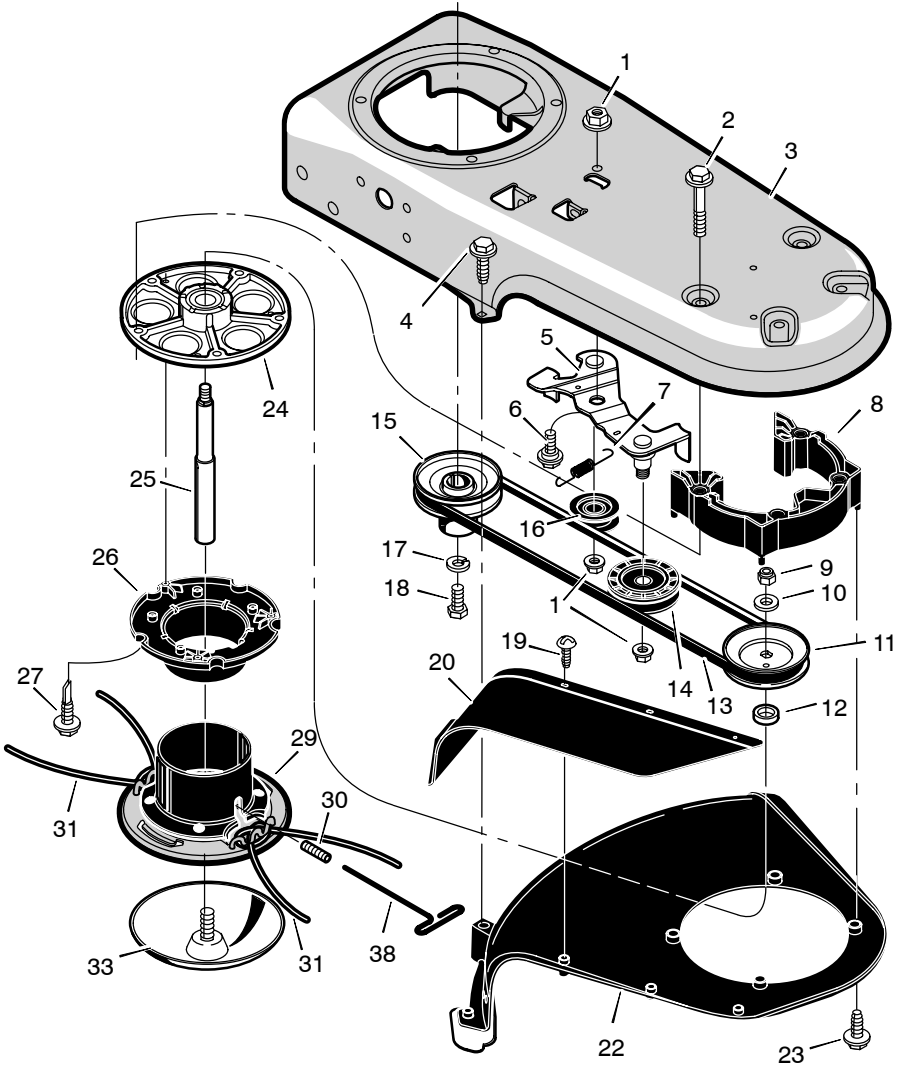
REPAIR PARTS



Key No.	Part No.	Description
1	740198E276	Lever, Stop
2	323035	Bolt
3	740193	Cable, Control Latching
4	071372	Tie, Cable
5	740196E701	Handlebar
6	15x116	Nut
7	1601039	Control, Throttle
8	672510	Guide, Rope
9	740202	Knob, Handlebar
10	783000	Washer
11	711936	Washer, Spring
12	711937	Bolt
13	672292	Spacer
14	740158	Pivot, Handlebar
15	740195E701	Handlebar, Lower
16	740185	Wheel & Tire
17	015x84	Nut, Axle
18	0020x3	Washer, Spring
19	740190	Spacer
20	740188	Assembly, Axle & Bracket
21	26x274	Screw
22	711935	Bolt, Carriage
23	740150E276	Frame
24	025x6	Bolt
25	740192	Shield, Trailing
26	001x45	Bolt
27	26x267	Screw
28	- - - - -	Engine
29	711890	Glasses, Safety
30	015x88	Nut
31	1601040	Support, Handle
32	26x268	Screw
33	042294	Clamp, Throttle
--	F-050204L	Instruction Book & Parts List

MODEL TM6100x5A

REPAIR PARTS



KEY NO.	PART NO.	DESCRIPTION
1	015x84	Nut
2	025x11	Screw
3	740150E276	Deck
4	26x256	Screw
5	740231 Z	Bracket, Idler Assembly
6	009x48	Bolt
7	712403	Spring, Extension
8	740292	Spacer Assembly, Jackshaft
9	712148	Nut
10	17x104	Washer, Flat
11	740171	Pulley, Cutting Head
12	740173	Spacer, Upper Pulley
13	711933	Belt, Trimmer
14	740244	"V" Pulley
15	740179	Pulley, Engine
16	740183	Pulley, Idler
17	018x31	Lockwasher
18	001x20	Bolt
19	26x235	Screw
20	740167	Flap, Debris
22	740205	Shield, Trimmer
23	26x294	Screw
24	1001049	Housing, Jackshaft
25	740300	Shaft, Cutting Head
26	740163	Wrap, Weed
27	712126	Screw
29	740175E276	Assembly, Cutter Head & Wrap
30	712127	Screw, Set
31	740165	Line, Trimmer 0.155 X 21.25
33	740299	Guide, Metal Height
38	712128	Wrench, T-Handle (found in parts bag)

HOW TO ORDER REPAIR PARTS

Only use a factory repair part. Repair parts, except for the engine or the transmission, are available from the store where the unit was purchased, a service shop recommended by the store, or an authorized service shop found in the yellow pages of the telephone directory. If you cannot get a repair part or service as described above, call or write to the Central Parts Distributor shown below. When you order, include the following information: (1) Complete Model Number (see nameplate), (2) Date of Manufacture, (3) Complete Part Number, (4) Description, (5) Quantity.

Repair parts for the engine or the transmission are available from the manufacturer's authorized service center found in the yellow pages of the telephone directory. See the individual engine or transmission warranties.

MURRAY, INC. LAWN MOWER CENTRAL PARTS DISTRIBUTORS

BILLIOUS'S, INC.

1343 South Main St.
Porterville, CA 93257
(559)784-4102 1-877-245-5468
FAX 1-800-266-7337
www.billious.com
*Arizona, California, Hawaii,
Nevada*

BROWN & WISER, INC.

9991 S.W. Avery Street
Tualatin, OR 97062
(503)692-0330 1-800-882-4782
FAX (503)691-2041
Alaska, Idaho (counties Ada,
Adams, Benewah, Boise, Bonner,
Boudry, Canyon, Clearwater,
Elmore, Gem, Idaho, Kooten,
Latah, Lewis, NEZ Perce, Owyee,
Payette, Ravalli, Shoshone, Valley,
Washington), *Montana* (counties
Flathead, Lake, Lincoln, Mineral,
Missoula, Ravalli, Sanders),
Oregon, Washington

CPT CANADA POWER TECHNOLOGY LIMITED

Mississauga
161 Watline Avenue
Mississauga, Ontario
L4Z-1P2
(905)890-6900 1-800-861-9559

Edmonton

101-10411-178 Street
Edmonton, Alberta
T5S 1R5
(780)453-5791 1-800-861-9559

Ville St-Laurent

234 Mignerone Street
Ville St-Laurent, Quebec
H4T 1Y7
(514)731-3559 1-800-861-9559
Canada

GARDNER, INC.

3641 Interchange Road
Columbus, OH 43204
1-800-848-8946
FAX 1-800-626-4735
*Alabama, Connecticut, Delaware,
District of Columbia, Florida,
Georgia, Illinois, Indiana,
Kentucky, Louisiana, Maine,
Maryland, Massachusetts,
Michigan* (except upper
Peninsula), *Mississippi, New
Hampshire, New Jersey, New
York, North Carolina, Ohio,
Pennsylvania, Rhode Island,
South Carolina, Tennessee,
Vermont, Virginia, West Virginia*

Puerto Rico

GULF COAST ENGINE, INC.

4202 Russell Dr.
Corpus Christi, TX 78408
1-800-825-6999
FAX (888)888-7036
*New Mexico, Oklahoma, Texas,
Mexico*

OSCAR WILSON ENGINE & PARTS, INC. ENGINE, INC.

826 Lone Star Drive.
O'Fallon, MO 63366
1-800-873-6722 or
1-634-978-1313
FAX: 1-800-873-6720
*Arkansas, Iowa, Kansas,
Missouri, Nebraska*

WISCONSIN MAGNETO

1000 W. Dongs Bay Road
Suite 100
Mequon, WI 53092-5920
1-800-733-7388
FAX 1-800-733-0127
Michigan (upper Peninsula),
*Minnesota, North Dakota, South
Dakota, Wisconsin*

Free Manuals Download Website

<http://myh66.com>

<http://usermanuals.us>

<http://www.somanuals.com>

<http://www.4manuals.cc>

<http://www.manual-lib.com>

<http://www.404manual.com>

<http://www.luxmanual.com>

<http://aubethermostatmanual.com>

Golf course search by state

<http://golfingnear.com>

Email search by domain

<http://emailbydomain.com>

Auto manuals search

<http://auto.somanuals.com>

TV manuals search

<http://tv.somanuals.com>