

INSTALLER : THESE INSTRUCTIONS MUST BE CONVEYED TO AND REMAIN WITH THE HOMEOWNER.

CERTIFIED UNDER U.S. ENVIRONMENTAL PROTECTION AGENCY (E.P.A.) JULY 1990 AND THE OREGON DEPARTMENT OF ENVIRONMENTAL QUALITY (D.E.Q.) PARTICULATE EMISSION STANDARDS BY E.E.M.C. THESE STOVES HAVE BEEN TESTED AND LISTED BY WARNOCK HERSEY LTD. TO STANDARDS : UL 1482 / ULC-S627.
MODEL 1600C-1 HAS BEEN TESTED AND LISTED FOR INSTALLATION IN MOBILE HOMES.



**INSTALLATION AND OPERATION INSTRUCTIONS FOR
LISTED SOLID FUEL BURNING SPACE HEATER
MODEL : 1600C-1**

WARNING :

**Please read this entire manual before you install and use your new room heater. Failure to follow instructions may result in property damage, bodily injury, or even death.
If this stove is not properly installed, a house fire may result.**

FOR YOUR SAFETY :

Follow the installation directions. This stove can be very hot when burning. Combustible materials such as firewood, wet clothing, etc. placed too close can catch fire. Children and pets must be kept from touching the stove when it is hot. The chimney must be sound and free of cracks. Before installing this unit, contact the local building or fire authority and follow their guidelines.

Operate only with door tightly closed. The door must be kept closed during operation to prevent smoke, embers from entering the room. Burn wood directly on cast grate supplied. Do not elevate the fire. An opening of at least 14 square inches (90 sq.cm.) of outside air must be admitted to the room. This stove is designed to burn natural wood only. Higher efficiencies and lower emissions generally result when burning air dried seasoned hardwoods, as compared to softwoods or too green or freshly cut hardwoods. Do not start a fire with chemicals or fluids such as gasoline, engine oil, etc. Do not burn treated wood, coal, charcoal, coloured paper, cardboard, solvents or garbage which tend to produce more pollution than wood. Do not let the stove become hot enough for any part to glow red.

KEEP THE STOVE TOP TEMPERATURE BELOW 700 °F (371 °C). Attempts to achieve heat output rates that exceed stove design specifications can result in metal distortion and damage.

**Wolf Steel Ltd., 24 Napoleon Rd.,
Barrie, ON., Canada L4M 4Y8 (705)721-1212**

Fax : (705)722-6031

www.napoleonfireplaces.com

Email : ask@napoleon.on.ca



NAPOLEON wood fireplaces are manufactured under the strict Standard of the World Recognized ISO 9001 : 2000 Quality Assurance Certificate.

NAPOLEON products are designed with superior components and materials, assembled by trained craftsmen who take great pride in their work. The complete fireplace is thoroughly inspected by a qualified technician before packaging to ensure that you, the customer, receives the quality product that you expect from NAPOLEON.

NAPOLEON WOOD FIREPLACE PRESIDENT'S LIFETIME LIMITED WARRANTY

The following materials and workmanship in your new NAPOLEON wood fireplace are warranted against defects for as long as you own the fireplace. This covers : combustion chamber, heat exchanger, ceramic glass (thermal breakage only), porcelainized enamelled components, and cast iron castings.

Electrical (110V) components and wearable parts such as blowers, thermal switch, switches, wiring, firebrick, grate, baffle, gasketing and high temperature paint are covered and NAPOLEON will provide replacement parts free of charge during the first year of the limited warranty.

Labour related to warranty repair is covered free of charge during the first year. Repair work, however, requires the prior approval of an authorized company official. Labour costs to the account of NAPOLEON are based on a predetermined rate schedule and any repair work must be done through an authorized NAPOLEON dealer.

CONDITIONS AND LIMITATIONS

NAPOLEON warrants its products against manufacturing defects to the original purchaser only — i.e., the individual or legal entity (registered customer) whose name appears on the warranty registration card filed with NAPOLEON — provided that the purchase was made through an authorized NAPOLEON dealer and is subject to the following conditions and limitations.

This factory warranty is non-transferable and may not be extended whatsoever by any of our representatives.

The wood fireplace must be installed by an authorized service technician or contractor. Installation must be done in accordance with the installation instructions included with the product and all local and national building and fire codes.

This limited warranty does not cover damages caused by misuse, lack of maintenance, accident, alterations, abuse or neglect and parts installed from other manufacturers will nullify this warranty.

This limited warranty further does not cover any scratches, dents, corrosion or discolouring caused by excessive heat, abrasive and chemical cleaners nor chipping on porcelain enamel parts, nor any venting components used in the installation of the fireplace.

In the first year only, this warranty extends to the repair or replacement of warranted parts which are defective in material or workmanship provided that the product has been operated in accordance with the operation instructions and under normal conditions.

After the first year, with respect to the President's Limited Lifetime Warranty, NAPOLEON may, at its discretion, fully discharge all obligations with respect to this warranty by refunding to the original warranted purchaser the wholesale price of any warranted but defective part(s).

After the first year, NAPOLEON will not be responsible for installation, labour or any other costs or expenses related to the reinstallation of a warranted part, and such expenses are not covered by this warranty.

Notwithstanding any provisions contained in the President's Limited Lifetime Warranty, NAPOLEON'S responsibility under this warranty is defined as above and it shall not in any event extend to any incidental, consequential or indirect damages.

This warranty defines the obligations and liability of NAPOLEON with respect to the NAPOLEON wood fireplace and any other warranties expressed or implied with respect to this product, its components or accessories are excluded.

NAPOLEON neither assumes, nor authorizes any third party to assume, on its behalf, any other liabilities with respect to the sale of this product. NAPOLEON will not be responsible for : over-firing, downdrafts, spillage caused by environmental conditions such as rooftops, buildings, nearby trees, hills, mountains, inadequate vents or ventilation, excessive venting configurations, insufficient makeup air, or negative air pressures which may or may not be caused by mechanical systems such as exhaust fans, furnaces, clothes dryers, etc.

Any damages to fireplace, combustion chamber, heat exchanger, brass trim or other component due to water, weather damage, long periods of dampness, condensation, damaging chemicals or cleaners will not be the responsibility of NAPOLEON.

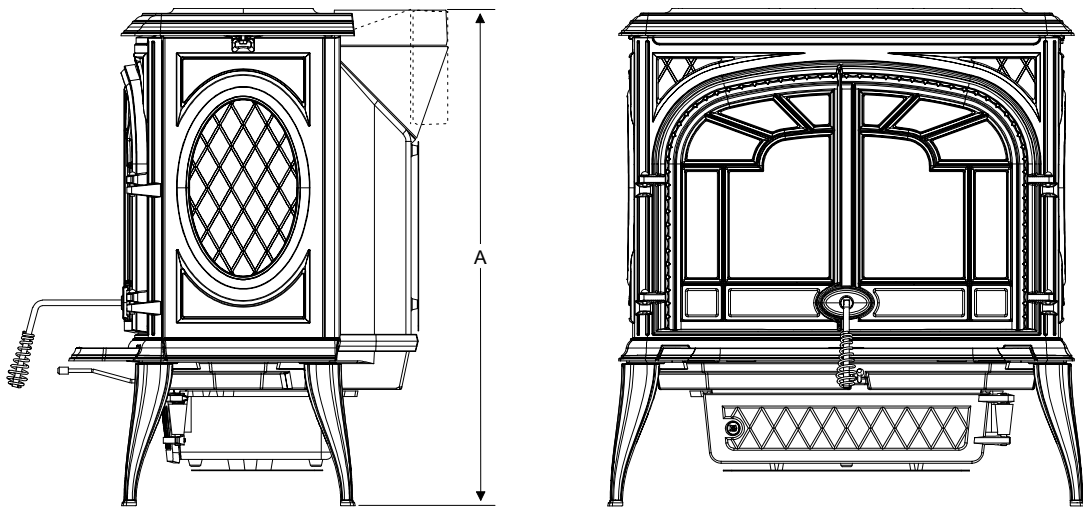
The bill of sale or copy will be required together with a serial number and a model number when making any warranty claims from your authorized dealer. The warranty registration card must be returned within fourteen days to register the warranty.

NAPOLEON reserves the right to have its representative inspect any product or part thereof prior to honouring any warranty claim.

PLEASE RETAIN THIS MANUAL FOR FUTURE REFERENCE

TABLE of CONTENTS

INTRODUCTION	<i>p. 4</i>	MOBILE HOME INSTALLATION	<i>p. 8</i>
General information	p. 4	Venting	p. 8
Principal of operation	p. 4	Outside air	p. 8
Care of glass	p. 4	113KT 1600C Adaptor Kit Intallation	p. 8
INSTALLATION	<i>p. 5</i>	OPERATING INSTRUCTIONS	<i>p. 9</i>
Alcove installation	p. 6	When lit for the first time	p. 9
Stove installation	p. 6	Achieving proper draft	p. 9
INSTALLATION WHEN INSTALLED WITH BLOWER KIT EP63	<i>p. 6</i>	Fire extinguishers / smoke detectors	p. 10
Adding chimney sections	p. 7	Fuel loading and burn cycle	p. 10
Outside air	p. 7	EP63 OPTIONAL BLOWER KIT	p. 10
Flue collar reversal	p. 7	Ash removal procedures	p. 10
Ash fender installation	p. 7	EP90-K OPTIONAL SCREEN KIT	p. 10
Wall pass-through	p. 7	WOOD PILE MAINTENANCE	<i>p. 11</i>
Heat shield installation	p. 7	STOVE MAINTENANCE	<i>p. 11</i>
		Creosote formation and removal	p. 11
		Runaway or chimney fire	p. 11
		ORDERING PROCEDURES	<i>p. 12</i>



SPECIFICATIONS	MODEL 1600C-1	
WIDTH X DEPTH	681 X 615 mm	26.8" X 24.2"
HEIGHT	712 mm	28.0"
REAR FLUE HEIGHT (A)	698 mm	27,5"
CHAMBER (D.W.H.)	304 X 520 X 265 mm	11.9" X 20.4" X 10.4"
CAPACITY (LITER)	41.3 L	1.46 ft ³
APP. AREA HEATED *	56-112 m ²	600-1200 ft ²
HEAT OUTPUT (HIGH BURN) **	50,000 Btu	
DURATION LOW FIRE	7 hr	
WEIGHT	150 KG	330 LB

*FIGURES WILL VARY CONSIDERABLY WITH INDIVIDUAL CONDITIONS.

** WOLF STEEL LTD. ESTIMATED REALISTIC BTU/H WITH HARDWOOD LOGS AND REGULAR REFUELING.

INTRODUCTION

General information

The 1600C-1 was specifically designed over many months of research to meet the 1990 U.S.A. EPA particulate emission standards and has been extensively tested in Canadian laboratories. This system is the most efficient, simple and trouble free we know and works as follows.

The 1600C-1 is designated as a continuous wood burning heating appliance having a combustion chamber enclosed with cast brick walls where all fuel is meant to be burnt on the grate supplied. It is a top and rear vented appliance capable of being installed near a wall. It has an adjustable air control for controlling the burning rate as well as a large ash-pan.

NOTE : The following items supplied with the unit must be removed from the firebox before attempting to operate the stove : door handle tool, ash fender and installation hardware.

After removing the unit from the pallet, use the securing screws to install the heat shield to the base of the unit.

Principal of operation

The 1600C-1 is designed to be operated with the door closed. The heat produced is mainly transmitted through the window and the body of the unit. Combustion occurs on the grate with a draft entry through the top of the combustion chamber. Be sure to provide sufficient combustion air. There are many other appliances in your home competing for air such as : a kitchen range hood, forced air heating devices or a bathroom exhaust fan. Do not connect this unit to a chimney flue serving another appliance. Expansion/contraction noises during heating up and cooling down cycles are normal and to be expected. After extended periods of non-operation such as following a vacation or a warm weather season, the fireplace may emit a slight odour for a few hours. This is caused by dust particles in the firebox burning off. Open a window to sufficiently ventilate the room.

If the outside air feature of the stove is utilized, you will never experience a shortage of combustion air. If you choose not to utilize outside air and experience draft or smoking problems, you may need to open a door or Window.

WARNING: Burning your unit with the ashpan door open or ajar creates a fire hazard that may result in internal damage to the stove or a house and/or chimney fire.

CALIFORNIA PROP 65 WARNING:

Use of this product may produce smoke which contains chemicals known to the State of California to cause cancer, birth defects, or other reproductive harm.

Care of glass

If the glass is not kept clean permanent discolouration and/or blemishes may result. Normally a hot fire will clean the glass. The most common reasons for dirty glass include : not using sufficient fuel to get the stove thoroughly hot, using green or wet wood, closing the air control so far that there is insufficient air for complete combustion. If it is necessary to clean the glass, use a soft cloth with a nonabrasive cleaner.

DO NOT CLEAN GLASS WHEN HOT !

The glass is very strong but do not let burning fuel rest against it and always close the door gently. If the glass should ever crack while the fire is burning, do not open the door until the fire is out and do not operate the stove again until the glass has been replaced with a new 4 mm thick plate of ceramic glass, available from your Napoleon / Wolf Steel Ltd. dealer.

DO NOT SUBSTITUTE MATERIALS.

To remove the door glass, open the door, remove the screws and brackets holding the glass in place. Remove all broken glass. Replace the gasket, if necessary. Place the new glass in position and replace the brackets and screws.

INSTALLATION

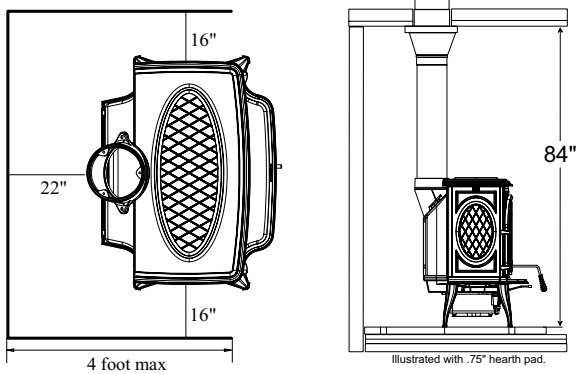
For reduced clearances installation must comply with NFPA 211 or CAN/CSA-B365.

For clearances when installed with blower kit EP63, refer to page 6.

Alcove installation

Model 1600C-1 may be installed into an alcove having a depth of not more than 4 feet and a height of at least 7 feet, when using a listed double wall connector that is rated for a minimum 12" clearance to combustible material. The minimum clearances are as shown.

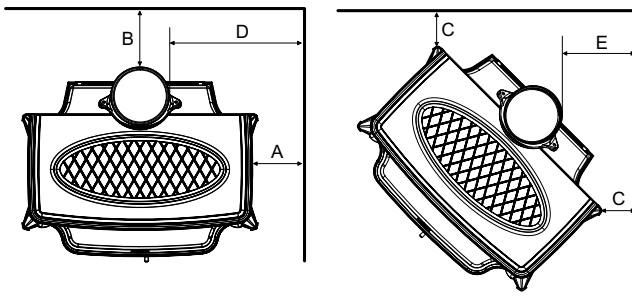
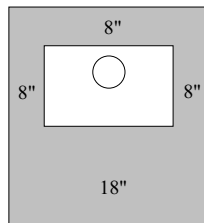
Alcove installation



Walls shall not extend from front of unit when installed in the alcove configuration.

Stove installation

If the stove is to be installed on a combustible floor, it must be placed on a approved non-combustible hearth pad, that extends 8" (200mm) beyond the stove sides and back, and 18" (455mm) to the front.



Listed single wall chimney connector

	Type 1	Flue configuration	
		Horizontal	Vertical
FROM UNIT	A	16"	16"
	B*	22"	22"
	C	15"	15"
FROM PIPE	D	25"	25"
	E	...	22"

* A 22 in. Minimum clearance must be maintained from combustible wall to the chimney connector.

Double walled connectors listed for a minimum clearance of 12" or less from combustible materials must be used to achieve the following clearances.

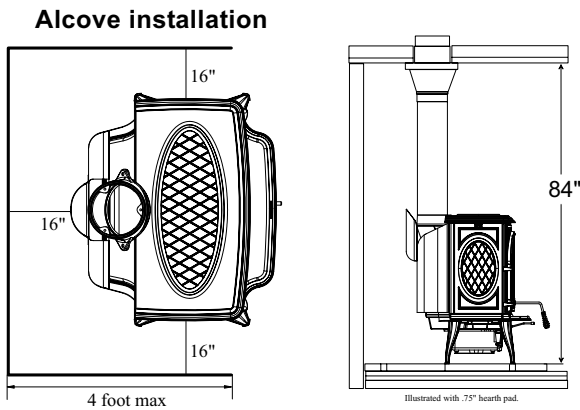
	Type 2	Flue configuration	
		Horizontal	Vertical
FROM UNIT	A	16"	16"
	B	14"	14"
	C	15"	15"
FROM PIPE	D	25"	25"
	E	...	16"

INSTALLATION WHEN INSTALLED WITH BLOWER KIT EP63

For reduced clearances installation must comply with NFPA 211 or CAN/CSA-B365.

Alcove installation

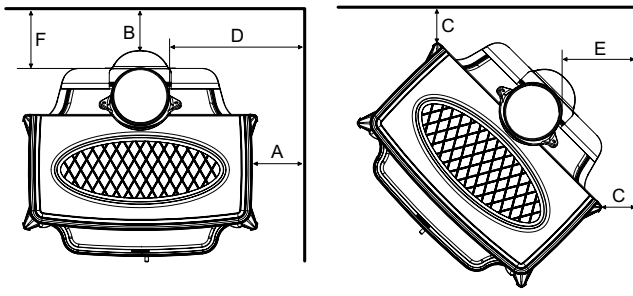
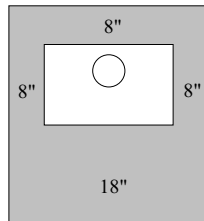
Model 1600C-1 may be installed into an alcove having a depth of not more than 4 feet and a height of at least 7 feet, when using a listed double wall connector that is rated for a minimum 12" clearance to combustible material. The minimum clearances are as shown.



Walls shall not extend from front of unit when installed in the alcove configuration.

Stove installation

If the stove is to be installed on a combustible floor, it must be placed on an approved non-combustible hearth pad, that extends 8" (200mm) beyond the stove sides and back, and 18" (455mm) to the front.



Listed single wall chimney connector

	Type 1	Flue configuration	
		Horizontal	Vertical
FROM UNIT	A	16"	16"
	B*	10"	16"
	C	11"	11"
FROM PIPE	D	25"	25"
	E	...	18"
	F	...	18"

* A 18 in. Minimum clearance should be maintained from combustible wall to the chimney connector.

Double walled connectors listed for a minimum clearance of 12" or less from combustible materials must be used to achieve the following clearances.

	Type 2	Flue configuration	
		Horizontal	Vertical
FROM UNIT	A	16"	16"
	B	10"	10"
	C	11"	11"
FROM PIPE	D	25"	25"
	E	...	16"
	F	...	12"

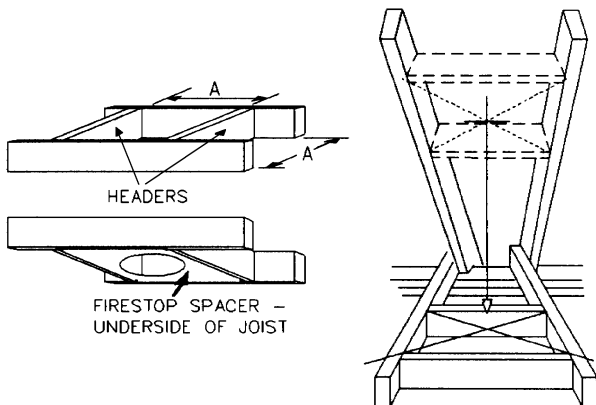
Chimney connection

A 6" diameter single wall stove pipe, used to connect the stove to the chimney, must be installed with the crimped end toward the stove. This will ensure that the moisture which condenses from the burning wood will flow back into the fire chamber. Each joint in the stove pipe must be secured with at least three sheet metal screws.

This room heater must be connected to:

- 1) A chimney complying with the requirements for Type HT chimneys in the Standard for Chimneys, Factory-Built, Residential Type and Building Heating Appliance UL 103, or
- 2) A code-approved masonry chimney with a flue liner.

Vent the stove into a masonry chimney or an approved, insulated solid-fuel stainless-steel chimney with as short and straight a length of six-inch (150mm) diameter smoke pipe as possible. Connection to a masonry chimney must be by a metal or masonry thimble cemented in place. An insulated stainless steel chimney must be supported at the ceiling or roof and its installation must comply with its manufacturer's instructions.



THE TOTAL HORIZONTAL VENT LENGTH SHOULD NOT EXCEED 40% OF THE CHIMNEY HEIGHT ABOVE THE STOVE.

All horizontal smoke pipe must slope slightly upwards a minimum of 1/4" per foot (6mm/0.3m) and all connections must be tight and secured by three sheet metal screws equally spaced.

An uninsulated smoke pipe shall not pass through an attic, roof space, closet or similar concealed space, or through a floor, ceiling, wall or partition, or any combustible construction.

DO NOT USE ANY MAKESHIFT MATERIALS DURING INSTALLATION.

1. Move the stove into position with the flue centered, midpoint between two joists to prevent having to cut them. Use a plumb bob to line up the centre.

2. Cut and frame an opening in the roof to provide a 2" clearance between the outside of the chimney and any combustible material.

DO NOT FILL THIS SPACE WITH ANY TYPE OF MATERIAL.

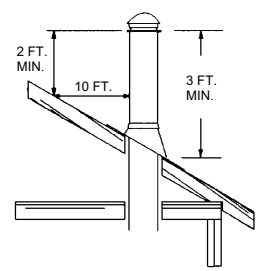
Nail headers between the joist for extra support.

Firestop spacers must be placed on the bottom of each framed opening in any floor or ceiling that the chimney passes through.

3. Hold a plumb bob from the underside of the roof to determine where the opening in the roof should be. Cut and frame the roof opening to maintain proper 2" clearances.

Adding chimney sections

Add chimney sections, according to manufacturer's installation instructions, to the required height. The chimney must extend, at least, 3 feet above its point of contact with the roof and at least 2 feet higher than any wall, roof or building within 10 feet. If your chimney system is enclosed within the attic area, a rafter radiation shield is required.

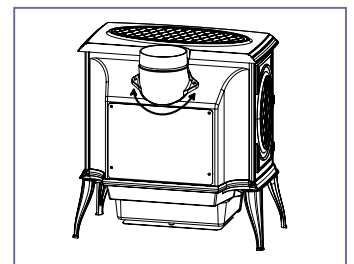


Outside air

If possible connect the air intake at the bottom to the outside with a 4 inch (100mm) diameter fresh air kit available at your Napoleon/Wolf Steel Ltd. dealer. Follow detailed instructions under "Mobile Home Outside Air".

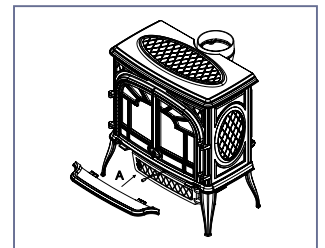
Flue collar reversal

The flue collar is oriented in the Top Exit position. Remove the two mounting bolts, and turn the collar 180 degrees. Secure the collar using the same bolts, nuts and washers.



Ash fender installation

To avoid damage during transport, the ash fender has been stored behind the main door. Pivot the ash fender onto tab "A" and lower into place.

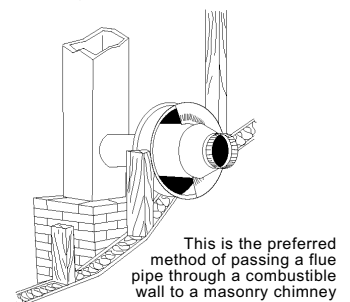


Wall pass-through

If possible, design the installation so that the connector does not pass through a combustible wall. If during your installation you must pass through a combustible wall, check with your building inspector before you begin. Also check with the chimney connector manufacturer for any specific requirements.

Consult with your dealer regarding special connection components available for use for wall pass-throughs.

Use only parts that have been tested and listed for use in a wall pass-through.



Heat shield installation

The heat shield stored in the unit must be installed under the stove with 2 provided screws. Please, see page 8 to respect the orientation of the heat shield.

MOBILE HOME INSTALLATION

MODEL 1600C-1 IS APPROVED FOR INSTALLATION IN MOBILE HOMES IN BOTH CANADA AND THE UNITED STATES.

The stove must be secured to the floor of the mobile home.

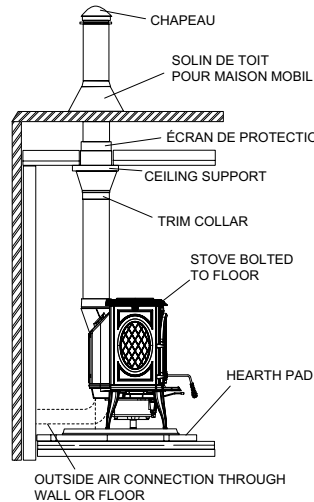
Warning!

Do not install this stove in a bedroom/sleeping room. Do not install the stove in any way that might compromise the structural integrity of the mobile home floor, walls, ceiling, or roof.

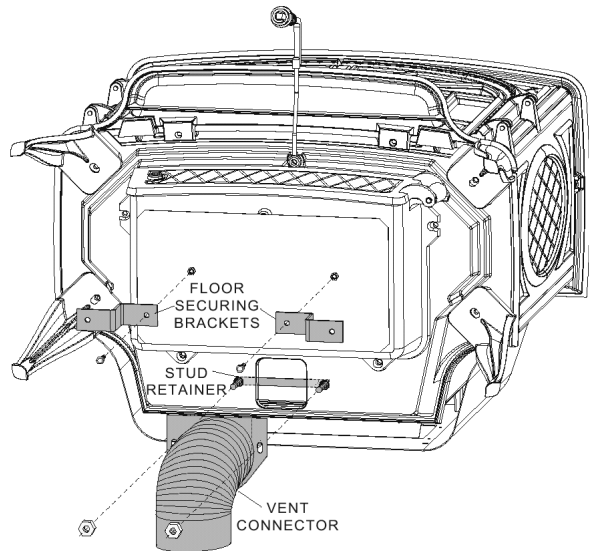
Venting

Connect the stove to a chimney system using a listed double wall connector with a minimum clearance rating of 12" or less. Use chimney system listed to ULC S629 in Canada or UL103HT in the USA.

The chimney must be installed in accordance with the manufacturer's instructions. Use only specified components with no substitutions. The chimney and pipe must extend at least 8 feet above the stove and 3 feet above the highest point of the roof. Install a rain cap at the top which will not impede the smoke exhaust. The chimney must be supported at the ceiling or roof so that its weight does not rest on the stove. It must be installed between ceiling joists, with radiation shield and roof flashing, so that the structural strength, insulation and waterproof qualities of the home are not lessened. Seal with silicone to maintain a vapour barrier at the chimney and outside air pipe penetrations.



113KT 1600C-1 Adaptor Kit Intallation



When installing the 1600C-1 in a mobile home, use the 111KT Outside air kit in conjunction with the 113KT Outside Air Adaptor Kit.

Remove the two screws from the bottom of the unit and install the two floor securing brackets using the two screws removed.

Install the vent connector by inserting the stud retainer into the hole in the bottom of the fireplace. Position the retainer so that the studs come through the holes indicated.

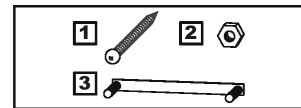
Hold the retainer in place and align the holes in the vent connector with the studs of the retainer.

Secure the vent connector in place using the 2 nuts supplied.

Secure the unit to the floor using the securing brackets and the two #10x1.5" screws supplied.

Hardware included:

#	Qty.	Description
1	2	#10x1.5" screws
2	2	nuts
3	1	stud retainer



Outside air / Floor Securing

Connecting the stove's air intake to the outside as well as securing the unit to the floor, is mandatory in mobile homes only. Use a fresh air kit and the floor securing brackets.

Avoid cutting away floor joists, wall studs, electrical wires or plumbing. Seal around the outside pipe with insulation to prevent drafts.

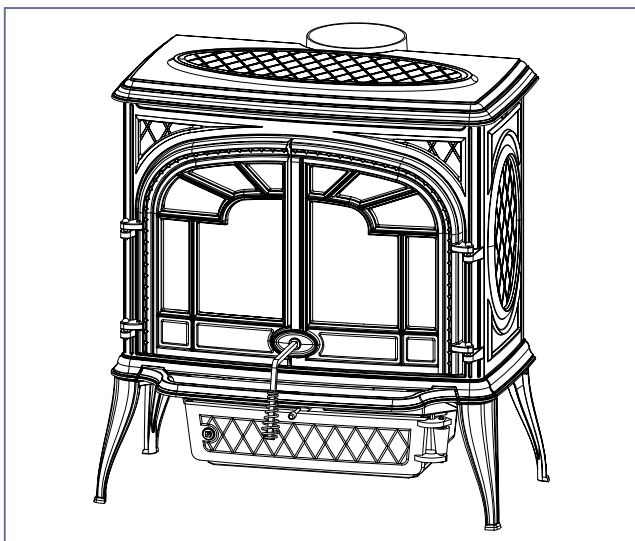
If room air starvation occurs because the fresh air intake is blocked with ice, leaves, etc., or because the stove door was left open, or due to a strong exhaust fan operating etc., dangerous fumes and smoke from the operating stove could be drawn into the room.

OPERATING INSTRUCTIONS

WARNING : Objects placed in front of the fire place should be kept a minimum of 48" from the front face.

CAUTION : Never use gasoline, gasoline-type lantern fuel, kerosene, charcoal lighter fluid, or similar liquids to start or 'freshen up 'a fire in this heater. Keep all such liquids well away from the heater while it is in use.

Your Napoleon EPA listed product is a Hi-Tech unit, designed with the most advanced technology. The unit is extremely airtight. It has an exclusive direct outside air supply (optional kit), a safety feature designed to prevent spillage, and to keep your house free of carbon monoxide, in case of a downdrafting chimney or an internal negative pressure.



When lit for the first time

The stove will emit a slight odour for a few hours. This is a normal temporary condition caused by the "burn-in" of internal paints and lubricants used in the manufacturing process and will not occur again. Simply open a window to sufficiently ventilate the room during the first few hours of operation.

To start, a brisk fire is required. Place loosely crumpled paper on the grate and cover with dry kindling. Open the air control fully by moving it to the right. Light the paper and leave the door slightly ajar (one inch) until all kindling is burning. To maintain a brisk fire, a hot coal bed must be established and maintained.

Slowly add larger wood (2x4 size pieces). Lay the pieces lengthwise from side to side in the hot coal bed with a shallow trench between, so that the primary air can flow directly into this trench and ignite the fuel above. When the fire seems to be at its peak, medium sized logs may be added. Once these logs have caught fire, carefully close the door. (Closing the door too quickly after refuelling will reduce the firebox temperature and result in an unsatisfactory burn.) Remember it is more efficient to burn medium sized wood, briskly, and refuel frequently than to load the fireplace with large logs that result in a smouldering, inefficient fire and dirty glass.

As soon as the door is closed, you will observe a change in the flame pattern. The flames will get smaller and lazier because less oxygen is getting into the combustion chamber. The flames, however, are more efficient. The flames will remain lazy but become larger again as soon as the castings have been heated thoroughly and the chimney becomes heated and provides a good draft.

At this point, the roaring fire that you see when the door is opened is wastefully drawing heated room air up the chimney — certainly not desirable. So always operate with the door fully closed once the medium sized logs have caught fire.

You can now add larger pieces of wood and operate the stove normally. Once the stove is entirely hot, it will burn very efficiently with little smoke from the chimney. There will be a bed of orange coals in the firebox and secondary flames flickering just below the top firebrick. You can safely fill the firebox with wood to the top of the door and will get best burns if you keep the stove pipe temperatures between 250 degrees Fahrenheit (121 degrees Celsius) and 450 degrees Fahrenheit (232 degrees Celsius). A surface thermometer will help regulate this.

WITHOUT A STOVE THERMOMETER YOU ARE WORKING BLINDLY AND HAVE NO IDEA OF HOW THE STOVE IS OPERATING. A STOVE THERMOMETER OFFERS A GUIDE TO PERFORMANCE.

Can't get the stove going ?

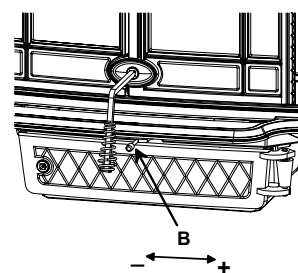
Use more kindling and paper. Assuming the chimney and vent are sized correctly and there is sufficient combustion air, the lack of sufficiently dry quantities of small kindling is the problem. Thumb size is a good gauge for small kindling diameter.

Can't get heat out of the stove ?

One of two things may have happened. The stove door may have been closed prematurely and the stove itself has not reached optimum temperature. Reopen the door and/or draft control to re-establish a brisk fire. The other problem may have been wet wood. The typical symptom is sizzling wood and moisture being driven from the wood.

Achieving proper draft

Draft is the force which moves air from the stove up through the chimney. The amount of draft in your chimney depends on the length and diameter of chimney, local geography, nearby obstructions and other factors. Adjusting the air control (Item B) regulates the temperature.



The draft can be adjusted from a low burn rate with the control fully closed, to a fast burn rate with the control fully open.

Inadequate draft may cause back-puffing into the room through the stove and chimney connector points and may cause plugging of the chimney. Too much draft may cause an excessive temperature in the stove, glowing red stove parts or chimney connectors or an uncontrollable burn which can lead to a chimney fire or permanent damage to the unit.

Fire extinguishers / smoke detectors

All homes with a solid fuel burning fireplace should have at least one fire extinguisher in a central location known to all, and at least one smoke detector in the room containing the fireplace. If it sounds an alarm, correct the cause but do not deactivate or relocate the smoke detector.

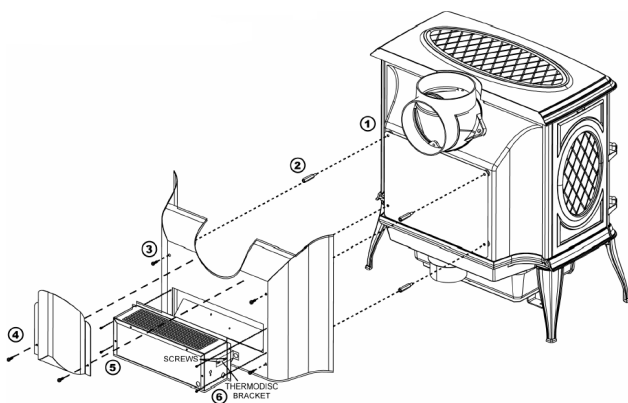
Fuel loading and burn cycle

For maximum efficiency, when the stove is thoroughly hot, load it fully to the top of the door opening and burn at a medium low setting. Maximum heat for minimum fuel (optimum burn) occurs when the stove top temperature is between 500°F (260°C) and 600°F (315°C). The cleanness of the glass is a good indicator of your operating efficiency. Not enough heat is produced when only one or two pieces of wood are burned or the wood may not burn completely. A minimum of three pieces are needed to encase a bed of coals that sustains the fire.

Loosely stacked wood burns quicker than a tightly packed load. Wood burns in cycles rather than giving a steady output of heat. It is best to plan these cycles around your house hold routine so that only enough coals are left to start the next load. In the evening, load your stove, at least, a half-hour before bed to ensure a good fire, hot enough to close the draft control for an overnight burn. Burn only dry seasoned wood.

It produces more heat and less soot or creosote. Do not burn ocean beach wood. Its salt content can produce a metal eating acid. When refueling open the door slowly to prevent smoke spillage. Use a pair of long gloves (barbecue gloves) when feeding the fire. Because these stoves burn at the front, they are clean and efficient, but they are also very hot and gloves are useful. Keep a small steel shovel nearby to use as a poker and to remove ashes. Do not store the wood within 3 feet (1m) of the stove.

EP63 OPTIONAL BLOWER KIT



- ① Remove the 4 screws from the rear plate of the stove.
- ② Replace the screws removed with the 4 spacers supplied.
- ③ Install the rear heat shield using the 4 screws removed and secure to the 4 spacers.
- ④ The flue collar shield is only needed if the flue collar is in the top exit position. If the flue collar is in the rear exit position, the flue collar shield can be discarded. Install the flue collar shield to the rear heat shield, using 2 of the screws supplied.

- ⑤ Install the blower and housing using 4 of the screws supplied.
- ⑥ Loosen the 2 screws securing the thermidisc bracket and slide the bracket forward until the thermidisc is touching the heat shield. Secure in place by tightening the screws.

Ash removal procedures

CAUTION : Risk of excessive temperatures. Keep the ash door closed during firing of the heater.

It is essential to keep the grate free of a heavy build up of ashes.

When burning solid fuel, always empty the ash pan at least once a day or whenever it is full of ashes. Never allow the ashpan to overflow thereby allowing ash to be in contact with the underside of the grate. If this condition is allowed, the grate will wear out prematurely.

Hot ashes may be kept in a metal container with a tight fitting lid. Keep the closed container on a noncombustible floor or ground, well away from all combustible materials. The ashes should be retained in the closed container until all cinders have thoroughly cooled. Cold wood ashes can be used on the garden or in the compost.

DO'S

1. Build a hot fire
2. Use only dry wood.
3. Several pieces of medium sized wood are better than a few big pieces.
4. Clean chimney regularly.
5. Refuel frequently using medium sized wood.
6. "Fine Tune" the air settings for optimum performance.

DON'TS

1. Take ash out immediately. Let it accumulate to a depth of at least one inch. A good ash layer provides for a longer lasting and better burning fire.
2. Burn wet wood.
3. Close the door too soon or damper down too quickly.
4. Burn one large log rather than two or three smaller, more reasonably sized logs.
5. Burn at continually "low setting", if glass door is constantly blackened. This means the firebox temperature is too low.

EP90-K OPTIONAL SCREEN KIT



The 1600C-1 may only be operated with the doors open when spark screen EP90-K is used and installed properly.

This kit is not applicable for mobile homes.

WOOD PILE MAINTENANCE

Burn only dry, clean unpainted wood that has been seasoned. It produces more heat and less soot or creosote. Freshly cut wood contains about 50% moisture while after proper seasoning only about 20% of the water remains. As wood is burned, this water boils off consuming energy that should be used in heating. The wetter the wood, the less heat is given off and the more creosote is produced.

Both hardwood and softwood burn equally well in this stove but hardwood is denser, will weigh more per cord and burn a little slower and longer. Firewood should be split, stacked in a manner that air can get to all parts of it and covered in early spring to be ready for burning that fall. Dry firewood has cracks in the end grain. Cut the wood so that it will fit horizontally, sideways, making for easier loading and less of a likelihood that the wood will roll onto the glass.

STOVE MAINTENANCE

Check your chimney and chimney connector for creosote and soot buildup weekly until a safe frequency for cleaning is established. If accumulation is excessive, disconnect the stove and clean both the chimney and the stove. You may want to call a professional chimney sweep to clean them. Both have to be cleaned at least once a year or as often as necessary.

SMOKING : A properly installed stove should not smoke. If yours does, check the following : Has the chimney had time to get hot ? Is the smoke passage blocked anywhere in the stove, chimney connector or chimney ? Is the room too airtight ? Try with a window partly open. Is the smoke flow impeded by too long a horizontal pipe or too many bends ? Is it a weak draft perhaps caused by a leaky chimney, a cold outside chimney, too short a chimney, or a chimney too close to trees or a higher roof ?

Creosote formation and removal

When wood is burned slowly, it produces tar and other organic vapours which combine with expelled moisture to form creosote. These vapours condense in the relatively cooler chimney flue of a slow burning fire and when ignited, make an extremely hot fire. So, the smoke pipe and chimney should be inspected monthly during the heating season to determine if a buildup has occurred. If creosote has accumulated it should be removed to reduce the risk of a chimney fire.

Runaway or chimney fire

Runaway fires can be the result of two major factors :

1. Using incorrect fuel, or small fuel pieces which would normally be used as kindling.
2. Leaving the door ajar too long and creating extreme temperatures as the air rushes in the open door.

Solutions :

1. Do not burn treated or processed wood, coal, charcoal, coloured paper or cardboard.
2. Be careful not to over-fire the unit by leaving the door open too long after initial start-up. A thermometer on the chimney connector and/or stove top helps.

What to do if a runaway or chimney fire starts ?

1. Close the draft fully.
2. Call local fire department.
3. Examine flue-pipes, chimney, attic, and roof of the house, to see if any part has become hot enough to catch fire. If necessary spray with a fire extinguisher or water from a garden hose.
4. Do not operate the stove again until you are certain the chimney and its lining have not been damaged.

ORDERING PROCEDURES

Contact your dealer or the factory for questions concerning prices and policies on replacement parts. Normally all parts can be ordered through your Napoleon dealer or distributor. When ordering replacement parts always give the following information :

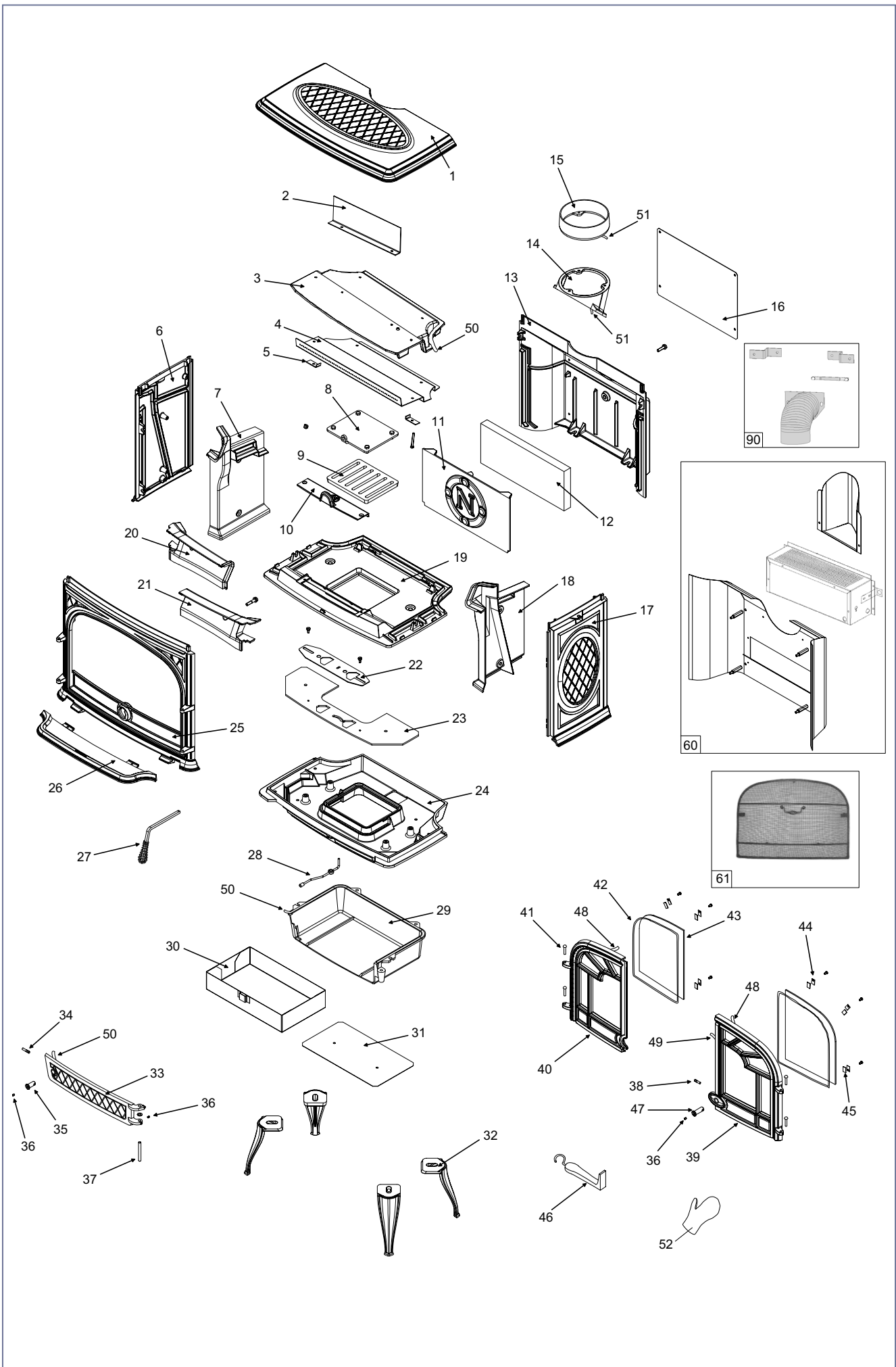
- | | |
|---------------------------------------|-----------------------------|
| 1. Model & Serial Number of fireplace | |
| 2. Installation date | P = 1600CP (Painted) |
| 3. Part Number | N = 1600CN (Brown) |
| 4. Description of part | F = 1600CF (Green) |
| 5. Finish | |

N°	Code	Description	P	N	F	Qty
1	352165	RJ Top plate			F	01
1	352165	EF Top plate	P			01
1	352165	77 Top plate		N		01
2	269443	Deflector	P	N	F	01
3	326602	00 Flue baffle	P	N	F	01
4	222566	00 Secondary air plate	P	N	F	01
5	259037	00 Bracket, air plate	P	N	F	02
6	310830	RJ Left side panel			F	01
6	310830	EF Left side panel	P			01
6	310830	77 Left side panel		N		01
7	305016	EF Liner, left side	P	N	F	01
8	252674	Grate cover	P	N	F	01
9	309233	EF Grate	P	N	F	01
10	322718	EF Air channel cover	P	N	F	01
11	330018	EF Hearth plate	P	N	F	01
12	105275	Ceramic brick liner.	P	N	F	01
13	306285	EF Back panel	P	N	F	01
14	331001	EF Adaptor.	P	N	F	01
15	303826	EF Flue collar	P	N	F	01
16	157968	Rating plate	P	N	F	01
17	310734	RJ Right side panel			F	01
17	310734	EF Right side panel	P			01
17	310734	77 Right side panel.		N		01
18	305214	EF Liner, right side	P	N	F	01
19	319738	EF Grate support (Inner base)	P	N	F	01
20	332000	EF Air duct, left side.	P	N	F	01
21	315610	EF Air duct, right side	P	N	F	01
22	270411	00 Air control damper.	P	N	F	01
23	236131	00 Sealing plate	P	N	F	01
24	300491	EF Base	P	N	F	01
25	359806	RJ Front plate			F	01
25	359806	EF Front plate	P			01
25	359806	77 Front plate.		N		01
26	327905	RJ Ash tray			F	01
26	327905	EF Ash tray	P			01
26	327905	77 Ash tray		N		01
27	158627	Handle, door.	P	N	F	01
28	179624	Shaft, air control.	P	N	F	01
29	331700	Ash pan housing.	P	N	F	01
30	624045	00 Ash-pan	P	N	F	01
31	262611	Heat shield (Ash Pan).	P	N	F	01
32	300132	RJ Leg			F	04
32	300132	EF Leg	P			04
32	300132	77 Leg.		N		04

N°	Code	Description.	P	N	F	Qty
33	301172	RJ Ash pan door.			F	01
33	301172	EF Ash pan door.	P			01
33	301172	77 Ash pan door		N		01
34	134711	Pin 6X30, ash pan door latch	P	N	F	01
35	101055	Axle, ash pan door latch	P	N	F	01
36	189825	Screw M 5X6, door latch	P	N	F	03
37	101057	Hinge DIAM.8, ash pan door	P	N	F	01
38	134714	Pin 6X24, door latch	P	N	F	01
39	331800	RJ Door, right side.			F	01
39	331800	EF Door, right side	P			01
39	331800	77 Door, right side		N		01
40	331900	RJ Door, left side			F	01
40	331900	EF Door, left side	P			01
40	331900	77 Door, left side		N		01
41	110404	Hinge pin 6X30, door	P	N	F	04
42	181632	Gasket, door glass.	P	N	F	2 m
43	188829	Ceramic glass 278 X 220	P	N	F	02
44	259015	00 Bracket, glass retainer	P	N	F	08
45	142881	Rope	P	N	F	08
46	808001	ED Hand tool.	P	N	F	01
47	101054	Axle, door latch	P	N	F	01
48	181634	Gasket, door	P	N	F	1,64 m
49	181633	Gasket, ash pan door	P	N	F	1,33 m
50	181625	Gasket, ash pan housing	P	N	F	3,16 m
51	142316	Gasket, flue collar	P	N	F	1 m
52	134107	Glove	P	N	F	01

ACCESSORIES

60	EP63	Blower kit.	P	N	F	
61	EP90-K	Screen kit	P	N	F	
90	113KT	Adapter kit	P	N	F	
	111KT	Outside air kit	P	N	F	



INSTALLATEUR : CETTE NOTICE DOIT ÊTRE REMISE AU PROPRIÉTAIRE DU POÊLE ET CONSERVÉE PAR LUI.

HOMOLOGUÉ SELON LES NORMES DE L'AGENCE DE PROTECTION DE L'ENVIRONNEMENT AMÉRICAINE (E.P.A.) JUILLET 1990 ET LE DÉPARTEMENT D'OREGON DE LA QUALITÉ DE L'ENVIRONNEMENT (D.E.Q.) LES NORMES D'ÉMISSION DE PARTICULES DE E.E.M.C. CE POÊLE A ÉTÉ TESTÉ ET HOMOLOGUÉ PAR WARNOCK HERSEY LTÉE SELON LES NORMES UL 1482 / ULC-S627.
LE MODÈLE 1600C-1 A ÉTÉ TESTÉ ET HOMOLOGUÉ POUR INSTALLATION LES MAISONS MOBILES.



**INSTRUCTIONS D'INSTALLATION ET D'OPÉRATION POUR LES
APPAREILS DE CHAUFFAGE LOCALISÉ À COMBUSTIBLE SOLIDE
MODÈLE : 1600C-1**

ATTENTION :

**Veillez lire le manuel d'instructions en entier avant d'installer et d'utiliser votre appareil de chauffage.
Si ces instructions ne sont pas suivies à la lettre, des dommages matériels, des blessures corporelles
ou des pertes de vie pourraient s'ensuivre.**

Si cet appareil n'est pas installé adéquatement, un incendie pourrait en résulter.

POUR VOTRE SÉCURITÉ :

Observez les instructions d'installation. Ce poêle peut devenir très chaud pendant la chauffe. Les matériaux combustibles tels que le bois de chauffage, les vêtements détrempés etc., placés trop près de l'appareil peuvent prendre feu. Il faut empêcher les enfants et les animaux domestiques de toucher l'appareil lorsqu'il est chaud. La cheminée doit être en bonne condition et doit être hermétique. Avant d'installer cet appareil, contactez le service du bâtiment ou le service d'incendie de votre municipalité et suivez leurs directives.

Ne faites fonctionner l'appareil qu'avec la porte hermétiquement fermée. Vous devez garder la porte fermée durant le fonctionnement pour éviter que la fumée et les braises s'infiltrent dans la pièce. Brûlez le bois directement sur le chenet en fonte fourni avec l'appareil. Ne surélevez pas le feu. Au moins 14" carrés (90 cm ca.) d'air extérieur doit être admis dans la pièce. Cet appareil est conçu pour brûler le bois à son état naturel seulement. Comparativement aux bois mous ou aux bois verts fraîchement coupés, les bois durs et secs produiront des taux d'efficacité plus élevés et des taux d'émissions plus bas. N'allumez pas l'appareil avec des produits chimiques ou des fluides tels que de l'essence, de l'huile à moteur etc. Ne brûlez pas de bois traités, du charbon, du charbon de bois, du papier couleur, du carton, des solvants ou des déchets qui ont tendances à produire plus de pollution que le bois. Ne laissez pas chauffer l'appareil au point où ses composants seront chauffés au rouge.

GARDEZ LA TEMPERATURE SUR LE DESSUS DE L'APPAREIL SOUS 700°F (371°C). Toute tentative de dépasser le débit maximum de chaleur tel que mentionné dans les spécifications du design des poêles, pourrait provoquer la distorsion de l'acier et causer des dommages.

**Wolf Steel Ltd., 24 Napoleon Rd.,
Barrie, ON., Canada L4M 4Y8 (705)721-1212**

Fax : (705)722-6031

www.napoleonfireplaces.com

Email : ask@napoleon.on.ca



Les poêles au bois NAPOLEON sont fabriqués conformément aux normes strictes du certificat d'assurance de qualité mondialement reconnu ISO 9001.

Les produits NAPOLEON sont conçus avec des composants et des matériaux de qualité supérieure, assemblés par des artisans qualifiés qui sont fiers de leur travail. Le poêle entier est soigneusement inspecté par un technicien qualifié avant d'être emballé pour garantir que vous, le client recevez le produit de qualité que vous attendez de NAPOLEON.

LA GARANTIE DU PRÉSIDENT

Les matériaux suivants et la fabrication de votre nouveau poêle au bois NAPOLEON sont garantis contre les défauts tant que vous en êtes le propriétaire. Ceci couvre : la chambre de combustion, l'échangeur de chaleur, la vitre en céramique (cassure thermique seulement), les pièces plaquées or contre le ternissement, les composants en émail de porcelaine et les moulages en fonte.

Les composants électriques (110 V) et les pièces portables telles que les ventilateurs, l'interrupteur thermique, les interrupteurs, l'installation électrique, les briques réfractaires, les grilles, les chicanes, les joints d'étanchéité, et la peinture résistante aux hautes températures sont couverts et NAPOLEON fournira gratuitement les pièces de rechange durant la première année de la garantie limitée.

Les coûts de main d'œuvre relatifs aux réparations garanties sont couverts gratuitement durant la première année. Cependant, les travaux de réparations nécessitent l'approbation préalable d'un représentant autorisé de la compagnie. Les coûts de main d'œuvre à la charge de NAPOLEON sont basés sur un programme de tarifs prédéterminé et tout travail de réparation doit être accompli par l'entremise d'un représentant autorisé NAPOLEON.

CONDITIONS ET LIMITATIONS

NAPOLEON garantit ses produits contre les défauts de fabrication à l'acheteur d'origine seulement — l'individu ou la personne morales (client inscrit) dont le nom apparaît sur la carte d'enregistrement de garantie déposée auprès de NAPOLEON — à condition que l'achat ait été fait par l'entremise d'un représentant autorisé NAPOLEON et sous réserve des conditions et limitations suivantes.

Cette garantie d'usine n'est pas transmissible et ne peut être étendue par aucun de nos représentants qu'elle qu'en soit la raison. Le poêle au bois doit être installé par un installateur ou entrepreneur qualifié. L'installation doit être faite conformément aux instructions d'installation incluses avec le produit et à tous les codes d'incendie et de construction locaux et nationaux.

Cette garantie limitée ne couvre pas les dommages causés par un usage impropre, un manque d'entretien, un accident, des altérations, des abus ou de la négligence. L'installation de pièces d'autres fabricants annulera cette garantie. Cette garantie limitée ne couvre pas non plus, les éraflures, les bossellements, la corrosion ou décoloration causés par une chaleur excessive, des produits d'entretien chimiques et abrasifs ou l'écaillage des pièces en émail de porcelaine, ou tout composant de ventilation utilisé dans l'installation du poêle.

Au cours de la première année seulement cette garantie s'étend à la réparation ou le remplacement des pièces garanties dont les matériaux ou la fabrication sont défectueux sous condition que le produit ait été utilisé conformément aux instructions de fonctionnement et sous des conditions normales. Après la première année, concernant cette Garantie à Vie Limitée du Président NAPOLEON peut, à sa discrétion, se débarrasser entièrement de toutes obligations concernant cette garantie en remboursant à l'acheteur d'origine le prix de gros de toute pièce garantie mais défectueuse. Après la première année, NAPOLEON ne sera pas responsable de l'installation, main d'œuvre au autres coûts ou dépenses relatives à la ré-installation d'une pièce garantie et de telles dépenses ne sont pas couvertes par cette garantie.

En dépit de toute disposition contenue dans cette Garantie Limitée à Vie du Président LA RESPONSABILITÉ DE NAPOLEON sous cette garantie est définie comme ci-dessus et elle ne s'étendra à aucun dommage accidentel, consécutif ou indirect.

Cette garantie définit l'obligation et la responsabilité de NAPOLEON concernant le poêle NAPOLEON et toutes autres garanties exprimées ou implicites concernant ce produit, ses composants ou accessoires sont exclus.

NAPOLEON n'assume ou n'autorise aucun tiers à assumer en son nom, toutes autres responsabilités concernant la vente de ce produit NAPOLEON ne sera pas responsable pour : une surchauffe, un mauvais tirage, des déversements causés par des conditions liées à l'environnement telles que des toits, des bâtiments, la proximité d'arbres, de collines, de montagnes, une ventilation ou des événements inadéquats, une configuration d'aération excessive, une constitution d'air insuffisante, ou des pressions atmosphériques négatives qui sont peut-être ou peut-être pas causées par des systèmes mécaniques tels que les ventilateurs d'évacuation, les fournaies, les séchoirs à linge, etc.

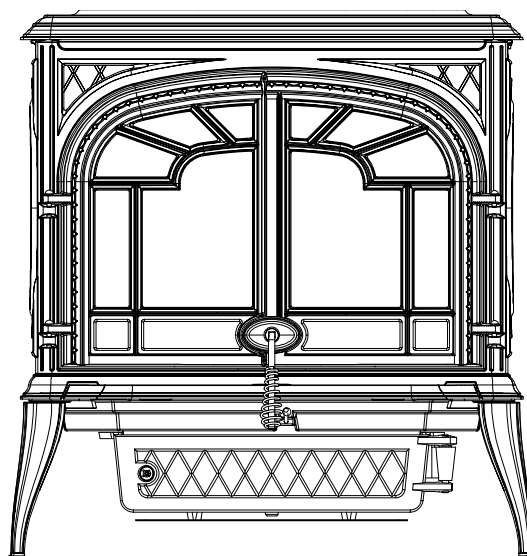
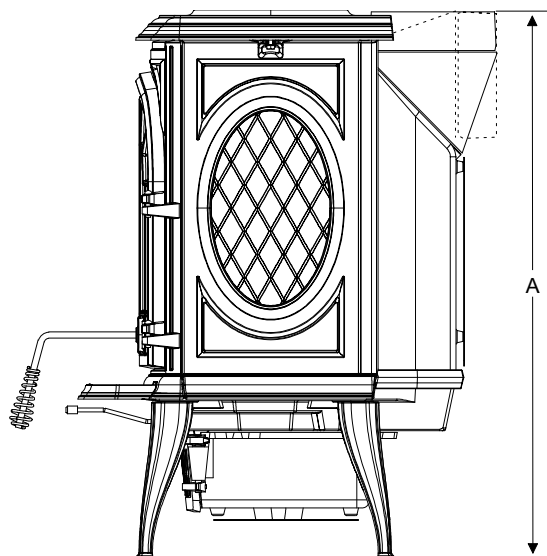
Tous dommages au poêle, à la chambre de combustion, l'échangeur de chaleur, la garniture de cuivre ou autre composant dus à l'eau, les dommages causés par le temps, de longues périodes d'humidité, de condensation, des produits chimiques ou produits d'entretien nuisibles ne seront pas de la responsabilité de NAPOLEON. La facture ou sa copie sera requise ainsi qu'un numéro de série et un numéro de modèle lors d'une réclamation auprès de votre représentant autorisé. La carte d'enregistrement doit être retournée dans les quatorze jours pour enregistrer la garantie.

NAPOLEON se réserve le droit de demander à son représentant d'inspecter tout produit ou pièce avant d'honorer toute réclamation.

S.V.P. CONSERVEZ CE MANUEL COMME RÉFÉRENCE

TABLE des MATIÈRES

INTRODUCTION	<i>p. 4</i>	Air extérieur/fixation au plancher	<i>p. 8</i>
Informations générales	<i>p. 4</i>	Adaptateur pour prise d'air extérieur 113KT	<i>p. 8</i>
Principe de fonctionnement	<i>p. 4</i>	INSTRUCTIONS D'OPÉRATION	<i>p. 9</i>
Soin de la vitre	<i>p. 4</i>	Lors du premier allumage	<i>p. 9</i>
INSTALLATION	<i>p. 5</i>	Créer un tirage approprié	<i>p. 9</i>
Installation dans une alcôve	<i>p. 5</i>	Extincteurs et détecteurs de fumée	<i>p. 10</i>
Installation du poêle	<i>p. 5</i>	Chargement du combustible et cycle de combustion	<i>p. 10</i>
INSTALLATION AVEC LE KIT SOUFFLERIE EP63	<i>p. 6</i>	Soufflerie optionnelle EP63	<i>p. 10</i>
Ajout de sections de cheminée	<i>p. 7</i>	Méthodes de décendrage	<i>p. 10</i>
Air extérieur	<i>p. 7</i>	Pare-étincelles optionnel EP90K	<i>p. 10</i>
Inversion du collet de conduit d'évacuation	<i>p. 7</i>	ENTRETIEN DU TAS DE BOIS	<i>p. 11</i>
Installation du récupérateur de cendre	<i>p. 7</i>	ENTRETIEN DU POÊLE	<i>p. 11</i>
Évacuation à travers un mur	<i>p. 7</i>	Formation et enlèvement de crésote	<i>p. 11</i>
Installation de l'écran de dessous	<i>p. 7</i>	Feu de cheminée ou feu hors contrôle	<i>p. 11</i>
INSTALLATION MAISON MOBILE	<i>p. 8</i>	REPLACEMENTS	<i>p. 12</i>
L'évacuation	<i>p. 8</i>		



SPÉCIFICATIONS	MODÈLE 1600C-1	
LARGEUR X PROFONDEUR	681 X 615 mm	26.8" X 24.2"
HAUTEUR	712 mm	28.0"
HAUTEUR DÉPART ARRIÈRE (A)	698 mm	27,5"
FOYER (P.L.H.)	304 X 520 X 265 mm	11.9" X 20.4" X 10.4"
CONTENANCE (LITER)	41.3 L	1.46 ft ³
SURFACE CHAUFFÉE *	56-112 m ²	600-1200 ft ²
PUISSANCE MAXI **	14 kW	
DURÉE	7 hr	
POIDS	150 KG	330 LB

*CES DONNÉES VARIENT CONSIDÉRABLEMENT SELON LES CONDITIONS INDIVIDUELLES.

** BTU/H RÉALISTES ESTIMÉS PAR WOLF STEEL LTÉE AVEC BÛCHES DE BOIS DUR ET RAVITAILLEMENT NORMAL.

INTRODUCTION

Informations générales

Le poêle à bois 1600C-1 a été spécifiquement conçu pendant plusieurs mois de recherches pour satisfaire les exigences de l'E.P.A. américaine concernant les émissions standard de particules pour 1990 ; il a été considérablement testé par les laboratoires canadiens et américains. Ce système est le plus efficace, le plus simple et sans problèmes connus; il fonctionne comme suit :

Le "1600C-1" est un appareil de chauffage au bois à fonctionnement continu ayant une chambre de combustion fermée avec parois en fonte où tout le combustible est brûlé sur la grille fournie. C'est un appareil fonctionnant en départ dessus et arrière et pouvant être installé près d'un mur. Il dispose d'une commande d'air permettant de bien contrôler son allure de fonctionnement et est équipé d'un cendrier de grande contenance.

NOTE : Avant de mettre votre appareil en fonctionnement, veillez à retirer les articles pouvant se trouver à l'intérieur : buse de raccordement, outil d'ouverture de porte, tisonnier, récupérateur de cendre et matériel d'installation.

After removing the unit from the pallet, use the securing screws to install the heat shield to the base of the unit.

Principe de fonctionnement

Le poêle à bois 1600C-1 est conçu pour fonctionner avec la porte fermée. La chaleur produite est principalement transmise par la vitre et le corps de l'appareil. La combustion se produit sur la grille avec une entrée d'air par le haut de la chambre de combustion. Assurez-vous qu'il y a assez d'air comburant qui rentre. Il y a beaucoup d'autres appareils chez vous qui ont besoin d'air, tels : les hottes des cuisinières, les installations de chauffage à air pulsé, les ventilateurs d'extraction d'air des salles de bain. Do not connect this unit to a chimney flue serving another appliance. Les bruits causés par l'expansion et la contraction lors des cycles de chauffage et de refroidissement sont tout à fait normaux et il faut s'y attendre. Après de longues périodes sans utiliser le poêle, telles qu'à la suite de vacances ou en automne, il se peut qu'une légère odeur s'en dégage pendant quelques heures. Ceci est causé par des particules de poussière brûlant dans le poêle. Ouvrez une fenêtre afin d'aérer la pièce de manière suffisante.

Si vous utilisez la prise d'air extérieur de votre poêle, vous ne manquerez jamais d'air comburant. Si vous choisissez de ne pas utiliser cette prise d'air extérieur et que vous avez des problèmes de tirage ou de fumée, vous devrez ouvrir une fenêtre ou une porte.

AVERTISSEMENT : Faire fonctionner votre appareil avec la chute à cendres ouverte ou entrouverte constitue un risque d'incendie et peut résulter en des dommages internes au poêle, un incendie ou un feu de cheminée.

AVERTISSEMENT - PROPOSITION 65 DE LA CALIFORNIE : L'utilisation de cet appareil peut produire de la fumée qui contient des substances chimiques qui, selon l'état de Californie, causeraient le cancer, des malformations congénitales ou autres dangers pour la reproduction.

Soin de la vitre

Si vous ne nettoyez pas les dépôts régulièrement, la vitre risque de rester marquée en permanence. Normalement, un feu très chaud maintiendra la vitre propre. Les raisons les plus fréquentes pourquoi la vitre se salit incluent : trop peu de combustible est utilisé, alors le poêle ne se réchauffe pas complètement, du bois vert ou humide est utilisé, le contrôle de tirage est trop fermé, il n'y a alors pas suffisamment d'air pour réaliser une combustion complète. S'il est nécessaire de nettoyer la vitre, utilisez des linges doux, sans abrasifs.

NETTOYEZ SEULEMENT LORSQUE LA VITRE EST FROIDE !

La vitre est très résistante mais ne laissez pas le bois en combustion s'appuyer contre la vitre. Fermez toujours la porte doucement. Si la vitre devait craqueler pendant que le feu brûle, n'ouvrez pas la porte jusqu'à ce que le feu s'éteigne et n'utilisez pas l'appareil jusqu'à ce que la vitre ait été remplacée, préférablement par votre détaillant, par une nouvelle plaque de verre céramique de 4 mm d'épaisseur.

N'UTILISEZ PAS DE SUBSTITUT.

Pour enlever la porte, ouvrez la et soulevez-la ; retirez les vis et les supports qui retiennent la vitre. Enlevez toute la vitre brisée. Remplacez le joint si nécessaire. Placez ensuite la nouvelle vitre en position et remplacez les vis et les supports.

INSTALLATION

Les installations avec des dégagements réduits doivent se conformer aux normes NFPA211 ou CAN/CSA-B365.

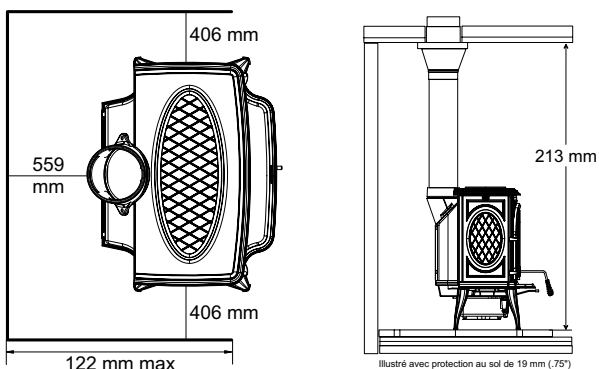
Pour les dégagements avec le kit EP63 installé, se référer à la page 6.

Installation dans une alcôve

Le modèle 1600C-1 peut être installé dans une alcôve de profondeur inférieure à 122 mm et d'une hauteur d'au moins 213 mm, équipé d'un conduit mural double enveloppe homologué posé à une distance minimum de 305 mm des matériaux combustibles.

Les distances minimum sont comme indiqué.

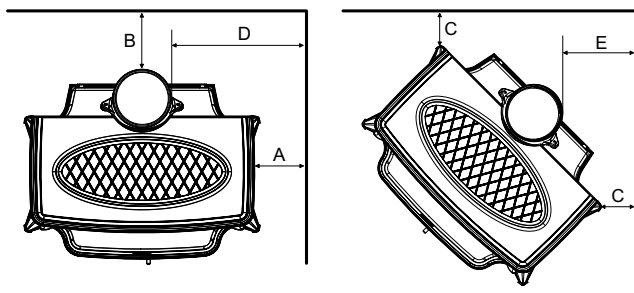
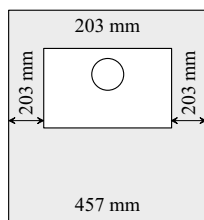
Installation dans une alcôve



Les murs ne doivent pas se prolonger devant la façade de l'appareil lorsque installé dans une alcôve.

Installation du poêle

Si le poêle est installé sur un plancher combustible, il doit être placé sur un protecteur de plancher incombustible approuvé qui doit dépasser les côtés et l'arrière du poêle de 203 mm et se prolonger de 457 mm sur le devant.



Raccord simple paroi

	Type 1	Flue configuration	
		Horizontal	Vertical
DU POËLE	A	406 mm	406 mm
	B*	559 mm	559 mm
	C	381 mm	381 mm
DU CONDUIT	D	635 mm	635 mm
	E	...	559 mm

* Une distance minimum de 559 mm sera maintenue entre le mur combustible et le raccord de cheminée.

Afin d'obtenir ces mesures de dégagement, il faut utiliser des raccords double parois homologués pour une distance de 305 mm ou moins par rapport aux matériaux combustibles.

	Type 2	Flue configuration	
		Horizontal	Vertical
DU POËLE	A	406 mm	406 mm
	B	356 mm	356 mm
	C	381 mm	381 mm
DU CONDUIT	D	635 mm	635 mm
	E	...	406 mm

INSTALLATION AVEC LE KIT SOUFFLERIE EP63

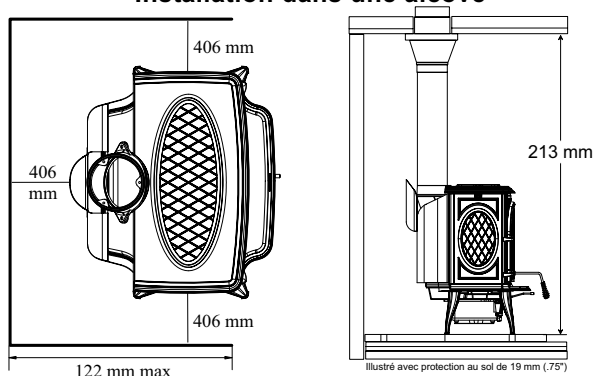
Les installations avec des dégagements réduits doivent se conformer aux normes NFPA211 ou CAN/CSA-B365.

Installation dans une alcôve

Le modèle 1600C-1 peut être installé dans une alcôve de profondeur inférieure à 122 mm et d'une hauteur d'au moins 213 mm, équipé d'un conduit mural double enveloppe homologué posé à une distance minimum de 305 mm des matériaux combustibles.

Les distances minimum sont comme indiqué.

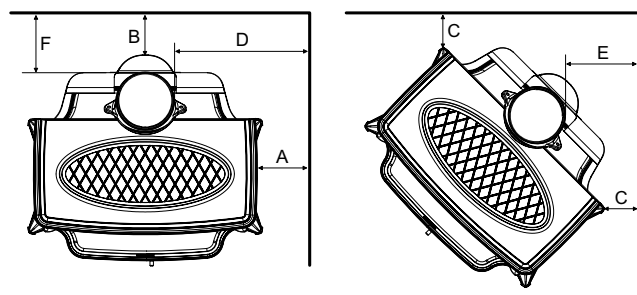
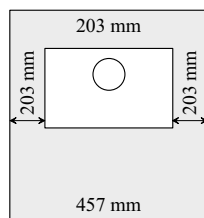
Installation dans une alcôve



Les murs ne doivent pas se prolonger devant la façade de l'appareil lorsque installé dans une alcôve.

Installation du poêle

Si le poêle est installé sur un plancher combustible, il doit être placé sur un protecteur de plancher incombustible approuvé qui doit dépasser les côtés et l'arrière du poêle de 203 mm et se prolonger de 457 mm sur le devant.



Raccord simple paroi

	Type 1	Flue configuration	
		Horizontal	Vertical
DU POËLE	A	406 mm	406 mm
	B*	254 mm	406 mm
	C	280 mm	280 mm
DU CONDUIT	D	635 mm	635 mm
	E	...	457 mm
	F	...	457 mm

* Une distance minimum de 457 mm sera maintenue entre le mur combustible et le raccord de cheminée.

Afin d'obtenir ces mesures de dégagement, il faut utiliser des raccords double parois homologués pour une distance de 305 mm ou moins par rapport aux matériaux combustibles.

	Type 2	Flue configuration	
		Horizontal	Vertical
DU POËLE	A	406 mm	406 mm
	B	254 mm	254 mm
	C	280 mm	280 mm
DU CONDUIT	D	635 mm	635 mm
	E	...	406 mm
	F	...	305 mm

Raccordement de la cheminée

Un conduit de raccordement à paroi simple de 6" de diamètre utilisé pour raccorder le poêle à la cheminée doit être installé avec l'extrémité gaufrée (partie mâle) sur la buse du poêle. Ceci permettra à l'humidité du bois en combustion de retourner dans la chambre de combustion. Chaque joint de raccordement doit être fixé à l'aide de trois vis à métal.

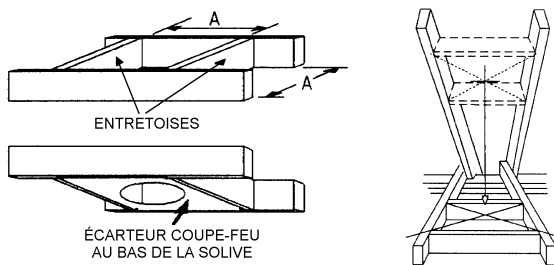
Cet appareil de chauffage doit être raccordé à :

1) Une cheminée qui se conforme aux exigences des cheminées préfabriquées de type HT résidentiel et selon le Building Heating Appliance UL 103.

ou

2) Une cheminée en maçonnerie avec chemisage intégral conforme aux codes et aux exigences.

Raccorder le poêle à une cheminée de maçonnerie ou une cheminée isolée en acier inoxydable approuvée. Le tuyau à fumée de 6" (150 mm) de diamètre doit être aussi court que possible. Le raccordement à la cheminée de maçonnerie doit se faire à l'aide d'un manchon métallique ou de maçonnerie cimenté en place. Une cheminée métallique isolée doit être supportée au plafond ou au toit et son installation doit être conforme aux instructions de son manufacturier.



LA LONGUEUR TOTALE DU TUYAU À FUMÉE NE DEVRAIT PAS EXCÉDER 40' DE LA HAUTEUR DE LA CHEMINÉE AU-DESSUS DU POÊLE.

Tout tuyau à fumée doit posséder une pente légère vers le haut (1/4" au pied / 6 mm au 0.3 m) en direction de la cheminée et toutes les connexions doivent être hermétiques en plus d'être solidifiées par trois vis à métal espacées également.

Un tuyau à fumée non isolé ne doit pas traverser un grenier, un entre-toit, un placard ou autre endroit dissimulé similaire, ou traverser un plancher, un plafond, un mur ou une cloison, ou toute autre construction combustible.

N'UTILISEZ AUCUN MATÉRIAU DE FORTUNE DURANT L'INSTALLATION.

1. Posez le poêle en position. Repérez le centre du tuyau de façon à ne pas avoir, si possible, à couper les soliveaux. Utilisez un fil à plomb pour aligner le centre du tuyau.

2. Découpez et charpentez une ouverture dans le toit. Un dégagement minimal de 2" entre la cheminée et les matériaux combustibles doit être maintenu.

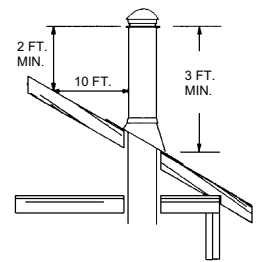
NE REMPLISSEZ CET ESPACE D'AUCUN MATÉRIEAUX.

Des boutisses devraient être placées entre les soliveaux et clouées en place pour assurer un support additionnel. Pour tout plancher ou plafond traversé par la cheminée, les espaceurs/coupe-feu doivent être fixés à la base de la charpente de l'ouverture.

3. Déterminez les dimensions de l'ouverture à découper dans le toit à l'aide d'un fil à plomb. Dessinez l'ouverture 2" plus grande sur tous les côtés que le diamètre de la cheminée afin de conserver les dégagements adéquats.

Ajout de sections de cheminée

Ajoutez des sections de cheminée selon les instructions d'installation du fabricant autant qu'il est requis pour atteindre la hauteur voulue. Le sommet de la cheminée doit dépasser d'au moins 3 pieds le point où la cheminée émerge du toit et dépasser d'au moins 2 pieds toute surface ou structure et située à l'intérieur d'une distance horizontale de 10 pieds. Si, à l'intérieur de l'attique, votre cheminée est entourée, un écran protecteur pour les chevrons est requis.

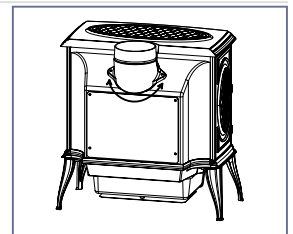


Air extérieur

Si possible, raccordez la prise d'air à la base de l'appareil avec une prise d'air extérieur de 4" (100 mm) de diamètre disponible chez votre détaillant Napoléon/Wolf Steel Itée. Suivez les instructions de "Air extérieur de maison mobile".

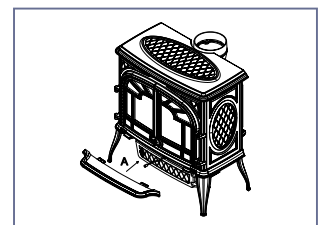
Inversion du collet de conduit d'évacuation

Le collet de conduit d'évacuation est orienté pour une évacuation sur le dessus. Retirez les deux boulons, et tournez le collet 180 degrés. Fixez le collet en place à l'aide des deux boulons, écrous et rondelles.



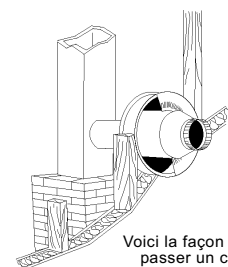
Installation du récupérateur de cendre

Pour éviter des dommages pendant le transport, le récupérateur de cendre a été placé derrière la porte de l'appareil. Pivotez le récupérateur de cendre sur la patte "A" et abaissez pour le placer.



Évacuation à travers un mur

Si possible, l'installation des conduits de raccordement ne doit pas passer à travers un mur combustible. S'il faut absolument passer à travers un mur combustible, consultez votre inspecteur en bâtiment avant de procéder. Consultez aussi le fabricant des conduits de raccordement pour toutes contraintes particulières.



Voici la façon idéale de passer un conduit de raccordement à travers un mur combustible jusqu'à la cheminée de maçonnerie.

Consultez votre détaillant pour tout composant de raccordement à travers un mur dont vous auriez besoin.

N'utilisez que les pièces qui ont été testées et certifiées pour des installations à travers un mur.

Installation de l'écran de dessous

L'écran de dessous placé dans le poêle doit être installé sous l'appareil avec 2 vis prévues. Reportez vous à la page 8 afin de respect le sens de montage de l'écran de dessous.

INSTALLATION DANS UNE MAISON MOBILE

LE MODÈLE 1600C-1 EST HOMOLOGUÉ POUR INSTALLATION DANS LES MAISONS MOBILES AU CANADA ET AUX ÉTATS-UNIS.

Le poêle doit être fixé au plancher de la maison mobile.

Avertissement!

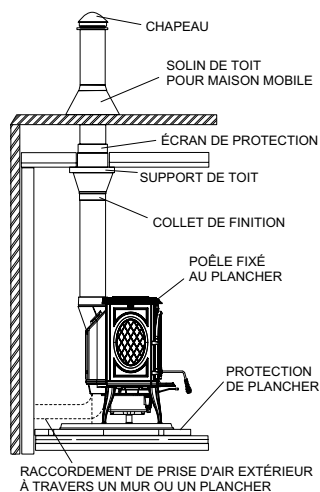
N'installez pas ce poêle dans une chambre à coucher. N'installez pas ce poêle de façon à compromettre l'intégrité structurale du plancher, des murs, du plafond ou du toit de la maison mobile.

L'évacuation

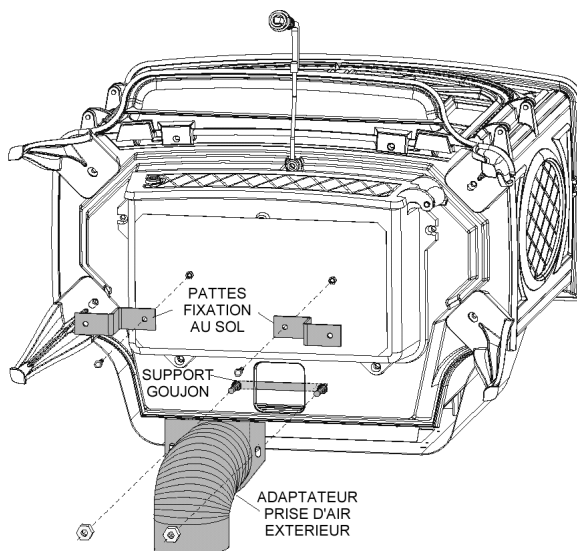
Raccordez le poêle à la cheminée en utilisant un conduit de raccordement à double paroi certifié. Utilisez un système de cheminée homologué selon la norme ULC S629 au Canada ou l'équivalent aux États-Unis.

Ces équipements doivent être installés conformément aux instructions de leurs fabricants. N'utilisez que les composants spécifiés. Les substitutions ne sont pas acceptables. La cheminée et le tuyau de raccordement doivent se prolonger d'au moins 8 pi au-dessus du poêle et 3 pi au-dessus du point le plus élevé sur le toit. Au sommet, installez un chapeau qui ne restreindra pas le passage de la fumée. La cheminée doit être supportée au plafond ou au toit de façon à ce que son poids ne repose pas sur le poêle.

Elle doit être installée entre les solives de plafond en utilisant un écran de protection et un solin de toit pour que la solidité de l'ossature, l'isolation et l'imperméabilité de la maison ne soient pas diminuées. Scellez avec du silicone pour maintenir une barrière thermique à la cheminée et aux ouvertures par lesquelles pénètrent les conduits d'air extérieur.



Adaptateur pour prise d'air extérieur 113KT



Lorsque vous installez le 1600C-1 dans une maison mobile, utilisez l'ensemble de prise d'air extérieur 111KT conjointement avec l'adaptateur pour prise d'air extérieur 113KT.

Retirez les deux vis situées en dessous de l'appareil et installez les deux supports de fixation pour plancher à l'aide de deux vis retirées.

Installez l'adaptateur pour prise d'air extérieur en insérant le support goujon de sorte que les goujons passent par les trous indiqués.

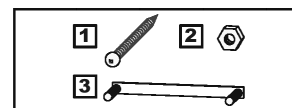
Maintenez le support goujon en place et alignez les trous de l'adaptateur pour prise d'air extérieur avec les goujons du support.

Fixez l'adaptateur en place à l'aide des 2 écrous fournis.

Fixez l'appareil au plancher à l'aide des deux supports de fixation et des deux vis longues fournies.

Matériaux inclus :

#	Qté	Description
1	2	vis # 10x1,5"
2	2	écrous
3	1	support goujon



Air extérieur/fixation au plancher

Le raccordement de la prise d'air du poêle sur l'extérieur ainsi que la fixation au plancher n'est obligatoire que pour les maisons mobiles. Utilisez un ensemble de prise d'air extérieur et des supports de fixation pour plancher.

Évitez de sectionner les solives de plancher, les montants muraux, les câbles électriques ou les éléments de plomberie. Pour prévenir les courants d'air, scellez le contour du conduit d'air extérieur avec de l'isolation.

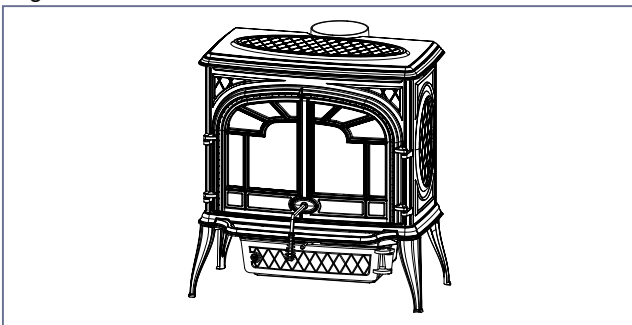
Si la pièce est privée d'air parce que la prise d'air extérieur est obstruée par de la glace, des feuilles etc. ou parce que la porte du poêle est demeurée ouverte ou à cause d'un ventilateur puissant en opération etc., des vapeurs et des fumées dangereuses pourraient être aspirées dans la pièce.

INSTRUCTIONS D'OPÉRATION

AVERTISSEMENT : Objects placed in front of the fire place should be kept a minimum of 48" from the front face.

ATTENTION : N'utilisez jamais d'essence, d'huile à lampe, de kérosène, d'essence à briquets ou autres liquides similaires pour allumer ou raviver un feu dans cet appareil. Gardez tous ces liquides loin du poêle lorsqu'il est en fonction.

Votre appareil Napoléon certifié aux normes EPA, est une unité de haute technologie, conçue selon les principes technologiques les plus avancés. Cet appareil est extrêmement hermétique et est équipé d'une alimentation directe d'air comburant exclusive (ensemble optionnel), un dispositif de sécurité qui empêche les écoulements afin de garder votre maison exempte de monoxyde de carbone, advenant un refoulement de cheminée ou une pression négative interne.



Lors du premier allumage

Le poêle émettra une légère odeur pendant quelques heures. C'est un état provisoire normal provoqué par la combustion des peintures internes et des lubrifiants utilisés dans le processus de fabrication et ne se produira plus par la suite. Ouvrez simplement une fenêtre pour aérer suffisamment la salle pendant les premières heures de fonctionnement.

Pour commencer, un feu vif est nécessaire. Placez du papier chiffonné sur la grille et couvrez de bois d'allumage. Ouvrez la commande d'air entièrement en la déplaçant vers la droite. Allumez le papier et laissez la porte légèrement entrebâillée (un pouce) jusqu'à ce que tout le bois d'allumage soit enflammé. Pour maintenir un feu vif, un lit de braises chaud doit être établi et maintenu.

Ajoutez lentement du bois de plus grande taille (morceaux de taille 2" x 4"). Répartir les morceaux de bois en longueur d'un côté à l'autre du lit de braises chaud séparé par un fossé peu profond, de sorte que l'air primaire puisse s'écouler directement dans ce fossé et mettre à feu le combustible au dessus. Quand le feu semble être à son point haut, des bûches de tailles moyennes peuvent être ajoutées. Une fois que ces bûches sont enflammées, fermez soigneusement la porte (la fermeture de la porte trop rapide après réapprovisionnement en combustible réduira la température et engendrera une combustion insuffisante). Rappelez-vous qu'il est plus efficace de brûler des bûches de dimension moyenne à feu vif et de recharger en combustible fréquemment que de charger la cheminée avec des grandes bûches qui a comme conséquence un feu couvant, inefficace et une vitre sale.

Dès que la porte sera fermée, vous observerez un changement de la forme des flammes. Les flammes deviendront plus petites et plus paresseuses parce qu'il y a moins d'oxygène qui entre dans la chambre de combustion. Les flammes, cependant, sont plus efficaces.

Les flammes resteront paresseuses mais plus grandes dès que le poêle sera complètement chaud et que la cheminée soit chaude et fournisse un bon tirage.

Le feu grondant que vous voyez quand la porte est ouverte entraîne inutilement l'air chaud de la pièce vers le haut de la cheminée – ce qui n'est pas souhaitable. Fonctionnez toujours avec la porte entièrement fermée dès que les bûches moyennes sont enflammées.

Vous pouvez maintenant ajouter de plus grands morceaux de bois et actionner le poêle normalement. Une fois que le poêle est entièrement chaud, il brûlera très efficacement avec peu de fumée dans la cheminée. Il y aura un lit de braises oranges dans la chambre de combustion et les flammes secondaires vacilleront juste au-dessous de la brique réfractaire supérieure. Vous pouvez sans risque remplir le poêle de bois jusqu'au dessus de la porte et obtiendrez les meilleures combustions si vous gardez les températures de tuyau de poêle entre 250 °F (121 °C) et 450 °F (232 °C). Un thermomètre de surface vous aidera à régler ceci.

SANS THERMOMÈTRE DE POÊLE VOUS TRAVAILLEZ À L'AVEUGLETTE ET N'AVEZ AUCUNE IDÉE DE LA FAÇON DONT LE POÊLE FONCTIONNE. UN THERMOMÈTRE DE POÊLE OFFRE UNE INDICATION DE PERFORMANCE.

Vous n'arrivez pas à faire démarrer votre feu ?

Utilisez un peu plus de bois d'allumage et de papier. Si la cheminée et le tuyau d'évacuation sont de grandeur appropriée, et si il y a suffisamment d'air comburant, alors le problème est dû au manque de petits morceaux de bois d'allumage sec en quantités suffisantes. Une grandeur adéquate pour le bois d'allumage serait de la taille de votre pouce..

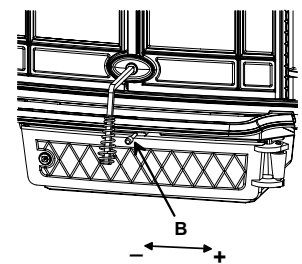
Votre poêle n'émet pas assez de chaleur ?

L'une de deux choses a pu arriver. La porte du poêle a été fermée prématurément et le poêle n'a pas atteint la température optimale. Ouvrez la porte et/ou le contrôle de tirage à nouveau afin de reconstruire un feu pétillant. Du bois mouillé pourrait être la deuxième cause. Un bois grésillant d'où s'échappe l'humidité en est le symptôme typique..

Créer un tirage approprié

Le tirage est la force qui entraîne l'air du poêle par la cheminée. Le niveau de tirage dans votre cheminée dépend de la longueur et du diamètre de la cheminée, de la géographie locale, des obstructions voisines et d'autres facteurs. En ajustant le clapet d'air (B) on règle la température. Le tirage peut être ajustée d'une allure de chauffe minimale avec la commande entièrement fermée, à une allure de chauffe rapide avec la commande entièrement ouverte.

Un tirage insatisfaisant peut causer un retour de fumée dans la salle par les points de connection du poêle et de la cheminée et peut causer le blocage de la cheminée. Trop de tirage peut causer une température excessive dans le poêle, faire rougir les pièces du poêle, les connections de cheminée ou une allure de chauffe incontrôlable qui peut mener à un feu de cheminée ou à des dommages permanents.



Extincteurs et détecteurs de fumée

Toutes les maisons possédant un poêle à bois devraient conserver au moins un extincteur d'incendie dans un emplacement central connu de tous et au moins un détecteur de fumée placé dans la pièce où le poêle est situé. Si l'alarme retentit, corrigez la cause mais ne désactivez pas, ou ne relocalisez pas, le détecteur de fumée.

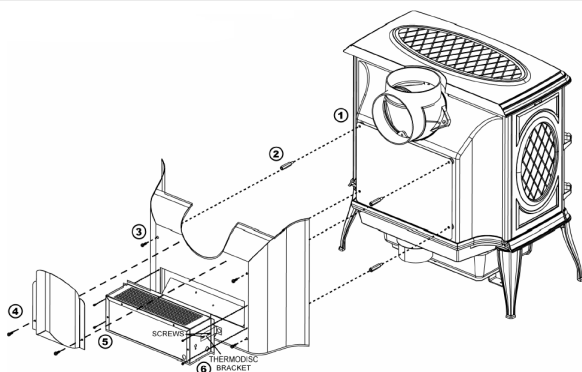
Chargement du combustible et cycle de combustion

Une fois le poêle réchauffé, remplissez le poêle avec du bois jusqu'au sommet de la porte de chargement et brûlez en réglant à feu moyen-bas, pour une efficacité maximale. On obtient une chaleur maximum pour un minimum de combustible quand le haut du poêle atteint des températures entre 500 °F (260 °C) et 600 °F (315 °C). Les briques réfractaires seront presque blanches et la vitre presque propre. Ce sont des indicateurs du fonctionnement efficace de votre poêle. Lorsque vous n'avez qu'une ou deux bûches ou que le bois ne brûle pas complètement, le poêle ne produira pas assez de chaleur. Il faut au moins 3 bûches pour arriver à avoir un lit de braises qui nourrira le feu.

Des bûches placées trop serrées les unes contre les autres brûlent moins vite que celles placées de façon plus lâche. Le bois brûle par étapes, au lieu de fournir une chaleur constante. Il est donc préférable de planifier ces cycles selon la routine de votre famille de façon à ce que suffisamment de braises soient disponibles pour allumer la charge suivante. Le soir, chargez votre poêle au moins une demi-heure avant de vous coucher, pour garantir un bon feu qui vous permettra de fermer le contrôle du tirage pour une combustion nocturne. Ne brûlez que du bois bien sec.

Il produit plus de chaleur et moins de suie et de créosote. Ne brûlez pas le bois qui a séjourné dans l'eau de mer ; le sel contenu pourra générer un acide qui ronge le métal. Lorsque vous rechargez le poêle, ouvrez la porte lentement afin d'empêcher les déversements de fumée. Lorsque vous alimentez le feu, utilisez une paire de gants assez longs (comme ceux pour le gril). Ces poêles sont propres et efficaces parce qu'ils ont une combustion vers l'avant, mais ils deviennent aussi très chauds, et les gants sont alors très utiles. Gardez une petite pelle en acier à proximité ; elle peut être utilisée comme tisonnier ou pour enlever les cendres. N'entreposez pas le bois à moins de trois pieds (un mètre) du poêle.

Soufflerie optionnelle EP63



- 1 Retirez les 4 vis de la plaque signalétique de l'appareil.
- 2 Remplacez les vis retirées par les 4 entretoises fournies.
- 3 Installez l'écran arrière en utilisant les 4 vis retirées et le fixer sur les 4 entretoises.
- 4 L'écran de buse n'est nécessaire quand cas de raccordement vertical. Lors d'un raccordement horizontal l'écran de buse peut-être retiré. Pour installer l'écran de buse, utilisez les 2 vis fournies.

5 Installez la soufflerie et le boîtier à l'aide des 4 vis fournies.

6 Desserrez les 2 vis servant à fixer le support du thermodisque et glissez le thermodisque vers l'avant jusqu'à ce qu'il touche l'écran arrière. Fixez en place en resserrant les vis.

Méthodes de décrochage

ATTENTION : Danger de températures élevées. Gardez la chute à cendres bien fermée lorsque le poêle est en fonction.

Il est essentiel de maintenir la grille exempte d'une accumulation importante de cendres.

En brûlant du combustible solide, videz toujours le cendrier au moins une fois par jour ou toutes les fois qu'il est plein des cendres. Ne laissez jamais le cendrier se remplir de façon excessive et permettre aux cendres d'être en contact avec le dessous de la grille. Si cela arrivait, la grille se détériorerait prématurément.

Des cendres chaudes peuvent être maintenues dans un récipient en métal avec un couvercle convenablement serré. Gardez le récipient fermé sur un plancher non-combustible ou la terre, bien à l'écart de tous matériaux combustibles. Les cendres devraient être maintenues dans le récipient fermé jusqu'à ce que toute la cendre se soit complètement refroidie. Des cendres de bois froides peuvent être utilisées sur le jardin ou dans le compost.

A FAIRE

1. Construisez un feu chaud.
2. Brûlez du bois sec seulement.
3. Plusieurs morceaux de dimension moyenne sont préférables à quelques gros morceaux.
4. Nettoyez la cheminée régulièrement.
5. Rechargez fréquemment en utilisant des morceaux de dimension moyenne.
6. Régler précisément les entrées d'air pour obtenir des performances optimales

A NE PAS FAIRE

1. Retirer les cendres immédiatement. Laissez-la accumuler sur une épaisseur d'au moins un pouce. Une bonne couche de cendre favorise une attisée qui brûle mieux et qui dure plus longtemps.
2. Brûler du bois humide.
3. Fermer la porte prématurément ou fermer les entrées d'air trop rapidement.
4. Brûler un gros morceau de bois plutôt que deux ou trois morceaux plus petits, de dimension plus raisonnable.
5. Brûler continuellement avec les contrôles trop fermés. Si la vitre de la porte est constamment noircie, cela veut dire que la température de la boîte à feu est trop basse.

Pare-étincelles optionnel EP90K



Lorsque vous utilisez le pare-étincelles EP90-K, le poêle 1600C-1 doit fonctionner avec les portes ouvertes.

Ce pare-étincelles ne peut être utilisé dans des maisons mobiles.

ENTRETIEN DU TAS DE BOIS

Brûlez seulement du bois non peint, propre et bien sec. Il produit plus de chaleur et moins de suie ou de créosote. Fraîchement coupé le bois contient 50% d'humidité tandis qu'après un séchage approprié seulement 20% de l'eau reste. Quand le bois brûle, l'eau bout en consommant une partie de l'énergie qui aurait dû produire de la chaleur. Plus le bois est humide, moins il y aura de chaleur et plus il y aura de créosote.

Le bois dur et le bois tendre brûlent également bien dans ce poêle mais le bois dur est plus dense, pèsera plus lourd par corde et brûlera plus lentement et plus longtemps. Le bois de chauffage devrait être fendu, empilé de sorte que l'air puisse s'étendre à toutes les parties de celui-ci et couvert en début de printemps pour être prêt à brûler à l'automne. Le bois de chauffage sec a des fissures à l'extrémité de ces veines. Coupez le bois de sorte qu'il soit disposé horizontalement, d'avant en arrière, facilitant le chargement et évitant que le bois ne roule sur la vitre.

ENTRETIEN DU POÊLE

Afin de prévenir les accumulations de suie et de créosote, vérifiez vos cheminée et tuyau à fumée toutes les semaines jusqu'à ce qu'une fréquence de nettoyage sécuritaire soit établie. Si les accumulations sont excessives, débranchez le poêle et nettoyez-le ainsi que la cheminée. A l'aide d'un aspirateur, nettoyez le déflecteur supérieur du poêle. Vous pourriez faire appel aux services d'un ramoneur professionnel pour nettoyer le poêle et la cheminée ; ils doivent être nettoyés au moins une fois l'an, ou aussi souvent que nécessaire.

ENFUMAGE : Un poêle Napoléon installé convenablement ne devrait pas fumer. Si le vôtre fume, vérifiez les points suivants : Est-ce que la cheminée a pu se réchauffer suffisamment ? Est-ce que le passage de fumée est bloqué en quelque endroit dans le poêle, le tuyau à fumée ou la cheminée ? Est-ce que la pièce est trop hermétique ? Essayez avec une fenêtre partiellement ouverte. Est-ce que le flot de fumée est restreint par un tuyau vertical trop long ou par un trop grand nombre de coudes ? S'agit-il d'un tirage faible causé par une cheminée non-hermétique, une cheminée extérieure froide, ou une cheminée trop courte ou trop près des arbres ou d'un toit plus élevé ?

Formation et enlèvement de créosote

Lorsque le bois brûle lentement, il produit du goudron et autres vapeurs organiques qui se combinent à la vapeur d'eau évacuée pour former la créosote. Ces vapeurs se condensent dans le conduit relativement froid de la cheminée d'un poêle brûlant lentement et, lorsqu'elle prend feu ; la créosote produit un feu extrêmement chaud. Par conséquent, le tuyau à fumée et la cheminée devraient être inspectés mensuellement pendant la saison de chauffage afin de déterminer si une accumulation s'est produite. Si la créosote s'est accumulée, elle doit être enlevée pour réduire le risque de feu de cheminée.

Feu de cheminée ou feu hors contrôle

Des feux hors contrôle peuvent être causés par les deux facteurs suivants :

1. L'utilisation d'un combustible inapproprié, ou des morceaux trop petits qui normalement auraient été utilisés comme feu d'allumage.
2. Une porte laissée entrouverte trop longtemps créant des températures extrêmes lorsque l'air est entraîné précipitamment par la porte ouverte.

Solutions :

1. Ne brûlez pas du bois traité ou transformé, du charbon, du charbon de bois, du papier coloré ou du carton.
2. Faites attention de ne pas surchauffer l'unité en laissant la porte ouverte trop longtemps après le démarrage initial. C'est alors qu'un thermomètre sur le tuyau de cheminée ou sur le dessus du poêle serait désirable.

Que faire si un feu hors contrôle ou un feu de cheminée se déclare ?

1. Fermez le contrôle de tirage complètement.
2. Appelez votre service d'incendies.
3. Examinez le tuyau à fumée, la cheminée, le grenier et le toit de la maison pour voir si certaines composantes sont devenues assez chaudes pour prendre feu. Si nécessaire, arrosez avec un extincteur ou avec le boyau d'arrosage du jardin.
4. Ne faites pas fonctionner le poêle avant que vous soyez certain que la cheminée et son conduit n'ont pas été endommagés.

REPLACEMENTS

Contactez votre détaillant ou l'usine concernant les questions de prix et politiques relatives aux pièces de remplacement. Normalement, toutes les pièces peuvent être commandées par votre détaillant ou le distributeur NAPOLÉON. Lorsque vous commandez des pièces de remplacement, précisez toujours l'information suivante :

1. Numéro de modèle & numéro de série du foyer

2. Date l'installation du foyer

3. Numéro de pièce

4. Description de la pièce

5. Type de finition

P = 1600CP (Peint noir)

N = 1600CN (Marron majolique)

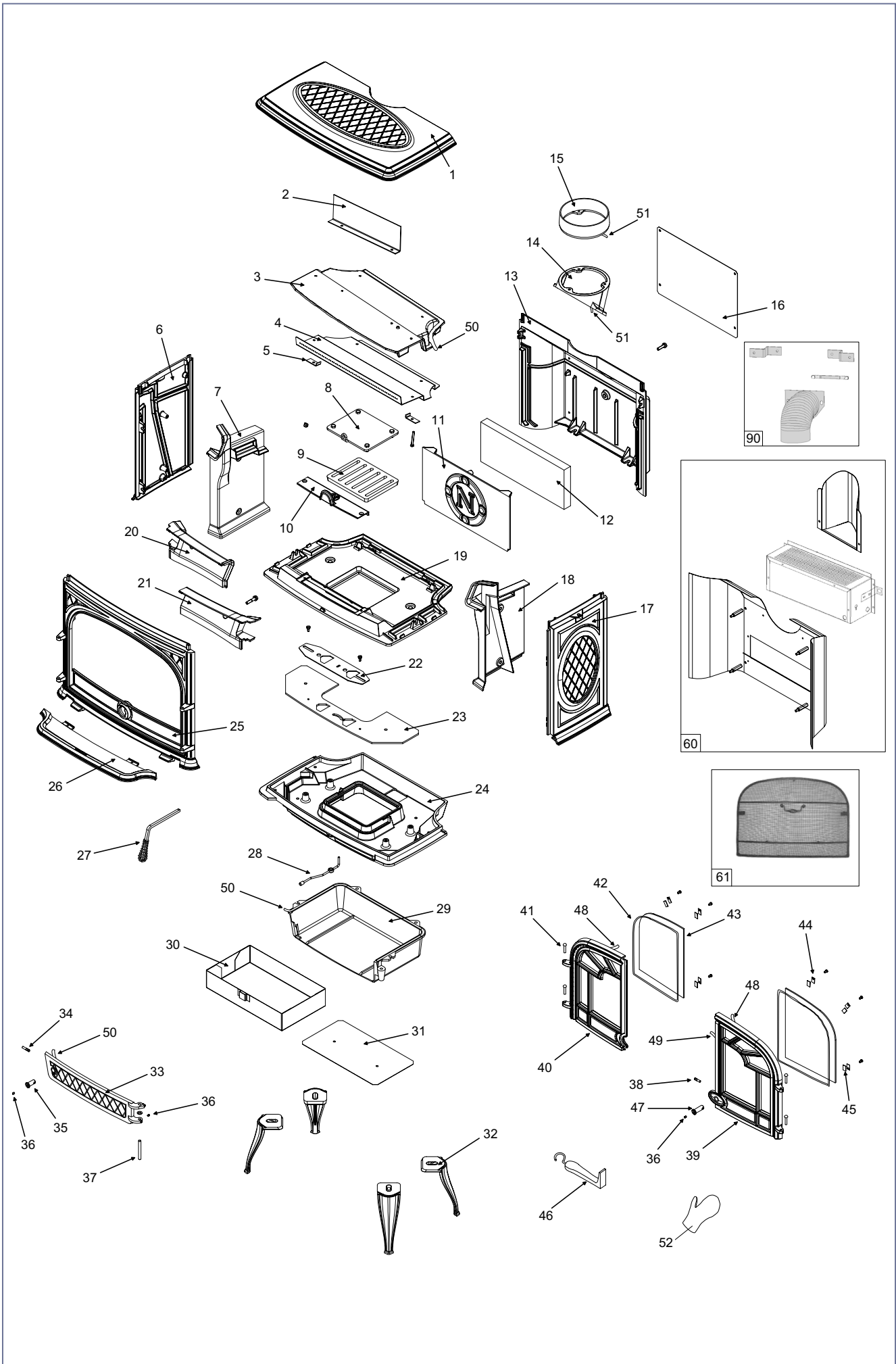
F = 1600CF (Vert majolique)

N°	Code	Description	P	N	F	Qté
1	352165	RJ Dessus			F	01
1	352165	EF Dessus	P			01
1	352165	77 Dessus		N		01
2	269443	Défecteur	P	N	F	01
3	326602	00 Chicane	P	N	F	01
4	222566	00 Chicane	P	N	F	01
5	259037	00 Patte de fixation	P	N	F	02
6	310830	RJ Côté gauche			F	01
6	310830	EF Côté gauche	P			01
6	310830	77 Côté gauche		N		01
7	305016	EF Brique gauche	P	N	F	01
8	252674	Couvercle de grille	P	N	F	01
9	309233	EF Grille	P	N	F	01
10	322718	EF Supplément support	P	N	F	01
11	330018	EF Plaque motif	P	N	F	01
12	105275	Brique d'isolation céramique	P	N	F	01
13	306285	EF Derrière	P	N	F	01
14	331001	EF Adaptateur	P	N	F	01
15	303826	EF Buse	P	N	F	01
16	157968	Plaque signalétique	P	N	F	01
17	310734	RJ Côté droit			F	01
17	310734	EF Côté droit	P			01
17	310734	77 Côté droit		N		01
18	305214	EF Brique droite	P	N	F	01
19	319738	EF Support grille	P	N	F	01
20	332000	EF Supplément conduit	P	N	F	01
21	315610	EF Conduit air	P	N	F	01
22	270411	00 Clapet d'air	P	N	F	01
23	236131	00 Plaque obturation	P	N	F	01
24	300491	EF Dessous	P	N	F	01
25	359806	RJ Façade			F	01
25	359806	EF Façade	P			01
25	359806	77 Façade		N		01
26	327905	RJ Supplément dessous			F	01
26	327905	EF Supplément dessous	P			01
26	327905	77 Supplément dessous		N		01
27	158627	Poignée ressort	P	N	F	01
28	179624	Tige de commande	P	N	F	01
29	331700	Complément cendrier	P	N	F	01
30	624045	00 Corps cendrier	P	N	F	01
31	262611	Écran de dessous	P	N	F	01
32	300132	RJ Pied			F	04
32	300132	EF Pied	P			04
32	300132	77 Pied		N		04

N°	Code	Description	P	N	F	Qty
33	301172	RJ Porte cendrier			F	01
33	301172	EF Porte cendrier	P			01
33	301172	77 Porte cendrier		N		01
34	134711	Goupille cannelée	P	N	F	01
35	101055	Axe de fermeture	P	N	F	01
36	189825	Vis M 5X6	P	N	F	03
37	101057	Axe DIAM.8	P	N	F	01
38	134714	Goupille cannelée 6X24	P	N	F	01
39	331800	RJ Porte droite			F	01
39	331800	EF Porte droite	P			01
39	331800	77 Porte droite		N		01
40	331900	RJ Porte gauche			F	01
40	331900	EF Porte gauche	P			01
40	331900	77 Porte gauche		N		01
41	110404	Clou cannelé 6X30	P	N	F	04
42	181632	Tresse céramique DIAM 6	P	N	F	2 m
43	188829	Verre néocéramique 278 X 220	P	N	F	02
44	259015	00 Patte fixation	P	N	F	08
45	142881	Joint	P	N	F	08
46	808001	ED Poignée crochet	P	N	F	01
47	101054	Axe de fermeture	P	N	F	01
48	181634	Tresse céramique DIAM 15	P	N	F	1,64 m
49	181633	Tresse céramique DIAM 10	P	N	F	1,33 m
50	181625	Tresse céramique DIAM 7	P	N	F	3,16 m
51	142316	Joint 7 X 3	P	N	F	1 m
52	134107	Gant	P	N	F	01

ACCESSOIRES

60	EP63	Soufflerie	P	N	F	
61	EP90-K	Pare-étincelles	P	N	F	
90	113KT	Adaptateur pour prise d'air extérieur	P	N	F	
	111KT	Ensemble prise d'air extérieur	P	N	F	



Free Manuals Download Website

<http://myh66.com>

<http://usermanuals.us>

<http://www.somanuals.com>

<http://www.4manuals.cc>

<http://www.manual-lib.com>

<http://www.404manual.com>

<http://www.luxmanual.com>

<http://aubethermostatmanual.com>

Golf course search by state

<http://golfingnear.com>

Email search by domain

<http://emailbydomain.com>

Auto manuals search

<http://auto.somanuals.com>

TV manuals search

<http://tv.somanuals.com>