



The **BigVizion** Of Home Entertainment

Optoma Technology introduces the next generation in 1080p displays: BigVizion.

BigVizion is the first customizable and modular in-wall 1080p rear projection display. Available in 100-, 90- and 80-inch (diagonal) screen sizes, the BigVizion starts a new era in rear-projection display technology.

Size is Everything

All three sizes of BigVizion feature true 1920 x 1080p resolution and stunning picture quality. And, with Texas Instruments' DLP™ technology, images won't fade or degrade over time.

Think big ... and don't look back, as BigVizion by Optoma has arrived.

Ultimate Display

Whether you are a movie connoisseur, a sports nut, a gamer or just like your television shows larger than life, BigVizion offers you possibly the best viewing experience you have ever encountered.

Attractive Space Saving Design

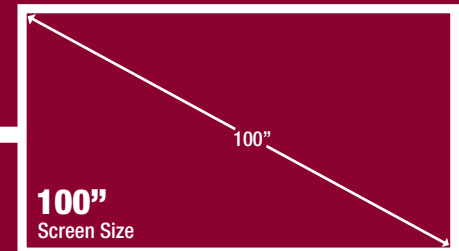
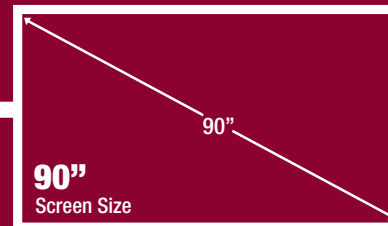
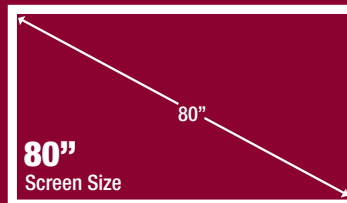
BigVizion's sleek and slim design requires less than 30 inches of depth for millwork or in-wall installation. Setting up and installing the BigVizion display is simple because of its modular design, and its customizable bezel allows it to match the décor of any room.

Lights On/Lights Off

Watch your favorite movies in the darkness of a home theater setting, or open the blinds to enjoy the big game with friends and family. Experience all the thrills of a true High-Definition big-screen display, in any type of ambient light setting.



Available Screen Sizes



BigVizion | An Architect's Dream

BigVizion takes function and style to the next level. It features native 1080p resolution, 16:9 aspect ratio and ISF_{CCC} modes. BigVizion offers the amazing performance and reliability not offered by competing displays. Applications include:

Home Entertainment

BigVizion provides the ultimate home entertainment centerpiece for consumers and adds value to any home. Slim and elegant in design, BigVizion complements any room in the house, and can even be installed in small rooms that previously may have only accommodated 36-inch televisions or smaller. And, with 1080p resolution, BigVizion offers the highest quality, High-Definition image.

Corporate

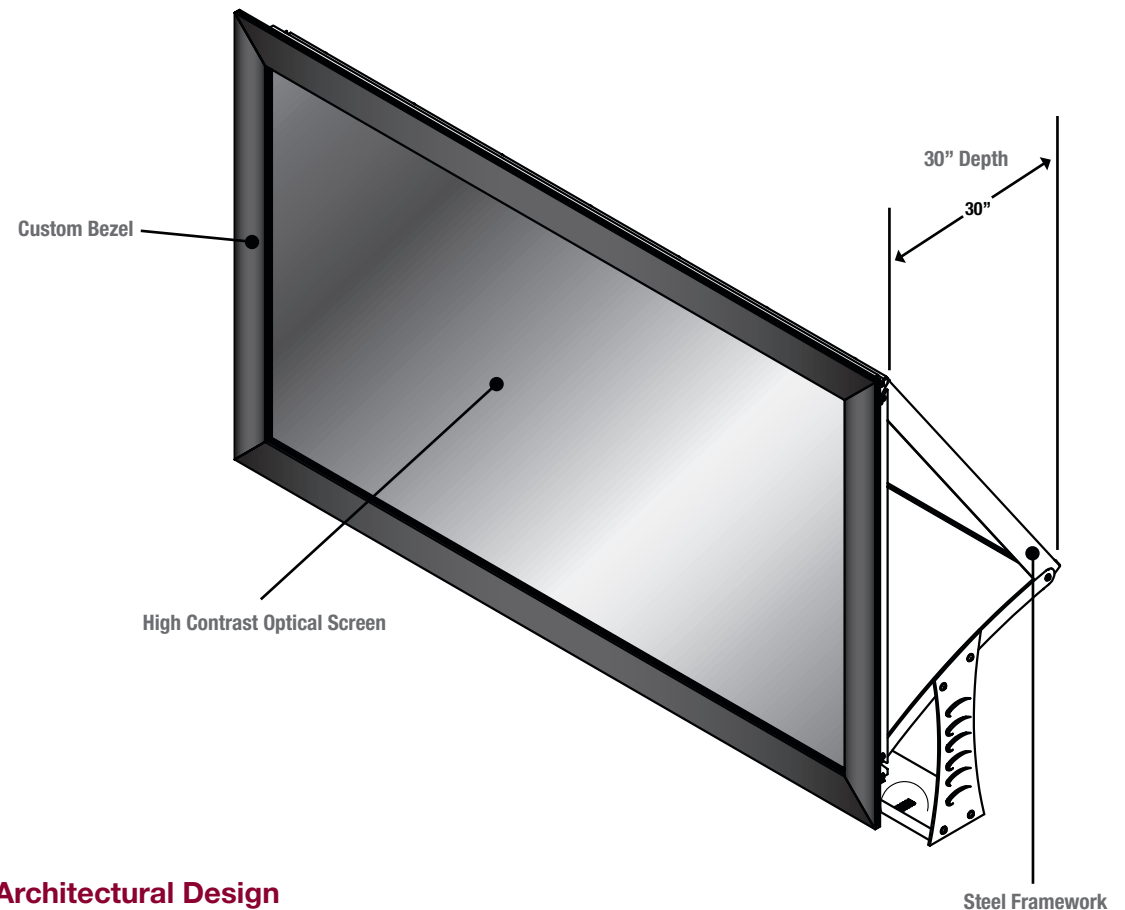
BigVizion is ideal for corporate lobbies to display greetings, messages and company promotions on an incredible large display (80-, 90- and 100-inch diagonal). Boardrooms will come to life with presentations and other multimedia applications. Take it to the next level for your corporation with BigVizion.

Homes/Villas/Deluxe Condos

Home builders will enjoy incorporating BigVizion into luxury homes, condominiums and even ocean-front villas. The BigVizion displays can only enhance the value as the demand for "home theater rooms" increases.

Hotels/Restaurants/Suites

BigVizion displays will draw crowds to hotel lobbies, bars and restaurants, with the excitement of large-screen images and amazing picture quality. Guests will seek out and visit the areas where a BigVizion is installed.



Architectural Design

- 100"/90"/80" (16:9) rear projection home entertainment system
- One (1) glass first surface mirror to reduce installation depth
- A framed optical screen with fresnel lens to maintain image uniformity.

Advanced Video

Converts All Sources to 1080p

- HDMI, VGA, RGBHV, Component, S-Video, Composite
- Any connected source especially low resolution VCR's will dramatically improve in both detail and color

Advanced De-Interlacing

- 1080i to 1080p
- Features motion adaptive de-interlacing, with auto film mode for accurate 3:2 pulldown detection

10 Bit Video Processing

- For analog inputs up to 1080i, and includes 1024 levels of grayscale adjustment for over 1 billion colors

User Definable Gamma Control

- 10 steps of predefined gamma which are generated by gamma power function from linear 1.0 to 1.6. For gamma 2.2 display, the gamma performance is from 2.2 to 2.6

Advanced Noise Reduction

- Noticeably improves the image quality of video especially from analog sources

Supports ISF3C Modes

- ISF modes for calibrated day and night modes. Allows picture performance to match viewing conditions and optimize for any video source with dedicated picture setting memories

Advanced Connectivity

- Up to four YPrPb, three S-Video, three composite video, HDMI (multiple and expandable) three HDMI inputs for future upgradeability

RS-232C, Discrete IR Remote Control

- Ideal for home automation applications through external controllers, and advanced remote with full discrete plug and play function. Also includes IR expansion module to extend IR range and increase placement options

Product Specifications

Light Engine	Proprietary DLP® Light Engine
Pixel Resolution	1920 x 1080
Black Detailer	DarkChip3™
Resolution	1080p Native
Aspect Ratio	16:9
Lamp	180W (100"); 150W (80"/90")
Color Wheel	6-Segment (10,800 RPM)
Projection Method	Rear
Contrast Ratio	10,000:1 with Dynamic Black
Screen Type	Optical 1.8 Gain High Contrast
Overscan	1%
Mirror	1 st Surface Glass with Honeycomb Support Backing for Added Stability
Frame	Modular Design Reinforced Steel Frame
System Design	Two Piece Design with One HDMI Interconnect Cable
Connectivity	Rear Input: Three HDMI, One HDMI from AV Receiver, Two YPbPr, Two RGBHV (Component), Two S-Video, Two Composite Front Input: One VGA, One S-Video, One Composite Output: One HDMI to HDMI AV Receiver (Audio), One HDMI to Display
Custom Modes	ISF _{ccc} , Day/Night
Depth	100" (30") / 90" (27") / 80" (25")
Warranty	Limited Two-Year Warranty on Frame & Mirror; One-Year on Light Engine; Six Months for Lamp



Optoma Technology, Inc.

715 Sycamore Drive, Milpitas CA 95035

Tel: 408-383-3700 • Fax: 408-383-3702

For more information about BigVizion, please visit www.OptomaUSA.com.

All specifications are subject to change without notice. Copyright © 2006 Optoma Technology, Inc. DLP® and the DLP logo are registered trademarks of Texas Instruments. All other names mentioned herein are property of their respective owners. [Cat-BVx-003]



Free Manuals Download Website

<http://myh66.com>

<http://usermanuals.us>

<http://www.somanuals.com>

<http://www.4manuals.cc>

<http://www.manual-lib.com>

<http://www.404manual.com>

<http://www.luxmanual.com>

<http://aubethermostatmanual.com>

Golf course search by state

<http://golfingnear.com>

Email search by domain

<http://emailbydomain.com>

Auto manuals search

<http://auto.somanuals.com>

TV manuals search

<http://tv.somanuals.com>