



# Installation and Assembly: Optoma Universal Projector Mount By Peerless

Model: BM-5001U

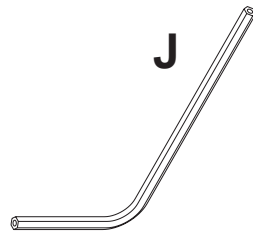
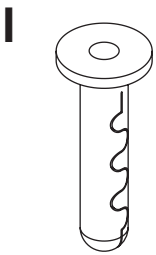
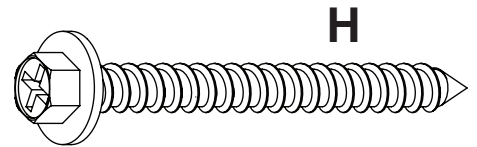
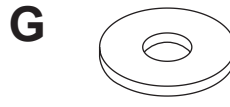
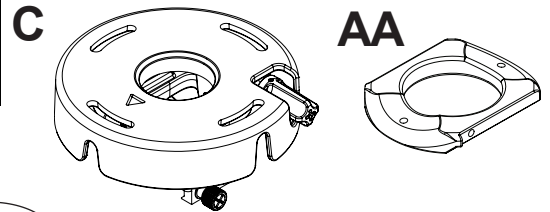
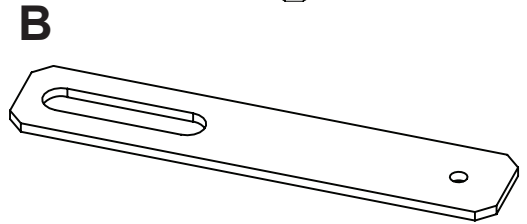
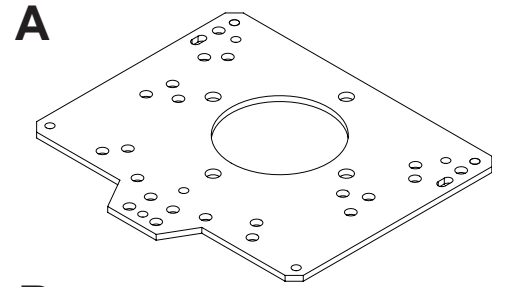
Max Load Capacity: 50 lb (22.6 kg)



This product is intended for use with UL Listed products and must be installed by a qualified professional installer.

## Parts List

| Description  | Qty. | Part #        |
|--|------|---------------|
| A main plate   | 1    | 055-1939      |
| B extension bracket                                  | 4    | 055-1940      |
| C precision gear projector mount                     | 1    | 055-KPRGU-B-3 |
| D 10-32 x 3/8" socket pin serrated washer head screw | 2    | 520-1151      |
| E 10-32 x 1/4" socket pin with lock patch            | 1    | 520-1196      |
| F 4 mm security allen wrench                         | 1    | 560-9646      |
| G 6.5 ID x 17.8 OD x 1.6 mm flat washer              | 2    | 540-1078      |
| H #14 x 2.5 hex phillips wood screw                  | 2    | 5S1-015-C03   |
| I alligator anchor                                   | 2    | 590-0097      |
| J 2 mm security allen wrench                         | 1    | 560-1097      |
| K #4 flat washer                                     | 8    | 540-1049      |
| L .219 ID x .5 OD x .125 spacer                      | 6    | 540-1032      |
| M .219 ID x .5 OD x .25 spacer                       | 4    | 540-9413      |
| N #8 flat washer                                     | 8    | 540-1001      |
| O M3 x 12 mm socket pin serrated washer head screw   | 4    | 510-1003      |
| P M4 x 16 mm socket pin serrated washer head screw   | 4    | 510-1087      |
| Q M4 x 8 mm socket pin serrated washer head screw    | 4    | 510-1005      |
| R M6 x 16 mm socket pin screw                        | 4    | 520-1132      |
| AA connection block                                  | 1    | 580-1065      |



**NOTE:** The following pages show the attachment points and hardware required to attach main plate to projectors.

**NOTE:** Before installation review the directory on page 2 to find projector configuration.

# 1 Locate Projector Model, Corresponding Page

| Projector Model Directory |         |      |       |           |         |      |       |           |         |      |       |           |         |      |       |
|---------------------------|---------|------|-------|-----------|---------|------|-------|-----------|---------|------|-------|-----------|---------|------|-------|
| Projector                 | Config. | Page | Screw | Projector | Config. | Page | Screw | Projector | Config. | Page | Screw | Projector | Config. | Page | Screw |
| DS611                     | F       | 7    | 4     | EP1691    | D       | 6    | 4     | HD200X    | A       | 4    | 3     | TW775     | I       | 8    | 6     |
| DS316                     | A       | 4    | 3     | EP7155    | D       | 6    | 4     | HD640     | A       | 4    | 3     | TW1692    | D       | 6    | 4     |
| DS317                     | F       | 7    | 4     | ES520     | F       | 7    | 4     | HD700X    | A       | 4    | 3     | TWR1693   | J       | 9    | 3     |
| DV11                      | A       | 4    | 3     | ES522     | F       | 7    | 4     | HD710     | A       | 4    | 3     | TX532     | F       | 7    | 4     |
| DX606V                    | A       | 4    | 3     | ES526     | A       | 4    | 3     | HD803     | E       | 6    | 4     | TX536     | A       | 4    | 3     |
| DX607                     | J       | 9    | 3     | ET700XE   | A       | 4    | 3     | HD806     | E       | 6    | 4     | TX542     | A       | 4    | 3     |
| DX608                     | B       | 5    | 3     | EW536     | A       | 4    | 3     | HD808     | I       | 8    | 6     | TX612     | A       | 4    | 3     |
| DX609V                    | A       | 4    | 3     | EW1610    | A       | 4    | 3     | HD930     | E       | 6    | 4     | TX615     | A       | 4    | 3     |
| DX612                     | F       | 7    | 4     | EX530     | F       | 7    | 4     | HD980     | E       | 6    | 4     | TX727     | A       | 4    | 3     |
| DX617                     | F       | 7    | 4     | EX525ST   | H       | 8    | 4     | HD2200    | A       | 4    | 3     | TX728     | A       | 4    | 3     |
| DX619                     | A       | 4    | 3     | EX532     | F       | 7    | 4     | HD6800    | B       | 5    | 3     | TX735     | F       | 7    | 4     |
| EP620                     | A       | 4    | 3     | EX536     | A       | 4    | 3     | HD7000    | A       | 4    | 3     | TX761     | A       | 4    | 3     |
| EP721                     | A       | 4    | 3     | EX542     | A       | 4    | 3     | HD7200    | E       | 6    | 4     | TX763     | A       | 4    | 3     |
| EP726S                    | A       | 4    | 3     | EX612     | A       | 4    | 3     | HD8000    | E       | 6    | 4     | TX765W    | G       | 7    | 4     |
| EP727                     | A       | 4    | 3     | EX615     | A       | 4    | 3     | HD8000-LV | E       | 6    | 4     | TX770     | A       | 4    | 3     |
| EP728                     | A       | 4    | 3     | GT700     | A       | 4    | 3     | HD8200    | I       | 8    | 6     | TX771     | J       | 9    | 3     |
| EP738                     | A       | 4    | 3     | GT720     | A       | 4    | 3     | HD806ISF  | E       | 6    | 4     | TX773     | B       | 5    | 3     |
| EP741                     | A       | 4    | 3     | HC815     | E       | 6    | 4     | HD8600    | I       | 8    | 6     | TX774     | J       | 9    | 3     |
| EP751                     | C       | 5    | 3     | HD20      | A       | 4    | 3     | HT720     | A       | 4    | 3     | TX775     | J       | 9    | 3     |
| EP758                     | C       | 5    | 3     | HD22      | A       | 4    | 3     | HT1080    | E       | 6    | 4     | TX778W    | G       | 7    | 4     |
| EP759                     | C       | 5    | 3     | HD32      | A       | 4    | 3     | HT1200    | E       | 6    | 4     | TX779     | K       | 10   | 4     |
| EP761                     | A       | 4    | 3     | HD65      | A       | 4    | 3     | PRO150S   | A       | 4    | 3     | TX780     | C       | 5    | 3     |
| EP763                     | A       | 4    | 3     | HD66      | A       | 4    | 3     | PRO350W   | A       | 4    | 3     | TX785     | I       | 8    | 6     |
| EP747                     | B       | 5    | 3     | HD70      | A       | 4    | 3     | PRO450W   | A       | 4    | 3     | TX782W    | G       | 7    | 4     |
| EP770                     | A       | 4    | 3     | HD71      | A       | 4    | 3     | PRO520X   | A       | 4    | 3     | TX1080    | E       | 6    | 4     |
| EP771                     | J       | 9    | 3     | HD72      | B       | 5    | 3     | TH1060    | K       | 10   | 4     | TX7155    | D       | 6    | 4     |
| EP772                     | J       | 9    | 3     | HD80      | E       | 6    | 4     | TS526     | A       | 4    | 3     | TX7156    | D       | 6    | 4     |
| EP774                     | J       | 9    | 3     | HD80-LV   | E       | 6    | 4     | TS721     | A       | 4    | 3     | TXR774    | J       | 9    | 3     |
| EP780                     | C       | 5    | 3     | HD82      | I       | 8    | 6     | TS725     | F       | 7    | 4     |           |         |      |       |
| EP910                     | E       | 6    | 4     | HD86      | I       | 8    | 6     | TW536     | A       | 4    | 3     |           |         |      |       |
| EP1690                    | B       | 5    | 3     | HD180     | A       | 4    | 3     | TW766W    | G       | 7    | 4     |           |         |      |       |

## Installation To Wood Joist Ceilings

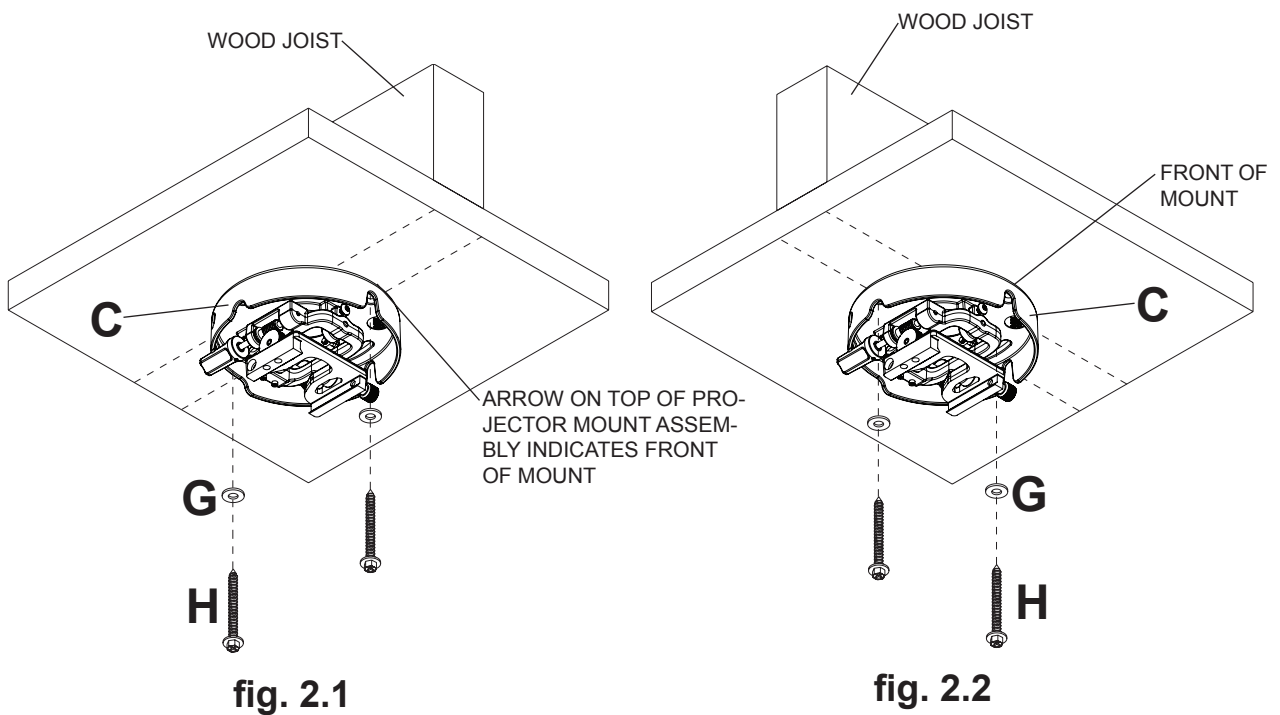
### ⚠ WARNING

- Installer must verify that the supporting surface will safely support the combined load of the equipment and all attached hardware and components.
- Tighten wood screws so that projector mount assembly is firmly attached, but do not overtighten. Overtightening can damage the screws, greatly reducing their holding power.
- Never tighten in excess of 80 in. • lb (9 N.M.).
- Make sure that mounting screws are anchored into the center of the stud. The use of an “edge to edge” stud finder is highly recommended.
- Hardware provided is for attachment of mount through standard thickness drywall or plaster into wood studs. Installers are responsible to provide hardware for other types of mounting situations.

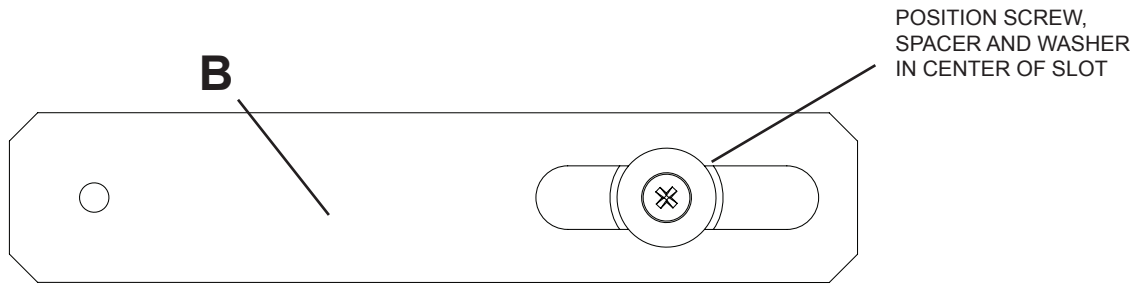
- 2** Place projector mount assembly (C) on ceiling as a template and mark the center of the two mounting holes. Make sure that the mounting holes are in the center of the wood joist. Drill two 5/32" (4 mm) dia. holes to a minimum depth of 2.5" (64 mm). Attach projector mount assembly (C) with two #14 x 2.5" (6 mm x 65 mm) wood screws (H) and two 1/4" flat washers (G) as shown in **figure 2.1** or **figure 2.2** depending on joist orientation.

**Note:** Mounting slots on projector mount assembly (C) allow for 30° (±15°) of swivel adjustment before fully securing wood screws.

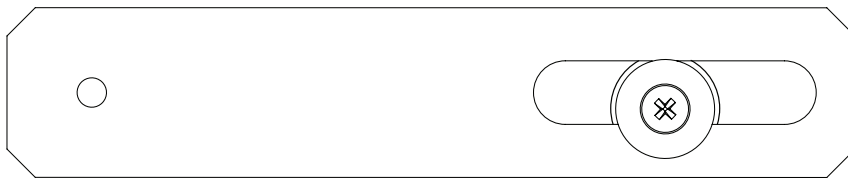
Tighten wood screws (H) using 3/8" (10 mm) socket wrench, phillips screwdriver or 10 mm open end wrench until projector mount assembly (C) is firmly attached.



**Note:** When attaching extension brackets (B) be sure to keep fasteners in the center of the slot.



**CORRECT**

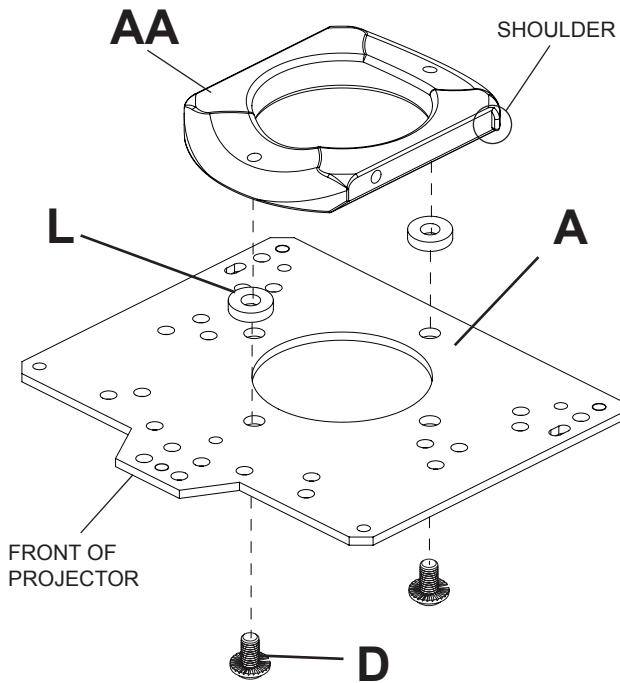


**INCORRECT**

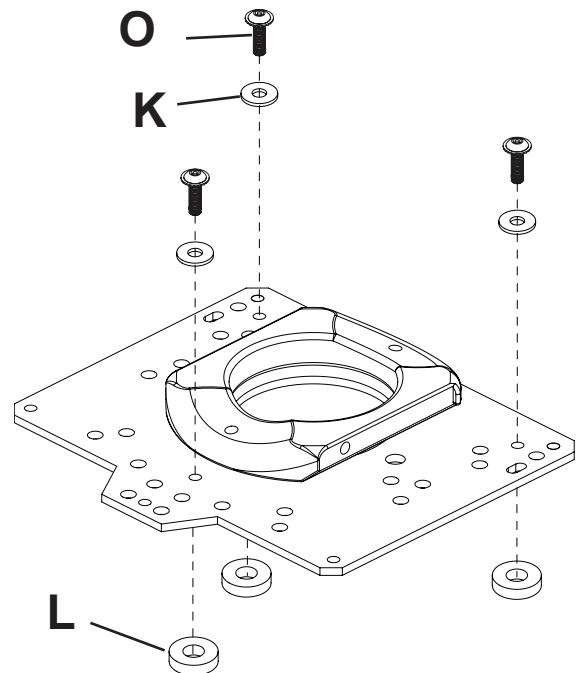
**Note:** Refer to to the Projector Mount Directory for projector mounting pattern and fasteners.

## CONFIGURATION A

**1** Attach connection block (AA) to plate (A) using two #10-32 x 3/8" serrated socket pin screws (D) (used in PRG) and .219 ID x .5 OD x .125 spacers (L).

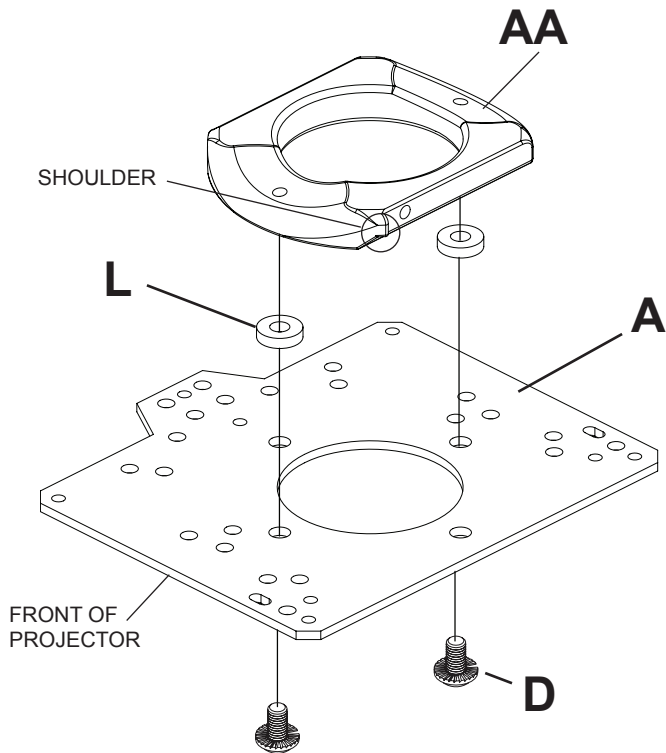


**2** Attach plate (A) to projector using three M3 x 12 mm socket pin serrated washer head screws (O), #4 flat washers (K) and spacers (L).

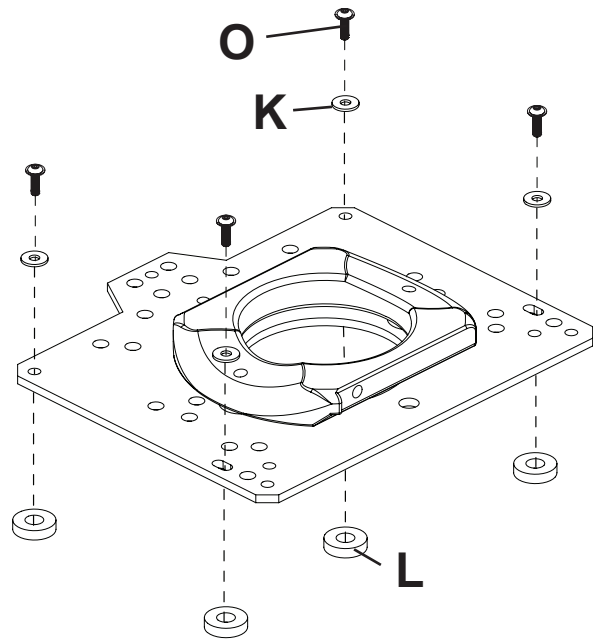


# CONFIGURATION B

- 1 Attach connection block (AA) to plate (A) using two #10-32 x 3/8" serrated socket pin screws (D) and .219 ID x .5 OD x .125 spacers (L).

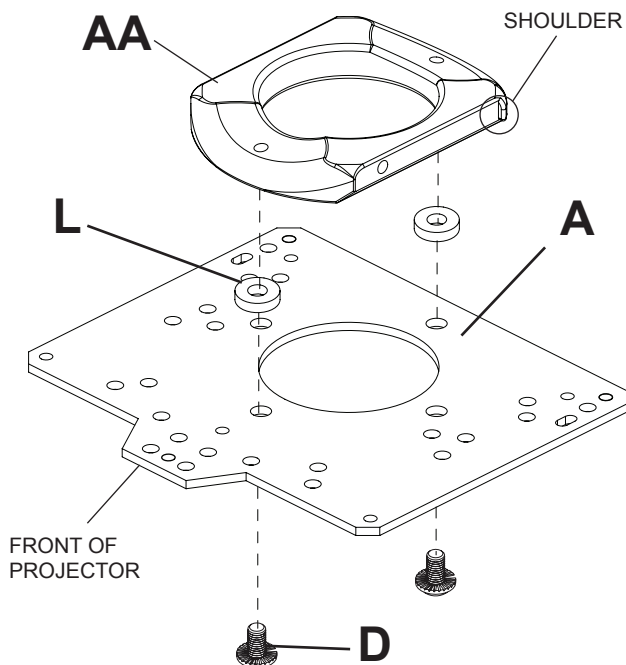


- 2 Attach plate (A) to projector using four M3 x 12 mm socket pin serrated washer head screws (O), #4 flat washers (K) and spacers (L).

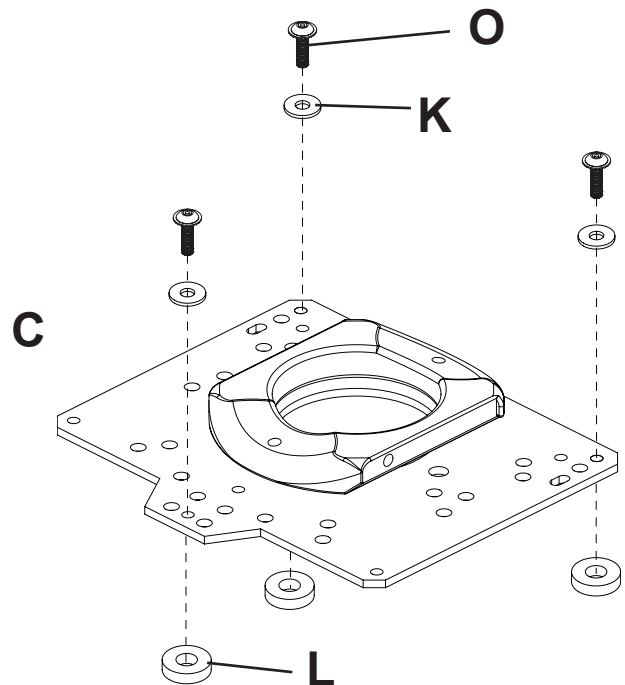


# CONFIGURATION C

- 1 Attach connection block (AA) to plate (A) using two #10-32 x 3/8" serrated socket pin screws (D) and .219 ID x .5 OD x .125 spacers (L).

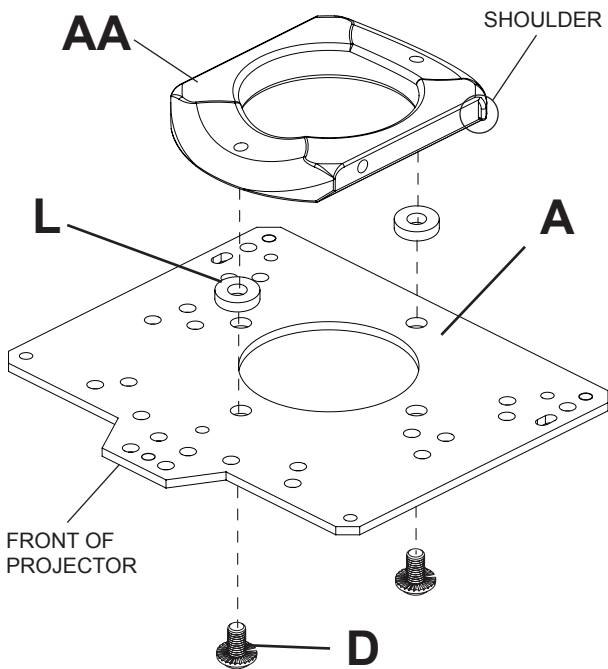


- 2 Attach plate (A) to projector using three M3 x 12 mm socket pin serrated washer head screws (O), #4 flat washers (K) and spacers (L).

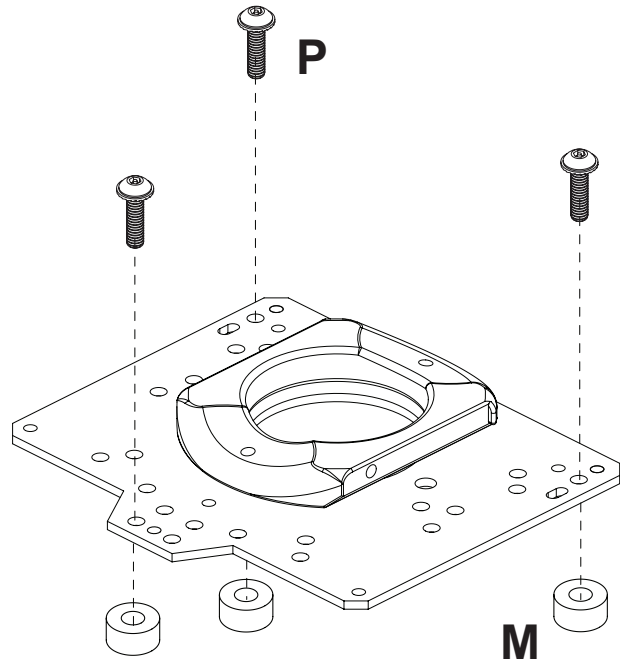


## CONFIGURATION D

- 1 Attach connection block (AA) to plate (A) using two #10-32 x 3/8" serrated socket pin screws (D) and .219 ID x .5 OD x .125 spacers (L).

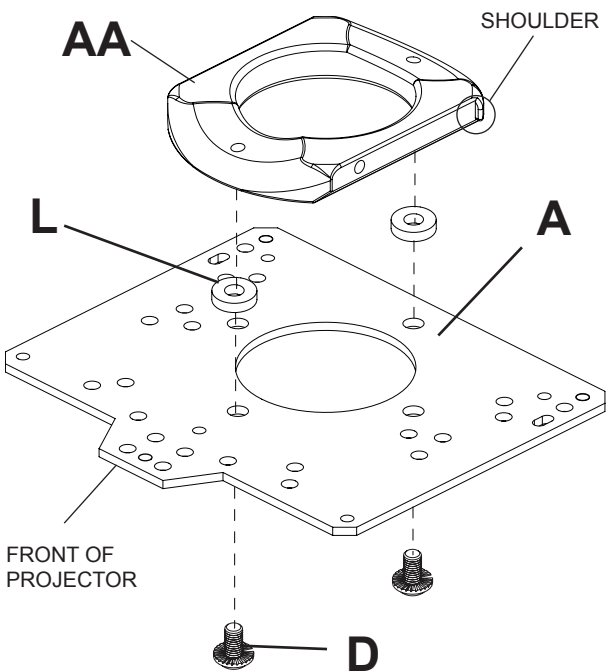


- 2 Attach plate (A) to projector using three M4 x 16 mm socket pin serrated washer head screws (P), and spacer (M).

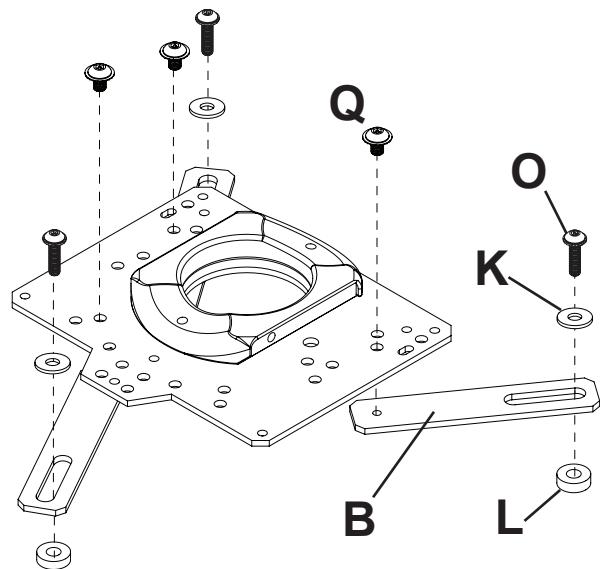


## CONFIGURATION E

- 1 Attach connection block (AA) to plate (A) using two #10-32 x 3/8" serrated socket pin screws (D) and .219 ID x .5 OD x .125 spacers (L).

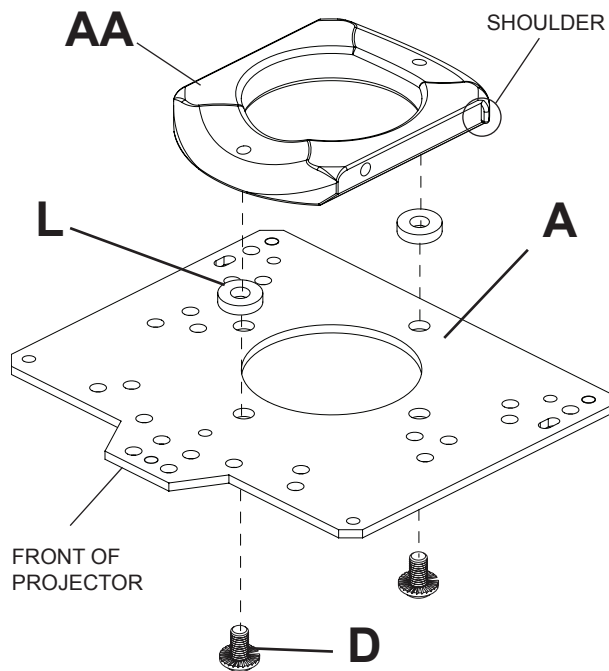


- 2 Attach three extension brackets (B) to plate (A) using three M4 x 8 mm serrated socket pin screws (Q). Attach extension brackets (B) to projector using three .125" spacers (L), #4 flat washers (K), and three M3 x 12 mm socket pin serrated washer head screws (O).

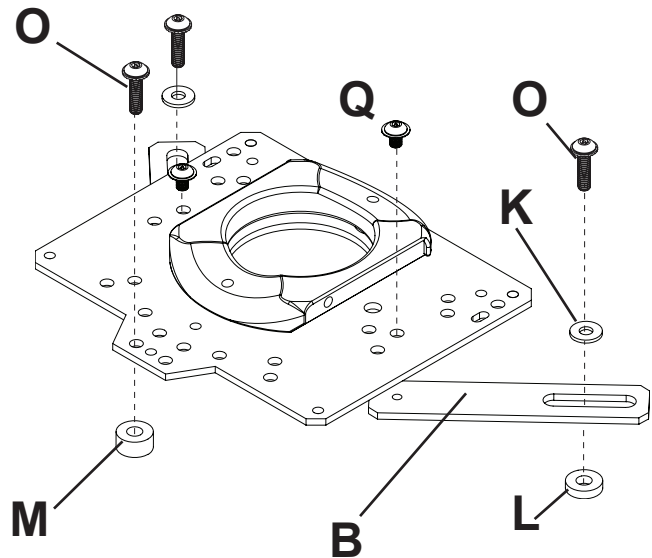


## CONFIGURATION F

- 1 Attach connection block (AA) to plate (A) using two #10-32 x 3/8" serrated socket pin screws (D) and .219 ID x .5 OD x .125 spacers (L).

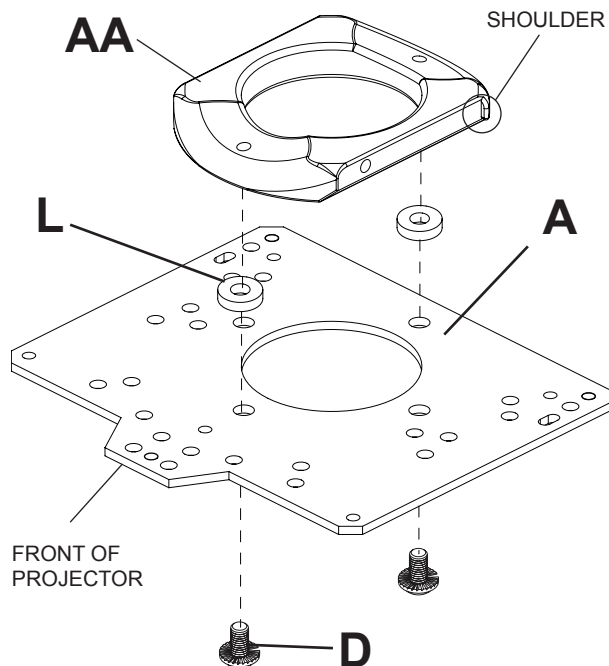


- 2 Attach two extension brackets (B) to plate (A) using two M4 x 8 mm serrated socket pin screws (Q). Attach plate (A) to projector using one .25" spacer (M), and one M3 x 12 mm screw (O). Attach extension brackets (B) to projector using two M3 x 12 mm screws (O), flat washers (K), and .125" spacers (L).

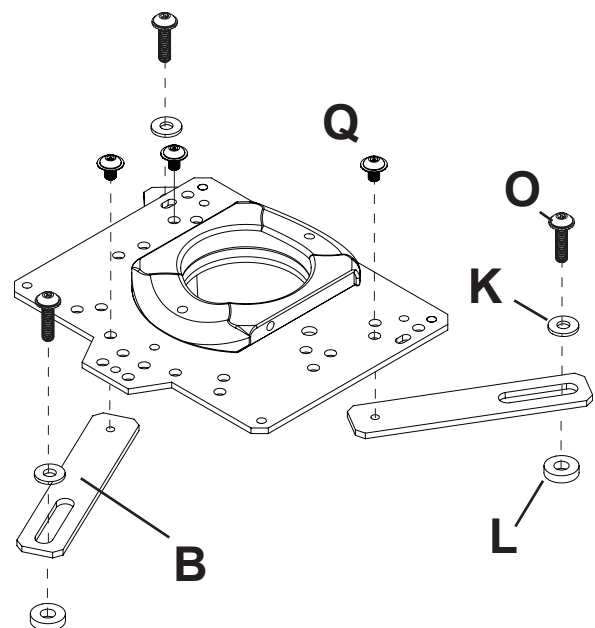


## CONFIGURATION G

- 1 Attach connection block (AA) to plate (A) using two #10-32 x 3/8" serrated socket pin screws (D) and .219 ID x .5 OD x .125 spacers (L).

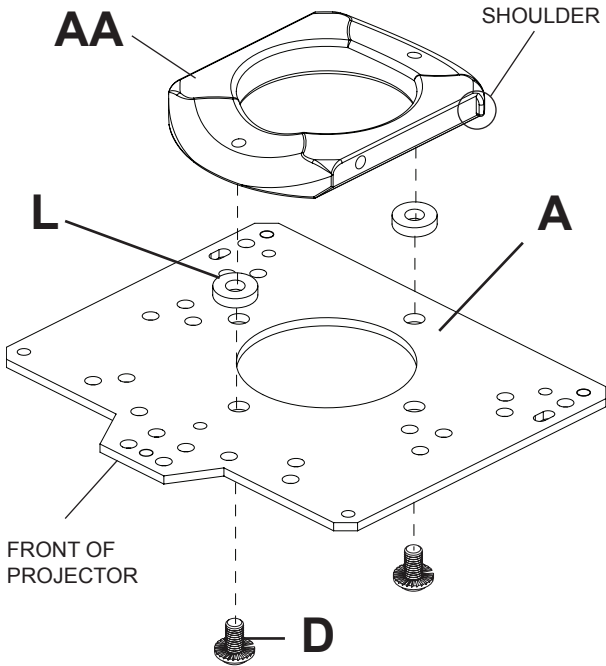


- 2 Attach three extension brackets (B) to plate (A) using three M4 x 8 mm serrated socket pin screws (Q). Attach extension brackets (B) to projector using three .125" spacers (L), #4 flat washers (K), and three M3 x 12 mm socket pin serrated washer head screws (O).

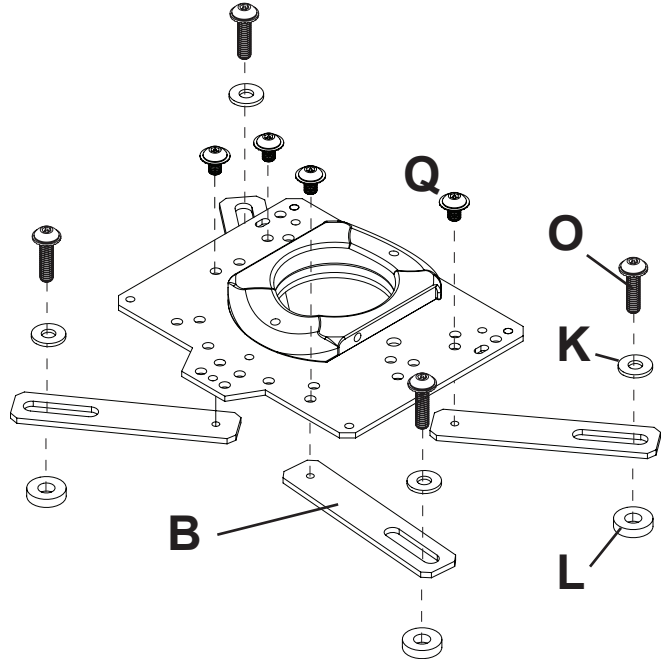


# CONFIGURATION H

- 1 Attach connection block (AA) to plate (A) using two #10-32 x 3/8" serrated socket pin screws (D) and .219 ID x .5 OD x .125 spacers (L).

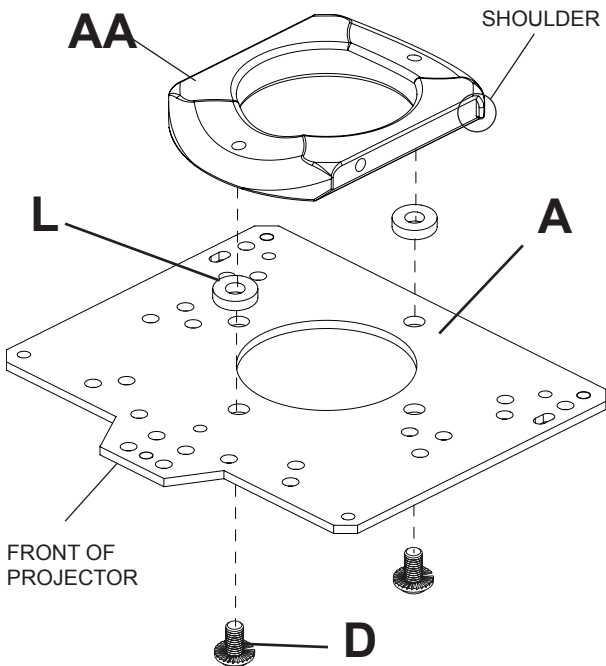


- 2 Attach four extension brackets (B) to plate (A) using four M4 x 8 mm serrated socket pin screws (Q). Attach extension brackets (B) to projector using four .125" spacers (L), #4 flat washers (K), and four M3 x 12 mm socket pin serrated washer head screws (O).

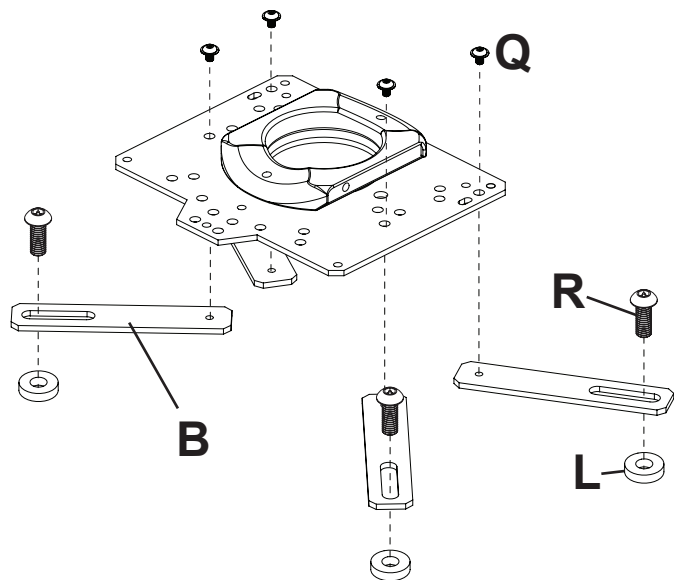


# CONFIGURATION I

- 1 Attach connection block (AA) to plate (A) using two #10-32 x 3/8" serrated socket pin screws (D) and .219 ID x .5 OD x .125 spacers (L).



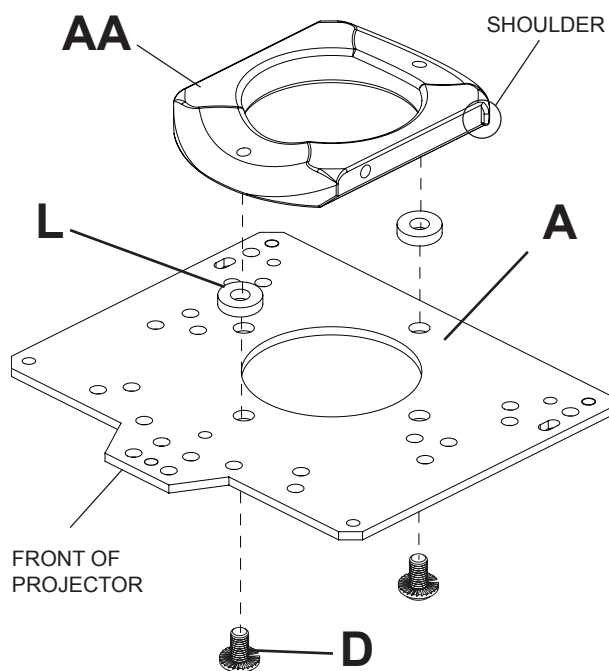
- 2 Attach four extension brackets (B) to plate (A) using four M4 x 8 mm serrated socket pin screws (Q). Attach extension brackets (B) to projector using four .125" spacers (L), and four M6 x 16 mm socket pin serrated washer head screws (R).



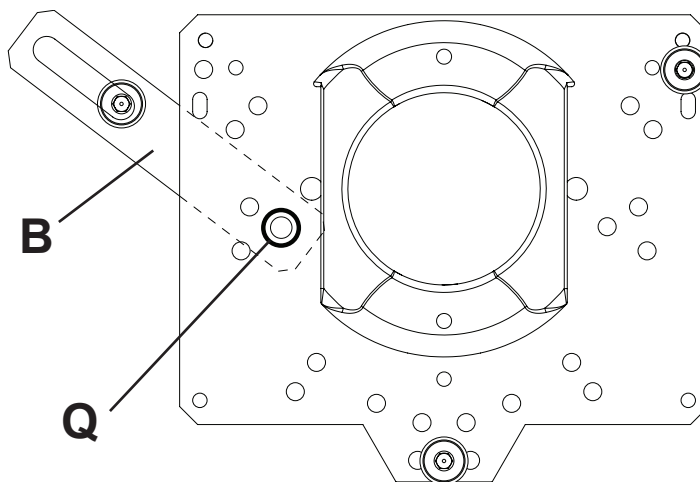
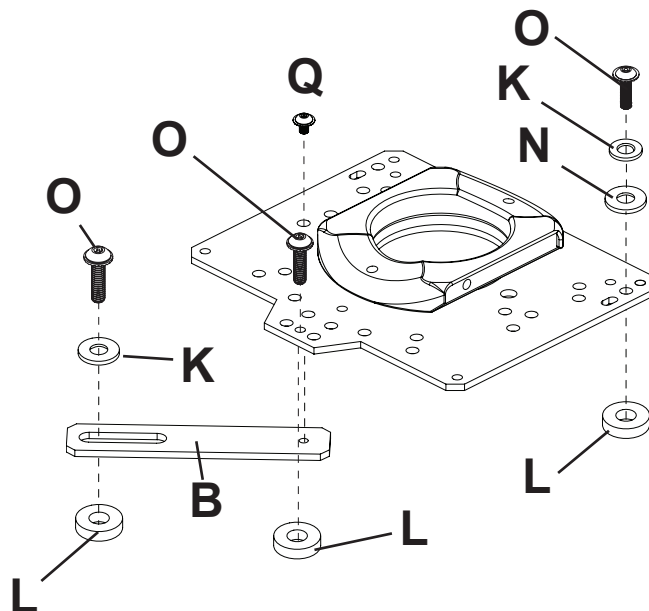


# CONFIGURATION J

- 1 Attach connection block (AA) to plate (A) using two #10-32 x 3/8" serrated socket pin screws (D) and .219 ID x .5 OD x .125" spacers (L).



- 2 Attach one extension bracket (B) to plate (A) using one M4 x 8 mm serrated socket pin screw (Q). Attach plate (A) to projector using two .125" spacers (L), one #4 flat washer (K), one #8 flat washer (N) and two M3 x 12 mm screws (O). Attach extension bracket (B) to projector using one M3 x 12 mm screw (O), flat washers (K), and .125" spacers (L).

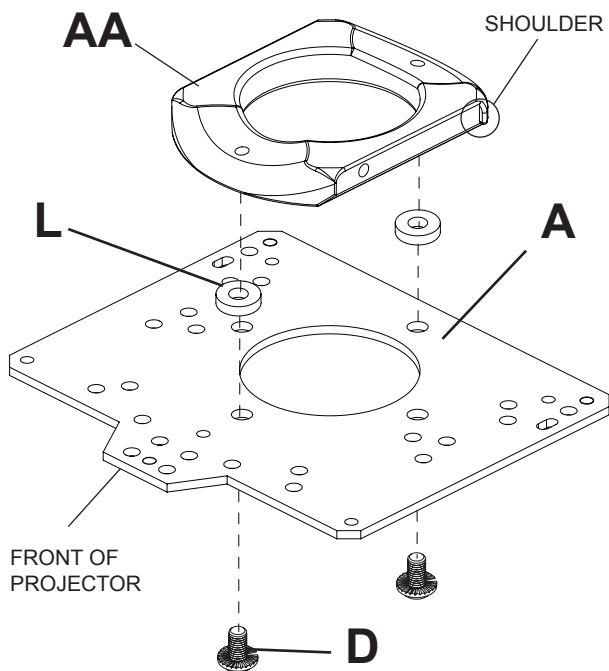


FRONT OF PROJECTOR

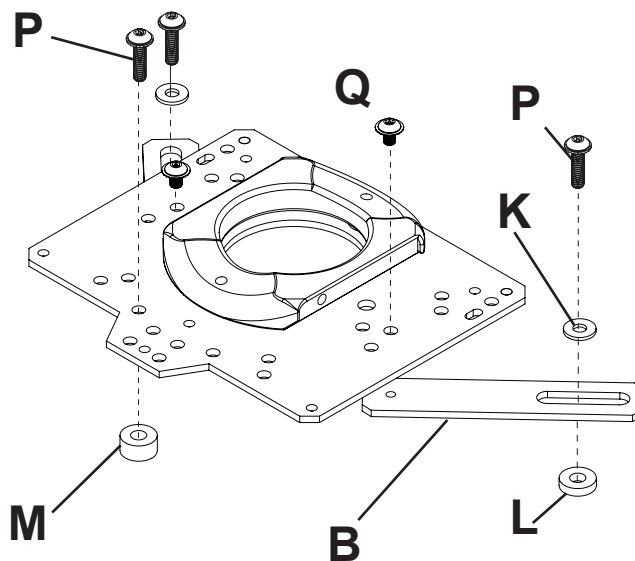
## TOP VIEW

# CONFIGURATION K

- 1 Attach connection block (AA) to plate (A) using two #10-32 x 3/8" serrated socket pin screws (D) and .219 ID x .5 OD x .125 spacers (L).



- 2 Attach two extension brackets (B) to plate (A) using two M4 x 8 mm serrated socket pin screws (Q). Attach plate (A) to projector using one .25" spacer (M), and one M4 x 16 mm screw (P). Attach extension brackets (B) to projector using two M4 x 16 mm screws (P), flat washers (K), and .125" spacers (L).

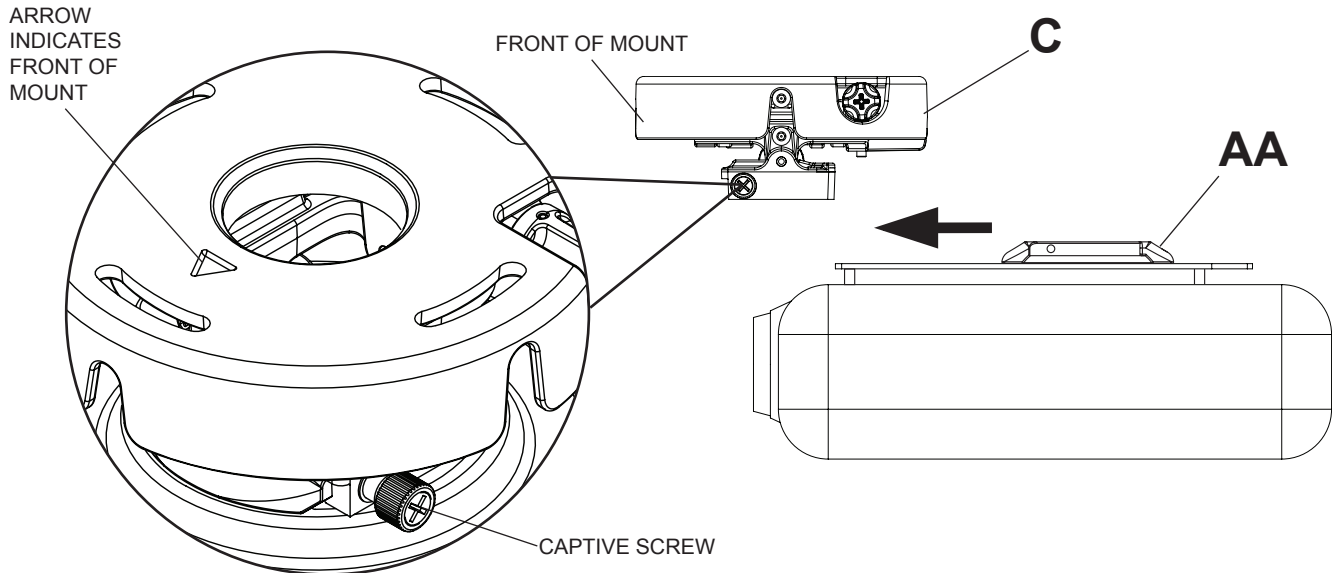


## Attaching Adapter Plate to Projector Mount

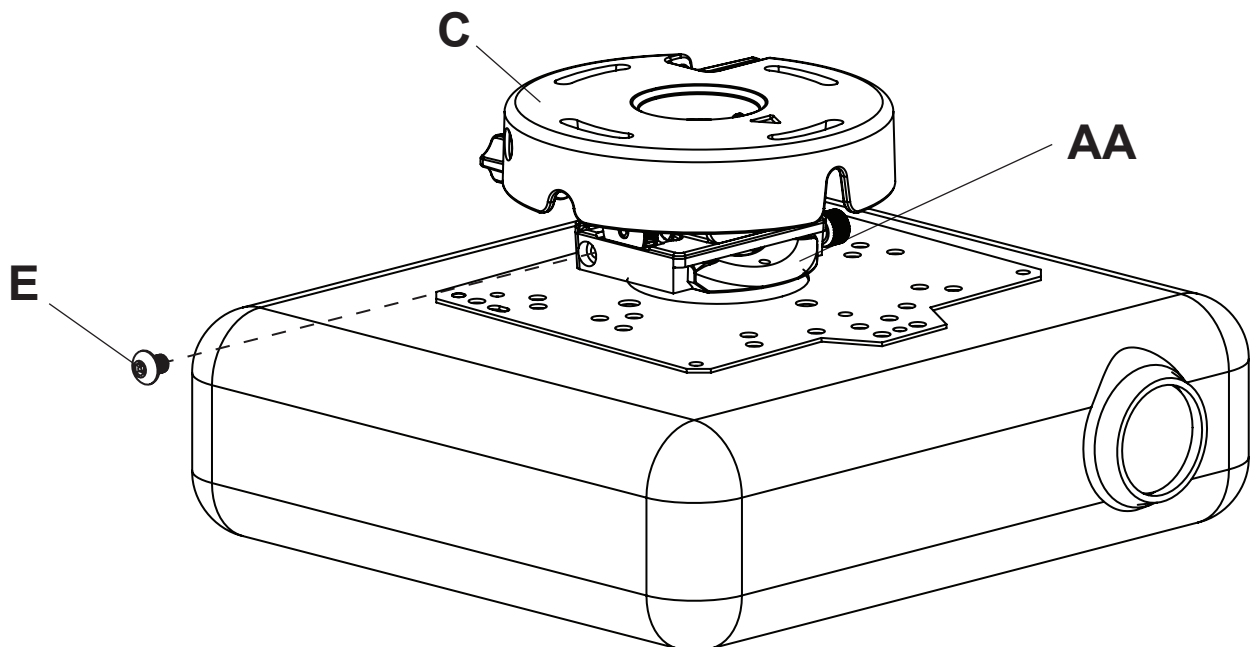
### ⚠ WARNING

- Do not lift more weight than you can handle. Use additional man power or mechanical lifting equipment to safely handle placement of the screen.

- 3** Slide connection block (AA) with precision gear projector mount (C) as shown. Tighten captive screw to secure precision gear projector mount (C).



- 4 IMPORTANT:** For security installations, insert one #10-32 x 1/4" socket pin screw (E) through precision gear projector mount (C) and into connection block (AA) as shown. Tighten screw using 4mm security allen wrench (F).



## Free Manuals Download Website

<http://myh66.com>

<http://usermanuals.us>

<http://www.somanuals.com>

<http://www.4manuals.cc>

<http://www.manual-lib.com>

<http://www.404manual.com>

<http://www.luxmanual.com>

<http://aubethermostatmanual.com>

Golf course search by state

<http://golfingnear.com>

Email search by domain

<http://emailbydomain.com>

Auto manuals search

<http://auto.somanuals.com>

TV manuals search

<http://tv.somanuals.com>