

Panasonic Broadcast Mechanical Parts List

MODEL: **AG-HVX200P,E,MC,AN,202EN**

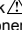
Note:

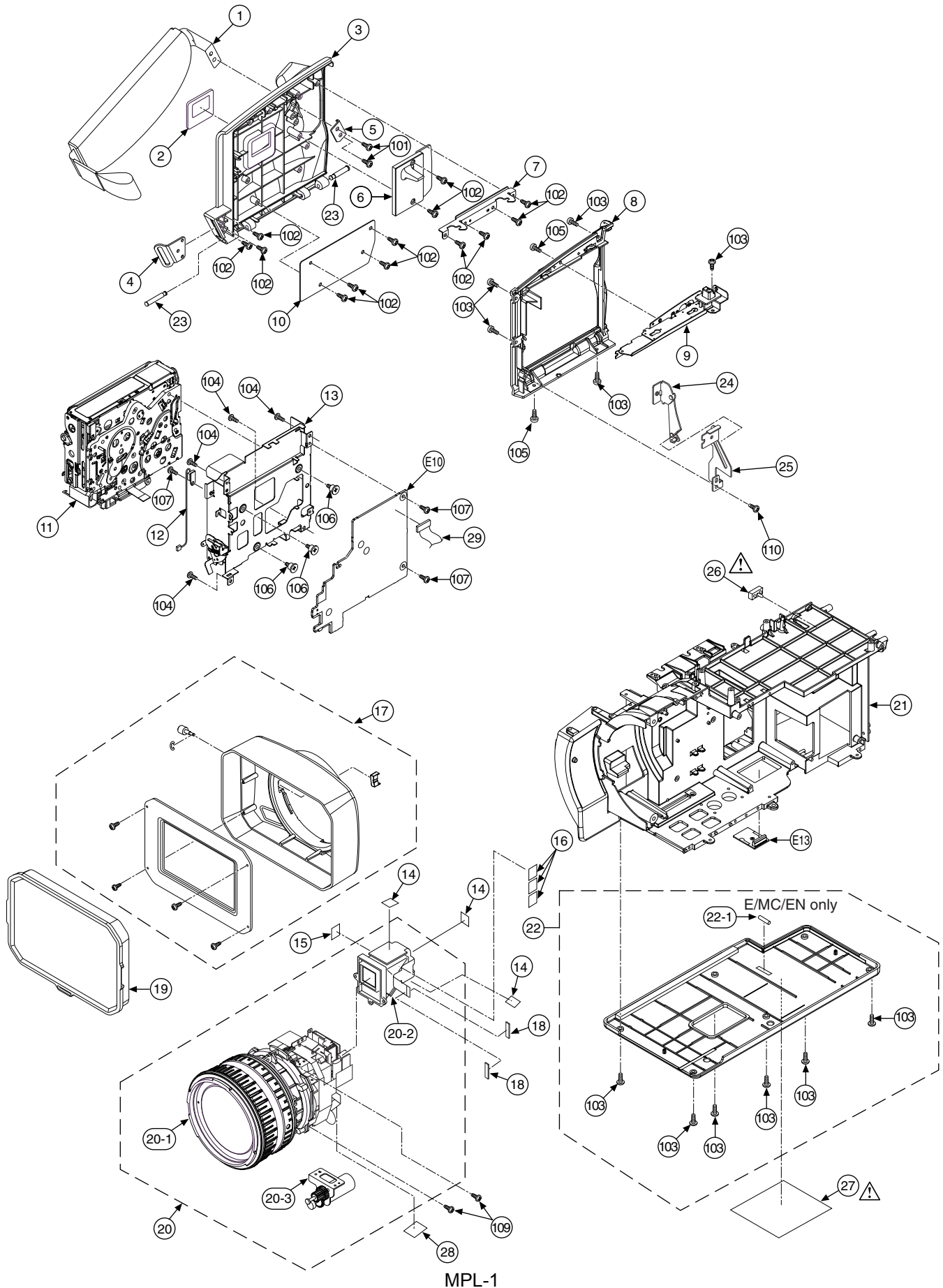
1. *Be sure to make your orders of replacement parts according to this list.
2. Unless otherwise specified, all resistors are in OHMS, K=1,000 OHMS, all capacitors are in MICROFARADS (μ F), P= μ μ F.
3. The P.C. Board unit marked with "■" shown below the main assembled parts.
4. The parts marked with $\text{\textcircled{E}}$ on the exploded view show the electric parts.
5. **IMPORTANT SAFETY NOTICE**
Components identified with the mark \triangle have the special characteristics for safety. When replacing any of these components, use only the same type.
6. The marking (RTL) indicates the retention time is limited for this item.
After the discontinuation of this assembly in production, it will no longer be available.
7. "M" in Remark column indicates needed in the periodical maintenance.

CONTENTS

FRAME & CASING PARTS ASSEMBLY (1)	MPL-1
FRAME & CASING PARTS ASSEMBLY (2)	MPL-3
HANDLE EVF PARTS ASSEMBLY	MPL-5
LCD PARTS ASSEMBLY	MPL-7
PACKING PARTS	MPL-9

FRAME & CASING PARTS ASSEMBLY (1)

Components identified with the mark  have the special characteristics for safety. When replacing any of these components, use only the same type.



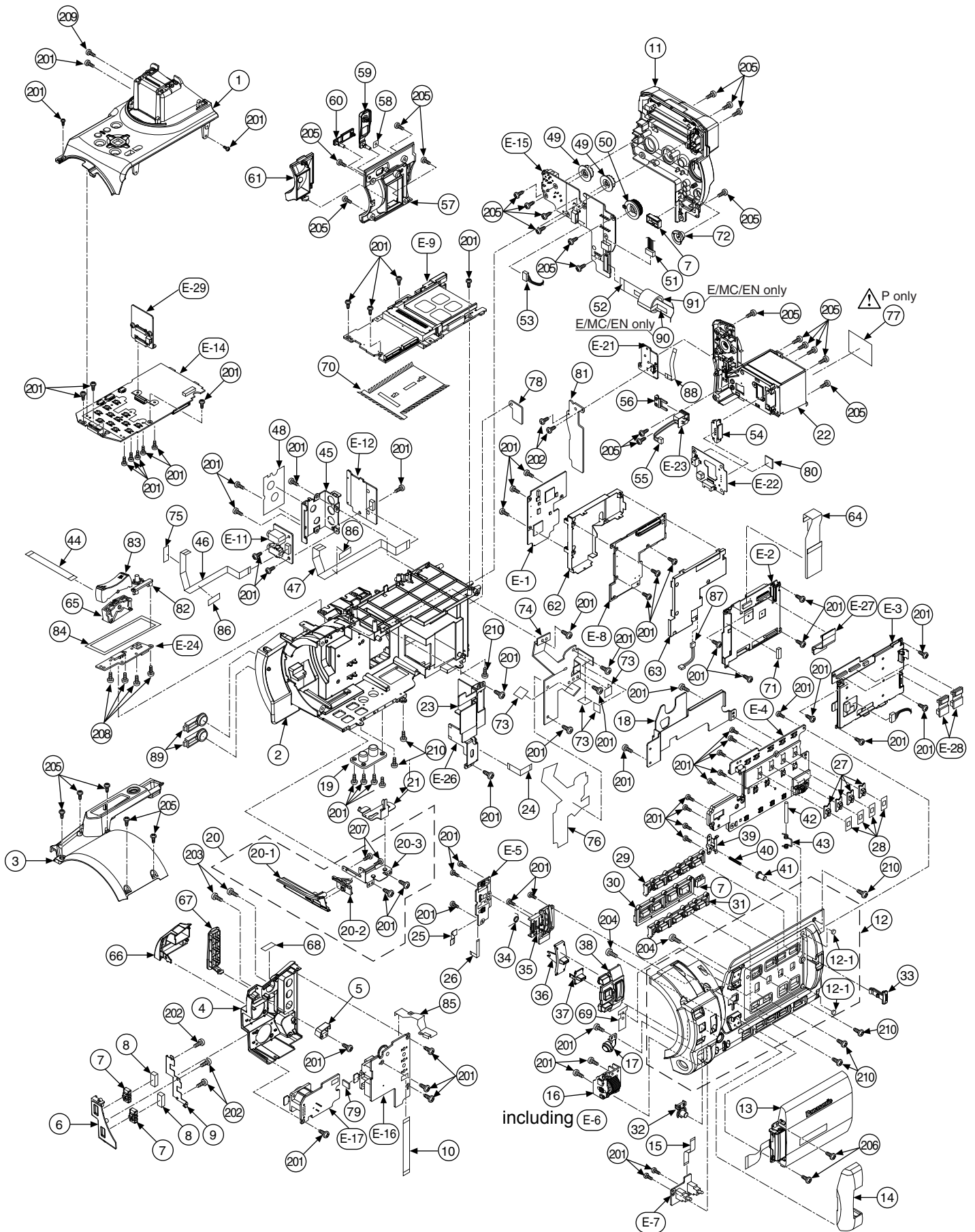
FRAME & CASING PARTS ASSEMBLY(1)

Components identified with the mark Δ have the special characteristics for safety. When replacing any of these components, use only the same type.

Ref.No.	Part No.	Part Name & Description	Pcs	Remarks	Ref.No.	Part No.	Part Name & Description	Pcs	Remarks
1	VFB0215	GLIP BELT	1						
2	VGH4860	CASSETTE COVER WINDOW	1						
3	VGP6148	GLIP COVER	1						
4	VMP7325	GLIP BELT ANGLE (FRONT)	1						
5	VMP8331	BELT FIX ANGLE	1						
6	VGG8611	GARAGE COVER OSAE	1						
7	VMP8473	CASSETTE LOCK ANGLE	1						
8	VGP6149	GRIP FRAME	1						
9	VXA8179	LOCK U	1						
10	VGF1043	GRIP SHEET	1						
11	VXY1903Z1	MECHA U	1						
12	L2BB00000003	DEW SENSOR	1						
13	VXK1835	MECHA FRAME U	1						
14	VSC5831	CERAMIC SHEET CDS	3						
15	VSC5832	CERAMIC SHEET PRISM	1						
16	VSC5830	HEAT RADIATION SHEET	3						
17	VGG8819/S	LENS HOOD	1						
18	JOZZZ0000053	FILTER	2						
19	VGG8820	HOOD CAP	1						
20	VXW0770/S	CAMERA LENS U	1						
20-1	VXW0769	LENS U	1						
20-2	VXQ1401/S	PRISM U	1						
20-3	L6DABBKD0001	ZOOM MOTOR U	1						
21	VKM6880	MAIN FRAME	1						
22	VYK1U98	BOTTOM COVER U	1	FOR AG-HVX200P/AN					
22	VYK1W32	BOTTOM COVER U	1	FOR AG-HVX200E/MC/202EN					
22-1	VMT1567	SOFT HIGH SHIELD GASKET	1	FOR AG-HVX200E/MC/202EN					
23	VMS7653	CASSETTE COVER SHAFT	2						
24	VXL3325	LINK ARM U	1						
25	VMAOU09	LINK GUIDE	1						
Δ 26	VMT1549	GASKET	1						
Δ 27	VQL1J48	CAUTION LABEL	1	FOR AG-HVX200P					
Δ 27	VQL1E83	CAUTION LABEL	1	FOR AG-HVX200E/MC/202EN					
Δ 27	VQL1K66	CAUTION LABEL	1	FOR AG-HVX200AN					
28	VMT1762	LENS FPC COVER SHEET	1						
29	VWJ1874	VTR MECHA FPC	1						
101	XTB26+6GFJK	SCREW	2						
102	XQN2+BJ5FJK	SCREW	13						
103	XQN2+B4FJK	SCREW	11						
104	XQN2+B4FN	SCREW	4						
105	XQN2+B4FJK	SCREW	2						
106	VHD1133	SCREW	3						
107	XQN2+B4FN	SCREW	3						
109	XYN3+F6FJ	SCREW	2						
110	XQN2+BJ5FJK	SCREW	1						
E10	VEPO3G91A	MECHA IF C. B. A.	1						
E13	VEP001N3A	BOTTOM CON C. B. A.	1						

FRAME & CASING PARTS ASSEMBLY (2)

Components identified with the mark \triangle have the special characteristics for safety. When replacing any of these components, use only the same type.

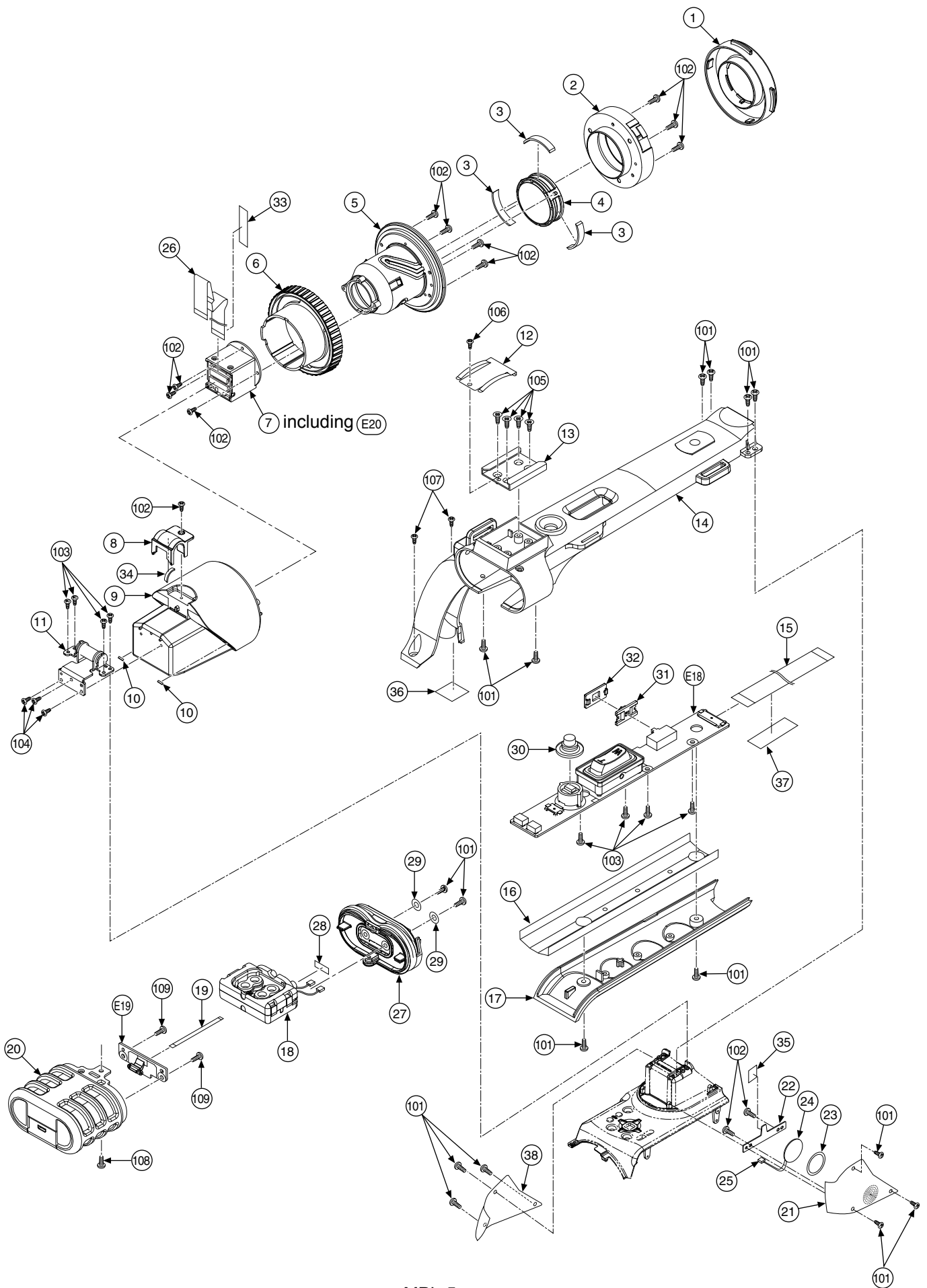


FRAME & CASING PARTS ASSEMBLY(2)

Components identified with the mark Δ have the special characteristics for safety. When replacing any of these components, use only the same type.

Ref.No.	Part No.	Part Name & Description	Pcs	Remarks	Ref.No.	Part No.	Part Name & Description	Pcs	Remarks
1	VYK1U58	TOP PANEL U	1		71	VMG1727	LENS CUSHION	1	
2	VKM6880	MAIN FRAME	1		72	VGU9219	CAMERA/VCR BUTTON	1	
3	VYK1U94	ZOOM SW CASE U	1		73	VSC5833	CERAMIC SEAT HEAT RADIATION	4	
4	VGM2152	JACK FRAME	1		74	VSC5824	CDS HEAT SINK	1	
5	VKW3303	AWB SENSOR WINDOW	1		75	VMZ3465	CD CON CUSHION	1	
6	VGQ8838	AUDIO SW COVER	1		76	VSC5845	CDS RADIATION SHEET	1	
7	VGU0A01	MODE SW KNOB	4		Δ 77	VQL1J79	CAUTION LABEL	1	FOR AG-HVX200P
8	VMT1761	FRONT MIC SW SHEET	2		78	VYF3081	EVR COVER U	1	
9	VMP8589	AUDIO SW PLATE	1		79	VMT1766	EVF FPC CUSHION	1	
10	VWJ12H2040LO	12PIN40MM FFC	1		80	VMZ3631	C. B. A. BARRIER	1	
11	VYK1Y37	BACK PANEL 1U	1		81	VG1050	DUSTPROOF SHEET	1	
12	VYK1U66	SIDE CASE R 1U	1		82	VGU9925	REC CHECK BUTTON	1	
12-1	VMG1286	CUSHION RUBBER	2		83	VGU9215	ZOOM LEVER	1	
13	VYK1U47	LCD U	1		84	VMZ3406	ZOOM PCB BLIND SHEET	1	
14	VGQ8773	LCD HINGE COVER	1		85	VWJ1844	SIDE JACK FPC	1	
15	VWJ06H2033LO	6PIN33MM FFC	1		86	VMT1749	FFC FIX SHEET	2	
16	VEKQJ73	IRIS DIAL U	1		87	VEE1C05	BATTERY-POWER CABLE	1	
17	VGU9929	AWB BUTTON	1		88	VWJ06H2060LO	6PIN FFC	1	
18	VSC5806	SIDE R HEAT SINK	1		89	VJF1468	XLR CAP	2	
19	VMP8615	TRIPOD FRAME	1		90	VMT1774	CORE TAPE	1	FOR AG-HVX200E/MG/202EN
20	VYQ3733	CLUTCH U	1		91	JOKD00000103	CORE	1	FOR AG-HVX200E/MG/202EN
20-1	VGU9936	CLUTCH KNOB	1						
20-2	VGP6167	CLUTCH PANEL	1						
20-3	VMP8557	CLUTCH FRAME	1		201	XQN2+B4FN	SCREW	74	
21	VMP8558	CLUTCH ARM ANGLE	1		202	XQN2+B5FJK	SCREW	5	
22	VYK1Y38	BATTERY CASE 1U	1		203	XYN26+A6FJK	SCREW	2	
23	VSC5801	CCD HEAT SINK	1		204	XQN2+B6FJ	SCREW	2	
24	VWJ10H2030LO	10PIN30MM FFC	1		205	XQN2+B4FJK	SCREW	27	
25	VWJ12H2050LO	12PIN50MM FFC	1		206	XYN2+C5FJ	SCREW	2	
26	VWJ06H2045LO	6PIN45MM FFC	1		207	XQN2+BJ4FJK	SCREW	2	
27	VGU9894	SLIDE KNOB	4		208	XQN16+BJ4FJK	SCREW	4	
28	VGH4857	SLIDE KNOB SHEET	4		209	XQN2+A5FJK	SCREW	1	
29	VGU9931	LCD BUTTON B	1		210	VHD1887	SCREW	7	
30	VGU9935	COUNTER BUTTON	1						
31	VGU9930	LCD BUTTON A	1						
32	VGU9937	EVF DTL BUTTON	1						
33	VGU9197	MONITOR LOCK KNOB	1		E1	VEP03690C	VTR C. B. A.	1	FOR AG-HVX200P/AN
34	VMB4017	FOCUS SPRING	1		E1	VEP03690D	VTR C. B. A.	1	FOR AG-HVX200E/MG/202EN
35	VGQ8772	CAM OP BACKUP	1		E2	VEP23655A	CAMERA C. B. A.	1	FOR AG-HVX200P/AN
36	VGU9928	ND KNOB	1		E2	VEP23655B	CAMERA C. B. A.	1	FOR AG-HVX200E/MG/202EN
37	VGU9926	FOCUS KNOB	1		E3	VEP03689A	CODEC C. B. A.	1	FOR AG-HVX200P/AN
38	VGU9927	CAM OP BUTTON	1		E3	VEP03689B	CODEC C. B. A.	1	FOR AG-HVX200E/MG/202EN
39	VMP7331	OPENER HOLDER ANGLE	1		E4	VEP001M6A	R SIDE C. B. A.	1	
40	VMB3996	POP UP SPRING	1		E5	VEP06G20A	CAM OP1 C. B. A.	1	
41	VGQ6901	MONITOR KNOB	1		E6	VEP06G21A	CAM OP2 C. B. A.	1	
42	VMS7187	LCD LOCK SHAFT	1		E7	VEP06G22A	CAM OP3 C. B. A.	1	
43	VMB3659	MONITOR OPENER SPRING	1		E8	VEP01978A	POW C. B. A.	1	
44	VWJ06H2033LO	6PIN33MM FFC	1		E9	VEP03692B	P2 CARD C. B. A.	1	
45	VMP8552	JACK ANGLE	1		E11	VEP04904A	SIDE JACK2 C. B. A.	1	
46	VWJ12H2120LO	12PIN120MM FFC	1		E12	VEP001P2A	SD CARD C. B. A.	1	
47	VWJ16H2145LO	16PIN145MM FFC	1		E14	VEP001M1A	TOP OP C. B. A.	1	
48	VGH4874	JACK PLATE	1		E15	VEP001M2B	BACK PANEL C. B. A.	1	
49	VGU9721	AUDIO VR KNOB	2		E16	VEP04902A	SIDE JACK1 C. B. A.	1	
50	VYQ3547	MODE DIAL U P. C. BOARD	1		E17	VEP04903A	EXT MIC 2 C. B. A.	1	
51	VEE1C06	AUDIO CABLE	1		E21	VEP001M4A	POWER SW C. B. A.	1	
52	VWJ24H2030LO	24PIN30MM FFC	1		E22	VEP01979A	BATTERY C. B. A.	1	
53	VEE1C12	1394 CABLE	1		E23	VEP01971A	DC IN P. C. BOARD	1	
54	K4Z204000036	BATTERY TERMINAL	1		E24	VEP001M5A	ZOOM SW C. B. A.	1	
55	VEE1C20	DC IN-BATTERY CABLE	1		E26	VEP22370A	GYRO C. B. A.	1	
56	VMP7340	DCIN ANGLE	1		E27	VEP03696A	CAMERA TOP FPC C. B. A.	1	
57	VGP6163	SIDE COVER L	1		E28	VEP03694A	CODEC P2 FPC C. B. A.	2	
58	VGH4881	LED NAME PLATE	1		E29	VEP001N2A	TOP CON C. B. A.	1	
59	VJF1544	SD CARD CAP	1						
60	VJF1545	USB COVER	1						
61	VJF1541	JACK COVER	1						
62	VSC5805	SHIELD PLATE B	1						
63	VSC5804	SHIELD PLATE A	1						
64	VWJ1845	CAMERA TO SIDE CASE-R FPC	1						
65	VYQ3807	ZOOM SW 1 U	1						
66	VJF1542	SIDE JACK CAP A	1						
67	VJF1543	SIDE JACK CAP B	1						
68	VGH4876	JACK NAME PLATE 2	1						
69	VMZ3638	HINGE FPC HOLD SHEET	1						
70	VSC5850	P2 CARD SHIELD PLATE	1						

HANDLE EVF PARTS ASSEMBLY

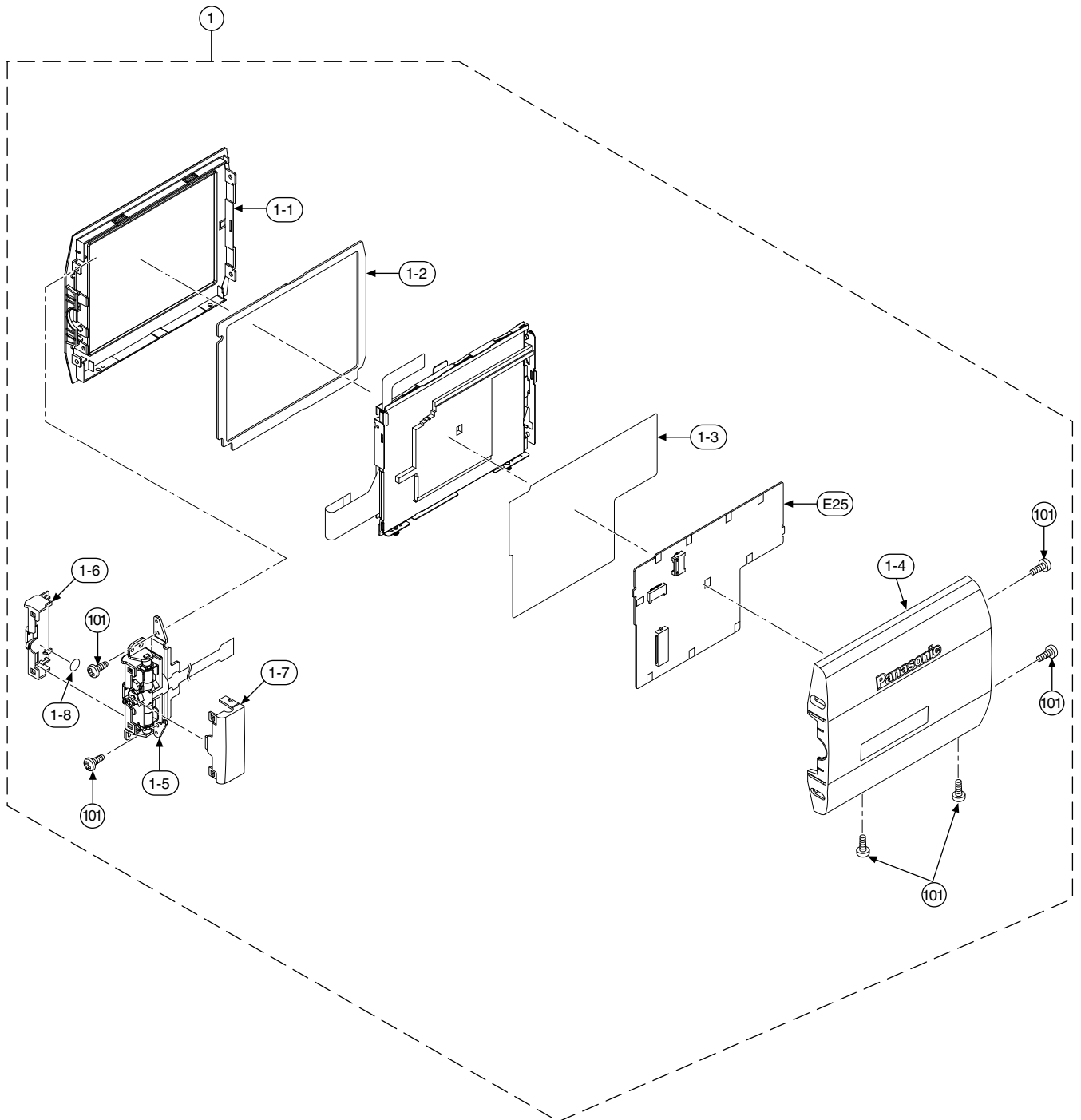


MPL-5

HANDLE EVF PARTS ASSEMBLY

Ref.No.	Part No.	Part Name & Description	Pcs	Remarks	Ref.No.	Part No.	Part Name & Description	Pcs	Remarks
1	VYK1V99	EYE CAP U	1						
2	VG08840	EYE CAP BASE	1						
3	VMT1742	LENS SPACER SHEET	3						
4	VXW0567	EVF LENS ASS'Y	1						
5	VDK0176	HELICOID	1						
6	VG08779	DIOPTOR ADJ RING	1						
7	VYQ3545	EVF LCD HOLDER U	1						
8	VG08778	EVF HINGE COVER	1						
9	VGP6172	EVF CASE	1						
10	VMG1286	CUSHION RUBBER	2						
11	VKC0594	VF HINGE	1						
12	VMC1697	SPRING	1						
13	VJF1421	SHU	1						
14	VKH0426	HANDLE	1						
15	VWJ24H2060L0	24PIN60MM FFC	1						
16	VXA8302	HANDLE SHIELD	1						
17	VG08780	HANDLE GRIP	1						
18	VYK1R40	MIC U	1						
19	VWJ10H2065L0	10PIN65MM FFC	1						
20	VYK1W30	MIC CASE 1U	1						
21	VGP6171	VF CASE R	1						
22	VMP8559	SPEAKER SUPPORT ANGLE	1						
23	VKN0185	SPEAKER NET	1						
24	LOAA02A00057	SPEAKER	1						
25	VEE1B95	SPEAKER HARNESS	1						
26	VWJ1805	DVF FPC	1						
27	VMG1732	MIC DUMPER RUBBER	1						
28	VMT1767	MIC DUMPER SHEET	1						
29	XWG2FJ	WASHER	2						
30	VGU9988	REC BUTTON	1						
31	VGU9214	SLIDE KNOB	1						
32	VGH4857	SLIDE KNOB SHEET	1						
33	VMZ3361	SUPPORT SHEET	1						
34	VMT1766	EVF FPC CUSHION	1						
35	VMG1733	SP SHEET	1						
36	VMT1757	HANDLE GRIP SPACER SHEET	1						
37	VMZ3474	LCD BARRIER (C)	1						
38	VGP6170	VF CASE L	1						
101	XQN2+B4FJK	SCREW	16						
102	XQN2+BJ4FJK	SCREW	13						
103	XQN2+B4FN	SCREW	8						
104	XQN2+CJ6FJK	SCREW	3						
105	XSS2+4FJK	SCREW	4						
106	XSN2+4FC	SCREW	1						
107	XSB3+6FJK	SCREW	2						
108	XYN2+F5FJ	SCREW	1						
109	XQN2+BJ4FJ	SCREW	2						
E18	VEP04906A	HANDLE C. B. A.	1						
E19	VEP001M3A	REMOCON F. C. B. A.	1						
E20	VEP29166A	EVF CONNECT C. B. A.	1						

LCD PARTS ASSEMBLY




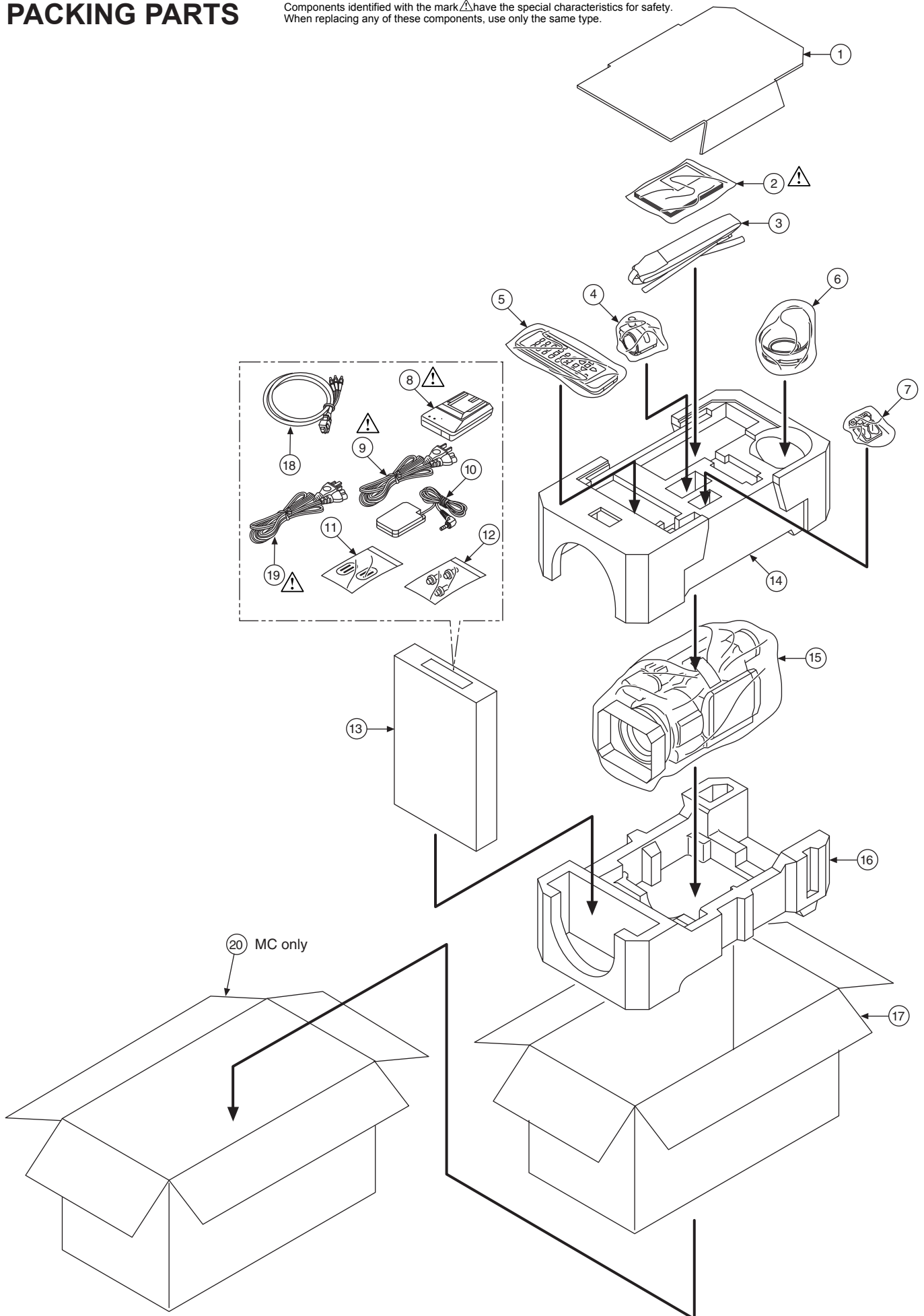
MPL-7

LCD PARTS ASSEMBLY

Ref.No.	Part No.	Part Name & Description	Pcs	Remarks	Ref.No.	Part No.	Part Name & Description	Pcs	Remarks
1	VYK1U47	LCD U	1						
1-1	VGP6152	LCD CASE BOTTOM	1						
1-2	VMT1717	WATER PROOF PAD	1						
1-3	VMZ3610	LCD PCB INSULATION SHEET	1						
1-4	VYK1U67	LCD CASE U	1						
1-5	VXDO465	HINGE	1						
1-6	VGG8616	HINGE COVER (LOWER)	1						
1-7	VGG8775	HINGE COVER TOP	1						
1-8	VMG1286	CUSHION RUBBER	1						
101	XQN16+B4FJK	SCREW	6						
E25	VEPO8346A	LCD LEV	1						

PACKING PARTS

Components identified with the mark  have the special characteristics for safety. When replacing any of these components, use only the same type.



MPL-9

PACKING PARTS ASSEMBLY

Components identified with the mark Δ have the special characteristics for safety. When replacing any of these components, use only the same type.

Ref.No.	Part No.	Part Name & Description	Pcs	Remarks	Ref.No.	Part No.	Part Name & Description	Pcs	Remarks
1	VPN6400	PARTITION	1						
Δ 2	VQTOS52	OPERATING INSTRUCTIONS	1	FOR AG-HVX200P					
Δ 2	VQTOS53	OPERATING INSTRUCTIONS	1	FOR AG-HVX200E					
Δ 2	VQTOS54	OPERATING INSTRUCTIONS	1	FOR AG-HVX200MC					
Δ 2	VQTOX70	OPERATING INSTRUCTIONS	1	FOR AG-HVX202EN					
Δ 2	VQTOX72	OPERATING INSTRUCTIONS	1	FOR AG-HVX200AN					
3	VFC3891	SHOULDER BELT	1						
4	VYC0936	MIC HOLDER U	1						
5	VFA0463	WIRELESS REMOTE CONTROLLER	1	FOR AG-HVX200P					
5	VFA0466	WIRELESS REMOTE CONTROLLER	1	FOR AG-HVX200E/MC/AN/202EN					
6	VMG1458	EYE CAP	1						
7	VYC0890	MIC HOLDER ADAPTOR	1						
Δ 8	DE-A20BA	AC ADAPTOR	1	FOR AG-HVX200P					
Δ 8	DE-A20CA	AC ADAPTOR	1	FOR AG-HVX200E/MC/202EN					
Δ 9	VYC0944	AC CORD U	1	FOR AG-HVX200P					
Δ 9	VYC0945	AC CORD U	1	(TYPE C) FOR AG-HVX200E/202E					
Δ 9	VYC0947	AC CORD U	1	FOR AG-HVX200MC					
10	K2GJ2DZ00024	DC CORD	1	FOR AG-HVX200P/E/MC/202EN					
11	VFC4182	FERRITECORE U	1						
12	K2RYYYYY0001	ADAPTOR PLUG	1						
13	VPK0825	ACCESSORY BOX	1						
14	VPN6398	CUSHION (TOP)	1						
15	VPF0884	POLYETHYLENE BAG	1						
16	VPN6399	CUSHION (BOTTOM)	1						
17	VPG1G03	PACKING CASE	1	FOR AG-HVX200P					
17	VPG1G04	PACKING CASE	1	FOR AG-HVX200E					
17	VPG1G06	PACKING CASE	1	FOR AG-HVX200MC					
17	VPG1H68	PACKING CASE	1	FOR AG-HVX202EN					
17	VPG1K33	PACKING CASE	1	FOR AG-HVX200AN					
18	K1EY06YY0001	COMPONENT CABLE	1						
Δ 19	VYC0946	AC CORD U	1	TYPE BF (UK) FOR AG-HVX200E					
20	VPG1G05	PACKING CASE (OUT)	1	FOR AG-HVX200MC					

Free Manuals Download Website

<http://myh66.com>

<http://usermanuals.us>

<http://www.somanuals.com>

<http://www.4manuals.cc>

<http://www.manual-lib.com>

<http://www.404manual.com>

<http://www.luxmanual.com>

<http://aubethermostatmanual.com>

Golf course search by state

<http://golfingnear.com>

Email search by domain

<http://emailbydomain.com>

Auto manuals search

<http://auto.somanuals.com>

TV manuals search

<http://tv.somanuals.com>