

# Panasonic Broadcast Mechanical Parts List

Model No. : **AJ-HD1800P/E/MC**

---

---

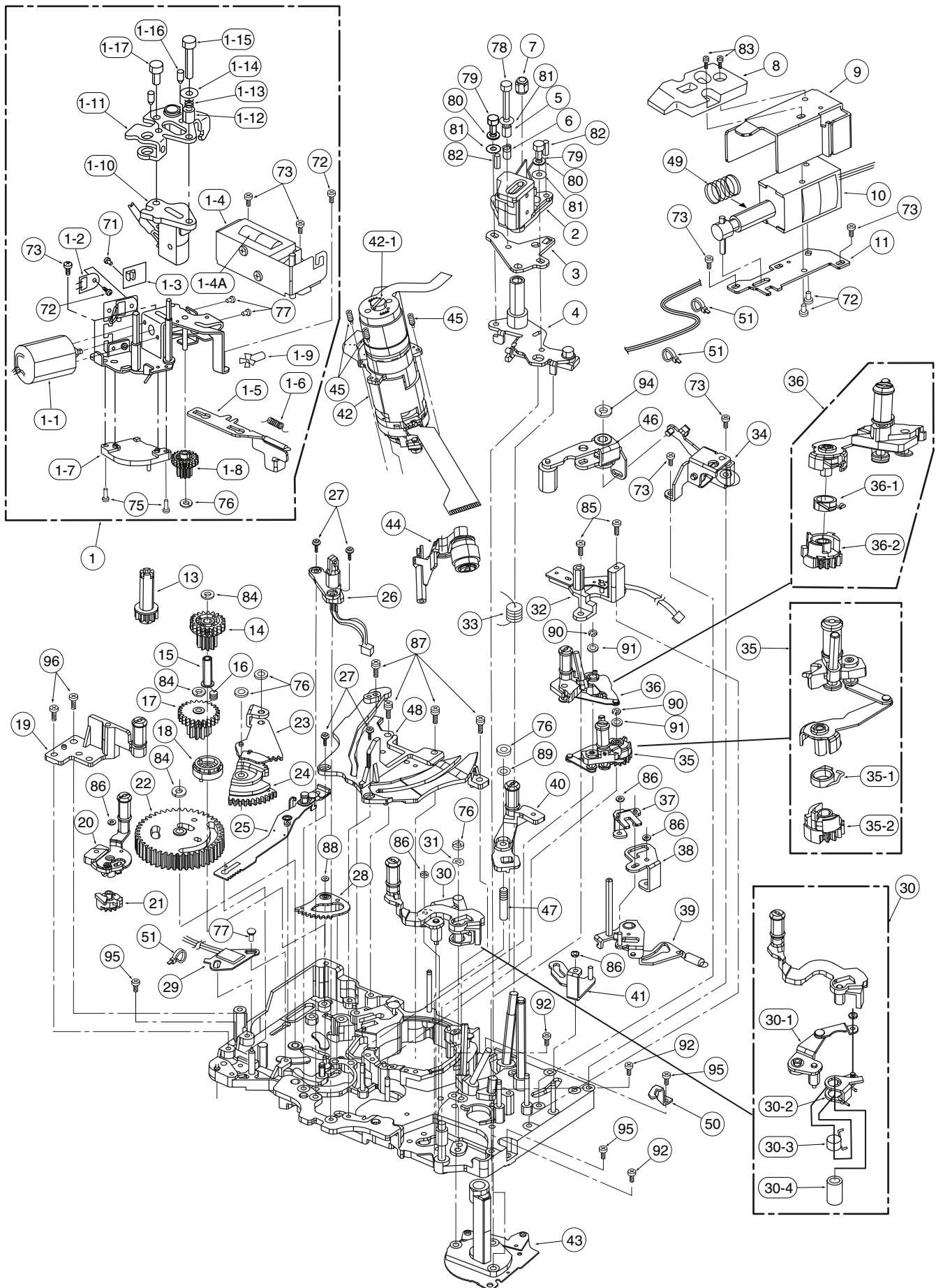
Note:

1. \*Be sure to make your orders of replacement parts according to this list.
2. Unless otherwise specified, all resistors are in OHMS, K=1,000 OHMS, all capacitors are in MICROFARADS ( $\mu$ F), P= $\mu$ F.
3. The P.C. Board unit marked with "■" shown below the main assembled parts.
4. The parts marked with ⊕ on the exploded view show the electric parts.
5. IMPORTANT SAFETY NOTICE  
Components identified with the mark  $\Delta$  have the special characteristics for safety. When replacing any of these components, use only the same type.
6. The marking (RTL) indicates the retention time is limited for this item.  
After the discontinuation of this assembly in production, it will no longer be available.
7. "M" in Remark column indicates needed in the periodical maintenance.

## CONTENTS

MECHANICAL CHASSIS ASSEMBLY(1) .....	MPL-1
MECHANICAL CHASSIS ASSEMBLY(2) .....	MPL-3
SUB CHASSIS ASSEMBLY .....	MPL-5
SLOT-IN UNIT ASSEMBLY .....	MPL-7
CASING PARTS ASSEMBLY .....	MPL-9
FRONT PANEL ASSEMBLY .....	MPL-11
CHASSIS FRAME ASSEMBLY .....	MPL-13
REAR PANEL ASSEMBLY .....	MPL-15
PACKING PARTS ASSEMBLY .....	MPL-17

# MECHANICAL CHASSIS ASSEMBLY(1)

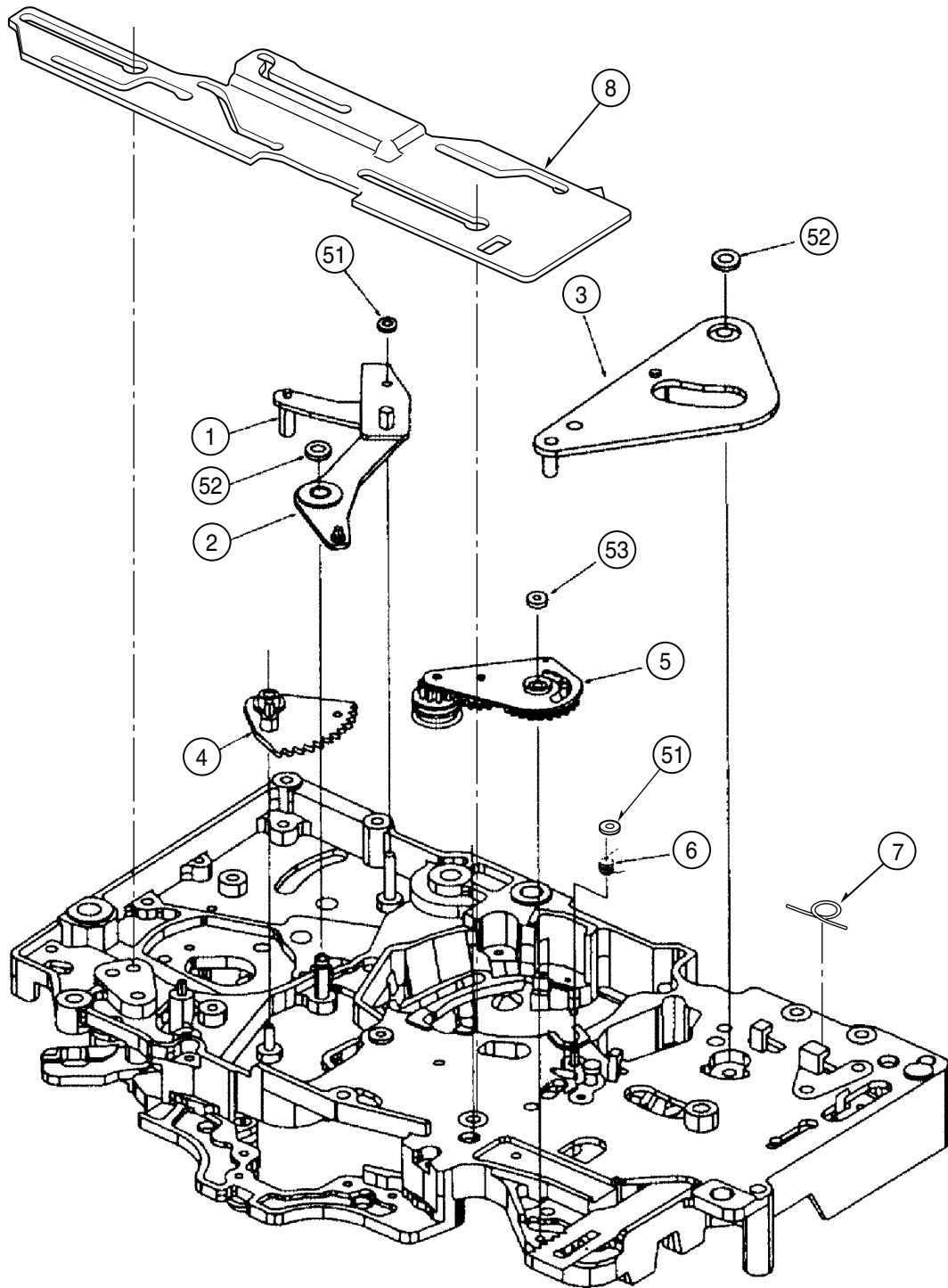


MPL-1

# MECHANICAL CHASSIS ASSEMBLY (1)

Ref.No.	Part No.	Part Name & Description	Pcs	Remarks	Ref.No.	Part No.	Part Name & Description	Pcs	Remarks
1	VXA7041	MOTOR BRACKET	1		49	VMB2948A	SPRING	1	
1-1	VEM0726	MOTOR ASS'Y	1 (M)		50	VMC1652	T1 BOAT GUIDE	1	
1-2	L2BB00000003	DEW SENSOR	1	EYHS77Y7	51	VJF1559	CLAMPER	3	
1-3	VEK8982	FG SENSOR	1						
1-4	VXA6656	CLEANER SOLENOID ASS'Y	1						
1-4A	L9AAAYB0002	CLEANER SOLENOID	1 (M)		71	XQN2+A3FJ	SCREW	1	
1-5	VMM0441	CLEANER ROD	1		72	XQN2+A2FJ	SCREW	4	
1-6	VMB3454	CLEANER SPRING	1		73	XQN2+CF3FJ	SCREW	7	
1-7	VES0925	MODE SW ASS'Y	1 (M)		75	XQN2+A5FJ	SCREW	2	
1-8	VDG1426	WORM WHEEL	1		76	VMX0967	CUT WASHER	5	
1-9	VXP2029	WORM	1		77	XQN16+A2FJ	SCREW	3	
1-10	VED0521	PRE CTL HEAD 1 ASS'Y	1 (M)		78	XVE2B12FP	HEX SCREW	1	
1-11	VXA6737	PRE CTL HOLDER ASS'Y	1		79	XVE2B4FJK	HEX SCREW	2	
1-12	VMS7595	AZIMUTH SLEEVE	1		80	XWA2BFJ	WASHER	2	
1-13	VMB2937	A/C HEAD ADJUST SPRING	1		81	XWG2A5	WASHER	3	
1-14	XWG2FJ	WASHER	1		82	XXE2A6FP	HEX SCREW	2	
1-15	XVE2B10FP	SCREW	1		83	XYN2+J5FJ	SCREW	2	
1-16	XXE2A6FP	HEX SCREW	1		84	VMX1599	CUT WASHER	3	
1-17	XVE2B6FP	HEX SCREW	1		85	XQN2+CF4	SCREW	2	
2	VED0520	A/C HEAD 1 ASS'Y	1 (M)		86	VMX1061	WASHER	5	
3	VMA0F40	HORIZONTAL FIX BASE	1		87	XYN2+C5FJ	SCREW	4	
4	VXA6658	HIGHT FIX BASE	1		88	VMX2027	CUT WASHER	1	
5	VMS7595	AZIMUTH SLEEVE	1		89	XWGV2Y4G	WASHER	1	
6	VMB2937	A/C HEAD ADJUST SPRING	1		90	XUC12FP	E-RING	2	
7	VHNO365	NYLON NUT	1		91	XWGV15Z32G	WASHER	2	
8	VMA0F93	CABLE GUIDE	1		92	XQN2+B3FJK	SCREW	3	
9	VMA0E98	SOLENOID ANGLE	1		94	VMX0653	CUT WASHER	1	
10	L9AABYB0002	PINCH SOLENOID	1 (M)		95	XYN26+C5FJ	SCREW	3	
11	VMA0E90	SOLENOID BASE	1		96	XQN2+C4FJ	SCREW	2	
13	VDG1434	EM GEAR	1		*	VXY2002Z1	MECHANICAL CHASSIS ASS'Y	1 (M)	
14	VDG1437	CAM CONNECTION GEAR B	1						
15	VMX3494	EM SLEEVE	1						
16	VMB3440	EM GEAR SPRING	1						
17	VDG1423	CAM CONNECTION GEAR A	1						
18	VXP2037F	EMERGENCY CONNECTION GEAR	1						
19	VXA8127	S4 POST BASE ASS'Y	1 (M)						
20	VXL3165	S TENSION ARM ASS'Y	1 (M)						
21	VDG1438	TENSION LEG GEAR	1						
22	VDG1424	MAIN CAM GEAR	1 (M)						
23	VXA6647	S LOAD SECTOR GEAR	1						
24	VDG1422	S CONNECTION GEAR	1						
25	VXA7558F	EM ROD ASS'Y	1						
26	VEKOH85	LED ASS'Y	1						
27	LMHD16064	SCREW	4						
28	VXA6700	TENSION LEG SECTOR GEAR	1						
29	VXA6644	TENSION SENSOR ASS'Y	1						
30	VXL3164	T5 ARM ASS'Y	1 (M)						
30-1	VXL2989	T5 DRIVE LEVER A	1						
30-2	VXL2991	T5 DRIVE LEVER B	1						
30-3	VMB3436	T5 CHARGE SPRING	1						
30-4	VMX3490	T5 ARM SLEEVE	1						
31	VMB3418	T5 THRUST SPRING	1						
32	VMD3910	TENSION BASE	1						
33	VMB3434	A/C HIGHT SPRING	1						
34	VXA6703	PINCH ELEVATOR ASS'Y	1						
35	VXA8176F	T LOADING ASS'Y	1 (M)						
35-1	VMB3426A	T-LOADING SPRING	1						
35-2	VDG1428	T-LOADING GEAR	1						
36	VXA8174F	S LOADING ASS'Y	1 (M)						
36-1	VMB3425A	S LOADING SPRING	1						
36-2	VDG1427	S LOADING GEAR	1						
37	VXL3008F	SOLENOID TURN ARM	1						
38	VML3520-A	SLENOID CONNECTION ARM	1						
39	VXL3002	PINCH TURN ARM	1						
40	VXL3310	T6 ARM ASS'Y	1 (M)						
41	VXL3011F	ELEVATOR DRIVE ASS'Y	1						
42	VEG1716	CYLINDER UNIT	1 (M)						
42-1	VMD4627	CAP	1						
43	VEM0852	CAPSTAN ASS'Y	1 (M)						
44	VXL3028	CLEANING ARM ASS'Y	1 (M)						
45	VXQ0439	SCREW	3						
46	VXL3040	PINCH ARM ASS'Y	1 (M)						
47	VMB3418	T5 THRUST SPRING	1						
48	VMD4544	LOADING SECTOR GEAR ASS'Y	1						

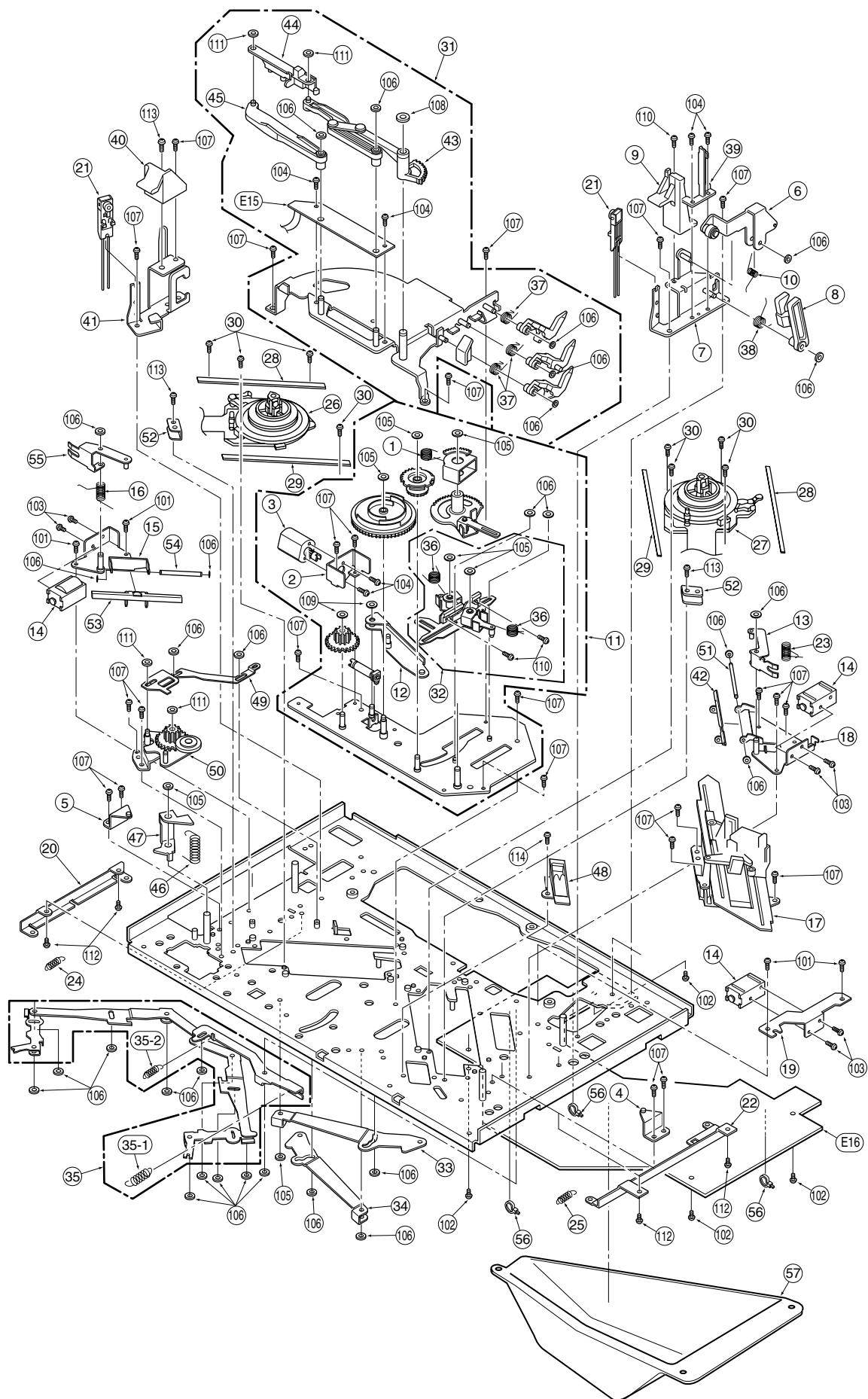
# MECHANICAL CHASSIS ASSEMBLY(2)



MPL-3



# SUB CHASSIS ASSEMBLY

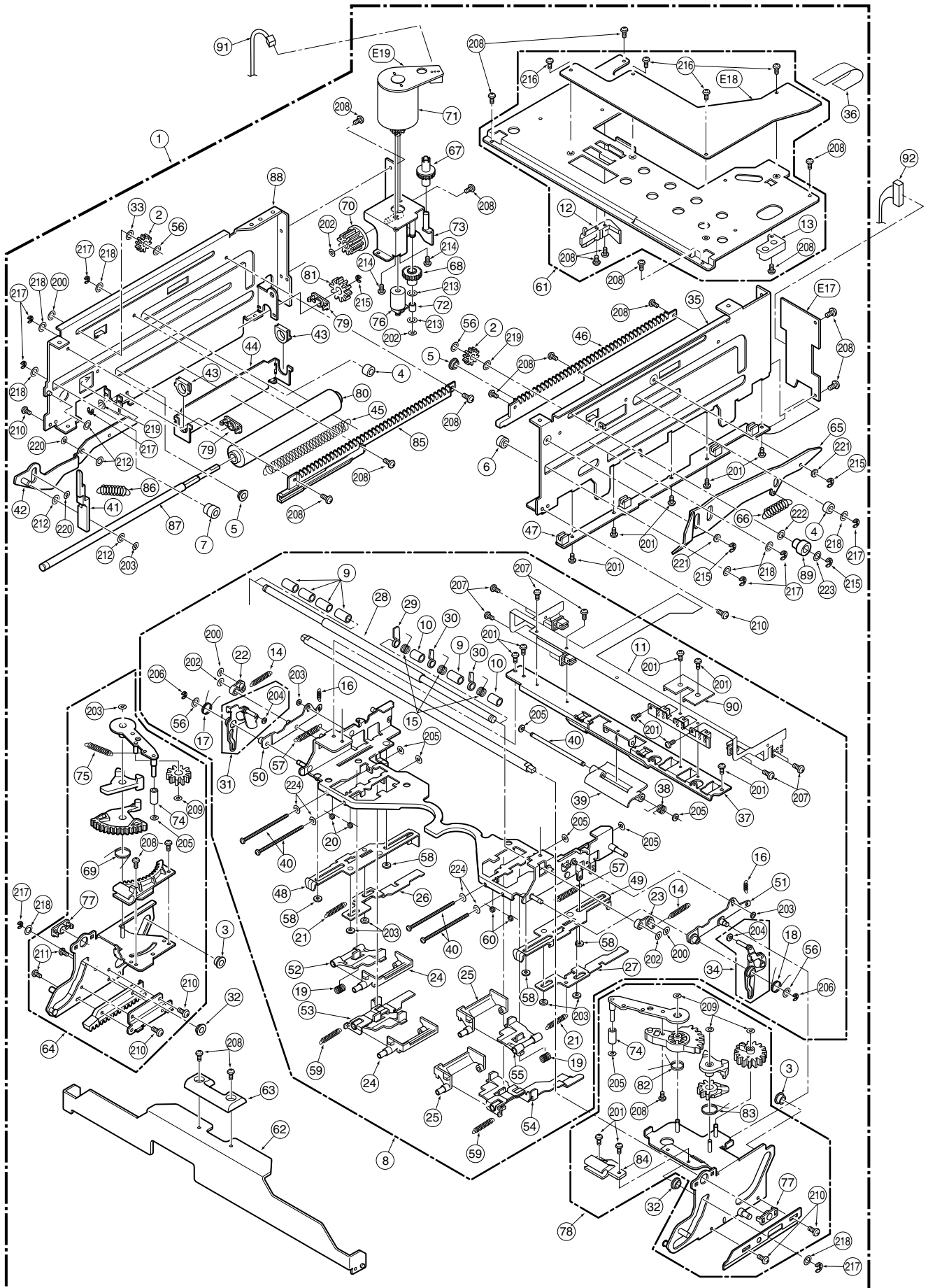


MPL-5

# SUB CHASSIS ASSEMBLY

Ref.No.	Part No.	Part Name & Description	Pcs	Remarks	Ref.No.	Part No.	Part Name & Description	Pcs	Remarks
1	VMB3725	BACK CHARGE SPRING	1		113	XYN2+C4FJ	SCREW	3	
2	VMAOP68	REEL DRIVE MOTOR HOLDER	1		114	XYN2+J5FJ	SCREW	1	
3	VEMO777	REEL DRIVE MOTOR ASS'Y	1 (M)						
4	VXA7557	SUPPORT ANGLE R ASS'Y	1						
5	VXA7556	SUPPORT ANGLE L ASS'Y	1		E21	VEP80C69A	REEL SENSOR P. C. BOARD	1	
6	VXL3167	M RID OPENER ASS'Y	1		E22	VEP82243B	MECHA IF P. C. BOARD	1	
7	VXA7533	RID OPENER BASE R 1 ASS'Y	1						
8	VML3742	RELEASE LEVER	1						
9	VMD4793	L COVER OPENER BASE	1						
10	VMB3721	M OPENER SPRING	1						
11	VXA8178	REEL DRIVE ASS'Y	1						
12	VMB3724	MIC DRIVE RETURN SPRING	1						
13	VXL3181	T BRAKE ARM XL ASS'Y	1						
14	L9AABYYB0001	SOLENOID	3 (M)						
15	VXA7553	S BRAKE SOLENOID BASE U	1						
16	VMB3729	S BRAKE SPRING	1						
17	VXA8216F	MIC ASS'Y	1 (M)						
18	VXA7555	T BRAKE SOLENOID BASE U	1						
19	VMAOT85	REEL STOPPER SOLENOID BASE	1						
20	VMAOT50	MECHA I/F PLATE L	1						
21	VEK7692	SENSOR HOLDER ASS'Y	2						
22	VMAOT51	MECHA I/F PLATE R	1						
23	VMB3730	T BRAKE SPRING	1						
24	VMB3743	STOPPER RETURN SPRING L	1						
25	VMB3744	STOPPER RETURN SPRING R	1						
26	VEMO849	S REEL MOTOR ASS'Y	1 (M)						
27	VEMO850	T REEL MOTOR ASS'Y	1 (M)						
28	VMS5923	REEL OUTER RAIL	2						
29	VMS7285	RAIL XL (OUT)	2						
30	VHD1964	SCREW	8						
31	VXA7982	COVER ASS'Y	1						
32	VXA7542	SLIDE ROD ASS'Y	1						
33	VXL3175	S BASE DRIVE ARM	1						
34	VXL3176	T BASE DRIVE ARM	1						
35	VXL3169	REEL STOPPER ASS'Y	1						
35-1	VMB3772	STOPPER RETURN SPRING A	1						
35-2	VMB3773	STOPPER RETURN SPRING B	1						
36	VMB3723	REEL CHARGE SPRING	2						
37	VMB3727	REEL LOCK RELEASE SPRING	3						
38	VMB3720	RELEASE LEVER SPRING	1						
39	VMAOP62	SUB STOPPER	1						
40	VML3741	RID OPENER L	1						
41	VMAOP60	RID OPENER BASE L	1						
42	VML3763	T BRAKE RELEASE ARM XL	1						
43	VXA7551	BACK 1 ASS'Y	1						
44	VMD4794	BACK BASE	1						
45	VXL3178	BACK ARM L ASS'Y	1						
46	VMB3728	BACK RETURN SPRING	1						
47	VXL3179	BACK STOPPER ARM ASS'Y	1						
48	VMD4795	FLEX. GUIDE	1						
49	VMMO461	EE ROD	1						
50	VXA8066F	EE BASE ASS'Y	1						
51	VMS7277	T BRAKE RELEASE ARM SHAFT	1						
52	VMZ3337	REEL FLEX COVER	2						
53	VML3761	S BRAKE RELEASE ARM XL	1						
54	VMS7275	S BRAKE RELEASE ARM SHAFT	1						
55	VXL3180	S BRAKE ARM XL ASS'Y	1						
56	VJF1559	CLAMPER	3						
57	VMZ3746	MECHA IF COVER	1						
101	XQN2+CF4FJ	SCREW	4						
102	XYN26+F6FJ	SCREW	4						
103	XQN2+A15FJ	SCREW	6						
104	XQN2+A2FJ	SCREW	6						
105	VMX1079	CUT WASHER	7						
106	VMX0967	CUT WASHER	30						
107	XQN2+CF3FJ	SCREW	24						
108	VMX0653	CUT WASHER	1						
109	VMX1548	CUT WASHER	2						
110	LMHD16064	SCREW	3						
111	VMX1061	WASHER	4						
112	XYN26+J4FJ	SCREW	4						

# SLOT-IN UNIT ASSEMBLY




MPL-7

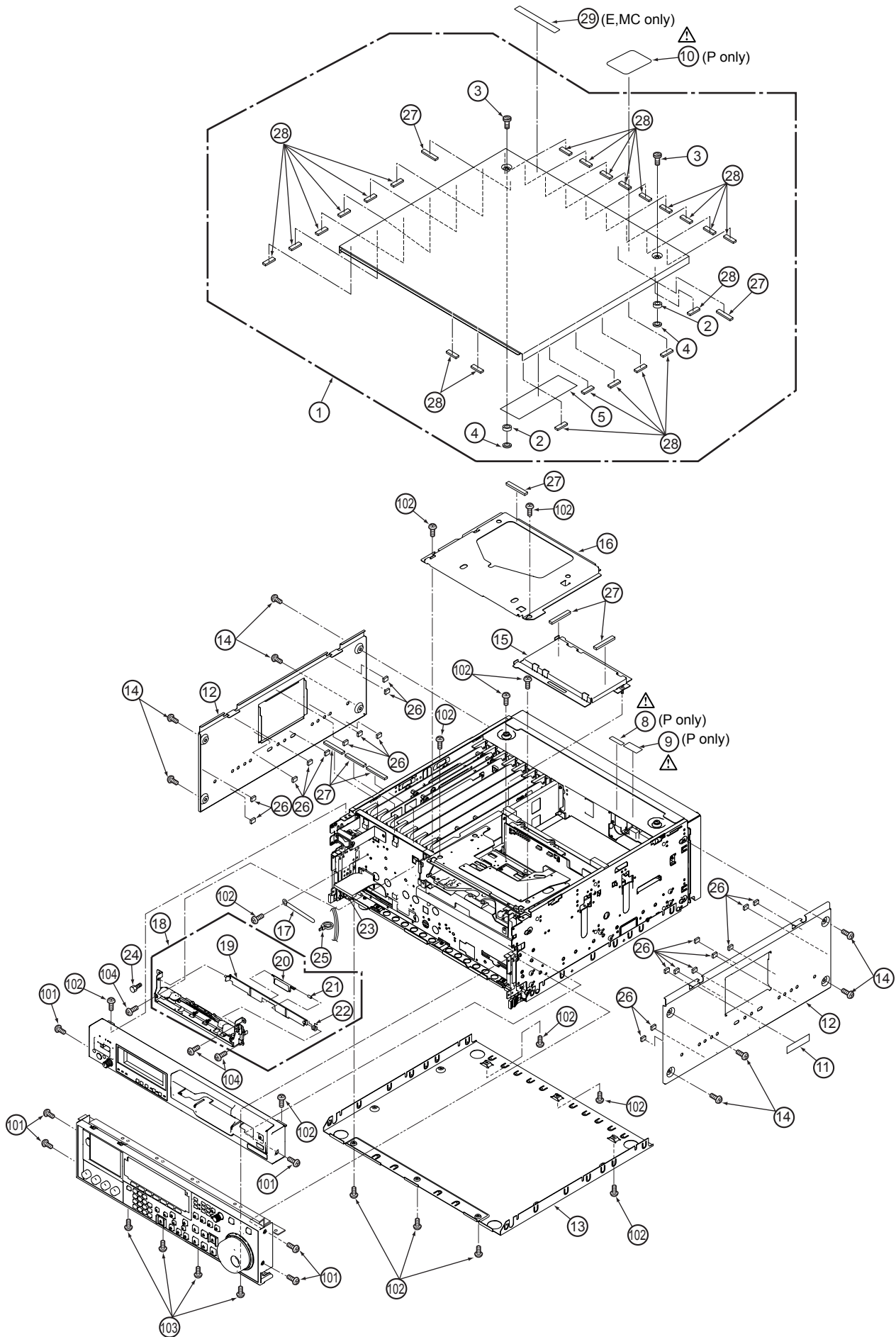


# SLOT-IN UNIT ASSEMBLY

Ref.No.	Part No.	Part Name & Description	Pcs	Remarks	Ref.No.	Part No.	Part Name & Description	Pcs	Remarks
1	VXA8503	CASSETTE COMPARTMENT	1	(M)	75	VMB3710	ARM RETURN SPRING L	1	
2	VDG1579	MAIN SHAFT GEAR	2		76	VXP2250	MOTOR WORM ASS'Y	1	
3	VDP1842	HOLDER LIMIT ROLLER	2		77	VDB1395	MAIN SHAFT ANGLE	2	
4	VDP1843	HOLDER ROLLER	2		78	VXA7739	ELEVATOR PLATE R ASS'Y	1	
5	VDP1845	CASSETTE HOLDER ROLLER S	2		79	VDB1682	FIX BEARING	2	
6	VDP1846	CASSETTE HOLDER ROLLER L	1		80	VDG1676	SLOT IN STAND WORM	1	
7	VDP1851	BLINDER DRIVE ROLLER	1		81	VDG1587	SLOT IN WORM SHAFT GEAR	1	
8	VXA8222	CASSETTE HOLDER ASS'Y	1		82	VMB3712	ARM RETURN SPRING R	1	
9	VDP1839	HOLDER ROLLER STAND	5		83	VMB3713	KICK OFF RETURN SPRING R	1	
10	VDP1840	HOLDER ROLLER S	2		84	VMD4790	ELEVATOR HOLD PIECE	1	
11	VEKOJ59	HOLDER FLEX. ASS'Y	1		85	VDG1588	FIX LACK L	1	
12	VMD4791	KICK OFF LEVER STOPPER L	1		86	VMB3731	RETURN SPRING	1	
13	VMD4792	KICK OFF LEVER STOPPER R	1		87	VMS7240	WORM SHAFT	1	
14	VMB3769	CASSETTE HOLD SPRING A	2		88	VXA7575	SIDE PLATE L 1 ASS'Y	1	
15	VMB3700	CASSETTE DETECT SPRING	3		89	VDP1861	MAIN SHAFT COLOR B	1	
16	VMB3701	CHARGE SPRING	2		90	VML3957	DETECT LEVER STOPPER	1	
17	VMB3702	SUPPORT HOLD SPRING L	1		91	VEEOW58	SLOT IN MOTOR CABLE	1	
18	VMB3703	SUPPORT HOLD SPRING R	1		92	VEEOW60	SLOT IN CABLE	1	
19	VMB3705	L RID LOCK SPRING	2						
20	VMB3706	M GUIDE SPRING	2						
21	VMB3707	XL RID SPRING	2		200	VMX1079	CUT WASHER	3	
22	VML3723	CASSETTE HOLD LEVER L	1		201	LMHD16064	SCREW	12	
23	VML3724	CASSETTE HOLD LEVER R	1		202	VMX0653	CUT WASHER	4	
24	VML3726	M GUIDE L	2		203	VMX0967	CUT WASHER	8	
25	VML3727	M GUIDE R	2		204	VMX2391	CUT WASHER	2	
26	VMM0450	XL DETECT ROD L	1		205	VMX1061	WASHER	12	
27	VMM0452	XL DETECT ROD R	1		206	XUC2FP	E-RING	2	
28	VMS7227	PRESSURE ROLLER AXIS	1		207	XQN16+A3FJ	SCREW	8	
29	VMX3263	ADAPTOR DETECT LEVER	1		208	XYN2+C4FJ	SCREW	22	
30	VMX3264	L/M DETECT LEVER	2		209	VMX1599	CUT WASHER	4	
31	VXA7563	SUPPORT HOLD L ASS'Y	1		210	XQN2+A3FJ	SCREW	6	
32	VDP1841	CHARGE ROLLER	2		211	XYN2+C5FJ	SCREW	2	
33	XWGV26Z5G	WASHER	1		212	XWGV2Y4G	WASHER	4	
34	VXA7564	SUPPORT HOLD R ASS'Y	1		213	XWGV3Y6G	WASHER	2	
35	VXA7580	SIDE PLATE R1 ASS'Y	1		214	XYN3+J4FJ	SCREW	2	
36	VWJ2068050LO	FLEX. CABLE	1		215	XUC15FP	E-RING	4	
37	VMAOP44	HOLDER ANGLE	1		216	XYN2+C4FJ	SCREW	4	
38	VMB3704	SPRING	1		217	XUC25FP	E-RING	9	
39	VML3725	LEVER	1		218	XWGV3Y8G	WASHER	8	
40	VMS6108	KICK OFF ROD SHAFT	5		219	XWGV3Z6G	WASHER	2	
41	VML3765	OPENER ARM	1		220	VMX1394	CUT WASHER	2	
42	VXL3200	BLINDER DRIVE ARM 1 ASS'Y	1		221	XWGV2D6G	WASHER	2	
43	VDB1683	MOVE BEARING	2		222	XWGV3D6G	WASHER	1	
44	VMAOP51	EJECT CHARGE PLATE	1		223	XWGV2Z5G	WASHER	1	
45	VMB3714	EJECT CHARGE SPRING	1		224	XUC12FP	E-RING	4	
46	VDG1592	MAIN SHAFT LUCK R	1						
47	VEKOJ60	SIDE FLEX. ASS'Y	1						
48	VXA7567	SUB HOLDER L ASS'Y	1						
49	VXA7568	SUB HOLDER R ASS'Y	1		E17	VEP80D62B	SLOT IN P. C. BOARD	1	
50	VXL3182	CHARGE LEVER L ASS'Y	1		E18	VEP80C66B	TOP PLATE P. C. BOARD	1	
51	VXL3183	CHARGE LEVER R ASS'Y	1		E19	VEP80E14A	MONITOR IF P. C. BOARD	1	
52	VXL3234	L RID LOCK RELEASE L ASSY	1						
53	VXL3235	M RID LOCK RELEASE L ASSY	1						
54	VXL3236	L RID LOCK RELEASE R ASSY	1						
55	VXL3237	M RID LOCK RELEASE R ASSY	1						
56	XWGV4Z7G	POLYSLIDER W	4						
57	VMB3709	SUB HOLDER SPRING	2						
58	VMX0967	CUT WASHER	4						
59	VMB3708	M RID LOCK SPRING	2						
60	VMB3749	M GUIDE SPRING R	2						
61	VXA8224	TOP PLATE ASS'Y	1						
62	VMAOP46	FRONT GUIDE ANGLE	1						
63	VML3766	FRONT GUIDE	1						
64	VXA7570	ELEVATOR PLATE L ASS'Y	1						
65	VMAOP54	MOVE LEVER	1						
66	VMB3716	MOVE LEVER SPRING	1						
67	VDG1589	EMERGENCY GEAR	1						
68	VDG1590	MOTOR CONNECTION GEAR	1						
69	VMB3711	KICK OFF RETURN SPRING L	1						
70	VDG1591	WORM WHEEL	1						
71	VEM0869	SLOT IN MOTOR ASS'Y	1	(M)					
72	VMB3715	EMERGENCY SPRING	1						
73	VXA7578	MOTOR BRACKET 1 ASS'Y	1						
74	VDP1844	KICK OFF ROLLER	2						

# CASING PARTS ASSEMBLY

Components identified with the mark  have the special characteristics for safety. When replacing any of these components, use only the same type.



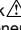
MPL-9

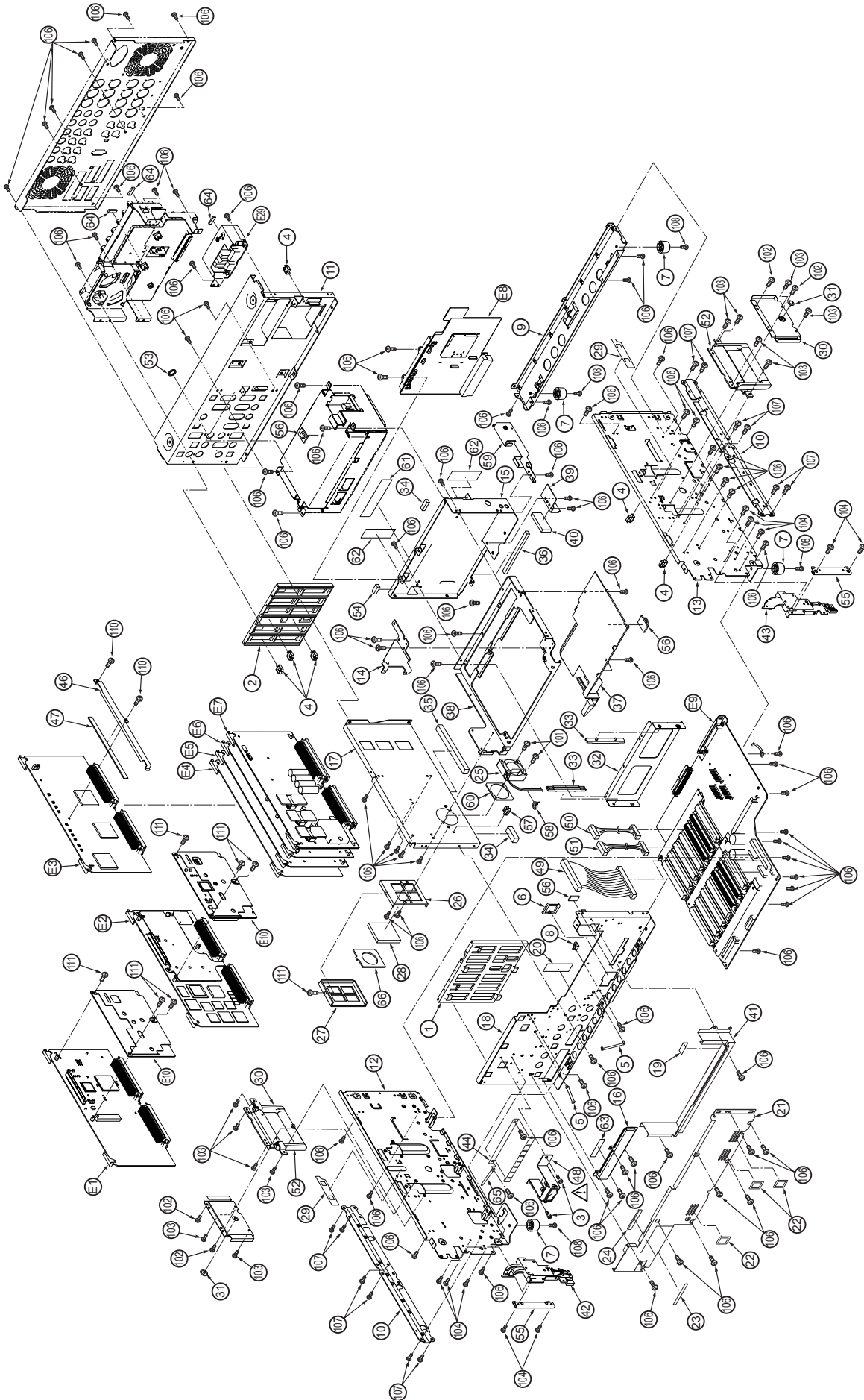






# CHASSIS & FRAME ASSEMBLY

Components identified with the mark  have the special characteristics for safety. When replacing any of these components, use only the same type.



MPL-13

# CHASSIS & FRAME ASSEMBLY

Components identified with the mark  $\Delta$  have the special characteristics for safety. When replacing any of these components, use only the same type.

Ref.No.	Part No.	Part Name & Description	Pcs	Remarks
1	VGG5645	P. C. B. GUIDE RAIL 7	1	
2	VGG8320	PBU GUIDE RAIL 7B	1	
3	VHD1773	SCREW	2	
4	VJF0384	CLAMPER	6	
5	VJF0469	CLAMPER	2	
6	VJF1259	EDGE HOLDER	1	
7	VKA0117	PLASTIC FOOT	4	
8	VMP8311	SUB P. C. B. HOLDER ANGLE	1	
9	VMP8338	BOTTOM FRAME	1	
10	VMP8313	MOUNT ANGLE	2	
11	VMP8880	BACK FRAME	1	
12	VMP8349	SIDE FRAME L	1	
13	VMP8352	SIDE FRAME R	1	
14	VMP8337	CASSETTE GUIDE MOUNT ANGLE	1	
15	VMP8881	MECHA REAR FRAME	1	
16	VSC5699	SHIELD COVER	1	
17	VMP8882	CENTER FRAME	1	
18	VMP8235	FRONT FRAME	1	
19	VGFO840	DUST PROOF	1	
20	VGFO859	SHIELD (2)	1	
21	VMP8236	FRONT SHIELD PLATE	1	
22	VMX3407	BLIND SHEET	3	
23	VJF1521	EDGE GUARD CE012-101	1	
24	VMT1014	DUST PROOF CUSHION (A)	1	
25	L6FAHBB0002	FAN MOTOR	1	
26	VMP6482	FILTER CASE	1	
27	VMP6483	FILTER CAP	1	
28	VGFO861	FILTER	1	
29	VMZ3064	HANDLE INSULATION SHEET	2	
30	VGM1716	HANDLE COLLAR	2	
31	VMG1309	RUBBER BUTTON	2	
32	VMP7120	RAIN ANGLE	1	
33	VGG1016	GUIDE RAIL	2	
34	VMT1043	CUSHION	2	
35	VMT1044	DUST PROOF CUSHION (L)	1	
36	VMT1540	CUSHION A	1	
37	VXA6706	MECHA SHIELD PLATE	1	
38	VXA8084	CHASSIS MOUNT PLATE U	1	
39	VMP8890	MECHA REAR FRAME	1	
40	VMT1106	CUSHION	1	
41	VXA7959	MECHA DUST DEFENCE U	1	
42	VYQ3442	ROTATION ANGLE U	1	
43	VYQ3443	ROTATION ANGLE U	1	
44	VMC1318	FRAME EARTH ANGLE A	1	
45	VMT1849	SOFT HIGH SHIELD GASKET	1	
46	VMP8891	SDI HOLDER ANGLE B	1	
47	VMT1099	CABLE HOLDER RUBBER B	1	
$\Delta$ 48	VES0958	POWER SW U	1	
49	VEE9643	MECHA CONNECTION 2 CABLE	1	K1PB80B00002
50	VEE0W80	MECHA CONNECTION CABLE C	1	
51	VEE0W81	MECHA CONNECTION CABLE B	1	
52	VYH0328	HANDLE U WITH SPRING	2	
53	VJF0861	BUSH	1	
54	VMT1660	CUSHION 1020	1	
55	VMP7422	HOLDER ANGLE	2	
56	VJF1413	CLAMPER	3	
57	VJF0285	WIRE LOCKING SADDLE	1	
58	VJF0300	A/C HEAD BINDER	1	
59	VMP8883	AC-SW LEAD GUIDE	1	
60	VMP9028	FAN SPACER	1	
61	VGFO799	DUST PROOF SHEET (C)	1	
62	VGFO858	SHIELD (1)	2	
63	VMT1810	SOFT HIGH SHIELD GASKET	1	
64	VMT1843	GASKET	1	
65	VJF1526	COATING CLIP	1	
66	VMP9051	FILTER GUARD	1	
101	XSN3+16FJK	SCREW	2	
102	XYN3+F8FJK	SCREW	4	
103	XSB3+6FJK	SCREW	12	
104	XYN3+C6FJ	SCREW	10	
106	XTV3+6FFJ	SCREW	77	


Ref.No.	Part No.	Part Name & Description	Pcs	Remarks
107	XTV4+6FFJ	SCREW	12	
108	XYNV3+K12FJ	SCREW	4	
110	XYN26+F6FJ	SCREW	1	
111	XYN3+J6FJ	SCREW	7	
E1	VEP83678A	V OUT P. C. BOARD	1	
E2	VEP83677A	REC PB P. C. BOARD	1	
E3	VEP83679A	SDI P. C. BOARD	1	
E4	VEP86361A	SYSCON P. C. BOARD	1	
E5	VEP84407A	AUDIO P. C. BOARD	1	
E6	VEP85229A	RF EQ P. C. BOARD	1	
E7	VEP82265A	SERVO P. C. BOARD	1	
E8	VEP85228A	RF CUE P. C. BOARD	1	
E9	VEP80E10A	MOTHER P. C. BOARD	1	
E10	VEP83662B	UDC P. C. BOARD	2	
E29	VEP81263A	AC INLET P. C. BOARD	1	

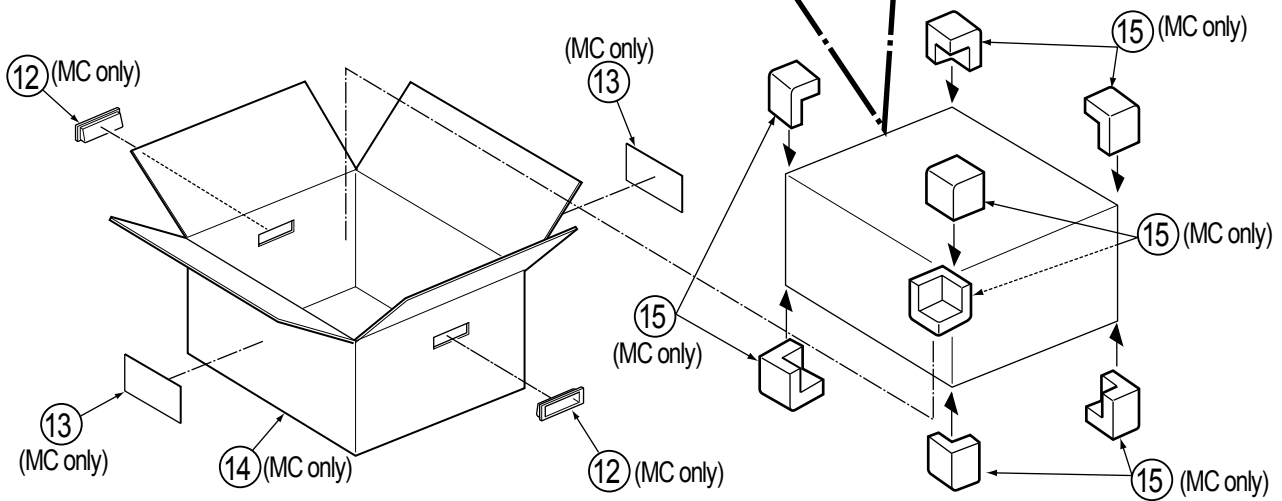
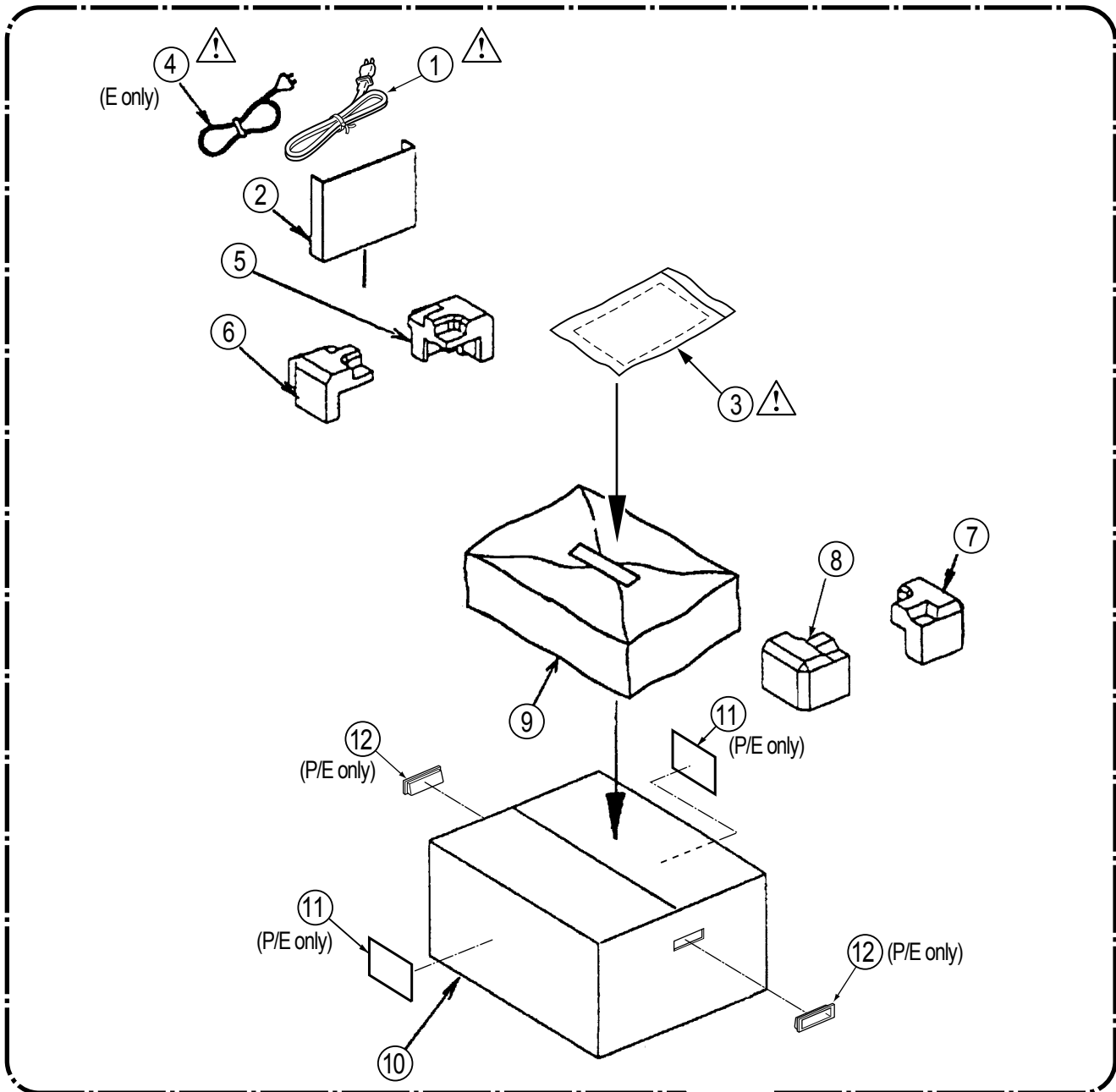






# PACKING PARTS ASSEMBLY

Components identified with the mark  have the special characteristics for safety. When replacing any of these components, use only the same type.





## Free Manuals Download Website

<http://myh66.com>

<http://usermanuals.us>

<http://www.somanuals.com>

<http://www.4manuals.cc>

<http://www.manual-lib.com>

<http://www.404manual.com>

<http://www.luxmanual.com>

<http://aubethermostatmanual.com>

Golf course search by state

<http://golfingnear.com>

Email search by domain

<http://emailbydomain.com>

Auto manuals search

<http://auto.somanuals.com>

TV manuals search

<http://tv.somanuals.com>