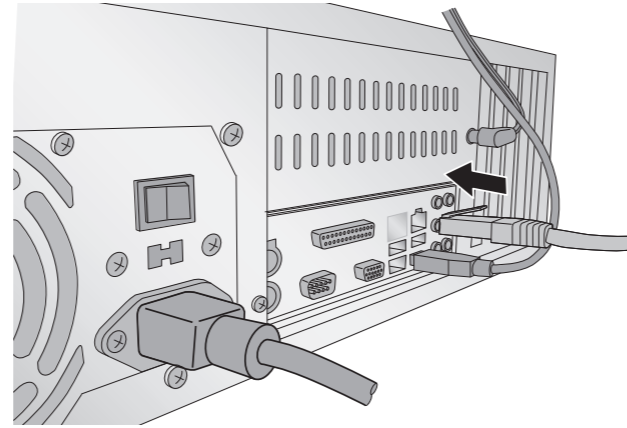


6 Connect the Ethernet Cable

Connect the unit to the Ethernet port with the provided Ethernet cable. The XRn will appear on your network as XRn-xxxxx where xxxxx is a number between 00001 and 99999.

Important! For ease of use the XRn has the Guest account enabled by default. If your network policy prohibits this practice please see Section 2D in the users manual.

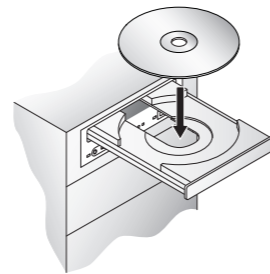


7 Install the PTPublisher Client Software

Place the Installer CD in your client computer's CD/DVD Drive. The Installer application will automatically launch in a few moments.

Click **Install Client** to begin the installation. By default, any computer with the PTPublisher Client software will be allowed to send jobs to the XRn. This setting can be edited using the Admin Utility.

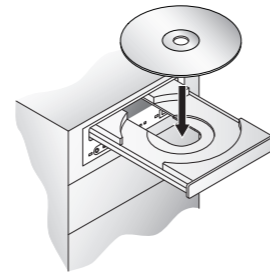
Note: If the Installer does not start, open My Computer on your desktop. Double-click the icon of the appropriate CD/DVD drive containing the Software Installer disc. Double-click **Installer.exe**.



8 Installing the Administrator Utility (Optional)

Install the Administrator Utility only for users who will need to change XRn system settings such as adding/removing authorized users, bin/media designation, viewing system logs, deleting archived jobs and designation users to be notified of system errors/warnings. Place the Installer CD in the client computer's CD/DVD Drive. The Installer application will automatically launch in a few moments.

Click **Install Administrator Utility** to begin the installation.



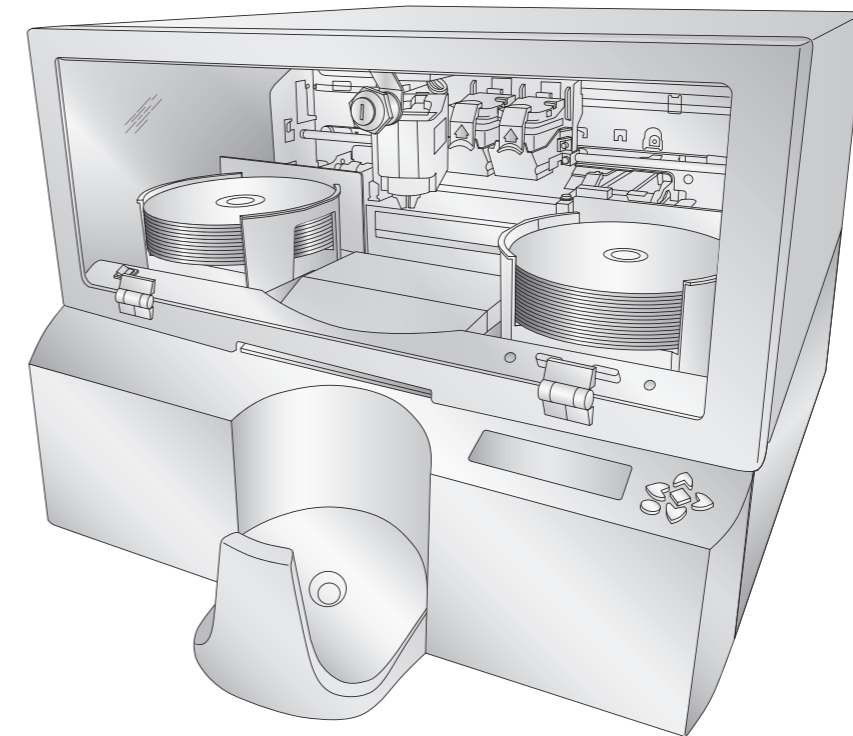
9 Using the Client or Admin Software

Congratulations, you are now ready to start publishing discs!

- For Instructions on submitting jobs to the XRn via the client software refer to Section 3 in the User's Manual.
- For Instructions on using the Admin Utility refer to Section 4A in the Users Manual.

Note: Default Login Password = AdminUtil1

- For help with any problems please visit Primera's online Knowledgebase at www.primera.com/knowledgebase.html.



*after registering your product. See www.primerawarranty.com for terms and conditions.

PRIMERA

© 2007 All rights reserved.

P/N 510992-061507

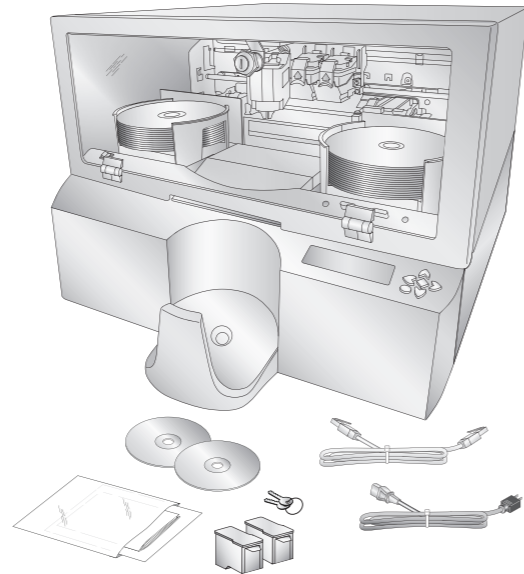
Download from www.Somanuals.com. All Manuals Search And Download.

Quick Start

1 Unpack Your XRn

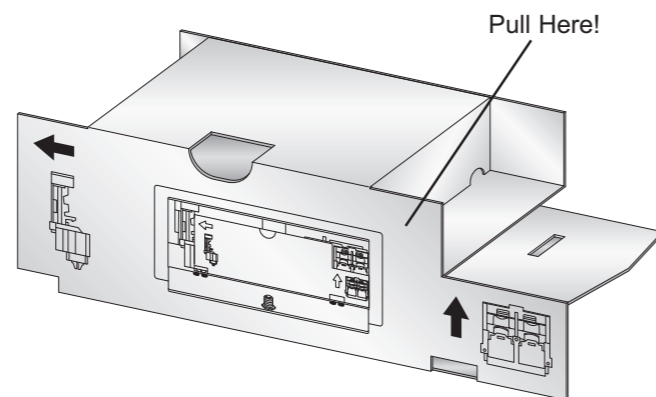
The following items are inside the box:

- Disc Publisher XRn Network Publisher
- 2 Gray Plastic Input and Output Bins (Located inside cardboard insert)
- Power Cord
- One Three-Color (CMY) Ink Cartridge
- One Monochrome Black Ink Cartridge
- Client Installation Disc
- 7' Ethernet Cable
- Warranty Card
- 2 Keys
- The Operator's Manual, Quick Start Guide and Other Printed Information



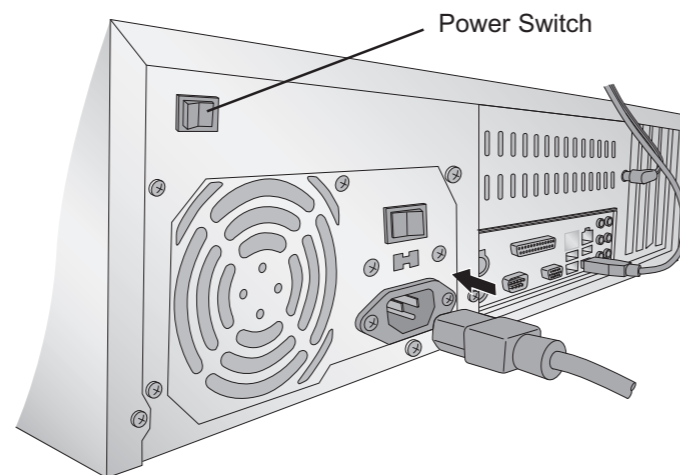
2 Remove Packing Material

- Remove all packing tape from the unit.
- Open the front cover with the key provided and remove the cardboard insert by pulling on the right side first.
- The cardboard insert (pictured to the right) prevents the cartridge carrier from damaging movement during shipment.
- Save the shipping box and packing materials. They will come in handy later if you ever need to transport the unit.
- Close and lock the cover.



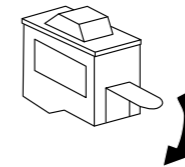
3 Applying Power

- Locate the power cord supplied with the unit.
- Place one end of the power cord into the plug on the back of the unit and the other end into a surge protected outlet.
- Turn on the power switch located on the back of the unit above the fan.
- The unit will initialize for approximately 60 seconds.



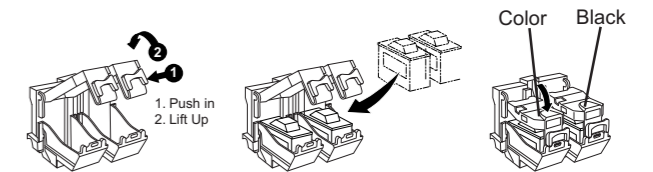
4 Installing Ink Cartridges

- Using the key provided, open the front cover of the unit. The cartridge carrier will move to the load position.
- Open the ink cartridge covers.
- Remove each ink cartridge from its packaging.
- Slowly remove the tape covering the cartridge's print head, being careful to avoid damaging the barcode label on the underside of the cartridge.



DO NOT TOUCH THE COPPER AREA!

- Insert the ink cartridges into the carrier, copper end first and snap the cartridge cover in place. Insert the color in the left holder, monochrome black in the right cartridge



holder.

- Close and lock the unit's front cover.
- Wait 30 seconds for the unit to check the cartridges and the bins before continuing to the next step.

Note: The unit will not function unless the front cover is closed and locked! Both LED lights inside the cover will be lit when the cover is locked and closed.

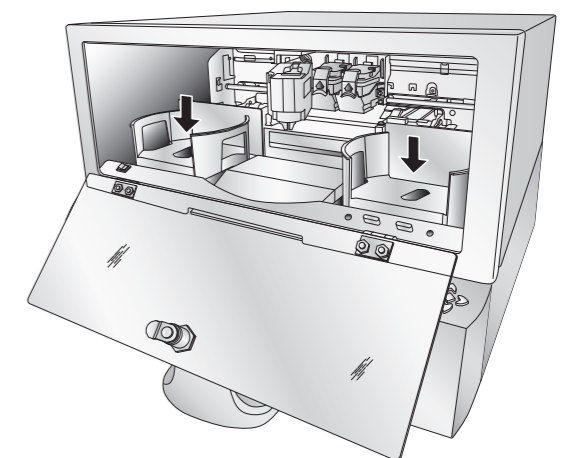
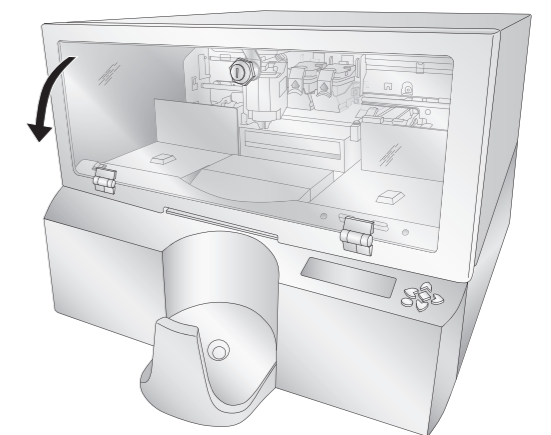
5 Loading Media (Discs)

NOTE: Your Printer can print directly onto virtually any brand of printable-surface CD/DVD media. However, different brands of discs have different printable coatings. Because of this, you may need to adjust the printer driver settings to accommodate your specific brand of CD/DVD media. Refer to Section 3B for further printer driver information.

For maximum print quality, use CD/DVD media authorized by Primera.

Refer to the following steps when loading discs in to the unit:

- Using the key provided, open the front cover of the unit.
- The Printer will automatically position the cartridge carrier and Robotic Disc Transporter to the center position allowing for easy access to the bins.
- Place the right and left bins into the unit and load them with CDs, DVDs, DVD-DL or a combination. (Each bin can hold only one type of media) Note the type of media that you are loading in each bin. You can add this information to the description of the unit using the Administrator Utility. If you are mixing media types you must enable bin selection using the Administrator Utility. See Section 4 of the users manual for more information about the Administrator Utility.
- Close and lock the cover.



Free Manuals Download Website

<http://myh66.com>

<http://usermanuals.us>

<http://www.somanuals.com>

<http://www.4manuals.cc>

<http://www.manual-lib.com>

<http://www.404manual.com>

<http://www.luxmanual.com>

<http://aubethermostatmanual.com>

Golf course search by state

<http://golfingnear.com>

Email search by domain

<http://emailbydomain.com>

Auto manuals search

<http://auto.somanuals.com>

TV manuals search

<http://tv.somanuals.com>