



# ***MicroMAX System***

**Princeton Instruments**  **ACTON**

**4411-0039-CE**  
**Version 6.C**  
**April 18, 2006**



©Copyright 2003-2006

Princeton Instruments, a division of Roper Scientific, Inc.  
3660 Quakerbridge Rd  
Trenton, NJ 08619  
TEL: 800-874-9789 / 609-587-9797  
FAX: 609-587-1970

All rights reserved. No part of this publication may be reproduced by any means without the written permission of Princeton Instruments, a division of Roper Scientific, Inc. ("Princeton Instruments").

Printed in the United States of America.

IPLab is a trademark of Scanalytics, Inc.

Macintosh is a registered trademark of Apple Computer, Inc.

Microsoft, Windows, and Windows NT are registered trademarks of Microsoft Corporation.

Pentium is a registered trademark of Intel Corporation.

PVCAM is a registered trademark of Photometrics, Ltd.

Radio Shack is a registered trademark of TRS Quality, Inc.

TAXI is a registered trademark of AMD Corporation

The information in this publication is believed to be accurate as of the publication release date. However, Princeton Instruments does not assume any responsibility for any consequences including any damages resulting from the use thereof. The information contained herein is subject to change without notice. Revision of this publication may be issued to incorporate such change.

# Table of Contents

---

<b>Chapter 1 Introduction.....</b>	<b>9</b>
Introduction.....	9
MicroMAX System Components .....	9
About this Manual .....	12
Environmental Conditions .....	13
Grounding and Safety .....	13
Precautions.....	14
Repairs .....	14
Cleaning.....	14
Princeton Instruments Customer Service.....	14
<b>Chapter 2 System Component Descriptions.....</b>	<b>15</b>
MicroMAX Camera.....	15
ST-133 Controller .....	18
Cables.....	23
Interface Card .....	23
Application Software .....	23
User Manuals .....	24
<b>Chapter 3 Installation Overview.....</b>	<b>25</b>
<b>Chapter 4 System Setup.....</b>	<b>27</b>
Unpacking the System .....	27
Checking the Equipment and Parts Inventory .....	27
System Requirements.....	28
Verifying Controller Voltage Setting.....	29
Installing the Application Software .....	30
Setting up the Communication Interface .....	30
Mounting the Camera .....	34
Selecting the Shutter Setting.....	39
Connecting the Interface (Controller-Computer) Cable .....	39
Connecting the Detector-Controller Cable .....	40
Entering the Default Camera System Parameters into WinX (WinView/32, WinSpec/32, or WinXTest/32).....	40
<b>Chapter 5 Operation.....</b>	<b>43</b>
Introduction.....	43
EMF and Xenon or Hg Arc Lamps.....	44
USB 2.0 System On/Off Sequences.....	44
Imaging Field of View .....	45
RS-170 or CCIR Video.....	45
First Light (Imaging) .....	47
First Light (Spectroscopy) .....	52
Exposure and Signal .....	55
Readout .....	60
Digitization .....	71

<b>Chapter 6 Advanced Topics .....</b>	<b>73</b>
Introduction.....	73
Standard Timing Modes.....	74
Frame Transfer Operation.....	78
Interline Operation.....	80
Fast and Safe Speed Modes .....	83
TTL Control.....	85
Kinetics Mode.....	89
<b>Chapter 7 MicroMAX DIF Camera (Double Image Feature).....</b>	<b>93</b>
Introduction.....	93
Timing Modes.....	94
Tips and Tricks .....	100
<b>Chapter 8 Virtual Chip Mode .....</b>	<b>103</b>
<b>Chapter 9 Troubleshooting .....</b>	<b>111</b>
Introduction.....	111
Baseline Signal Suddenly Changes.....	112
Camera Stops Working.....	112
Camera1 (or similar name) in Camera Name field .....	112
Changing the ST-133's Line Voltage and Fuses .....	113
Controller Is Not Responding.....	114
Cooling Troubleshooting .....	114
Data Loss or Serial Violation.....	115
Data Overrun Due to Hardware Conflict message.....	116
Data Overrun Has Occurred message .....	116
Demo is only Choice on Hardware Wizard:Interface dialog (Versions 2.5.19.0 and earlier).....	117
Demo, High Speed PCI, and PCI(Timer) are Choices on Hardware Wizard:Interface dialog (Versions 2.5.19.0 and earlier) .....	118
Detector Temperature, Acquire, and Focus are Grayed Out (Versions 2.5.19.0 and earlier).....	120
Error Creating Controller message .....	121
Error Occurs at Computer Powerup.....	121
No CCD Named in the Hardware Wizard:CCD dialog (Versions 2.5.19.0 and earlier) .....	124
Program Error message.....	124
Removing/Installing a Plug-In Module .....	125
Securing the Detector-Controller Cable Slide Latch .....	127
Serial violations have occurred. Check interface cable. ....	128
Shutter Malfunctions.....	128
<b>Appendix A Specifications .....</b>	<b>129</b>
CCD Arrays .....	129
Temperature Control.....	130
Cooling .....	130
Mounting.....	130
Shutters .....	131
Inputs .....	131
Outputs.....	131

---

Programmable Interface .....	132
A/D Converter.....	132
Computer Requirements .....	132
Miscellaneous .....	132
<b>Appendix B Outline Drawings.....</b>	<b>133</b>
Detectors .....	133
ST-133B Controller .....	139
ST-133A Controller .....	139
<b>Appendix C Repumping the Vacuum .....</b>	<b>141</b>
Introduction.....	141
Requirements .....	141
Vacuum Pumpdown Procedure.....	142
<b>Appendix D Spectrometer Adapters .....</b>	<b>145</b>
Acton (NTE with or without shutter).....	146
Chromex 250 IS (NTE with or without shutter) .....	147
ISA HR 320 (NTE with or without shutter).....	148
ISA HR 640 (NTE with or without shutter).....	149
JY TRIAX family (NTE without shutter) .....	150
SPEX 270M (NTE with or without shutter) .....	151
SPEX 500M (NTE with or without shutter) .....	152
SPEX TripleMate (NTE with or without shutter).....	153
<b>Appendix E USB 2.0 Limitations.....</b>	<b>155</b>
<b>Declarations of Conformity .....</b>	<b>157</b>
<b>Warranty &amp; Service .....</b>	<b>161</b>
Limited Warranty.....	161
Contact Information.....	164
<b>Index .....</b>	<b>165</b>

## Figures

Figure 1. MicroMAX Cameras and Controller .....	9
Figure 2. Power Switch Location (ST-133A and ST-133B).....	18
Figure 3. ST-133 Rear Panel Callouts .....	19
Figure 4. Shutter Compensation Times .....	22
Figure 5. Standard System Diagram .....	26
Figure 6. Controller Power Input Module.....	29
Figure 7. WinView Installation: Interface Card Driver Selection .....	30
Figure 8. Bottom Clamps.....	37
Figure 9. Bottom Clamp secured to Relay Lens .....	38
Figure 10. Shutter Setting for 25 mm Internal Shutter .....	39
Figure 11. Camera Detection Wizard - Welcome dialog box.....	41
Figure 12. RSConfig dialog box .....	41
Figure 13. Hardware Setup wizard: PVCAM dialog box .....	42
Figure 14. Block Diagram of Light Path in System.....	43
Figure 15. Imaging Field of View.....	45
Figure 16. Monitor Display of CCD Image Center Area.....	46
Figure 17. Standard System Connection Diagram.....	47
Figure 18. F-mount Focus Adjustment .....	51
Figure 19. CCD Exposure with Shutter Compensation .....	57
Figure 20. WinView/WinSpec Detector Temperature dialog box.....	58
Figure 21. Full Frame at Full Resolution.....	61
Figure 22. Frame Transfer Readout.....	63
Figure 23. Overlapped Mode Exposure and Readout.....	65
Figure 24. Non-Overlapped Mode Exposure and Readout.....	66
Figure 25. $2 \times 2$ Binning for Full Frame CCD .....	68
Figure 26. $2 \times 2$ Binning for Interline CCD .....	69
Figure 27. Timing tab page.....	73
Figure 28. Free Run Timing Chart (part of the chart in Figure 40).....	74
Figure 29. Free Run Timing Diagram.....	75
Figure 30. Showing Shutter "Preopen" & "Normal" Modes in External Sync Operation.....	76
Figure 31. External Sync Timing Diagram (- edge trigger).....	76
Figure 32. Continuous Cleans Flowchart.....	77
Figure 33. Continuous Cleans Timing Diagram .....	78
Figure 34. Frame Transfer where $t_{w1} + t_{exp} + t_c < t_R$ .....	79
Figure 35. Frame Transfer where $t_{w1} + t_{exp} + t_c > t_R$ .....	79
Figure 36. Frame Transfer where Pulse arrives after Readout.....	80
Figure 37. Overlapped Mode where $t_{w1} + t_{exp} + t_c < t_R$ .....	82
Figure 38. Overlapped Mode where $t_{w1} + t_{exp} + t_c > t_R$ .....	82
Figure 39. Overlapped Mode where Pulse arrives after Readout .....	82
Figure 40. Chart of Safe and Fast Mode Operation .....	84
Figure 41. TTL In/Out Connector.....	87
Figure 42. TTL Diagnostics dialog box .....	87
Figure 43. Kinetics Readout .....	89
Figure 44. Hardware Setup dialog box .....	90
Figure 45. Experiment Setup dialog box .....	90
Figure 46. Free Run Timing Diagram.....	91
Figure 47. Single Trigger Timing Diagram .....	91
Figure 48. Multiple Trigger Timing Diagram.....	92

Figure 49. Free Run Mode Timing Diagram .....	95
Figure 50. Setup using <b>READY</b> to Trigger an Event.....	95
Figure 51. Timing for Experiment Setup shown in Figure 50 .....	95
Figure 52. Timing Diagram for Typical IEC Measurement .....	97
Figure 53. Setup for IEC Experiment with Two Lasers .....	97
Figure 54. Timing Diagram for IEC Experiment with Two Lasers.....	97
Figure 55. Another Hardware Setup for an IEC Measurement.....	98
Figure 56. EEC Timing Example with Exposure Time in Software Set to <i>texp</i> .....	99
Figure 57. ESABI Timing Example: Image Exposure time = <i>texp</i> set in software .....	100
Figure 58. Virtual Chip Functional Diagram.....	103
Figure 59. System Diagram .....	105
Figure 60. Virtual Chip dialog box.....	108
Figure 61. Camera1 in Camera Name Field.....	112
Figure 62. Power Input Module.....	113
Figure 63. Fuse Holder .....	113
Figure 64. Data Overrun Due to Hardware Conflict dialog box.....	116
Figure 65. Hardware Wizard: Interface dialog box .....	117
Figure 66. RSConfig dialog box .....	117
Figure 67. Hardware Wizard: PVCAM dialog box .....	118
Figure 68. Hardware Wizard: Interface dialog box .....	118
Figure 69. RSConfig dialog box: Two Camera Styles .....	119
Figure 70. Hardware Wizard: PVCAM dialog box .....	119
Figure 71. RSConfig dialog box: Two Camera Styles .....	120
Figure 72. Error Creating Controller dialog box .....	121
Figure 73. Hardware Wizard: Detector/Camera/CCD dialog box.....	124
Figure 74. Program Error dialog box.....	124
Figure 75. Module Installation.....	125
Figure 76. Serial Violations Have Occurred dialog box.....	128
Figure 77. Rectangular Camera Head: C-Mount .....	133
Figure 78. Rectangular Camera Head: F-Mount.....	134
Figure 79. Rectangular Camera Head: Spectroscopy Mount with Shutter .....	135
Figure 80. Rectangular Camera Head: Spectroscopy Mount without Shutter .....	136
Figure 81. 1 MHz and 100kHz/1MHz Round Head Camera: C-Mount Adapter and Shutter.....	137
Figure 82. 1 MHz Round Head Camera: F-Mount Adapter .....	138
Figure 83. ST-133B Controller Dimensions.....	139
Figure 84. ST-133A Controller Dimensions.....	139
Figure 85. Vacuum Connector Required for Pumping .....	142
Figure 86. Removing the Back Panel .....	142
Figure 87. Attaching the Vacuum Connector .....	143
Figure 88. Opening the Camera to the Vacuum System.....	143

## Tables

Table 1. ST-133 Shutter Drive Selection.....	21
Table 2. PCI Driver Files and Locations .....	31
Table 3. USB Driver Files and Locations .....	34
Table 4. Bottom Clamps for Different Microscopes.....	37
Table 5. ST-133 Shutter Setting Selection.....	39
Table 6. Approximate Readout Time for the Full-Frame CCD Array.....	62

---

Table 7. Approximate Readout Time for the Frame-Transfer CCD Array.....	63
Table 8. Approximate Readout Time for the Interline CCD Arrays.....	67
Table 9. Readout Rates for PI 1300 × 1030 Array at 1 MHz .....	67
Table 10. Well Capacity for some CCD Arrays .....	70
Table 11. Detector Timing Modes.....	74
Table 12. Bit Values with Decimal Equivalents: 1 = High 0 = Low .....	86
Table 13. TTL In/Out Connector Pinout.....	87
Table 14. MicroMAX:512BFT: Virtual Chip Size, Exposure Time, and Frames per Second.....	104
Table 15. I/O Address & Interrupt Assignments before Installing Serial Card .....	122
Table 16. I/O Address & Interrupt Assignments after Installing Serial Card .....	122
Table 17. MicroMAX Model and CCD Types Cross Reference .....	129
Table 18. Shutter Compensation Times.....	131
Table 19. Features Supported under USB 2.0.....	156



## Introduction

---

### Introduction

The Princeton Instruments MicroMAX system is a high-speed, low-noise CCD camera system designed for demanding imaging applications and is an optimal system for use in fluorescence microscopy applications such as high-resolution immunofluorescence, FISH or GFP imaging. The MicroMAX system incorporates a compact camera head, cooled CCD, advanced exposure-control timing, video output, and sophisticated readout capabilities.

Among the advantages of the MicroMAX concept are the range of CCD arrays available and the built-in video output mode. The system can be configured with a variety of interline CCDs to provide true 12-bit images at a readout rate of up to 5 million pixels per second or with a variety of front or back-illuminated CCDs to provide true 16-bit images. The built-in video output mode simplifies setup and focusing on the microscope. The combination of the MicroMAX system with one of a variety of specialty software packages results in a powerful digital imaging system that can meet most experimental needs.

**Note:** "WinView/32" and "WinView" are used throughout this manual when referring to the application software. Unless otherwise indicated, the information associated with these terms also applies to Princeton Instruments' WinSpec/32 spectroscopy software.

### MicroMAX System Components

#### Overview

The MicroMAX imaging system consists of a camera (either a round head or a rectangular head depending on application), controller, digital interface card, a computer, cables, manuals, and application software. Together, these components allow you to acquire quantitative digital data under very low light imaging conditions. Each component is optimized for its specific function. In operation, data acquired by the

camera is routed to the controller and from there to the computer for processing and display. A composite video output allows immediate viewing of the acquired images on a separate monitor. The application software (for example, Princeton Instruments WinView/32) allows the computer to control both the system configuration and data acquisition.



*Figure 1. MicroMAX Cameras and Controller*

## Camera

**Introduction:** The function of the camera is to collect very low intensity light and convert the energy into a quantitative, electronic signal (photo-electrons) over a two dimensional space. To do this, light from the subject is focused onto a CCD array, which accumulates photoelectrons for the exposure time. At the end of the exposure time, the image thus formed is read out. The accumulated charge on each cell of the array is transferred out of the CCD array, amplified, and sent to the controller as an analog signal, where it is digitized prior to transfer to the computer.

The camera is highly integrated, containing the shutter (if applicable) and thermoelectric cooler with optional forced-air supplemental cooling in a single, shielded housing. Surface mount electronic technology is used wherever possible, giving a compact package with uncompromising performance.

Depending on your application, the camera included in your MicroMAX system will be either a compact round camera head or a high performance, cooled, rectangular camera head. The round head features interline CCDs; its small size ensures that the camera can be mounted on virtually any microscope port, including those found on inverted microscopes. The rectangular head features back-illuminated CCDs with frame transfer readout.

At the heart of the camera is the CCD array centered on the optic axis. Available formats include the:

- EEV CCD57-10, 512×512, 13×13µm pixels for the MicroMAX:512BFT
- EEV CCD47-10, 1024×1024, 13×13µm pixels for the MicroMAX:1024B
- Sony ICX075, 782×582, 8.3× 8.3µm pixels for the MicroMAX:782Y and the MicroMAX:782YHS systems
- Sony ICX061, 1300×1030, 6.7× 6.7µm pixels for the MicroMAX:1300Y, the MicroMAX:1300YHS, and MicroMAX:1300YHS-DIF systems

A special clocking mode to minimize background signal is supported. *See the Princeton Instruments brochures and data sheets for detailed specifications.*

**Cooling System:** MicroMAX cameras have a multi-stage Peltier type cooler that is thermally coupled to the CCD surface. Heat is sequentially transferred through the Peltier stages and from there to the outer shell of the camera via a heat transfer block. This cooling system allows the camera to maintain CCD temperature of typically -15°C for round cameras head and -45°C for rectangular camera heads. Cameras equipped with a fan assembly can reach lower CCD temperatures for reduced thermal noise and extended exposure times.

**Low Noise Readout:** In order to achieve a low-noise readout of the CCD, several design features have been implemented. These include cooling the preamplifier on the CCD, isolating circuits to prevent electronic crosstalk and minimizing the path lengths of critical electronic circuits. The net result of these design features is the lowest available readout noise at the highest speed possible for these CCDs.

## Controller

**Data Conversion:** The controller accepts the analog data and converts it to digital data using specially designed, low-noise electronics supporting scientific grade 12- or 16-bit Analog to Digital (A/D) converters.

The standard MicroMAX Controller enables both high-speed and high-precision readout capabilities. It can collect 16-bit images at a readout rate of up to 1 million pixels per second (1 MHz) in the high-speed mode or at 100 thousand pixels per second (100 kHz) in the optional precision mode (16-bit). Switching between the two modes is under software control for total experiment automation.

**Modular Design:** In addition to containing the power supplies, the controller contains the analog and digital electronics, scan control and exposure timing hardware, and system I/O connectors, all mounted on user-accessible plug-in modules. The design is highly modularized for flexibility and convenient servicing.

**Flexible Readout:** There is provision for extremely flexible readout of the CCD. Readout modes supported include full resolution, simultaneous multiple subimages, and nonuniform binning. Single or multiple software-defined regions of interest can also be tested without having to digitize all the pixels of the array

**High Speed Data Transfer:** Data is transferred directly to the host computer memory via a high-speed serial link. A proprietary Interface card places the data from the controller directly into the host computer RAM using Direct Memory Access (DMA). The DMA transfer process ensures that the data arrives at sufficiently high speed to prevent data loss from the controller. Since the data transfer rate is much higher than the output rate from the A/D, the latter becomes the data acquisition rate-limiting factor. Once the digital data is in RAM, the image acquisition program can transfer the image into its own working RAM for viewing and further processing.

**Note:** A frame buffer with standard composite video, either RS-170 (EIA) or CCIR, whichever was ordered, is also provided.

### ***Applications***

With its small size, fully integrated design, cooled CCD and temperature control, advanced exposure control timing, and sophisticated readout capabilities, the MicroMAX system is well suited to both general macro imaging and microscopy applications.

## About this Manual

### **Manual Organization**

This manual provides the user with all the information needed to install a MicroMAX camera and place it in operation. Topics covered include a detailed description of the camera, installation, cleaning, specifications and more.

#### **Notes:**

1. The general identifier "ST-133" is used for both the ST-133A Controller and the ST-133B Controller. Where there is a difference, the specific identifier is used.
2. "WinX" is a generic term for WinView, WinSpec, and WinXTest application software.

**Chapter 1, Introduction** briefly describes the MicroMAX family of cameras; details the structure of this manual; and documents environmental, storage, and cleaning requirements.

**Chapter 2, System Component Descriptions** provides descriptions of each system component.

**Chapter 1, Installation Overview** cross-references system setup actions with relevant manuals and/or manual pages. It also contains system layout diagrams.

**Chapter 4, System Setup** provides detailed directions for interconnecting the system components.

**Chapter 5, Operation** discusses number of topics, including temperature control, vacuum degradation, and sensitivity to damage from EMF spikes generated by Xenon or Hg arc lamps. Includes step-by-step directions for verifying system operation.

**Chapter 6, Advanced Topics** discusses standard timing modes (Free Run, External Sync, and Continuous Cleans), frame transfer operation, interline operation, Fast and Safe speed modes, TTL control, and Kinetics mode.

**Chapter 7, MicroMAX DIF Camera (Double Image Feature)** describes DIF (Dual Image Feature) camera and its operation.

**Chapter 8, Virtual Chip Mode** describes how to set up and use the Virtual Chip option, a special fast-acquisition technique.

**Chapter 9, Troubleshooting** provides courses of action to take if you should have problems with your system.

**Appendix A, Specifications** includes controller and camera specifications.

**Appendix B, Outline Drawings** includes outline drawings of the MicroMAX cameras and the ST-133A and ST-133B Controllers.

**Appendix C, Repumping the Vacuum** explains how to restore the 1 MHz or 100kHz/1MHz round head camera's vacuum if that vacuum has deteriorated over time.

**Appendix D, Spectrometer Adapters** provides mounting instructions for the spectrometer adapters available for MicroMAX rectangular head (NTE) cameras.

**Appendix E, USB 2.0 Limitations** covers the currently known limitations associated with operating under the USB 2.0 interface.

**Declarations of Conformity** contains the Declaration of Conformity for 1 MHz (includes 100 kHz/1MHz) MicroMAX systems.

**Warranty and Service** provides warranty and customer support contact information.

### **Safety Related Symbols Used in This Manual**



**Caution!** The use of this symbol on equipment indicates that one or more nearby items should not be operated without first consulting the manual. The same symbol appears in the manual adjacent to the text that discusses the hardware item(s) in question.



**Caution! Risk of electric shock!** The use of this symbol on equipment indicates that one or more nearby items pose an electric shock hazard and should be regarded as potentially dangerous. This same symbol appears in the manual adjacent to the text that discusses the hardware item(s) in question.

## **Environmental Conditions**

- Storage temperature: < 55°C
- Operating environment: 0°C to 30°C
- Relative humidity: ≤50%, non-condensing.

## **Grounding and Safety**

The apparatus described in this manual is of the Class I category as defined in IEC Publication 348 (Safety Requirements for Electronic Measuring Apparatus). It is designed for indoor operation only. Before turning on the controller, the ground prong of the power cord plug must be properly connected to the ground connector of the wall outlet. The wall outlet must have a third prong, or must be properly connected to an adapter that complies with these safety requirements.

### **WARNING**

If the equipment is damaged, the protective grounding could be disconnected. Do **not** use damaged equipment until its safety has been verified by authorized personnel. Disconnecting the protective earth terminal, inside or outside the apparatus, or any tampering with its operation is also prohibited.

Inspect the supplied power cord. If it is not compatible with the power socket, replace the cord with one that has suitable connectors on both ends.

### **WARNING**

Replacement power cords or power plugs must have the same polarity as that of the original ones to avoid hazard due to electrical shock.

## Precautions

To prevent permanently damaging the system, please observe the following precautions:

- Always switch off and unplug the ST-133 Controller before changing your system configuration in any way.
- Never remove the camera's front window, as it is necessary to maintain vacuum (or to maintain a dry nitrogen environment).
- The CCD array is very sensitive to static electricity. Touching the CCD can destroy it. Operations requiring contact with the device can only be performed at the factory.
- Never operate the camera cooled without proper evacuation or backfill. This could damage the CCD!
- Never connect or disconnect any cable while the MicroMAX system is powered on. Reconnecting a charged cable may damage the CCD.
- Never prevent the free flow of air through the equipment by blocking the air vents.

## Repairs

Repairs must be done by Princeton Instruments. If your system hardware needs repair, contact Princeton Instruments Customer Service. Please save the original packing material so you can safely ship the system to another location or return it for repairs.

## Cleaning

### WARNING!

Turn off all power to the equipment and secure all covers before cleaning the units. Otherwise, damage to the equipment or personal injury could occur.

### ***Camera and Controller***

Although there is no periodic maintenance that *must* be performed on the camera or the ST-133 Controller, you may clean these components from time to time by wiping them down with a clean damp cloth. This operation should only be done on the external surfaces and with all covers secured. In dampening the cloth, use clean water only. No soap, solvents or abrasives should be used. Not only are they not required, but they could damage the finish of the surfaces on which they are used.

### ***Optical Surfaces***

Optical surfaces may need to be cleaned due to the accumulation of atmospheric dust. We advise that the *drag-wipe* technique be used. This involves dragging a clean cellulose lens tissue dampened with clean anhydrous methanol over the optical surface to be cleaned. Do not allow any other material to touch the optical surfaces.

## Princeton Instruments Customer Service

Refer to the contact information located on page 164 of this manual.

# System Component Descriptions

---

## MicroMAX Camera



**CCD Array:** MicroMAX offers a choice of CCD technologies to improve quantum efficiency (QE) and blue/green sensitivity. Arrays are available in full-frame, interline, and frame-transfer formats. Thinned, back-illuminated devices have a higher QE across the entire visible spectrum and far superior sensitivity in the blue/ green region than front-illuminated CCDs. The MicroMAX combines back-illumination technology with frame-transfer readout to provide high sensitivity with nonshuttered operation. Interline-transfer CCDs contain alternate columns of imaging and storage cells.

Because the charge on each image pixel never has to transfer more than one row, the transfer can be made very quickly without smearing. By attaching microlenses to an interline-transfer CCD, incident light is directed to the photosensitive areas of the sensor. As a result, lens-on-chip formats dramatically improve the QE in the blue/green region of the spectrum while still allowing fast imaging. Since no shutter is required, high-speed gating and faster focus are possible.

**CCD Chamber:** The vacuum-sealed CCD chamber protects the CCD from contamination as well as insulates it from the warmer air in the camera body. The inherent low humidity prevents condensation on the cooled surface of the array. The thermal barrier provided by the vacuum isolates the window from the cooled CCD, keeps the window from cooling below the dewpoint, and thereby prevents condensation on the outside of the window.

MicroMAX cameras are normally shipped with a vacuum level of  $\sim 10$  mTorr or better. Because this vacuum may deteriorate over time due to outgassing of electrical components, round head MicroMAX cameras are designed with a built-in vacuum port that can be used to restore the vacuum to its original level. Instructions for repumping the vacuum are provided in Appendix C.

**Window:** The camera has one window in the optical path. The high-quality optical quartz window is integral to the vacuum chamber. By having only one window, the MicroMAX camera reduces the chance of image degradation due to multiple reflections, stray light, and interference patterns that may occur with a multiple-window design.

**Thermoelectric Cooler:** While the CCD accumulates charge, thermal activity releases electrons, generating dark current. Cooling the CCD enhances the low-light sensitivity by reducing thermally generated charge. With forced-air assistance the MicroMAX camera's thermoelectric cooler is capable of cooling the CCD to  $-35^{\circ}\text{C}$  with  $\pm 0.04^{\circ}\text{C}$  stability at temperature lock.

Cooling is accomplished by mounting the CCD on a cold finger, which in turn is seated on a thermoelectric (Peltier-effect) cooler, and then transferring heat through the Peltier stages to the camera body where the heat is then radiated via a fins and removed by

forced air. CCD temperature is controlled and monitored by via the host computer and the ST-133 Controller.

**Shutter:** Rectangular head cameras are available with an internal 25 mm shutter.

A shutter drive signal is available at the Remote shutter connector on the rear of the ST-133 Controller or on the rear of the camera.

**Electronics:** The camera electronics enclosure contains the preamplifier and array driver board. This design keeps all signal leads to the preamplifier as short as possible and also provides complete RF shielding.

Speed of data acquisition and dynamic range is determined primarily by the A/D converter used (binning on the array is also a factor). MicroMAX cameras are available with 100 kHz (16-bit A/D), 100 kHz /1 MHz (16-bit A/D), 1 MHz (12-bit A/D), or 1 MHz (16-bit A/D). The dual 16-bit digitizers give you the choice of the 100 kHz A/D for the better signal-to-noise ratio or the 1 MHz, 16-bit A/D for increased data acquisition speed.

**Connectors:** Power, control signals, and data are transmitted between the ST-133 and the MicroMAX camera via the 25-pin D connector located on the rear of the 1 MHz or 100kHz/1 MHz camera. The cables and connectors are keyed so that they cannot be connected incorrectly.

**Lens Mount Housing:** At the front of the camera is the lens mount housing, either C-mount or F-mount. The C-mount employs a standard size thread to make the connection while an F-mount uses a tongue and groove type mechanism to secure the lens or microscope adapter to the camera. The details of the housing will vary depending on the type of mount.

**Note:** C-mount cameras are shipped with a dust cover lens installed. Although this lens is capable of providing surprisingly good images, its throughput is low and the image quality is not as good as can be obtained with a high-quality camera lens. Users should replace the dust-cover lens with their own high-quality laboratory lens before making measurements.

### Caution

If you have a camera with a UV scintillator coated CCD, protect it from excessive exposure to UV radiation. This radiation slowly bleaches the scintillator, reducing sensitivity.

**Mounting Holes:** The round head camera has four 1/4" x 20 UNC threaded holes on the camera body at 90° intervals. These holes are provided for flexibility in mounting the camera to your system optics. The rectangular head camera can be ordered with an optional tripod mount kit.

**Fan:** Depending on the camera, there may be an internal fan located inside or on the camera's back panel. Its purpose is:

- to remove heat from the Peltier device that cools the CCD array
- to cool the electronics.

An internal Peltier device directly cools the cold finger on which the CCD is mounted. The heat produced by the Peltier device is then removed by the air drawn into the camera by the internal fan and exhausted through the back panel. The fan is always in operation and air cooling of both the Peltier and the internal electronics takes place continuously.



The fan is designed for low-vibration and does not adversely affect the image. For the fan to function properly, free circulation must be maintained between the rear of the camera and the laboratory atmosphere.

**Shutter:** In imaging applications an adapter is mounted to the camera and then the lens, either C-mount or F-mount, is mounted to the adapter. An F-mount adapter and a C-mount adapter differ not only in their lens-mounting provisions, but also in depth because the focal plane of F-mount lenses is deeper than that of C-mount lenses. Nevertheless, rectangular head cameras can be ordered with an internal 25 mm shutter and the appropriate lens mount adapter already installed.

**Shutter Life:** Note that shutters are mechanical devices with a finite lifetime, typically on the order of a million cycles, although some individual shutters may last a good deal longer. How long a shutter lasts in terms of experimental time will, of course, be strongly dependent on the operating parameters. High repetition rates and short exposure times will rapidly increase the number of shutter cycles and decrease the time when the shutter will have to be replaced. Possible shutter problems include complete failure, in which the shutter no longer operates at all, or the shutter may stick open or closed causing overexposed or smeared images. It may even happen that one leaf of the shutter will break and no longer actuate.

Shutter replacement is usually done at the factory. If you find that the shutter on your camera is malfunctioning, contact the factory to arrange for a shutter-replacement repair.

**WARNING**

Disconnecting or connecting the shutter cable to the camera while the controller is on can destroy the shutter or the shutter drive circuitry. *Always power off the controller before adjusting the shutter cable.*

## ST-133 Controller



**Electronics:** The Model ST-133 is a compact, high performance CCD Camera Controller for operation with Princeton Instruments cameras. Designed for high speed and high performance image acquisition, the ST-133 offers data transfer at speeds up to 5 Megapixel per second, standard video output for focusing and alignment. A variety of A/D converters are available to meet different speed and resolution requirements.

In addition to containing the power supply, the controller contains the analog and digital electronics, scan control and exposure timing hardware, and controller I/O connectors, all mounted on user-accessible plug-in modules. This highly modularized design gives flexibility and allows for convenient servicing.

**POWER Switch and Indicator:** The power switch location (see Figure 2) and characteristics depend on the version of ST-133 Controller that was shipped with your system. In some versions, the power switch is on the front and has an integral indicator LED that lights whenever the ST-133 is powered. In other versions, the power switch is located on the back of the ST-133 and does not include an indicator LED.

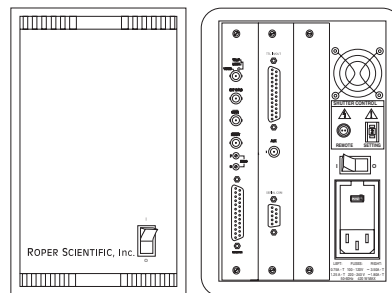


Figure 2. Power Switch Location (ST-133A and ST-133B)

**Rear Panel Connectors:** There are three controller board slots. Two are occupied by the plug-in cards that provide various controller functions. The third,

covered with a blank panel, is reserved for future development. The left-most plug-in card is the Analog/Control module. Adjacent to it is the Interface Control module. Both modules align with top and bottom tracks and mate with a passive back-plane via a 64-pin DIN connector. For proper operation, the location of the modules should not be changed. Each board is secured by two screws that also ground each module's front panel. Removing and inserting boards is described in Chapter 9, pages 125-126.

### WARNING

To minimize the risk of equipment damage, a module should *never* be removed or installed when the system is powered.

The **Analog/Control Module**, which should always be located in the left-most slot, provides the following functions.

- Pixel A/D conversion
- Timing and synchronization of readouts
- CCD scan control
- Temperature control
- Exposure control
- Video output control

The **Interface Control Module**, which should always be located in the center slot, provides the following functions.

- TTL In/Out Programmable Interface
- Communications Control (TAXI or USB 2.0 protocol)

**WARNING**

Always turn the power off at the Controller before connecting or disconnecting any cable that interconnects the camera and controller or serious damage to the CCD may result. This damage is **NOT** covered by the manufacturer's warranty.

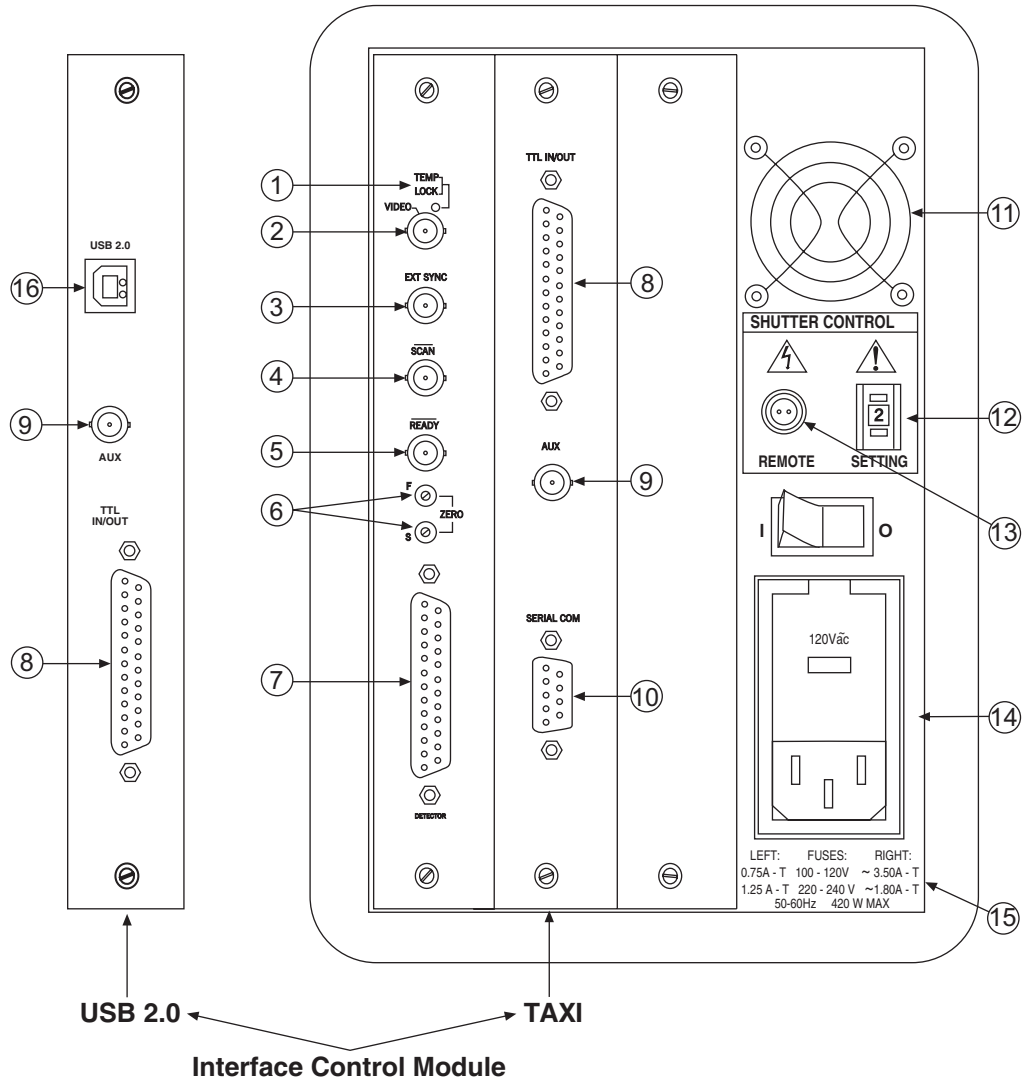


Figure 3. ST-133 Rear Panel Callouts

The descriptions of the rear panel connectors are keyed to the accompanying figure. Depending on your system, either the TAXI or the USB 2.0 Interface Control Module will be installed in the second from the left slot (as you face the rear of the ST-133). In Figure 3, the TAXI module is shown in that position.

#	Feature
1.	<b>Temperature Lock LED:</b> Indicates that the temperature control loop has locked and that the temperature of the CCD array will be stable to within $\pm 0.05^{\circ}\text{C}$ .
2.	<b>Video/Aux Output:</b> Composite video output is provided at this connector; if labeled Aux, this output is reserved for future use. The Video output amplitude is 1 V pk-pk and the source impedance is $75\ \Omega$ . Either RS-170 (EIA) or CCIR standard video can be provided and must be specified when the system is ordered. The video should be connected to the monitor via $75\ \Omega$ coaxial cable and it must be terminated into $75\ \Omega$ .  Note that video output is not currently supported under USB 2.0.
3.	<b>External Sync Input:</b> TTL input that has a $10\ \text{k}\Omega$ pullup resistor. Allows data acquisition and readout to be synchronized with external events. Through software, positive or negative (default) triggering can be selected.
4.	<b>SCAN Output</b> WinX/32 (ver. 2.4 and higher) software-selectable NOT SCAN or SHUTTER signal. Default is SHUTTER. NOT SCAN reports when the controller is finished reading out the CCD array. NOT SCAN is high when the CCD array is not being scanned, then drops low when readout begins, returning to high when the process is finished. The second signal, SHUTTER, reports when the shutter is opened and can be used to synchronize external shutters. SHUTTER is low when the shutter is closed and goes high when the shutter is activated, dropping low again after the shutter closes. See Figure 4 for timing diagram.
5.	<b>READY Output:</b> Initially HIGH. After a Start Acquisition command, this output changes state on completion of the array cleaning cycles that precede the <i>first</i> exposure. Initially high, it goes low to mark the beginning of the <i>first</i> exposure. In free run operation it remains low until the system is halted. If a specific number of frames have been programmed, it remains low until all have been taken, then returns high.
6.	<b>Zero Adjustment:</b> (1 MHz and 100kHz/1 MHz systems) Control the offset values of the Fast (F) and Slow (S) A/D converters; if potentiometers are not present, bias may be software-settable. Preadjusted at factory. The offset is a voltage that is added to the signal to bring the A/D output to a non-zero value, typically 50-100 counts. This offset value ensures that all the true variation in the signal can really be seen and not lost below the A/D "0" value. Since the offset is added to the signal, these counts only minimally reduce the range of the signal from 4095 to a value in the range of 50-100 counts lower. Adjusting a potentiometer clockwise increases the counts while rotating it counterclockwise decreases the counts. If potentiometers are not present, bias may be software-settable. <b>CAUTION:</b> Do not adjust the offset values to zero, or some low-level data will be missed.
7.	<b>Detector Connector:</b> (1MHz and 1 MHz/100kHz systems) Transmits control information to the camera and receives data back from the camera via the Detector-Controller cable.
8.	<b>TTL In/Out:</b> User-programmable interface with eight input bits and eight output bits that can be written to or polled for additional control or functionality. Output is not currently supported under USB 2.0. See Chapter 6.
9.	<b>AUX Output:</b> Reserved for future use.

#	Feature
10.	<b>Serial COM Connector:</b> Provides two-way serial communication between the controller and the host computer. Uses TAXI protocol. Contact the factory if an application requires use of the optional fiber-optic data link to increase the maximum allowable distance between the camera and the computer.
11.	<b>Fan:</b> Cools the controller electronics. Runs continuously when the controller is turned on. Do not block the side vents or the fan exhaust port.
12.	<b>Shutter Setting Selector:</b> Sets the shutter hold voltage. Dial is correctly set at the factory for the camera's internal shutter if one is present. Refer to Table 1 for setting selection.
13.	<p><b>Remote Shutter Connector:</b> Provides shutter-hold pulses for a 25 mm Princeton Instruments-supplied external shutter (typically an entrance slit shutter).</p> <p><b>WARNING:</b> Dangerous live potentials are present at the <b>Remote Shutter Power</b> connector. To avoid shock hazard, the Controller power should be OFF when connecting or disconnecting a remote shutter.</p> <p><b>WARNING:</b> If the camera has an internal shutter, then the Shutter Power connector should not be used to drive a second <i>external</i> shutter. This configuration will result in under-powering both shutters and may cause damage to the system <i>In a system which requires both an internal and an external shutter, use the Shutter signal (provided at the <b>SCAN</b> connector when selected by an internal jumper or by software parameter selection) to control the external shutter. Suitable driver electronics will additionally be required. Contact the factory Technical Support Dept. for information.</i></p>
14.	<b>Power Input Module:</b> Contains the powercord socket and two fuses. Depending on the ST-133 version, the power switch may be located directly above the power module.
15.	<b>Fuse/Voltage Label:</b> Displays the controller's power and fuse requirements. This label may appear above the power module.
16.	<b>USB 2.0 Connector:</b> Provides two-way serial communication between the controller and the host computer. Uses USB 2.0 protocol.



**WARNING:** Dangerous live potentials are present at the **Remote Shutter Power** connector. To avoid shock hazard, the Controller power should be OFF when connecting or disconnecting a remote shutter.

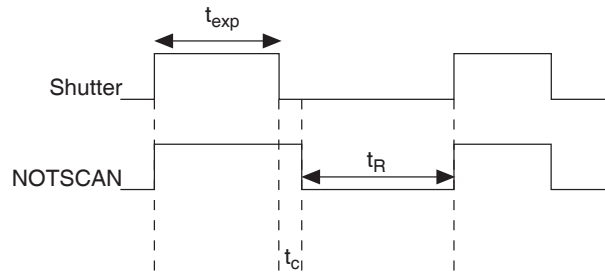


Shutter Setting*	Shutter Type
1	25 mm Princeton Instruments supplied External shutter (typically an Entrance slit shutter)
2	25 mm Princeton Instruments Internal shutter
4	35 mm Princeton Instruments Internal shutter (requires 70 V Shutter option), supplied with rectangular head camera having 1300 × 1340 CCD
5	40 mm Princeton Instruments Internal shutter
* Shutter settings 0, 3, and 6-9 are unused and are reserved for future use.	

Table 1. ST-133 Shutter Drive Selection

**WARNING**

Selecting the wrong shutter setting will result in improper functioning of the shutter and may cause premature shutter failure.



$t_{exp}$  = Exposure Time

$t_R$  = Readout Time

$t_c$  = Shutter Compensation Time

Shutter Type	Compensation Time
NONE	200 nsec
Electronic	6.0 msec
Remote (Roper Scientific 23 mm, External, typically a slit shutter)	8.0 msec
Small (Roper Scientific 25 mm, Internal)	8.0 msec
Large (Roper Scientific 35/40 mm, External)	28.0 msec

Figure 4. Shutter Compensation Times

## Cables



**Detector-Controller: 1 MHz or 100kHz/1MHz systems.** The standard 10' cable (6050-0321) has DB-25 Male connectors with slide-latch locking hardware. This cable interconnects the Detector connector on the rear of the ST-133 with the Detector connector on the back of the MicroMAX camera. The Detector-Controller cable is also available in 6', 15', 20', and 30' lengths.

**Interface Cable:** Depending on the system configuration, either a TAXI or a USB cable will be shipped.



**TAXI:** The standard 25' (7.6 m) cable (6050-0148-CE) has DB-9 Male connectors with screw-down locking hardware. The TAXI (Serial communication) cable interconnects the "Serial Com" connector on the rear of the ST-133 with the PCI card installed in the host computer. In addition to the standard length, this cable is available in 10', 50', 100', and 165' lengths. Also available are fiber optic adapters with fiber optic cables in 100, 300, and 1000 meter lengths.



**USB 2.0:** The standard 16.4' (5 m) cable (6050-0494) has USB connectors that interconnect the "USB 2.0" connector on the rear of the ST-133 with a USB card installed in the host computer.

## Interface Card



**PCI Card:** This interface card is required when the system interface uses the TAXI protocol rather than USB 2.0. The PCI card plugs-into the host computer's motherboard and provides the serial communication interface between the host computer and the ST-133. Through WinView/32, the card can be used in either **High Speed PCI** or **PCI(Timer)** mode. **High Speed PCI** allows data transfer to be interrupt-driven and can give higher performance in some situations. **PCI(Timer)** allows data transfer to be controlled by a polling timer.



**USB 2.0 Card:** This interface card is required when the system interface uses the USB 2.0 protocol rather the TAXI protocol and the computer does not have native USB 2.0 support. The USB 2.0 card plugs-into the host computer's motherboard and provides the communication interface between the host computer and the ST-133. The USB 2.0 PCI card (70USB90011) by Orange Micro is recommended for desktop computers; the SIIG, Inc. USB 2.0 PC Card, Model US2246 is recommended for laptop computers. See [www.orangemicro.com](http://www.orangemicro.com) or [www.siig.com](http://www.siig.com), respectively, for more information.

## Application Software



The Princeton Instruments WinView/32 software package provides comprehensive image acquisition, display, processing, and archiving functions so you can perform complete data acquisition and analysis without having to rely upon third-party software. WinView/32 provides reliable control over all Roper Scientific detectors, regardless of array format and architecture, via an exclusive universal programming interface (PVCAM®). WinView/32 also features snap-ins and macro record functions to permit easy user customization of any function or sequence.

PVCAM is the standard software interface for cooled CCD cameras from Roper Scientific. It is a library of functions that can be used to control and acquire data from the camera when a custom application is being written. For example, in the case of Windows, PVCAM is a dynamic link library (DLL). Also, it should be understood that PVCAM is solely for camera control and image acquisition, not for image processing. PVCAM places acquired images into a buffer, where they can then be manipulated using either custom written code or by extensions to other commercially available image processing packages.

## User Manuals



**MicroMAX System User Manual:** This manual describes how to install and use the MicroMAX system components.

**WinView/32 User Manual:** This manual describes how to install and use the WinView/32 application program. A PDF version of this manual is provided on the installation CD. Additional information is available in the program's on-line help.



# Chapter 3

## Installation Overview

The list and diagrams below briefly describe the sequence of actions required to hookup your system and prepare to gather data. Refer to the indicated references for more detailed information. This list assumes that the application software is Princeton Instruments WinView/32.

Action	Reference
1. If the system components have not already been unpacked, unpack them and inspect their carton(s) and the system components for in-transit damage. Store the packing materials.	Chapter 4 System Setup, page 27
2. Verify that all system components have been received.	Chapter 4 System Setup, page 27
3. If the components show no signs of damage, verify that the appropriate voltage settings have been selected for the Controller.	Chapter 4 System Setup, page 29
4. If WinView/32 software is not already installed in the host computer, install it. In addition to installing the WinView/32 software, this operation will load all of the interface card drivers.	Chapter 4 System Setup, page 30 WinView/32 manual
5. If the appropriate interface card is not already installed in the host computer, shut down the computer and install the interface card.	Chapter 4 System Setup, page 30 or page 32
6. Depending on the application, attach a lens to the camera, mount the camera to a microscope, or mount the camera to a spectrometer.	Chapter 4 System Setup, page 34, 35, or 38
7. With the Controller and computer power turned OFF, connect the interface cable (TAXI or USB) to the Controller and the interface card in the host computer. Then tighten down the locking hardware.	Chapter 4 System Setup, page 39
8. With the Controller power turned OFF, make the camera-to-controller connections to the back of the Controller. Secure the latch(es) to lock the cable connection(s).	Chapter 4 System Setup, page 40
9. With the Controller power turned OFF, make the camera-to-controller connections to the back of the Camera. Secure the latch(es) to lock the cable connection(s).	Chapter 4 System Setup, page 40
10. With the Controller power turned OFF, connect the Controller power cable to the rear of the controller and to the power source.	
11. If using a microscope Xenon or an Hg arc lamp, turn it on before turning on the controller and host computer.	Chapter 5 Operation, page 44
12. Turn the Controller ON.	

Action	Reference
13. Turn on the computer and begin running the WinX application.	WinView/32 manual
14. Run the Camera Detection wizard or load the defaults from the controller.	Chapter 5 Operation, page 40, 48, or 53 WinView/32 or WinSpec/32 manual
15. Set the target array temperature.	Chapter 5 Operation, page 48, 53, or 58
16. When the system reaches temperature lock, begin acquiring data in focus mode.	Chapter 5 Operation, page 50 or page 54
17. Adjust the focus for the image.	Chapter 5 Operation, page 50 or page 54

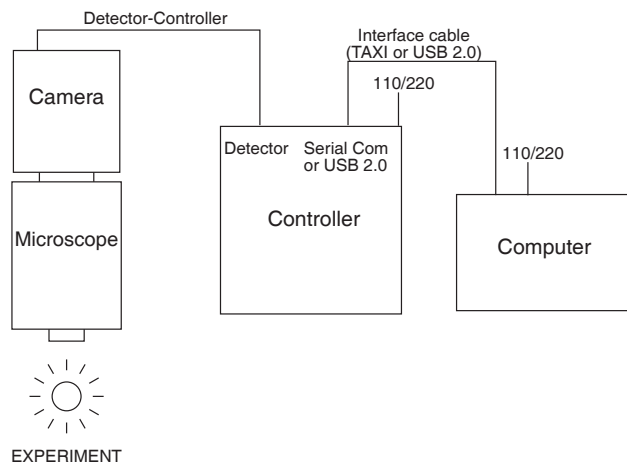


Figure 5. Standard System Diagram

## System Setup

---

### Unpacking the System

During the unpacking, check the system components for possible signs of shipping damage. If there are any, notify Princeton Instruments and file a claim with the carrier. If damage is not apparent but camera or controller specifications cannot be achieved, internal damage may have occurred in shipment. Please save the original packing materials so you can safely ship the camera system to another location or return it to Princeton Instruments for repairs if necessary.

### Checking the Equipment and Parts Inventory

Confirm that you have all of the equipment and parts required to set up the system. A complete MicroMAX system consists of a camera, a controller, a computer and other components as follows.

- **Camera to Controller cable:** DB25 to DB25, 10 ft (6050-0321). Two versions of this cable are available, one having an external shield and the other not. The shielded version offers superior noise performance and is required by regulation in some countries.
- **Computer Interface Dependent Components:**
  - **Controller-Computer Interface cable:**
    - **TAXI cable:** 25 ft DB9 to DB9 cable (6050-0148-CE) is standard. Lengths up to 165 ft (50 m) are available. Optional fiber-optic transducers can be used to extend this distance to as much as 1000 meters or
    - **USB cable:** Five (5) meter cable (6050-0494) is standard.
  - **Interface Card:**
    - **TAXI:** High Speed PCI Interface board or
    - **USB 2.0:** Native on motherboard or user-provided USB 2.0 Interface Card (Orange Micro 70USB90011 USB2.0 PCI is recommended for desktop computers and the SIIG, Inc. USB 2.0 PC Card, Model US2246 is recommended for laptop computers).
- **Vacuum Pumpdown connector (2550-0181):** This item is required if it becomes necessary to refresh the vacuum for round camera heads. *Contact the factory Technical Support Dept. for information on refreshing the vacuum. See page 164 for contact information.*
- **WinView/32 CD-ROM**
- **User Manual**

## System Requirements

### **Power**

**Detector:** The MicroMAX detector receives its power from the controller, which in turn plugs into a source of AC power.

**ST-133:** The ST-133 Controller can operate from any one of four different nominal line voltages: 100, 120, 220, or 240 V AC. Refer to the Fuse/Voltage label on the back of the ST-133 for fuse, voltage, and power consumption information.

### **Caution**

The plug on the line cord supplied with the system should be compatible with the line-voltage outlets in common use in the region to which the system is shipped. If the line cord plug is incompatible, a compatible plug should be installed, taking care to maintain the proper polarity to protect the equipment and assure user safety.

### **Host Computer**

**Note:** Computers and operating systems all undergo frequent revision. The following information is only intended to give an approximate indication of the computer requirements. Please contact the factory to determine your specific needs.

Requirements for the host computer depend on the type of interface, TAXI or USB 2.0, that will be used for communication between the ST-133 and the host computer. Those requirements are listed below according to protocol.

#### **TAXI Protocol:**

- AT-compatible computer with 200 MHz Pentium® II (or better).
- Windows® 95, Windows® 98SE, Windows® ME, Windows NT®, Windows® 2000, or Windows® XP operating system.
- High speed PCI serial card (or an unused PCI card slot). Computers purchased from Princeton Instruments are shipped with the PCI card installed if High speed PCI was ordered.
- Minimum of 32 Mbytes of RAM for CCDs up to 1.4 million pixels. Collecting multiple spectra at full frame or high speed may require 128 Mbytes or more of RAM.
- CD-ROM drive.
- Hard disk with a minimum of 80 Mbytes available. A complete installation of the program files takes about 17 Mbytes and the remainder is required for data storage, depending on the number and size of images or spectra collected. Disk level compression programs are not recommended.
- Super VGA monitor and graphics card supporting at least 256 colors with at least 1 Mbyte of memory. Memory requirement is dependent on desired display resolution.
- IEEE-488 GPIB port (required by DG535 Timing Generator, if present). May also be required by Spectrograph.
- Two-button Microsoft compatible serial mouse or Logitech three-button serial/bus mouse.

**USB 2.0 Protocol:**

- AT-compatible computer with Pentium 3 or better processor and runs at 1 GHz or better.
- Windows 2000 (with Service Pack 4), Windows XP (with Service Pack 1) or later operating system.
- Native USB 2.0 support on the mother board or USB Interface Card (Orange Micro 70USB90011 USB2.0 PCI is recommended for desktop; SIIG, Inc. USB 2.0 PC Card, Model US2246 for laptop)
- Minimum of 256 Mb of RAM.
- CD-ROM drive.
- Hard disk with a minimum of 80 Mbytes available. A complete installation of the program files takes about 17 Mbytes and the remainder is required for data storage, depending on the number and size of images or spectra collected. Disk level compression programs are not recommended.
- Super VGA monitor and graphics card supporting at least 256 colors with at least 1 Mbyte of memory. Memory requirement is dependent on desired display resolution.
- IEEE-488 GPIB port (required by DG535 Timing Generator, if present). May also be required by Spectrograph.
- Two-button Microsoft compatible serial mouse or Logitech three-button serial/bus mouse.

**Verifying Controller Voltage Setting**

The Power Module on the rear of the Controller contains the voltage selector drum, fuses and the powercord connector. The appropriate voltage setting is set at the factory and can be seen on the back of the power module.

*Each setting actually defines a range and the setting that is closest to the actual line voltage should have been selected. The fuse and power requirements are printed on the panel above the power module. The correct fuses for the country where the ST-133 is to be shipped are installed at the factory.*

**Note:** On ST-133s, the voltage ranges and fuse ratings may be printed above or below the power module (Figure 6).



Figure 6. Controller Power Input Module

**To Check the Controller's Voltage Setting:**

1. Look at the lower righthand corner on the rear of the Controller. The current voltage setting (100, 120, 220, or 240 VAC) is displayed on the Power Module.
2. If the setting is correct, continue with the installation. If it is not correct, follow the instructions on page 113 for changing the voltage setting and fuses.

## Installing the Application Software

Installation is performed via the WinView/32 installation process. If you are installing WinView or WinSpec for the first time, you should run the installation before installing the Princeton Instruments (RSPI) PCI or USB2.0 card in the host computer. On the **Select Components** dialog box (see Figure 7), click on the **AUTO PCI** button to install the interface card drivers (the Princeton Instruments (RSPI) PCI and the USB drivers) and the most commonly installed program files. Select the **Custom** button if you would like to choose among the available program files.

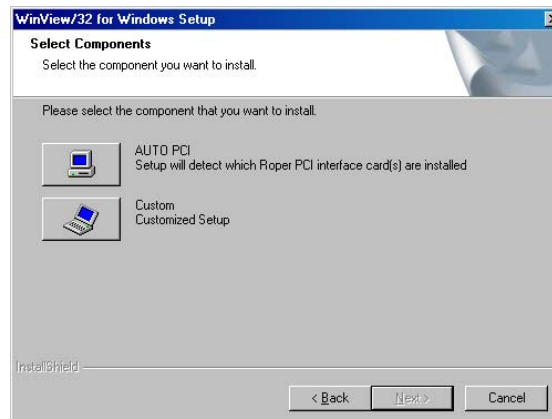


Figure 7. WinView Installation: Interface Card Driver Selection

**Note:** WinView/32 (versions 2.6.0 and higher) do not support the ISA interface.

## Setting up the Communication Interface

MicroMAX camera systems require either an installed Princeton Instruments (RSPI) PCI card or an installed USB2.0 interface card in the host computer. The type of interface card is dictated by the Interface Control Module installed in the ST-133 controller.

### Setting up a PCI Interface

**Administrator privileges are required under Windows NT®, Windows® 2000, and Windows® XP to install software and hardware.**

A Princeton Instruments (RSPI) PCI card must be installed in the host computer if the communication between computer and controller uses the TAXI protocol (i.e., the **Interface Control Module** installed in the ST-133 has a 9-pin **SERIAL COM** connector as shown in the figure at right). With TAXI protocol, the standard cable provided with an ST-133 is 7.6 meters (25 feet). Cable lengths up to 50 meters (164 feet) are available and the digitization rate may be as high as 2 MHz.

A computer purchased from Princeton Instruments will be shipped with the PCI card already installed. Otherwise, a PCI card will be shipped with the system and you will have to install it in the host computer at your location.

**Note:** The PCI card can be installed and operated in any Macintosh having a PCI bus, allowing the ST-133 to be controlled from the Macintosh via IPLab™ software and the PI Extension.



### Caution

If using WinX software, Select either **High Speed PCI** or **PCI(Timer)** as the Interface type. This selection is accessed on the **Hardware Setup|Interface** tab page. **High Speed PCI** allows data transfer to be interrupt-driven and gives the highest performance in some situations. **PCI(Timer)** allows data transfer to be controlled by a polling timer. This selection is recommended when there are multiple devices sharing the same interrupt.

### To Install a PCI Serial Buffer Card in the Host Computer:

1. Review the documentation for your computer and PCI card before continuing with this installation.
2. To avoid risk of dangerous electrical shock and damage to the computer, verify that the computer power is OFF.
3. Remove the computer cover and verify that there is an available PCI slot.
4. Install the PCI card in the slot.
5. Make sure that the card is firmly seated and secure it.
6. Replace and secure the computer cover and turn on the computer only. If an error occurs at bootup, either the PCI card was not installed properly or there is an address or interrupt conflict. Refer to Chapter 9 "Troubleshooting", page 121 for instructions.

**Note:** The PCI card has no user-changeable jumpers or switches.

### To Install the PCI Card Driver

The following information assumes that you have already installed the WinView/32 or WinSpec/32 software.

1. After you have secured the PCI card in the computer and replaced the cover, turn the computer on.
2. At bootup, Windows will try to install the new hardware. If it cannot locate the driver, you will be prompted to enter the directory path, either by keyboard entry or by using the browse function.

If you selected **AUTO PCI** during the application software installation, WinView/32 or WinSpec/32 automatically put the required INF file into the Windows/INF directory and put the PCI card driver file in the "Windows"/System32/ Drivers directory. Refer to Table 2 for the appropriate file names and locations.

Windows Version	PCI INF Filename Located in "Windows"/INF directory*	PCI Device Driver Name Located in "Windows"/System32/Drivers directory
Windows® 2000 and XP	rspi.inf (in WINNT/INF, for example)	rspipci.sys (in WINNT/System32/Drivers, for example)
Windows NT®	N/A	pi_pci.sys
Windows® 95, 98, and Windows® ME	pii.inf	pivxdpci.vxd

\* The INF directory may be hidden.

Table 2. PCI Driver Files and Locations

## Setting up a USB 2.0 Interface

**Administrator privileges are required under Windows NT®, Windows® 2000, and Windows® XP to install software and hardware.**

Your system has been configured to use the USB communication protocol if the **Interface Control Module** installed in the ST-133 has a **USB 2.0** connector as shown in the figure at right). The advantages to the USB 2.0 interface are that it uses a much higher data transfer rate than many common serial data formats (such as the TAXI protocol) and it simplifies the connection to external devices. USB supports "plug and play" -- you do not need to be heavily involved in the setup process.

### USB 2.0 Limitations

- Maximum cable length is 5 meters (16.4 feet)
- 1 MHz is currently the upper digitization rate limit for the ST-133 Controller. Large data sets and/or long acquisition times may be subject to data overrun because of host computer interrupts during data acquisition.
- USB 2.0 is not supported by the Princeton Instruments PC Interface Library (Easy DLLS).
- Some WinView and WinSpec 2.5.X features are not fully supported with USB 2.0. Refer to Appendix E, page 155, for more information.

**Note:** If you are installing the USB 2.0 interface on a laptop, you will need to perform all of the operations described in this section. In addition, if you are using the recommended USB Interface Card (SIIG, Inc. USB 2.0 PC Card, Model US2246), you must replace the OrangeUSB USB 2.0 Host Controller driver installed for that card with the appropriate Microsoft driver. Instructions for making the replacement are included in "*To Update the OrangeUSB USB 2.0 Driver*".

### To Update the OrangeUSB USB 2.0 Driver:

This procedure is highly recommended when a laptop computer will be used to communicate with the ST-133. As stated before, we recommend the SIIG, Inc. USB 2.0 PC Card, Model US2246 if USB 2.0 is not native to the laptop's motherboard. To reduce the instances of data overruns and serial violations, the OrangeUSB USB 2.0 Host Controller installed for the SIIG card, should be replaced by the appropriate Microsoft driver (Windows 2000 or Windows XP, depending on the laptop's operating system.)

**Note:** This procedure may also be performed for desktop computers that use the Orange Micro 70USB90011 USB2.0 PCI.

1. Download and install Microsoft Service Pack 4 (for Windows 2000) or Service Pack 1 (for Windows XP) if the service pack has not been installed.
2. From the Windows **Start** menu, select **Settings|Control Panel**.
3. Select **System** and then **System Properties**.
4. Select the **Hardware** tab and click on **Device Manager** button.
5. Expand **Universal Serial Bus Controllers**.
6. Right-mouse click on **OrangeUSB USB 2.0 Host Controller** and select **Properties**.



7. On the **Driver** tab, click on the **Update Driver...** button. You may have to wait a minute or so before you will be allowed to click on the button.
8. When the **Upgrade Device Driver wizard** appears, click on **Next**. Select the **Search for a suitable driver ...** radio button.
9. On the next screen select the **Specify a location** checkbox.
10. Browse and select the location. Click on **OK**.
11. In the **Driver Files Search Results** window, check the **Install one of the other drivers** check box.
12. Select the **NEC PCI to USB Enhanced Host Controller B1** driver. Click on **Next** and the installation will take place. When the **Completing the Upgrade Device Driver wizard** window appears, click on **Finish**. You will then be given the choice of restarting the computer now or later. According to the window text, the hardware associated with the driver will not work until you restart the computer.

#### To Install the Princeton Instruments USB2 Interface:

The following information assumes that:

- You have verified that the host computer meets the required specifications for USB 2.0 communication with the MicroMAX system (see page 29).
- A USB 2.0 board and its driver are installed in the host computer.
- The ST-133 has an installed USB 2.0 Interface Control module.
- You have already installed the WinX software (versions 2.5.15 and higher). Versions 2.5.15 and higher automatically install the driver and INF files required to support the USB 2.0 Interface Control module.

1. Before installing the Princeton Instruments USB2 Interface, we recommend that you defragment the host computer's hard disk. This operation reduces the time the computer spends locating files. Typically, the "defrag" utility "Disk Defragmenter" can be accessed from the Windows® Start menu and can usually be accessed from the Programs/Accessories/System Tools subdirectory.
2. After defragmenting the hard disk, turn off the computer and make the USB cable connections between the host computer and the ST-133. Then, turn the ST-133 on before turning on the host computer.
3. At bootup, Windows will detect the Princeton Instruments USB2 Interface hardware (i.e., the USB 2.0 Interface Control module). You may be prompted to enter the directory path(s) for the `apausbprop.dll` and/or the `apausb.sys` file(s), either by keyboard entry or by using the browse function.

If you selected **AUTO PCI** during the application software installation, WinX automatically put the required INF, DLL, and USB driver file in the "Windows" directories shown below. Refer to the Table 3 for the file locations.

Windows Version	USB INF Filename Located in "Windows"/INF directory*	USB Properties DLL Located in "Windows"/System32 directory	USB Device Driver Name Located in "Windows"/System32/Drivers directory
Windows® 2000 and XP	rsusb2k.inf (in WINNT/INF, for example)	apausbprop.dll (in WINNT/System32, for example)	apausb.sys (in WINNT/System32/Drivers, for example)

\* The INF directory may be hidden.

Table 3. USB Driver Files and Locations

## Mounting the Camera

### General

The MicroMAX camera can be mounted either horizontally or vertically (nose up or nose down). The camera can rest on any secure surface. For mounting flexibility, the round head camera is equipped with four standard ¼" x 20 UNC threaded 3/8" deep holes spaced at 90° intervals around the body; in some situations it may prove convenient to secure the camera with a suitable mounting bracket. An optional tripod mount is available for the rectangular head camera.

### WARNING

In the case of cameras equipped with F-mount, do not mount the camera in the *nose-up* operation where the lens mount would be required to hold the camera's weight. The F-mount is not designed to sustain the weight of the camera in this orientation and the camera could pull free. *Contact the factory for special mounting options that enable operation in this orientation.*

Should the camera be mounted in the nose-up position beneath a table, take care to protect the mounting components from lateral stresses, such as might occur should someone accidentally bump the camera with a knee while working at the table. Two possible approaches to this problem would be to install a securely mounted bracket to the camera or to install a barrier between the camera and operator so as to prevent any accidental contact.

There are no special constraints on nose-down operation. Again, however, good operating practice might make it advisable to use a securing bracket to prevent accidental contact from unduly stressing the mounting components.

If the camera is going to be mounted to a microscope, the lens mounting instructions that follow will not apply. Where this is the case, users are advised to skip the following discussion and instead review "*Mounting to a Microscope*", beginning on page 35.

### Mounting the Lens

The MicroMAX camera is supplied with the lens mount specified when the system was ordered, normally either a screw-type C-mount lens or a bayonet type F-mount lens, allowing a lens of the corresponding type to be mounted quickly and easily.

C-mount lenses simply screw clockwise into the threaded lens mount at the front of the camera. In mounting a C-mount lens, tighten it securely by hand (*no tools*).

**Note:** C-mount cameras are shipped with a dust cover lens installed (identifiable by its red rim). Although this lens is capable of providing images, its throughput is low and the image quality is not as good as can be obtained with a high quality camera lens. You should replace the dust cover lens with your own high quality laboratory lens before making measurements.

To mount an F-mount lens on the camera, locate the large indicator dot on the side of the lens. There is a corresponding dot on the front side of the camera lens mount. Line up the dots and slide the lens into the mount. Then turn the lens counterclockwise until a click is heard. The click means that the lens is now locked in place.

Removing either type lens is equally simple. In the case of a C-mount lens, simply rotate the lens counterclockwise until it is free of the mount. In the case of an F-mount lens, press the locking lever on the mount while rotating the lens clockwise until it comes free and can be pulled straight out.

Both types of lenses typically have provision for focusing and aperture adjustment, with the details varying according to the make and model of the lens. In addition, in the case of the F-mount, there is provision for adjusting the focus of the lens mount itself, if necessary, to bring the focus within range of the lens focus. See the discussion on page 51 for more detailed information.

Mounting procedures are more complex when mounting to a microscope and vary according to the make and model of the microscope as discussed in *Mounting to a Microscope*, which follows.

### ***Mounting to a Microscope***

This section discusses the setup and optimization of your digital imaging system as applied to microscopy. Since scientific grade cooled CCD imaging systems are usually employed for low light level microscopy, the major goal is to maximize the light throughput to the camera. In order to do this, the highest Numerical Aperture (NA) objectives of the desired magnification should be used. In addition, you should carefully consider the transmission efficiency of the objective for the excitation and emission wavelengths of the fluorescent probe employed. Another way to maximize the transmission of light is to choose the camera port that uses the fewest optical surfaces in the pathway, since each surface results in a small loss in light throughput. Often the trinocular mount on the upright microscope and the bottom port on the inverted microscope provide the highest light throughput. Check with the manufacturer of your microscope to determine the optimal path for your experiment type.

A rule of thumb employed in live cell fluorescence microscopy is “if you can see the fluorescence by eye, then the illumination intensity is too high”. While this may not be universally applicable, it is a reasonable goal to aim for. In doing this, the properties of the CCD in your camera should also be considered in the design of your experiments. For instance, if you have flexibility in choosing fluorescent probes, then you should take advantage of the higher Quantum Efficiency (QE) of the CCD at longer wavelengths (contact factory for current CCD specifications). Another feature to exploit is the high resolution offered by cameras with exceptionally small pixel sizes (6.7  $\mu\text{m}$  for MicroMAX:1300Y, 1300YHS, and 1300YHS-DIF or 8.3  $\mu\text{m}$  for MicroMAX:782Y and 782YHS). Given that sufficient detail is preserved, you can use 2x2 binning (or higher) to increase the light collected at each “super-pixel” by a factor of 4 (or higher). This will

allow the user to reduce exposure times, increasing temporal resolution and reducing photodamage to the living specimen.

Another method to minimize photodamage to biological preparations is to synchronize a shutter on the excitation pathway to the exposure period of the camera. This will limit exposure of the sample to the potentially damaging effects of the excitation light. Timing and synchronization are explained in Chapter 6.

The camera is connected to the microscope via a standard type mount coupled to a microscope specific adapter piece. There are two basic camera mounting designs, the C-mount and the F-mount. The C-mount employs a standard size thread to connect to the camera to the adapter while the F-mount uses a tongue and groove type mechanism to make the connection.

### **C-Mount**

For a camera equipped with a C-mount thread, use the standard C-mount adapter supplied by the microscope manufacturer to attach the camera to the microscope. The adapter can be screwed into the camera and then the assembly can be secured to the microscope using the standard setscrews on the microscope. The camera can be mounted on the trinocular output port, the side port, or the bottom port of the inverted microscope. When mounting the larger cameras perpendicular to the microscope on the side port, it is ADVISED that you provide some additional support for your camera to reduce the possibility of vibrations or excessive stress on the C-mount nose. For the bottom port of the inverted microscope, the C-mount is designed to support the full weight of the camera, however, IT IS ADVISED that you provide some additional support for the larger cameras since the camera is in a position where it could be deflected by the operator's knee or foot. This kind of lateral force could damage the alignment of the nose and result in sub-optimal imaging conditions.

Most output ports of the microscope do not require additional optical elements to collect an image, however please check with your microscope manual to determine if the chosen output port requires a relay lens. In addition, all optical surfaces should be free from dust and fingerprints, since these will appear as blurry regions or spots and hence degrade the image quality.

### **F-Mount**

For a camera with the F-mount type design, you will need two elements to mount the camera on your microscope. The first element is a Diagnostic Instruments Relay Lens. This lens is usually a 1X relay lens that performs no magnification. Alternatively, you may use a 0.6X relay lens to partially demagnify the image and to increase the field of view. There is also a 2X relay lens available for additional magnification. The second element is a microscope specific Diagnostic Instruments Bottom Clamp. Table 4 shows which bottom clamps are routinely used with each of the microscope types. They are illustrated in Figure 8. If you feel that you have received the wrong type of clamp, or if you need a clamp for a microscope other than those listed, please contact the factory.

To assemble the pieces, first pick up the camera and look for the black dot on the front surface. Match this dot with the red dot on the side of the relay lens. Then engage the two surfaces and rotate them until the F-mount is secured as evidenced by a soft clicking sound. Next place the long tube of the relay lens into the bottom clamp for your microscope, securing it to the relay lens with the three setscrews at the top of the clamp as shown in Figure 9. This whole assembly can now be placed on the microscope, using

the appropriate setscrews on the microscope to secure the bottom clamp to the output port of the microscope.

Microscope Type	Diagnostic Instruments Bottom Clamp Type
Leica DMR	L-clamp
Leitz All types	NLW-clamp
Nikon Optiphot, Diaphot, Eclipse	O-clamp
Olympus BH-2, B-MAX, IMT-2	V-clamp
Zeiss Axioscope, Axioplan, Axioplan 2, Axiophot	Z-clamp
Zeiss Axiovert	ZN-clamp

Table 4. Bottom Clamps for Different Microscopes

The F-mount is appropriate for any trinocular output port or any side port. When mounting the camera perpendicular to the microscope on the side port, it is ADVISED that you provide some additional support for your camera to reduce the possibility of vibrations or excessive stress on the F-mount nose. Princeton Instruments DOES NOT advise using an F-mount to secure the camera to a bottom port of an inverted microscope due to possible failure of the locking mechanism of the F-mount. *Contact the factory for information about a special adapter for operating in this configuration.*

Focusing information for a camera and a camera lens mount is included in the *First Light* section of Chapter 5 (page 51). Although it is unlikely that you would ever need to use the lens mount adjustment in operation with a microscope (the relay-lens focus adjustment would normally suffice), it could be used if necessary. The procedure for using the adjustment is provided in Chapter 5 and illustrated in Figure 18.

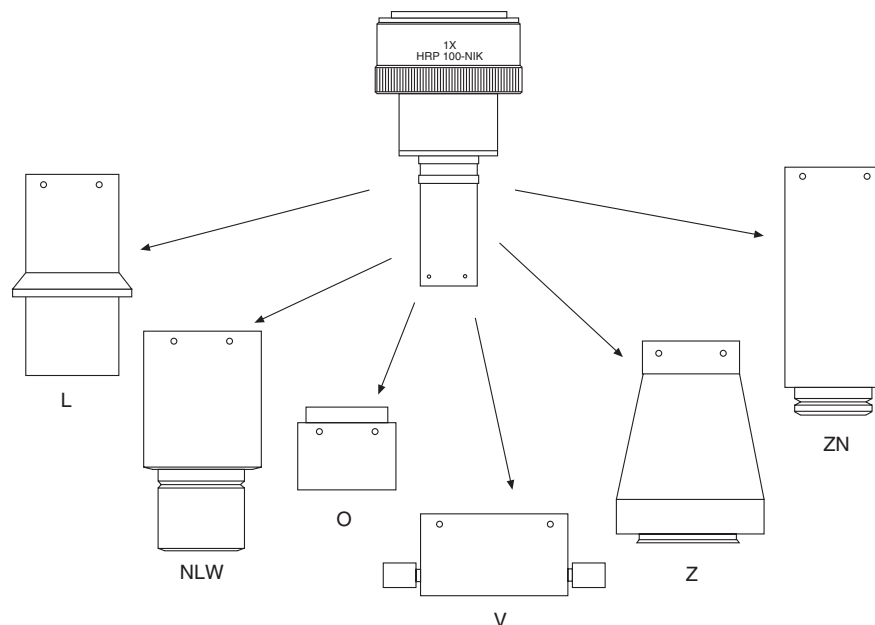


Figure 8. Bottom Clamps

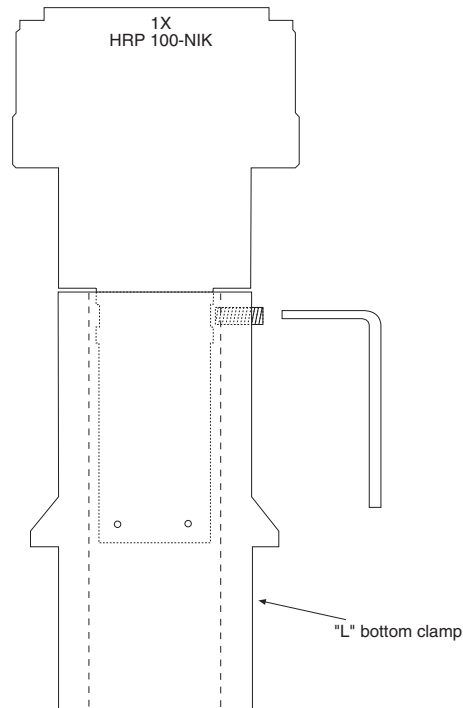


Figure 9. Bottom Clamp secured to Relay Lens

### Caution

Microscope optics have very high transmission efficiencies in the infrared region of the spectrum. Since typical microscope light sources are very good emitters in the infrared, some microscopes are equipped with IR blockers or heat filters to prevent heating of optical elements or the sample. For those microscopes that do not have the better IR blockers, the throughput of infrared light to the CCD can be fairly high. In addition, while the eye is unable to see the light, CCD cameras are particularly efficient in detecting infrared wavelengths. As a result, the contaminating infrared light will cause a degradation of the image quality due to a high background signal that will be invisible to the eye. Therefore, it is recommended that you add an IR blocker in the light path if you encounter this problem with the microscope.

### Mounting to a Spectrometer

The camera must be properly mounted to the spectrometer to achieve maximum spectral resolution across the array. Depending on the spectrometer and camera type, special adapters may be required to mount the camera to the spectrometer. The appropriate adapters should have been included with your system if the spectrometer type was indicated when the system was ordered.



Because of the many possible camera and spectrometer combinations, all of the adapter mounting instructions are located in Appendix D. Refer to the table at the beginning of that appendix to find the instruction set appropriate to your system.

The distance to the focal plane from the front of the mechanical assembly depends on the specific configuration. Refer to the outline drawings in Appendix B for the focal plane distance information.

## Selecting the Shutter Setting

### Caution



The Shutter Setting push switch on the rear of the Controller sets the shutter hold voltage. Each shutter type, internal or external, requires a different setting. Consult the table below for the proper setting for your shutter. *The Shutter Setting is correctly set at the factory for the camera's internal shutter if one is present.*

Shutter Setting*	Shutter Type
1	25 mm Princeton Instruments supplied External shutter (typically an Entrance slit shutter)
2	25 mm Princeton Instruments Internal shutter
4	35 mm Princeton Instruments Internal shutter (requires 70 V Shutter option)
5	40 mm Princeton Instruments Internal shutter (supplied with LN camera having a 1340 × 1300 or larger CCD)
* Shutter settings 0, 3, and 6-9 are unused and are reserved for future use.	

Table 5. ST-133 Shutter Setting Selection

### To Select the Shutter Setting:

1. Verify that the Controller power is OFF.
2. Refer to Table 5 when looking at the rear of the Controller.
3. If the setting is not correct, press the "-" or the "+" button until the correct setting is displayed in the window.

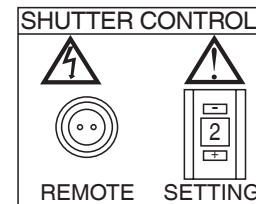


Figure 10. Shutter Setting for 25 mm Internal Shutter

## Connecting the Interface (Controller-Computer) Cable

### TAXI<sup>®</sup> Cable (6050-0148-CE)

### Caution

Turn the Controller power OFF (OFF = 0, ON = |) and the Computer power OFF before connecting or disconnecting the Controller-Computer (TAXI) cable.

### To Connect the TAXI Cable:

1. Verify that the Controller power is OFF.
2. Verify that the Computer power is OFF.
3. Connect one end of the TAXI cable to the 9-pin port on the Interface card in the host computer.
4. Tighten down the screws to lock the connector in place.
5. Connect the other end of the cable to the "Serial Com" port on the rear of the Controller.
6. Tighten down the screws to lock the connector in place.

**USB 2.0 Cable (6050-0494)****Caution**

Turn the Controller power OFF (OFF = 0, ON = 1) and the Computer power OFF before connecting or disconnecting the Controller-Computer (TAXI) cable.

**To Connect the USB 2.0 Cable:**

1. Verify that the Controller power is OFF.
2. Verify that the Computer power is OFF.
3. Connect one end of the USB cable to the USB port on the host computer.
4. Connect the other end of the cable to the USB 2.0 port on the rear of the Controller.

**Connecting the Detector-Controller Cable****Caution**

Turn the Controller power OFF (OFF = 0, ON = 1) before connecting or disconnecting the Detector-Controller cable.

**To Connect the Detector-Controller Cable:**

1. Verify that the Controller power is OFF.
2. Connect male end of the Detector-Controller cable to the “Detector” port on the back of the Controller.
3. Move the slide latch over to lock the connector in place.
4. Connect the female end of the cable to the Camera.
5. Move the slide latch over to lock the connector in place.

**Entering the Default Camera System Parameters into WinX (WinView/32, WinSpec/32, or WinXTest/32)**

Software changes implemented in WinX version 2.15.9.6 affected the way in which default parameters were entered for camera systems. Therefore, two sets of instructions are included. Follow the instructions appropriate to the software version that you installed. Note that these instructions assume that you have performed the computer interface installation.

**WinX Versions 2.5.19.6 and later**

1. Make sure the ST-133 is connected to the host computer and that it is turned on.
2. Run the WinX application. The **Camera Detection wizard** will automatically run if this is the first time you have installed a Princeton Instruments WinX application (WinView/32, WinSpec/32, or WinXTest/32) and a supported camera. Otherwise, if you installing a new camera type, click on the **Launch Camera Detection Wizard...** button on the **Controller/CCD** tab page to start the wizard.
3. On the **Welcome** dialog (Figure 11), leave the checkbox unselected and click on **Next**.



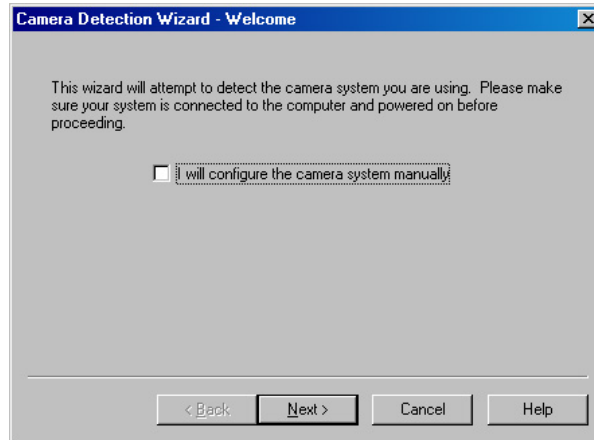


Figure 11. Camera Detection Wizard - Welcome dialog box

4. Follow the instructions on the dialog boxes to perform the initial hardware setup: this wizard enters default parameters on the Hardware Setup dialog box tab pages and gives you an opportunity to acquire a test image to confirm the system is working.

#### WinX Versions before 2.5.19.6: Run RSConfig.exe

1. Make sure the ST-133 is connected to the host computer and that it is turned on.
2. Run RSConfig from the **Windows|Start|Programs|PI Acton** menu or from the directory where you installed WinView, WinSpec, or WinXTest.
3. When the RSConfig dialog box (Figure 12) appears, you can change the camera name to one that is more specific or you can keep the default name "Camera1". When you have finished, click on the **Done** button.

**Note:** If the first camera in the list is not the "Princeton Style (USB2)", you will need to edit the PVCAM.INI file created by RSConfig. See the instructions in "*Demo, High Speed PCI, and PCI(Timer) are Choices on Hardware Wizard:Interface dialog (Versions 2.5.19.0 and earlier)*", page 118.

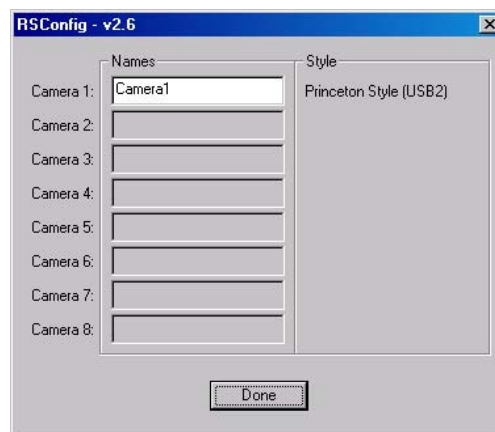


Figure 12. RSConfig dialog box

4. Open the WinX application and, from **Setup|Hardware...**, run the Hardware Setup wizard.

5. When the PVCAM dialog box (Figure 13) is displayed, click in the **Yes** radio button, click on **Next** and continue through the wizard. After the wizard is finished, the **Controller/Camera** tab card will be displayed with the **Use PVCAM** checkbox selected. You should now be able to set up experiments and acquire data.



Figure 13. Hardware Setup wizard: PVCAM dialog box

6. Run the software in focus mode to verify communication between the ST-133 and the host computer.

## Operation

### Introduction

Once the MicroMAX camera has been installed, camera operation is basically straightforward. In most applications you simply establish optimum performance using the **Focus** mode (WinView/32 or WinSpec/32), set the target detector temperature, wait until the temperature has stabilized at the set temperature (see the "*Setting the Temperature*" section in this chapter), and then do actual data acquisition in the **Acquire** mode. Additional considerations regarding experiment setup and equipment configuration are addressed in the software manual.

During data acquisition, the CCD array is exposed to a source and charge accumulates in the pixels. After the defined exposure time, the accumulated signal is readout of the array, digitized, and then transferred to the host computer. Upon data transfer, the data is data is displayed and/or stored via the application software. This sequence is illustrated by the block diagram shown in Figure 14.

Whether or not the data is displayed and/or stored depends on the data collection operation (**Focus** or **Acquire**) that has been selected in the application software. In WinView and WinSpec, these operations use the Experiment Setup parameters to establish the exposure time (the period when signal of interest is allowed to accumulate on the CCD). As might be inferred from the names, **Focus** is more likely to be used in setting up the system (see the "*First Light*" discussions) and **Acquire** is then used for the collection and storage of data. Briefly:

- In **Focus** mode, the number of frames and accumulations settings are ignored. A single frame is acquired and displayed, another frame is acquired and overwrites the currently displayed data, and so on until Stop is selected. Only the last frame acquired before Stop is selected can be stored. When Stop is selected, the File Save function can be used to save the currently displayed data. This mode is particularly convenient for familiarization and setting up. For ease in focusing, the screen refresh rate should be as rapid as possible, achieved by operating with axes and cross-sections off, and with Zoom 1:1 selected.

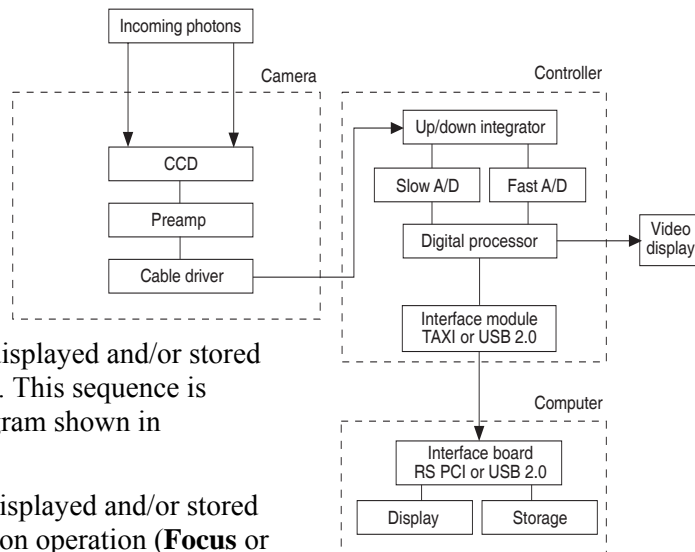


Figure 14. Block Diagram of Light Path in System

- In **Acquire** mode, every frame of data collected can be automatically stored (the completed dataset may include multiple frames with one or more accumulations). This mode would ordinarily be selected during actual data collection. One limitation of Acquire mode operation is that if data acquisition continues at too fast a rate for it to be stored, data overflow will eventually occur. This could only happen in Fast Mode operation.

The remainder of this chapter is organized to first talk about the system on/off sequences. Then "*First Light*" procedures for imaging and spectroscopy applications follow: these procedures provide step-by-step instruction on how to initially verify system operation. The last three sections discuss factors that affect exposure, readout, and digitization of the incoming signal. By understanding these factors and making adjustments to software settings you can maximize signal-to-noise ratio. For information about synchronizing data acquisition with external devices, please refer to **Chapter 6, Advanced Topics**.

## EMF and Xenon or Hg Arc Lamps

### WARNING

**Before You Start**, if your imaging system includes a microscope Xenon or Hg arc lamp, it is **CRITICAL** to turn off all electronics adjacent to the arc lamp, especially your digital camera system and your computer hardware (monitors included) before turning on the lamp power.

Powering up a microscope Xenon or Hg arc lamp causes a large EMF spike to be produced that can cause damage to electronics that are running in the vicinity of the lamp. We advise that you place a clear warning sign on the power button of your arc lamp reminding all workers to follow this procedure. While Princeton Instruments has taken great care to isolate its sensitive circuitry from EMF sources, we cannot guarantee that this protection will be sufficient for all EMF bursts. *Therefore, in order to fully guarantee the performance of your system, you must follow this startup sequence.*

## USB 2.0 System On/Off Sequences

If your system is configured for the USB 2.0 communication interface, you must follow the system on/off sequences as stated below. These sequences ensure that communication is established and maintained between the camera and the host computer:

1. The MicroMAX camera must be powered ON before WinView/32 or WinSpec/32 is opened to ensure communication between the camera and the computer. If WinView or WinSpec is opened and the MicroMAX is not powered ON, many of the functions will be disabled and you will only be able to retrieve and examine previously acquired and stored data. You must close WinView or WinSpec, power the camera ON, and reopen WinView or WinSpec before you can set up experiments and acquire new data.
2. WinView/32 or WinSpec/32 must be closed before powering the camera OFF. If you power the camera OFF before closing WinView or WinSpec, the communication link with the camera will be broken. You can operate the program in a playback mode (i.e., examine previously acquired data) but will be unable to acquire new data until you have closed WinView or WinSpec, powered the camera ON, and then re-opened WinView or WinSpec.

## Imaging Field of View

When used for two-dimensional imaging applications, the MicroMAX camera closely imitates a standard 35 mm camera. Since the CCD is not the same size as the film plane of a 35 mm camera, the field of view at a given distance is somewhat different. The imaging field of view is indicated in Figure 15.

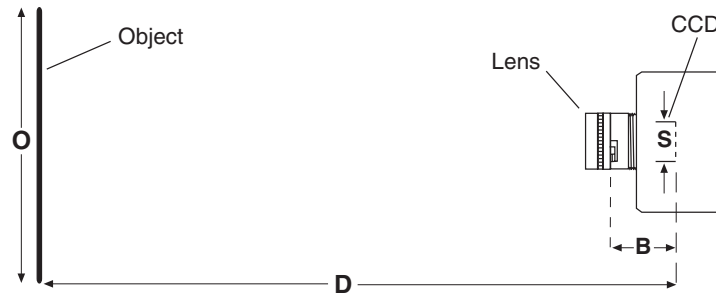


Figure 15. Imaging Field of View

D = distance between the object and the CCD

B = 46.5 mm for F-mount; 17.5 mm for C-mount

F = focal length of lens

S = CCD horizontal or vertical dimension

O = horizontal or vertical field of view covered at a distance D

M = magnification

The field of view is:

$$O = \frac{S}{M}, \text{ where } M = \frac{FD}{(D - B)^2}$$

## RS-170 or CCIR Video

One of the limitations of scientific non-video rate cameras has been their difficulty in focusing and locating fields of view. The MicroMAX solves this problem by its combination of high speed operation with the implementation of true video output. The high-speed image update on the video monitor (via the **VIDEO** BNC connector on the rear of the Controller) makes focusing and field location as simple as with a video camera. This video output also makes possible archiving an experiment on a VCR, producing hardcopy data on a video printer, or even implementing autofocusing stages.

**Note:** If more than one device is connected to the video output, the *last* device is the one that should to be terminated in 75Ω. For example, to connect the video output to a VCR as well as to a monitor, the cable from the controller video output should be connected to the video input connector of the VCR, and another 75 Ω cable should extend from the video output connector of the VCR to the 75Ω input of the monitor. Do *not* use a BNC TEE to connect the controller video output to multiple devices.

The video output is selected by the Application software. In the case of a WinX application, this is done by selecting **Video** from the Acquisition menu. There is also provision in the WinX applications for intensity-scaling the video output, that is, selecting the specific gray levels to be displayed on the 8-bit video output.

In addition to intensity-scaling, you also need to be concerned about how the array pixels map to the video display. The 756×486 resolution of a typical video monitor corresponds well with the array size of a MicroMAX:782Y, MicroMAX:782YHS or MicroMAX:512BFT

In the case of a MicroMAX:1300YHS or a MicroMAX:1300YHS-DIF, the number of array pixels far exceeds the number of monitor pixels and mapping must be considered more carefully. The WinX software's **Video Focus** mode (accessed from the Acquisition Menu) provides a Pan function that allows any one of nine different subsets of the array image to be selected for viewing on the video monitor with only a single-frame delay. An associated zoom function provides 1x, 2x, or 4x viewing. At 1x, the entire array image is displayed, but at reduced resolution (pixels are discarded and fine detail could be lost). At 2x, the mapping is 1:1 and the image portion selected by the Pan function is provided. The regions overlap, allowing the entire array image to be examined with no loss of resolution. At 4x, array pixels are enlarged so that a smaller part of the array image is displayed as selected by the Pan function.

Once proper focus has been achieved, the user can transfer to normal data-acquisition operation. The video output remains operative, but with a more limited and fixed view because of the resolution limitation of RS-170 video. Although this view is sufficient to cover the image from a small CCD array in its entirety, it will not cover all the pixels from a large array. Instead, a subset from the center of the image will be shown. For example, in the case of the MicroMAX:1300YHS, the monitor would display the 756×486 area from the center of the CCD image as shown in Figure 16.

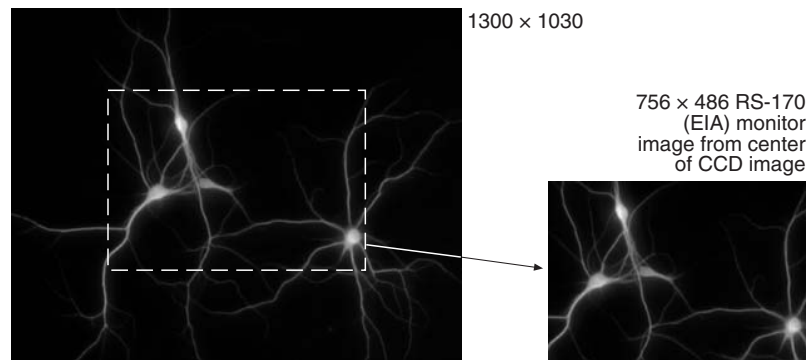


Figure 16. Monitor Display of CCD Image Center Area

**Note:** With a 16-bit A/D converter (*not* a standard option), the composite video output is disabled during data acquisition.

In post-acquisition processing the WinView/32 ROI (Region of Interest) capability allows any portion of an acquired image to be displayed on the computer monitor.

Again, note that the described video output behavior applies specifically for the WinView/32 software only. Other application software may provide different video output capabilities.

## First Light (Imaging)

The following paragraphs provide step-by-step instructions for placing your MicroMAX system in operation the first time. The intent of this simple procedure is to help you gain basic familiarity with the operation of your system and to show that it is functioning properly. Once basic familiarity has been established, then operation with other operating configurations, ones with more complex timing modes, can be performed. An underlying assumption for the procedure is that the camera is to be operated with a microscope on which it has been properly installed (see "*Mounting to a Microscope*", page 35, for mounting instructions) and that a video monitor is available. Although it is possible to dispense with the monitor and simply view the images on the computer monitor's screen, operations such as focusing may be easier with a video monitor because the displayed data is updated much more quickly and will be as close to current as possible.

Once the MicroMAX camera has been installed and its optics adjusted, operation of the camera is basically straightforward. In most applications you simply establish optimum performance using the **Focus** mode (WinView/32), set the target camera temperature, wait until the temperature has stabilized, and then do actual data acquisition in the **Acquire** mode. Additional considerations regarding experiment setup and equipment configuration are addressed in the software manual.

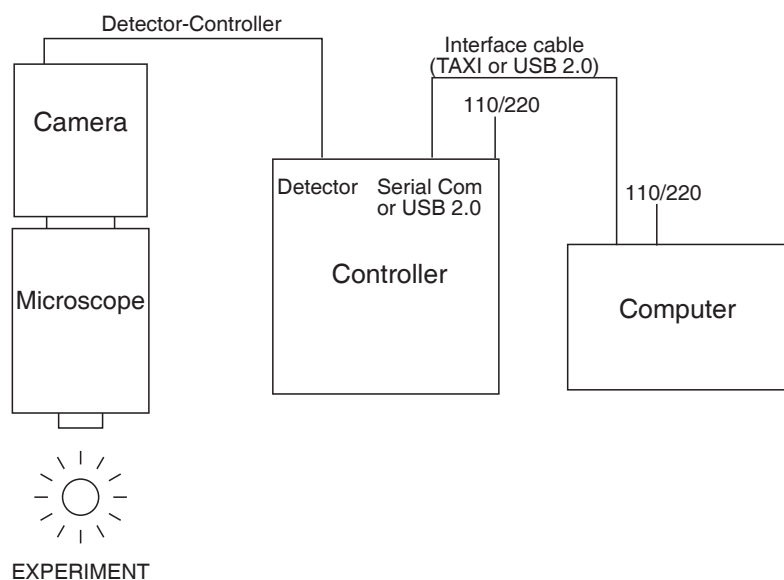


Figure 17. Standard System Connection Diagram

### Assumptions

The following procedure assumes that

1. You have already set up your system in accordance with the instructions in Chapter 4.
2. You have read the previous sections of this chapter.
3. You are familiar with the application software.
4. The system is air-cooled.
5. The system is being operated in imaging mode.

### **Cabling**

If the system cables haven't as yet been installed, make sure that the ST-133 and the host computer are turned off and then make the cable connections as follows: *See Figure 17.*

1. Connect the 25-pin camera-to-controller cable from the **DETECTOR** connector on the Analog/Control module panel to the mating connector at the back of the camera. Secure the cable at both ends with the slide-lock latch.
2. Connect one end of the 9-pin serial cable to the **SERIAL COM** connector on the Interface Control module panel. Connect the other end to the computer interface as described in Chapter 4. Be sure to secure both ends of the cable with the cable-connector screws.
3. Connect a 75  $\Omega$  BNC cable from the **VIDEO** connector on the back of the camera to the video monitor's 75  $\Omega$  input. This cable must be terminated in 75  $\Omega$ . Many monitors have a switch for selecting the 75  $\Omega$  termination.
4. Connect the line cord from the Power Input assembly on the back of the controller to a suitable source of AC power.

### **Getting Started**

1. If you haven't already done so, install a lens on the camera. The initial lens settings aren't important but it may prove convenient to set the focus to approximately the anticipated distance and to begin with a small aperture setting. In the case of operation with a microscope, review "*Mounting to a Microscope*", beginning on page 35, and mount the camera on the microscope.
2. Turn on the system power. *The Power On/Off switch is located on the front of the controller.*

**Note:** The camera overload alarm may sound briefly and then stop. This is normal and is not a cause for concern. However, if the alarm sounds continuously, even with no light entering the camera, something is wrong. Turn off the power and contact the factory for guidance.

3. Turn on the power at the computer and start the application software (WinView/32, for example).

### **Setting the Parameters**

**Note:** The following procedure is based on WinView/32: you will need to modify it if you are using a different application. Basic familiarity with the WinView/32 software is assumed. If this is not the case, you may want to review the software manual or have it available while performing this procedure.

Set the software parameters as follows:

#### **Controller|Camera tab page (Setup|Hardware)**

- **Use PVCAM:** 100 kHz or 1 MHz systems only. For software versions 2.5.19.0 and lower, verify that the box is checked if you are using the USB 2.0 interface.

**Note:** This check box is not present on software versions 2.5.19.6 and higher.

- **Controller type:** ST-133



- **Controller version:** 4 or higher
- **Camera type:** Select array installed in your camera.
  - MicroMAX:512FT = EEV 512×512 FT CCD57
  - MicroMAX:512BFT = EEV 512×512 FT CCD57
  - MicroMAX:782Y = PID 582×782
  - MicroMAX:782YHS = PID 582×782
  - MicroMAX:1024 = EEV 1024×1024 CCD47\_10
  - MicroMAX:1024B = EEV 1024×1024 CCD47\_10
  - MicroMAX:1024FT = EEV 1024×1024 CCD47\_20
  - MicroMAX:1024BFT = EEV 1024×1024 CCD47\_20
  - MicroMAX:1300Y = PID 1030×1300
  - MicroMAX:1300YHS = PID 1030×1300
  - MicroMAX:1300YHS-DIF = PID 1030×1300
- **Shutter type:** None or Remote.
- **Readout mode:** Full frame, Interline or DIF depending on array type.

**Detector Temperature (Setup|Detector Temperature...):** -15°C for round camera heads or -45°C for rectangular camera heads. The temperature should drop steadily, reaching the set temperature in about ten minutes (typical). At that point the green **Temp Lock** LED on the rear of the ST-133 will light and there will be a **locked** indication at the computer monitor, indicating that temperature lock has been established. Note that some overshoot may occur. This could cause temperature lock to be briefly lost and then quickly re-established. If you are reading the actual temperature reported by the application software, there may be a small difference between the set and reported temperature when lock is established. This is normal and does not indicate a system malfunction. Once lock is established, the temperature will be stable to within  $\pm 0.05^\circ\text{C}$ .

**Note:** If you are using the USB 2.0 interface, the Detector Temperature dialog box will not display temperature information while you are acquiring data.

**Interface tab page (Setup|Hardware):** High Speed PCI (or PCI(Timer))

**Note:** This tab page is not available if you are using the USB 2.0 interface.

**Cleans and Skips tab page (Setup|Hardware):** Default

**Experiment Setup Main tab page (Acquisition|Experiment Setup...):**

- **Exposure Time:** 100 ms
- **Accumulations & Number of Images:** 1

**Experiment Setup ROI tab page (Acquisition|Experiment Setup...):**

Use this function to define the region of interest (ROI).

- **Imaging Mode:** Selected if you are using WinSpec/32.
- Clicking on **Full** loads the full size of the chip into the edit boxes.
- Clicking on **Store** will store the Pattern so it can be reused at another time.

**Experiment Setup Timing tab page (Acquisition|Experiment Setup...):**

- **Timing Mode:** Free Run
- **Shutter Control:** Normal
- **Safe Mode vs. Fast Mode:** Safe

**Acquisition Menu:** Select **Video** if you have connected an RS-170 (or a CCIR) video monitor to the system and plan to use it for focusing or other operations. There will be a check next to “**Video**” to indicate that it is selected

**Focusing**

1. If you are using WinView/32 (or WinSpec/32 in **Imaging Mode**) and the computer monitor for focusing, select **Focus** from the **Acquisition** menu. The shutter, if present, will open and successive images will be sent to the monitor as quickly as they are acquired. Because the time to acquire and read out an image varies directly with the size of the CCD, the observed frame rate will vary greatly depending on the CCD installed. With a short exposure time, it is not uncommon for the frame readout time to be significantly longer than the exposure time.

**Note:** If you are using WinView/32 (or WinSpec/32 in **Imaging Mode**) and a video monitor for focusing, select the **Video Focus...** mode from the **Acquisition** menu. Then select a short exposure time (0.1 s), an Intensity Scaling setting of 4096, and 2x Zoom. With an MicroMAX:1300Y camera (1030×1300 pixels), set the Pan selector as required for the 756×486 subset of the array image you wish to use for focusing purposes. Select the center pan position if the camera is a MicroMAX:782Y (782×582 pixels) or a MicroMAX:512BFT (512×512 pixels). Begin data collection by selecting RUN on the **Interactive Camera Operation** dialog box. The shutter, if present, will open and successive images will be sent to the monitor as quickly as they are acquired, giving as close to continuous video as possible.

2. Adjust the lens aperture, intensity scaling, and focus for the best image as viewed on the monitor. Some imaging tips follow.
  - a. Begin with the lens blocked off. Set the lens at the smallest possible aperture (largest f-stop number).
  - b. Place a suitable target in front of the lens. An object with text or graphics works best. If working with a microscope, use any easily viewed specimen. It is generally not advisable to attempt fluorescence imaging during this *Getting Started* phase of operation.
  - c. Adjust the intensity scaling and lens aperture until a suitable setting is found. The initial intensity scaling setting of 4096 assures that the image won't be missed altogether but could be dim. Once you've determined that the image is present, select a lower setting for better contrast. Check the brightest regions of the image to determine if the A/D converter is at full-scale. *The A/D converter is at full-scale when any part of the image is as bright as it can be.* Adjust the aperture to where it is just slightly smaller (higher f stop) than the setting where maximum brightness on any part of the image occurs.

- d. Set the focus adjustment of the lens for maximum sharpness in the viewed image.
- e. If the camera is mounted to a microscope, first be sure to have a clear, focused image through the eyepiece. Then divert the light to the camera and lower the illuminating light intensity.
  - o To adjust the parfocality on an F-mount system, begin collecting images with a short exposure time and focus the light on the camera by rotating the ring on the Diagnostic Instruments relay lens without touching the main focusing knobs on the microscope.
  - o In the case of a camera with an F-mount lens adapter, focusing is normally done by means a focus adjustment on the relay-lens adapter.
  - o On a C-mount system, the camera should be very close to parfocal, although some C-mounts will be adjustable using setscrews on the microscope to secure the adapter slightly higher or lower in position.
- f. In the case of a camera with an F-mount, the adapter itself also has a focus adjustment. If necessary, this focus can be changed to bring the image into range of the lens focus adjustment. The lens-mount adjustment is secured by four setscrews as shown in Figure 18. To change the focus setting, proceed as follows.
  - o Loosen the setscrews with a 0.050" Allen wrench. Do not remove the screws; loosen them just enough to allow the lens mount to be adjusted.
  - o Rotate the lens mount as required to bring the focus within range of the lens focus adjustment.
  - o Tighten the setscrews loosened above.

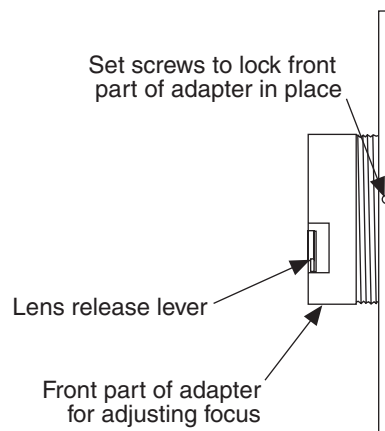


Figure 18. F-mount Focus Adjustment

### Acquiring Data

Once optimum focus and aperture have been achieved, you can switch from **Focus** (or **Video Focus**) mode to standard data-acquisition operation as determined via the **Experiment Setup** dialog box. (In WinView/32, you might want to begin with Free Run (Safe Mode) operation while gaining basic system familiarity.)

This completes *First Light* for imaging applications. If the MicroMAX system functioned as described, you can be reasonably sure it has arrived in good working order. In

addition, you should have a basic understanding of how the system hardware is used. Other topics, which could be quite important in certain situations, are discussed in the following chapters. See the appropriate application software manual for information on using the software to control the system.

## First Light (Spectroscopy)

The following paragraphs provide step-by-step instructions for placing your spectroscopy system in operation the first time. The intent of this simple procedure is to help you gain basic familiarity with the operation of your system and to show that it is functioning properly. Once basic familiarity has been established, then operation with other operating configurations, ones with more complex timing modes, can be performed. An underlying assumption for the procedure is that the detector is to be operated with a spectrograph such as the Acton SpectraPro™ 2300i (SP2300i) on which it has been properly installed. A suitable light source, such as a mercury pen-ray lamp, should be mounted in front of the entrance slit of the spectrograph. Any light source with line output can be used. *Standard fluorescent overhead lamps have good calibration lines as well.* If there are no “line” sources available, it is possible to use a broadband source such as tungsten for the alignment. If this is the case, use a wavelength setting of 0.0 nm for alignment purposes.

### Assumptions

The following procedure assumes that

1. You have already set up your system in accordance with the instructions in Chapter 4.
2. You have read the previous sections of this chapter.
3. You are familiar with the application software.
4. The system is air-cooled.
5. The system is being operated in spectroscopy mode.
6. An entrance slit shutter is not being controlled by the ST-133.

### Cabling

If the system cables haven't as yet been installed, make sure that the ST-133 and the host computer are turned off and then follow the cabling instructions on page 48. Then, return to this page.

### Getting Started

1. Set the spectrometer entrance slit width to minimum (10  $\mu\text{m}$  if possible).
2. Turn on the controller power.

**Note:** A detector overload alarm may sound briefly and then stop. This is normal and is not a cause for concern. However, if the alarm sounds continuously, even with no light entering the detector, something is wrong. Turn off the power and contact the factory for guidance.

3. Turn on the computer power.
4. Start the application software.

### Setting the Parameters

**Note:** The following procedure is based on WinSpec/32: you will need to modify it if you are using a different application. Basic familiarity with the WinSpec/32 software is assumed. If this is not the case, you may want to review the software manual or have it available while performing this procedure.

Set the software parameters as follows:

**Environment dialog (Setup|Environment):** Verify that the DMA Buffer size is 8 Mbytes (min.). Large arrays may require a larger buffer size. If you change the buffer size, you will have to *reboot the computer* for this memory allocation to be activated, and then restart WinSpec.

**Controller|Camera tab page (Setup|Hardware):** Controller and Detector parameters should be set automatically to the proper values for your system. However, you can click on the **Load Defaults From Controller** button on this tab page to load the default settings.

- **Use PVCAM:** 100 kHz or 1 MHz systems only. For software versions 2.5.19.0 and lower, verify that the box is checked if you are using the USB 2.0 interface.

**Note:** This check box is not present on software versions 2.5.19.6 and higher.

- **Controller type:** ST-133
- **Controller version:** 3 or higher
- **Camera type:** Select the array installed in your detector.
  - MicroMAX:512FT = EEV 512×512 FT CCD57
  - MicroMAX:512BFT = EEV 512×512 FT CCD57
  - MicroMAX:782Y = PID 582×782
  - MicroMAX:782YHS = PID 582×782
  - MicroMAX:1024 = EEV 1024×1024 CCD47\_10
  - MicroMAX:1024B = EEV 1024×1024 CCD47\_10
  - MicroMAX:1024FT = EEV 1024×1024 CCD47\_20
  - MicroMAX:1024BFT = EEV 1024×1024 CCD47\_20
  - MicroMAX:1300Y = PID 1030×1300
  - MicroMAX:1300YHS = PID 1030×1300
  - MicroMAX:1300YHS-DIF = PID 1030×1300
- **Shutter type:** None or Remote.
- **Readout mode:** Full frame.

**Detector Temperature (Setup|Detector Temperature...):** -15°C for round camera heads or -45°C for rectangular camera heads. When the array temperature reaches the set temperature, the green **Temp Lock** LED on the rear of the ST-133 will light and there will be a **locked** indication at the computer monitor. Note that some overshoot may occur. This could cause temperature lock to be briefly lost and then quickly re-established. If you are reading the actual temperature reported by the application software, there may be a small difference between the set and reported temperature when lock is established. This is normal and does not indicate a system

malfunction. Once lock is established, the temperature will be stable to within  $\pm 0.05^{\circ}\text{C}$ .

**Note:** If you are using the USB 2.0 interface, the Detector Temperature dialog box will not display temperature information while you are acquiring data.

**Interface tab page (Setup|Hardware):** High Speed PCI (or PCI(Timer))

**Note:** This tab page is not available if you are using the USB 2.0 interface.

**Cleans and Skips tab page (Setup|Hardware):** Default

**Experiment Setup Main tab page (Acquisition|Experiment Setup...):**

- **Exposure Time:** 100 ms
- **Accumulations & Number of Images:** 1

**Experiment Setup ROI tab page (Acquisition|Experiment Setup...):**

Use this function to define the region of interest (ROI).

- **Spectroscopy Mode:** Selected
- Clicking on **Full** loads the full size of the chip into the edit boxes.

**Experiment Setup Timing tab page (Acquisition|Experiment Setup...):**

- **Timing Mode:** Free Run
- **Shutter Control:** Normal
- **Safe Mode vs. Fast Mode:** Safe

### ***Focusing***

The mounting hardware provides two degrees of freedom, focus and rotation. In this context, focus means to physically move the detector back and forth through the focal plane of the spectrograph. The approach taken is to slowly move the detector in and out of focus and adjust for optimum while watching a live display on the monitor, followed by rotating the detector and again adjusting for optimum. The following procedure, which describes the focusing operation with an Acton 2300I spectrograph, can be easily adapted to other spectrographs.

1. Mount a light source such as a mercury pen-ray type in front of the entrance slit of the spectrograph. Any light source with line output can be used. *Standard fluorescent overhead lamps have good calibration lines as well.* If there are no “line” sources available, it is possible to use a broadband source such as tungsten for the alignment. If this is the case, use a wavelength setting of 0.0 nm for alignment purposes.
2. With the spectrograph properly connected to the controller, turn the power on, wait for the spectrograph to initialize. Then set it to 435.8 nm if using a mercury lamp or to 0.0 nm if using a broadband source.

**Hint:** Overhead fluorescent lights produce a mercury spectrum. Use a white card tilted at 45 degrees in front of the entrance slit to reflect overhead light into the spectrograph. Select 435.833 as the spectral line.

3. Set the slit to 25  $\mu\text{m}$ . *If necessary, adjust the Exposure Time to maintain optimum (near full-scale) signal intensity.*

4. Slowly move the detector in and out of focus. You should see the spectral line go from broad to narrow and back to broad. Leave the detector set for the narrowest achievable line. You may want to use the **Focus Helper** function (**Process|Focus Helper...**) to determine the narrowest line width: it can automatically locate peaks and generate a report on peak characteristics during live data acquisition (see the WinSpec/32 on-line help for more information).

Note that the way focusing is accomplished depends on the spectrograph, as follows:

- **Long focal-length spectrographs such as the Acton 2300i:** The mounting adapter includes a tube that slides inside another tube to move the detector in or out as required to achieve optimum focus.
  - **Short focal-length spectrographs:** There is generally a focusing mechanism on the spectrograph itself which, when adjusted, will move the optics as required to achieve proper focus.
  - **No focusing adjustment:** If there is no focusing adjustment, either provided by the spectrograph or by the mounting hardware, then the only recourse will be to adjust the spectrograph's focusing mirror.
5. Next adjust the rotation. You can do this by rotating the detector while watching a live display of the line. The line will go from broad to narrow and back to broad. Leave the detector rotation set for the narrowest achievable line.

Alternatively, take an image, display the horizontal and vertical cursor bars, and compare the vertical bar to the line shape on the screen. Rotate the detector until the line shape on the screen is parallel with the vertical bar.

**Note:** When aligning other accessories, such as fibers, lenses, optical fiber adapters, first align the spectrograph to the slit. Then align the accessory without disturbing the detector position. The procedure is identical to that used to focus the spectrograph (i.e., do the focus and alignment operations while watching a live image).

### **Acquiring Data**

Once optimum focus and aperture have been achieved, you can switch from **Focus** (or **Video Focus**) mode to standard data-acquisition operation as determined via the **Experiment Setup** dialog box. (In WinSpec/32, you might want to begin with Free Run (Safe Mode) operation while gaining basic system familiarity.)

This completes *First Light* for spectroscopy applications. If the MicroMAX system functioned as described, you can be reasonably sure it has arrived in good working order. In addition, you should have a basic understanding of how the system hardware is used. Other topics, which could be quite important in certain situations, are discussed in the following chapters. See the appropriate application software manual for information on using the software to control the system.

## **Exposure and Signal**

### **Introduction**

The following topics address factors that can affect the signal acquired on the CCD array. These factors include array architecture, exposure time, CCD temperature, dark charge, and saturation.

### CCD Array Architecture

Charge coupled devices can be roughly thought of as a two-dimensional grid of individual photodiodes (called pixels), each connected to its own charge storage “well.” Each pixel senses the intensity of light falling on its collection area, and stores a proportional amount of charge in its associated “well”. Once charge accumulates for the specified exposure time, the charge in the image pixels are moved to a different location. Depending on the CCD array type, the pixels are read out to a serial register or they are shifted under a masked area (or into storage cells) and then read out to a serial register.

CCD arrays perform three essential functions: photons are transduced to electrons, integrated and stored, and finally read out. CCDs are very compact and rugged. Unintensified, uncoated CCDs can withstand direct exposure to relatively high light levels, magnetic fields and RF radiation. They are easily cooled and can be precisely temperature controlled to within a few tens of millidegrees.

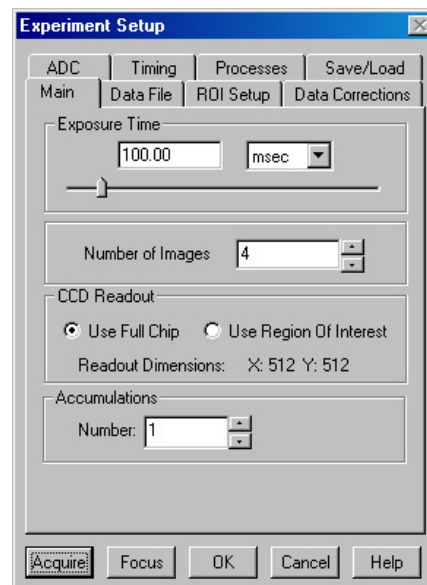
Because CCD arrays, like film and other media, are always sensitive to light, light must not be allowed to fall on the array during readout. Unintensified full-frame CCD cameras like the MicroMAX use a mechanical shutter to prevent light from reaching the CCD during readout. The software allows you to set the length of time the camera is allowed to integrate the incoming light. This is called the exposure time. During each scan, the shutter is enabled for the duration of the exposure period, allowing the pixels to register light.

### Exposure Time

Exposure time (set on the **Experiment Setup|Main** tab page) is the time between start and stop acquisition commands sent by the application software to the camera. In combination with triggers, these commands control when continuous cleaning of the CCD stops and when the accumulated signal will be read out. The continuous cleaning prevents buildup of dark current and unwanted signal before the start of the exposure time. At the end of the exposure time, the CCD is read out and cleaning starts again.

### Exposure with a Mechanical Shutter

For some CCD arrays, the MicroMAX uses a mechanical shutter to control exposure of the CCD. The diagram in Figure 19 shows how the exposure period is measured. The NOT SCAN signal at the **SCAN** BNC on the ST-133 Analog/Control panel can be used to monitor the exposure and readout cycle ( $t_R$ ). This signal is also shown in Figure 19. The value of  $t_c$  is shutter type dependent, and will be configured automatically for MicroMAX systems shipped with an internal shutter.





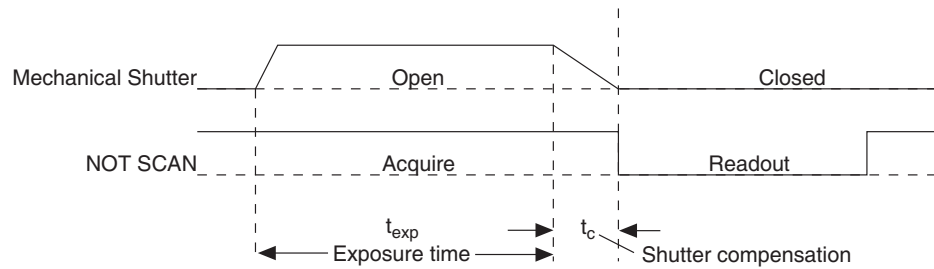


Figure 19. CCD Exposure with Shutter Compensation

Note that NOT SCAN is low during readout, high during exposure, and high during shutter compensation time.

Since most shutters behave like an iris, the opening and closing of the shutter will cause the center of the CCD to be exposed slightly longer than the edges. It is important to realize this physical limitation, particularly when using short exposures.

### Exposure with an Interline Array

Interline transfer CCDs contain alternate columns of imaging and storage cells that work in pairs. Light impinging on the imaging cells cause a charge buildup. As previously explained, the operating mode is always overlapped unless the exposure time is shorter than the readout time, in which case non-overlapped operation is automatically selected.

**Note:** The storage cells of an interline array are quite light-insensitive (the ratio of the light sensitivity of the storage cells, which are masked, to the light sensitivity of the imaging cells is  $\sim 4000:1$ ). However, even with a rejection ratio of  $\sim 4000:1$ , there may be situations where this may not be sufficient to prevent light leakage from significantly affecting the data. That this is so becomes apparent when the on/off time factors are considered. In an experiment with a very short exposure compared to the readout rate, the ratio of the readout time to the exposure time may easily be of the same order as the rejection ratio of the interline array storage cells. Where this is the case, the signal buildup in the storage cells during the readout time may equal the signal transferred from the imaging cells to the storage cells at the end of the exposure time. The effect of this signal will be to cause data smearing. The only solutions to this problem at this time are to increase the exposure time to where the effect is insignificant, use a shutter, or to use a gated light source.

### Continuous Exposure (no shuttering)

Unlike video rate CCD cameras, slow scan scientific cameras require a shutter to prevent “smearing” of features during readout or transfer to a masked area or storage cells. Smearing occurs during readout because charge is moved horizontally or vertically across the surface of the CCD while charge continues to accumulate on the array. As the result, the image will be blurred along one direction only.

The fraction of total signal due to smearing is the ratio of the amount of time spent shifting divided by the exposure time between frames. Faster shifting and/or longer exposure times will minimize this effect. Note that while 1% smear is insignificant in an 8-bit camera (256 gray levels), in a 12-bit camera (over 4,000 gray levels) 1% smearing is over 40 counts, enough to obscure faint features in a high dynamic range image.

### **Full-Frame**

For full-frame CCDs, the MicroMAX camera is usually equipped with an integral shutter. If a full-frame MicroMAX is being operated without a shutter, smearing can be avoided by ensuring that no light falls on the CCD during readout. If the light source can be controlled electronically via the NOT SCAN or SHUTTER signal at the **SCAN** BNC, the CCD can be read out in darkness.

### **Frame Transfer**

For frame transfer CCDs, image smearing may occur, depending on the exact nature of the experiment. Smearing occurs only if the CCD is illuminated during shifting. In the case of lens-coupled intensified cameras (ICCDs), this effect can be eliminated by using a fast phosphor and gating the intensifier at the same frame rate as the CCD.

### **Interline**

For interline CCDs, image smearing may occur due to a small amount of light leaking through to the storage cells during the readout time. In the case of lens-coupled intensified cameras (ICCDs), this effect can be eliminated by using a fast phosphor and gating the intensifier at the same frame rate as the CCD.

### **Cooling the CCD**

Most MicroMAX cameras must be cooled during operation. A Peltier-effect thermoelectric cooler, driven by closed-loop proportional-control circuitry, cools the CCD. A thermal sensing diode attached to the cooling block of the camera monitors its temperature. Heat generated at the exhaust plate of the cooler is conducted to the enclosure of the camera. Fins on the round head camera shell radiate the heat outward to the surrounding atmosphere. The fan inside the rectangular head camera draws air through the vents in the camera shell, blows it through the internal fins, and exhausts it back into the atmosphere through the vents.

**Note:** Temperature regulation does not reach its ultimate stability for at least 30 minutes after temperature lock is established.

**Cautions** The MicroMAX camera requires the ST-133 Controller that has been shipped with it. Do not use a controller for a TE-cooled system with an LN-cooled camera. Do not use a controller for an LN-cooled system with a TE-cooled camera.

### **CCD Temperature Control**

As stated before, lowering the temperature of the CCD will generally enhance the quality of the acquired signal. When WinView or WinSpec is the controlling software, temperature control is done via the **Detector Temperature** dialog box (see Figure 20) accessed from the **Setup** menu. Once the target array temperature has been set, the software controls the circuits in the camera so the array temperature is reduced to the set value. On reaching that temperature, the control loop locks to that temperature for stable and reproducible performance.

When temperature lock has been reached (temperature within 0.25°C of set value) the Detector Temperature dialog box reports that the current temperature is **Locked**. This

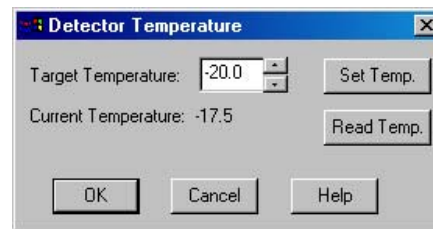


Figure 20. WinView/WinSpec Detector Temperature dialog box

on-screen indication allows easy verification of temperature lock. In addition, the TEMP LOCK indicator on the back of the controller lights GREEN to indicate that lock has been achieved (for more information, refer to the description of the ST-133 rear panel features, page 20).

The deepest operating temperature for a system depends on the CCD array size, the CCD packaging, the ambient temperature, and the type of cooling. The time required to achieve lock can vary over a considerable range, depending on such factors as the camera type, CCD array type, ambient temperature, etc. Typically, the larger the array or the warmer the ambient temperature, the longer the time to reach lock. Once lock occurs, it is okay to begin focusing. However, you should wait an additional twenty minutes before taking quantitative data so that the system has time to achieve optimum thermal stability.

MicroMAX CCDs typically have the following temperature ranges:

- Better than  $-15^{\circ}\text{C}$  with passive cooling and under vacuum
- Better than  $-30^{\circ}\text{C}$  with the optional forced air accessory and under vacuum

**Note:** If you are using the USB 2.0 interface, the Detector Temperature dialog box will not display temperature information while you are acquiring data.

### ***ADC Offset (Bias)***

With the camera completely blocked, the CCD will collect a dark charge pattern, dependent on the exposure time and camera temperature. The longer the exposure time and the warmer the camera, the larger and less uniform this background will appear. This background can be dealt with in a couple of ways: background subtraction, in which a background image is acquired and then subtracted from an illuminated image, or by offsetting the baseline so that much of the background is ignored during analog-to-digital conversion (ADC).

The baseline offset is a voltage that is added to the signal to bring the A/D output to a non-zero value, typically 50-100 counts. This offset value ensures that all the true variation in the signal can really be seen and not lost below the A/D "0" value. Since the offset is added to the signal, these counts only minimally reduce the range of the signal from 65535 (16-bit ADC) to a value in the range of 50-100 counts lower.

### **Notes:**

1. Do not be concerned about either the DC level of this background or its shape unless it is very high (i.e., 400 counts). What you see is not noise. It is a fully subtractable readout pattern. Each CCD has its own dark charge pattern, unique to that particular device. Every device has been thoroughly tested to ensure its compliance with Princeton Instruments' demanding specifications.
2. The baseline can be adjusted by using the F and S Zero pots located on the rear panel of the controller. If these pots are not present, the baseline may be software-adjustable.
3. Do not adjust the offset values to zero or some low-level data will be missed.

**Caution**

If you observe a sudden change in the baseline signal you may have excessive humidity in the vacuum enclosure of the camera. Turn off the controller and have the camera repumped before resuming normal operation. *Contact the factory Technical Support Dept. for information on how to refresh the vacuum. See page 164 for contact information.*

**Dark Charge**

Dark charge (or dark current) is the thermally induced buildup of charge in the CCD over time. The statistical noise associated with this charge is known as dark noise. Dark charge values vary widely from one CCD array to another and are exponentially temperature dependent. At the typical operating temperature of a round head camera, for example, dark charge is reduced by a factor of  $\sim 2$  for every  $6^\circ$  reduction in temperature.

With the light into the camera completely blocked, the CCD will collect a dark charge pattern, dependent on the exposure time and camera temperature. The longer the exposure time and the warmer the camera, the larger and less uniform this background will appear. Thus, to minimize dark-charge effects, you should operate with the lowest CCD temperature possible.

**Note:** Do not be concerned about either the DC level of this background or its shape unless it is very high, i.e.,  $> 1000$  counts. What you see is not noise. It is a fully subtractable readout pattern. Each CCD has its own dark charge pattern, unique to that particular device. Simply acquire and save a dark charge “background image” under conditions identical to those used to acquire the “actual” image. Subtracting the background image from the actual image will significantly reduce dark-charge effects.

**Caution**

If you observe a sudden change in the baseline signal, you may have excessive humidity in the camera's vacuum enclosure. Immediately turn off the system and contact Princeton Instruments Customer Support for instructions. *See page 164 for contact information.*

**Saturation**

When signal levels in some part of the image are very high, charge generated in one pixel may exceed the “well capacity” of the pixel, spilling over into adjacent pixels in a process called “blooming.” In this case a more frequent readout is advisable, with signal averaging to enhance S/N (Signal-to-Noise ratio) accomplished through the software.

For signal levels low enough to be readout-noise limited, longer exposure times, and therefore longer signal accumulation in the CCD, will improve the S/N ratio approximately linearly with the length of exposure time. There is, however, a maximum time limit for on-chip averaging, determined by either the saturation of the CCD by the signal or the loss of dynamic range due to the buildup of dark charge in the pixels.

**Readout****Introduction**

After the exposure time has elapsed, the charge accumulated in the array pixels needs to be read out of the array, converted from electrons to digital format, and transmitted to the application software where it can be displayed and/or stored. Readout begins by moving charge from the CCD image area to the shift register or to a masked area (or storage cells) and then toward the shift register. The charge in the shift register pixels, which typically have twice the capacity of the image pixels, is then shifted into the output node and then

to the output amplifier where the electrons are grouped as electrons/count. This result leaves the CCD and goes to the preamplifier where gain is applied.

WinView and WinSpec allow you to specify the type of readout, binning, the output amplifier, and the gain (the number of electrons required to generate an ADU).

**Note:** The type of readout (full frame, frame transfer, or interline) depends on the CCD array installed in the camera.

The upper left drawing in Figure 21 represents a CCD after exposure but before the beginning of readout. The capital letters represent different amounts of charge, including both signal and dark charge. This section explains readout at full resolution, where every pixel is digitized separately.

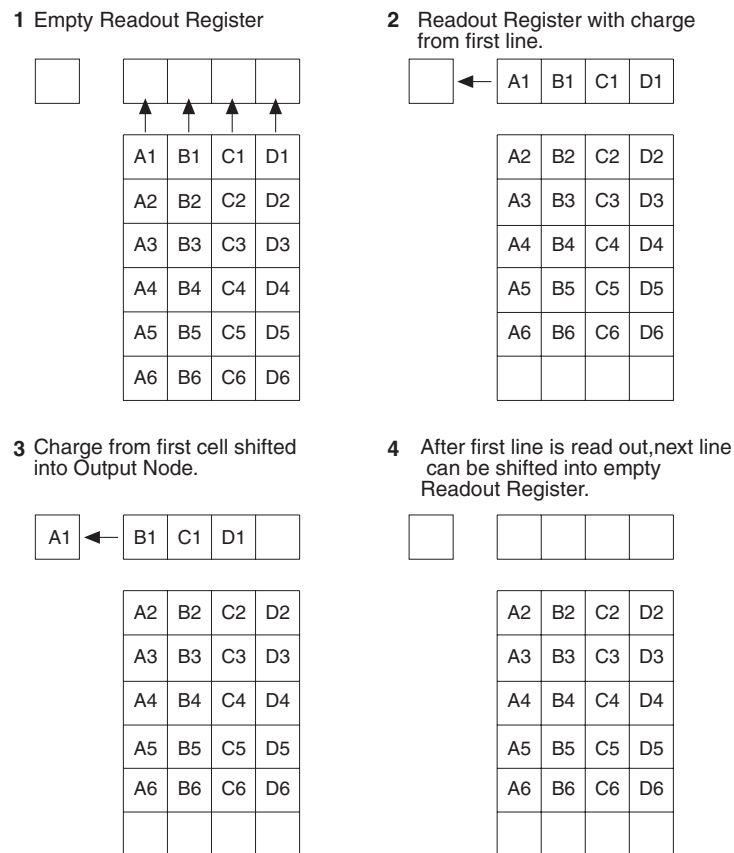


Figure 21. Full Frame at Full Resolution

Readout of the CCD begins with the simultaneous shifting of all pixels one row toward the "shift register", in this case the row at top. The shift register is a single line of pixels along one edge of the CCD, not sensitive to light and used for readout only. Typically the shift register pixels hold twice as much charge as the pixels in the imaging area of the CCD.

After the first row is moved into the shift register, the charge now in the shift register is shifted toward the output node, located at one end of the shift register. As each value is "emptied" into this node it is digitized. Only after all pixels in the first row are digitized is the second row moved into the shift register. The order of shifting in our example is therefore A1, B1, C1, D1, A2, B2, C2, D2, A3....

After charge is shifted out of each pixel the remaining charge is zero, meaning that the array is immediately ready for the next exposure.

Below are the equations that determine the rate at which the CCD is read out. Tables of values for CCDs supported at the time of the printing of this manual also appear below.

The time needed to take a full frame at full resolution is:

$$t_R + t_{exp} + t_c \quad (1)$$

where

$t_R$  is the CCD readout time,

$t_{exp}$  is the exposure time, and

$t_c$  is the shutter compensation time.

The readout time is approximately given by:

$$t_R = [N_x \cdot N_y \cdot (t_{sr} + t_v)] + (N_x \cdot t_i) \quad (2)$$

where

$N_x$  is the smaller dimension of the CCD

$N_y$  is the larger dimension of the CCD

$t_{sr}$  is the time needed to shift one pixel out of the shift register

$t_v$  is the time needed to digitize a pixel

$t_i$  is the time needed to shift one line into the shift register

( $t_s$ , the time needed to discard a pixel, appears below and in later equations)

The readout time for a 1024x1024 full-frame CCD array is provided in Table 6 below.

CCD Array	1 MHz Readout Time
MicroMAX:1024B EEV CCD47-10 1024x1024	1.1 sec. for full frame

Table 6. Approximate Readout Time for the Full-Frame CCD Array

A subsection of the CCD can be read out at full resolution, sometimes dramatically increasing the readout rate while retaining the highest resolution in the region of interest (ROI). To approximate the readout rate of an ROI, in Equation 2 substitute the x and y dimensions of the ROI in place of the dimensions of the full CCD. Some overhead time, however, is required to read out and discard the unwanted pixels.

### Frame Transfer

The MicroMAX fully supports frame transfer readout. Operation in this mode is very similar to the operation of video rate cameras. Half of the CCD is exposed continuously, raising the exposure duty cycle to nearly 100%. The other half of the CCD is masked to prevent exposure, and it is here that the image is “stored” until it can be read out. Figure 22 shows the readout of a masked version of our sample 4 × 6 CCD. The shading represents the masked area (masking is on the array).

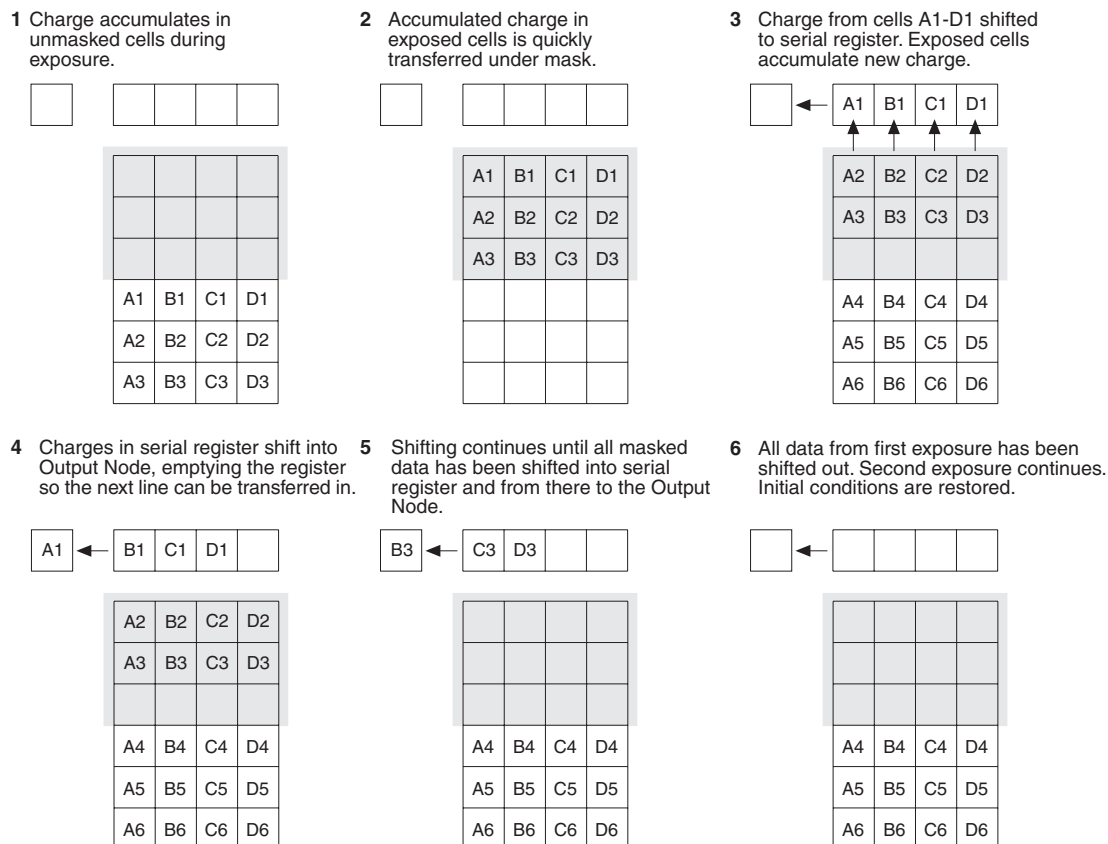


Figure 22. Frame Transfer Readout

Only the exposed region collects charge. At the end of the exposure, the charge is quickly shifted into the masked region. Since the shifting is accomplished in a short time, i.e., a few milliseconds, the incident light causes only minimal “smearing” of the signal. While the exposed region continues collecting data, the masked region is read out and digitized. The percentage of smearing can be determined by dividing the time needed to shift all rows from the imaging area by the exposure time. See the equation below.

$$\frac{N_x t_i}{t_{\text{exp}}} \quad (3)$$

CCD Array	1 MHz Readout Time
MicroMAX:512BFT EEV CCD57-10 512 x 512	0.35 sec. for full frame

Table 7. Approximate Readout Time for the Frame-Transfer CCD Array

### ***Interline***

In this section, a simple  $6 \times 3$  pixel interline CCD is used to demonstrate how charge is shifted and digitized. As described below, two different types of readout, overlapped and non-overlapped can occur. In overlapped operation, each exposure begins while the readout of the previous one is still in progress. In non-overlapped operation (selected automatically if the exposure time is shorter than the readout time) each readout goes to completion before the next exposure begins.

### ***Overlapped Operation Exposure and Readout***

Figure 23 illustrates exposure and readout when operating in the overlapped mode. Figure 23 contains four parts, each depicting a later stage in the exposure-readout cycle. Eight columns of cells are shown. Columns 1, 3, and 5 contain imaging cells while columns 2, 4, and 6 contain storage cells. The readout register is shown above the array.

Part 1 of the figure shows the array early in the exposure. The imaging cells contain charge proportional to the amount of light integrated on each of them. The storage cells are empty because no charge has been transferred to them. The arrows between adjacent imaging and storage cells indicate the direction the charge will be shifted when the transfer occurs.

Part 2 of Figure 23 shows the situation early in the readout. The charge in the imaging cells has been transferred to the adjacent storage cells and up-shifting to the readout register has started. Note that a new exposure begins immediately.

Part 3 of Figure 23 shows the transfer to the output node. The lowermost cell in each column is shown empty. Each row of charges is moved in turn into the readout register, and from there to the output node and off of the array for further processing. The process continues until all charges have been completely transferred out of the array. The imaging cells continue accumulating charge throughout the readout process. Integrating in this way while the readout takes place achieves the maximum possible time efficiency.

Part 4 of Figure 23 illustrates the situation at the end of the readout. The storage cells and readout register are empty, but the ongoing accumulation of charge in the imaging cells continues until the end of the programmed exposure.



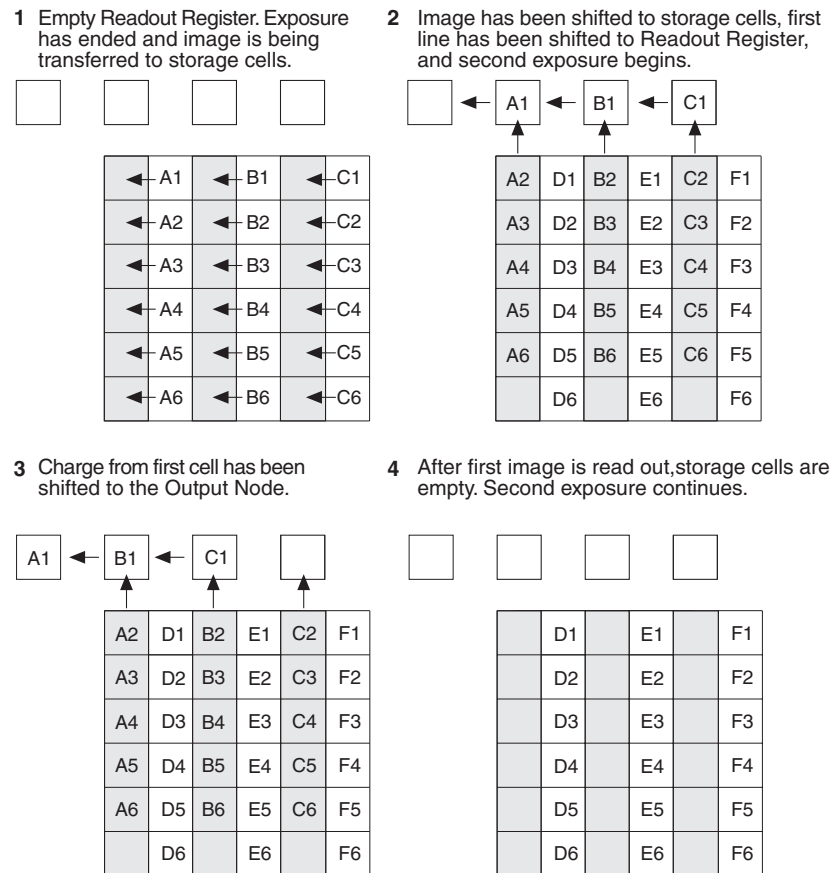


Figure 23. Overlapped Mode Exposure and Readout

### **Non-Overlapped Operation Exposure and Readout**

Figure 24 illustrates exposure and readout when operating in the non-overlapped mode. Non-overlapped operation occurs automatically any time the exposure time is shorter than the readout time. Figure 24 contains four parts, each depicting a later stage in the exposure-readout cycle.

Part 1 of the figure shows the array early in the exposure. The imaging cells contain charge proportional to the amount of light integrated on each of them. The storage cells are empty because no charge has been transferred to them. The arrows between adjacent imaging and storage cells indicate the direction the charge will be shifted when the transfer occurs.

Part 2 of Figure 24 shows the situation early in the readout cycle. The charge in the imaging cells has been transferred to the adjacent storage cells and up-shifting to the readout register has started. Note that a second exposure doesn't begin while the readout is in progress.

Part 3 of Figure 24 shows the transfer to the output node. The lowermost cell in each column is shown empty. Each row of charges is moved in turn into the readout register, and from there to the output node and off of the array for further processing. The process continues until all charges have been completely transferred out of the array. The imaging cells are electronically switched off and do not accumulate any charge as the readout takes place. Because this scheme is less time efficient than that used in the overlapped mode, the frame rate may be lower in non-overlapped operation than it is in overlapped operation with the some exposure time settings.

Part 4 of Figure 24 illustrates the situation at the end of the readout. Both the imaging and storage cells are empty. In Free Run operation, the imaging cells will be switched back on immediately, allowing charge accumulation to begin. In Ext Sync operation with no PreOpen, they are not switched back on until after the External Sync pulse is detected.

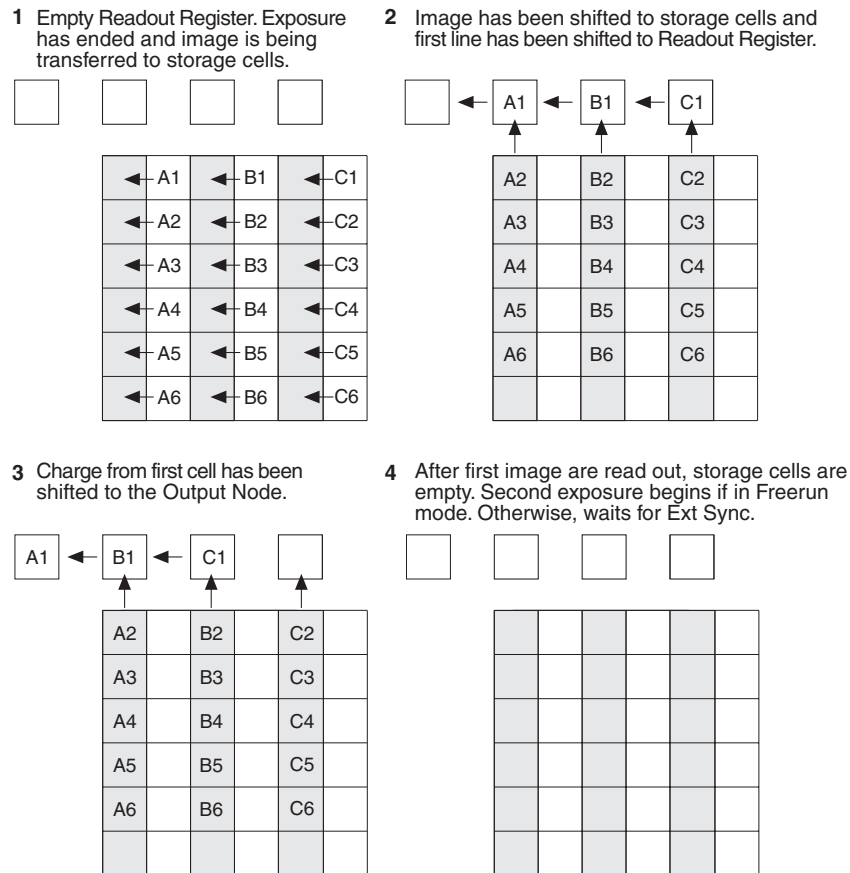


Figure 24. Non-Overlapped Mode Exposure and Readout

A subsection of the CCD can be read out at full resolution, sometimes increasing the readout rate while retaining the highest resolution in the region of interest (ROI).

### **Readout Rate for Interline**

Below are the equations that determine the rate at which the CCD is read out. Tables of values for CCDs supported at the time of the printing of this manual also appear below.

Assuming the shutter selection is **None**, the time needed to take a full frame at full resolution in non-overlapped timing mode is:

$$t_R + t_{exp} \quad (1)$$

where

$t_R$  is the CCD readout time,  
 $t_{exp}$  is the exposure time.

The readout time is approximately given by:

$$t_R = [N_x \cdot N_y \cdot (t_{sr} + t_v)] + (N_x \cdot t_i) \quad (2)$$

where

$N_x$  is the smaller dimension of the CCD

$N_y$  is the larger dimension of the CCD.

$t_{sr}$  is the time needed to shift one pixel out of the shift register

$t_v$  is the time needed to digitize a pixel

$t_i$  is the time needed to shift one line into the shift register

CCD Array	1 MHz Readout
MicroMAX:782Y Sony ICX075 782 x 582	0.5 sec. for full frame
MicroMAX:782YHS Sony ICX075 782 x 582	N/A
MicroMAX:1300Y Sony ICX061 1300x1030	1.43 sec. for full frame
MicroMAX:1300YHS Sony ICX061 1300x1030	N/A

Table 8. Approximate Readout Time for the Interline CCD Arrays

The readout rate in frames per second for the PI 1300 × 1030 interline array running at 1 MHz is shown in Table 9.

Binning	Region of Interest Size			
	1300 × 1030	400 × 400	200 × 200	100 × 100
1 × 1	0.7	2.6	5.4	9
2 × 2	1.9	5.4	9	14
3 × 3	3.2	7.5	12	17
4 × 4	4.3	9	14	19

Table 9. Readout Rates for PI 1300 × 1030 Array at 1 MHz

A subsection of the CCD can be read out at full resolution, sometimes increasing the readout rate while retaining the highest resolution in the region of interest (ROI).

### **Binning**

Binning is the process of adding the data from adjacent pixels together to form a single pixel (sometimes called a super pixel), and it can be accomplished in either hardware or software. Rectangular groups of pixels of any size may be binned together, subject to some hardware and software limitations.

### ***On-Chip Binning***

Binning is the process of adding the data from adjacent pixels together to form a single pixel (sometimes called a super-pixel), and it can be accomplished in either hardware or software. Rectangular groups of pixels of any size may be binned together, subject to some hardware and software limitations.

Hardware binning is performed *before* the signal is read out by the preamplifier. For signal levels that are readout noise limited this method improves S/N ratio linearly with the number of pixels grouped together. For signals large enough to render the camera photon shot noise limited, the S/N ratio improvement is roughly proportional to the square-root of the number of pixels binned.

Figure 25 shows an example of  $2 \times 2$  binning for a full frame CCD array. Each pixel of the image displayed by the software represents 4 pixels of the array. Rectangular bins of any size are possible.

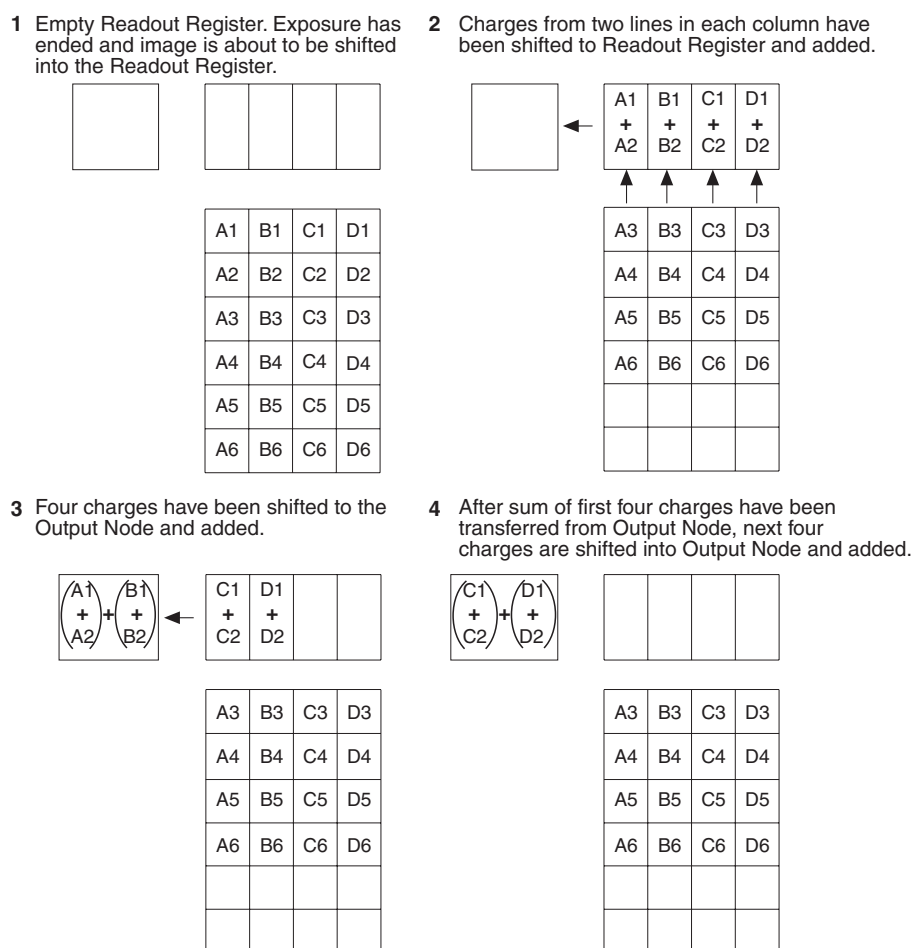


Figure 25.  $2 \times 2$  Binning for Full Frame CCD

Binning also reduces readout time and the burden on computer memory, but at the expense of resolution. Since shift register pixels typically hold only twice as much charge as image pixels, the binning of large sections may result in saturation and “blooming”, or spilling of charge back into the image area.

The readout rate for  $n \times n$  binning is approximated using a more general version of the full resolution equation. The modified equation is:

$$t_R = \left[ N_x \cdot N_y \cdot \left( \frac{t_{sr}}{n} + \frac{t_v}{n^2} \right) \right] + (N_x \cdot t_i) \quad (3)$$

### ***On-Chip Binning for Interline***

Binning is the process of adding the data from adjacent cells together, and it can be accomplished in either hardware or software. Rectangular groups of cells of any size may be binned together, subject to some hardware and software limitations.

Hardware binning is performed *before* the signal is read out by the preamplifier. For signal levels that are readout noise limited this method improves S/N ratio linearly with the number of cells grouped together. For signals large enough to render the camera photon shot noise limited, the S/N ratio improvement is roughly proportional to the square-root of the number of pixels binned.

Figure 26 shows an example of  $2 \times 2$  binning. Each cell of the image displayed by the software represents 4 cells of the CCD array. Rectangular bins of any size are possible.

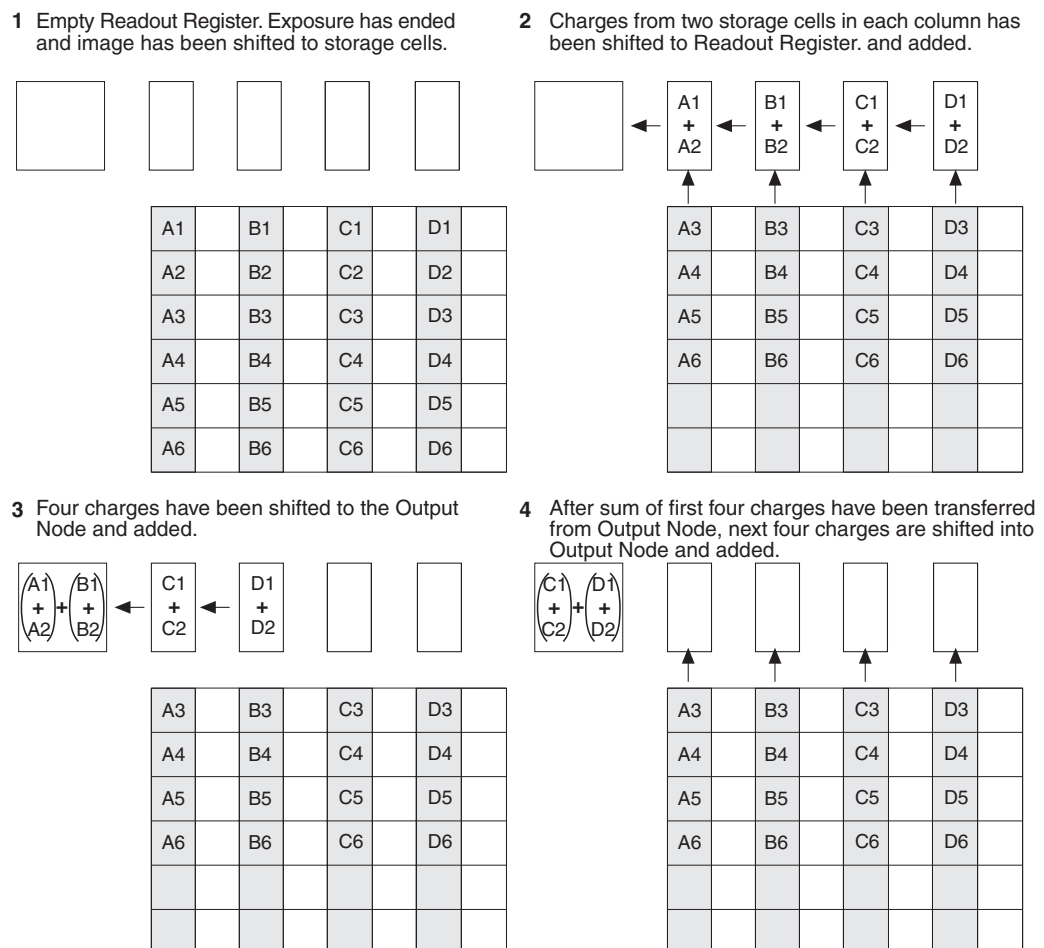


Figure 26.  $2 \times 2$  Binning for Interline CCD

### ***Software Binning***

One limitation of hardware binning is that the shift register pixels and the output node are typically only 2-3 times the size of imaging pixels as shown in Table 10. Consequently, if the total charge binned together exceeds the capacity of the shift register or output node, the data will be corrupted.

This restriction strongly limits the number of pixels that may be binned in cases where there is a small signal superimposed on a large background, such as signals with a large fluorescence. Ideally, one would like to bin many pixels to increase the S/N ratio of the weak peaks but this cannot be done because the fluorescence would quickly saturate the CCD.

<b>CCD Array</b>	<b>Imaging/Storage Cells Well Capacity</b>	<b>Readout Register Well Capacity</b>	<b>Output Node Well Capacity</b>
EEV CCD-37 512 x 512	100 x 10 <sup>3</sup> electrons	200 x 10 <sup>3</sup> electrons	400 x 10 <sup>3</sup> electrons
PID 582 x 782	18 x 10 <sup>3</sup> electrons	40 x 10 <sup>3</sup> electrons	40 x 10 <sup>3</sup> electrons
PID 1030 x 1300	34 x 10 <sup>3</sup> electrons	34 x 10 <sup>3</sup> electrons	65 x 10 <sup>3</sup> electrons

*Table 10. Well Capacity for some CCD Arrays*

The solution is to perform the binning in software. Limited hardware binning may be used when reading out the CCD. Software binning allows you to perform additional binning during the data acquisition process, producing a result that represents many more photons than was possible using hardware binning.

Software averaging can improve the S/N ratio by as much as the square root of the number of scans. Unfortunately, with a high number of scans (i.e., above 100) camera 1/f noise may reduce the actual S/N ratio to slightly below this theoretical value. Also, if the light source used is photon-flicker limited rather than photon shot-noise limited, this theoretical signal improvement cannot be fully realized. Again, background subtraction from the raw data is necessary.

This technique is also useful in high light level experiments, where the camera is again photon shot-noise limited. Summing multiple pixels in software corresponds to collecting more photons, and results in a better S/N ratio in the measurement.

### ***Analog Gain Control***

Analog gain control is used to change the number of electrons required to generate an Analog-to-Digital Unit (ADU, also known as a count). In WinView/32, the choice of analog gain settings varies depending on the CCD array and the number of output amplifiers. If your camera is not designed for analog gain selection, these settings will not be accessible in the software.

In WinView (version 2.X and higher), analog gain selection is made on the **Acquisition| Experiment Setup...|ADC** tab card. If there is no Analog Gain parameter on that tab card, analog gain may not be selectable or it may be controlled by a gain switch on the camera. When software-selection of Analog Gain is available, the software selection will override any hardware setting that may be selected at the camera.

The analog gain of the camera should generally be set so that the overall noise is ~1 count RMS. In most instances this will occur with the switch set to **Medium**. In situations where the A/D range exceeds that of the array, it will generally be better to set

the Analog Gain to **High** so that the signal can be spread over as much of the A/D range as possible. Users who consistently measure low-level signals may wish to select **High**, which reduces some sources of noise. Users who measure high-level signals may wish to select **Low** to allow digitization of larger signals. Customized values of gain can be provided. Contact the factory for additional information.

**Example:** The following descriptions assume that the actual incoming light level is identical in all three instances. *The numbers used illustrate the effect of changing an analog gain setting and do not reflect actual performance: gain at the Low, Medium, and High settings depends on the CCD installed.*

**Low** requires eight electrons to generate one ADU. Strong signals can be acquired without flooding the CCD array. If the gain is set to **Low** and the images or spectra appear weak, you may want to change the gain setting to **Medium** or **High**.

**Medium** requires four electrons to generate one ADU. If the gain is set to **Medium** and the images or spectra do not appear to take up the full dynamic range of the CCD array, you may want to change the gain setting to **High**. If the CCD array appears to be flooded with light, you may want to change the setting to **Low**.

**High** requires two electron to generate one ADU and some noise sources are reduced. Because fewer electrons are needed to generate an ADU, weaker signals can be more readily detected. Lower noise further enhances the ability to acquire weak signals. If the CCD array appears to be flooded with light, you may want to change the setting to **Medium** or **Low**.

**Note:** The baseline level may require adjustment if you change the analog gain. See "ADC Offset", page 59, for more information.

## Digitization

### **Introduction**

After gain has been applied to the signal, the Analog-to-Digital Converter (ADC) converts that analog information (continuous amplitudes) into a digital data (quantified, discrete steps) that can be read, displayed, and stored by the application software. The number of bits per pixel is based on both the hardware and the settings programmed into the camera through the software (see "**Readout**", page 60).

### **Digitization Rate**

During readout, an analog signal representing the charge of each pixel (or binned group of pixels) is digitized. The number of bits per pixel is based on both the hardware and the settings programmed into the camera through the software. Depending on the MicroMAX system, single, dual (100 kHz/1 MHz), or multiple digitization rates may be available.

Dual and multiple digitization provide optimum signal-to-noise ratios at all readout speeds. Because the readout noise of CCD arrays increases with the readout rate, it is sometimes necessary to trade off readout speed for high dynamic range. In the most common ST-133 configurations, there will be a 1 MHz conversion speed for the fastest possible data collection and a 100 kHz conversion speed for use where noise performance is the paramount concern. Switching between the conversion speeds is completely under software control for total experiment automation.

**Note:** In WinView and WinSpec, the ADC rate can be changed on the **Experiment Setup|ADC** tab page.



## Advanced Topics

---

### Introduction

Previous chapters have discussed setting up the hardware and the software for basic operation. This chapter discusses topics associated with experiment synchronization (set up on the **Experiment Setup| Timing** tab page in WinView), TTL control, and the Kinetics mode option.

*"Standard Timing Modes"*, the first topic, discusses Timing Modes, Shutter Control, and Edge Trigger. Also included under this topic is a discussion of the **EXT SYNC** connector, the input connector for a trigger pulse.

*"Frame Transfer Operation"* discusses the two timing modes available for frame transfer operation, Free Run and External Sync.

*"Interline Operation"* discusses the two interline chip operating modes, overlapped or non-overlapped.

*"Fast and Safe Modes"* discusses the Fast and the Safe modes. Fast is used for real-time data acquisition

and Safe is used when coordinating acquisition with external devices or when the computer speed is not fast enough to keep pace with the acquisition rate.

*"TTL Control"* discusses the **TTL IN/OUT** connector on the rear of the ST-133. TTL In/Out levels can be set and read via the WinX32 Automation language to automate data acquisition and processing functions.

*"Kinetics Mode"* discusses the Kinetics mode option. This form of data acquisition relies on mechanical or optical masking of the CCD array for acquiring time-resolved images/spectra.

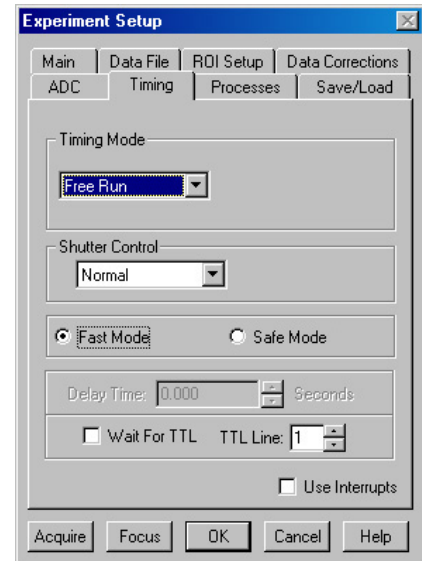


Figure 27. Timing tab page

## Standard Timing Modes

### Overview

The Princeton Instruments ST-133 Controller has been designed to allow the greatest possible flexibility when synchronizing data collection with an experiment.

The chart to the right lists the timing mode combinations (selected on the **Experiment Setup|Timing** tab page). These timing modes are combined with the Shutter options to provide the widest variety of timing modes for precision experiment synchronization.

The shutter options available include Normal, PreOpen, Disable Opened or Disable Closed. Disable simply means that the shutter will not operate during the experiment. Disable closed is useful for making dark charge measurements, or when no shutter is present. PreOpen, available in the External Sync and External Sync with Continuous Cleans modes, opens the shutter as soon as the ST-133 is ready to receive an External Sync pulse. This is required if the time between the External Sync pulse and the event is less than a few milliseconds, the time it takes the shutter to open.

The shutter timing is shown in the timing diagrams that follow. Except for Free Run, where the modes of shutter operation are identical, both Normal and PreOpen lines are shown in the timing diagrams and flowchart.

The timing diagrams are labeled indicating the exposure time ( $t_{exp}$ ), shutter compensation time ( $t_c$ ), and readout time ( $t_R$ ). For more information about these parameters, see the discussion of frame readout, starting on page 60.

### Free Run

In the Free Run mode the controller does not synchronize with the experiment in any way. The shutter opens as soon as the previous readout is complete, and remains open for the exposure time,  $t_{exp}$ . Any External Sync signals are ignored. This mode is useful for experiments with a constant light source, such as a CW laser or a DC lamp. Other experiments that can utilize this mode are high repetition studies, where the number of shots that occur during a single shutter cycle is so large that it appears to be continuous illumination.

Other experimental equipment can be synchronized to the detector by using the output signal (software-selectable SHUTTER or NOT SCAN) from the **SCAN** connector on the back of the ST-133. Shutter operation and the NOT SCAN output signal are shown in Figure 29.

Mode	Shutter
Free Run	Normal
External Sync	Normal
External Sync	PreOpen
External Sync with Continuous Cleans	Normal
External Sync with Continuous Cleans	PreOpen

Table 11. Detector Timing Modes

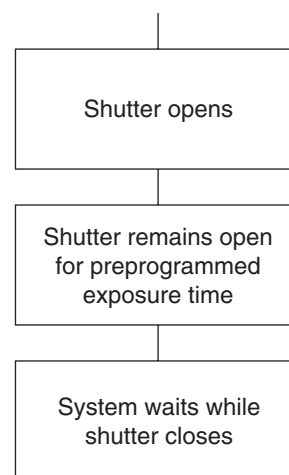


Figure 28. Free Run Timing Chart (part of the chart in Figure 40)

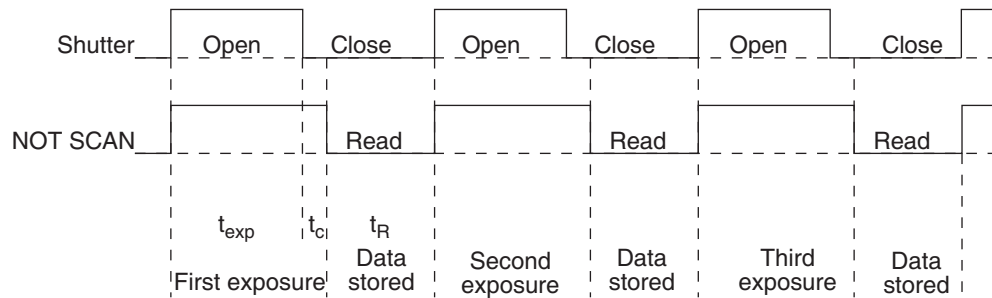


Figure 29. Free Run Timing Diagram

### External Sync

In this mode all exposures are synchronized to an external source. As shown in the flowchart, Figure 30, this mode can be used in combination with Normal or PreOpen Shutter operation. In Normal Shutter mode, the controller waits for an External Sync pulse, then opens the shutter for the programmed exposure period. As soon as the exposure is complete, the shutter closes and the CCD array is read out.

External synchronization depends on an edge trigger (negative- or positive-going) which must be supplied to the **Ext Sync** connector on the back of the camera. The type of edge must be identified in the application software to ensure that the shutter opening is initiated by the correct edge (in WinView/WinSpec, this is done on the **Experiment Setup|Timing** tab page). Depending on the shutter, it may require up to 28 msec to fully open. Therefore, the External Sync pulse provided by the experiment should precede the actual signal by at least that much time. If not, the shutter may not be open for the duration of the entire signal, or the signal may be missed completely.

Also, since the amount of time from initialization of the experiment to the first External Sync pulse is not fixed, an accurate background subtraction may not be possible for the first readout. In multiple-shot experiments this is easily overcome by simply discarding the first frame.

In the PreOpen Shutter mode, on the other hand, shutter operation is only partially synchronized to the experiment. As soon as the controller is ready to collect data, the shutter opens. Upon arrival of the first External Sync pulse at the ST-133, the shutter remains open for the specified exposure period, closes, and the CCD is read out. As soon as readout is complete, the shutter reopens and waits for the next frame.

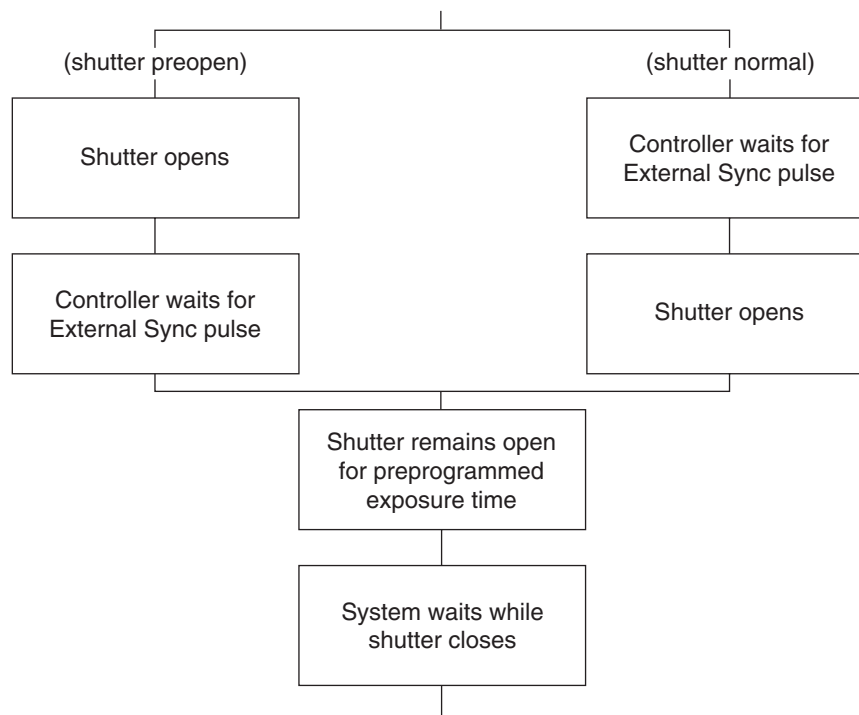


Figure 30. Showing Shutter "Preopen" & "Normal" Modes in External Sync Operation

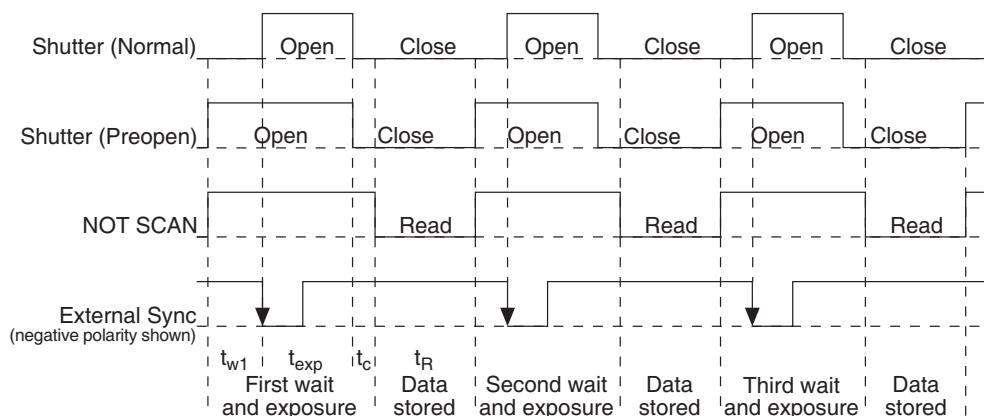


Figure 31. External Sync Timing Diagram (- edge trigger)

The PreOpen mode is useful in cases where an External Sync pulse cannot be provided 5-28 msec before the actual signal occurs. Its main drawback is that the CCD is exposed to any ambient light while the shutter is open between frames. If this ambient light is constant, and the triggers occur at regular intervals, this background can also be subtracted, providing that it does not saturate the CCD. As with the Normal Shutter mode, accurate background subtraction may not be possible for the first frame.

Also note that, in addition to signal from ambient light, dark charge accumulates during the "wait" time ( $t_w$ ). Any variation in the external sync frequency also affects the amount of dark charge, even if light is not falling on the CCD during this time.

**Note:** If EXT SYNC is still active at the end of the readout, the hardware will interpret this as a second sync pulse, and so on.

### **External Sync with Continuous Cleans**

The third timing mode available with the MicroMAX camera is called Continuous Cleans. In addition to the standard “cleaning” of the array, which occurs after the controller is enabled, Continuous Cleans will remove any charge from the array until the moment the External Sync pulse is received.

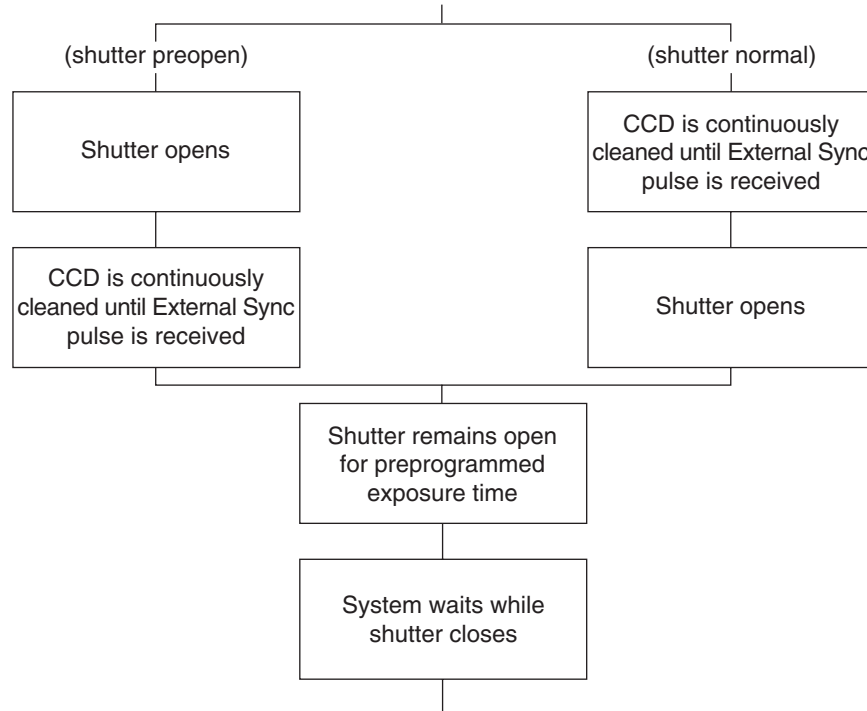


Figure 32. Continuous Cleans Flowchart

Once the External Sync pulse is received, cleaning of the array stops as soon as the current row is shifted, and frame collection begins. With Normal Shutter operation the shutter is opened for the set exposure time. With PreOpen Shutter operation the shutter is open during the continuous cleaning, and once the External Sync pulse is received the shutter remains open for the set exposure time, then closes. If the vertical rows are shifted midway when the External Sync pulse arrives, the pulse is saved until the row shifting is completed, to prevent the CCD from getting “out of step.” As expected, the response latency is on the order of one vertical shift time, from 1-30  $\mu\text{sec}$  depending on the array. This latency does not prevent the incoming signal from being detected, since photo generated electrons are still collected over the entire active area. However, if the signal arrival is coincident with the vertical shifting, image smearing of up to one pixel is possible. The amount of smearing is a function of the signal duration compared to the single vertical shift time.

**Note:** If EXT SYNC is still active at the end of the readout, the hardware will interpret this as a second sync pulse, and so on.

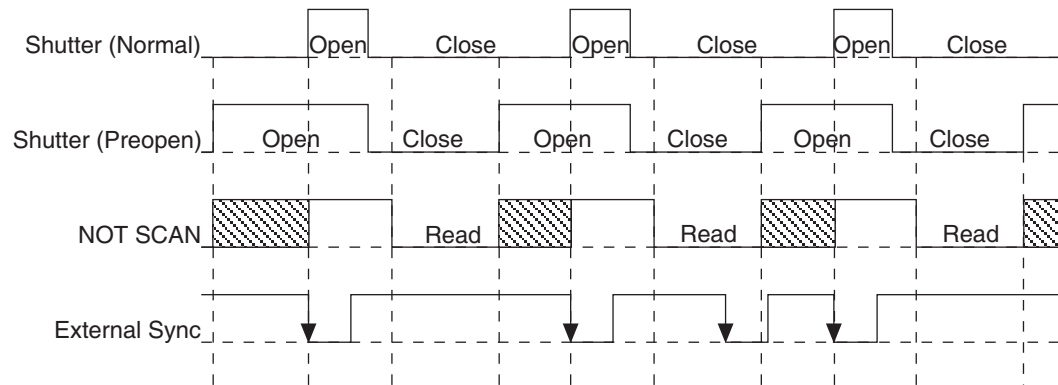


Figure 33. Continuous Cleans Timing Diagram

## Frame Transfer Operation

In frame transfer operation, half the CCD is used for sensing light and the other half for storage and readout. Not all CCD arrays are capable of readout in this mode, as it requires that charge be shifted independently in the two halves of the array. *See Chapter 5 for a detailed discussion of readout in the frame-transfer mode operation; the primary focus of this section is frame-transfer timing.*

There are two timing options available in frame transfer mode, Free Run and External Sync. Both are similar to their counterparts in full frame (standard) operation, except that in frame transfer operation a shutter is not generally used. Because there is no shutter (or the shutter is only closed after the camera has collected a series of frames), shutter Normal, PreOpen, or Disable have no physical meaning here. The exposure half of the array sees light continuously. The *actual exposure time* is the time between data transfers from the exposure half of the array to the storage half of the array, and may be longer than the programmed exposure,  $t_{exp}$ . Data transfer from the exposure half of the array to the storage half occurs very quickly at the start of each read. During the read, the stored data is shifted to the array's output port, the same as in standard operation.

In Free Run frame-transfer mode operation, half of the array is exposed for the set exposure time ( $t_{exp}$ ). Then the data transfer to the storage half of the array takes place, marking the start of the read and the beginning of a new exposure.

In External Sync frame-transfer mode operation, the camera reads out one frame for every External Sync pulse received, providing the frequency of the External Sync pulse doesn't exceed the maximum rate possible with the system. Other than for the first readout, initiated by starting acquisition, a Sync Pulse must be detected before the subsequent readout can occur.

**Note:** If EXT SYNC is still active at the end of the readout, the hardware will interpret this as a second sync pulse, and so on.

If operating without a shutter, the actual exposure time is set by the period of the sync signal. There is one exception, if the programmed exposure time is less than the readout time, then the actual exposure time is simply equal to  $t_R$ , the readout time (marked by NOT SCAN low). More specifically, if the readout time,  $t_R$ , is greater than the sum of  $t_{w1}$ , the time the controller waits for the first External Sync pulse, plus  $t_{exp}$ , the programmed exposure time, plus  $t_c$ , the shutter compensation time, then the actual exposure time will equal  $t_R$ . If an External Sync pulse is detected during each read, frames will follow one

another as rapidly as possible as shown in Figure 34. In these figures, Shutter indicates the programmed exposure time. If a shutter were present and active, it would also be the actual exposure time.

Prior to the first readout, clean cycles are performed on the array. When the software issues a Start Acquisition command, the first readout is generated in hardware and the rapid data transfer from the exposure half of the array to the storage half of the array occurs (marking the beginning of the first exposure). The initial data read are discarded because they are not meaningful. The first exposure continues until the next data transfer, which occurs at the beginning of the next readout, 50 ns after the first readout ends. The data acquired during the first exposure is then read out. This pattern continues for the duration of the experiment so that, during each frame, the data acquired during the previous frame is read out.

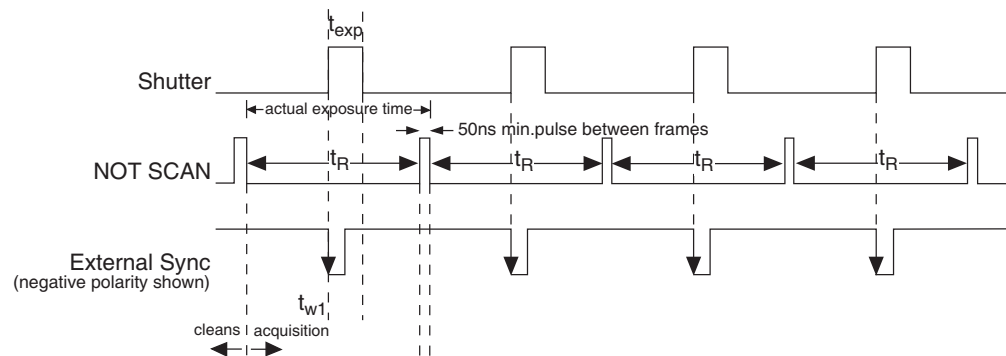


Figure 34. Frame Transfer where  $t_{w1} + t_{exp} + t_c < t_R$

Figure 35 shows the case where the programmed storage time is greater than the time required to read out the storage half of the array, that is, where  $t_{w1} + t_{exp} + t_c > t_R$ . In this case, the programmed exposure time will dominate in determining the actual exposure time. In the situation depicted in Figure 35, the External Sync pulse arrives during the readout. As always, the External Sync pulse must be detected before the next readout can occur. However, there is no requirement as to when it must be applied or even that it be periodic. The timing of the External Sync pulse is entirely at the user's discretion. In Figure 36, the External Sync pulse is shown arriving after the read. Detection of the External Sync pulse enables a new readout to occur on completion  $t_{exp} + t_c$ .

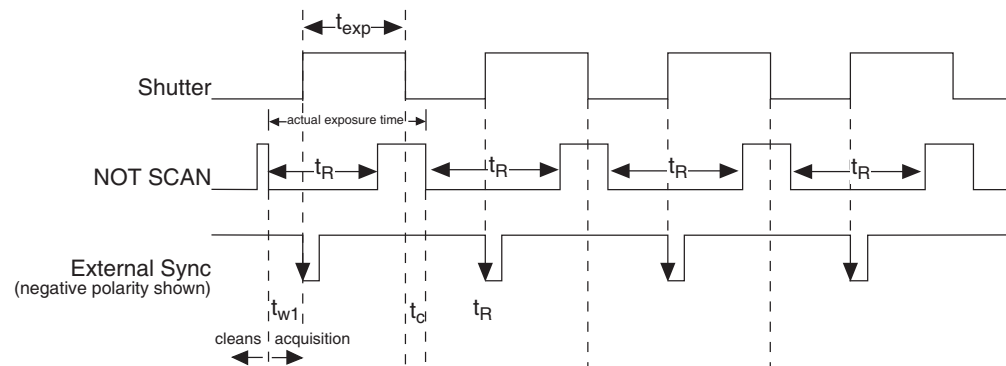


Figure 35. Frame Transfer where  $t_{w1} + t_{exp} + t_c > t_R$

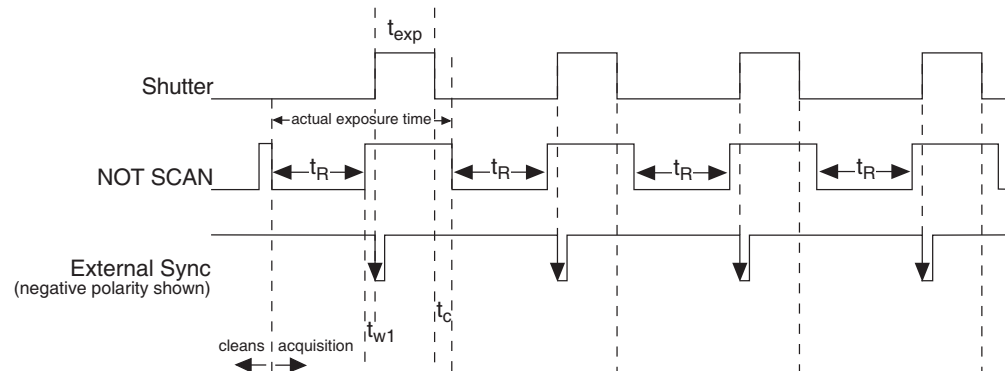


Figure 36. Frame Transfer where Pulse arrives after Readout

## Interline Operation

### Operating Modes

It is important to note that an interline chip can operate in either of two operating modes, overlapped or non-overlapped. The operating mode is always overlapped unless the exposure time is shorter than the readout time, in which case non-overlapped operation is automatically selected by the controlling software. Because overlapped operation is faster, to achieve the fastest possible operation, it is generally preferable to operate overlapped if possible. Thus there may be situations where *increasing the exposure time* slightly will cause the camera to switch from non-overlapped to overlapped operation. When this happens, the video may blank for a moment as the unit is reprogrammed, and then reappear with approximately double the frame rate that was available when it was operating non-overlapped. Detailed discussions of how the interline camera works and the implications for operation follow.

As stated before, there are two basic operating modes, overlapped and non-overlapped:

- **Overlapped:** When the camera is operated in the overlapped mode, readout begins at the end of the exposure time and a new exposure is initiated immediately. This mode allows the fastest possible speed. And, because the charge only has to transfer to the adjacent row, there is no smearing.
- **Non-overlapped:** This operation mode is automatically selected by the controlling software when the exposure time is less than the readout time. In non-overlapped operation, the image is transferred to the storage cells at the end of the exposure time and no further accumulation occurs (the imaging cells are switched off). The accumulated charge on each storage cell is transferred out of the CCD array, amplified, and sent to the controller as an analog signal, where it is digitized prior to transfer to the computer.

### Timing Options in Overlapped Readout Mode

Interline CCD arrays have columns of imaging cells alternating with columns of storage cells. During readout, the charge stored in the photo-sensitive imaging cells move only one row to the adjacent storage cells. From there they move downwards to the readout register and from there to the output node. This scheme serves to allow high speeds, no smearing and shutterless operation, a distinct advantage over frame-transfer sensors



where the cell contents can be contaminated by the charge in other cells as data is moved across the CCD and under the mask.

There are two timing options available in the overlapped mode, Free Run and External Sync. (**None** should be the Shutter Type selection if using WinView/32 software and operating without a shutter.) In both Free Run and External Sync operation, the array photosensors see light continuously. The *actual exposure time* is the time between data transfers from a photo-sensitive imaging cell to the adjacent storage cell, and may be longer than the programmed exposure,  $t_{exp}$ . Data transfer from the photo-sensitive imaging cells to the storage cells occurs very quickly at the start of each readout. During the read, the stored data is shifted to the array's readout register and from there to the output node.

- In Free Run overlapped mode operation, the imaging cells are exposed for the set exposure time ( $t_{exp}$ ). Then the data transfer to the storage cells takes place, marking the start of the read and the beginning of a new exposure.
- In the External Sync mode, *overlapped operation only is provided*. The camera reads out one frame for every External Sync pulse received, providing the frequency of the External Sync pulse does not exceed the maximum rate possible with the system. A sync pulse must be detected before the subsequent readout can occur. If operating without a shutter, the actual exposure time is set by the period of the sync signal. There is one exception.

If the programmed exposure time is less than the readout time in the External Sync mode, then the actual exposure time is simply equal to  $t_R$ , the readout time (marked by NOT SCAN low). More specifically, if the readout time,  $t_R$ , is greater than the sum of  $t_{w1}$ , the time the controller waits for the first External Sync pulse, plus  $t_{exp}$ , the programmed exposure time, plus  $t_c$ , the shutter compensation time (zero with **None** selected as the Shutter type), then the actual exposure time will equal  $t_R$ . If an External Sync pulse is detected during each read, frames will follow one another as rapidly as possible as shown in Figure 37. In these figures, Shutter indicates the *programmed* exposure time. If a shutter were present and active, it would also be the *actual* exposure time.

Before the first readout, clean cycles are performed on the array. When the software issues a Start Acquisition command, the first exposure begins. Time counting of the programmed Exposure Time begins when the sync pulse arrives at the Ext Sync connector. The exposure ends on completion of the programmed Exposure Time. Then the data acquired during the first exposure is read out while the next frame of data is being acquired. This pattern continues for the duration of the experiment so that, during each frame, the data acquired during the previous frame is read out.

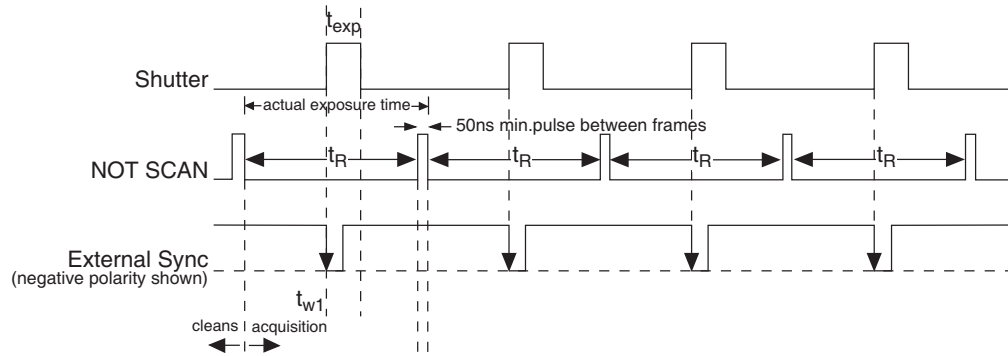


Figure 37. Overlapped Mode where  $t_{w1} + t_{exp} + t_c < t_R$

Figure 38 shows the case where the programmed exposure time is greater than the time required to read out the storage half of the array, that is, where  $t_{w1} + t_{exp} + t_c > t_R$ . In this case, the programmed exposure time will dominate in determining the actual exposure time. In the situation depicted in Figure 38, the External Sync pulse arrives during the readout. As always, the External Sync pulse must be detected before the next readout can occur. However, there is no requirement as to when it must be applied or even that it be periodic. The timing of the External Sync pulse is entirely at the user's discretion. In Figure 39, the External Sync pulse is shown arriving after the read. Detection of the External Sync pulse enables a new readout to occur on completion  $t_{exp} + t_c$ .

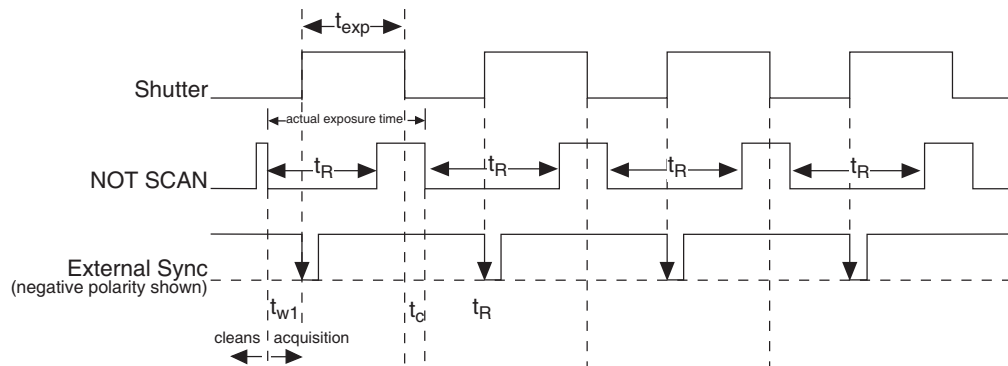


Figure 38. Overlapped Mode where  $t_{w1} + t_{exp} + t_c > t_R$

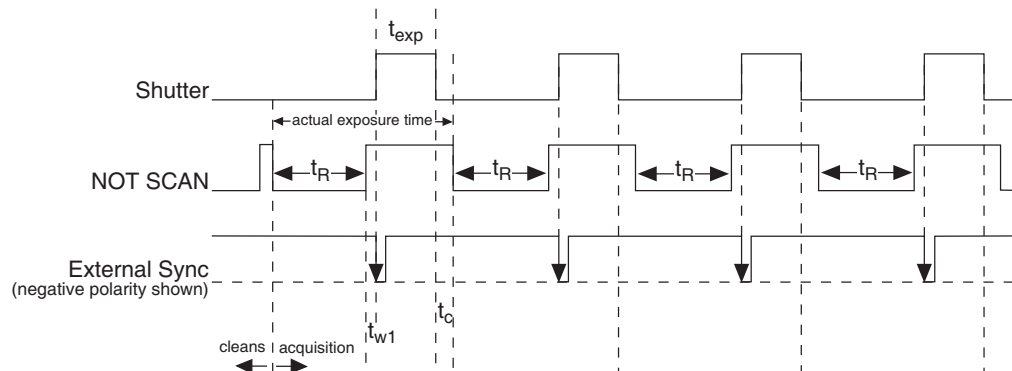


Figure 39. Overlapped Mode where Pulse arrives after Readout

## Fast and Safe Speed Modes

The WinSpec/32 Experiment Setup **Timing** tab page allows the user to choose **Fast** or **Safe Mode**. Figure 40 is a flowchart comparing the two modes. In Fast Mode operation, the MicroMAX runs according to the timing of the experiment, with no interruptions from the computer. In Safe Mode operation, the computer processes each frame as it is received. The MicroMAX cannot collect the next frame until the previous frame has been completely processed.

Fast Mode operation is primarily for collecting "real-time" sequences of experimental data, where timing is critical and events cannot be missed. Once the MicroMAX is sent the Start Acquisition command by the computer, all frames are collected without further intervention from the computer. The advantage of this timing mode is that timing is controlled completely through hardware. A drawback to this mode is that the computer will only display frames when it is not performing other tasks. Image display has a lower priority, so the image on the screen may lag several images behind. *A video monitor connected to the VIDEO output will always display the current image.* A second drawback is that a data overrun may occur if the number of images collected exceeds the amount of allocated RAM or if the computer cannot keep up with the data rate.

Safe Mode operation is primarily useful for experiment setup, including alignment and focusing, when it is necessary to have the most current image displayed on the screen. It is also useful when data collection must be coordinated with external devices such as external shutters and filter wheels. As seen in Figure 40, in Safe Mode operation, the computer controls when each frame is taken. After each frame is received, the camera sends the Stop Acquisition command to the camera, instructing it to stop acquisition. Once that frame is completely processed and displayed, another Start Acquisition command is sent from the computer to the camera, allowing it to take the next frame. Display is therefore, at most, only one frame behind the actual data collection.

One disadvantage of the Safe mode is that events may be missed during the experiment, since the MicroMAX is disabled for a short time after each frame.

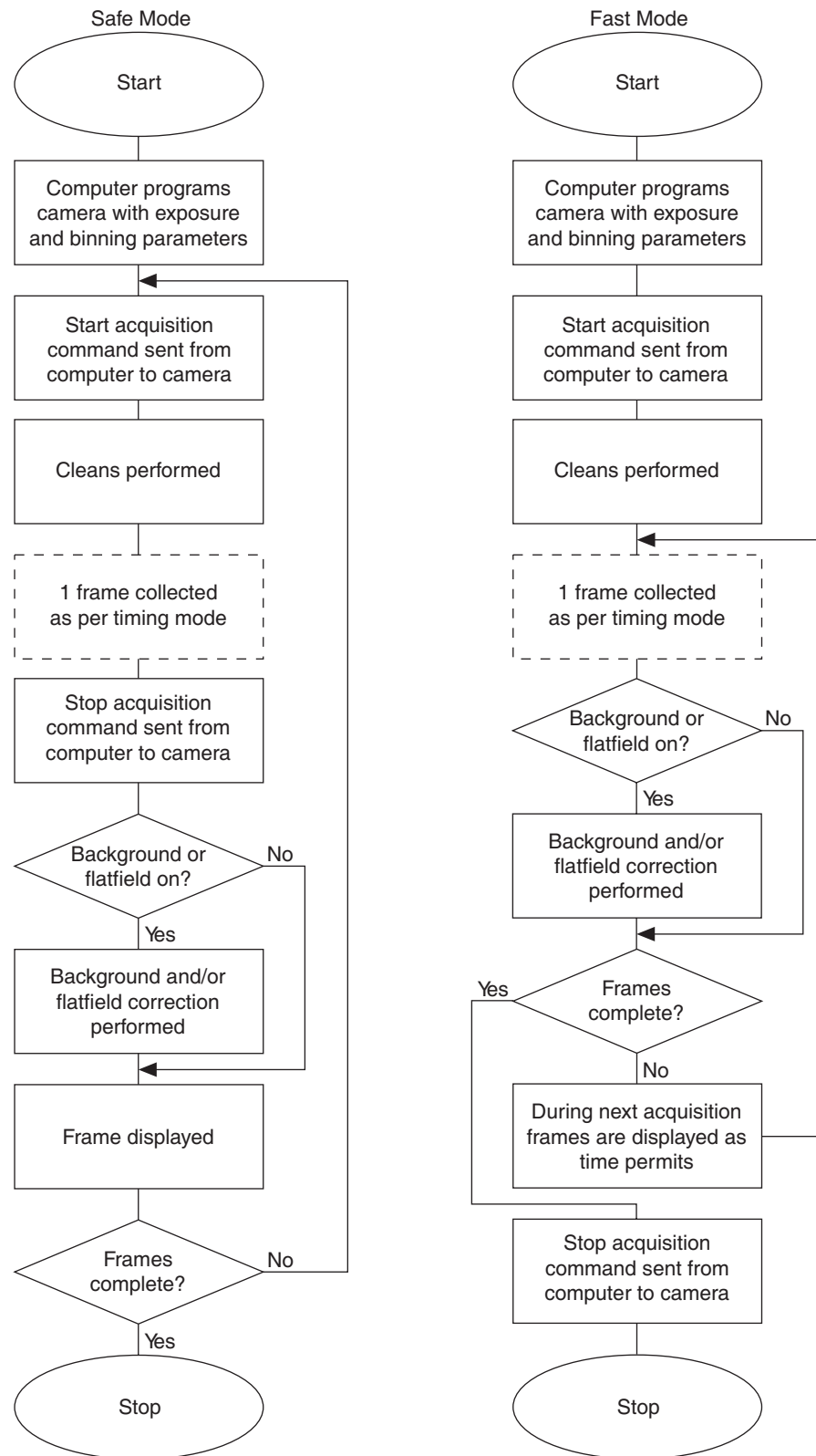


Figure 40. Chart of Safe and Fast Mode Operation

## TTL Control

*Fully supported by WinView/WinSpec Version 2.5 when the communication protocol is TAXI (PCI), this feature is not supported when the protocol is USB 2.0.*

### Introduction

This connector provides 8 TTL lines in, 8 TTL lines out and an input control line. Figure 41 illustrates the connector and Table 13 lists the signal/pin assignments.

Princeton Instruments WinView/32 software packages incorporate WinX32 Automation, a programming language that can be used to automate performing a variety of data acquisition and data processing functions, including use of the TTL IN/OUT functions. WinX32 Automation can be implemented in programs written in Vision Basic or Visual C++. See the WinX32 documentation for more detailed information.

### TTL In

The user controls the 8 TTL Input lines, setting them high (+5 V; TTL 1) or low (0 V; TTL 0). When the lines are read, the combination of highs and lows read defines a decimal number which the computer can use to make a decision and initiate actions as specified in the user's program. If a TTL IN line is low, its numeric value is 0. If a TTL IN line is high, its numeric value is as follows.

TTL IN	Value	TTL IN	Value
1	1	5	16
2	2	6	32
3	4	7	64
4	8	8	128

This coding allows any decimal value from 0 to 255 to be defined. Thus, as many as 256 different sets of conditions can be specified, at the user's discretion, using the TTL IN lines. *Any unused lines will default to TTL high (+5 V).* For example, to define the number three, the user would simply set the lines TTL IN 1 and TTL IN 2 both high (+5 V). It would be necessary to apply TTL low to the remaining six lines because they would otherwise default to TTL high as well.

TTL IN	Value	TTL IN	Value
1	High (1)	5	Low (0)
2	High (2)	6	Low (0)
3	Low (0)	7	Low (0)
4	Low (0)	8	Low (0)

Table 12 illustrates this coding for decimal values 0 through 7. Obviously this table could easily be extended to show the coding for values all the way to 255.

Decimal Equiv.	TTL IN/OUT 8 1= dec 128	TTL IN/OUT 7 1=dec 64	TTL IN/OUT 6 1=dec 32	TTL IN/OUT 5 1=dec 16	TTL IN/OUT 4 1=dec 8	TTL IN/OUT 3 1=dec 4	TTL IN/OUT 2 1=dec 2	TTL IN/OUT 1 1=dec 1
0	0	0	0	0	0	0	0	0
1	0	0	0	0	0	0	0	1
2	0	0	0	0	0	0	1	0
3	0	0	0	0	0	0	1	1
4	0	0	0	0	0	1	0	0
5	0	0	0	0	0	1	0	1
6	0	0	0	0	0	1	1	0
7	0	0	0	0	0	1	1	1

Table 12. Bit Values with Decimal Equivalents:

1 = High

0 = Low

### **Buffered vs. Latched Inputs**

In controlling the TTL IN lines, users also have the choice of two input-line states, *buffered* or *latched*. In the buffered state, the line levels must remain at the intended levels until they are read. With reference to the preceding example, the high level at TTL IN 1 and TTL IN 2 would have to be maintained until the lines are read. In the latched state, the applied levels continue to be available until read, even if they should change at the TTL In/Out connector.

This control is accomplished using the EN/CLK TTL input (pin 6). If EN/CLK is open or high, *buffered* operation is established and the levels reported to the macro will be those in effect when the READ is made. With reference to our example, if pin 6 were left unconnected or a TTL high applied, TTL IN 1 and TTL IN 2 would have to be held high until read. If, on the other hand, EN/CLK were made to go low while TTL IN 1 and TTL IN 2 were high, those values would be *latched* for *as long as EN/CLK remained low*. The levels actually present at TTL IN 1 and TTL IN 2 could then change without changing the value that would be read by software.

### **TTL Out**

The state of the TTL OUT lines is set from WinView/32. Typically, a program monitoring the experiment sets one or more of the TTL Outputs. Apparatus external to the MicroMAX system interrogates the lines and, on detecting the specified logic levels, takes the action appropriate to the detected condition. The coding is the same as for the input lines. There are eight output lines, each of which can be set low (0) or high (1). The combination of states defines a decimal number as previously described for the TTL IN lines.

Pin #	Assignment	Pin #	Assignment
1	IN 1	14	IN 2
2	IN 3	15	IN 4
3	IN 5	16	IN 6
4	IN 7	17	IN 8
5	GND	18	GND
6	EN/CLK	19	Reserved
7	(future use)	20	GND
8	GND	21	OUT 2
9	OUT 1	22	OUT 4
10	OUT 3	23	OUT 6
11	OUT 5	24	OUT 8
12	OUT 7	25	GND
13	Reserved		

Table 13. TTL In/Out Connector Pinout

TTL IN/OUT

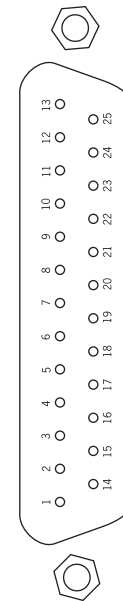


Figure 41. TTL In/Out Connector

### TTL Diagnostics Screen

WinView/32 provides a TTL Diagnostics screen (located in WinView/32 under **Hardware Setup|Diagnostics**) that can be used to test and analyze the TTL In/Out lines.

**Note:** In WinView software versions prior to 1.6, Output Lines 5, 6, 7, and 8 are shown checked in the default state, incorrectly indicating that their default state is logic 1 in the MicroMAX.

### Hardware Interface

A cable will be needed to connect the TTL In/Out connector to the experiment. The design will vary widely according to each user's needs, but a standard 25-pin female type D-subminiature connector will be needed to mate with the TTL In/Out connector at the ST-133. The hardware at the other end of the cable will depend entirely on the user's requirements. If the individual connections are made using coaxial cable for maximum noise immunity (recommended), the center conductor of the coax should connect to the proper signal pin and the cable shield should connect to the nearest available ground (grounds are conveniently provided at pins 5, 8, 18 and 20). Connector hardware and cables of many different types are

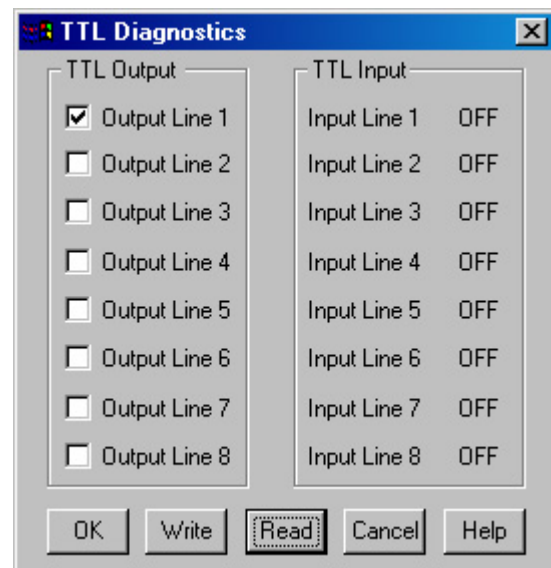


Figure 42. TTL Diagnostics dialog box

widely available and can often be obtained locally, such as at a nearby Radio Shack® store. A list of possibly useful items follows. Note that, although the items listed may be appropriate in many situations, they might not meet your specific needs.

- 25-pin female type D-subminiature solder type connector (Radio Shack part no 276-1548B).
- RG/58U coaxial cable.
- Shielded Metalized hood (Radio Shack part no 276-1536A).
- BNC connector(s) type UG-88 Male BNC connector (Radio Shack part no 278-103).

### **Example**

Suppose you needed to build a cable to monitor the line TTL OUT 1. One approach would be to build a cable assembly as described in the following paragraphs. This procedure could easily be adapted to other situations.

1. Begin with a 25-pin female type D-subminiature solder type connector (Radio Shack part no 276-1548B). This connector has 25 solder points open on the back.
2. Referring to Figure 41, note that pin 8 = GND and pin 9 = TTL OUT 1.
3. Using coaxial cable type RG/58U (6 feet length), strip out the end and solder the outer sheath to pin 8 (GND) and the inner line to pin 9 (TTL OUT 1). Then apply shielding to the lines to insulate them.
4. Mount the connector in a Shielded Metalized hood (Radio Shack part no 276-1536A).
5. Build up the cable (you can use electrical tape) to where the strain relief clamp holds.
6. Connect a BNC connector (UG-88 Male BNC connector) to the free end of the cable following the instructions supplied by Radio Shack on the box (Radio Shack part no 278-103).
7. To use this cable, connect the DB-25 to the TTL In/Out connector on the back of the Controller.
8. To check the cable, start WinView/32 and open the TTL Diagnostics screen (located in WinView under **Hardware Setup|Diagnostics**). Click the **Write** radio button. Then click the **Output Line 1** box. Next click the **OK** button to actually set TTL OUT 1 high. Once you set the voltage, it stays until you send a new command.
9. Measure the voltage at the BNC connector with a standard voltmeter (red on the central pin, black on the surrounding shielding). Before clicking **OK** at the TTL Diagnostics screen you should read 0 V. After clicking **OK** you should read +5 V.

Note that adding a second length of coaxial cable and another BNC connector would be straightforward. However, as you increase the number of lines to be monitored, it becomes more convenient to consider using a multiple conductor shielded cable rather than individual coaxial cables.



## Kinetics Mode

***Kinetics operation requires that the Kinetics option has been installed. Additionally, WinView (or WinSpec), version 2.5.18.1 or higher, is required when operating under USB 2.0.***

### Introduction

Kinetics mode uses the CCD to expose and store a limited number of images in rapid succession. The time it takes to shift each line (or row) on the CCD is as short as a few hundred nanoseconds to few microseconds, depending on the CCD. Therefore the time between images can be as short as a few microseconds. Kinetics mode allows frame transfer CCDs to take time-resolved images/spectra.

**Note:** Kinetics mode is an option, so the controller must be programmed before your order is shipped. If the Kinetics option has been installed in the ST-133, this readout mode will be made available when you select the appropriate camera type on the **Hardware Setup** dialog box.

Below is a simplified illustration of kinetics mode. Returning to our  $4 \times 6$  CCD example, in this case  $2/3$  of the array is masked, either mechanically or optically. The shutter opens to expose a  $4 \times 2$  region. While the shutter remains open, charge is quickly shifted just under the mask, and the exposure is repeated. After a third image is collected the shutter is closed and the CCD is read out. Since the CCD can be read out slowly, very high dynamic range is achieved. Shifting and readout are shown in Figure 43.

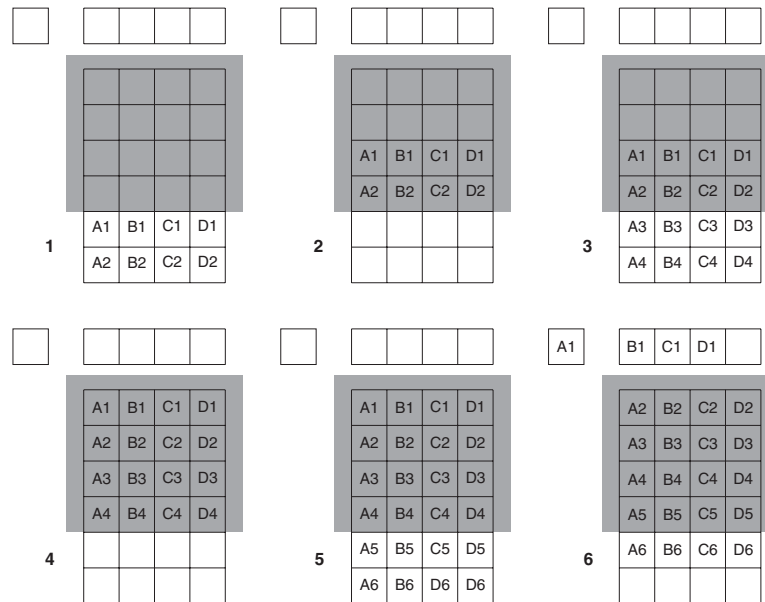


Figure 43. Kinetics Readout

### ***Kinetic Timing Modes***

Kinetics mode operates with three timing modes: Free Run, Single Trigger, and Multiple Trigger.

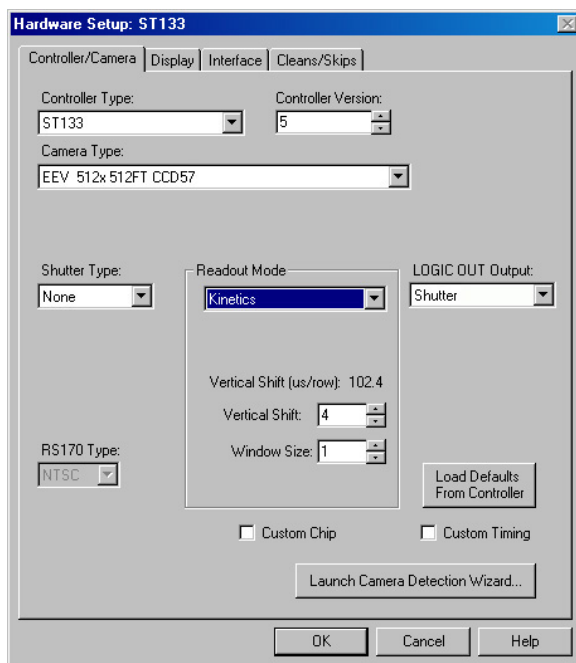


Figure 44. Hardware Setup dialog box

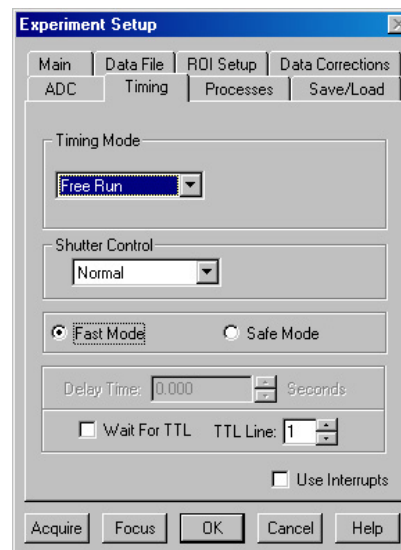


Figure 45. Experiment Setup dialog box

### ***Free Run***

In the Free Run Kinetics mode, the controller takes a series of images, each with the Exposure time set through the software (in WinView32, the exposure time is set on the **Experiment Setup|Main** tab page). The time between image frames, which may be as short as a few microseconds, is limited by the time required to shift an image under the mask: this interimage time equals the Vertical Shift rate (specified in  $\mu\text{sec}/\text{row}$ ) multiplied by the Window Size (the number of rows allocated for an image frame). The exact number of frames depends on the selected Window Size and is equal to the number of pixels perpendicular to the shift register divided by the Window Size.

**Example:** Referring to the readout shown in Figure 43, there are 6 pixels perpendicular to the shift register and the Window Size is 2 pixels high. The number of frames is 3. If the Vertical Shift Rate for the CCD is  $1.6 \mu\text{sec}/\text{row}$ , the Shift time will be  $3.2 \mu\text{sec}$  per frame.

Integrate signals (SHUTTER) or Readout signals (NOT SCAN) are provided at the **SCAN** BNC for timing measurements

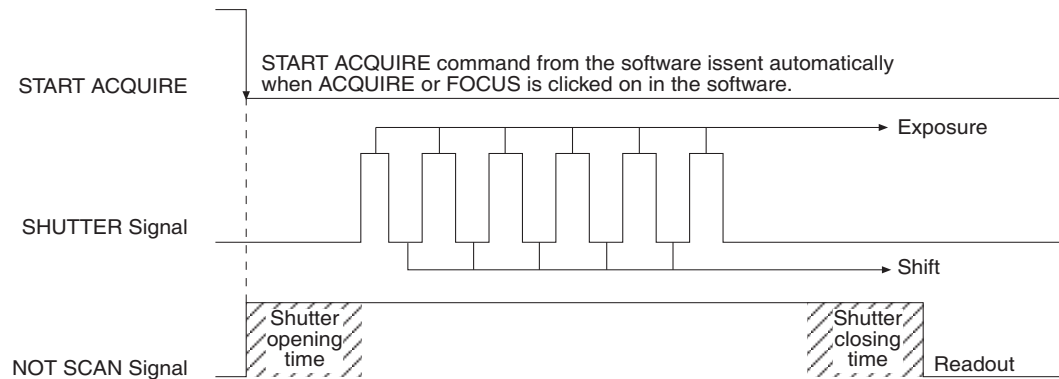


Figure 46. Free Run Timing Diagram

### **Single Trigger**

Single Trigger Kinetics mode takes an entire series of images with each External Trigger Pulse (applied at the Ext. Sync BNC on the control board of the ST-133). After the series is complete the shutter closes and the CCD is read out at normal speeds. Once the readout is complete the camera is ready for the next series of exposures. This timing is shown in Figure 47, where a single External trigger pulse is used to collect a burst of 6 frames.

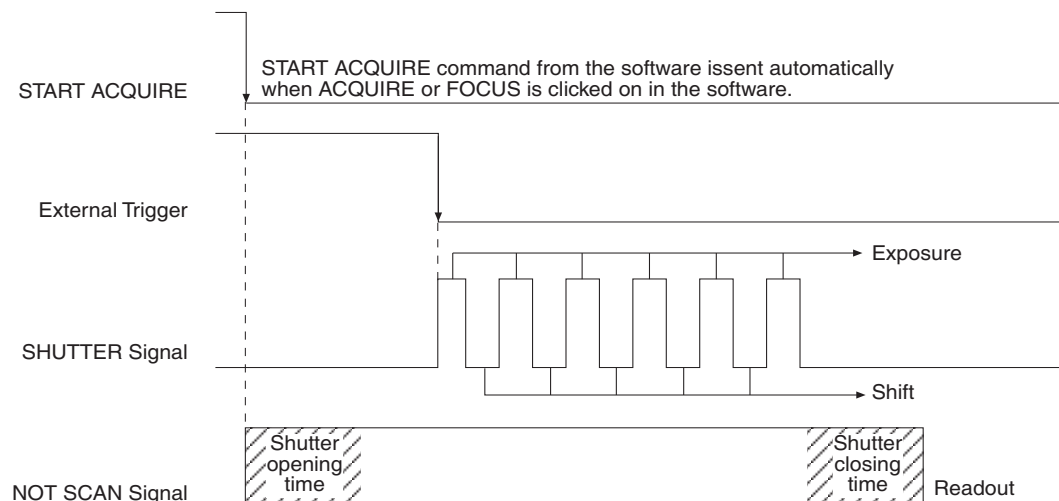


Figure 47. Single Trigger Timing Diagram

### **Multiple Trigger**

Multiple Trigger Kinetics mode takes a single image in the series for each External Sync pulse received by the controller. Once the series is complete the shutter closes and readout begins. Since the shutter is open during the entire series of images, if the External Sync pulses are irregularly spaced then the exposures will be of different lengths. Once the series has been read out the camera is ready for the next series. This timing is shown in Figure 48, where a series of 6 frames is collected with 6 External Sync pulses.

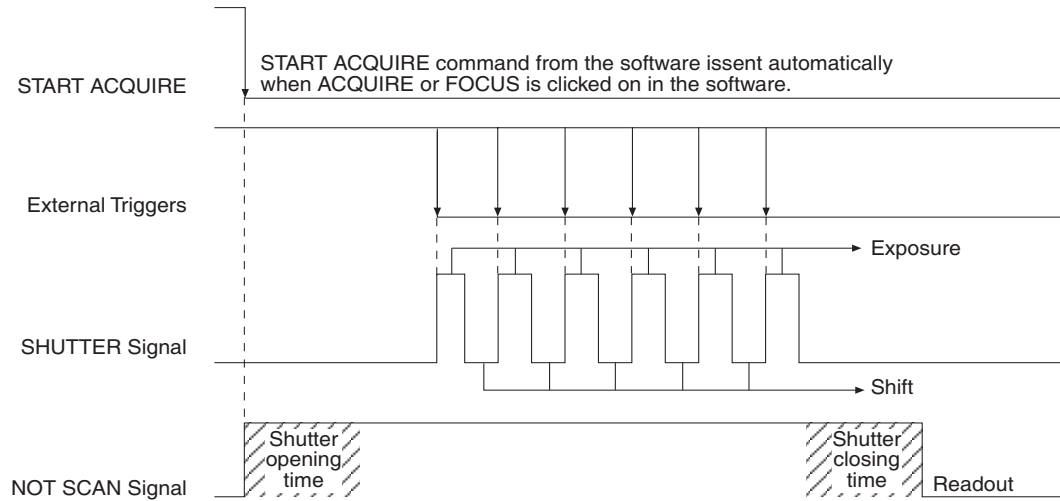


Figure 48. Multiple Trigger Timing Diagram

## MicroMAX DIF Camera (Double Image Feature)

---

*Supported by WinView/WinSpec Version 2.5 when the communication protocol is TAXI (PCI), this feature is not supported when the protocol is USB 2.0.*

### Introduction

This chapter describes operation of the MicroMAX DIF system. Both the Controller and a MicroMAX Interline camera must have factory modifications installed for DIF operation. In addition to the internal changes, a camera modified for DIF operation would ordinarily include a mechanical shutter. Execution of the DIF functions is done via the WinView/32 software (v2.2 or higher), which, when controlling a DIF system, provides three timing modes unique to DIF systems.

Basically, a DIF system is one that has been factory modified to allow images to be taken in pairs with very short exposure times (as small as 1  $\mu$ s). This capability makes it ideal for use in experiments where the goal is to obtain two fast successive images for the purpose of characterizing a time-differentiated laser-strobed process. LIF and velocity measurements are specific measurements that can be easily performed using the DIF system.

The ability of the interline chip to quickly transfer an image under the masked columns and hold it there makes this method of acquiring images possible. As soon as the first image is acquired, it is shifted under the masked area and held. The second exposure begins and is continuously held in the photodiode region until the mechanical shutter closes. Light entering the camera while waiting for the shutter to close is small compared to that captured during the strobed event and has little effect on the acquired data.

In addition to the Free Run mode, which allows single image acquisitions, three DIF timing modes, IEC (Internal Exposure Control), EEC (External Exposure Control) and ESABI (Electronic Shutter Active Between Images) are provided. Each works basically as follows.

**IEC:** Allows two *successive fast images of equal duration* to be acquired, with the second image acquisition taking place immediately after the first. Acquisition is initiated by applying a single externally derived trigger to the controller's **Ext. Sync** connector.

**EEC:** Allows two *successive fast images of differing duration* to be acquired, with the second image acquisition taking place immediately after the first. Acquisition is initiated by applying a single externally derived trigger to the controller's **Ext. Sync** connector, the same as in IEC operation.

**ESABI:** Allows two fast images *of equal duration* to be acquired. Unlike the IEC and EEC modes, in the ESABI mode, two pulses are applied to the **Ext. Sync.** connector. Each initiates a separate acquisition, allowing the user to set the time between acquisitions by externally adjusting the time between the two applied pulses.

When the data is saved, both images are saved in a single \*.spe file. The header is followed by frame 1 and then immediately afterwards by frame 2. This system makes it convenient to later load the images from the file for post-processing analysis.

#### Notes:

1. The Readout Mode set on the Controller/Camera tab page (Hardware on the Setup menu) *must* be set to DIF for DIF operation.
2. In the IEC, EEC or ESABI timing mode, set the Number of Images to 2 and Accumulations to 1.
3. On the Setup Hardware Cleans/Skips tab page, click the Load Factory Values button. This step is necessary for proper operation of the interline camera.
4. For most of the MicroMAX DIF cameras, the ESABI timing mode is activated and deactivated via the application software. If a MicroMAX DIF camera has a switch on its back panel, this switch must be set to the ACTIVE position for operation in the ESABI timing mode. At all other times it must be set to INACTIVE.

## Timing Modes

The timing mode selections provided on the Acquisition Experiment Setup **Timing** page are different from those in standard systems. The provided timing modes are:

**FREERUN** (single shot)

**IEC:** Internal Exposure Control (two shot)

**EEC:** External Exposure Control (two shot)

**ESABI:** Electronic Shutter Active Between Images (two shot)

A discussion of each mode follows.

### **Free Run**

The Free Run mode allows the user to capture single images. The exposure time is set on the Experiment Setup **Main** tab page, the same as in non-DIF systems, with the difference that the exposure time can be as short as one 1  $\mu$ s (maximum exposure time is 14.3 minutes). It often proves convenient to simply disable the mechanical shutter open in Free Run operation. The shutter requires  $\sim$ 8 ms to open and 8 ms to close. The camera waits until the shutter is completely open before acquiring the image, and in a typical experiment, the second image acquisition will be over long before the shutter closes. Readout doesn't occur until the shutter closes.

The **READY** signal output of the controller can be used to trigger external equipment, such as the laser. As soon as the shutter is completely opened and all of the cleans have been performed, **READY** goes low to indicate that the camera is ready to capture an image. As soon as the first exposure actually begins, **READY** returns high, as shown in Figure 49. Thus the positive going edge of the **READY** output marks the start of the first

exposure. In Free Run operation, the time that  $\overline{\text{READY}}$  remains low will typically be in the range of 400 to 600 ns.

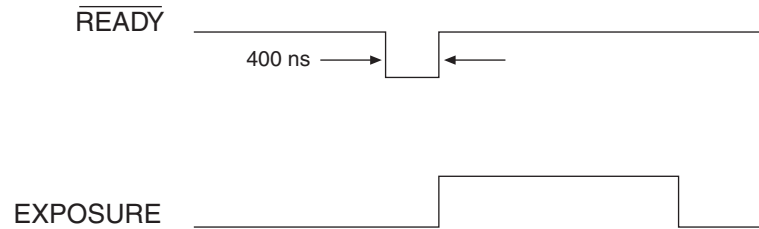


Figure 49. Free Run Mode Timing Diagram

**Example:** Figure 50 shows an experiment where the rising edge of the  $\overline{\text{READY}}$  signal is used to trigger a DG-535 Delay Generator, which provides the required delay and triggers a laser source, Q switch, or other device.

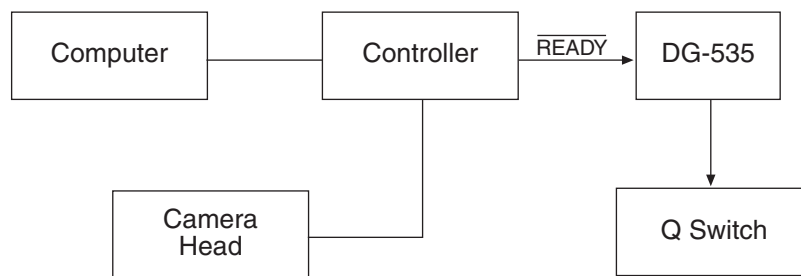


Figure 50. Setup using  $\overline{\text{READY}}$  to Trigger an Event

Figure 51 illustrates the timing for a typical experiment like that shown in Figure 50.

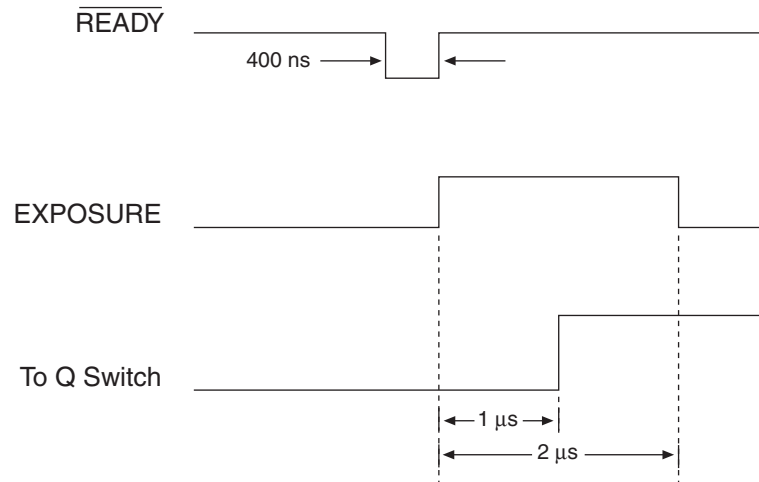


Figure 51. Timing for Experiment Setup shown in Figure 50

### Summary of Free Run Timing mode

- Allows you to capture single images.
- Requires that the switch, if present on the back of the camera, be set to **INACTIVE**.
- Uses Exposure Time set via software Experiment Setup.
- Exposure time range is  $1 \mu\text{s} < \text{Exp. Time} < 14.3 \text{ minutes}$
- Exposure does not occur until the mechanical shutter is completely open and readout does not begin until the mechanical shutter is completely closed.
- The mechanical shutter may, however, be disabled open.

The **READY** signal on the back of the controller may be used as a trigger to other external hardware. **READY** goes low when the system is ready to capture an image, then is reset high once exposure begins. In the **FREERUN** timing mode, this will be a short (400 ns to 600 ns) TTL 0 pulse.

### IEC (Internal Exposure Control)

In this mode, a single external trigger applied to **Ext Sync** initiates two successive image acquisitions of equal duration. The Exposure Time is set in software (Experiment Setup **Main** tab page and elsewhere) the same as in a standard system and can be as short as  $1 \mu\text{s}$ . On initiating the acquisition (**ACQ** button or **Acquire** on the Acquisition menu), the initialization routine runs and the shutter opens. When the shutter is completely open, **READY** drops low and remains in that state until an external trigger is applied to **Ext Sync**. Continuous cleaning takes place until the trigger is applied. When the trigger is sensed, the first exposure begins and the first image is captured (shifted under the masked columns and held there). The exposure for capture of the second image begins. This sequence is illustrated in Figure 52.

If an external trigger is applied before **READY** goes low, it will be ignored. Thus the trigger source could be running continuously at some repetition rate (as long as that rep rate is fairly slow), but capture wouldn't occur until **READY** goes low. Once that trigger comes in, it begins exposure of the first image. The exposure time is that set on the Experiment Setup **Main** tab page. For example, if the exposure time is set to  $5 \mu\text{s}$ , the first image will be  $5 \mu\text{s}$ . After an additional  $5 \mu\text{s}$  (second exposure), the shutter will begin to close. Even though the shutter takes  $\sim 8 \text{ ms}$  to close, the presumption is that the strobe will be timed to occur during the  $5 \mu\text{s}$  second exposure time. It would also be possible to strobe and capture while the shutter is in the act of closing. However, that would generally not be advisable because it would introduce non-linearity effects from the closing shutter. It is better to have capture occur during the time allotted for it. Once the shutter is closed, the readout begins. The first image captured is the first one read out.

**Example 1:** An external trigger initiates the imaging process. **READY** goes low when the system is ready. Once **READY** is low, an external trigger applied to **Ext Sync** initiates the double image capture. Figure 52 illustrates the timing for a typical IEC experiment with an exposure time of  $5 \mu\text{s}$ .



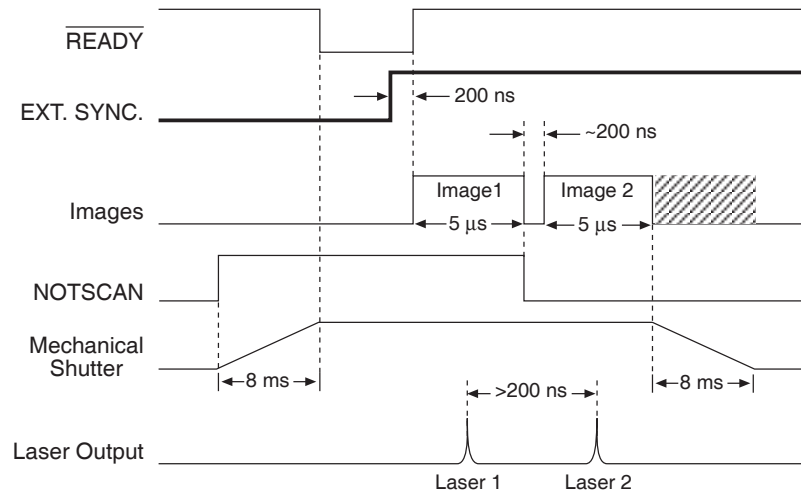


Figure 52. Timing Diagram for Typical IEC Measurement

Figure 53 illustrates the interconnections that might be used for such an experiment with two lasers. Figure 54 shows the timing for the two-laser experiment.

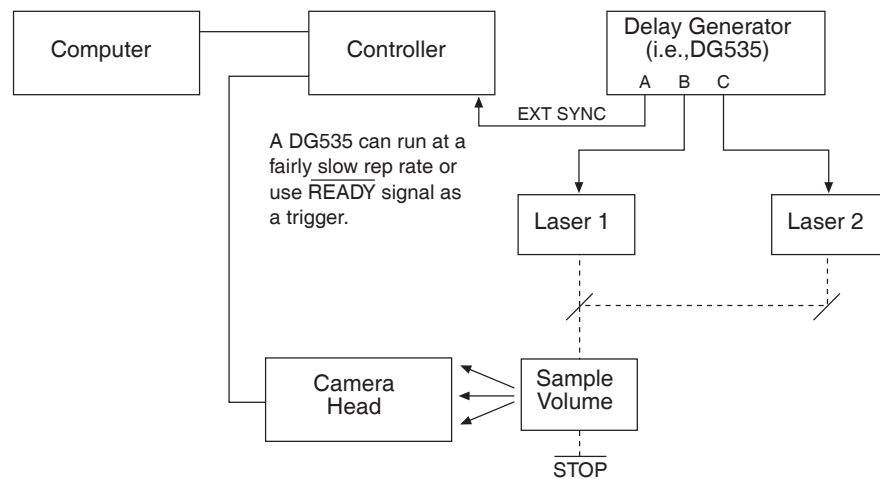


Figure 53. Setup for IEC Experiment with Two Lasers

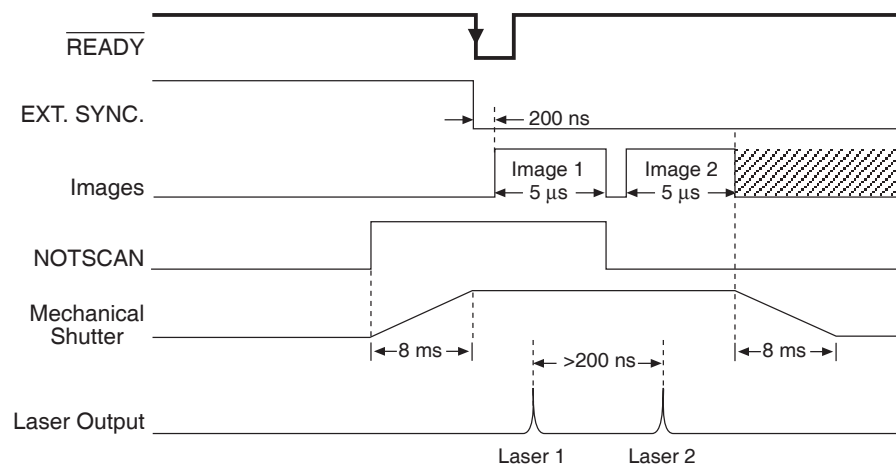


Figure 54. Timing Diagram for IEC Experiment with Two Lasers

**Example 2:** As shown in Figure 55, the **READY** signal from the controller can be used to trigger the controller by connecting it back into the **EXT SYNC** connector. At the same time, it can be used to trigger a DG-535.

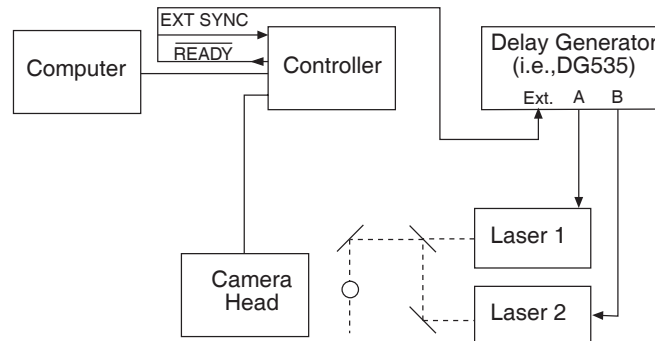


Figure 55. Another Hardware Setup for an IEC Measurement

**Note:** This setup will *not* work in the **EEC** mode or the **ESABI** mode.

### Summary of IEC Timing mode

- Gives the user the ability to capture two images before readout.
- Requires that the switch, if present on the back of the camera, be set to **INACTIVE**.
- The Exposure Time set in software on the Experiment Setup **Main** tab page becomes the exposure time of the first image and also the wait before closing the mechanical shutter.
- An external trigger is required to initiate the imaging process. The **READY** goes low when the system is ready. Once **READY** is low, an external trigger applied to the **EXT SYNC** connector initiates the double image capture.

### **EEC (External Exposure Control)**

Gives the user the ability to capture two images before readout with a different exposure time for each. EEC uses the external trigger to control the exposure time of the first image and the exposure time set in software to control the exposure time of the second image. When the external trigger applied to **Ext Sync** is detected, the first exposure begins. The end of the trigger marks the end of the first image and the start of the second. After an interval equal to the exposure time set on the Experiment Setup **Main** page, the shutter closes. As in the IEC mode, the system is receptive to an applied trigger when **READY** goes low. Note that the shutter can be disabled open. With the shutter disabled open, if reading out a full array, the second exposure time would actually last ~1.4 s. If reading out a single strip, the readout time (and hence the second exposure) would be much shorter, on the order of a few hundred microseconds. Generally though, the experiment timing would be set up so that the second strobed event would occur during the second image time as set by the Exposure Time parameter on the Experiment Setup **Main** page.

**Example:** The exposure time for the first image is controlled with the signal applied to the **EXT. SYNC** connector. The exposure time for the second image is the exposure time set in software under Experiment Setup. An external trigger supplied by the user is required to initiate the imaging process and control the

first image exposure time. The controller **READY** signal goes low when the camera is ready to begin imaging. Figure 56 illustrates an EEC timing example.

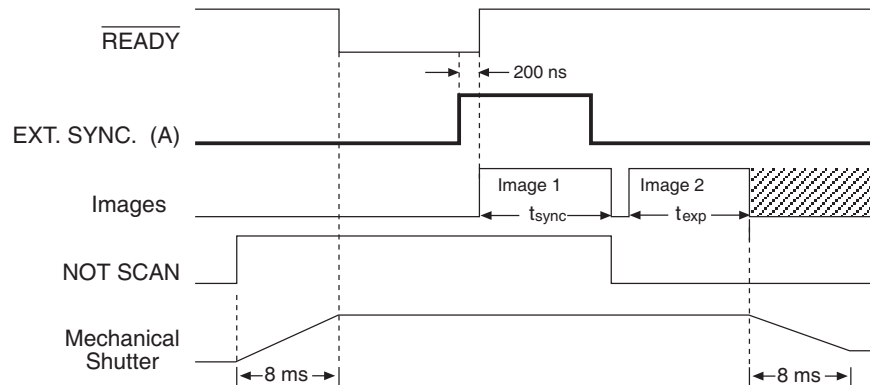


Figure 56. EEC Timing Example with Exposure Time in Software Set to  $t_{exp}$

### Summary of EEC Timing mode

- Enables double image capture under external control.
- Requires that the switch, if present on the back of the camera, be set to **INACTIVE**.
- The width of the pulse applied to **Ext Sync** sets the exposure time of the first image. The Exposure Time set in software on the Experiment Setup **Main** tab page sets the second image time, at the end of which the shutter begins to close.
- An external trigger is required to initiate the imaging process. The **READY** goes low when the system is ready. Once **READY** is low, an external trigger applied to the **Ext Sync** connector initiates the double image capture.

### ESABI (Electronic Shutter Active Between Images)

The last timing mode, ESABI, allows separation time between the two images. This mode gives the user the ability to capture two images and use the interline chip's electronic shutter feature between images so that no signal is integrated in the time between. The exposure time for both images is the same but they can be separated in time. Each time the camera is ready to receive a trigger, **READY** goes low. Thus **READY** goes low twice during each ESABI cycle and the controller can be triggered once by a sync pulse applied to **Ext Sync** each time. Thus two sync pulses are required, one for each image, during each double capture. The programmed Exposure Time as set on the Experiment Setup **Main** tab page sets the first image time and the time after the start of the second image time when the shutter begins to close. Figure 57 illustrates ESABI mode timing.

Note that charge produced by light impinging on the photosensors during the interval between the two images is discarded and does not affect the second image. The time between the first and second image can be as long as required according to the experimental requirements. This can be particularly useful in fluorescence measurements. By doing captures with different intervals between the two images, the fluorescence decay characteristics can be easily measured.

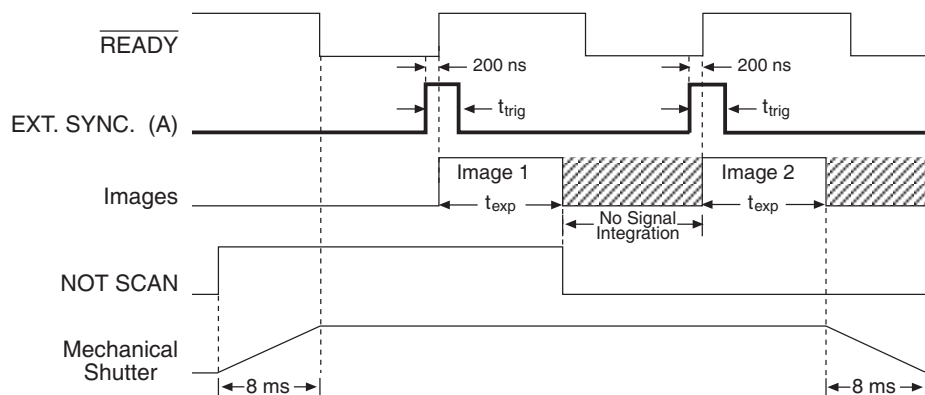


Figure 57. ESABI Timing Example: Image Exposure time =  $t_{exp}$  set in software

**Note:** The input trigger pulse,  $t_{trig}$ , must be shorter than the exposure time  $t_{exp}$ . Otherwise the second image will occur immediately after the first.

### Summary of ESABI Timing mode

- The exposure time selected in Experiment Setup sets the exposure time of both the first and second image.
- Requires that the switch, if present on the back of the camera, be set to **ACTIVE**.
- An externally derived trigger edge applied to **Ext Sync** is required to begin each image exposure period.
- **READY** goes low when the system is ready to capture *each* image.

## Tips and Tricks

### Lab Illumination

In DIF measurements, it is necessary to remain mindful of the possibility of laboratory light affecting the images. Because the first image can be timed with precision, laboratory light that reaches the camera would generally not be a problem in the first image, particularly if the capture time is short (few microseconds). The second image, on the other hand, is much more susceptible to degradation from laboratory illumination because, even though the second image time may be set to just a few microseconds, the time to close the shutter,  $\sim 8$  ms, must be added to that value. Light impinging on the photosensors during that time will be integrated with the second image. Unless the experiment is arranged so that background light can't reach the camera, or unless the signal is quite bright, the possibility of the second image becoming degraded must be considered. Where this is source of degradation is a problem, the solution may be to sharply reduce the laboratory illumination. It should be noted though, that the signal from many strobed measurements will be sufficiently bright to allow normal laboratory illumination to be maintained.

### Background Subtraction

In any of the double imaging modes, a good idea would be to block both of your light sources and go ahead and take two images in the same DIF mode and with the same settings as will be used for the real measurements. That result will be two background images that can later be subtracted from the experimental data images.

Background subtraction allows you to automatically subtract any constant background in your signal. This includes both constant offsets caused by the amplifier system in the controller as well as time-dependent (but constant for a fixed integration time) buildup of dark charge. The background subtract equation is:

$$(\text{Raw image data} - \text{Background}) = \text{Corrected image data.}$$

When background and flatfield operations are both performed, background subtraction is always performed first.

### ***Flatfield Correction***

Flatfield correction allows the user to divide out small nonuniformities in gain from pixel to pixel. Flatfield correction is done before the images are saved to RAM or disk. Directions for doing Flatfield correction are provided in the WinView/32 software manual.

### ***Mask Bleed-Through Correction***

As described previously, the first image is stored under the mask while the second image is being acquired. Although the mask is basically opaque (light attenuation is on the order of 4000:1), a small amount of illumination does get through and could influence some measurements. One solution would be to establish a correction file by taking the first image with the light source dark, and the second image with the light source on. Any bleed through the mask during the second image will appear in the first image. This data could then be stored and used later to correct “real” first images in a post-processing math operation.

*This page intentionally left blank.*

## Virtual Chip Mode

*Fully supported by WinView/WinSpec Version 2.5 when the communication protocol is TAXI (PCI), this feature is not supported when the protocol is USB 2.0.*

### Introduction

Virtual Chip mode (a WinView/32 option) is a special fast-acquisition technique that allows frame rates in excess of 100 fps to be obtained. For the Virtual Chip selection to be present, it is necessary that:

- the system be a 1 MHz MicroMAX,
- that the camera have a frame transfer chip (MicroMAX:512BFT) and,
- that the file Wxvchip.opt be present in the same directory as the executable WinView/32 program. *Contact Technical Support for information regarding the availability of Wxvchip.opt.*

This method of data acquisition requires that the chip be masked as shown in Figure 58. Masking can be achieved by applying a mechanical or optical mask or by positioning a bright image at the ROI against a dark background on the remainder of the array.

In operation, images are continually piped down the CCD at extraordinarily high frames per second (FPS). The mini-frame transfer region is defined by an ROI as illustrated in Figure 58. The charge from this ROI is shifted under the frame-transfer mask, followed by a readout cycle of an ROI-sized region under the mask. Since the ROI is far from the serial register, the stored image is just shifted repeatedly with the readout and the first few images collected will not contain useful data. After the readout period, the next frame is shifted under the mask and another ROI sized frame is read out. The net result is a series of images, separated by spacer regions, streaming up the CCD under the mask.

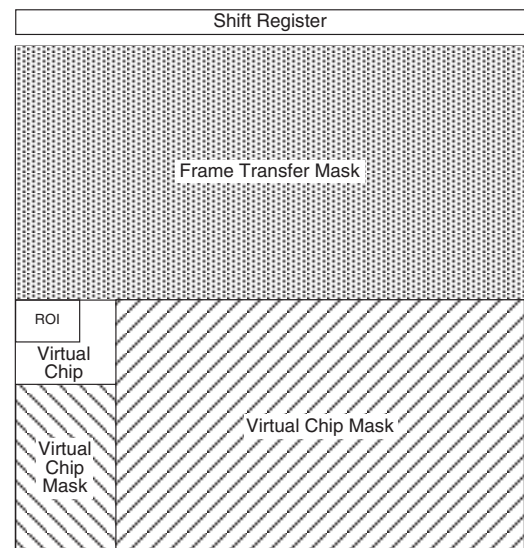


Figure 58. Virtual Chip Functional Diagram

The table below shows the minimum exposure time per frame (msec/Frame) and the number of frames per second (FPS) for several ROIs. Note that these numbers are provided for the 1 MHz and the 100 kHz readout rates.

ROI	1 MHz		100 kHz	
	(msec/Frame)	(FPS)	(msec/Frame)	(FPS)
164 x 164	29.8	33.6	287	3.5
96 x 96	10.9	91.7	102	9.8
84 x 84	8.65	115	79.8	12.5
64 x 64	5.26	190	47.6	21.0
56 x 56	4.22	237	37.4	36.7
47 x 47	3.08	324	26.9	37.2
36 x 36	1.97	507	16.6	60.2
30 x 30	1.51	662	12.2	82.0

Table 14. MicroMAX:512BFT: Virtual Chip Size, Exposure Time, and Frames per Second

## Virtual Chip Setup

### Introduction

If the Virtual Chip mode option has been installed, both WinView/32 and WinSpec/32 will support this technique. The following procedure covers the basic hardware and software setup for Virtual Chip operation.

**Note:** The Virtual Chip dialog box is discussed in detail in the next section.

### Equipment:

MicroMAX with 512x512FT CCD array  
 Suitable ST-133  
 PCI Interface Card and High Speed Serial (TAXI) cable  
 Suitable Host Computer

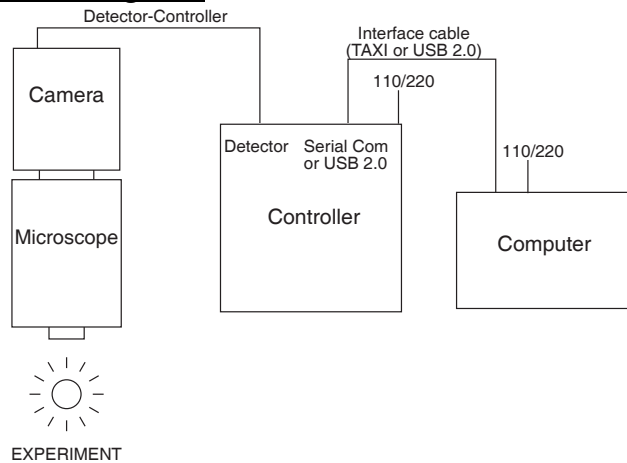
### Software:

WinView/32, version 2.4 or higher  
 WXvchip.opt installed in the same directory as the executable WinView/32 program

### Assumptions:

- You are familiar with the WinView/32 software and have read the hardware manuals.
- Masking is for a 47x47 pixel Virtual Chip with its origin at 1,1.



**System Connection Diagram:***Figure 59. System Diagram***Procedure:**

1. Verify that the power is **OFF** for **ALL** system components (including the host computer).
2. Verify that the correct line voltages have been selected and that the correct fuses have been installed in the ST-133.
3. Connect the TAXI cable to the interface card at the host computer and to the **Serial Com** connector at the rear of the Controller. Tighten down the locking screws.
4. Connect the **Camera-Controller** cable to the **Detector** connector on the rear of the Controller and to the **Detector** connector at the rear of the camera. Tighten down the locking screws.
5. If it has not been installed already, connect a line cord from the Power Input module on the back of the Controller to a suitable AC power source.
6. Turn on the Controller.
7. Turn on the host computer and select the WinView/32 icon.
8. From the **Setup** menu, select **Hardware**, and enter the following settings:

**Controller/CCD tab card**

- **Controller:** MicroMAX
- **Controller Version:** 5
- **CCD Type:** appropriate frame transfer array (EEV 512x512FT, for this procedure)
- **Shutter Type:** None
- **LOGIC OUT Output:** Shutter
- **Readout Mode:** Frame Transfer

**Interface tab card**

- **Type:** the appropriate interface card. For this procedure, the selection is High Speed PCI.

**Cleans/Skips tab card**

- **Number of Cleans:** 1
- **Number of Strips per Clean:** 512
- **Minimum Block Size:** 2
- **Number of Blocks:** 5

9. From the **Acquisition** menu, select **Experiment Setup** and enter the following settings:

**Main tab card**

- **Exposure Time:** Enter a value. The exposure time can either be greater than the readout time or it can be equal to the readout time. If you want an exposure time > readout time, enter a value larger than the readout time calculated when the virtual chip definition was downloaded. If you want an exposure time = readout time, enter 000 sec.
- **Number of Images:** Enter the desired number of images.
- **Use Region of Interest**
- **Accumulations:** 1

**ADC tab card**

- **Type:** FAST

**ROI Setup tab card:** Make no changes to the settings on this tab card unless you have re-enabled Normal Operating Mode. ROI setup for Virtual Chip (High Speed Mode) is performed through the Virtual Chip dialog box.

10. From the **Setup** menu, select **Virtual Chip**, and enter the following settings:

- **High Speed Mode Enabled**
- **Virtual Chip Definition:** The settings below assume a 47x47 pixel virtual chip. The X and Y dimensions are established by the external mask. The virtual chip is fully flexible in the X direction. However, the set of choices for the Y-dimension has been pre-selected for optimal performance. Note that the origin point that Princeton Instruments uses for a CCD array is 1,1.
- **Chip Y Dimension:** 47. Select this dimension from the drop down list.
- **Chip X Dimension:** 47. Enter this dimension manually.

11. Click on the **Load Default Values** button. This enters the default ROI values. These values are: Start pixels of 1,1; End pixels based on the Chip Y and Chip X dimensions; and Groups of 1.
  - **Region of Interest:** The settings below assume a 47x47 pixel ROI (i.e., the entire virtual chip). An ROI that is a subset of the virtual chip can be defined.
 

<b>X Start:</b> 1	<b>Y Start:</b> 1
<b>X End:</b> 47	<b>Y End:</b> 47
<b>X Group:</b> 1	<b>Y Group:</b> 1
  - Click on the **Download Virtual Chip Definition** button. This will download the definition, set up the ROI, and calculate the readout time.
  - Observe the calculated readout time. If you need a shorter period, change the settings (for example, enter a smaller Y-dimension or use binning in the Y-direction) and click on the **Download Virtual Chip Definition** button again.
  - Click on **Close**.
12. From the **Setup** menu, select **Environment**.
 

**Note:** When setting up for focusing, the number of Frames/Interrupt should be left at 1.

  - **DMA Buffer (Mb):** By default, the buffer size is 8 Mb. Using the following formula, calculate the amount of DMA memory required:  

$$X \times Y \times \#Frames \times (2 \text{ bytes/pixel}).$$
 For example, the buffer size required for a 47x47 virtual array acquiring 1000 frames would be  $47 \times 47 \times 1000 \text{ frames} \times (2 \text{ bytes/pixel}) = 4.4 \text{ Mb}$ . If the calculated value is greater than 8 Mb, enter the appropriate size.
 

**Note:** This value is not enabled until you restart your computer.
  - **Frames/Interrupt:** If the number of frames is greater than 256 (the pre-programmed slot limit for a PCI card), increase the number of Frames/Interrupt value. Use the formula  $\#Frames/256$  and round the result to the next highest integer to calculate that value. For example, 1000 frames/256 will result in 3.9, so enter 4.
 

**Note:** This value should be 1 for Focus mode.
13. Click on **OK** after you have finished entering the Environment settings.
14. Place a suitable target in front of the camera and click on **Focus** to verify that the camera is seeing the target.
15. Make any focusing, gain, or other adjustments necessary to fine-tune the image.
16. Stop running in **Focus** mode.
17. Now click on **Acquire**.

### **Experimental Timing**

Triggering can be achieved through the software via the **Software Trigger** timing mode (selectable on the **Experiment Setup** dialog box, **Timing Mode** tab page) or it can be

achieved via the **Ext Sync** input on the rear of the camera. Triggering from the **Ext Sync** input allows you to acquire a single image per TTL pulse. If **Software Trigger** has been selected, back-to-back collection of the requested number of images will be initiated when **Acquire** is selected: no further TTL trigger input is required.

### Virtual Chip dialog box

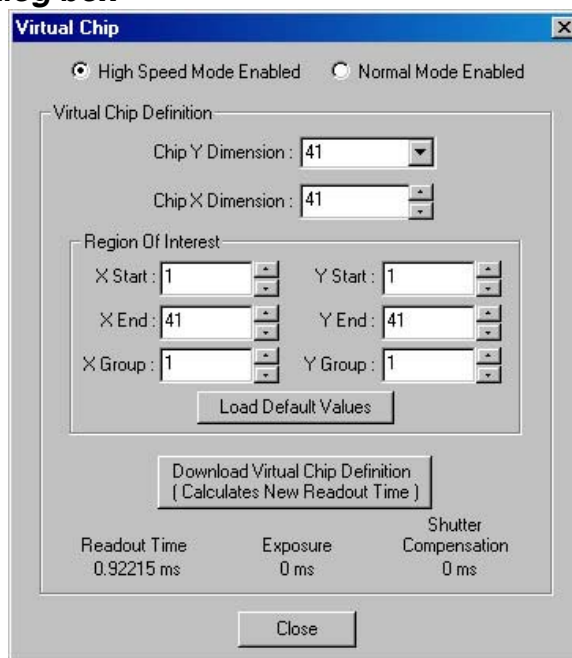


Figure 60. Virtual Chip dialog box.

Clicking Virtual Chip on the **Setup** menu displays the **Virtual Chip** dialog box. When the High Speed Mode Enabled radio button is selected, all of the fields and buttons on the box will be activated as shown in Figure 60.

**Mode:** Radio buttons allow the choice of High Speed Mode Enabled and Normal Mode Enabled. In the normal mode, the external masks would ordinarily be withdrawn, allowing normal frame-transfer operation. All of the parameter settings on the screen are grayed out if Normal Mode Enabled is selected. When High Speed Mode Enabled is selected, high speed frame rates using the virtual chip can be obtained as described above.

**Chip Y Dimension:** This is the Y range established by the external mask.

**Chip X Dimension:** This is the X range established by the external mask.

**ROI:** The X and Y Start, End and Binning (Group) values can be entered. The ROI can be as large as the virtual chip area established by the external mask or a subregion.

**Load Default Values:** Fills in the region of interest X and Y End values based on the Chip X and Y Dimension entries. By default, the ROI origin is at 1,1 and the Group values are both 1.

**Download Virtual Chip Definition:** Sends the virtual chip parameter values to the controller's non-volatile memory. If a virtual chip definition is already stored there, you will be given an overwrite warning.

**Readout Time:** Reported readout time that will result with the current virtual-chip parameter values.

**Exposure Time:** Reported current exposure time that will result with the value entered in the Experiment Setup dialog box.

**Shutter Compensation Time:** Reported value; depends on selected shutter type.

**Close:** Closes Virtual Chip dialog box.

### ***Tips***

◆ If mechanical masking is used, the mask can be a static one (fixed dimensions) in which case, multiple masks should be made to accommodate a variety of imaging conditions. Alternatively, a more flexible mask can be manufactured by taking two thin metal sheets with a square hole the size of the exposed region of the CCD cut in the center. This would be  $512 \times 512$  pixels at 15 microns per pixel =  $7.68 \text{ mm} \times 7.68 \text{ mm}$  for the MicroMAX. These masks should be anodized black to prevent reflections in the optical system and they should be very flat. These two sheets can then be slid relative to one another to achieve any rectangular shape required. The sheets should be placed flat in the optical plane and their openings should be centered on the optical axis. Ideally they should be able to move with an accuracy of 2-3 pixels per step (30-45 microns) in the X and Y directions.

Consult the factory for off-the-shelf optical masking accessories

- ◆ Running the camera in Free Run mode with 0.0 msec exposure time will result in the fastest acquisition time. Under these conditions, the acquisition time is limited by the readout time of the ROI (exposure time  $\equiv$  readout time).
- ◆ When you return the system to "Normal" chip mode (radio button on Virtual Chip dialog box), you should also open the Experiment Setup dialog box at the ROI Setup tab card and click on the ClearAll button to clear the ROI setup downloaded for Virtual Chip operation.
- ◆ If frame acquisition appears to be slow in Focus mode, check the Frames/Interrupt value on the Environment dialog box and reset the value to 1 if it is greater than 1.
- ◆ When processing large stacks of data, you may want to use a third-party scientific image processing package.

Due to CCD design, you may see some edge artifacts when acquiring data from the entire virtual chip. Crop these artifacts by defining an ROI that is slightly smaller than the virtual chip dimensions.

*This page intentionally left blank.*

# Chapter 9

## Troubleshooting

---

**WARNING!** Do not attach or remove any cables while the MicroMAX system is powered on.

### Introduction

The following issues have corresponding troubleshooting sections in this chapter.

Baseline Signal Suddenly Changes	Page 112
Camera Stops Working	Page 112
Camera1 (or similar name) in Camera Name field	Page 112
Changing the ST-133's Line Voltage and Fuses	Page 113
Controller is Not Responding	Page 114
Cooling Troubleshooting	Page 114
Data Loss or Serial Violation	Page 115
Data Overrun Due to Hardware Conflict message	Page 116
Data Overrun Has Occurred message	Page 116
Demo is only Choice on Hardware Wizard:Interface dialog (Versions 2.5.19.0 and earlier)	Page 117
Demo, High Speed PCI, and PCI(Timer) are Choices on Hardware Wizard:Interface dialog (Versions 2.5.19.0 and earlier)	Page 118
Detector Temperature, Acquire, and Focus are Grayed Out (Versions 2.5.19.0 and earlier)	Page 120
Error Creating Controller message	Page 121
Error Occurs at Computer Powerup	Page 121
No CCD Named in the Hardware Wizard:CCD dialog (Versions 2.5.19.0 and earlier)	Page 124
Program Error message	Page 124
Removing/Installing a Plug-In Module	Page 125
Securing the Detector-Controller Cable Slide Latch	Page 127
Serial violations have occurred. Check interface cable.	Page 128
Shutter Malfunctions	Page 128

## Baseline Signal Suddenly Changes

If you observe a sudden change in the baseline signal, you may have excessive humidity in the vacuum enclosure of the camera. Turn off the controller and have the camera repumped before resuming normal operation. *Contact the factory Technical Support Dept. for information on how to refresh the vacuum. See page 164 for contact information.*

## Camera Stops Working

Problems with the host computer system or software may have side effects that appear to be hardware problems. If you are sure the problem is in the camera system hardware, begin with these simple checks:

- Turn off all AC power.
- Verify that all cables are securely fastened and that all locking screws are in place.
- Check for a burned-out fuse in the Controller power module. For information about changing a fuse, see "*Changing the ST-133's Line Voltage and Fuses*" on page 113.
- Correct any apparent problems and turn the system on.
- If you hear 2 clicks separated by 1 second (shutter opening then closing), the shutter is working. Call Princeton Instruments Customer Service for further instructions.

If the system still does not respond, contact Princeton Instruments Customer Support.

## Camera1 (or similar name) in Camera Name field



Figure 61. Camera1 in Camera Name Field

When a PVCAM-based camera is detected/selected during the Camera Detection wizard (formerly the Hardware Setup wizard), a default name such as Camera1 will be shown in the Detected Hardware table and will be entered in the **Camera Name** field on the **Setup|Hardware|Controller/CCD** tab page. Because this name is not particularly descriptive, you may want to change it. Such a change is made by editing the PVCAM.INI file that is generated by Camera Detection wizard (or by the RSConfig.exe if you have a software version 2.5.19.0 or earlier).

### To change the default Camera Name:

1. Using **Notepad** or a similar text editor, open **PVCAM.INI**, which is located in the Windows directory (C:\WINNT, for example). You should see entries like the ones that follow.

```
[Camera_1]
Type=1
Name=Camera1
```



```
Driver=apausb.sys
Port=0
ID=523459
```

- Change the "Name=" entry to something more meaningful for you (for example, ST133USB - to indicate that this is a PVCAM-based system using an ST-133 with a USB 2.0 interface) and save the edited file.

```
[Camera_1]
Type=1
Name=ST133USB
Driver=apausb.sys
Port=0
ID=523459
```

- The new camera name will now appear in the **Camera Name** field.

## Changing the ST-133's Line Voltage and Fuses

The appropriate voltage setting for your country is set at the factory and can be seen on the back of the power module. If your voltage source changes, you will need to change the voltage setting and you may need to change the fuse configuration.

**WARNING!** Use proper fuse values and types for the controller and detector to be properly protected.

### To Change Voltage and Fuse Configuration:

**WARNING!** Before opening the power module, turn the Controller OFF and unplug the powercord.

- As shown in Figure 62, place the flat side of a flat bladed screwdriver parallel to the back of the Controller and behind the small tab at the top of the power module, and twist the screwdriver slowly but firmly to pop the module open.
- To change the voltage setting, roll the selector drum until the setting that is closest to the actual line voltage is facing outwards.
- Confirm the fuse ratings by removing the two white fuse holders. To do so, simply insert the flat blade of the screwdriver behind the front tab of each fuse holder and gently pry the assembly out.
- Refer to the Fuse/Voltage label (above or below the Power Module) to see which fuses are required by the selected voltage. If Controller power switch is on the back of the ST-133, the Fuse/Voltage label is located below the Power Module.

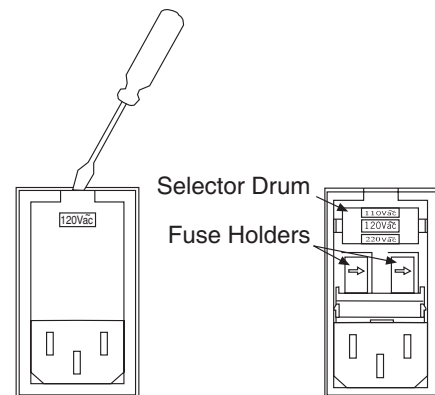


Figure 62. Power Input Module

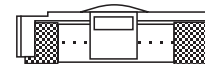


Figure 63. Fuse Holder

5. After inspecting and if necessary, changing the fuses to those required by the selected voltage, reinstall the holders with the arrow facing to the right.
6. Close the power module and verify that the correct voltage setting is displayed.
7. Verify that the Controller power switch is in the OFF position and then plug the powercord back into the power module.

## Controller Is Not Responding

If this message pops up when you click on **OK** after selecting the "Interface Type" during **Hardware Setup** (under the WinView/32 **Setup** menu), the system has not been able to communicate with the Controller. Check to see if Controller has been turned ON and if the interface card, its driver, and the interface cable have been installed.

- If the Controller is ON, the problem may be with the interface card, its driver, interrupt or address conflicts, or the cable connections.
- If the interface card is not installed, close WinView/32 and turn the Controller OFF. Follow the interface card installation instructions in provided with your interface card and cable the card to the SERIAL COM port on the rear of the Controller. Then do a "Custom" installation of WinView/32 with the appropriate interface component selected: "PCI Interface" or "ISA Interface", depending on the interface card type. Be sure to deselect the interface component that does not apply to your system.

**Note:** WinView/32 (versions 2.6.0 and higher) do not support the ISA interface.

- If the interface card is installed in the computer and is cabled to the SERIAL COM port on the rear of the Controller, close WinView/32 and turn the Controller OFF. Check the cable connections and tighten the locking screws if the connections are loose.
- If the interface card was installed after WinView/32 has been installed, close WinView/32 and do a "Custom" installation of WinView/32 with the appropriate interface component selected: "PCI Interface" or "ISA Interface", depending on the interface card type. Be sure to deselect the interface component that does not apply to your system.

**Note:** WinView/32 (versions 2.6.0 and higher) do not support the ISA interface.

## Cooling Troubleshooting

### ***Temperature Lock cannot be Achieved or Maintained.***

Possible causes could include:

- The vacuum has deteriorated and needs to be refreshed.
- The connectors of the cable that interconnects the controller and the camera need to be secured.
- The target array temperature is not appropriate for your particular camera and CCD array.

- For a TE-cooled camera, the camera's internal temperature may be too high, such as might occur if the operating environment is particularly warm or if you are attempting to operate at a temperature colder than the specified limit. TE-cooled detectors are equipped with a thermal-protection switch that shuts the cooler circuits down if the internal temperature exceeds a preset limit. Typically, camera operation is restored automatically in about ten minutes. Although the thermo-protection switch will protect the camera, you are nevertheless advised to power down and correct the operating conditions that caused the thermal-overload to occur.

### ***Detector loses Temperature Lock***

The internal temperature of the camera is too high. This might occur if the operating environment is particularly warm or if you are trying to operate at a temperature colder than the specified limit. If this happens, an internal thermal overload switch will disable the cooler circuits to protect them. Typically, camera operation is restored in about ten minutes. Although the thermal overload switch will protect the camera, users are advised to power down and correct the operating conditions that caused the thermal overload to occur. *With some versions of the software, the **indicated** temperature when the camera is in thermal overload (thermal switch is in the cut-out state) is -120° C.*

### ***Gradual Deterioration of Cooling Capability***

With time, there will be a gradual deterioration of the camera's vacuum. This, in turn, will eventually affect temperature performance and it may no longer be possible to achieve temperature lock at the lowest temperatures. In the kind of low-light applications for which cooled CCD detectors are so well suited, it is highly desirable to maintain the system's temperature performance because lower temperatures provide less thermal noise and better signal-to-noise ratio.

Vacuum deterioration occurs primarily as a result of outgassing of components in the vacuum chamber. Because outgassing normally diminishes with time, the rate of vacuum deterioration in new detectors will be faster than in old ones. When the camera no longer maintains an acceptable cold temperature, *contact the factory Technical Support Dept. to make arrangements for returning the camera to have the vacuum restored. See page 164 for contact information.*

**WARNING!** Do not open the vacuum valve under any circumstances. Opening the vacuum valve will void your warranty.

## **Data Loss or Serial Violation**

You may experience either or both of these conditions if the host computer has been set up with Power Saving features enabled. This is particularly true for power saving with regard to the hard drive. Make sure that Power Saving features are disabled while you are running WinView/32.

## Data Overrun Due to Hardware Conflict message

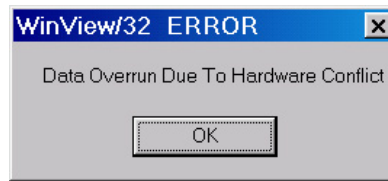


Figure 64. Data Overrun Due to Hardware Conflict dialog box

If this dialog box appears when you try to acquire a test image, acquire data, or run in focus mode, check the CCD array size and then check the DMA buffer size. You may need to increase the DMA setting.

### To change the DMA buffer setting:

1. Note the array size (on the **Setup|Hardware|Controller/CCD** tab page or the **Acquisition|Experiment Setup|Main** tab page Full Chip dimensions).
2. Open **Setup|Environment|Environment** dialog box.
3. Increase the DMA buffer size to a minimum of 32 Mb (64 Mb if it is currently 32 Mb or 128 Mb if it is currently 64 Mb), click on **OK**, and close the WinX application.
4. Reboot your computer.
5. Restart the WinX application and begin acquiring data or focusing. If you see the message again, increase the DMA buffer size.

## Data Overrun Has Occurred message

Because of memory constraints and the way that USB transfers data, a "Data overrun has occurred" message may be displayed during data acquisition. If this message is displayed, take one or more of the following actions:

1. Minimize the number of programs running in the background while you are acquiring data with the WinX application.
2. Run data acquisition in Safe Mode.
3. Add memory.
4. Use binning.
5. Increase the exposure time.
6. Defragment the hard disk.
7. Update the Orange Micro USB2 driver. See *"To Update the OrangeUSB 2.0 Driver"*, page 32.

If the problem persists, your application may be USB 2.0 bus limited. Since the host computer controls the USB 2.0 bus, there may be situations where the host computer interrupts the USB 2.0 port. In most cases, the interrupt will go unnoticed by the user. However, there are some instances when the data overrun cannot be overcome because USB 2.0 bus limitations combined with long data acquisition times and/or large data sets increase the possibility of an interrupt while data is being acquired. If your experiment requirements include long data acquisition times and/or large data sets, your application may

not be suitable for the USB 2.0 interface. Therefore, we recommend replacement of the USB 2.0 interface module with our TAXI interface module and Princeton Instruments (RSPI) PCI card. If this is not the case and data overruns continue to occur, contact Technical Support (see page 164 for contact information).

## Demo is only Choice on Hardware Wizard:Interface dialog (Versions 2.5.19.0 and earlier)

If RSConfig.exe has not been run and there is not an installed Princeton Instruments (RSPI) high speed PCI card, the Hardware Wizard will only present the choice "Demo" in the Interface dialog box (Figure 65). Clicking on **Next** presents an "Error Creating Controller. Error=129." message, clicking on **OK** presents "The Wizard Can Not Continue Without a Valid Selection!" message, clicking on **OK** presents the Interface dialog box again.

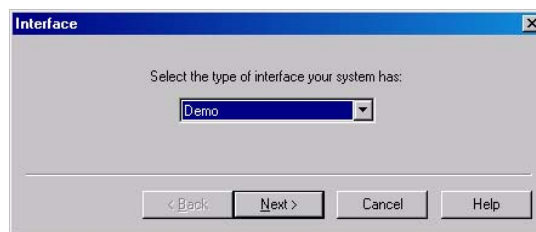


Figure 65. Hardware Wizard: Interface dialog box

At this point, you will need to exit WinView and run the RSConfig.exe program, which creates a file called PVCAM.INI. This file contains information required to identify the interface/camera and is referenced by the Hardware Wizard when you are setting up WinView/32 with USB for the first time:

1. If you have not already done so, close WinView/32.
2. Make sure the ST-133 is connected to the host computer and that it is turned on.
3. Run RSConfig from the **Windows|Start|Programs|PI Acton** menu or from the directory where you installed WinView.
4. When the RSConfig dialog box (Figure 66) appears, you can change the camera name to one that is more specific or you can keep the default name "Camera1". When you have finished, click on the **Done** button.

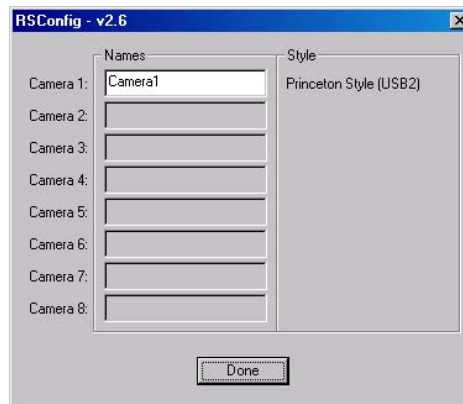


Figure 66. RSConfig dialog box

5. You should now be able to open WinView and, from **Setup|Hardware...**, run the Hardware Wizard.
6. When the PVCAM dialog box (Figure 67) is displayed, click in the **Yes** radio button, click on **Next** and continue through the Wizard. After the Wizard is finished, the **Controller/Camera** tab card will be displayed with the **Use PVCAM** checkbox selected. You should now be able to set up experiments and acquire data.



Figure 67. Hardware Wizard: PVCAM dialog box

## Demo, High Speed PCI, and PCI(Timer) are Choices on Hardware Wizard:Interface dialog (Versions 2.5.19.0 and earlier)

If there is an installed Princeton Instruments (RSPI) high speed PCI card in the host computer and you want to operate a camera using the USB 2.0 interface, the PVCAM.INI file (created by RSConfig.exe) must exist and the USB 2.0 supported camera must be [Camera\_1]. PVCAM.INI, which contains information required to identify the interface/camera, is referenced by the Hardware Wizard when you are setting up WinView/32 with USB for the first time. If the Wizard did not find a PVCAM.INI file or if RSConfig.exe was run but the USB 2.0 camera is [Camera\_2] in the PVCAM.INI file, "Demo", "High Speed PCI", and "PCI(Timer)" will be selectable from the Wizard's Interface dialog box.

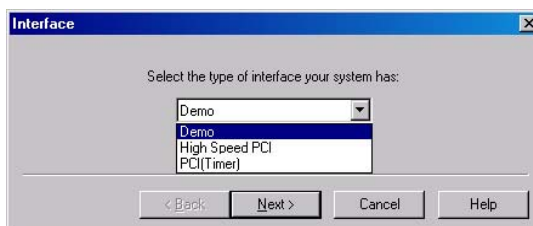


Figure 68. Hardware Wizard: Interface dialog box

At this point, you will need to run the RSConfig.exe program:

1. If you have not already done so, close WinView/32.
2. Make sure the ST-133 is connected to the host computer and that it is turned on.
3. Run RSConfig from the **Windows|Start|Programs|PI Acton** menu or from the directory where you installed WinView.
4. When the RSConfig dialog box (Figure 69) appears, you can change the camera name to one that is more specific or you can keep the default name "Camera2". When you have finished, click on the **Done** button.

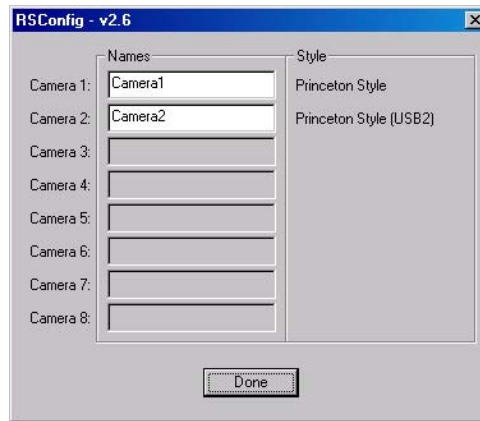


Figure 69. RSConfig dialog box: Two Camera Styles

- Using **Notepad** or a similar text editor, open PVCAM.INI, which is located in the Windows directory (C:\WINNT, for example).

If the contents of the file look like: Change the headings so the contents now look like:

[Camera_1]	→	[Camera_2]
Type=1		Type=1
Name=Camera1		Name=Camera1
Driver=rspipci.sys		Driver=rspipci.sys
Port=0		Port=0
[Camera_2]	→	[Camera_1]
Type=1		Type=1
Name=Camera2		Name=Camera2
Driver=apausb.sys		Driver=apausb.sys
Port=0		Port=0

**Note:** The [Camera #] must be changed so the camera supported by the USB interface will be recognized (the USB driver is "apausb.sys"). For consistency, you may also want to change the camera names.

- Save the file. With the ST-133 connected and on, open WinView/32.
- Run the Hardware Wizard.
- When the PVCAM dialog box (Figure 70) is displayed, click in the **Yes** radio button, click on **Next** and continue through the Wizard. After the Wizard is finished, the **Controller/Camera** tab card will be displayed with the **Use PVCAM** checkbox selected. You should now be able to acquire data.



Figure 70. Hardware Wizard: PVCAM dialog box

## Detector Temperature, Acquire, and Focus are Grayed Out (Versions 2.5.19.0 and earlier)

These functions and others will be deactivated if you have installed a camera being run under USB 2.0 and have opened WinView/32 without having first turned on the ST-133. They will also be deactivated if you have installed a camera being run under USB 2.0 and a Princeton Instruments high speed PCI card was also detected when RSConfig.exe was run.

1. Check to see if the ST-133 is connected to the host computer and is turned on. If it is not connected or is connected but not turned on, go to Step 2. If it is connected and on, go to Step 3.
2. Close WinView, verify that the ST-133 is connected to the host computer, turn on the ST-133, and reopen WinView. The formerly grayed out functions should now be available.
3. If the ST-133 is connected and on, the USB 2.0 camera may not be listed as Camera 1 in the PVCAM.INI file.
4. Run RSConfig.exe (accessible from the **Windows|Start|Programs|PI Acton** menu). If the USB 2.0 camera is listed as Camera 2 (Princeton Style (USB2) in Figure 71), you will have to edit the PVCAM.INI file.

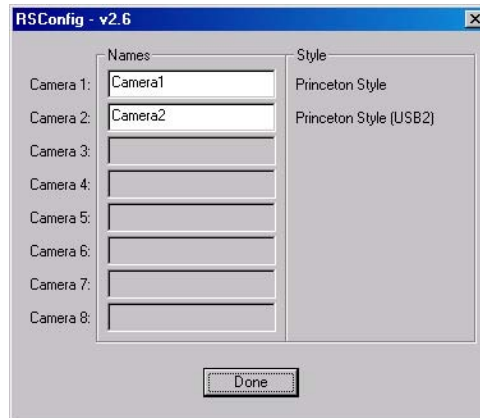


Figure 71. RSConfig dialog box: Two Camera Styles

5. Using **Notepad** or a similar text editor, open PVCAM.INI, which is located in the Windows directory (C:\WINNT, for example).

If the contents of the file look like: Change the headings so the contents now look like:

[Camera_1]	→	[Camera_2]
Type=1		Type=1
Name=Camera1		Name=Camera1
Driver=rspipci.sys		Driver=rspipci.sys
Port=0		Port=0
[Camera_2]	→	[Camera_1]
Type=1		Type=1
Name=Camera2		Name=Camera2
Driver=apausb.sys		Driver=apausb.sys
Port=0		Port=0



**Note:** The [Camera #] must be changed so the camera supported by the USB interface will be recognized (the USB driver is "apausb.sys"). For consistency, you may also want to change the camera names.

6. Save the file. With the ST-133 connected and on, open WinView/32. The formerly grayed out functions should now be available.

## Error Creating Controller message

This message may be displayed if you are using the USB 2.0 interface and have not run the RSConfig.exe program (see previous topic), if the PVCAM.INI file has been corrupted, or if the ST-133 was not turned on before you started WinView/32 and began running the Hardware Wizard.

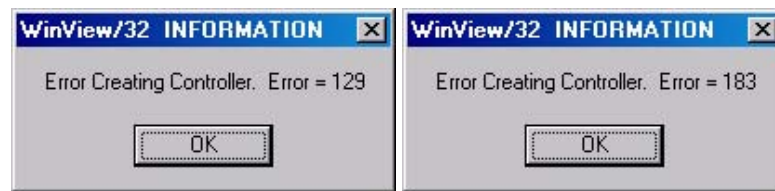


Figure 72. Error Creating Controller dialog box

**Error 129:** Indicates that the problem is with the PVCAM.INI file. Close WinView/32, run RSConfig, make sure the ST-133 is on, reopen WinView, and begin running the Hardware Wizard.

**Error 183:** Indicates that the ST-133 is off. If you are running the Hardware Wizard when this message appears, click on **OK**, turn on the ST-133, and, on the PVCAM dialog box, make sure **Yes** is selected and then click on **Next**. The Hardware Wizard should continue to the Controller Type dialog box.

## Error Occurs at Computer Powerup

If an error occurs at boot up, either the interface card is not installed properly or there is an address or interrupt conflict. Turn off the computer, reinstall the interface card (make sure it is firmly seated), and reboot the system.

If an error occurs while you are using the WinView/32 program, check the interface selection on the **Hardware Setup|Interface** tab page (WinView/32). If the current choice is "High Speed PCI", change the selection to "PCI(Timer)". If the problem goes away, you can either correct the interrupt conflict or you can continue using PCI(Timer) for data transfer (data transfer is controlled by a polling timer rather than interrupts). Note that data transfer can be slower in PCI(Timer) mode on slower computers.

### Conflicts

One of the many advantages that PCI offers over ISA is that the whole issue of address and interrupt assignments is user transparent and under BIOS control. As a result, users typically do not have to be concerned about jumpers or switches when installing a PCI card. Nothing more should be required than to plug in the card, make the connections, and operate the system. As it turns out, however, in certain situations conflicts may nevertheless occur and user intervention will be required to resolve them.

Typical PCI motherboards have both ISA and PCI slots and will have both PCI and ISA cards installed. In the case of the ISA cards, the I/O address and Interrupt assignments

will have been made by the user and the BIOS will not know which addresses and interrupts have been user assigned. When a PCI card is installed, the BIOS checks for available addresses and interrupt levels and automatically assigns them so that there are no *PCI* address or interrupt conflicts. However, because the BIOS doesn't know about the user-assigned ISA I/O address and interrupt level assignments, it is possible that a PCI card will be assigned an address or interrupt that is already assigned to an ISA card. If this happens, improper operation will result. Specifically, the problems could range from erratic operation under specific conditions to complete system failure. If such a conflict occurs, because the user has no control over the PCI address and interrupt assignments, there will be no recourse but to examine the ISA assignments and change them to values which do not conflict. Most (but by no means all) ISA cards make provision for selecting alternative I/O addresses and interrupt levels so that conflicts can be resolved. Software is available to help identify specific conflicts.

The following example may serve to illustrate the problem. Suppose you had a system with an ISA network card, a PCI video card and an ISA sound card. Further suppose that you were then going to install a PCI Serial Buffer card. Before installing the PCI Serial card, the I/O address and interrupt assignments for the installed cards might be as follows.

Slot Type	Status	I/O Address	Interrupt
1 (ISA)	ISA Network Card	200-210	11
2 (PCI)	PCI Video Card	FF00-FFFF	15
3 (ISA)	ISA Sound Card	300-304	9
4 (PCI)	Empty	N/A	N/A

*Table 15. I/O Address & Interrupt Assignments  
before Installing Serial Card*

As shown, there are no conflicts, allowing the three peripheral cards to operate properly. If the PCI Serial card were then installed, the BIOS would interrogate the PCI cards and may reassign them new address and interrupt values as follows.

Slot Type	Status	I/O Address(s)	Interrupt
1 (ISA)	ISA Network Card	200-210	11
2 (PCI)	PCI Video Card	FE00-FEFF	11
3 (ISA)	ISA Sound Card	300-304	9
4 (PCI)	Princeton Instruments (RSPI) PCI Serial Card	FF80-FFFF	15

*Table 16. I/O Address & Interrupt Assignments  
after Installing Serial Card*

As indicated, there is now an interrupt conflict between the ISA Network Card and the PCI Video card (both cards have been assigned Interrupt 11), causing the computer to no longer function normally. This doesn't mean that the PCI Serial card is defective because the computer stops functioning properly when the Serial card is installed. What it does mean is that there is an interrupt conflict that can be resolved by changing the interrupt

level on the conflicting Network card in this example. It is up to the user to consult the documentation for any ISA cards to determine how to make the necessary change.

**Note:** Changing the order of the PCI cards, that is, plugging them into different slots, could change the address and interrupt assignments and possibly resolve the conflict. However, this would be a trial and error process with no guarantee of success.

### Diagnosics Software

Many diagnostics programs, both shareware and commercial, are available to help resolve conflicts. Most often, all that's required is a program that will read and report the address and interrupt assignments for each PCI device in the computer. One such program available from Princeton Instruments' Technical Support department is called PCICHECK. When the program is run, it reports the address and interrupt assignments for the first PCI device it finds. Each time the spacebar is pressed, it moves on to the next one and reports the address and interrupt assignments for that one as well. In a few moments this information can be obtained for every PCI device in the computer. Note that, even though there are generally only three PCI slots, the number of PCI devices reported may be larger because some PCI devices may be built onto the motherboard. A good strategy for using the program would be to run it before installing the PCI Serial card. Then run it again after installing the card and note any address or interrupt assignments that may have changed. This will allow you to easily focus on the ones that may be in conflict with address or interrupt assignments on ISA cards. It might be noted that there are many programs, such as the MSD program supplied by Microsoft, that are designed to read and report address and interrupt assignments, including those on ISA cards. Many users have had mixed results at best using these programs.

### Operation

There are no operating considerations that are unique to the PCI Serial card. The card can easily accept data as fast as any Princeton Instruments system now available can send it. The incoming data is temporarily stored in the card's memory, and then transferred to the main computer memory when the card gains access to the bus. The PCI bus arbitration scheme assures that, as long as every PCI card conforms to the PCI guidelines, the on-board memory will never overflow.

Unfortunately, there are some PCI peripheral cards that do *not* fully conform to the PCI guidelines and that take control of the bus for longer periods than the PCI specification allows. Certain video cards (particularly those that use the S3 video chip) are notorious in this respect. Usually you will be able to recognize when memory overflow occurs because the displayed video will assume a split-screen appearance and/or the message **Hardware Conflict** will be displayed (WinView/32). At the same time, the LED on the upper edge of the PCI Serial card will light.

Users are thus advised not to take any actions that would worsen the possibility of memory overflow occurring when taking data. In that regard, avoid multitasking while taking data. Specific operations to avoid include multitasking (pressing ALT TAB or ALT ESC to start another program), or running a screensaver program.

## No CCD Named in the Hardware Wizard: CCD dialog (Versions 2.5.19.0 and earlier)

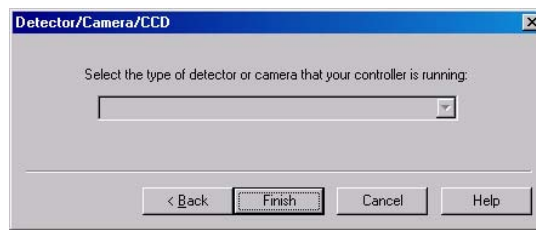


Figure 73. Hardware Wizard: Detector/Camera/CCD dialog box

If you have installed a USB 2.0 Interface Module in your ST-133, a blank field may be displayed in the Detector/Camera/CCD dialog box (Figure 73) if the ST-133 controller was made before January 2001. Earlier versions of the ST-133 did not contain non-volatile RAM (NVRAM), which is programmed with information about the controller and the camera. PVCAM, the program under which the Princeton Instruments USB works, retrieves the information stored in NVRAM so it can enter specific camera characteristics into WinView/32.

Check the serial label on underside of your controller. If the first five characters are D1200 (December 2000) or earlier (J0797 or July 1997, for example), contact Customer Support to find out about an NVRAM controller upgrade.

## Program Error message

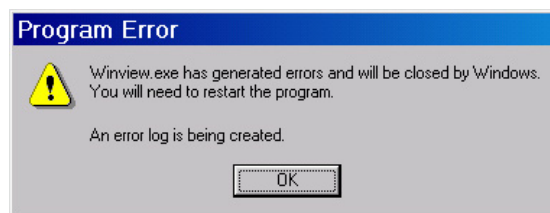


Figure 74. Program Error dialog box

This dialog may appear if you have tried to acquire a test image, acquire data, or run in focusing mode and the DMA buffer size is too small.

### To correct the problem:

1. Click on **OK**.
2. Reboot the WinX application.
3. Note the array size (on the **Setup|Hardware|Controller/CCD** tab page or the **Acquisition|Experiment Setup|Main** tab page Full Chip dimensions). If your camera contains a large array (such as a 2048x2048 array), and the DMA buffer size is too small, there will not be enough space in memory for the data set.
4. Open **Setup|Environment|Environment** dialog box.
5. Increase the DMA buffer size to a minimum of 32 Mb (64 Mb if it is currently 32 Mb or 128 Mb if it is currently 64 Mb), click on **OK**, and close the WinX application.
6. Reboot your computer.

- Restart the WinX application and begin acquiring data or focusing. If you see the message again, increase the DMA buffer size.

## Removing/Installing a Plug-In Module

The ST-133 Controller has three plug-in slots. The Analog/Control module (leftmost slot when the controller is viewed from the rear) and the Interface Control module (either a TAXI or a USB 2.0 compatible module in the middle slot) are always provided. For MicroMAX systems, the third slot is covered with a blank panel.

If a module is ever removed for any reason, internal settings should **not** be disturbed. Changing a setting could radically alter the controller's performance. Restoring normal operation again without proper equipment and guidance would be very difficult, and it might be necessary to return the unit to the factory for recalibration.

### WARNING!

- Always turn the Controller OFF before removing or installing a module. If a module is removed or installed when the controller is powered, permanent equipment damage could occur which would not be covered by the warranty.
- Before handling any boards, take precautions to prevent electrostatic discharge (ESD). The modules are susceptible to ESD damage. Damage caused by improper handling is not covered by the Warranty.

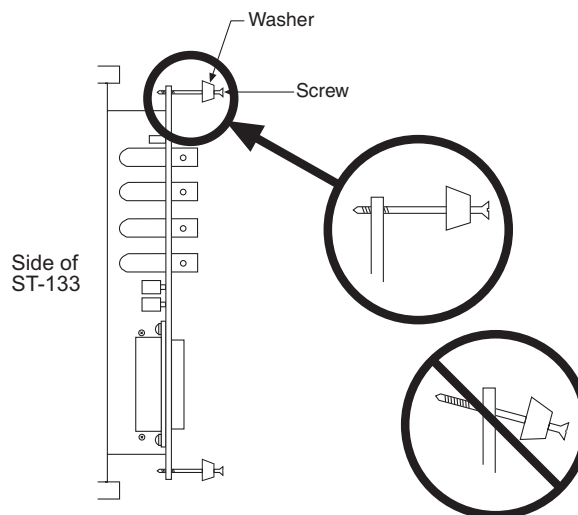


Figure 75. Module Installation

### To Remove a Module:

- Verify that the Controller has been turned OFF.
- Rotate the two locking screws (one at the top of the module and one at the bottom) counterclockwise until they release from the chassis.
- Then, grasp the module and pull it straight out.
- Set the module aside in a safe place. If you are replacing it with another module, as in the case of exchanging a TAXI module with a USB 2.0 module, you may be able to use the packaging from the new module to store the module being replaced. This

packaging is usually an antistatic bag that will protect the module components from electrostatic discharge.

### To Install a Module:

Installing a module is a bit more complex because you first have to be sure the locking screws are aligned correctly. The following procedure is suggested.

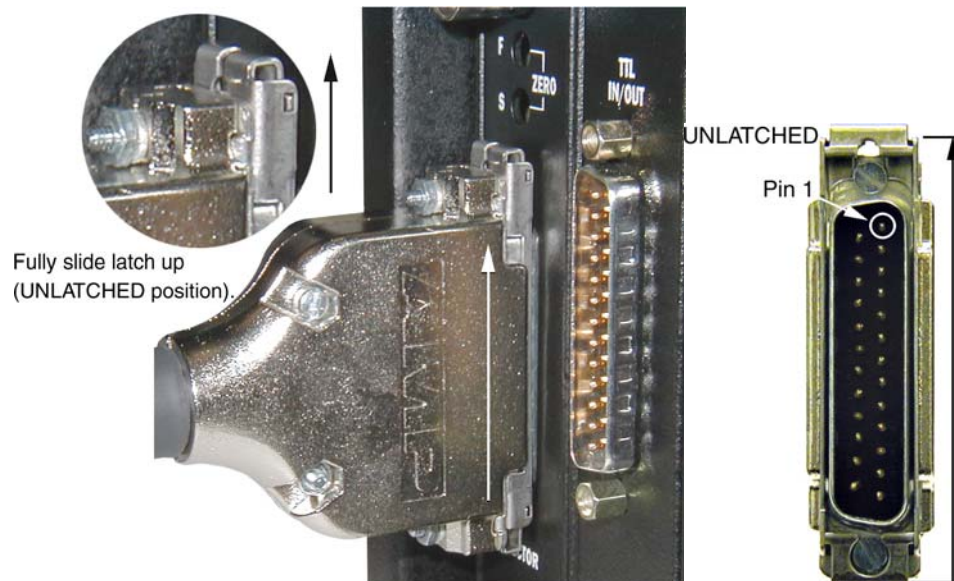
1. Verify that the Controller has been turned OFF.
2. Remove the replacement module from its antistatic packaging. This packaging is designed to protect the module components from electrostatic discharge.
3. Rotate the two locking screws counterclockwise until the threads on the screws engage those of the module panel. *See Figure 75.* By doing this, the screws will be perfectly perpendicular to the module panel and will align perfectly when the module is inserted.
4. Insert the module so that the top and bottom edges of the board are riding in the proper guides.
5. Gently but firmly push the module in until the 64-pin DIN connector at the back of the module mates with the corresponding connector on the backplane, leaving the module panel resting against the controller back panel.
6. Rotate the two locking screws clockwise. As the screws are rotated, they will first disengage from the module panel threads, and then begin to engage those of the bracket behind the controller panel.

**WARNING!** Tighten the screws to where they are just snug. Do *not* tighten them any further because you could easily bend the mating bracket.

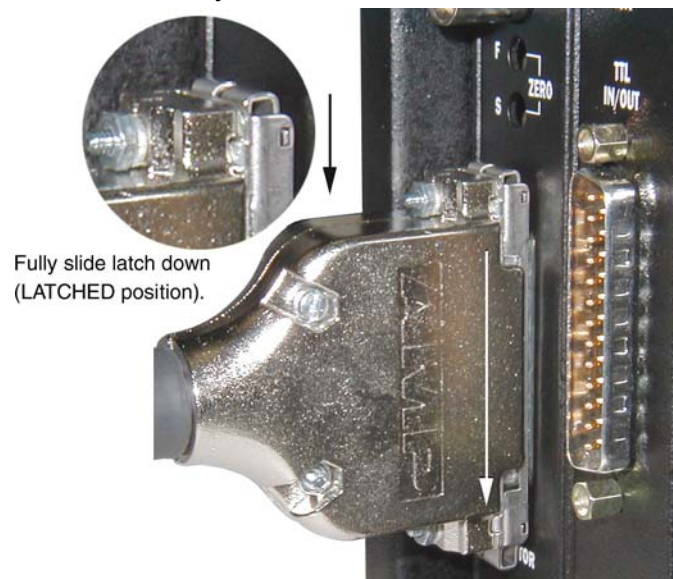
## Securing the Detector-Controller Cable Slide Latch

Some Princeton Instruments Detector-Controller cables use a slide latch to secure the Detector-Controller cable to the DETECTOR connector on the back of the ST-133. Incorrectly plugging this cable into the connector and improperly securing the slide latch may prevent communication with the MicroMAX (the camera may appear to stop working).

1. Before trying to plug in the cable, slide the latch up (toward Pin 1). Then, plug the cable into the DETECTOR connector on the ST-133.



2. Slide the latch down. You may hear a click when the latch locks.



3. Verify that the connector is fully secured.

If you are having trouble sliding the latch, slightly pull the connector out and then slide the latch into its locked position.

## Serial violations have occurred. Check interface cable.

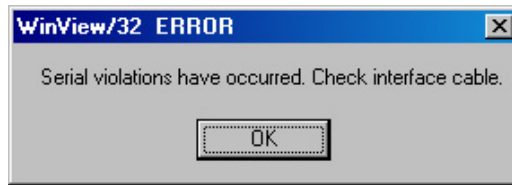


Figure 76. Serial Violations Have Occurred dialog box

This error message dialog will appear if you try to acquire an image or focus the camera and either (or both) of the following conditions exists:

- The camera system is not turned ON.
- There is no communication between the camera and the host computer.

### To correct the problem:

1. Turn **OFF** the camera system (if it is not already OFF).
2. Make sure the Detector-Controller cable is secured at both ends and that the computer interface cable is secured at both ends.
3. After making sure that the cables are connected, turn the camera system power **ON**.
4. Click **OK** on the error message dialog and retry acquiring an image or running in focus mode.

**Note:** This error message will also be displayed if you turn the camera system OFF or a cable comes loose while the application software is running in Focus mode.

## Shutter Malfunctions

- Verify that the correct shutter setting has been selected on the rear of the Controller. Refer to Table 1 on page 21.
- If you are using a 25 mm remote-mounted shutter and it suddenly stops running, its built-in thermal interlock may have been triggered. Stop the experiment and wait. The shutter should resume functioning when it has cooled down sufficiently, typically within an hour. Avoid repeating the conditions (such as high repetition rate) that lead to the shutter overheating, or take breaks between data collections.
- If the shutter no longer operates at all, sticks open or closed causing overexposed or smeared images, or a shutter leaf has broken and no longer actuates, contact the factory to arrange for a shutter-replacement repair.



# Appendix A

## Specifications

### CCD Arrays

#### **Spectral Range**

Typically: 370-900 for MicroMAX:512BFT  
 350-1000 for MicroMAX:1024B and 1024BFT  
 400-1000 for MicroMAX:782Y and 782YHS  
 430-1050 for MicroMAX:512FT, 1024, and 1024FT  
 300-1080 for MicroMAX:1300Y, 1300YHS, and 1300YHS-DIF

#### **Types**

The following list is not necessarily current. Other chips may also be available. Contact the factory for up-to-date information.

Model	CCD (WinView/32 Name)	Pixel Format	Pixel Size	CCD Type
512FT	EEV CCD57-10 (EEV 512×512 FT CCD57)	512 × 512	13 × 13 μm	100 kHz/1 MHz, Front-illuminated, Frame transfer
512BFT	EEV CCD57-10 (EEV 512×512 FT CCD57)	512 × 512	13 × 13 μm	100 kHz/1 MHz, Back-illuminated, Frame transfer
782Y	Sony ICX075 (PID 582×782)	782 × 582	8.3 × 8.3 μm	1 MHz, Interline
1024	EEV 47-10 (EEV 1024×1024 CCD47_10)	1024 × 1024	13 × 13 μm	100 kHz/1 MHz, Front-illuminated, Full-frame
1024B	EEV 47-10 (EEV 1024×1024 CCD47_10)	1024 × 1024	13 × 13 μm	100 kHz/1 MHz, Back-illuminated, Full- frame
1024FT	EEV 47-20 (EEV 1024×1024FT CCD47_20)	1024 × 1024	13 × 13 μm	100 kHz/1 MHz, Front-illuminated, Frame transfer
1024BFT	EEV 47-20 (EEV 1024×1024FT CCD47_20)	1024 × 1024	13 × 13 μm	100 kHz/1 MHz, Back-illuminated, Frame transfer
1300Y	Sony ICX061 (PID 1030×1300)	1300 × 1030	6.7 × 6.7 μm	1 MHz, Interline

Table 17. MicroMAX Model and CCD Types Cross Reference

## Temperature Control

**Setting Mechanism:** Temperature is set by the application software.

**Display:** The actual temperature can be displayed at the computer by the application software.

**Range:** At 25° ambient, the MicroMAX camera will typically lock to:

- -15°C with passive cooling and with the camera under vacuum.
- -30°C with the accessory fan installed and under vacuum.

**Time to Lock:** At 25° ambient, <10 minutes (typical) to temperature lock at -15° C

**Control Precision:** ±0.050°C over entire temperature range

## Cooling

**Passive:** CCD array cooled by Peltier device. Heat is radiated away by cooling fins on body of the round head camera.

**Supplemental Air Cooling:** The rectangular head camera has an internal fan that draws air in from the vents in the camera shell, circulates it past the internal cooling fins, and then exhausts the warmed air back into the atmosphere.

## Mounting

**Camera:** There are four ¼" x 20 UNC 3/8" deep threaded holes on the body of the camera to facilitate mounting.

**Lens:** Camera will accept either "C-mount" (threaded) or "F-mount" (bayonet) lenses, according to the mount specified at time of order.

**Microscope:** Adapters are available for mounting to most research microscopes. See Chapter 4 for more information.

## Shutters

The round head camera does not have an internal shutter. The rectangular head camera is supplied with either a 25 mm internal shutter (C-mount) or a 35 mm internal shutter (F-mount).\* The Shutter Compensation times listed below are based on the values used by the WinView/32 program.

Shutter	Shutter Comp. Time
None	200 nsec
Electronic	6.0 msec
Remote (Princeton Instruments supplied 23 mm, typically a slit shutter)	8.0 msec
Small (Princeton Instruments supplied 25 mm)	8.0 msec
Large (Princeton Instruments supplied 35 mm)	28.0 msec

Table 18. Shutter Compensation Times

## Inputs

**EXT SYNC:** TTL input (BNC) to allow data acquisition to be synchronized with external events. Sense can be positive or negative going as set in software. Synchronization and Trigger Modes are discussed in Chapter 6.

## Outputs

**VIDEO:** 1 V pk-pk from 75  $\Omega$ , BNC connector. Either RS-170 (EIA) or CCIR standard video as specified when system was ordered. Requires connection via 75  $\Omega$  cable that must be terminated into 75  $\Omega$ .

**SCAN:** TTL output (BNC) for monitoring detector status. *Logic output is software-selectable as either NOT SCAN or SHUTTER.* When the logic output is NOT SCAN, it is at a TTL low when CCD is being read; otherwise high. When the logic output is SHUTTER, the output precisely brackets shutter-open time (exclusive of shutter compensation) and can be used to control an external shutter or to inhibit a pulser or timing generator. Default selection is SHUTTER.

**READY:** TTL output (BNC); marks start of *first* exposure. When run is initiated, remains high until completion of cleaning cycles preceding *first* exposure, then goes low and remains low for duration of run.

**SERIAL COM:** Data link to computer via proprietary cable connected to this 9-pin "D" connector. Cable lengths to 165 feet (50 m) available.

**USB 2.0:** Data link to computer via USB cable inserted at this connector. Cable length of 5 meters is standard. Other lengths may be available. Contact Customer Service for more information.

---

\* The 35 mm shutter requires a controller having the 70 V shutter drive modification. Controllers having this option cannot be used with cameras with the 25 mm shutter.

## Programmable Interface

TTL I/O at DB25 connector. Eight input bits and eight output bits are provided for control via the TTL connector. Refer to "*TTL Control*", starting on page 85, for more information.

## A/D Converter

**Converter range:** 12 bits

**Readout Rate:** Fast, 1 MHz (alternatively 500 kHz); Slow, 100 kHz. Contact factory for information on other A/D converters.

**Linearity:** better than 1%.

**Readout noise:** 1-1.3 counts RMS on standard systems

**Exposure (integration time):** 5 msec to 23 hours (full frame or frame transfer)

## Computer Requirements

The MicroMAX is most commonly used with a Pentium computer configured as follows.

**Type:** Any Pentium (or better) PC having a free slot for the Serial Buffer card (PCI is standard; other types may be available).

**Memory (RAM):** Minimum of 32 Mbytes; possibly more depending on experiment design and size of CCD Array.

**Operating System:** Windows 95/ME/2000/XP or Windows NT for WinView/32. *Windows 3.1 required for 16-bit versions of WinView.*

**Interface:** PCI High-Speed Serial I/O card is standard. Other types may be available. Contact factory for information.

**Note:** Macintosh II support may be available. Contact factory for details.

## Miscellaneous

**Dimensions:** See Appendix B.

### Camera Weight:

Round Head: 3 lb max (1.58 kg) for C-mount; 3.5 lb (1.35 kg) max for F-mount,

Rectangular Head: 7 lb (3.2 kg) max for C-mount; 7 lb (3.2 kg) max for F-mount,

**Controller Weight:** 12 lb (5.4 kg) max

**Power Requirements:** Nominally 100,120, 220 or 240 VAC, 47-63 Hz, 200 watts; required DC voltages are generated in the controller. Power to camera is applied via controller cable.

**Environmental Requirements:** Storage temperature  $\leq 50^{\circ}$  C; Operating temperature range over which specifications can be met is  $18^{\circ}$  C to  $23^{\circ}$  C; Relative humidity  $\leq 50\%$  noncondensing.

**TTL Requirements:** Rise time  $\leq 40$  nsec, Duration  $\geq 100$  nsec.

# Appendix B

## Outline Drawings

### Detectors

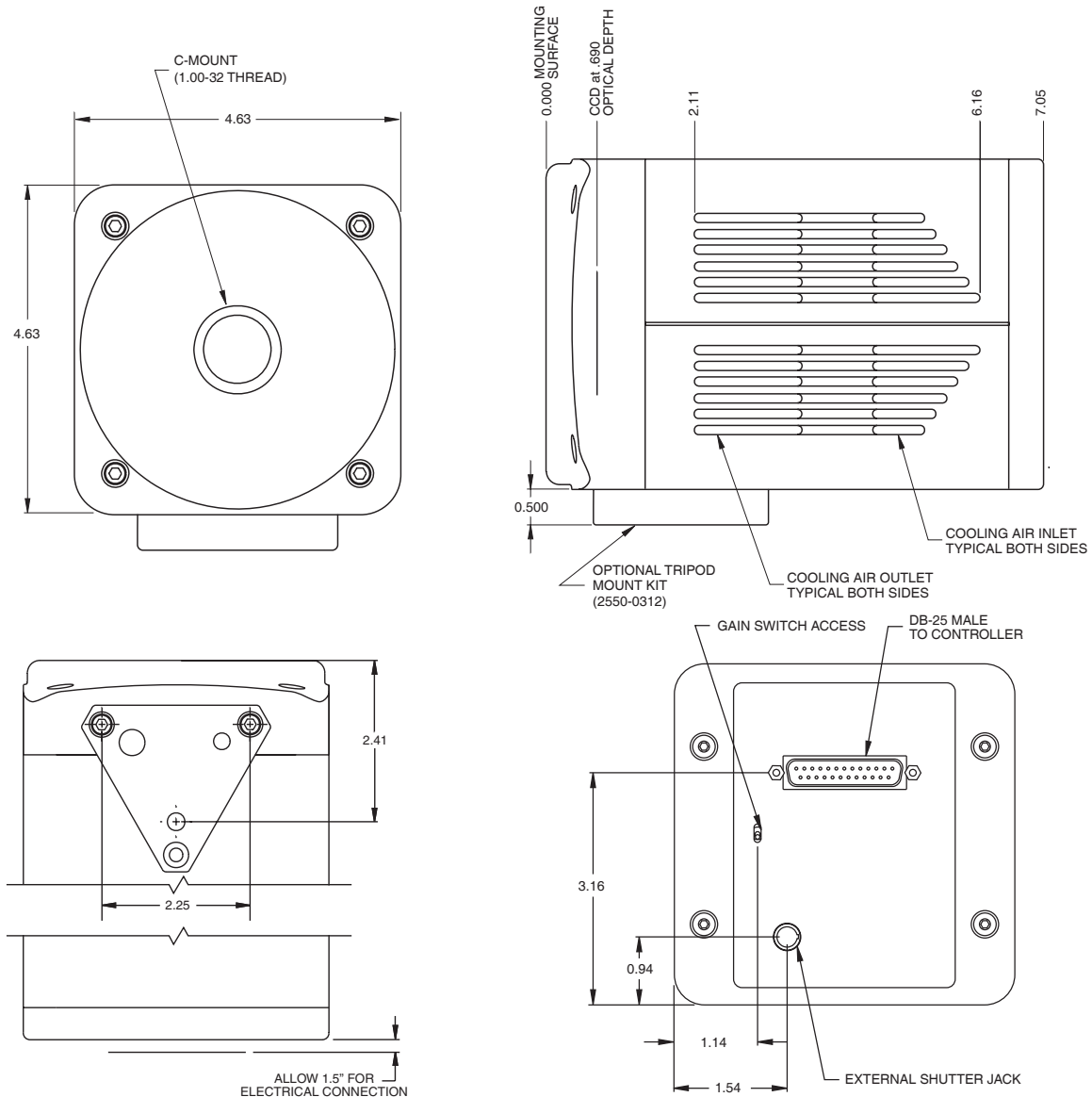


Figure 77. Rectangular Camera Head: C-Mount

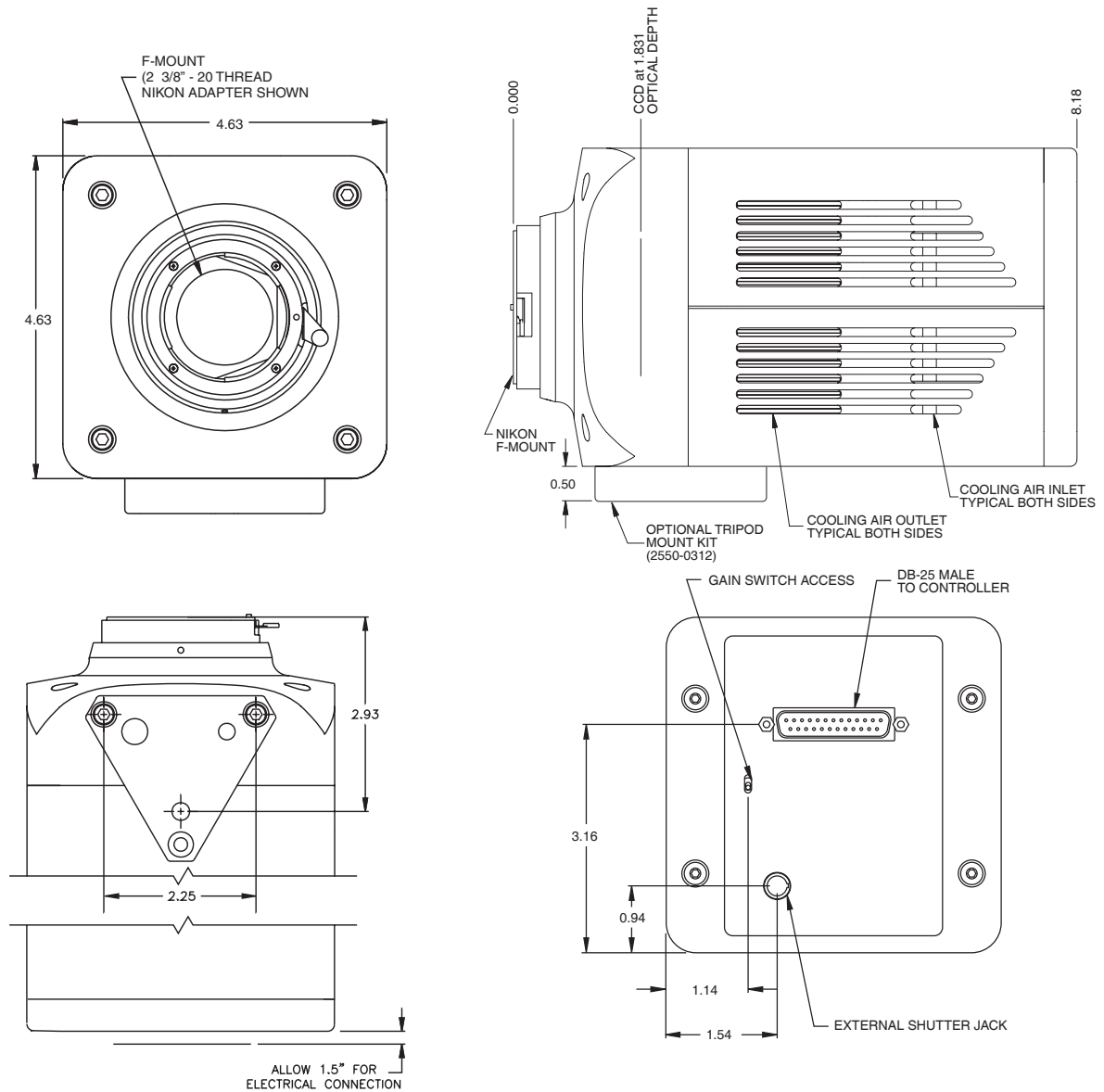


Figure 78. Rectangular Camera Head: F-Mount

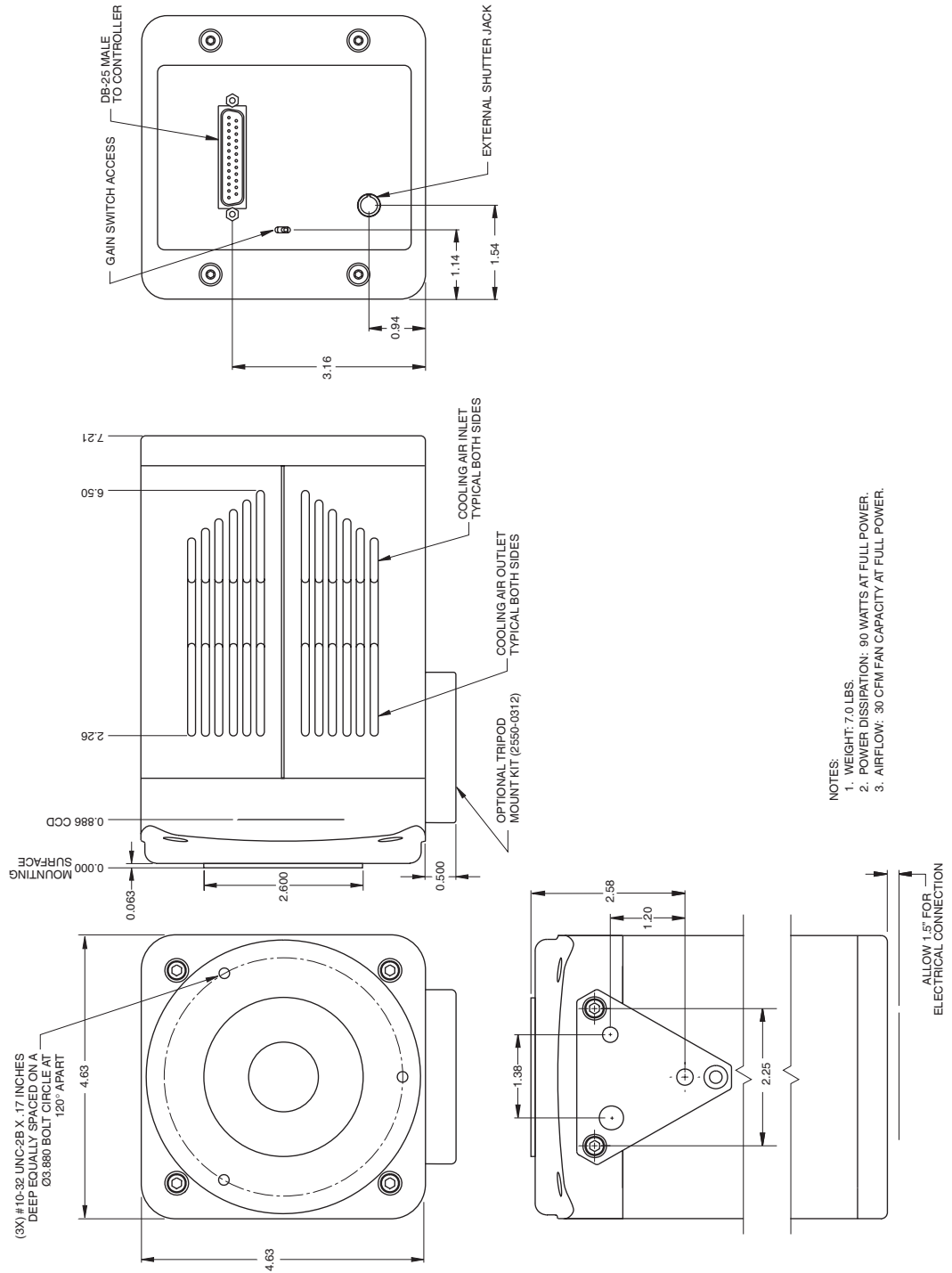


Figure 79. Rectangular Camera Head: Spectroscopy Mount with Shutter

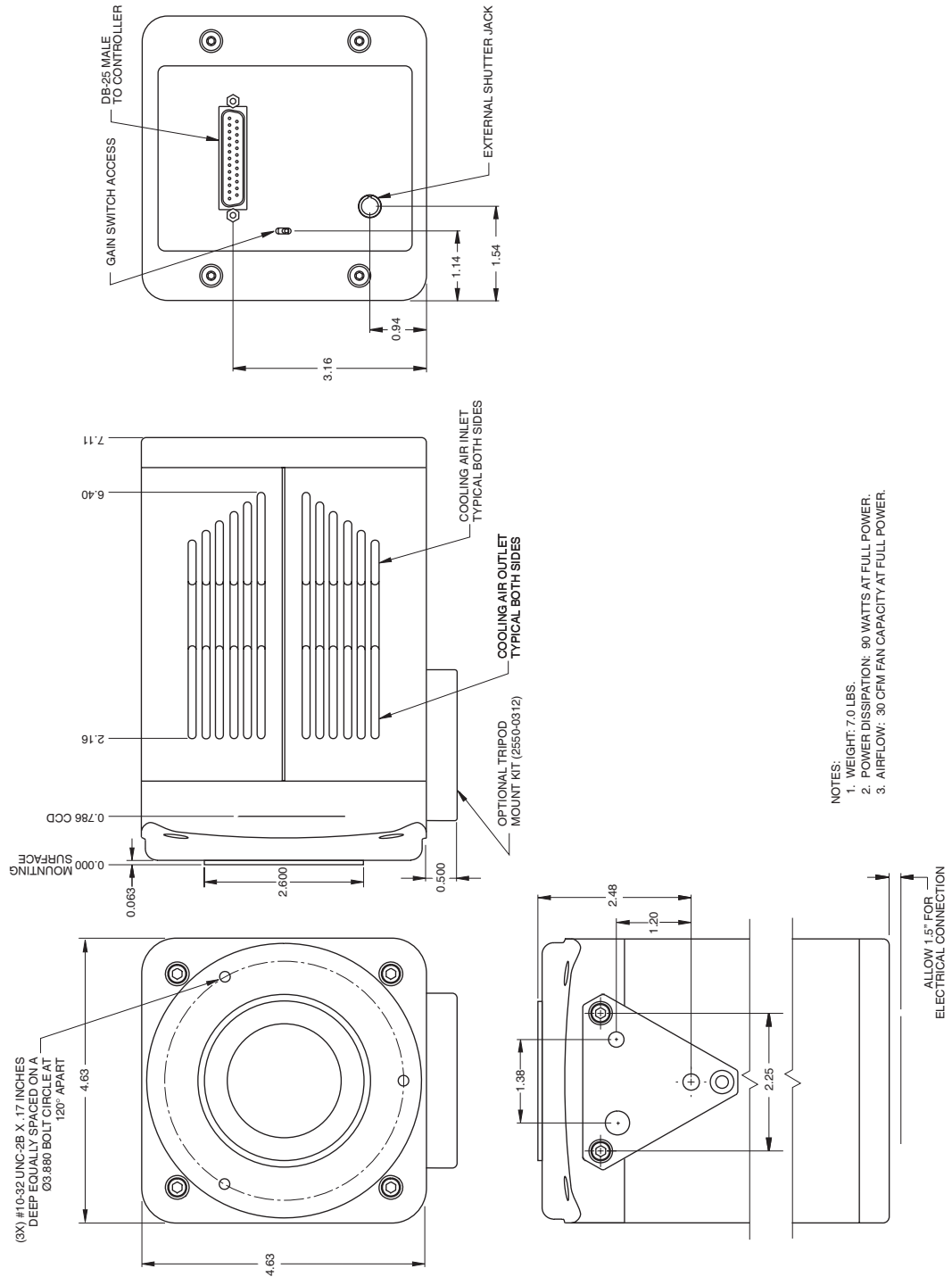
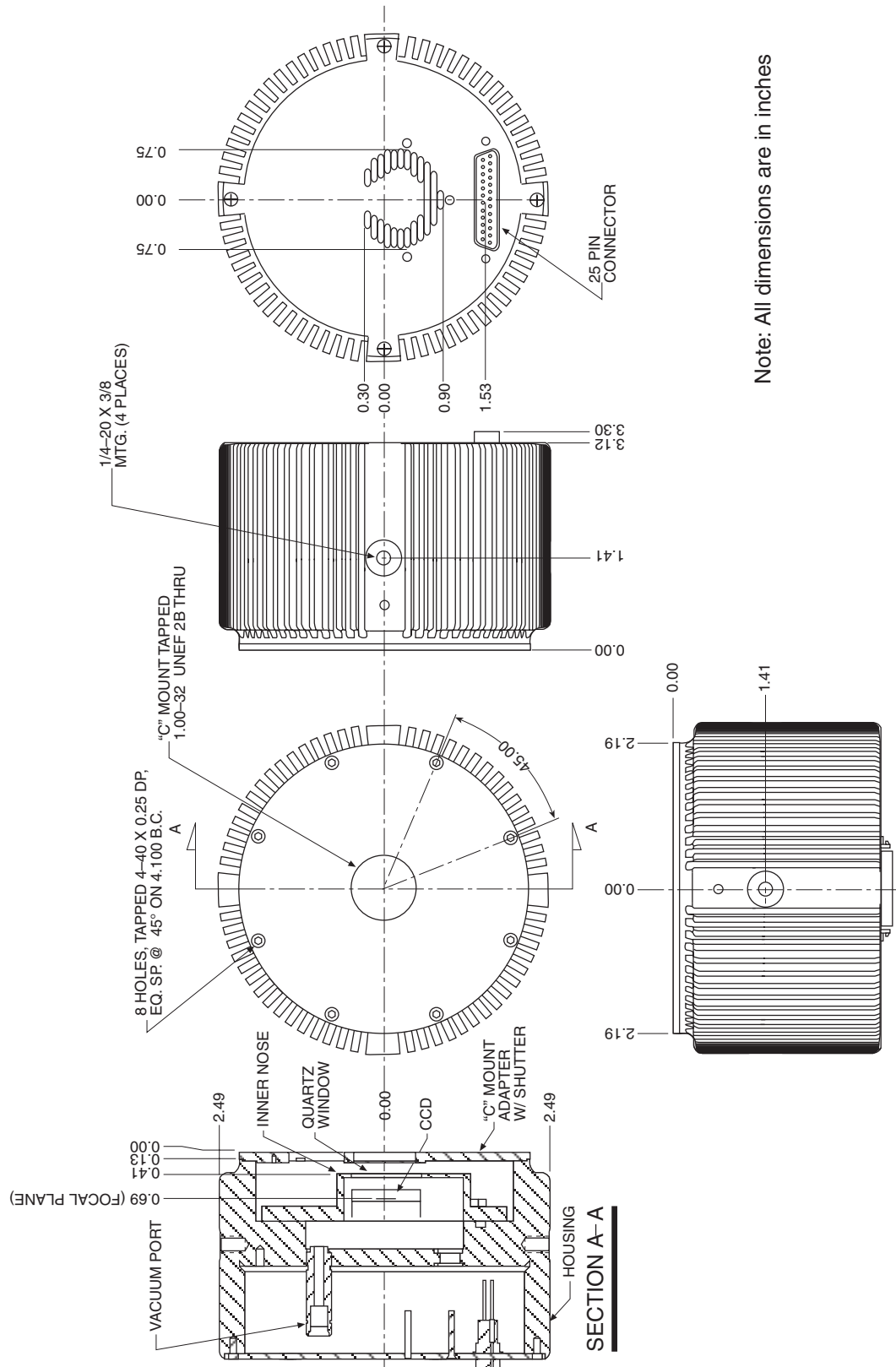


Figure 80. Rectangular Camera Head: Spectroscopy Mount without Shutter





Note: All dimensions are in inches

Figure 81. 1 MHz and 100kHz/1MHz Round Head Camera: C-Mount Adapter and Shutter

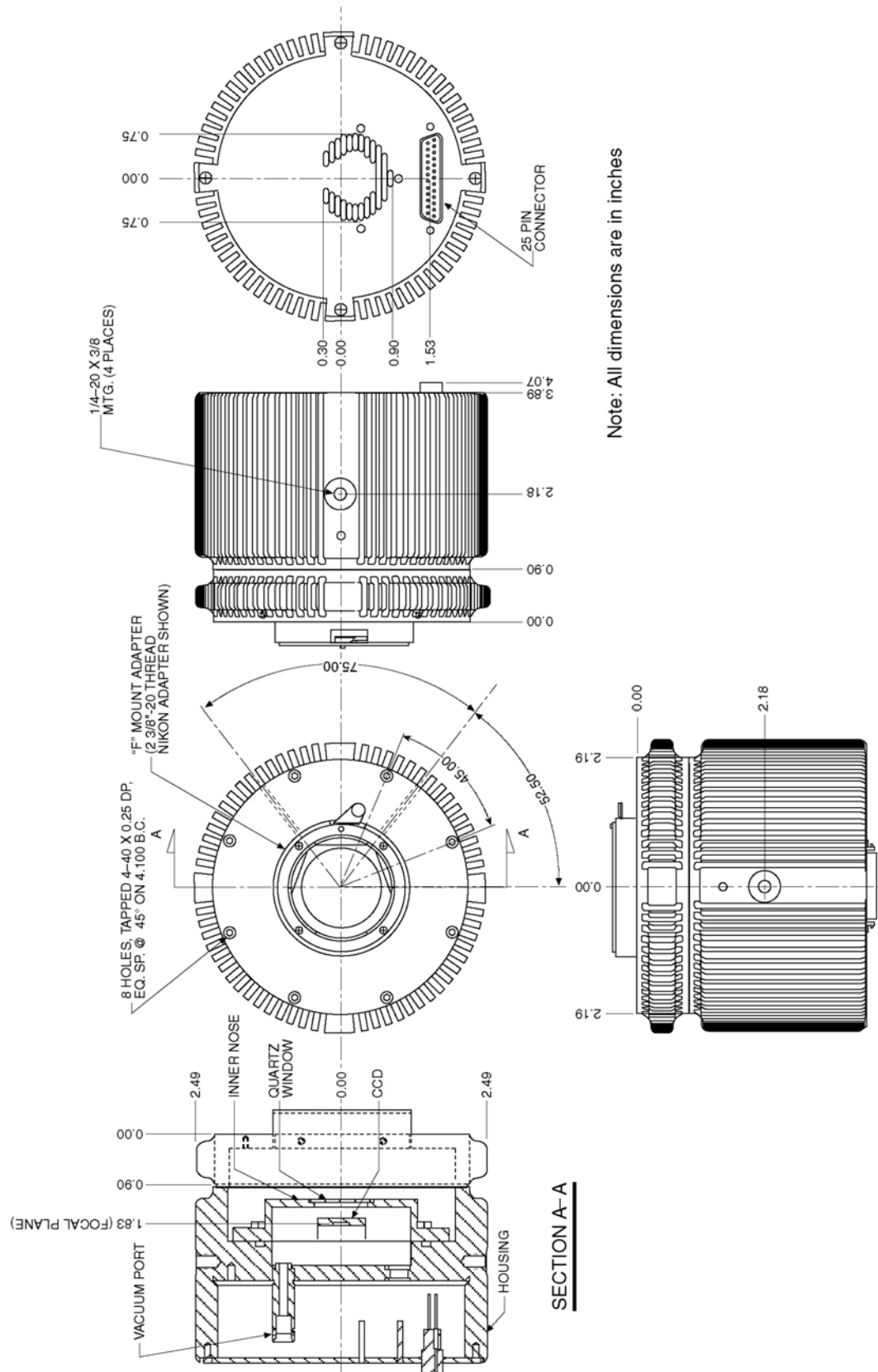


Figure 82. 1 MHz Round Head Camera: F-Mount Adapter

## ST-133B Controller

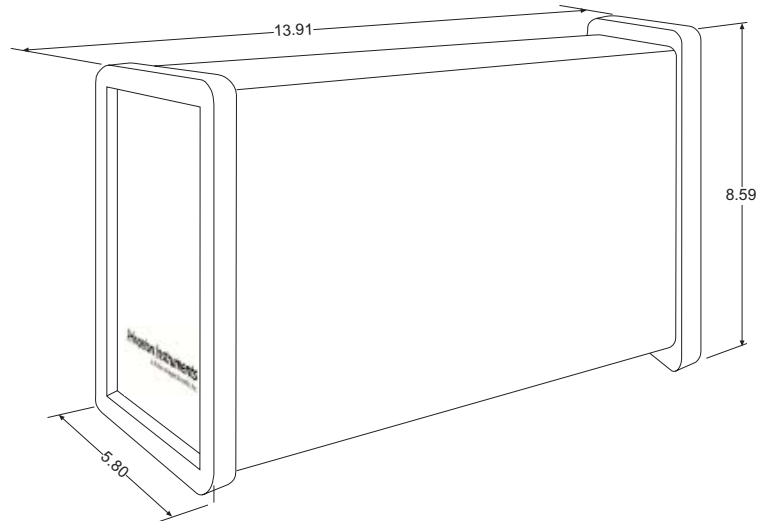


Figure 83. ST-133B Controller Dimensions

## ST-133A Controller

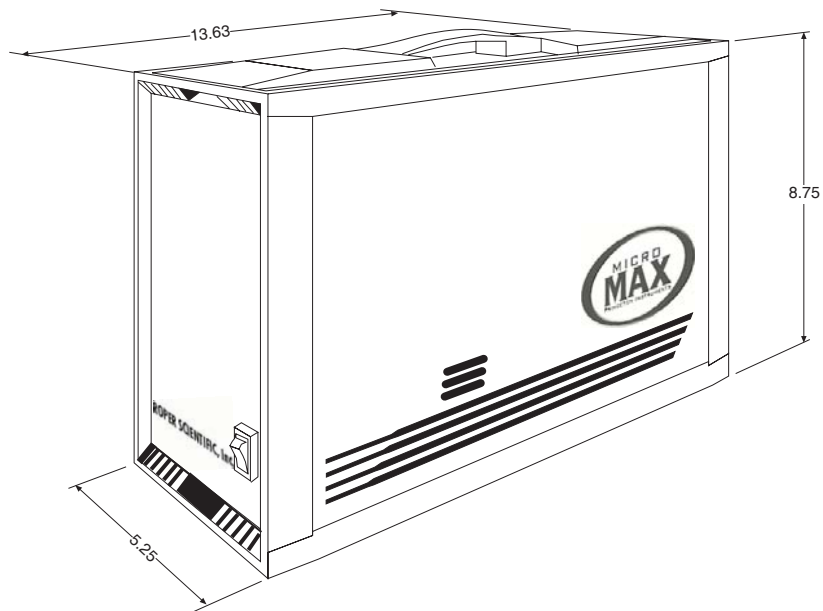


Figure 84. ST-133A Controller Dimensions

*This page intentionally left blank.*

# Appendix C

## Repumping the Vacuum

---

### Introduction

Round head cameras are normally shipped with a vacuum level of ~10 mTorr or better to assure proper cooling performance and to prevent condensation from collecting on the CCD. This condensation obscures or interferes with optical signals, and can leave behind harmful contaminants. In time, the vacuum level could deteriorate to where achieving temperature lock will no longer be possible. If this happens, it will be necessary to repump the vacuum to restore normal cooling performance. Instructions for repumping the vacuum for a 1 MHz or 100kHz/1MHz round head camera are included in this appendix.

### Caution

Do not repump the vacuum until system operation has been verified. The system must be functioning properly before you can determine that repumping is necessary. Causes other than vacuum loss could make it impossible to achieve temperature lock (see "*Cooling Troubleshooting*" on page 114).

### Notes:

1. To minimize outgassing, all Princeton Instruments detectors are vacuum baked at the factory. Nevertheless, new detectors will experience a higher outgassing rate than detectors that have been in operation for several months, and are more likely to require repumping.
2. Users can request a nitrogen back-filled camera, which prevents condensation without the need for pumping. If your camera was prepared this way at the factory, no attempts at pumping should be made.

### WARNING

Operating the camera without proper evacuation may result in serious or irreversible damage from condensation. Do not operate the camera unless the vacuum chamber is either evacuated or filled with a dry, non-corrosive gas (e.g. dry nitrogen).

### Requirements

- A laboratory-type vacuum pump capable of achieving 10 mTorr or lower.

### Caution

Your vacuum system *must* have a trap (ideally cryogenic) placed between the camera and the pump to prevent contamination due to backstreaming from the pump.

- Special vacuum pumpdown connector (PN 2550-0181), as shown in Figure 85.

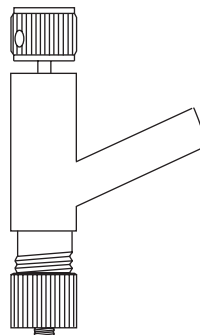


Figure 85. Vacuum Connector Required for Pumping

- Phillips screwdriver and a 3/16" nut driver, required to remove the back plate from the camera.

## Vacuum Pumpdown Procedure

The instructions that follow are for a 1 MHz or 100kHz/1 MHz round head camera only.

1. Remove the back cover of the camera (see Figure 86). It is secured by four Phillips-head screws and by the two connector slide-latch posts, which can be removed using a 3/16" nut driver.

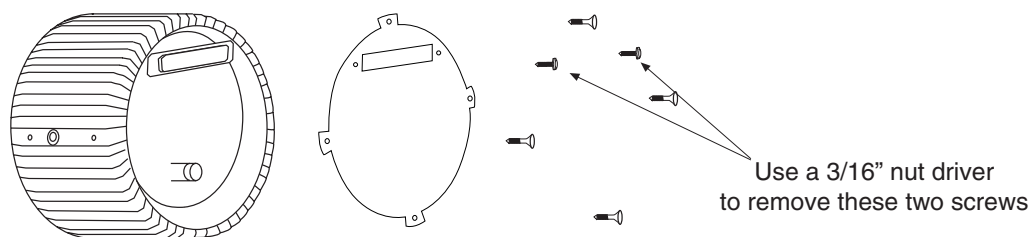


Figure 86. Removing the Back Panel

2. Push the Vacuum Connector onto the vacuum port on the back of the camera (see Figure 87). Tighten the bottom knurled ring (the one closest to the camera body).
3. Connect the vacuum system to the open tube and begin pumping. The vacuum equipment should first be pumped down to a reasonable level before the camera vacuum is opened.
4. After a reasonable vacuum level is reached (~20 mTorr), turn the top knob of the Vacuum Connector clockwise a few turns. While holding the body of the connector, pull up on the top knurled knob until it stops (see Figure 88). This opens the camera to the vacuum system, and a change in vacuum pressure in the system should be observed.
5. Pump down to 10 mTorr or as close as possible. Overnight pumping may be required.
6. When this level has been achieved, push the top knob all the way in until it stops. The vacuum block is now sealed. Turn the same knob counterclockwise several turns, to free the plug from the Vacuum Connector.
7. Remove the vacuum system from the Vacuum Connector. While turning the top knob counterclockwise, remove the Vacuum Connector from the camera. Replace the back cover.

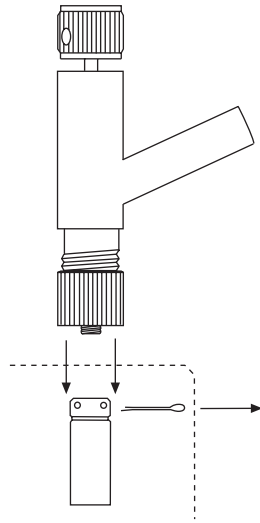


Figure 87. Attaching the Vacuum Connector

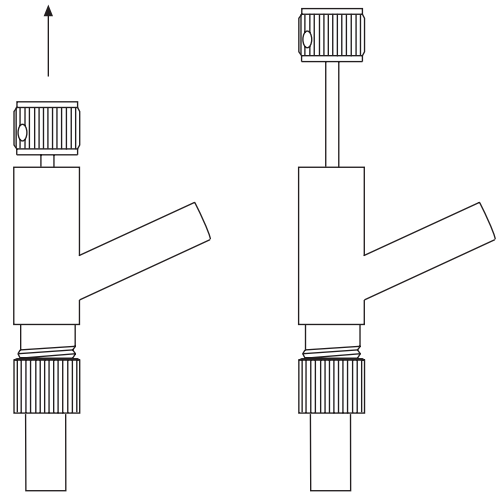


Figure 88. Opening the Camera to the Vacuum System

*This page intentionally left blank.*



## Appendix D

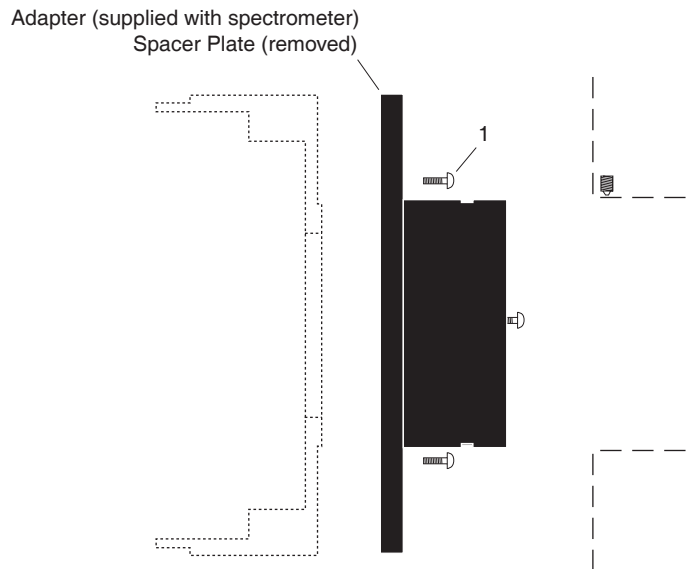
# Spectrometer Adapters

---

Princeton Instruments offers a variety of spectrometer adapters for rectangular head (NTE) MicroMAX systems. The mounting instructions for these adapters are organized by spectrometer model, camera type, and adapter kit number. The table below cross-references these items with the page number for the appropriate instruction set.

<b>Spectrometer</b>	<b>Camera Type</b>	<b>Adapter Kit No.</b>	<b>Page</b>
Acton	NTE with/without shutter		146
Chromex 250 IS	NTE with/without shutter	7050-0089	147
ISA HR 320	NTE with/without shutter	7050-0002	148
ISA HR 640	NTE with/without shutter	7050-0014	149
JY TRIAX	NTE without shutter	7384-0072	150
SPEX 270M	NTE with/without shutter	7050-0042	151
SPEX 500M	NTE with/without shutter	7050-0018	152
SPEX TripleMate	NTE with/without shutter	7050-0006	153

## Acton (NTE with or without shutter)



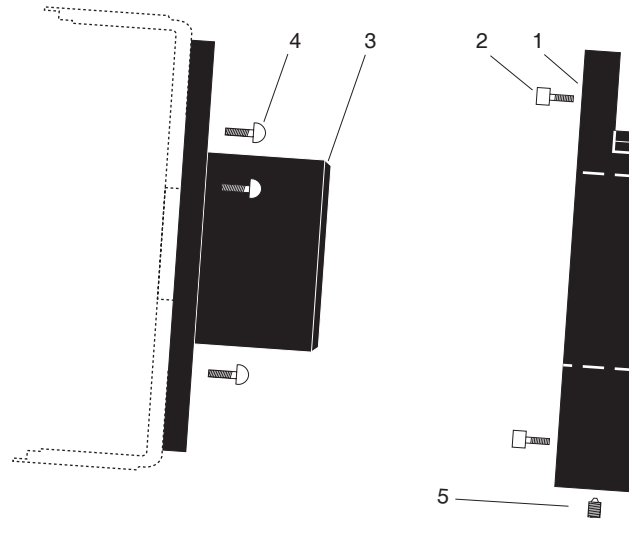
Qty	P/N	Description
1.	3	2826-0127 Screw, 10-32 × 1/4, Button Head Allen Hex, Stainless Steel

### Assembly Instructions

1. Make sure that the shipping cover has been removed from the detector port on the spectrometer.
2. Loosen the setscrews holding the Acton adapter in the spectrometer and remove the adapter.
3. Remove the spacer plate from the adapter by removing the three (3) socket head screws.
4. Mount the Acton adapter to the face of the detector drum housing (dashed outline in illustration) with the three (3) 1/4" long button head screws.
5. Gently insert the adapter into the spectrometer and fasten with the setscrews.

**Note:** Adapter parts are machined to provide a tight fit. It is necessary to rotate the detector back and forth when inserting into the spectrometer adapter. Do not force the two parts of the adapter together, as they can be permanently damaged by excessive force.

## Chromex 250 IS (NTE with or without shutter)



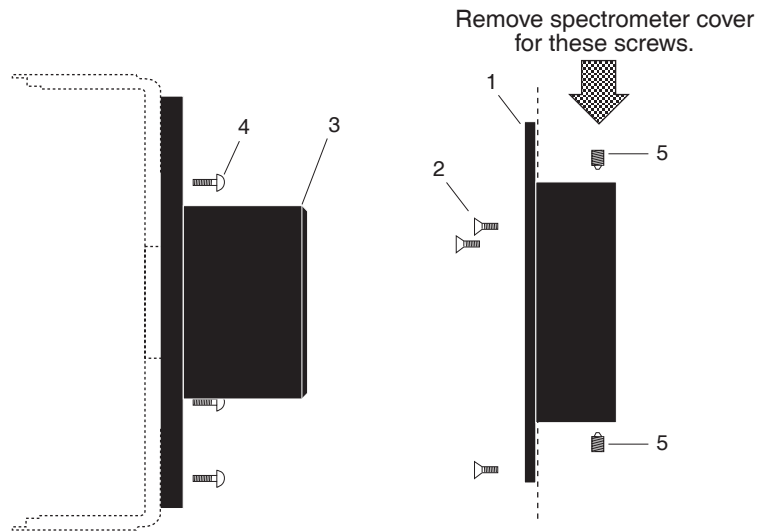
Qty	P/N	Description
1.	1	2517-0901 Plate, Adapter-Female
2.	4	2826-0283 Screw, 10-32 × 3/4, Socket head, Stainless Steel, Hex, Black
3.	1	2518-0107 Adapter-Male, HR320
4.	3	2826-0127 Screw, 10-32 × 1/4, Button Head Allen Hex, Stainless Steel
5.	1	2826-0082 Set Screw, 10-32 × 1/4, Stainless Steel, Allen Hex, Nylon Tip

### Assembly Instructions

1. Attach part 1 to the spectrometer (dashed line in illustration) with the socket head screws provided.
2. Attach part 3 to the camera with the three (3) 1/4" long button head screws provided.
3. Gently insert part 3 into part 1 and fasten with the setscrew.

**Note:** Adapter parts are machined to provide a tight fit. It is necessary to rotate the camera back and forth when inserting into the spectrometer adapter. Do not force the two parts of the adapter together, as they can be permanently damaged by excessive force.

## ISA HR 320 (NTE with or without shutter)



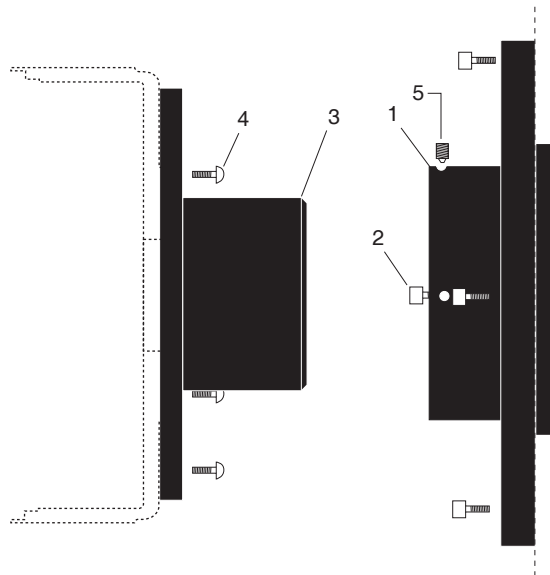
Qty	P/N	Description
1.	1	2518-0106 Adapter-Female, HR320
2.	3	2826-0087 Screw, M5-10, Flat Head, Socket, Stainless Steel
3.	1	2518-0107 Adapter-Male, HR320
4.	3	2826-0127 Screw, 10-32 × 1/4, Button Head Allen Hex, Stainless Steel
5.	2	2826-0082 Set Screw, 10-32 × 1/4, Stainless Steel, Allen Hex, Nylon Tip

### Assembly Instructions

1. Remove the spectrometer cover.
2. Insert part 1 into the spectrometer (dashed line in illustration), fasten with the flathead screws provided, and replace spectrometer cover.
3. Attach part 3 to the camera with the three (3) 1/4" long button head screws provided.
4. Gently insert part 3 into part 1 and fasten with the setscrews.
3. Replace the spectrometer cover.

**Note:** Adapter parts are machined to provide a tight fit. It is necessary to rotate the camera back and forth when inserting into the spectrometer adapter. Do not force the two parts of the adapter together, as they can be permanently damaged by excessive force.

## ISA HR 640 (NTE with or without shutter)



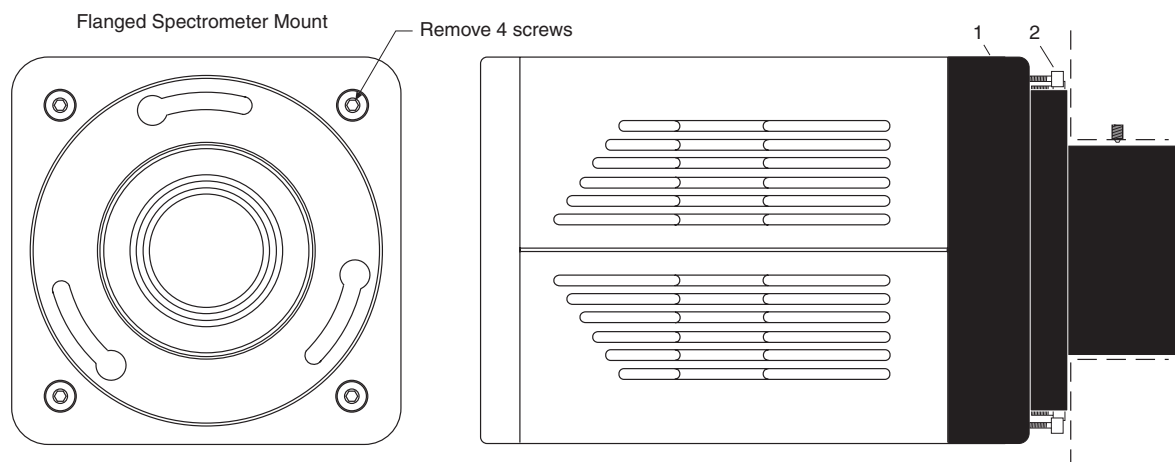
	Qty	P/N	Description
1.	1	2518-0203	Adapter-Female, HR640
2.	4	2826-0144	Screw, M4-.7 × 14, Socket Head Cap, Stainless Steel
3.	1	2518-0107	Adapter-Male, HR320
4.	3	2826-0127	Screw, 10-32 × 1/4, Button Head Allen Hex, Stainless Steel
5.	2	2826-0082	Set Screw, 10-32 × 1/4, Stainless Steel, Allen Hex, Nylon Tip

### Assembly Instructions

1. Insert part 1 into the spectrometer (dashed line in illustration) and fasten with the socket head screws provided.
2. Attach part 3 to the camera with the three (3) 1/4" long button head screws provided.
3. Gently insert part 3 into part 1 and fasten with the setscrews.

**Note:** Adapter parts are machined to provide a tight fit. It is necessary to rotate the camera back and forth when inserting into the spectrometer adapter. Do not force the two parts of the adapter together, as they can be permanently damaged by excessive force.

## JY TRIAX family (NTE without shutter)



Qty	P/N	Description
1.	1	2518-1000 Adapter, TRIAX, NTE, 7377, 7376, 7413
2.	4	2826-0191 Screw, 10-32 × 5/8, Socket Head, Stainless Steel, Hex, Black

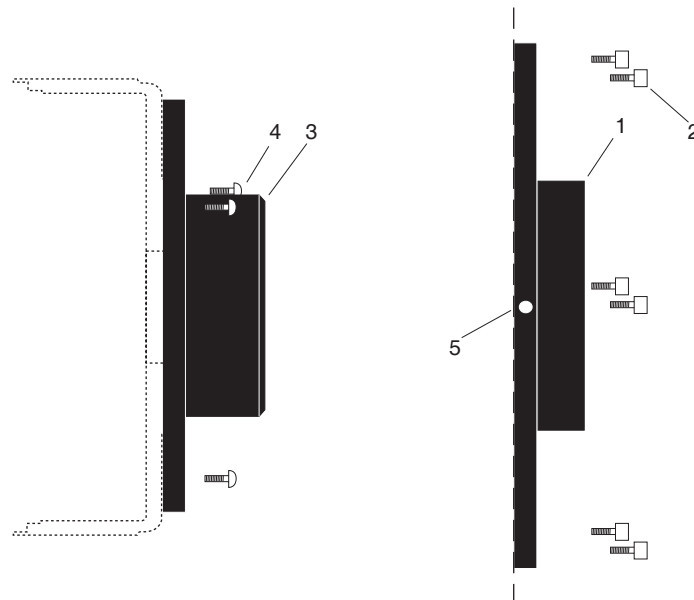
Typically, the adapter is shipped already mounted to the camera. The following procedure is provided in case you have ordered a JY TRIAX adapter for a shutterless MicroMAX rectangular head (NTE) camera that you already own.

### Assembly Instructions

1. While supporting the flange, remove the four (4) of the socket head screws from the front of the camera (see illustration above) and store these screws.
2. Using the four (4) screws provided with the adapter kit, mount part 1 to the front of the camera.
3. Remove the spectrometer cover.
4. Insert part 1 into the spectrometer and fasten it in place with the spectrometer setscrew.
5. Replace the spectrometer cover.

**Note:** Adapter parts are machined to provide a tight fit. It may be necessary to rotate the camera back and forth when inserting into the spectrometer adapter. Do not force the two parts of the adapter together, as they can be permanently damaged by excessive force.

## SPEX 270M (NTE with or without shutter)



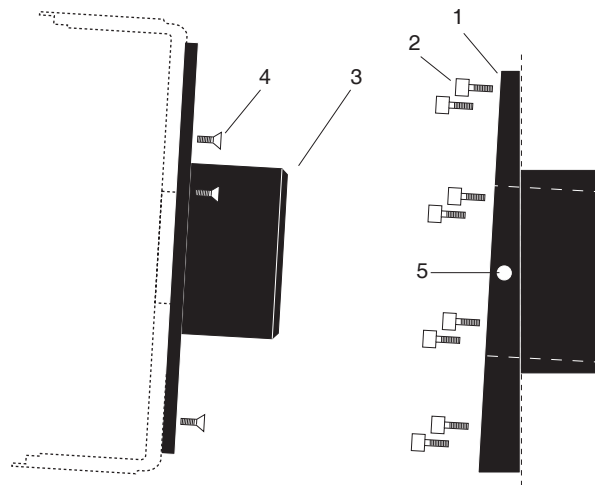
Qty	P/N	Description
1.	1	2518-0691 Female Adapter Plate, 2.400 ID
2.	6	2826-0068 Screw, 6-32 × 3/8, Socket Head, Cap, Stainless Steel
3.	1	2518-0690 Adapter, Focusing, Male, Spec 270
4.	3	2826-0127 Screw, 10-32 × 1/4, Button Head Allen Hex, Stainless Steel
5.	2	2826-0073 Screw 6-32 × 1/8, Set, Allen Hex, Brass Tip

### Assembly Instructions

1. Remove the cover of the spectrometer.
2. Attach part 1 to the inner wall of the spectrometer (dashed line in illustration) with the socket head screws provided.
3. Attach part 3 to the camera with the three (3) 1/4" long button head screws provided.
4. Gently insert part 3 into part 1 and fasten with the setscrews.
5. Replace the spectrometer cover.

**Note:** Adapter parts are machined to provide a tight fit. It is necessary to rotate the camera back and forth when inserting into the spectrometer adapter. Do not force the two parts of the adapter together, as they can be permanently damaged by excessive force.

## SPEX 500M (NTE with or without shutter)



Qty	P/N	Description
1.	1	2517-0214 Adapter-Female, Spex 500m
2.	8	2826-0170 Screw, 1/4-20 × 0.51, Low Socket Head Cap, Black
3.	1	2518-0223 Adapter-Male, Spex 500m
4.	3	2826-0134 Screw, 10-32 × 1/4, Flat Head Slot, Stainless Steel
5.	2	2826-0055 Screw, 8-32 × 14, Set Allen Hex, Nylon

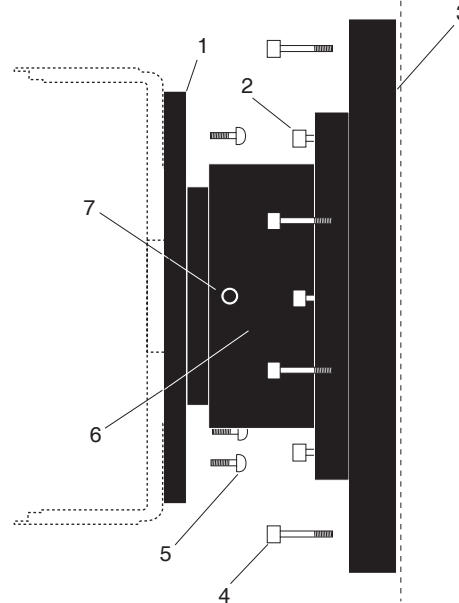
### Assembly Instructions

1. Insert part 1 into the spectrometer wall (dashed line in illustration) and fasten with the socket head screws provided.
2. Attach part 3 to the camera with the three (3) 1/4" long button head screws provided.
3. Gently insert part 3 into part 1 and fasten with the setscrews.

**Note:** Adapter parts are machined to provide a tight fit. It is necessary to rotate the camera back and forth when inserting into the spectrometer adapter. Do not force the two parts of the adapter together, as they can be permanently damaged by excessive force.



## SPEX TripleMate (NTE with or without shutter)



Qty	P/N	Description
1.	1	2518-0184 Adapter-Male, LN/TE, CCD/For Spex TripleMate
2.	4	2826-0128 Screw, 10-32 × 5/8, Socket Head Cap, Stainless Steel,
3.	1	2517-0163 Slit Mount, Spex
4.	4	2826-0129 Screw, 1/4-20 × 3/4, Socket Head Cap, Stainless Steel
5.	3	2826-0127 Screw, 10-32 × 1/4, Button Head, Hex, Stainless Steel
6.	1	2518-0185 Adapter-Female, Flange Spex
7.	2	2826-0082 Set Screw, 10-32 × 1/4, Stainless Steel, Allen Hex, Nylon Tip
	1	2500-0025 O-ring, 2.359x.139, Viton (installed)
	1	2500-0026 O-ring, 2.484x.139, Viton (installed)

### Assembly Instructions

1. Mount the whole assembly onto the spectrometer.
2. Loosen setscrews and pull out part 1 far enough to enable access to screws with Allen wrench. Do not pull part 1 past the O-ring (If you do pull out part 1 completely, reinsert before attaching the camera).
3. Attach part 3 to the camera with the three (3) 1/4" long button head screws provided.
4. Tighten the setscrews.

**Note:** Adapter parts are machined to provide a tight fit. It is necessary to rotate the camera back and forth when inserting into the spectrometer adapter. Do not force the two parts of the adapter together, as they can be permanently damaged by excessive force.

*This page intentionally left blank.*

# Appendix E

## USB 2.0 Limitations

---

The following information covers the currently known limitations associated with operating under the USB 2.0 interface.

- Maximum cable length is 5 meters (16.4 feet)
- 1 MHz is currently the upper digitization rate limit for the ST-133 Controller.
- Large data sets and/or long acquisition times may be subject to data overrun because of host computer interrupts during data acquisition.
- USB 2.0 is not supported by the Princeton Instruments PC Interface Library (Easy DLLS).
- Some WinView/WinSpec 2.5.X features are not fully supported with USB 2.0. See the table below.

Feature	Supported with USB 2.0 in WinX 2.5.X	Remarks
Demo Port Capability	NO	
DIF	NO	
Kinetics	YES	WinX 2.5.18.1
Reset Camera to NVRAM Defaults	NO	
Temperature Lock Status	YES	WinX 2.5.x doesn't utilize hardware lock status
PTG	YES	
Virtual Chip	NO	
Custom Timing	YES	WinX 2.5.18.1
Custom Chip	YES	WinX 2.5.18.1
Frames per Interrupt	NO	
RS170 (Video Output)	NO	
Online Exposure	NO	
File Information	YES	Not all header info is currently available in WinX 2.5.x through PVCAM
Overlapping ROIs	NO	

Table 19. Features Supported under USB 2.0 (continued on next page)

<b>Feature</b>	<b>Supported with USB 2.0 in WinX 2.5.X</b>	<b>Remarks</b>
Macro Record	YES	Macros recorded for non-PVCAM cameras may have to be re-recorded to function
TTL I/O	NO	

*Table 19. Features Supported under USB 2.0*

# Declarations of Conformity

---

This section of the MicroMAX manual contains the declarations of conformity for MicroMAX systems. MicroMAX systems encompass RTE (round thermoelectrically-cooled) and NTE (rectangular thermoelectrically-cooled) camera heads and their associated controllers.

# DECLARATION OF CONFORMITY

We,

**ROPER SCIENTIFIC  
(PRINCETON INSTRUMENTS)  
3660 QUAKERBRIDGE ROAD  
TRENTON, NJ 08619**

Declare under our sole responsibility, that the product

**MicroMAX SYSTEM  
With  
RTE/CCD CAMERA,**

To which this declaration relates, is in conformity with general safety requirement for electrical equipment standards:

**IEC 1010-1:1990, EN 61010-1:1993/A2:1995  
EN 50082-1:1992,  
(EN 61000-4-2, EN 61000-4-3, EN 61000-4-4, 1995)  
EN 55011 for GROUP 1, CLASS A, 1991,  
EN 61000-3-2, 1994**


Which follow the provisions of the

**CE LOW VOLTAGE DIRECTIVE 73/23/EEC**

**And**

**EMC DIRECTIVE 89/336/EEC.**

Date: August 20, 2002 \_\_\_\_\_  
TRENTON, NJ

  
\_\_\_\_\_  
(PAUL HEAVENER)  
Engineering Manager

# DECLARATION OF CONFORMITY

We, ,

**ROPER SCIENTIFIC**  
(PRINCETON INSTRUMENTS)  
**3660 QUAKERBRIDGE ROAD**  
**TRENTON, NJ 08619,**

Declare under our sole responsibility that the product

**ST-133 1 MHz HIGH POWER CONTROLLER**  
**w/NTE CAMERA HEAD,**


To which this declaration relates, is in conformity with general safety requirement for electrical equipment standards:

**IEC 1010-1:1990, EN 61010-1:1993/A2:1995**  
**EN 55011 for Group 1, Class A, 1991,**  
**EN 50082-1, 1991 (EN 61000-4-2, EN 61000-4-3, EN 61000-4-4),**

Which follow the provisions of the

**CE LOW VOLTAGE DIRECTIVE 73/23/EEC**  
**And**  
**EMC DIRECTIVE 89/336/EEC.**

Date: August 20, 2002  
TRENTON, NJ

  
\_\_\_\_\_  
(PAUL HEAVENER)  
Engineering Manager

*This page intentionally left blank.*



# Warranty & Service

---

## Limited Warranty

Princeton Instruments, a division of Roper Scientific, Inc. ("Princeton Instruments", "us", "we", "our") makes the following limited warranties. These limited warranties extend to the original purchaser ("You", "you") only and no other purchaser or transferee. We have complete control over all warranties and may alter or terminate any or all warranties at any time we deem necessary.

### **Basic Limited One (1) Year Warranty**

Princeton Instruments warrants this product against substantial defects in materials and / or workmanship for a period of up to one (1) year after shipment. During this period, Princeton Instruments will repair the product or, at its sole option, repair or replace any defective part without charge to you. You must deliver the entire product to the Princeton Instruments factory or, at our option, to a factory-authorized service center. You are responsible for the shipping costs to return the product. International customers should contact their local Princeton Instruments authorized representative/distributor for repair information and assistance, or visit our technical support page at [www.piaction.com](http://www.piaction.com).

### **Limited One (1) Year Warranty on Refurbished or Discontinued Products**

Princeton Instruments warrants, with the exception of the CCD imaging device (which carries NO WARRANTIES EXPRESS OR IMPLIED), this product against defects in materials or workmanship for a period of up to one (1) year after shipment. During this period, Princeton Instruments will repair or replace, at its sole option, any defective parts, without charge to you. You must deliver the entire product to the Princeton Instruments factory or, at our option, a factory-authorized service center. You are responsible for the shipping costs to return the product to Princeton Instruments. International customers should contact their local Princeton Instruments representative/distributor for repair information and assistance or visit our technical support page at [www.piaction.com](http://www.piaction.com).

### **Normal Wear Item Disclaimer**

Princeton Instruments does not warrant certain items against defect due to normal wear and tear. These items include internal and external shutters, cables, and connectors. *These items carry no warranty, expressed or implied.*

### **XP Vacuum Chamber Limited Lifetime Warranty**

Princeton Instruments warrants that the cooling performance of the system will meet our specifications over the lifetime of an XP detector or Princeton Instruments will, at its sole option, repair or replace any vacuum chamber components necessary to restore the cooling performance back to the original specifications at no cost to the original purchaser. *Any failure to "cool to spec" beyond our Basic (1) year limited warranty from date of shipment, due to a non-vacuum-related component failure (e.g., any components that are electrical/electronic) is NOT covered and carries NO WARRANTIES EXPRESSED OR IMPLIED.* Responsibility for shipping charges is as described above under our Basic Limited One (1) Year Warranty.

**Sealed Chamber Integrity Limited 24 Month Warranty**

Princeton Instruments warrants the sealed chamber integrity of all our products for a period of twenty-four (24) months after shipment. If, at anytime within twenty-four (24) months from the date of delivery, the detector should experience a sealed chamber failure, all parts and labor needed to restore the chamber seal will be covered by us. *Open chamber products carry NO WARRANTY TO THE CCD IMAGING DEVICE, EXPRESSED OR IMPLIED.* Responsibility for shipping charges is as described above under our Basic Limited One (1) Year Warranty.

**Vacuum Integrity Limited 24 Month Warranty**

Princeton Instruments warrants the vacuum integrity of all our products for a period of up to twenty-four (24) months from the date of shipment. We warrant that the detector head will maintain the factory-set operating temperature without the requirement for customer pumping. Should the detector experience a Vacuum Integrity failure at anytime within twenty-four (24) months from the date of delivery all parts and labor needed to restore the vacuum integrity will be covered by us. Responsibility for shipping charges is as described above under our Basic Limited One (1) Year Warranty.

**Image Intensifier Detector Limited One Year Warranty**

All image intensifier products are inherently susceptible to Phosphor and/or Photocathode burn (physical damage) when exposed to high intensity light. Princeton Instruments warrants, with the exception of image intensifier products that are found to have Phosphor and/or Photocathode burn damage (which carry NO WARRANTIES EXPRESSED OR IMPLIED), all image intensifier products for a period of one (1) year after shipment. *See additional Limited One (1) year Warranty terms and conditions above, which apply to this warranty.* Responsibility for shipping charges is as described above under our Basic Limited One (1) Year Warranty.

**X-Ray Detector Limited One Year Warranty**

Princeton Instruments warrants, with the exception of CCD imaging device and fiber optic assembly damage due to X-rays (which carry NO WARRANTIES EXPRESSED OR IMPLIED), all X-ray products for one (1) year after shipment. *See additional Basic Limited One (1) year Warranty terms and conditions above, which apply to this warranty.* Responsibility for shipping charges is as described above under our Basic Limited One (1) Year Warranty.

**Software Limited Warranty**

Princeton Instruments warrants all of our manufactured software discs to be free from substantial defects in materials and / or workmanship under normal use for a period of one (1) year from shipment. Princeton Instruments does not warrant that the function of the software will meet your requirements or that operation will be uninterrupted or error free. You assume responsibility for selecting the software to achieve your intended results and for the use and results obtained from the software. In addition, during the one (1) year limited warranty. The original purchaser is entitled to receive free version upgrades. Version upgrades supplied free of charge will be in the form of a download from the Internet. Those customers who do not have access to the Internet may obtain the version upgrades on a CD-ROM from our factory for an incidental shipping and handling charge. *See Item 12 in the following section of this warranty ("Your Responsibility") for more information.*

### **Owner's Manual and Troubleshooting**

You should read the owner's manual thoroughly before operating this product. In the unlikely event that you should encounter difficulty operating this product, the owner's manual should be consulted before contacting the Princeton Instruments technical support staff or authorized service representative for assistance. If you have consulted the owner's manual and the problem still persists, please contact the Princeton Instruments technical support staff or our authorized service representative. *See Item 12 in the following section of this warranty ("Your Responsibility") for more information.*

### **Your Responsibility**

The above Limited Warranties are subject to the following terms and conditions:

1. You must retain your bill of sale (invoice) and present it upon request for service and repairs or provide other proof of purchase satisfactory to Princeton Instruments.
2. You must notify the Princeton Instruments factory service center within (30) days after you have taken delivery of a product or part that you believe to be defective. With the exception of customers who claim a "technical issue" with the operation of the product or part, all invoices must be paid in full in accordance with the terms of sale. Failure to pay invoices when due may result in the interruption and/or cancellation of your one (1) year limited warranty and/or any other warranty, expressed or implied.
3. All warranty service must be made by the Princeton Instruments factory or, at our option, an authorized service center.
4. Before products or parts can be returned for service you must contact the Princeton Instruments factory and receive a return authorization number (RMA). Products or parts returned for service without a return authorization evidenced by an RMA will be sent back freight collect.
5. These warranties are effective only if purchased from the Princeton Instruments factory or one of our authorized manufacturer's representatives or distributors.
6. Unless specified in the original purchase agreement, Princeton Instruments is not responsible for installation, setup, or disassembly at the customer's location.
7. Warranties extend only to defects in materials or workmanship as limited above and do not extend to any product or part which has:
  - been lost or discarded by you;
  - been damaged as a result of misuse, improper installation, faulty or inadequate maintenance or failure to follow instructions furnished by us;
  - had serial numbers removed, altered, defaced, or rendered illegible;
  - been subjected to improper or unauthorized repair; or
  - been damaged due to fire, flood, radiation, or other "acts of God" or other contingencies beyond the control of Princeton Instruments.
8. After the warranty period has expired, you may contact the Princeton Instruments factory or a Princeton Instruments-authorized representative for repair information and/or extended warranty plans.
9. Physically damaged units or units that have been modified are not acceptable for repair in or out of warranty and will be returned as received.
10. All warranties implied by state law or non-U.S. laws, including the implied warranties of merchantability and fitness for a particular purpose, are expressly limited to the duration of the limited warranties set forth above. With the exception

of any warranties implied by state law or non-U.S. laws, as hereby limited, the forgoing warranty is exclusive and in lieu of all other warranties, guarantees, agreements, and similar obligations of manufacturer or seller with respect to the repair or replacement of any parts. In no event shall Princeton Instruments' liability exceed the cost of the repair or replacement of the defective product or part.

11. This limited warranty gives you specific legal rights and you may also have other rights that may vary from state to state and from country to country. Some states and countries do not allow limitations on how long an implied warranty lasts, when an action may be brought, or the exclusion or limitation of incidental or consequential damages, so the above provisions may not apply to you.
12. When contacting us for technical support or service assistance, please refer to the Princeton Instruments factory of purchase, contact your authorized Princeton Instruments representative or reseller, or visit our technical support page at [www.piaction.com](http://www.piaction.com).

## Contact Information

Roper Scientific's manufacturing facility for this product is located at the following address:

Princeton Instruments  
3660 Quakerbridge Road  
Trenton, NJ 08619 (USA)

Tel: 800-874-9789 / 609-587-9797

Fax: 609-587-1970

Customer Support E-mail: [techsupport@piaction.com](mailto:techsupport@piaction.com)

For immediate support in your area, please call the following locations directly:

<b>America</b>	1.877.4.PIACTON (877.474.2286)
<b>Benelux</b>	+31 (347) 324989
<b>France</b>	+33 (1) 60.86.03.65
<b>Germany</b>	+49 (0) 89.660.7793
<b>Japan</b>	+81 (3) 5639.2741
<b>UK &amp; Ireland</b>	+44 (0) 28.3831.0171

Otherwise, see our Support web page at [www.piaction.com](http://www.piaction.com). An up-to-date list of addresses and telephone numbers is posted on the [www.piaction.com/Support](http://www.piaction.com/Support) page. In addition, links on this page to support topics allow you to send e-mail based requests to the Customer Support group.

# Index

---

## #-B

64-pin DIN connector.....	18, 126
A/D converters .....	71
specifications.....	132
AC power requirements.....	28
Accessories, alignment of.....	55
Acton adapter instructions.....	146
Actual exposure time.....	78, 81
Adapter instructions	
Acton.....	146
Chromex 250 IS.....	147
ISA HR 320.....	148
ISA HR 640.....	149
JY TRIAX.....	150
SPEX 270M.....	151
SPEX 500M.....	152
SPEX TripleMate.....	153
ADC offset.....	59
Air-circulation requirement.....	17
Analog gain control.....	70
Analog/Control module.....	18
Applications.....	11
AUX output.....	20
Back-filled.....	141
Background DC level.....	60
Background subtraction.....	75
Back-plane.....	18
Baseline signal.....	59, 60
excessive humidity.....	60
ST-133 zero adjustment.....	20
sudden change in.....	60
Bias.....	59
Bias adjustment.....	20
Binning	
computer memory burden.....	68
hardware.....	68, 69
restrictions due to well capacity.....	70
readout time.....	68
resolution loss.....	68
software.....	70
effect on S/N ratio.....	70
high light level measurements.....	70
shot-noise limited measurements.....	70
Blooming.....	60
Bottom clamps, table of.....	37

## C

Cables.....	27
fiber optic.....	23
PCI interface.....	23
TAXI.....	23
USB 2.0.....	23
Calibration, spectrometer	
suitable light sources.....	54
Camera	
back panel.....	16
connector.....	16
fan.....	16
introduction to.....	10
mounting considerations	
1/4" x 20 UNC threaded holes.....	34
orientation constraints.....	34
use of mounting bracket for security.....	34
Camera Detection wizard.....	41, 112
Cautions	
baseline signal shift.....	60, 112
excessive humidity in CCD chamber.....	60
IR contamination.....	38
need for trap in vacuum system.....	141
system verification.....	141
zero adjustments.....	20
CCD array	
readout theory.....	61
shift register.....	61
CCD arrays	
blooming.....	60
dark charge effects.....	60
functions performed.....	56
maximum on-chip integration.....	60
readout of.....	64
shutter function.....	56
signal-to-noise ratio vs on chip integration time.....	60
theory of operation.....	56
well capacity.....	60
table of.....	70
CCIR.....	20
Chromex 250 IS adapter instructions.....	147
Cleaning	
controller and camera.....	14
optics.....	14

C-mount.....	36	DMA buffer.....	107
assembly.....	36	DMA buffer size.....	53
lens installation and removal.....	35	Dual A/D converters.....	71
support recommendations.....	36	Dual Image Feature camera.....	<i>See</i> DIF camera
Cold finger.....	15	Dynamic range.....	60
Collection area.....	56	EEC timing mode.....	98
Compensation time, shutter.....	56	EIA.....	20
Composite video output.....	20	Electronics enclosure.....	16
Connectors		EMF spike.....	44
ST-133, AUX Output.....	20	Environmental conditions.....	13
ST-133, Detector.....	20	ESABI timing mode.....	99
ST-133, External Sync.....	20	Excessive humidity.....	60
ST-133, NOT READY.....	20	Exposure.....	56
ST-133, NOT SCAN.....	20	shutter.....	56
ST-133, Serial COM.....	21	Exposure time.....	56, 74
ST-133, TTL In/Out.....	20, 87	actual.....	78, 81
ST-133, USB 2.0.....	21	programmed.....	78, 81
ST-133, Video Output.....	20	External shutter.....	21
Contact information.....	164	External Sync	
Continuous Cleans.....	77	background subtraction.....	75
Cooling.....	16	dark charge accumulation.....	76
Cooling and vacuum.....	115	frame-transfer.....	78
C-type lens mount.....	35	input pulse.....	75
<b>D-E</b>		overlapped mode.....	81
Dark charge.....	76	shutter synchronization.....	75
definition of.....	60	timing.....	75
dynamic range.....	60	External Sync connector.....	20
pattern.....	60	External synchronization.....	75
temperature dependence.....	60	<b>F</b>	
typical values.....	60	Fan	
Dark current.....	60	camera.....	16
Data smearing.....	57	ST-133 controller.....	21
Declaration of Conformity		Fast mode	
1MHz Rectangular Head (NTE) systems.....	159	data acquisition.....	83
1MHz Round Head (RTE) systems.....	158	flowchart.....	84
Detector		image update lag.....	83
cooling.....	59	Fiber optic cable (PCI optional).....	23
rotation of.....	55	Field of view, formula for.....	45
Detector connector (ST-133).....	20	First image procedure.....	47
Diagnostic Instruments Bottom Clamp.....	36	First light procedure	
Diagnostic Instruments Relay Lens.....	36, 51	imaging.....	47
DIF camera.....	93	spectroscopy.....	52
background subtraction.....	100	First spectra procedure.....	52
EEC timing mode.....	98	Fluorescence microscopy.....	35
ESABI timing mode.....	99	F-mount	
Flatfield correction.....	101	assembly of in microscopy.....	37
Free Run timing mode.....	94	lens installation and removal.....	35
IEC timing mode.....	96	nose-up operation.....	34
laboratory illumination.....	100	port selection.....	37
Mask Throughput correction.....	101	suitability for microscopy.....	37
timing modes.....	94	support recommendations.....	37
Tips and Tricks.....	100		
Digitization.....	71		

- Focusing ..... 51
  - alignment..... 54
  - aperture adjustment ..... 35
  - composite video output ..... 45
- Frame transfer
  - CCD requirements..... 78
  - external sync ..... 78
  - Free Run ..... 78
  - mode..... 78
  - readout..... 63
  - smearing ..... 57
  - timing ..... 78
- Frames/Interrupt ..... 107
- Free Run
  - DIF camera..... 94
  - experiments best suited for..... 74
  - Frame transfer ..... 78
  - Overlapped mode ..... 81
  - timing ..... 74
  - timing diagram ..... 75
  - timing flow-chart..... 74
- Full frame readout ..... 61
- Fuse
  - replacement ..... 113
  - requirements..... 28
- G-L**
- Grounding and safety ..... 13
- Hardware binning ..... 68, 69
- Hardware Setup wizard ..... 42, 112
- Humidity, in vacuum enclosure ..... 60, 112
- I/O Address conflicts ..... 121
- IEC timing mode ..... 96
- Imaging..... 47
- Imaging field of view ..... 45
- Installation
  - PCI card driver ..... 31
  - PCI drivers ..... 30
  - software..... 30
  - USB 2.0 driver ..... 33
- Interface card
  - driver installation ..... 30
  - PCI
    - High Speed PCI ..... 30
    - PCI(Timer)..... 30
  - troubleshooting..... 121
  - USB 2.0..... 32
- Interface Control module..... 18
- Interline CCDs..... 80
  - smearing ..... 57, 58
- Interrupt conflicts ..... 121
- IR blockers ..... 38
- IR, CCD sensitivity to ..... 38
- ISA HR 320 adapter instructions..... 148
- ISA HR 640 adapter instructions..... 149
- ISA interface card
  - driver installation ..... 114
  - I/O address, DMA channel, and interrupt level 122
- JY TRIAX adapter instructions ..... 150
- Latency ..... 77
- Lens mount housing ..... 16
- Lens mounting ..... 34
- Lenses, installation and removal ..... 35
- Line voltage selection
  - procedure..... 113
  - selector drum..... 29
- M**
- Macintosh II support..... 132
- Memory allocation..... 53
- Mercury spectrum, fluorescent lights ..... 54
- MicroMAX system
  - applications ..... 11
  - camera ..... 10
  - camera cooling system ..... 10
  - CCD array ..... 10
  - components of..... 27
  - controller
    - data conversion ..... 11
    - data transfer ..... 11
    - modular design..... 11
    - readout flexibility..... 11
  - overview..... 9
- MicroMAX: 1300YHS ..... 10
- MicroMAX: 1300YHS-DIF ..... 10
- MicroMAX: 782YHS ..... 10
- Microscope
  - mounting ..... 36
    - C-mount ..... 36
    - F-mount..... 36
- Microscopy ..... 35
  - arc lamp EMF spike damage warning..... 44
  - focusing ..... 51
  - IR blockers ..... 38
  - light throughput..... 35
  - Light throughput ..... 35
  - Magnification ..... 35
  - Numerical Aperture (NA) ..... 35
  - parfocality ..... 51
  - Transmission efficiency ..... 35
  - Xenon or Hg lamp EMF spike ..... 44
- Module
  - installation ..... 126
  - removal..... 125
- Mounting to a microscope
  - C-mount ..... 36
  - F-mount..... 36

**N-O**

Noise, low-noise readout .....	10
Non-Overlapped operation .....	80
example .....	65
NOT READY	
connector .....	20
signal .....	94, 96, 98, 99
timing .....	97, 99, 100
NOT SCAN	
signal .....	20
timing .....	56
Outgassing .....	141
Outline drawing	
rectangular head camera .....	133, 134, 135, 136
round head camera .....	137, 138
ST-133A controller .....	140
ST-133B controller .....	139
Overlapped operation .....	80
example .....	64
External Sync .....	81
Freerun .....	81
readout mode .....	80

**P-R**

Pan function .....	46
Parfocality .....	51
PCI card driver installation .....	31
PCI serial interface card	
diagnostics software .....	123
driver installation .....	30
fiber optic adapters .....	23
installation .....	31
non-conforming peripheral cards .....	123
Peltier effect thermoelectric cooler .....	58
Peltier-effect cooler .....	15
Photodamage .....	36
Photodiodes .....	56
Plug-in modules, installation and removal .....	125
Power cord .....	28
Power input module (ST-133) .....	21
Power requirements .....	28
Power switch and indicator .....	18
Preopen Shutter mode .....	75
Procedures	
adapter installation .....	145
familiarization and checkout .....	47, 52
First images .....	47
First spectra .....	52
line voltage selection and line fuse .....	113
plug-in module installation/removal .....	126
vacuum pumpdown .....	142
Programmable Interface connector .....	85
Programmable TTL interface connector .....	20
PVCAM.INI .....	42, 112

Quantum efficiency .....	35
Readout	
binning .....	67, 68, 69
hardware .....	69
frame transfer .....	63
subsection of array .....	62, 66, 67
time .....	74
Readout rate	
control of .....	71
precision vs speed tradeoff .....	71
Readout times (full frame) for several CCD types	
table of .....	62, 67
Rectangular Head Camera	
dimensioned outline drawing ....	133, 134, 135, 136
Relative humidity .....	13
Relay Lens .....	36
Requirements	
host computer .....	28
Requirements, power .....	28
Resolution	
loss of with binning .....	68
Response latency .....	77
ROI (Region of Interest) .....	46
Roper Scientific USB2 driver installation .....	33
Round Head Camera	
dimensioned outline drawing .....	137, 138
RS-170 (EIA) .....	20
RSConfig.exe .....	42, 112

**S**

S/N ratio .....	60, 70
Safe mode	
as used for setting up .....	83
fast image update .....	83
flowchart .....	84
missed events .....	83
Saturation .....	60
Serial COM connector, ST-133 .....	21
Shift register .....	61
Shutter	
compensation time .....	56, 131
drive selector .....	39
effect of physical limitations on exposure .....	57
exposure .....	56
external .....	21
SHUTTER signal .....	21
synchronization .....	20
lifetime .....	17
modes	
Disable .....	74
Normal .....	74
Preopen .....	74, 75
replacement of .....	17, 128
shutter setting selector (ST-133) .....	21, 39



- Shutter (cont.)
  - signs of failure..... 128
  - signs of failure..... 17
  - ST-133 connector..... 21
- Shutter Power connector..... 21
- SHUTTER signal..... 20
- Signal-to-noise ratio, on-chip integration..... 60
- Slide latch operation..... 127
- Smearing..... 57
  - frame transfer cameras..... 57
  - interline CCDs..... 58
- Smearing in interline operation..... 57
- Software binning..... 70
- Software Trigger..... 108
- Specifications
  - A/D converter..... 132
  - cooling..... 130
  - inputs and outputs..... 131
  - miscellaneous..... 132
  - mounting..... 130
  - temperature control..... 130
- Spectrometer
  - adapter instructions..... 145
  - mounting to camera..... 39
- SPEX 270M adapter instructions..... 151
- SPEX 500M adapter instructions..... 152
- SPEX TripleMate adapter instructions..... 153
- ST-133 Controller
  - fuse/voltage label..... 21
  - modules..... 18
  - power input module..... 21
  - power requirements..... 28
  - zero adjustment..... 20
- ST-133A Controller
  - dimensioned outline drawing..... 140
- ST-133B Controller
  - dimensioned outline drawing..... 139
- T**
- TAXI
  - cable..... 23
  - interface card..... 23
- Technical support..... 164
- Temperature
  - control
    - problems..... 114
    - specifications..... 130
  - effect of vacuum deterioration..... 115
  - operating environment..... 13
  - storage..... 13
  - thermal cutout switch..... 115
- Temperature control..... 58
- Temperature lock..... 59
- Temperature Lock LED (ST-133)..... 20
- Termination of video output..... 45
- Thermal cutout switch..... 115
- Timing control..... 83
- Timing modes
  - Continuous Cleans..... 77
  - DIF camera..... 94
- Timing, table of modes..... 74
- Trap, vacuum..... 141
- Trinocular mount microscopes..... 35
- TTL In/Out connector..... 20, 87
- TTL In/Out pin assignments..... 87
- U-V**
- Upgrade Device Driver wizard..... 33
- USB 2.0
  - cable..... 23
  - connector..... 21
  - data overrun..... 116
  - installation..... 33
  - interface card..... 23
- UV scintillator..... 16
- Vacuum
  - deterioration..... 115
  - level required..... 141
  - pumpdown connector..... 27
- Vacuum repumping
  - required equipment
    - lab-type vacuum pump..... 141
    - trap to prevent contaminant backstreaming..... 141
- VCR..... 45
- Video Focus mode..... 46
- Video output
  - constraints on during data acquisition..... 46
  - focusing..... 45
- Video Output connector..... 20
- Virtual Chip mode
  - setup..... 104
  - software option..... 103
  - WXvchip.opt file..... 103
- W-Z**
- Warnings
  - cleaning..... 14
  - Controller/Camera cable..... 19
  - module installation/removal under power..... 18
  - opening the ST-133 power module..... 113
  - operation without evacuation or backfill..... 14
  - operation without proper evacuation..... 141
  - overtightening ST-133 module screws..... 126
  - power cord polarity..... 13
  - protective grounding..... 13
  - shutter connect or disconnect under power..... 17
  - shutter drive setting..... 22
  - ST-133 fuse type..... 113
  - ST-133 module installation/removal..... 125

---

Warnings (cont.)		Warranties (cont.)	
touching the CCD array .....	14	x-ray detector .....	162
UV scintillator .....	16	your responsibility .....	163
window removal .....	14	Website .....	164
Xenon and Hg arc lamps .....	44	Well .....	56
Warranties		Well capacity .....	60
image intensifier detector .....	162	restrictions on hardware binning .....	70
normal wear item disclaimer .....	161	table of .....	70
one year .....	161	Wizard	
one year on refurbished/discontinued products .....	161	Camera Detection .....	41, 112
owner's manual and troubleshooting .....	163	Hardware Setup .....	42, 112
sealed chamber .....	162	Upgrade Device Driver .....	33
software .....	162	Wxvchip.opt file .....	103
vacuum integrity .....	162	Zero adjustment .....	20
XP vacuum chamber .....	161	Zoom function .....	46

## Free Manuals Download Website

<http://myh66.com>

<http://usermanuals.us>

<http://www.somanuals.com>

<http://www.4manuals.cc>

<http://www.manual-lib.com>

<http://www.404manual.com>

<http://www.luxmanual.com>

<http://aubethermostatmanual.com>

Golf course search by state

<http://golfingnear.com>

Email search by domain

<http://emailbydomain.com>

Auto manuals search

<http://auto.somanuals.com>

TV manuals search

<http://tv.somanuals.com>