



TEATRO
V-3.0 AND PC-3.0
FLAT PANEL
L-C-R SOUND BAR SPEAKER





TEATRO V-3.0 AND PC 3.0 FLAT PANEL L-C-R SOUND BAR SPEAKER

Thank you for purchasing the Phase Technology TEATRO LCR high definition flat panel sound bar speaker system. The TEATRO sound bar speaker's Left-Center Right configuration with Phase Technology's **Enhanced Voice Technology, EVT™** center channel design and our **Spatial Field Expander, SFE™** enable the speaker to provide outstanding dialogue clarity for movies with an open wide sound stage normally obtained only with separate component speaker systems.

The TEATRO sound bar speakers are a compact design made to fit under flat panel TV's. For "on wall" applications they come with a mount bracket that has adjustments for lining up and vertically leveling the speaker with the flat panel TV. There are also threaded inserts located on the rear of the cabinet for applications where mounting the speakers to a display wall bracket mechanism is required.

Note: Please check with the mount manufacture for compatibility if you are using a flat panel display mount that includes speaker mounting brackets. Check the specifications for total weight limitations and make sure it will support a sound bar speaker of between 25-30 Lbs.

CAUTION: BE VERY CAREFUL NOT TO DAMAGE THE MIDRANGE DOMES WHILE HANDLING THE TEATRO PC-3.0.

WALL MOUNTING

When selecting the speaker mounting location, it is prudent to take a few extra minutes to carefully inspect and measure the wall where you intend to mount the TEATRO sound bar speakers and your flat panel display. An inspection of the room or rooms that back-up to the wall you have selected for mounting the TEATRO sound bar speakers can often alert you to potential obstacles. For example, if the wall you want to mount to happens to be the common wall for a bathroom or kitchen, there is a good chance you will encounter water or sewer pipes in the wall that will not be detected by a stud-finder. An electronic stud-finder is a useful tool to assist you in selecting the speaker placement, however be cautious as they often give false readings. It is recommended that wherever possible you try to fasten these mounting brackets to a vertical stud with the appropriate wood screws. If it is not possible to mount the brackets over the studs then it is recommended that the appropriate hollow wall anchors or toggle bolts be used for the weight of each speaker system. Be certain to use at least 4 of the mounting holes on each bracket to assure a safe and reliable installation.

Note; please try to mount the speaker so that the sides of the speaker cabinet are not obstructed to take full advantage of Phase Technology's Spatial Field Expander, SFE™ design.

Step 1

Determine that the desired mounting location is safe and clear of any physical obstructions that might hinder the proper installation of the speakers. If the flat panel monitor is already installed on the wall you can use it as a guide for the installation of the speakers. For the best appearance it is recommended that the speakers be installed symmetrically beneath the monitor. The spacing from the monitor is not critical so you may use whatever is most appealing aesthetically but the speakers' response characteristics will be best if you stay within a few inches of the display.

Special consideration must be taken to run three (3) sets of speaker leads to the TEATRO sound bar speakers. One pair each will be connected to the left and right channel on your amplifier and the other pair will be used for the center channel. Be certain that you can get the speaker wire to the locations that you plan to mount the speaker systems.

Please note that the TEATRO sound bar speakers are designed to mount very close to the wall and the brackets only allow about 1" of clearance so be certain to make allowances for this with your speaker connectors and wire clearances.

Check with your Phase Technology dealer for their recommendation on the best wire for your application but we suggest that you use a minimum of AWG #16 wire for the speakers. Pre-run your speaker wire to the determined locations and be certain to leave about 2 feet of extra wire for the final speaker installation. Also check the wall construction in the desired mounting locations as mentioned above as well as the required hardware for the mounting brackets. If the flat panel monitor is not yet mounted to the wall, mount the display first before mounting the speakers.

Step 2

Normal mounting for the TEATRO sound bar speaker is centered directly below the display. Both the speaker and the brackets have a series of holes that allow for flexibility in mounting. The brackets can also slide inside each other for left/right positioning adjustments. The holes in the brackets allow them to be positioned for attaching to 16" on center studs. There are 4 identical brackets supplied with the speaker. Two are mounted to the wall. Two are mounted to the rear of the speaker cabinet.

Measure your display and find the center of the width dimension. The brackets should be positioned 5" either side of this center line. Using the mounting bracket as a guide, measure 1 ½" from the bottom of the display to the top edge of the bracket and 5" over from the center line to the bracket edge (see fig. 1). This will allow about a ¼" space between the bottom of the display and the speaker cabinet. This spacing can be adjusted to suit personal taste or applications as necessary. Use a level to make sure the mounting bracket is straight. With the bracket positioned in the desired location use a pencil to mark at least 4 mounting holes on the wall for the bracket mounting screws. Try to have at

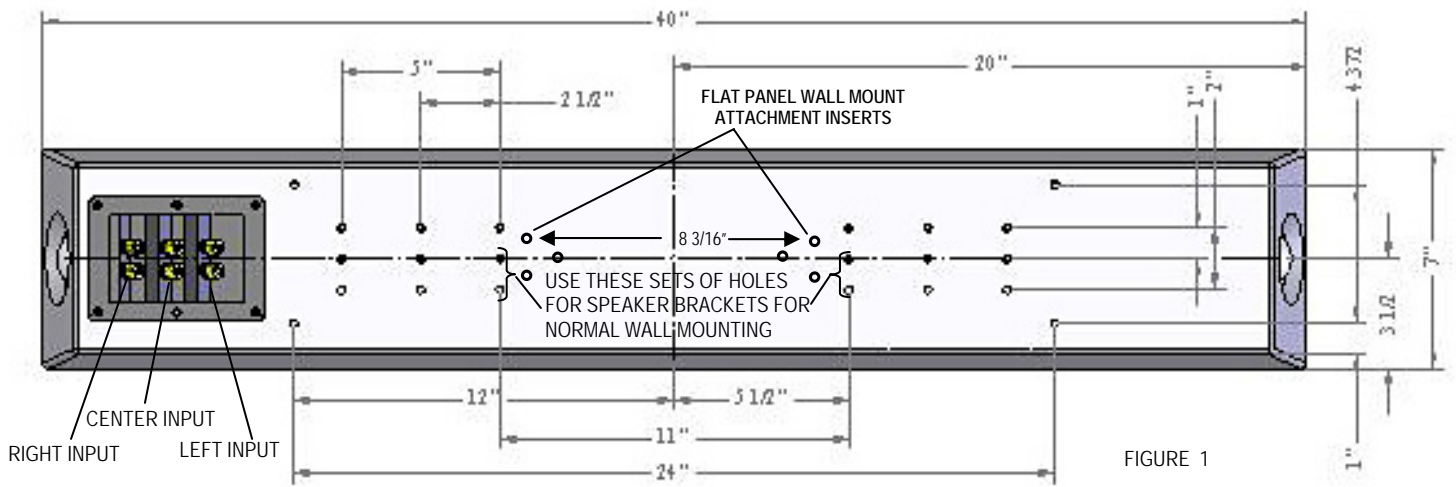


FIGURE 1

least 2 holes on each bracket that line up over a wall stud. Drill the wall and install your anchors and fasten the brackets to the wall with the "J" bend at the bottom (fig. 2 & 3).

Step 3

Place your TEATRO sound bar speaker face down on a soft clean surface with the grille on. Orient the speaker so the input terminal is on the left hand side. The second pair of steel brackets supplied with the speaker is designed to attach to the threaded inserts on the rear of the speaker cabinet with the 8 supplied #10-32x3/8" Phillips screws. Simply align the holes on the brackets with the center and bottom set of mounting holes on the rear of the speaker. Position the brackets similar to the ones mounted on the wall with the "J" bend up so it can hook into the wall bracket. Attach brackets to the rear of the speaker using 4 screws per bracket (fig. 1 & 2).

Install one each of the 6, #10-32x1" Phillips screws in the threaded nut located in the bottom center of the "J" bend of the two wall mounted brackets. These screws are for leveling the speaker. Just start the screws but do not screw in at this time.

Install the other 4, 1" screws in the end mounted nuts of the cabinet mounted brackets. These are the bracket locking screws and should be install so they can be adjusted from the bottom of the speaker (fig. 3).

Assemble the 2 rubber stand-off bumpers next. Thread one nut onto each bumper stand-off and then one nylon washer. Run the nut about half way down the screw. Thread each of the bumper stand-offs into the 2 lower inserts located on the bottom rear edge of the cabinet.

Step 4

There is 3 pair of gold binding post terminals on the rear of the speaker cabinet. The terminals are marked for **Right Input**, **Center Input** and **Left Input** and should be connected to the respective speaker channel outputs on your receiver. Connect the speaker wires to the correct terminals observing the polarity indicated on the terminal. Red is + or positive and black is - or negative. Strip about 1/2" of insulation from the wires and separate the wires as necessary. If you are using other wire lugs or connectors, attach them at this time to the bare wire. Unscrew the binding post terminals and slip the stripped end of the wire through the hole in the metal post. Secure the wire in the post by tightening the binding post terminal nut down on the bare wire or lug. Make sure the nut is tight and the wire will not pull out of the terminal by lightly pulling back on the wire. Tuck the speaker wire in behind the speaker cabinet and if necessary or neaten up the wire with the use of tie wraps.

Step 5

The TEATRO sound bar speaker is now ready to be mounted to the brackets that were screwed to the wall in step 2. The brackets are made to interlock with each other. Raise the speaker so the brackets on the rear of the cabinet are aligned with the wall brackets and engage the "J" bends in the two sets of brackets together. If the speaker is being installed very close to the bottom of the flat panel display the speaker brackets can be slid into each other from the side. After the brackets are interlocked, it is a simple matter to center the speaker by sliding it side to side. The speaker can also be leveled by turning in the appropriate height adjusting screw to raise and lower the ends of the speaker. This is done with a #2 Phillips screwdriver from the bottom side of the bracket. Once the speaker position is trimmed up it should be locked in place using the 4 locking screws in the speaker bracket (fig. 3). Be careful not to over tighten the screws.

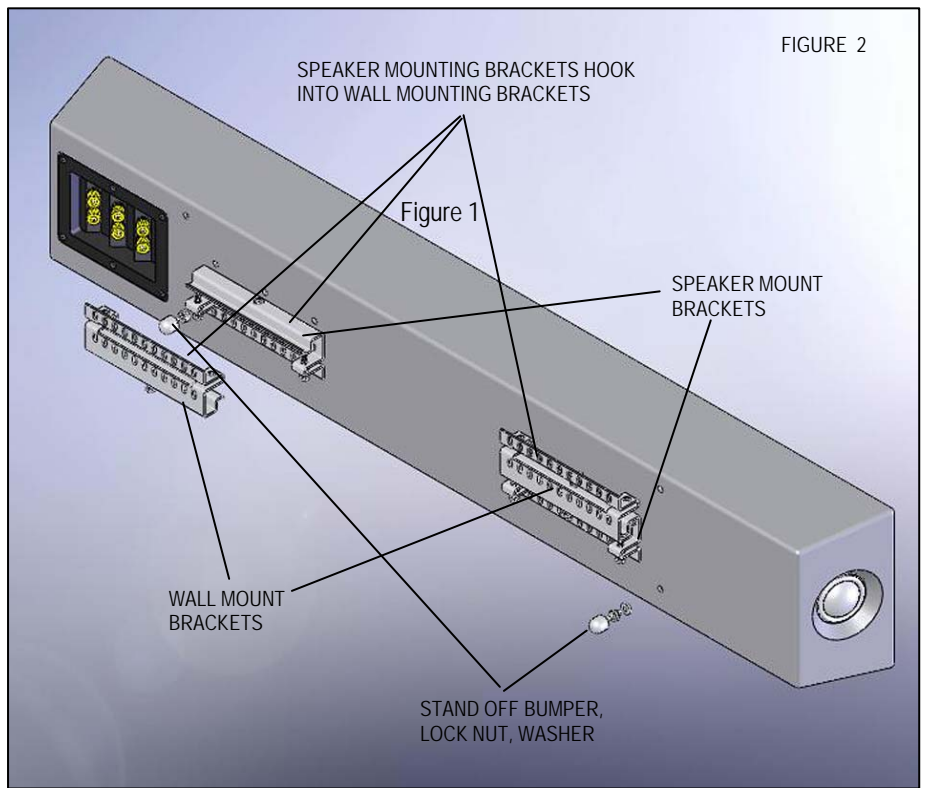


FIGURE 2

Adjust the rubber stand-off bumpers by turning them either in or out to adjust the tilt of the speaker until the front is vertical. Lock the adjusting screws in place by tightening the locking nuts against the rear of the cabinet. Please be certain that the nylon washer is between the nut and the cabinet to protect the cabinet finish.

Step 6

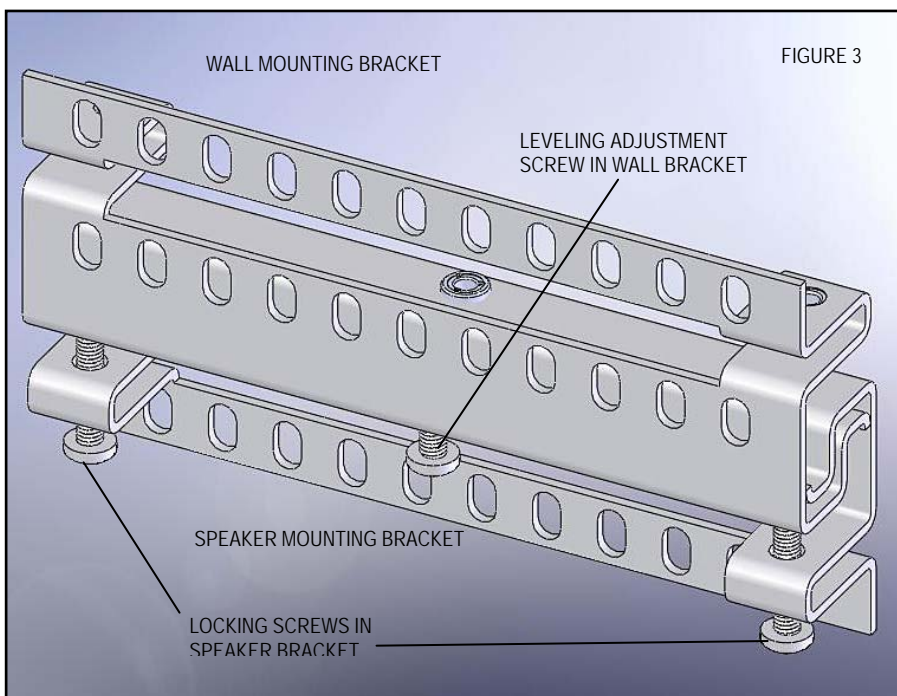
Since the TEATRO sound bar speakers form the front 3 speakers in a home theater system for flat panel displays they are to be used and set up as you would any normal 5.1 to 7.2 surround sound system for balance and level adjustments. The amplifier should be set to the small speaker mode for the left/center/right front speakers for the best performance. The subwoofer setting should be set to 80 Hz. We recommend the use of our Phase Technology subwoofers and surround speakers for complimenting your installation.



Step 7

The **EVT™** switch which is located on the front of the speaker under the grille activates Phase Technology's **Enhanced Voice**

Technology feature. This feature is designed to improve the clarity of the voice or dialogue from the center channel speakers in the system. Flipping the switch to the "UP position engages the circuit and "DOWN" turns it off.



MOUNTING TO FLAT PANEL MOUNTING BRACKETS

There are additional mounting inserts on the rear of the speaker cabinet to facilitate attaching the sound bar speakers to on wall flat panel mounts, see note figure 1. There are 6 threaded inserts provided that coincide with the requirements of most manufactures mounts. Please check with your mount manufacture for applications and compatibility.

TEATRO SOUND BAR SPEAKER SPECIFICATIONS

MODEL	T-V3.0	T-PC3.0
TWEETER	1" SOFT DOME x 3	1" SOFT DOME x 3
MIDRANGE	-----	1.5" SOFT DOME x 3
WOOFER	5.25" VDT x 3	5.25" RPF x 3
FREQUENCY	55Hz-22kHz	52hz-22kHz
SENSITIVITY	91 dB	89 dB
IMPEDANCE	4 OHMS	4 OHMS
MAXIMUM POWER	120 WATTS	150 WATTS
DIMENSIONS	40" (W) x 7" (H) x 4 1/2" (D) (5 1/2" with bracket)	
FINISH	SATIN BLACK	GLOSS BLACK
WEIGHT	25 LBS	30 LBS

Free Manuals Download Website

<http://myh66.com>

<http://usermanuals.us>

<http://www.somanuals.com>

<http://www.4manuals.cc>

<http://www.manual-lib.com>

<http://www.404manual.com>

<http://www.luxmanual.com>

<http://aubethermostatmanual.com>

Golf course search by state

<http://golfingnear.com>

Email search by domain

<http://emailbydomain.com>

Auto manuals search

<http://auto.somanuals.com>

TV manuals search

<http://tv.somanuals.com>