



Specifications: XT610-T32 XT610-4

System Type	
	5.25" coax outdoor (voice coil/4 Ohm direct or 32 Watt transformer for 70.7/100 Volt applications)
Frequency Response (-3 dB) ¹	82 Hz – 20 kHz
Frequency Response (-6 dB) ¹	68 Hz – 20 kHz
Low Frequency (-10 dB) ¹	60 Hz
Max. Program Power	120 W
Max. Continuous Power RMS ²	60 W
Max. SPL dB @ 1M	105 dB
Sensitivity dB @ 1W/1M ³	87 dB
Impedance	4 Ohm (nominal value)
Tap Selector	Selectable via tap wires

Transformer Taps

70.7 V	Output	100 V	Output
32 W	102 dB	n/a	n/a
16 W	99 dB	32 W	102 dB
8 W	96 dB	16 W	99 dB
4 W	93 dB	8 W	96 dB

Coverage Angle (-6 dB @ 2 kHz)	360° horizontal x 40° vertical coverage pattern
Transducers	
Low Frequency Driver	1 x 130 mm (5.25 in) weatherproof fiber cone, treated fabric surround
High Frequency Driver	1 x 25 mm (1.0 in) silk dome
Crossover Frequency	4 kHz
Inputs	Selectable tap wire
Enclosure Material	Roto-molded polyethylene plastic
Colors	Green granite, custom colors available
Diameter	368 mm (14.5 in)
Total Height	396 mm (15.6 in)
Weight	4.31 kg. (9.5 lbs)
Accessories	
Included Accessories	Anti-theft brackets

Key Features

- BroadBeam® wide dispersion pattern provides smooth off-axis coverage and reduces overall system costs.
- One 130 mm (5.25 in) weatherproof fiber woofer and one 25 mm (1.0 in) silk dome tweeter.
- Professional-grade components for lasting performance and durability.
- Patented ZeroReflection™ enclosure for enhanced bass response.
- Liquid-tight compression fittings for water-tight protection.
- UV, weed-whacker and weather resistant for long-lasting performance.
- Multiple inlet locations for fast and easy daisy chaining.
- Voice coil / 4 Ohm direct & 70.7 / 100 Volt model options.
- Green granite standard color; custom color options available.

Applications

The SoundTube XT610 is a premium 2-way outdoor loudspeaker solution for installations requiring high-performance sound in a durable speaker design. The XT610 is designed for full-range background / foreground music and paging. The ultra-wide 360° dispersion pattern makes the XT610 an ideal choice for theme parks, promenades, playgrounds, shopping malls, restaurants, resorts, gardens and other outdoor applications.

XT610 speakers come with in-ground anti-theft brackets for increased outdoor security.

Reduce Overall System Costs

SoundTube's BroadBeam® dispersion technology utilizes an advanced diffuser / tweeter system to provide maximum dispersion across the entire audio spectrum, resulting in excellent off-axis response well beyond 10 kHz.

Designed specifically for outdoor music & paging, the XT610 projects even coverage and smooth response over a larger area than typical outdoor speakers, with fewer units per install – saving time and money on speakers, installation and amp power.

¹ Frequency response is measured in half space and includes a low-frequency peak > + 3 dB.

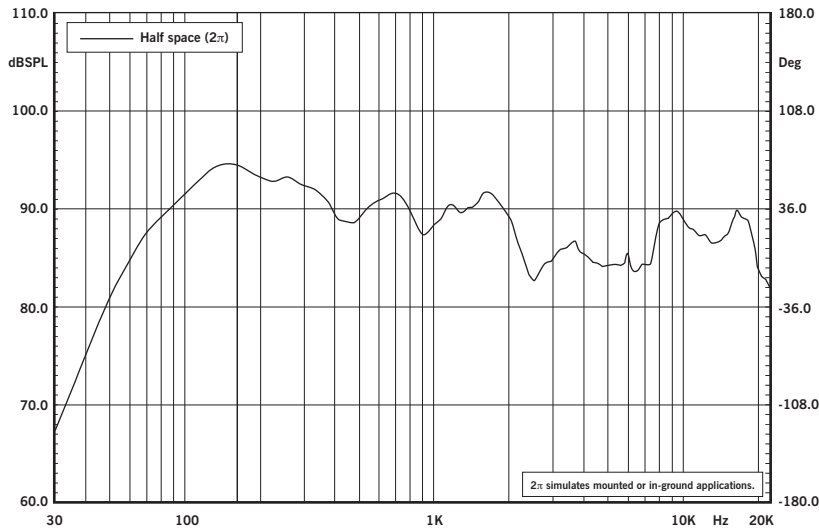
² Continuous power rating, EIA-426-B test.

³ 2.83 Volts at a distance of 1 meter.

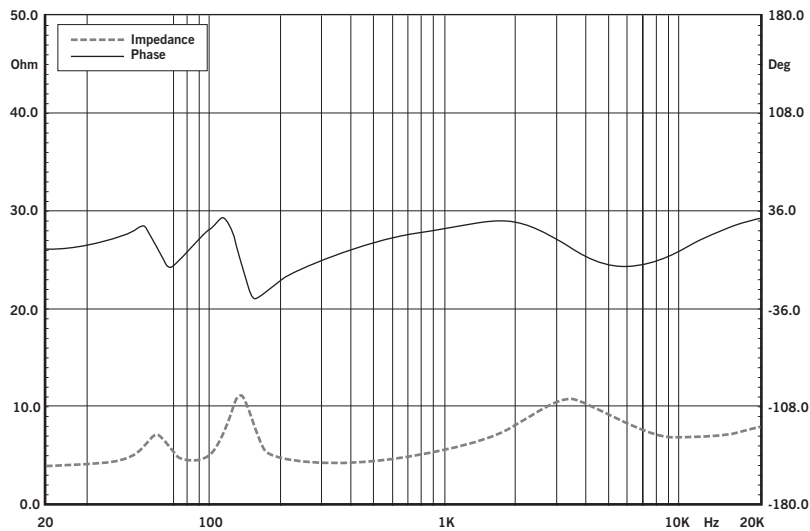
SoundTube continually develops new product innovations and improvements. Updates to existing products without prior notice are an example of SoundTube's drive for constant improvement.



Frequency Response



Phase/Impedance Reponse



Enclosure Technology

XT enclosures are engineered for maximum durability and performance. Unlike other outdoor speakers, SoundTubes incorporate patented ZeroReflection™ internal shaping to create the most effective environment for sound reproduction. The result is accurate sound and tight bass in an indestructible enclosure.

Technical Data

SoundTube Entertainment strives to provide complete and effective technical information and data to dealers, engineers and designers. All data are available from SoundTube Entertainment or at www.soundtube.com.

Technical data and downloads include:

Tech Sheets – Technical information and architectural specs for system engineers.

Data Acquisition

All performance data acquired at SoundTube's Technical Measurement Center (TMC) are analyzed using standardized measurement techniques, including Measured Length Sequence (MLS) and Time Delay Spectrometry (TDS). Performance, development, and data acquisition tools include: Gold Line TEF20 Suite, CLIO, LMS, LEAP, and proprietary modeling software.

Data for Other SoundTube Products

Also available: Sales & installation information for all SoundTube speaker systems, including open-ceiling, in-ceiling, surface-mount, in-ground and sound-focusing speakers.

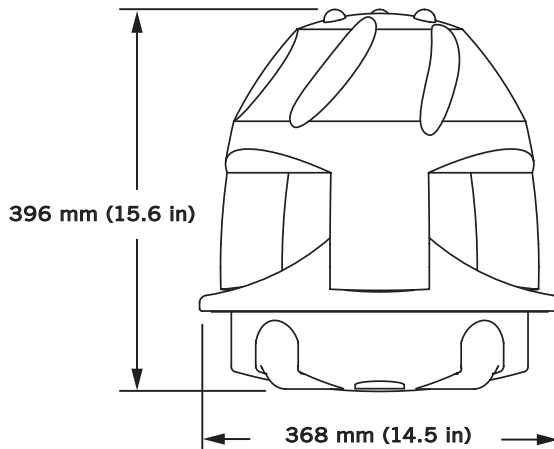
Architectural Specifications

The loudspeaker shall be of in-ground design consisting of one 130 mm (5.25 in) low-frequency transducer and one 25 mm (1.0 in) silk dome high-frequency transducer with a frequency-dividing network installed in a vented enclosure. The low-frequency voice coil diameter shall be 25 mm (1.0 in).

Performance specifications of a typical production unit shall be as follows: Usable frequency response shall extend from 60 Hz – 20 kHz. The loudspeaker shall be available in separate 32W transformer and 4 Ohm models. Taps shall be nominally 4 W



Mechanical Drawings



@ 70.7 V (8 W @ 100 V), 8 W @ 70.7 V (16 W @ 100 V), 16 W @ 70.7 V (32 W @ 100 V), 32 W @ 70.7 V (tap position not used @ 100 V). The frequency-dividing network shall have a crossover frequency of 4 kHz. Rated power capacity of the components and network shall be at least 60 Watts continuous RMS power.

The enclosure shall be constructed of a roto-molded polyethylene plastic. The grille shall be constructed of heat-resistant ABS plastic material. All transducers and network circuitry are weather resistant to provide optimum sound quality and durability for outdoor applications.

Installation shall be by in-ground mount. The external wiring input connector shall be hardware leads. The overall cabinet dimensions shall be no more than 368 mm (14.5 in) in diameter by 396 mm (15.6 in) in height and shall weigh no more than 4.31 kG (9.5 lbs).

The low-frequency transducer shall have a weatherproof fiber cone with treated fabric surround formulated to resist weather elements and insects. The high-frequency transducer shall be constructed of a silk dome configuration.

For theft deterrence, all XT610 speakers come with anti-theft brackets.

The systems shall be the SoundTube XT610-4 for low impedance and XT610-T32 for high impedance.

SoundTube Entertainment

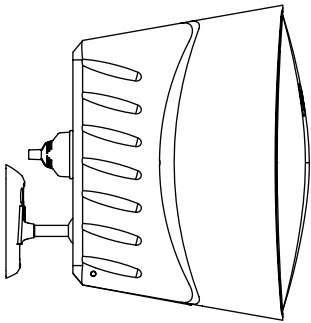
6430 North Business Park Loop
Park City, Utah 84098
Phone 435.647.9555
Fax 435.647.9666
Toll Free 800.647.TUBE
www.soundtube.com

All SoundTube products come with a 5-year limited warranty.

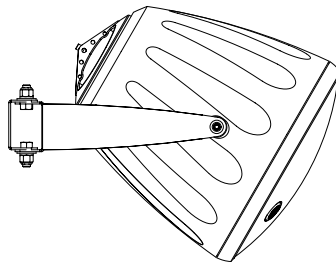
SoundTube Entertainment manufactures a complete line of speakers for:

Open-Ceiling • In-Ceiling • Surface-Mount • Outdoor • Sound-Focusing

SoundTube's complete line of outdoor products includes:

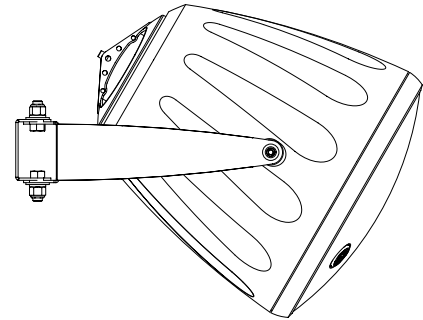
**SM500i**

5.25" Surface-mount
6-position tap for 25/70.7/100 V
with voice coil/8 Ohm direct
systems

**RS600i**

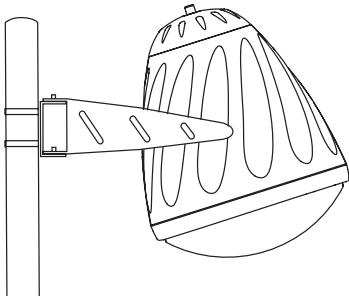
with surface-mount option

6.5" Surface-mount
6-position tap for 25/70.7/100 V
with voice coil/8 Ohm direct
systems

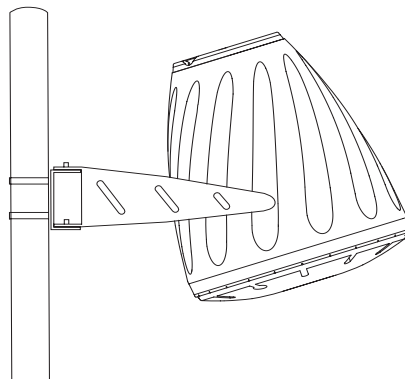
**RS800i**

with surface-mount option

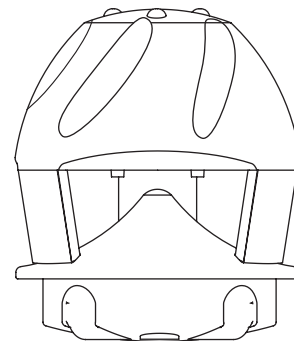
8" Surface-mount
6-position tap for 25/70.7/100 V
with voice coil/8 Ohm direct
systems

**HP8i - SM**

8" 2-way outdoor
wall/pole mount
64 Watt voice coil/8 Ohm direct
systems

**HP12i - SM**

12" 2-way outdoor
wall/pole mount
64 Watt or voice coil/8 Ohm direct
systems

**XT800**

8" 2-way outdoor in-ground
64 Watt or voice coil/8 Ohm direct
systems

To download tech sheets for all SoundTube products visit: www.soundtube.com

SoundTube Entertainment manufactures a complete line of speakers for:
Open-Ceiling • In-Ceiling • Surface-Mount • Outdoor • Sound-Focusing

All SoundTube products are designed and engineered in the USA.

Free Manuals Download Website

<http://myh66.com>

<http://usermanuals.us>

<http://www.somanuals.com>

<http://www.4manuals.cc>

<http://www.manual-lib.com>

<http://www.404manual.com>

<http://www.luxmanual.com>

<http://aubethermostatmanual.com>

Golf course search by state

<http://golfingnear.com>

Email search by domain

<http://emailbydomain.com>

Auto manuals search

<http://auto.somanuals.com>

TV manuals search

<http://tv.somanuals.com>