

# **Poulan PRO<sup>®</sup>**

## **Parts Manual**

**MODEL**  
**30IZX / 966681701**

**Please read the operator's manual carefully and make sure you understand the instructions before using the machine.**

When you need spare parts or support in service questions, warranty issues, etc., please consult the following professional:

|   |        |              |
|---|--------|--------------|
|   |        |              |
| This Parts Manual belongs to the machine with the manufacturing number: | Engine | Transmission |

### Manufacturing Number

The machine's manufacturing number can be found on the printed plate affixed to the engine compartment. Illustration shown with engine removed.

Stated on the plate, from the top are:

- The machine's type designation (I.D.).
- The manufacturer's type number (Model).
- The machine's serial number (Serial no.)

*Please have the type designation and serial number available when ordering spare parts.*

The engine's manufacturing number is stamped on one of the valve covers.

The plate states:

- The engine's model.
- The engine's type.
- Code

*Please have these available when ordering spare parts.*

The wheel motors and hydrostatic pumps have a barcode decal affixed at the rear.

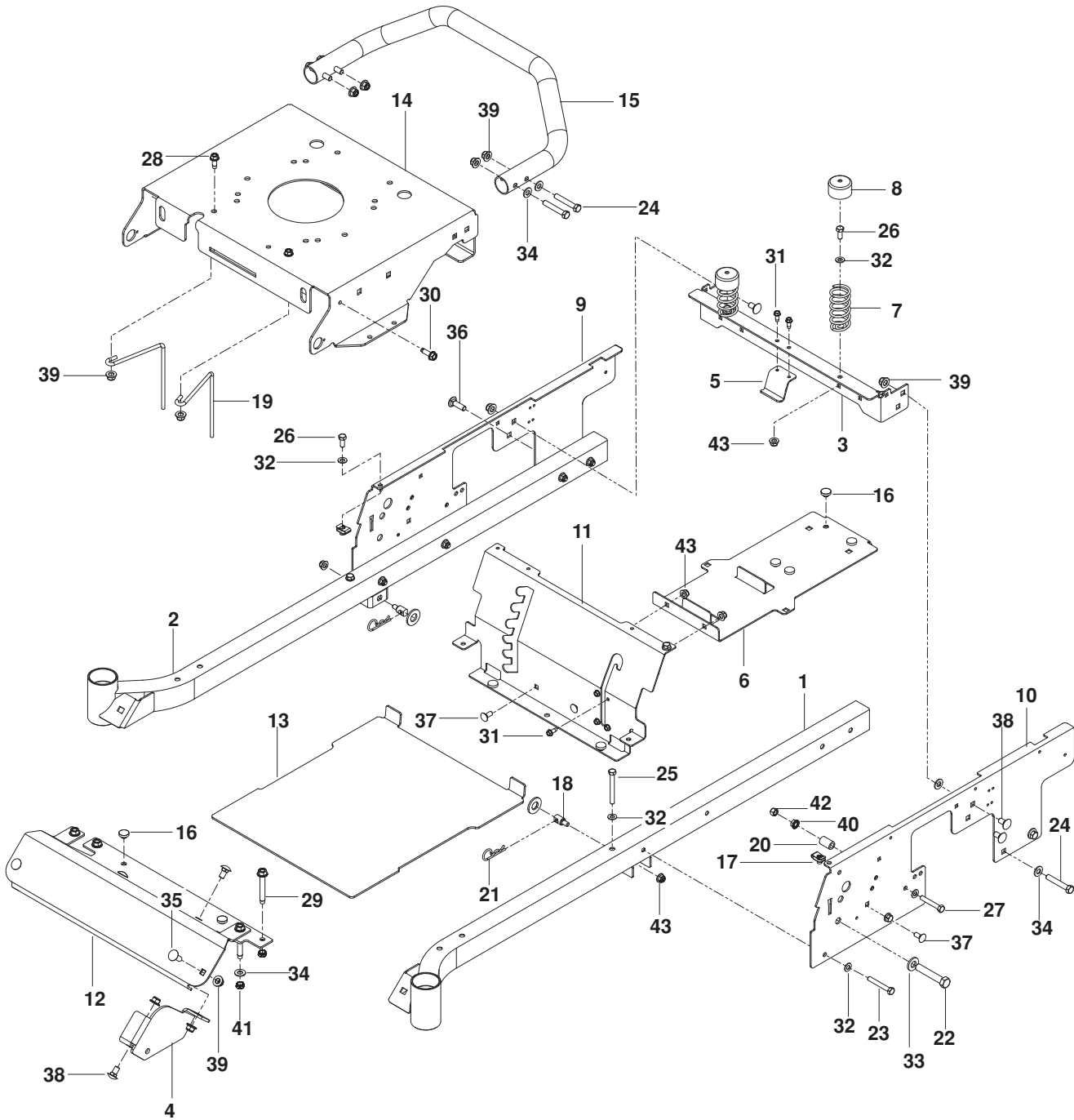
# CONTENTS

---

|                                |    |
|--------------------------------|----|
| FRAME.....                     | 4  |
| ENGINE PLATE.....              | 6  |
| STEERING .....                 | 8  |
| IGNITION SYSTEM.....           | 10 |
| HYDRAULIC PUMP / MOTOR .....   | 12 |
| WHEELS / TIRES .....           | 14 |
| BRAKE / DECK LIFT .....        | 16 |
| MOWER DECK / CUTTING DECK..... | 18 |
| SEAT .....                     | 20 |
| DECALS.....                    | 22 |

NOTE: ALL FASTENERS ARE GRADE 5 UNLESS OTHERWISE SPECIFIED.

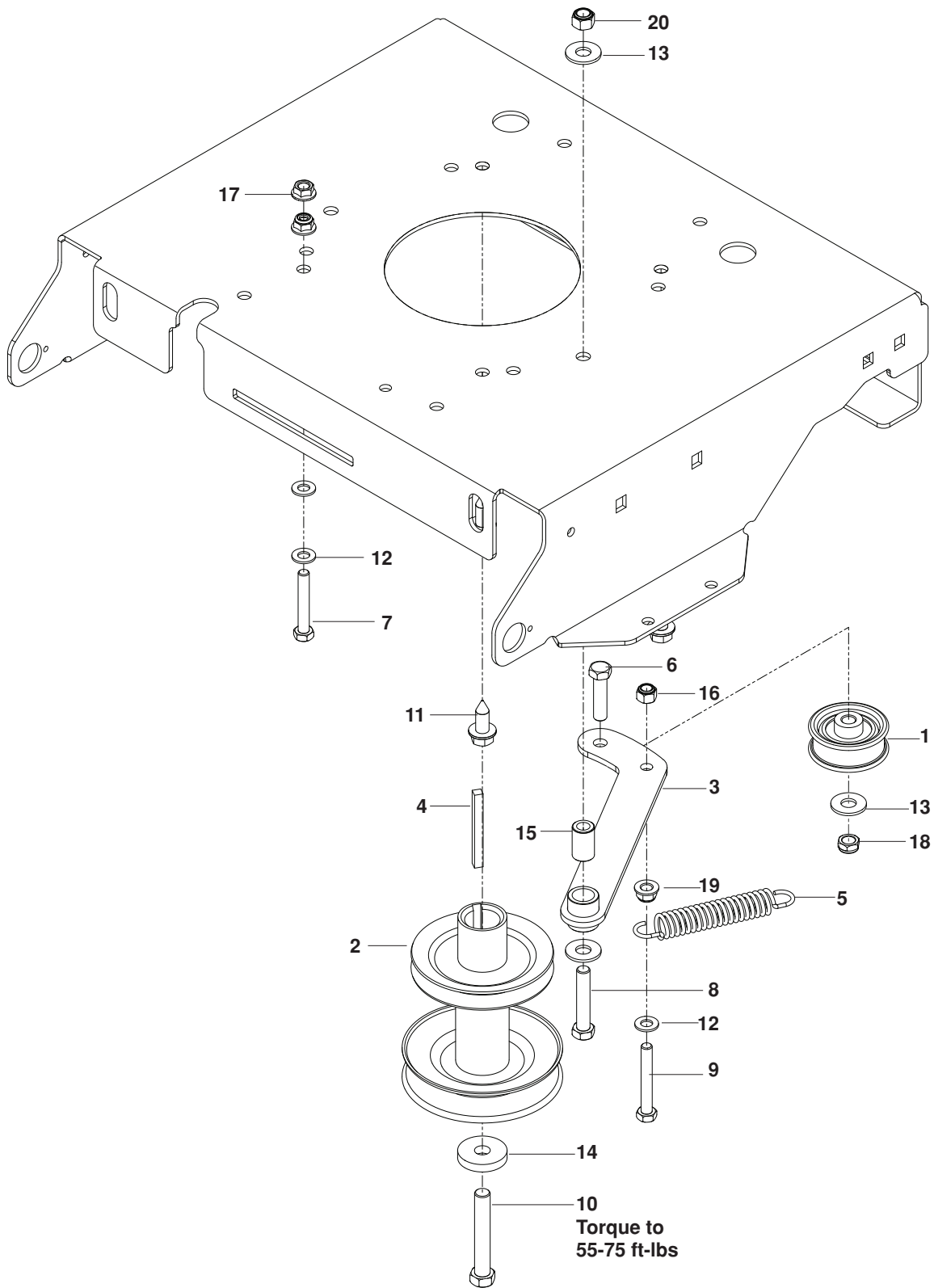
# FRAME



# FRAME

| ITEM | PART NO.       | QTY. | DESCRIPTION                                  | ITEM | PART NO.       | QTY. | DESCRIPTION   |
|------|----------------|------|--|------|----------------|------|---|
| 1..  | 525 454704.... | 1    | .... FRAME TUBE, LH YLW                      | 23.. | 539 976938.... | 4    | .... HCS $\frac{5}{16}$ -18 x 2 $\frac{1}{4}$         |
| 2..  | 525 454904.... | 1    | .... FRAME TUBE, RH YLW                      | 24.. | 539 990629.... | 8    | .... HCS $\frac{3}{8}$ -16 x 2 $\frac{1}{4}$          |
| 3..  | 525 464605.... | 1    | .... SUPPORT, REAR SEAT YLW                  | 25.. | 539 101721.... | 2    | .... HCS $\frac{5}{16}$ -18 x 2 $\frac{3}{4}$         |
| 4..  | 525 605502.... | 1    | .... BRACKET, FRONT DECK BLK                 | 26.. | 539 976934.... | 2    | .... HCS $\frac{5}{16}$ -18 x $\frac{3}{4}$           |
| 5..  | 525 864502.... | 1    | .... BRACKET, FUEL TANK BLK                  | 27.. | 539 976937.... | 2    | .... HCS $\frac{5}{16}$ -18 x 2                       |
| 6..  | 525 798402.... | 1    | .... SUPPORT, TANK BLK                       | 28.. | 539 107476.... | 2    | .... BOLT $\frac{3}{8}$ -16 x 1 THD FRM               |
| 7..  | 539 122632.... | 2    | .... SPRING, SEAT                            | 29.. | 539 111976.... | 4    | .... BOLT $\frac{3}{8}$ -16 x 2 $\frac{5}{8}$ THD FRM |
| 8..  | 539 119884.... | 2    | .... CAP, SPRING                             | 30.. | 539 990369.... | 2    | .... BOLT $\frac{5}{16}$ -18 x 1 THD FRM              |
| 9..  | 575 328404.... | 1    | .... PLATE, LH YLW                           | 31.. | 539 990362.... | 6    | .... SCREW $\frac{1}{4}$ -20 x $\frac{5}{8}$ SLF TAP  |
| 10.. | 575 328304.... | 1    | .... PLATE, RH YLW                           | 32.. | 539 990188..   | 12   | .... WASHER $\frac{5}{16}$ SAE FLAT                   |
| 11.. | 575 852105.... | 1    | .... PANEL, SEAT SUPPORT YLW                 | 33.. | 539 990250.... | 6    | .... WASHER $\frac{1}{2}$ SAE                         |
| 12.. | 522 740710.... | 1    | .... FOOT REST YLW                           | 34.. | 539 990122.... | 6    | .... WASHER $\frac{3}{8}$ SAE FLT                     |
| 13.. | 576 452404.... | 1    | .... FOOT PLATE w/DECALS YLW                 | 35.. | 539 990645.... | 2    | .... RHSNB $\frac{3}{8}$ -16 x 1                      |
| 14.. | 525 462609.... | 1    | .... PLATE, ENGINE YLW                       | 36.. | 539 100413.... | 1    | .... RHSNB $\frac{3}{8}$ -16 x 1 $\frac{1}{4}$        |
| 15.. | 525 865905.... | 1    | .... BAR, IMPACT YLW                         | 37.. | 539 990316.... | 4    | .... RHSNB $\frac{5}{16}$ -18 x $\frac{3}{4}$         |
| 16.. | 539 102587.... | 8    | .... GROMMET, BUMPER                         | 38.. | 539 111785.... | 6    | .... RHSNB $\frac{3}{8}$ -16 x $\frac{3}{4}$          |
| 17.. | 539 104763.... | 4    | .... RETAINER, U TYPE                        | 39.. | 521 996501..   | 14   | .... NUT $\frac{3}{8}$ -16 FLANGE NYLOC               |
| 18.. | 532 195161.... | 2    | .... STUD w/ ANTI-ROTATE                     | 40.. | 539 990585.... | 4    | .... NUT $\frac{5}{16}$ -18 HEX WHIZLK                |
| 19.. | 574 172901.... | 2    | .... GUIDE, BELT                             | 41.. | 539 200282.... | 4    | .... NUT $\frac{3}{8}$ -16 HEX JAM NYLOC              |
| 20.. | 539 119087.... | 2    | .... BUSHING                                 | 42.. | 539 990717.... | 8    | .... NUT $\frac{5}{16}$ -18 HEX NYLOC                 |
| 21.. | 539 976989.... | 2    | .... HAIRPIN                                 | 43.. | 539 112899..   | 14   | .... NUT $\frac{5}{16}$ -18 FLANGE NYLOC              |
| 22.. | 539 101332.... | 2    | .... HCS $\frac{1}{2}$ -13 x 2 $\frac{3}{4}$ |      |                |      |   |

# ENGINE PLATE

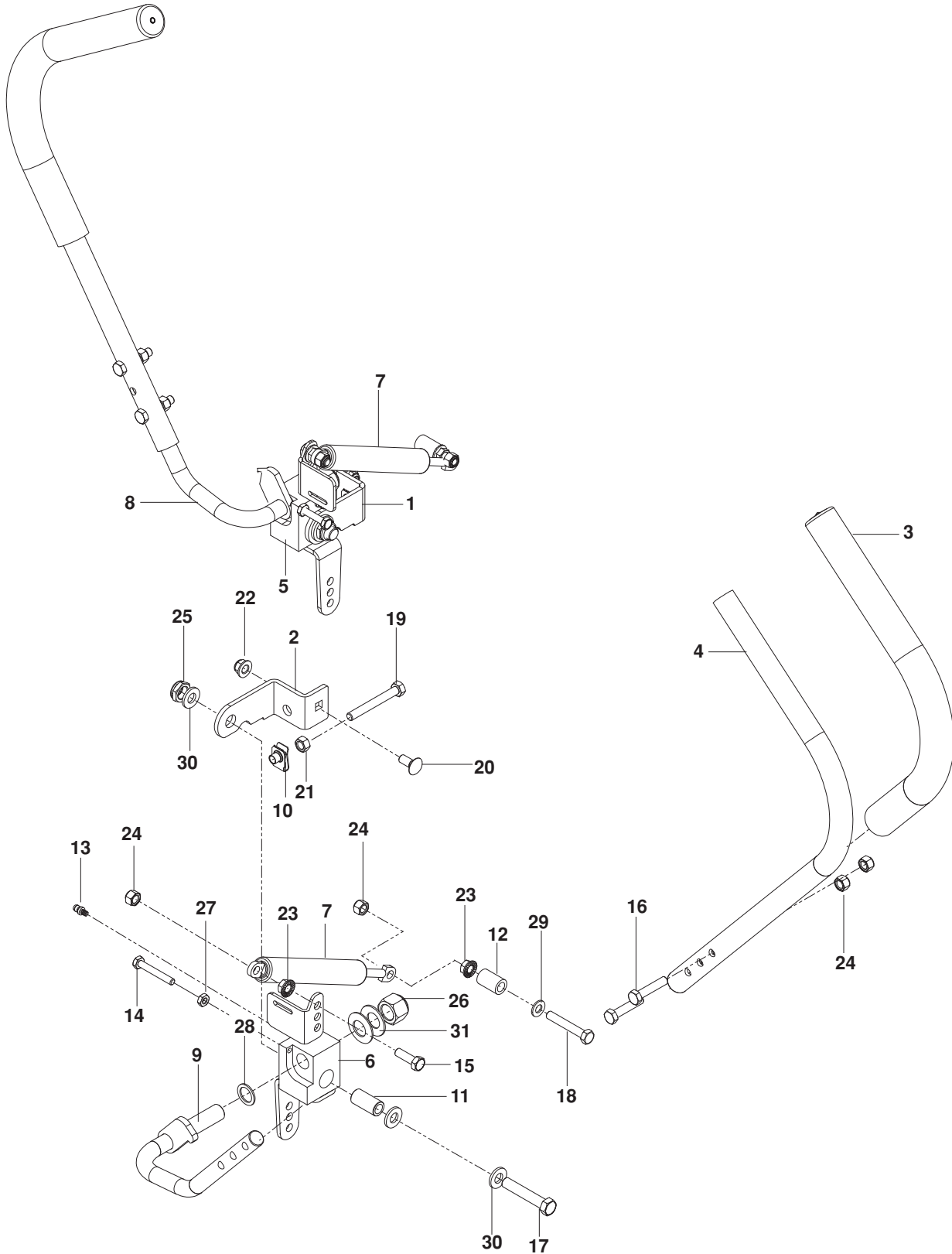


# ENGINE PLATE

---

| ITEM | PART NO.       | QTY. | DESCRIPTION                                 | ITEM | PART NO.       | QTY. | DESCRIPTION                              |
|------|----------------|------|---|------|----------------|------|--|
| 1..  | 539 120812.... | 1    | ....PULLEY, IDLER                           | 11.. | 532 120616.... | 3    | .... SCREW $\frac{3}{8}$ -16 x 1 THD FRM |
| 2..  | 574 872801.... | 1    | ....PULLEY, ENGINE                          | 12.. | 539 990188.... | 3    | .... WASHER $\frac{5}{16}$ SAE FLAT      |
| 3..  | 539 120990.... | 1    | .... IDLER, BLK                             | 13.. | 539 990517.... | 3    | .... WASHER $\frac{3}{8}$ FLAT STD       |
| 4..  | 539 917033.... | 1    | ....KEY $\frac{1}{4}$ SQ x $2\frac{1}{2}$   | 14.. | 539 115546.... | 1    | ....WASHER                               |
| 5..  | 539 116350.... | 1    | .... SPRING $3\frac{1}{2}$                  | 15.. | 539 115270.... | 1    | .... BUSHING, METAL                      |
| 6..  | 539 990655.... | 1    | ....HCS $\frac{3}{8}$ -16 x $1\frac{1}{2}$  | 16.. | 539 990717.... | 1    | .... NUT $\frac{5}{16}$ -18 HEX NYLOC    |
| 7..  | 539 976937.... | 1    | ....HCS $\frac{5}{16}$ -18 x 2              | 17.. | 539 990585.... | 1    | .... NUT $\frac{5}{16}$ -18 HEX WHIZLK   |
| 8..  | 539 990588.... | 1    | ....HCS $\frac{3}{8}$ -16 x 2               | 18.. | 539 200282.... | 1    | .... NUT $\frac{3}{8}$ -16 HEX JAM NYLOC |
| 9..  | 539 976938.... | 1    | ....HCS $\frac{5}{16}$ -18 x $2\frac{1}{4}$ | 19.. | 539 112899.... | 2    | .... NUT $\frac{5}{16}$ -18 FLANGE NYLOC |
| 10.. | 539 110065.... | 1    | ....HCS $\frac{7}{16}$ -20 x $2\frac{3}{4}$ | 20.. | 539 976979.... | 1    | .... NUT $\frac{3}{8}$ -16 HEX NYLOC     |

# STEERING

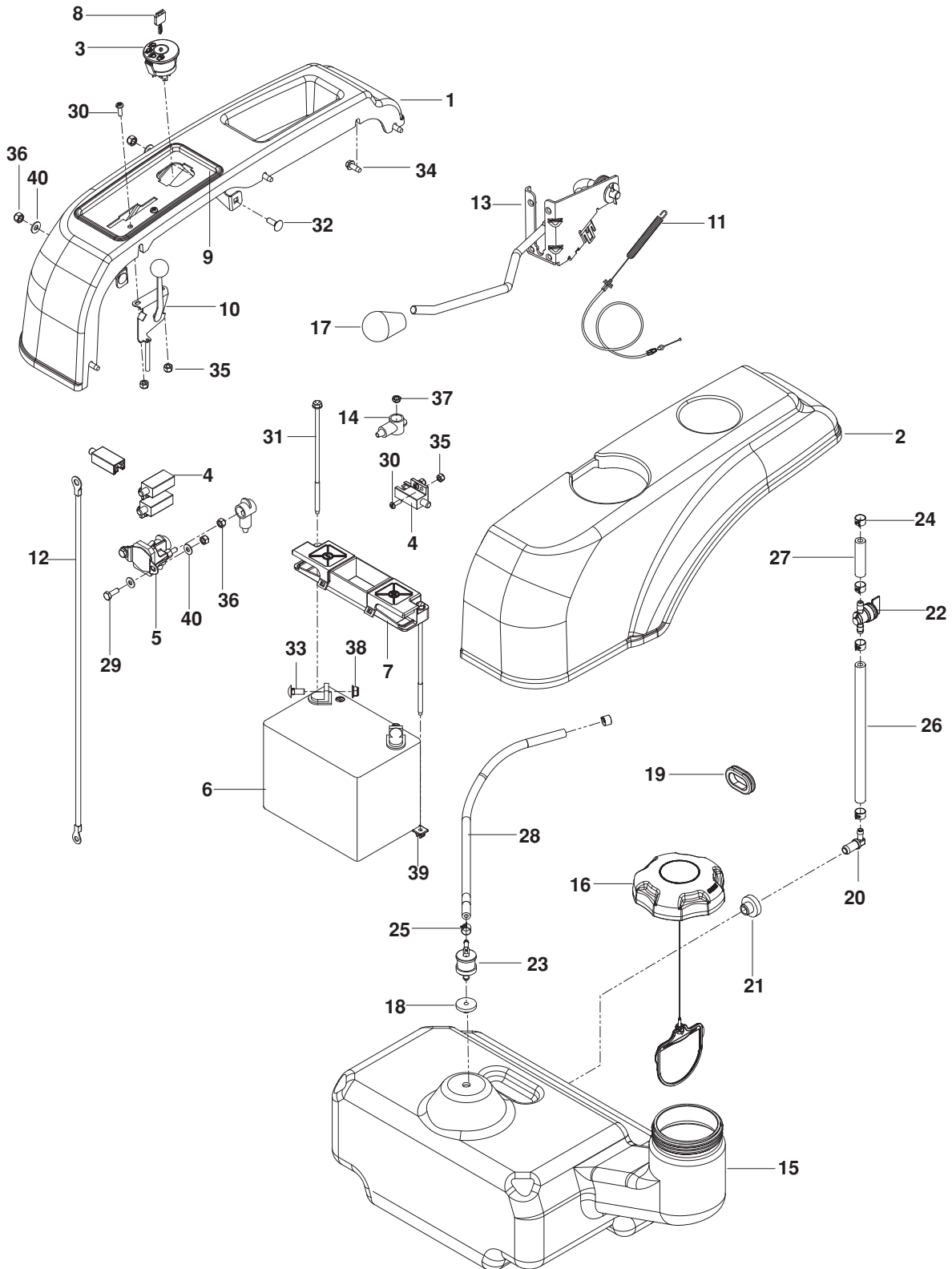




# STEERING

| ITEM | PART NO.       | QTY. | DESCRIPTION                  | ITEM | PART NO.       | QTY. | DESCRIPTION                    |
|------|----------------|------|------------------------------|------|----------------|------|--------------------------------|
| 1..  | 539 117949.... | 1    | .... STOP, STEER CNTRL RH    | 17.. | 539 101332.... | 2    | .... HCS 1/2-13 x 2 3/4        |
| 2..  | 539 117950.... | 1    | .... STOP, STEER CNTRL LH    | 18.. | 539 976937.... | 2    | .... HCS 5/16-18 x 2           |
| 3..  | 539 120899.... | 2    | .... GRIP                    | 19.. | 539 108396.... | 2    | .... HCS 5/16-18 x 2 1/2       |
| 4..  | 539 120160.... | 2    | .... LEVER, UPPER            | 20.. | 539 990316.... | 2    | .... RHSNB 5/16-18 x 3/4       |
| 5..  | 539 120984.... | 1    | .... PIVOT, RH               | 21.. | 539 990196.... | 2    | .... NUT 5/16-18 HEX           |
| 6..  | 539 120983.... | 1    | .... PIVOT, LH               | 22.. | 539 112899.... | 2    | .... NUT 5/16-18 FLG HEX NYLOC |
| 7..  | 539 114453.... | 2    | .... DAMPENER                | 23.. | 539 990585.... | 4    | .... NUT 5/16-18 HEX WHIZLK    |
| 8..  | 539 120159.... | 1    | .... LOWER LEVER, RH         | 24.. | 539 990717.... | 4    | .... NUT 5/16-18 HEX NYLOC     |
| 9..  | 539 120162.... | 1    | .... LOWER LEVER, LH         | 25.. | 539 108010.... | 2    | .... NUT 1/2-13 JAM NYLOC GR 2 |
| 10.. | 539 104763.... | 2    | .... RETAINER, U TYPE        | 26.. | 539 110340.... | 2    | .... NUT 5/8-11 NYLOC          |
| 11.. | 539 120956.... | 2    | .... BUSHING 1/2 ID x 3/4 OD | 27.. | 539 991112.... | 2    | .... NUT 1/4-20 JAM            |
| 12.. | 539 119087.... | 2    | .... BUSHING                 | 28.. | 539 115570.... | 2    | .... WASHER, SPECIAL           |
| 13.. | 539 115638.... | 2    | .... ZERK                    | 29.. | 539 990188.... | 2    | .... WASHER 5/16 SAE FLT       |
| 14.. | 539 991003.... | 2    | .... HCS 1/4-20 x 1 3/4      | 30.. | 539 990250.... | 6    | .... WASHER 1/2 SAE            |
| 15.. | 539 990209.... | 2    | .... HCS 5/16-18 x 1         | 31.. | 539 911121.... | 4    | .... WASHER 5/8 BELLEVILLE     |
| 16.. | 539 976935.... | 4    | .... HCS 5/16-18 x 1 1/2     |      |                |      |                                |

# IGNITION SYSTEM

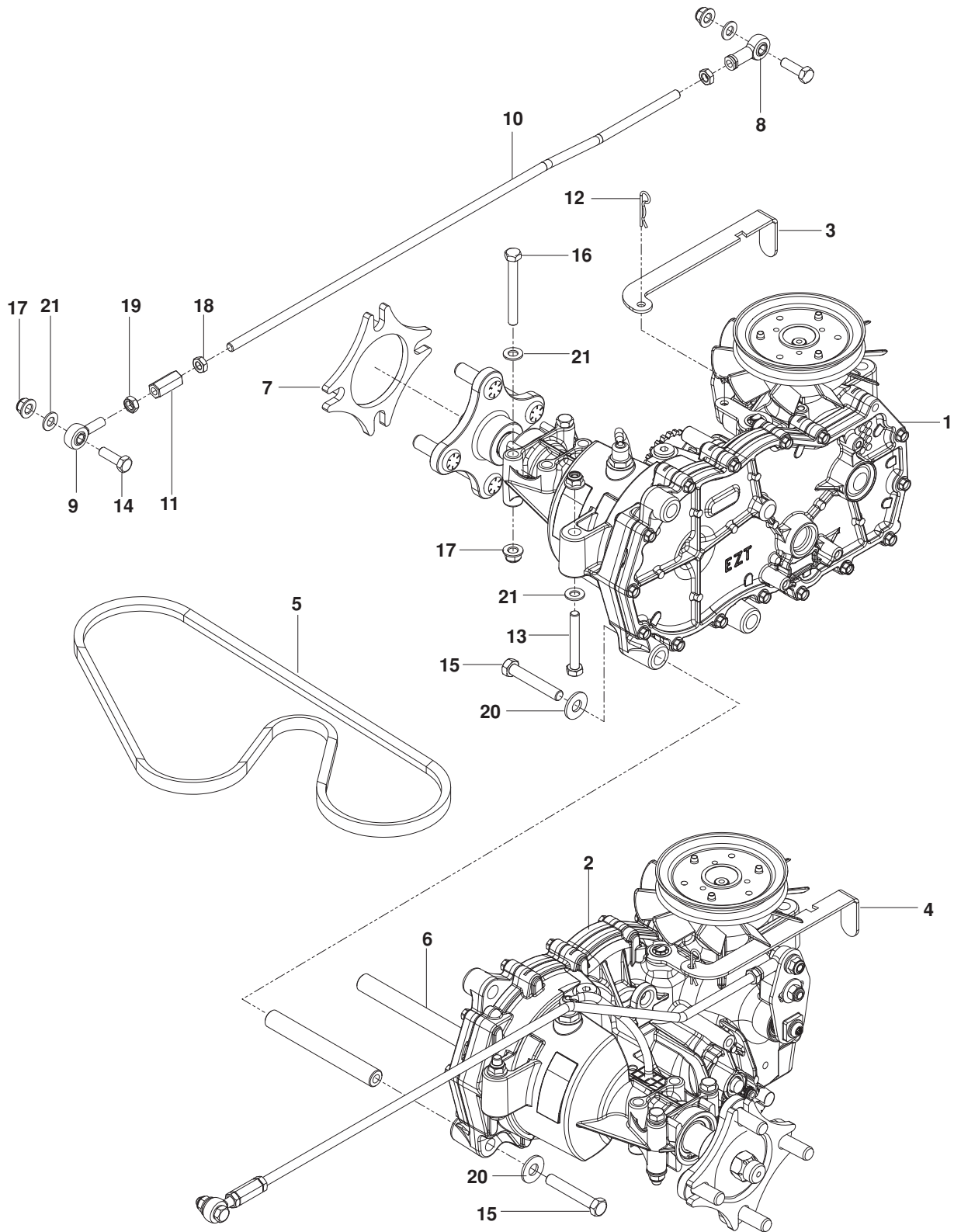


# IGNITION SYSTEM

---

| ITEM | PART NO.       | QTY. | DESCRIPTION             | ITEM       | PART NO.       | QTY. | DESCRIPTION                |
|------|----------------|------|-------------------------|------------|----------------|------|----------------------------|
| 1..  | 539 120193.... | 1    | FENDER, RH              | 24..       | 539 912222.... | 4    | CLAMP, HOSE                |
| 2..  | 539 120192.... | 1    | FENDER, LH              | 25..       | 575 436501.... | 2    | CLAMP, HOSE                |
| 3..  | 539 107541.... | 1    | SWITCH, IGNITION        | 26..       | 539 115736.... | 1    | HOSE 1/4 x 8               |
| 4..  | 539 101080.... | 4    | SWITCH                  | 27..       | 539 121486.... | 1    | HOSE, 1/4 x 2              |
| 5..  | 539 101714.... | 1    | SOLENOID                | 28..       | 574 521305.... | 1    | HOSE, FUEL, 3/16" x 20"    |
| 6..  | 539 102436.... | 1    | BATTERY                 | 29..       | 539 990580.... | 2    | HCS 1/4-20 x 3/4           |
| 7..  | 539 107628.... | 1    | HOLD DOWN, BATTERY      | 30..       | 539 976952.... | 8    | SCREW #10-24 x 5/8         |
| 8..  | 539 107544.... | 1    | KEY, IGNITION           | 31..       | 539 107632.... | 2    | BOLT 1/4 x 7 1/2           |
| 9..  | 525 598601.... | 1    | PANEL, CONTROLS         | 32..       | 539 990074.... | 2    | RHSNB 1/4-20 x 3/4 GR2     |
| 10.. | 522 730101.... | 1    | CABLE, THROTTLE         | 33..       | 539 990316.... | 2    | RHSNB 5/16-18 x 3/4        |
| 11.. | 532 193235.... | 1    | CABLE, CLUTCH           | 34..       | 539 990362.... | 9    | SCREW 1/4-20 x 5/8 SLF TAP |
| 12.. | 539 110068.... | 1    | BATTERY CABLE, NEGATIVE | 35..       | 539 976977.... | 8    | NUT #10-24 HEX NYLOC       |
| 13.. | 575 661501.... | 1    | CLUTCH ASSY w/ CABLE    | 36..       | 539 976978.... | 4    | NUT 1/4-20 HEX NYLOC       |
| 14.. | 539 116400.... | 3    | TERMINAL COVER          | 37..       | 539 108120.... | 1    | NUT 1/4-20 HEX THIN NYLOC  |
| 15.. | 576 369501.... | 1    | TANK, FUEL              | 38..       | 539 112899.... | 2    | NUT 5/16-18 HEX FLG NYLOC  |
| 16.. | 575 018101.... | 1    | CAP, FUEL w/ TETHER     | 39..       | 539 107629.... | 2    | NUT 1/4 PUSH NYLON         |
| 17.. | 539 132624.... | 1    | KNOB, CLUTCH            | 40..       | 539 990055.... | 4    | WASHER 1/4 FLAT SAE        |
| 18.. | 576 618201.... | 1    | GROMMET, CHECK VALVE    | NOT SHOWN  |                |      |                            |
| 19.. | 539 105974.... | 1    | GROMMET, RUBBER         | 539 104974 | ...            | 1    | CABLE, POSITIVE            |
| 20.. | 539 110432.... | 1    | ELBOW                   | 539 103306 | ...            | 1    | CABLE, POSITIVE LONG       |
| 21.. | 539 105245.... | 1    | FITTING, TANK           | 525 744301 | ...            | 1    | WIRING HARNESS             |
| 22.. | 539 916325.... | 1    | VALVE, FUEL             | 539 110290 | ...            | 2    | FOAM STRIP, TANK           |
| 23.. | 576 618101.... | 1    | VALVE, FUEL CHECK       |            |                |      |                            |

# HYDRAULIC PUMP / MOTOR

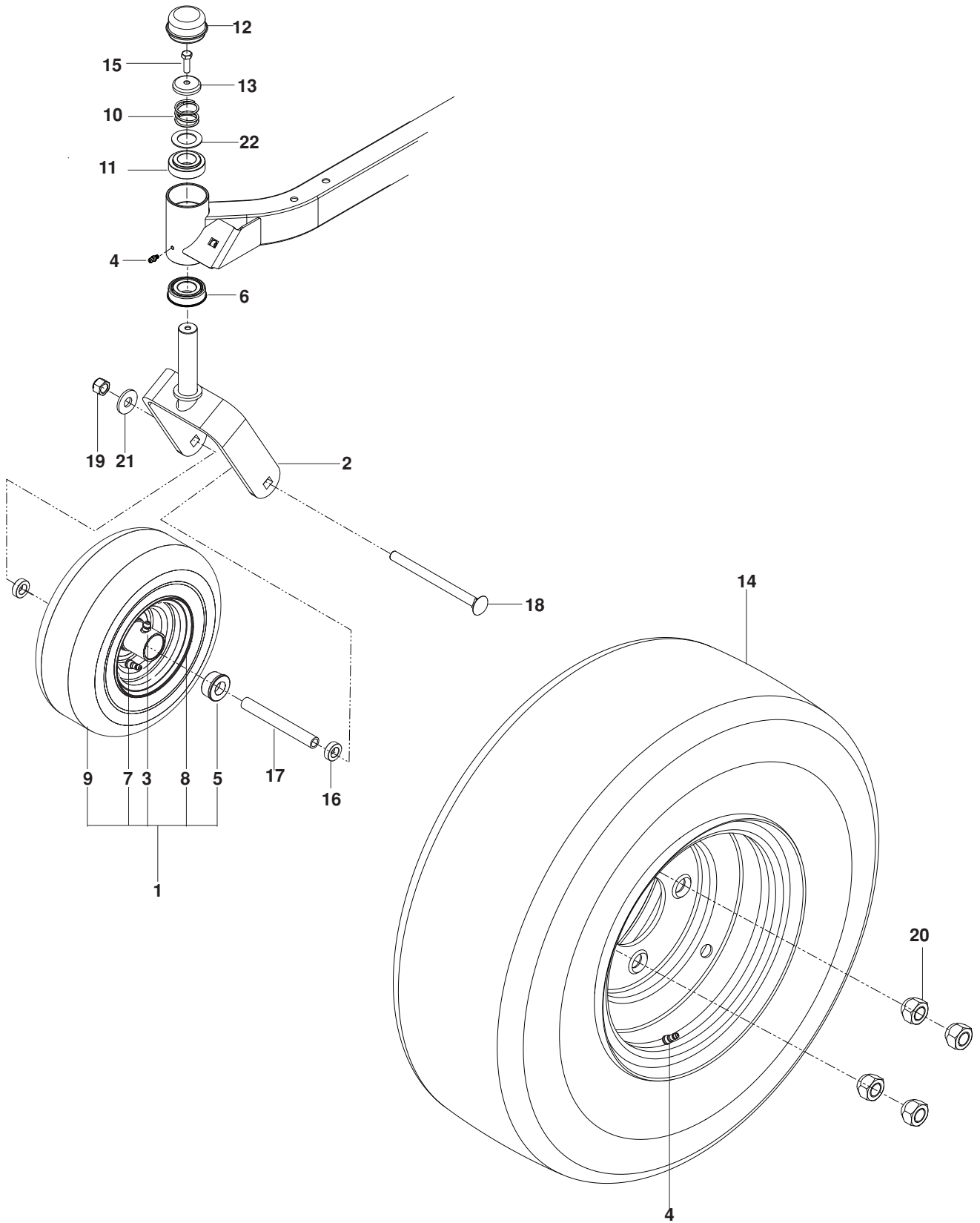


# HYDRAULIC PUMP / MOTOR

---

| ITEM | PART NO.       | QTY. | DESCRIPTION             | ITEM | PART NO.       | QTY. | DESCRIPTION                                  |
|------|----------------|------|-------------------------|------|----------------|------|--|
| 1..  | 539 120152.... | 1    | .... HYDRO, RH          | 12.. | 539 976988.... | 2    | .... HAIRPIN COTTER                          |
| 2..  | 539 120153.... | 1    | .... HYDRO, LH          | 13.. | 539 976938.... | 2    | .... HCS $\frac{5}{16}$ -18 x $2\frac{1}{4}$ |
| 3..  | 539 120157.... | 1    | .... RELEASE HANDLE, RH | 14.. | 539 990209.... | 4    | .... HCS $\frac{5}{16}$ -18 x 1              |
| 4..  | 539 120156.... | 1    | .... RELEASE HANDLE, LH | 15.. | 539 990629.... | 4    | .... HCS $\frac{3}{8}$ -16 x $2\frac{1}{4}$  |
| 5..  | 539 120806.... | 1    | .... BELT, EZT          | 16.. | 539 101721.... | 4    | .... HCS $\frac{5}{16}$ -18 x $2\frac{3}{4}$ |
| 6..  | 539 120154.... | 2    | .... SPACER, HYDRO      | 17.. | 539 112899..   | 10   | .... NUT $\frac{5}{16}$ -18 FLANGE NYLOC     |
| 7..  | 539 114804.... | 2    | .... SPACER, WHEEL      | 18.. | 539 115502.... | 4    | .... NUT $\frac{5}{16}$ -24 HEX JAM          |
| 8..  | 539 115729.... | 2    | .... ROD END, RH        | 19.. | 539 991073.... | 2    | .... NUT $\frac{5}{16}$ -24 HEX JAM LH       |
| 9..  | 539 116690.... | 2    | .... ROD END, MALE LH   | 20.. | 539 990517.... | 4    | .... WASHER $\frac{3}{8}$ FLAT STD           |
| 10.. | 539 120169.... | 2    | .... ROD, CONTROL       | 21.. | 539 990188..   | 10   | .... WASHER $\frac{5}{16}$ SAE FLAT          |
| 11.. | 539 116689.... | 2    | .... ROD END COUPLER    |      |                |      |  |

# WHEELS / TIRES

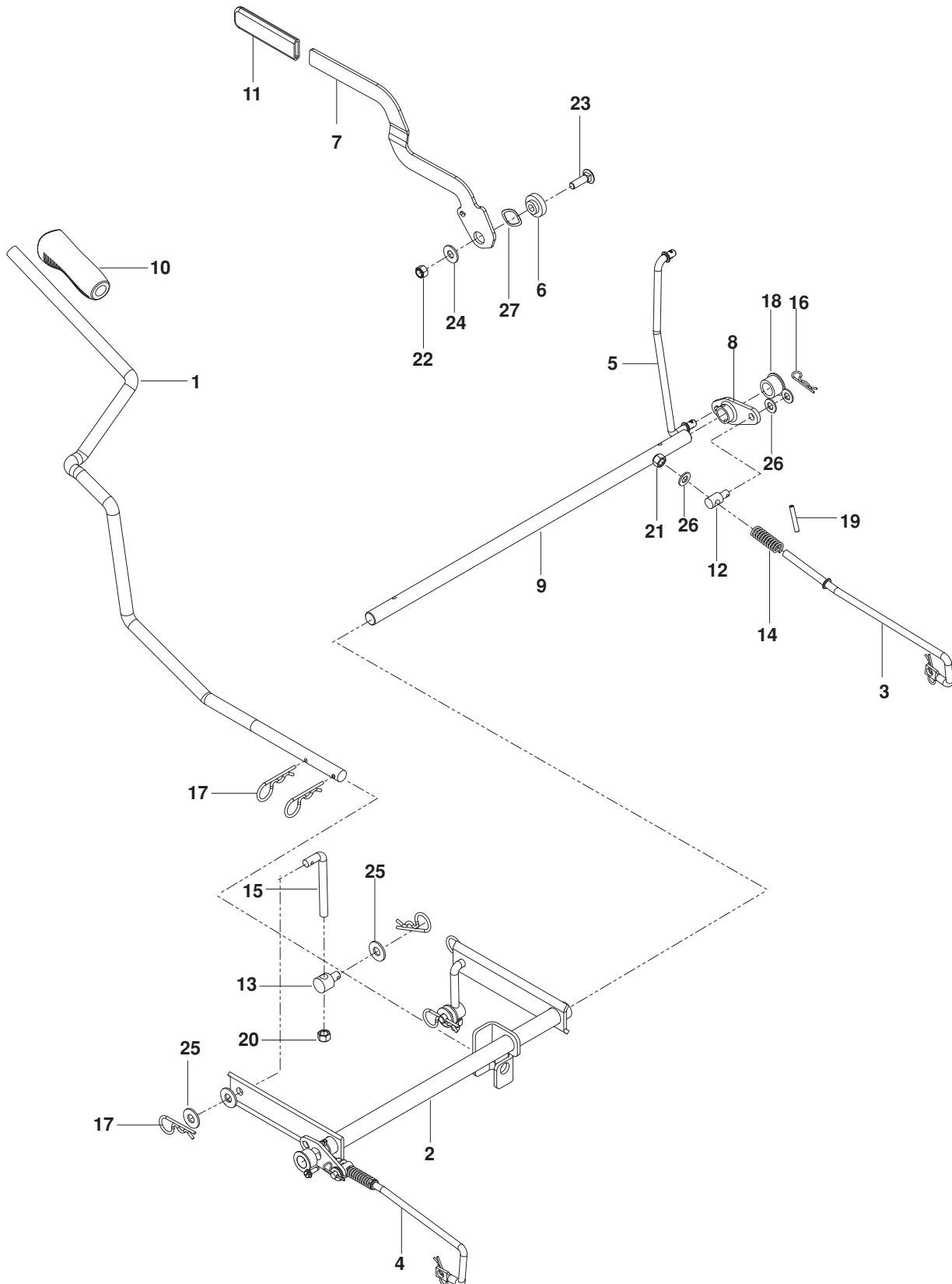


# WHEELS / TIRES

---

| ITEM | PART NO.       | QTY. | DESCRIPTION            | ITEM | PART NO.       | QTY. | DESCRIPTION  |
|------|----------------|------|------------------------|------|----------------|------|--|
| 1..  | 575 812201.... | 2    | .... CASTER TIRE ASSY  | 12.. | 539 102535.... | 2    | .... CAP, GREASE   |
| 2..  | 510 186504.... | 2    | .... YOKE, CASTER YLW  | 13.. | 539 115749.... | 2    | .... PLUG, CASTER  |
| 3..  | 539 103300.... | 2    | .... ZERK, ANGLED      | 14.. | 575 812401.... | 2    | .... WHEEL ASSY REAR   |
| 4..  | 539 115638.... | 2    | .... ZERK              | 15.. | 539 115566.... | 2    | .... BOLT, HEX <sup>5</sup> / <sub>16</sub> -18 x 1 NYLOC                  |
| 5..  | 576 617801.... | 4    | .... BUSHING, WHEEL    | 16.. | 539 114805.... | 4    | .... SPACER <sup>5</sup> / <sub>16</sub>                                   |
| 6..  | 539 112660.... | 2    | .... BEARING, FLANGED  | 17.. | 539 105543.... | 2    | .... SPACER  |
| 7..  | 539 912234.... | 4    | .... VALVE             | 18.. | 539 121159.... | 2    | .... RHSNB <sup>1</sup> / <sub>2</sub> -13 x 6 <sup>1</sup> / <sub>2</sub> |
| 8..  | 575 812301.... | 2    | .... RIM               | 19.. | 539 200100.... | 2    | .... NUT <sup>1</sup> / <sub>2</sub> HEX CNTRLK                            |
| 9..  | 539 114697.... | 2    | .... TIRE, 410-5 4 PLY | 20.. | 539 101173.... | 8    | .... NUT <sup>1</sup> / <sub>2</sub> -20 LUG                               |
| 10.. | 539 115747.... | 2    | .... SPRING, CASTER    | 21.. | 539 109554.... | 2    | .... WASHER <sup>1</sup> / <sub>2</sub> FLAT                               |
| 11.. | 539 117901.... | 2    | .... BUSHING, CASTER   | 22.. | 539 115675.... | 2    | .... WASHER  |

# BRAKE / DECK LIFT



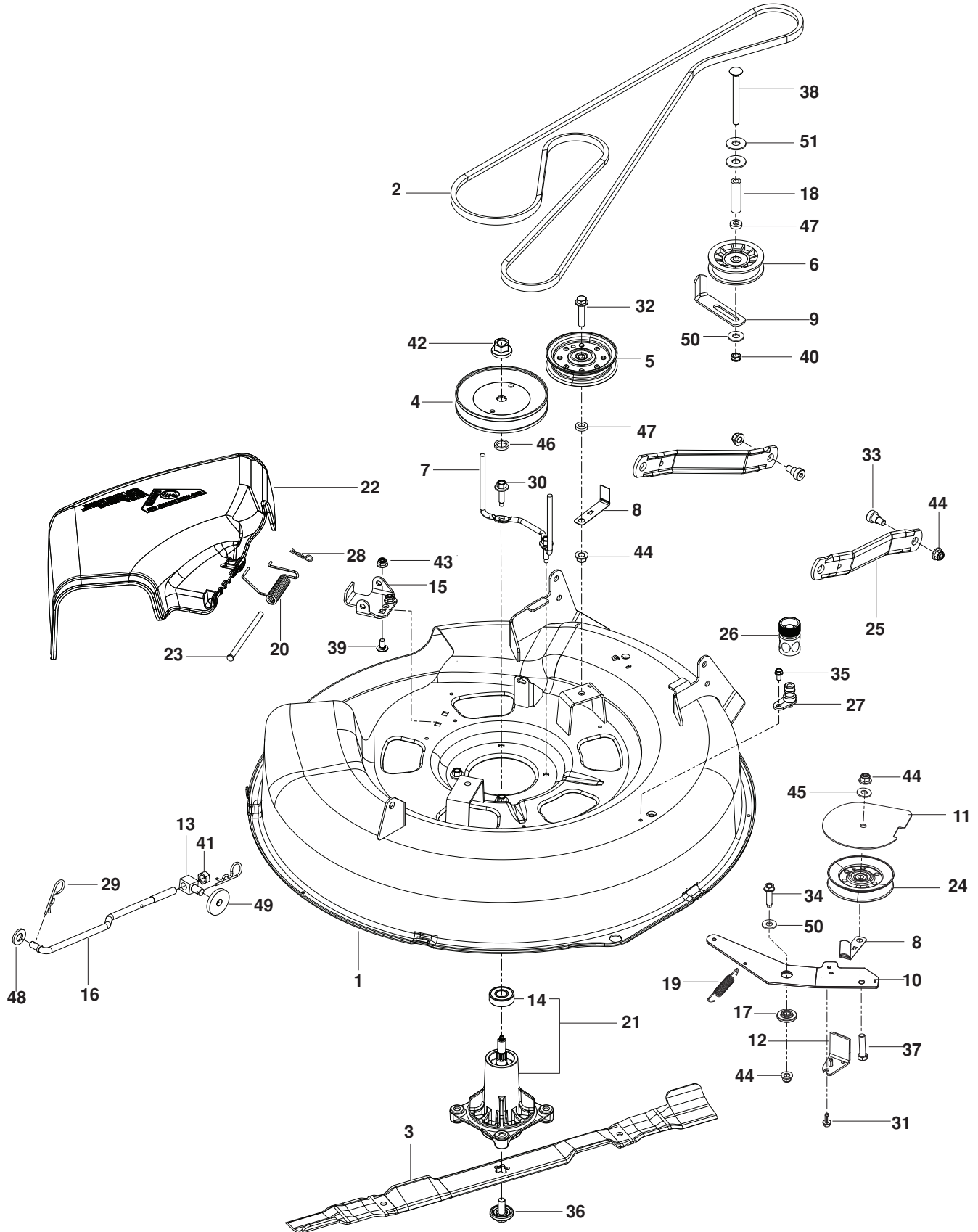


# BRAKE / DECK LIFT

---

| ITEM | PART NO.       | QTY. | DESCRIPTION             | ITEM | PART NO.       | QTY. | DESCRIPTION                   |
|------|----------------|------|-------------------------|------|----------------|------|-------------------------------|
| 1..  | 525 580402...  | 1    | .... HANDLE, LIFT BLK   | 15.. | 539 115658.... | 2    | .... L-ROD 3½"                |
| 2..  | 525 580604...  | 1    | .... SHAFT, LIFT BLK    | 16.. | 539 976988.... | 4    | .... HAIRPIN COTTER           |
| 3..  | 525 583601...  | 1    | .... LINKAGE, BRAKE RT  | 17.. | 539 976989.... | 6    | .... HAIRPIN                  |
| 4..  | 525 583701...  | 1    | .... LINKAGE, BRAKE LT  | 18.. | 539 109368.... | 2    | .... BUSHING, PLASTIC         |
| 5..  | 525 735701...  | 1    | .... LINKAGE, UPPER     | 19.. | 539 101082.... | 2    | .... PIN 3/16 x 1¼ ROLL       |
| 6..  | 539 120220.... | 1    | .... PIVOT, BRAKE ARM   | 20.. | 539 976979.... | 3    | .... NUT 3/8-16 HEX NYLOC     |
| 7..  | 525 485602.... | 1    | .... HANDLE, BRAKE      | 21.. | 539 990717.... | 2    | .... NUT 5/16-18 HEX NYLOC    |
| 8..  | 525 580201...  | 2    | .... BELLCRANK, BRAKE   | 22.. | 539 200282.... | 1    | .... NUT 3/8-16 HEX JAM NYLOC |
| 9..  | 525 580301...  | 1    | .... ROD, BRAKE         | 23.. | 539 100413.... | 1    | .... RHSNB 3/8-16 x 1¼        |
| 10.. | 532 196492.... | 1    | .... GRIP, LIFT HANDLE  | 24.. | 539 102843.... | 1    | .... WASHER 7/16 SPRING DISK  |
| 11.. | 539 120921.... | 1    | .... GRIP, BRAKE HANDLE | 25.. | 539 990517.... | 6    | .... WASHER 3/8 FLAT STD      |
| 12.. | 539 112308.... | 2    | .... SWIVEL, BRAKE      | 26.. | 539 990188.... | 6    | .... WASHER 5/16 SAE FLAT     |
| 13.. | 539 118179.... | 2    | .... SWIVEL             | 27.. | 539 133007.... | 1    | .... WASHER, .825 WAVE        |
| 14.. | 539 101224.... | 2    | .... SPRING             |      |                |      |                               |

# MOWER DECK / CUTTING DECK

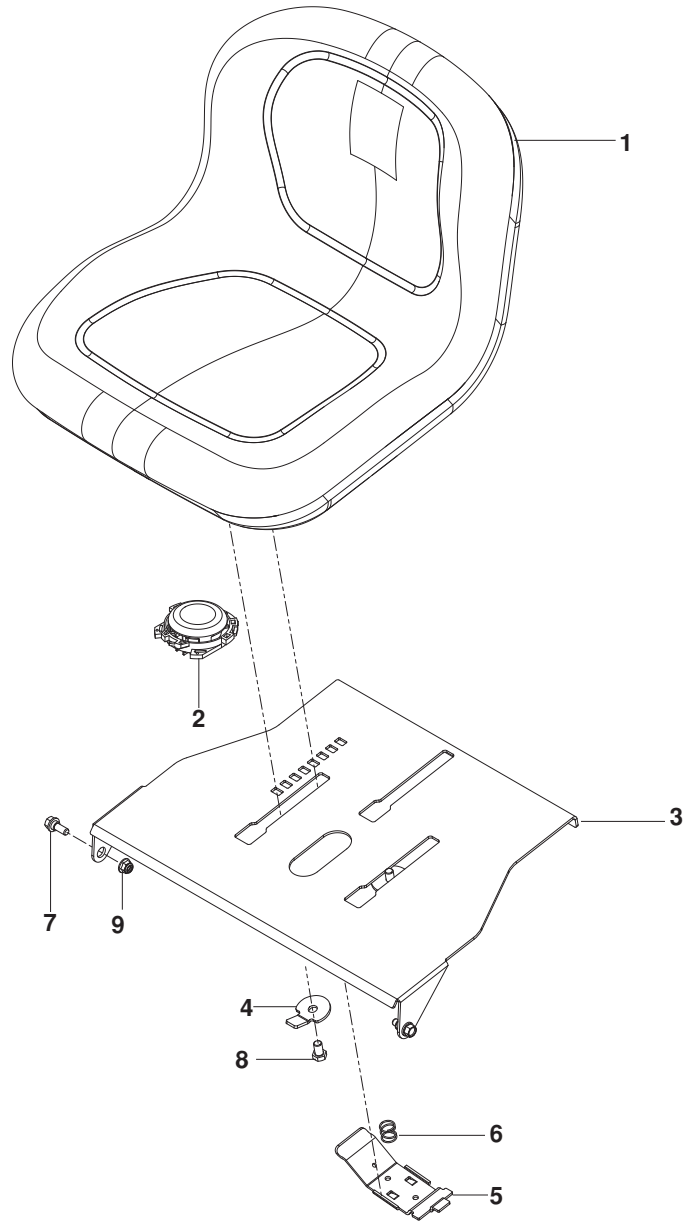


# MOWER DECK / CUTTING DECK

| ITEM | PART NO.       | QTY. | DESCRIPTION                     | ITEM | PART NO.       | QTY. | DESCRIPTION  |
|------|----------------|------|---------------------------------|------|----------------|------|--|
| 1..  | 574 453403.... | 1    | .... DECK w/ SFTY DECALS BLK    | 27.. | 532 415598.... | 1    | .... WASHOUT PORT                                    |
| 2..  | 574 173002.... | 1    | .... BELT, DECK                 | 28.. | 539 976988.... | 1    | .... HAIRPIN COTTER                                  |
| 3..  | 532 419274.... | 1    | .... BLADE, MOWER/MULCH         | 29.. | 539 976989.... | 2    | .... HAIRPIN   |
| 4..  | 532 199791.... | 1    | .... PULLEY, MANDREL            | 30.. | 539 107630.... | 4    | .... SCREW $\frac{5}{16}$ -18 WASHER HD              |
| 5..  | 532 175820.... | 1    | .... PULLEY, IDLER              | 31.. | 539 107631.... | 2    | .... SCREW $\frac{1}{4}$ -20 x $\frac{5}{8}$ THDROLL |
| 6..  | 539 110311.... | 1    | .... PULLEY, DECK IDLER         | 32.. | 539 990701.... | 1    | .... BOLT $\frac{3}{8}$ -16 x 1 $\frac{3}{4}$ WHIZLK |
| 7..  | 532 400140.... | 1    | .... KEEPER, BELT               | 33.. | 539 113621.... | 2    | .... BOLT $\frac{3}{8}$ -16 x $\frac{3}{8}$ SKT HD   |
| 8..  | 529 311701.... | 2    | .... KEEPER, BELT               | 34.. | 539 110025.... | 1    | .... BOLT $\frac{3}{8}$ -16 x $\frac{1}{2}$ THD FRM  |
| 9..  | 525 851801.... | 1    | .... GUIDE, BELT                | 35.. | 539 108461.... | 1    | .... BOLT $\frac{1}{4}$ -20 x $\frac{1}{2}$ HWST     |
| 10.. | 574 172804.... | 1    | .... ARM, IDLER                 | 36.. | 532 193003.... | 1    | .... BOLT/WASHER                                     |
| 11.. | 573 970402.... | 1    | .... COVER, PULLEY              | 37.. | 539 990588.... | 1    | .... HCS $\frac{3}{8}$ -16 x 2                       |
| 12.. | 529 311801.... | 1    | .... ARM, LH BRAKE              | 38.. | 525 848601.... | 1    | .... RHSNB $\frac{3}{8}$ -16 x 4                     |
| 13.. | 539 114789.... | 1    | .... SWIVEL                     | 39.. | 539 990799.... | 2    | .... RHSNB $\frac{5}{16}$ -18 x $\frac{5}{8}$        |
| 14.. | 539 112050.... | 1    | .... BEARING, BALL              | 40.. | 539 109332.... | 1    | .... NUT $\frac{3}{8}$ -16 HEX JAM                   |
| 15.. | 532 192557.... | 1    | .... BRACKET, DEFLECTOR         | 41.. | 573 975201.... | 1    | .... NUT $\frac{7}{16}$ -20 HEX NYLOC                |
| 16.. | 532 195740.... | 1    | .... LINK, SUSPENSION           | 42.. | 539 107590.... | 1    | .... NUT $\frac{9}{16}$ TOP CNTRLK                   |
| 17.. | 532 199092.... | 1    | .... SPACER RETAINER            | 43.. | 539 112899.... | 2    | .... NUT $\frac{5}{16}$ -18 FLANGE NYLOC             |
| 18.. | 525 848801.... | 1    | .... SPACER 2 $\frac{1}{4}$     | 44.. | 521 996501.... | 5    | .... NUT $\frac{3}{8}$ -16 FLANGE NYLOC              |
| 19.. | 532 401872.... | 1    | .... SPRING, RETURN             | 45.. | 539 990122.... | 1    | .... WASHER $\frac{3}{8}$ FLAT SAE                   |
| 20.. | 539 107609.... | 1    | .... SPRING, TORSION            | 46.. | 539 107520.... | 1    | .... WASHER/SPACER                                   |
| 21.. | 539 112057.... | 1    | .... MANDREL                    | 47.. | 539 109562.... | 1    | .... WASHER $\frac{3}{8}$ x $\frac{3}{4}$            |
| 22.. | 532 417344.... | 1    | .... CHUTE, DISCHARGE           | 48.. | 539 990250.... | 1    | .... WASHER $\frac{1}{2}$ SAE                        |
| 23.. | 539 110736.... | 1    | .... PIN, CLEVIS $\frac{5}{16}$ | 49.. | 539 106504.... | 1    | .... WASHER 1 $\frac{3}{4}$ x $\frac{1}{4}$ HEAVY    |
| 24.. | 532 173902.... | 1    | .... IDLER, V-GROOVE            | 50.. | 539 990517.... | 2    | .... WASHER $\frac{3}{8}$ FLAT STD                   |
| 25.. | 532 195185.... | 2    | .... ARM, DECK SUSPENSION       | 51.. | 539 104864.... | 2    | .... WASHER $\frac{7}{16}$ FLAT                      |
| 26.. | 532 416405.... | 1    | .... COUPLING, QUICK DISC       |      |                |      |  |

# SEAT

---

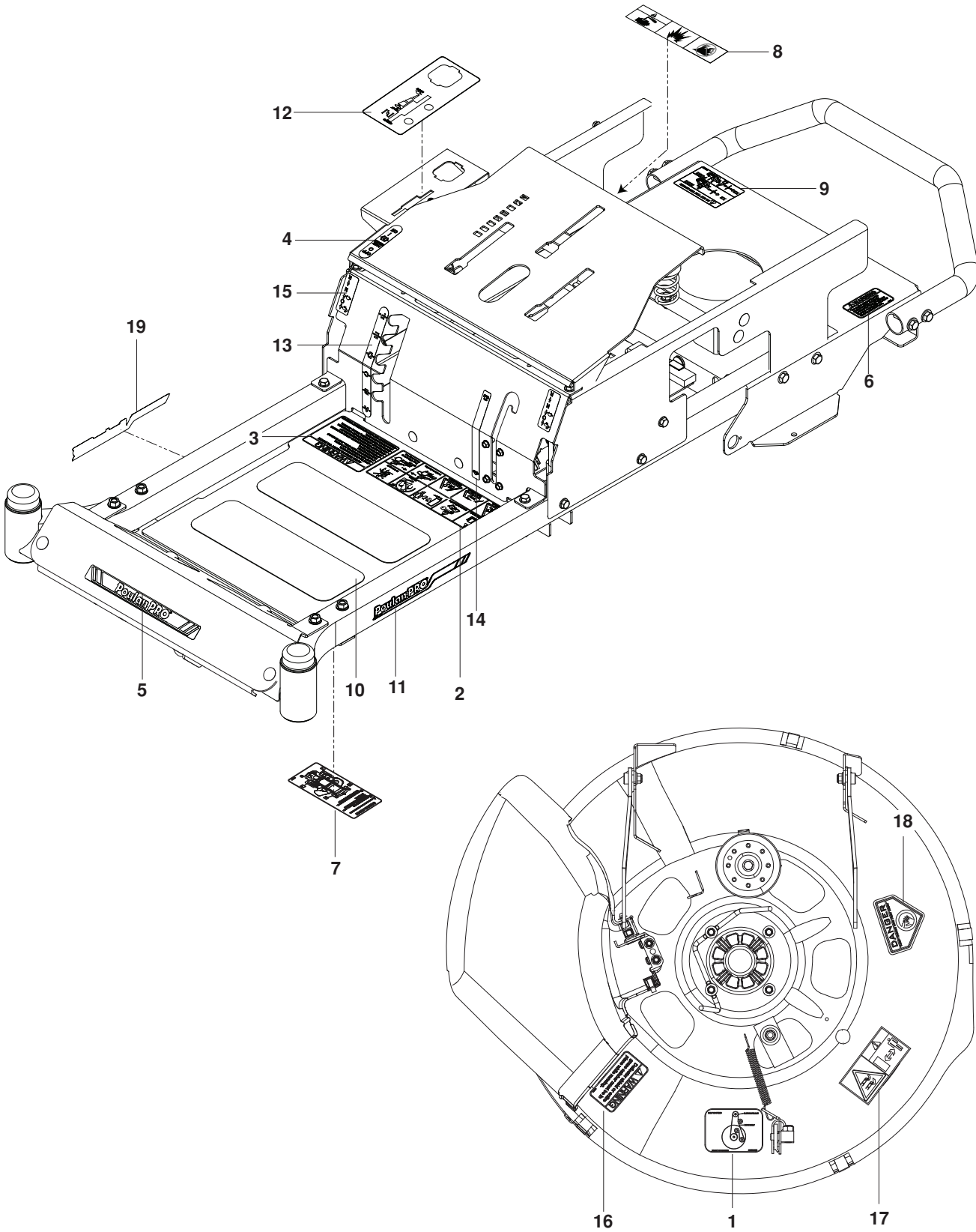


# SEAT

---

| ITEM | PART NO.       | QTY.   | DESCRIPTION        | ITEM | PART NO.       | QTY.   | DESCRIPTION   |
|------|----------------|--------|--------------------|------|----------------|--------|---|
| 1..  | 522 598901.... | 1 .... | SEAT               | 6..  | 532 198200.... | 1 .... | SPRING, SEAT SLIDE  |
| 2..  | 539 132140.... | 1 .... | SWITCH, SEAT N/C   | 7..  | 539 110303.... | 2 .... | BOLT, <sup>5</sup> / <sub>16</sub> -SHOULDER                      |
| 3..  | 525 580005.... | 1 .... | PLATE, SEAT YLW    | 8..  | 539 108503.... | 3 .... | HCS <sup>3</sup> / <sub>8</sub> -16 x <sup>5</sup> / <sub>8</sub> |
| 4..  | 574 191002.... | 1 .... | STOP, SEAT BLK     | 9..  | 539 112899.... | 2 .... | NUT <sup>5</sup> / <sub>16</sub> -18 FLANGE NYLOC                 |
| 5..  | 532 197661.... | 1 .... | HANDLE, SEAT SLIDE |      |                |        |   |

# DECALS



# DECALS

---

| ITEM | PART NO.       | QTY.   | DESCRIPTION            | ITEM | PART NO.       | QTY.   | DESCRIPTION            |
|------|----------------|--------|------------------------|------|----------------|--------|------------------------|
| 1..  | 525 798501.... | 1 .... | DECAL, BELT ROUTING    | 11.. | 575 934802.... | 1 .... | DECAL, POULAN LT       |
| 2..  | 539 109908.... | 1 .... | DECAL, SAFETY GRAPHICS | 12.. | 576 967501.... | 1 .... | DECAL, CONTROL PANEL   |
| 3..  | 539 113213.... | 1 .... | DECAL, WARNINGS        | 13.. | 525 814201.... | 1 .... | DECAL, DECK HEIGHT     |
| 4..  | 539 120006.... | 1 .... | DECAL, PARK BRAKE      | 14.. | 525 814301.... | 1 .... | DECAL, BLADE ENGAGE    |
| 5..  | 575 934701.... | 1 .... | DECAL, POULAN FRT      | 15.. | 575 927201.... | 2 .... | DECAL, MOTION CONTROL  |
| 6..  | 539 101881.... | 1 .... | DECAL, EXHAUST WARN    | 16.. | 539 113224.... | 1 .... | DECAL, DEFLECT CAUTION |
| 7..  | 539 109897.... | 1 .... | DECAL, SERVICE         | 17.. | 539 105746.... | 1 .... | DECAL, SEVERING        |
| 8..  | 539 105745.... | 1 .... | DECAL, BATTERY WARNING | 18.. | 539 913010.... | 1 .... | DECAL, BLADE WARN      |
| 9..  | 539 108385.... | 1 .... | DECAL, DO NOT TOW      | 19.. | 575 934801.... | 1 .... | DECAL, POULAN RT       |
| 10.. | 539 977778.... | 2 .... | PAD, ABRASIVE          |      |                |        |                        |





## Free Manuals Download Website

<http://myh66.com>

<http://usermanuals.us>

<http://www.somanuals.com>

<http://www.4manuals.cc>

<http://www.manual-lib.com>

<http://www.404manual.com>

<http://www.luxmanual.com>

<http://aubethermostatmanual.com>

Golf course search by state

<http://golfingnear.com>

Email search by domain

<http://emailbydomain.com>

Auto manuals search

<http://auto.somanuals.com>

TV manuals search

<http://tv.somanuals.com>