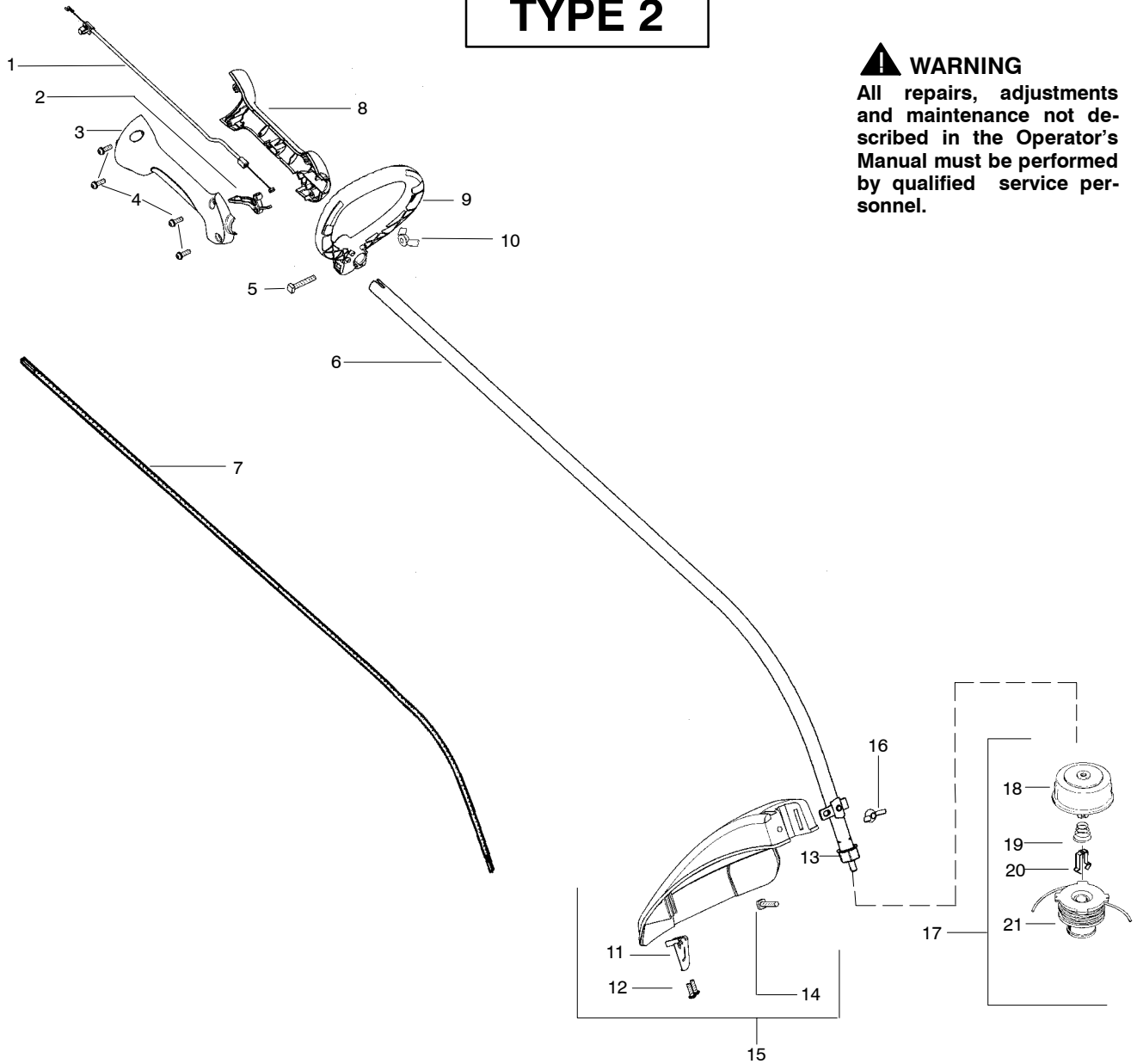


TYPE 2



⚠ WARNING
All repairs, adjustments and maintenance not described in the Operator's Manual must be performed by qualified service personnel.

Ref.	Part No.	Description	Ref.	Part No.	Description
1.	530057991	Assy – Throttle Cable	15.	530071795	Kit – Shield Assy (Incl. 11,12,14,16)
2.	530058000	Trigger	16.	530016152	Wingnut
3.	530057582	Throttle Hsg. (Right)	17.	952711621	Accy – TNG VI Cutting Head (Incl. 18–21)
4.	530015880	Screw – Throttle Hsg.	18.	530095776	Assy – Hub
5.	530015821	Bolt – Handle/Shield	19.	530053241	Spring – Compression
6.	530071875	Kit – Drive Shaft Hsg.	20.	530401957	Clip – Retainer – Head
7.	530096276	Shaft – Flex	21.	952711616	Accy – Spool w/Line
8.	530057581	Throttle Hsg. (Left)			Not Shown
9.	530058580	Assy – Handle (Incl. 5,10)	↙	545186831	Operator Manual
10.	530016152	Wingnut	↙	545144405	Decal – Shaft Warning
11.	530052286	Line Limiter			
12.	530015966	Screw – Line Limiter			
13.	530095563	Dust Cup			
14.	530015820	Bolt			

↙ = NEW PART NUMBER FOR THIS IPL ★ = REFER TO THE SERVICE REFERENCE INDICATED FOR MORE INFORMATION. (LOCATED AT END OF IPL)

Free Manuals Download Website

<http://myh66.com>

<http://usermanuals.us>

<http://www.somanuals.com>

<http://www.4manuals.cc>

<http://www.manual-lib.com>

<http://www.404manual.com>

<http://www.luxmanual.com>

<http://aubethermostatmanual.com>

Golf course search by state

<http://golfingnear.com>

Email search by domain

<http://emailbydomain.com>

Auto manuals search

<http://auto.somanuals.com>

TV manuals search

<http://tv.somanuals.com>