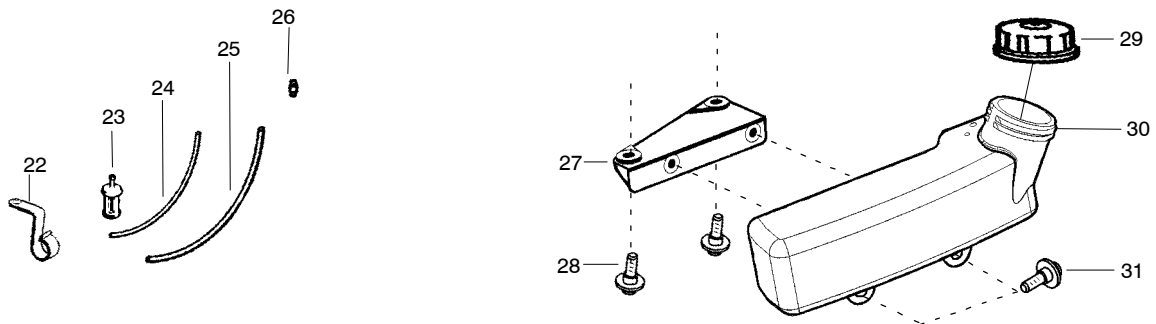
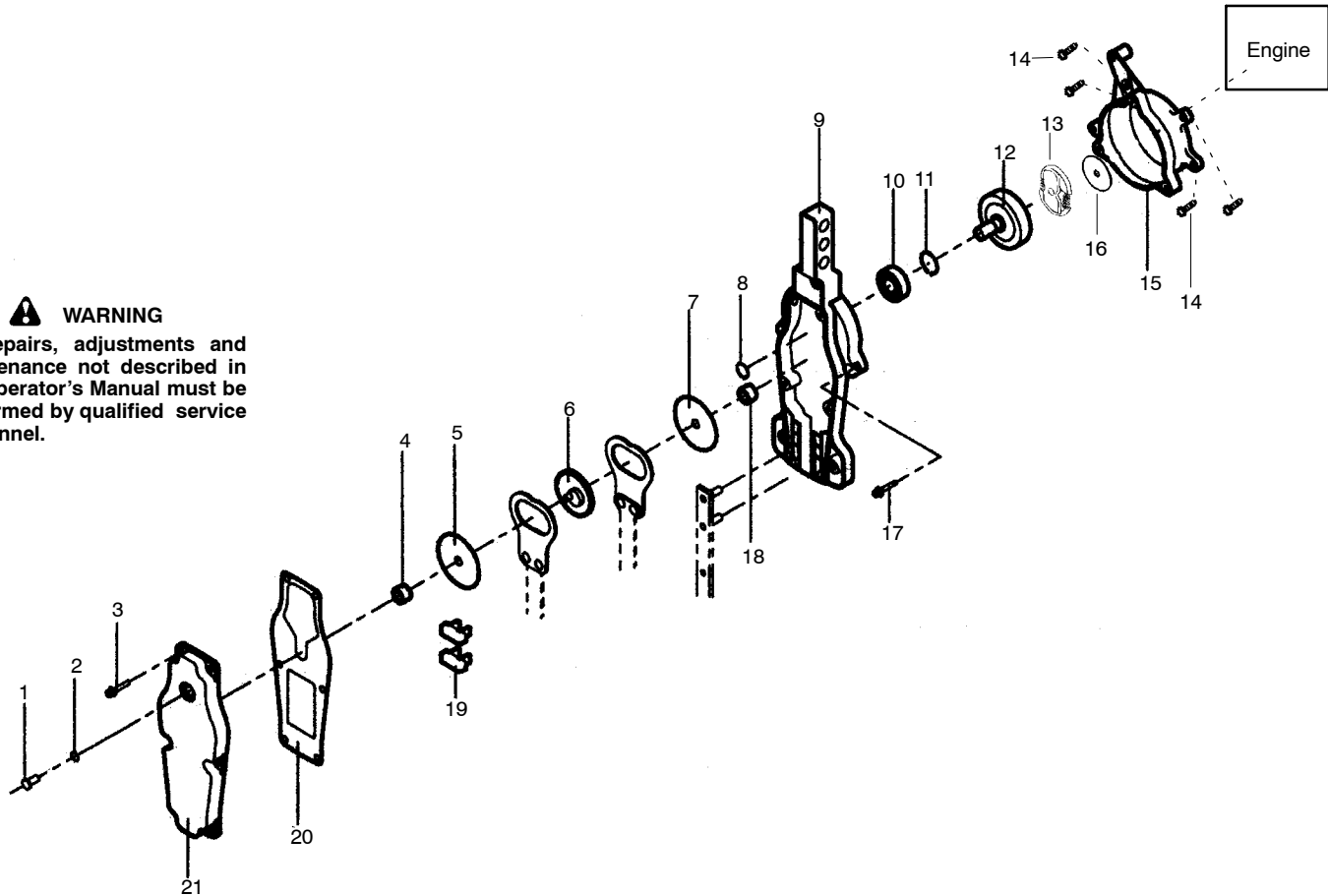


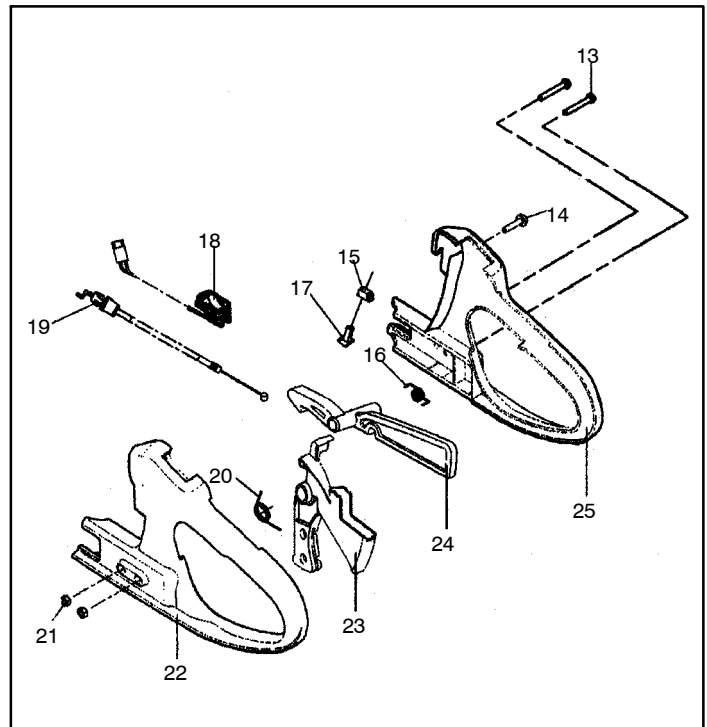
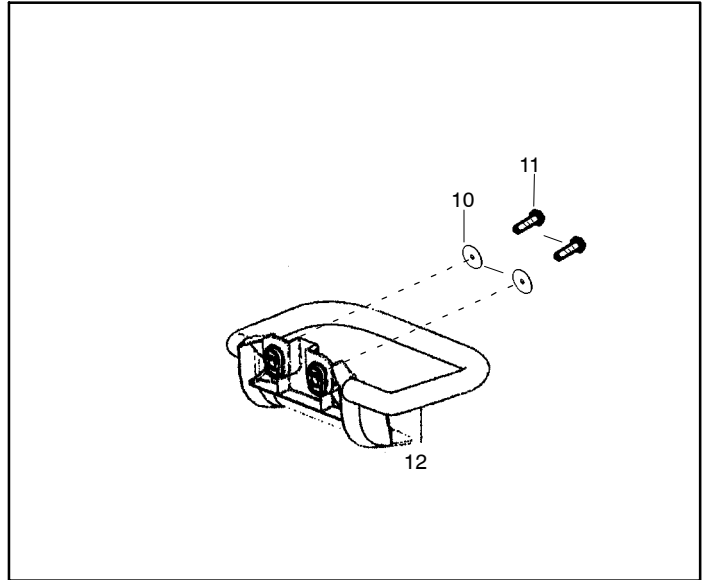
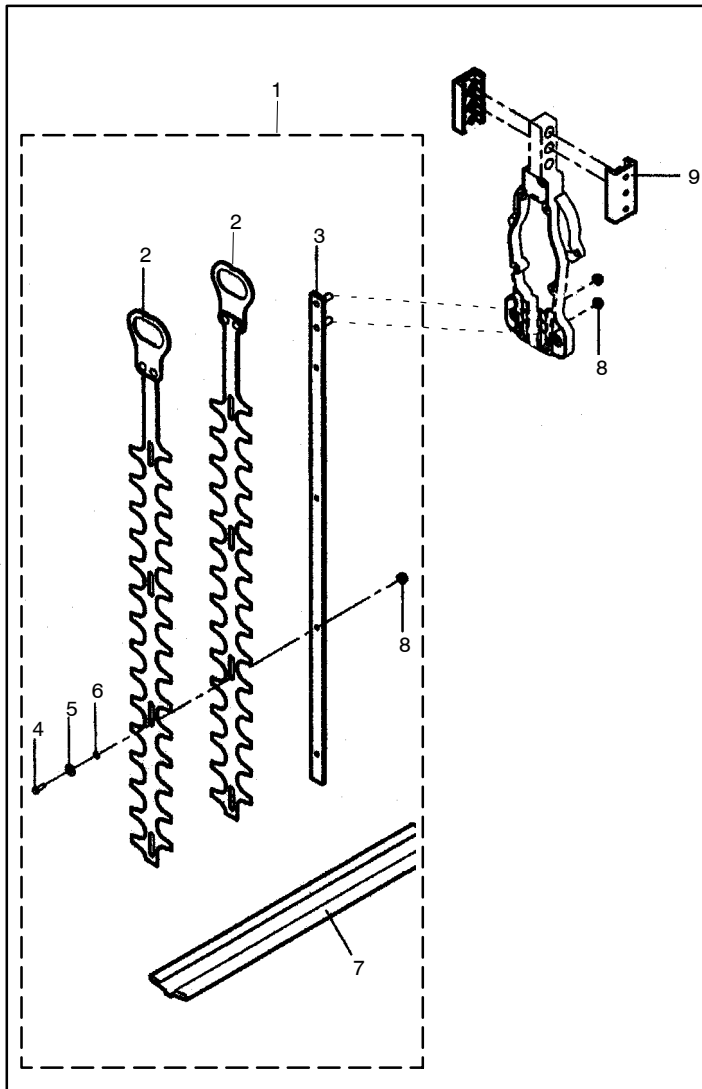
⚠ WARNING
All repairs, adjustments and maintenance not described in the Operator's Manual must be performed by qualified service personnel.



Ref.	Part No.	Description	Ref.	Part No.	Description	Ref.	Part No.	Description
1.	530016423	Plug-Grease	12.	11014-222	Clutch Drum C.P.	23.	530095646	Assy-Fuel Pickup
2.	214B0700	O-ring	13.	530071803	Kit-Clutch Assy.	24.	530069247	Kit-Fuel Line (small)
3.	545145422	Socket Screw Flange	14.	530015886	Screw	25.	530069216	Kit-Fuel Line(large)
4.	545145440	Bushing	15.	51070-131	Engine Base	26.	530023877	Fitting-Fuel Line
5.	11050-176	Fixing Plate	16.	530015611	Washer-Clutch	27.	530057738	Bracket-Tank
6.	545145441	Gear	17.	545145423	Socket Screw Flange	28.	530016431	Screw-Retainer
7.	11050-176	Fixing Plate	18.	545145440	Bushing	29.	530049386	Assy-Fuel Cap
8.	545145431	C-Snapping for Shaft	19.	545145433	Felt Packing	30.	545104302	Assy-Fuel Tank (Incl. 23-26, 29)
9.	51068-108	Cam Case	20.	545145434	Packing	31.	530016379	Screw-Retainer
10.	545145432	Bearing	21.	51069-105	Cam Case Cover			
11.	545145430	C-Snapping for Hole	22.	530016438	Clip-Wire			

✓ = NEW PART NUMBER FOR THIS IPL * = REFER TO THE SERVICE REFERENCE INDICATED FOR MORE INFORMATION. (LOCATED AT END OF IPL)
● = THESE PARTS ARE ILLUSTRATED FOR CLARITY. ORDER COMPLETE ASSEMBLY.

Note: Illustration may differ from actual model due to design changes



WARNING

All repairs, adjustments and maintenance not described in the Operator's Manual must be performed by qualified service personnel.

Ref.	Part No.	Description	Ref.	Part No.	Description	Ref.	Part No.	Description
1.	530071809	Kit-Assy-Blade (Incl. 2,3,4,5,6,7,8, & #6 on page 2)	11.	530015769	Screw	21.	545145428	U-Hexagon Nut
2.	91054-118	Cutter B	12.	530057731	Handle-Front	22.	51106-137	Handle-Rear (left)
3.	11051-133	Cutter guide	13.	545145421	Socket Screw	23.	11095-167	Lever
4.	31029-101	Step Bolt	14.	545145424	Tapping Screw	24.	11095-166	Lever
5.	545145435	Conical Spring Washer	15.	51104-147	Guide	25.	51106-138	Handle -Rear (right)
6.	545145436	Cutter Washer	16.	545145438	Spring			
7.	530057997	Sleeve-Blade	17.	36092-110	Half Gas Lever			
8.	545145429	U-Hexagon Nut Flange	18.	545145439	Stop Switch Assy.			
9.	36006-128	Absorber	19.	91001-324	Throttle Wire			
10.	530016404	Washer	20.	545145437	Spring			

✓ = NEW PART NUMBER FOR THIS IPL ★ = REFER TO THE SERVICE REFERENCE INDICATED FOR MORE INFORMATION. (LOCATED AT END OF IPL)
● = THESE PARTS ARE ILLUSTRATED FOR CLARITY. ORDER COMPLETE ASSEMBLY.

Free Manuals Download Website

<http://myh66.com>

<http://usermanuals.us>

<http://www.somanuals.com>

<http://www.4manuals.cc>

<http://www.manual-lib.com>

<http://www.404manual.com>

<http://www.luxmanual.com>

<http://aubethermostatmanual.com>

Golf course search by state

<http://golfingnear.com>

Email search by domain

<http://emailbydomain.com>

Auto manuals search

<http://auto.somanuals.com>

TV manuals search

<http://tv.somanuals.com>