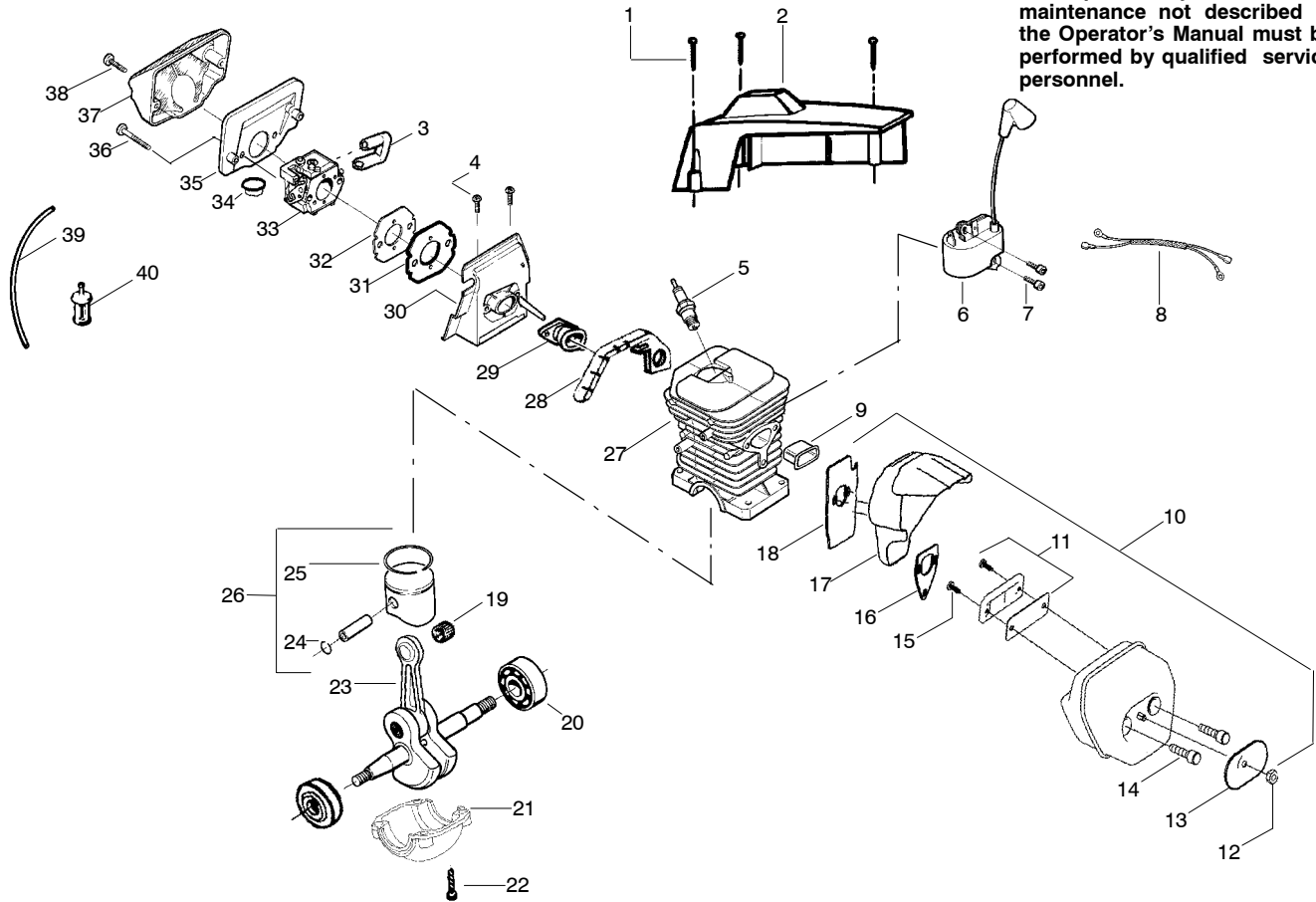




**WARNING**

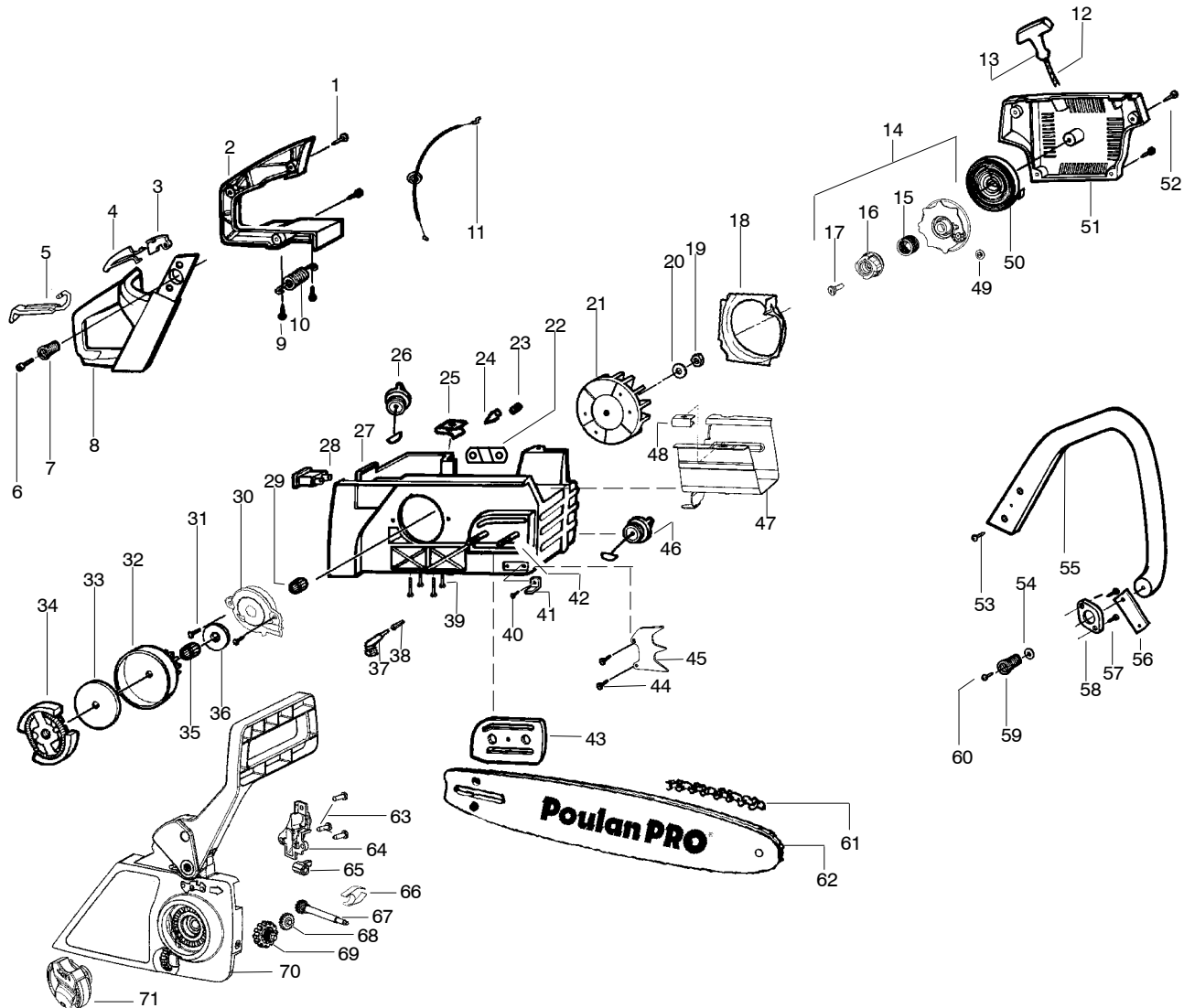
All repairs, adjustments and maintenance not described in the Operator's Manual must be performed by qualified service personnel.



Ref.	Part No.	Description	Ref.	Part No.	Description
1.	530016154	Screw	25.	530037380	Ring-Piston
2.	530069716	Kit-Cylinder Shield	26.	530069548	Kit-Piston (Incl. 19,24,25)
3.	530035583	Grommet -Carb.	27.	530071490	Assy-Cyl/Crankcase (Incl.#21)
4.	530015814	Screw	28.	530019251	Seal-Super Clean
5.	952030150	Spark Plug (RCJ-7Y)	29.	530035581	Intake Boot
6.	530039239	Module-Ignition	30.	530053396	Adapter-Carb.
7.	545121901	Screw	31.	530037872	Intake Plate-Carb
8.	530037467	Assy-Switch Wire	32.	530019172	Gasket-Carb.
9.	530037652	Insulator-Heat	33.	530071693	Kit-Carburetor (WT-657)
10.	530071495	Kit-Muffler (Incl.11,13,14,15,16,17,18)	34.	530036792	Isolator
11.	530071497	Kit-Spark Arrestor (Incl.# 15)	35.	530059738	Filter-Air (Bottom)
12.	530016359	Nut-Brass	36.	530015970	Screw
13.	530056061	Cover-Bolt	37.	545057701	Filter-Air (Top)
14.	530016338	Bolt-Muffler	38.	530015899	Screw
15.	530016351	Screw-Spark Screen	39.	530069247	Kit-Fuel Line (Small)
16.	530055128	Gasket-Muffler	40.	530095646	Assy-Fuel Pick-up
17.	530055765	Assy-Muffler Backplate			
18.	530055402	Backplate - Alum.			
19.	503414101	Bearing-Piston Pin			
20.	530056363	Assy-Bearing & Seal			
21.	530049794	Cap-Crankcase			
22.	530015897	Screw			
23.	530029794	Assy-C'shaft & Rod			
24.	530015697	Retainer-Piston Pin			
				Not Shown	
				545186803	Manual

✓ = NEW PART NUMBER FOR THIS IPL    ★ = REFER TO THE SERVICE REFERENCE INDICATED FOR MORE INFORMATION. (LOCATED AT END OF IPL)  
 ● = THESE PARTS ARE ILLUSTRATED FOR CLARITY. ORDER COMPLETE ASSEMBLY.

PARTS LIST NO. <b>545103410</b>		<b>Poulan PRO</b> PARTS LIST	Chain Saw Model(s): <b>PP4620AVX</b>
DATE <b>04/16/09</b>	Replaces 545103410 - 7/03/08		<b>Note:</b> Illustration may differ from actual model due to design changes



Ref.	Part No.	Description	Ref.	Part No.	Description	Ref.	Part No.	Description
1.	530015957	Screw	26.	530010845	Assy-Fuel Cap	49.	530016080	Screw
2.	530071272	Cover-Handle (kit)	27.	530037551	Assy-Chassis (Incl. 22,23,24,26,42,46)	50.	530042095	Spring-Recoil
3.	530036097	Trigger-Throttle				51.	545008803	Housing-Fan
4.	530036098	Lockout-Throttle				52.	530015892	Screw
5.	530053443	Lever-Choke	28.	530069572	Kit-Switch	53.	530015814	Screw
6.	530015937	Screw	29.	530029833	Worm-Oil Pump	54.	530015158	Washer
7.	530038985	Spring-Isolator	30.	530014410	Assy.-Oil Pump	55.	530038327	Handle-Front
8.	530071272	Handle-Rear (kit)	31.	530015896	Screw	56.	530036113	Front Strap-AV
9.	530015906	Screw	32.	530069342	Kit-Clutch Drum (Incl. #35)	57.	530015775	Screw-Plate
10.	530038986	Spring-Isolator	33.	530015611	Washer-Clutch	58.	530036101	Plate-Isolator
11.	530038471	Assy-Throttle Cable (Incl. Grommet)	34.	530014949	Assy-Clutch	59.	530038985	Spring-Isolator
12.	530069232	Kit-Rope	35.	530032119	Bearing-Clutch	60.	530015984	Screw
13.	530056422	Handle-Starter	36.	530015907	Washer-Thrust	61.	952051310	Chain"- 20"
14.	530071966	Kit-Starter EPS (Incl. 15,16,17,49)	37.	545047801	Pickup-Oil	62.	545049001	Bar -20"
15.	530021180	Spring EPS	38.	530056533	Filter-Oil	63.	530016064	Screw
16.	530059677	Hub-Starter EPS	39.	530016037	Screw	64.	545051201	Cover-Gear
17.	530021179	Screw-Shoulder	40.	530015814	Screw	65.	545060501	Pin-Bar Adjust
18.	530047667	Plate-Baffle Fan	41.	530029850	Chain Catcher	66.	545149301	Clip-Spring
19.	530016134	Nut-Flywheel	42.	530015877	Bar Bolt	67.	545060401	Screw-Adjuster
20.	530015127	Washer-Flywheel	43.	530047855	Bar Plate	68.	545060201	Gear-Idler
21.	530059637	Assy-Flywheel	44.	530016439	Screw	69.	545090501	Wheel-Gear Adjust
22.	530036043	Plate-Support (Bar Stud)	45.	530014381	Kit-Spike Assy(incl#44)	70.	545081874	Kit -ChainBrake Assy. (Incl. Knob)
23.	530029868	Plug-Vent	46.	530057236	Assy-Oil Cap	71.	545081875	Kit - EZT Knob
24.	530026119	Valve-Check	47.	530055406	Shield-Heat			
25.	530015922	Nut-Speed	48.	530055322	Clip-"U"			

✓ = NEW PART NUMBER FOR THIS IPL

★ = REFER TO THE SERVICE REFERENCE INDICATED FOR MORE INFORMATION. (LOCATED AT END OF IPL)

## Free Manuals Download Website

<http://myh66.com>

<http://usermanuals.us>

<http://www.somanuals.com>

<http://www.4manuals.cc>

<http://www.manual-lib.com>

<http://www.404manual.com>

<http://www.luxmanual.com>

<http://aubethermostatmanual.com>

Golf course search by state

<http://golfingnear.com>

Email search by domain

<http://emailbydomain.com>

Auto manuals search

<http://auto.somanuals.com>

TV manuals search

<http://tv.somanuals.com>