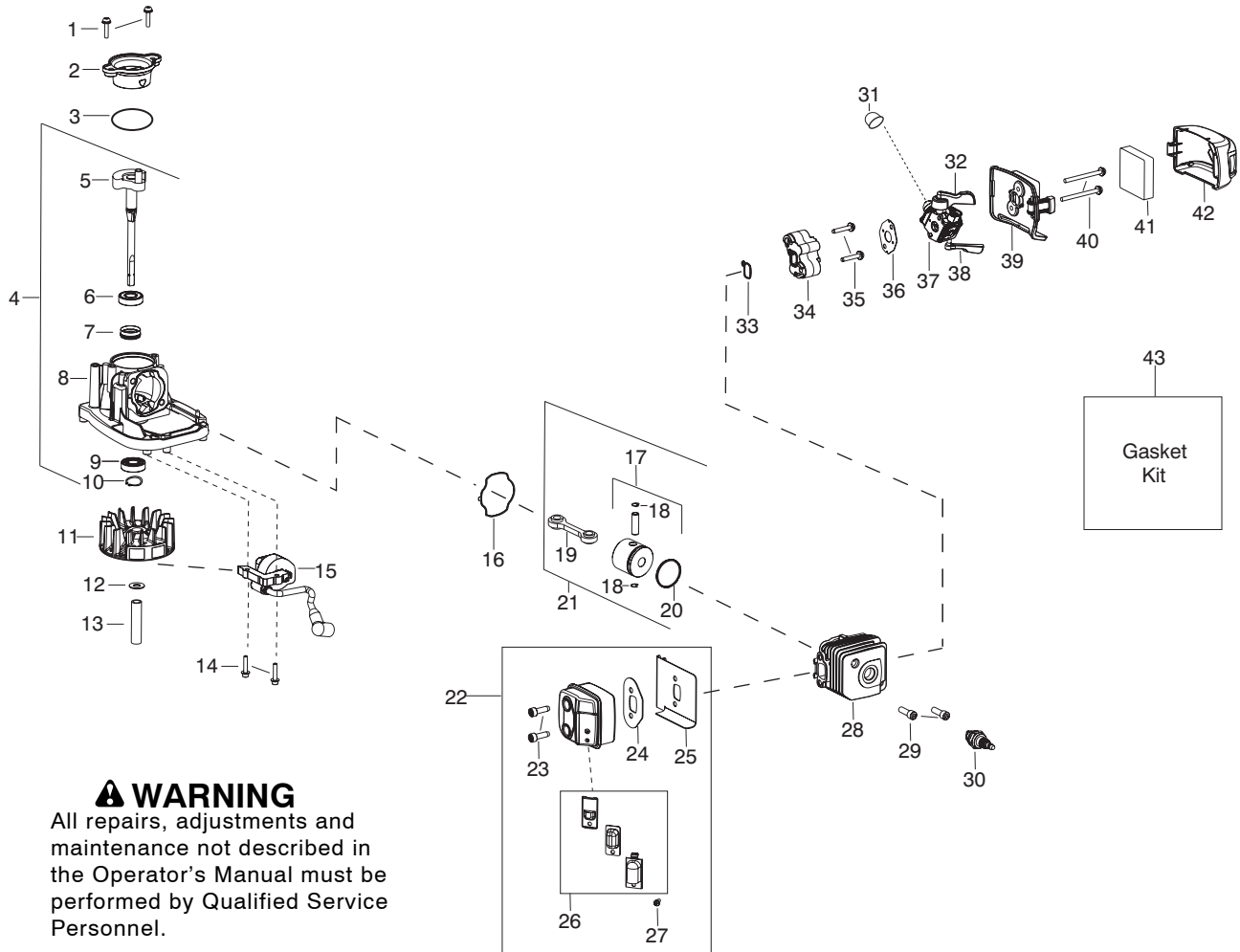


|                             |     |                               |   |
|-----------------------------|-----|-------------------------------|---|
| Parts List No.<br>545192166 |     | <b>WEED EATER®</b> PARTS LIST | MODEL<br>FB25   |
| Date<br>4/15/09             | NEW |                               | NOTE : Illustration may differ from actual model due to design changes. |



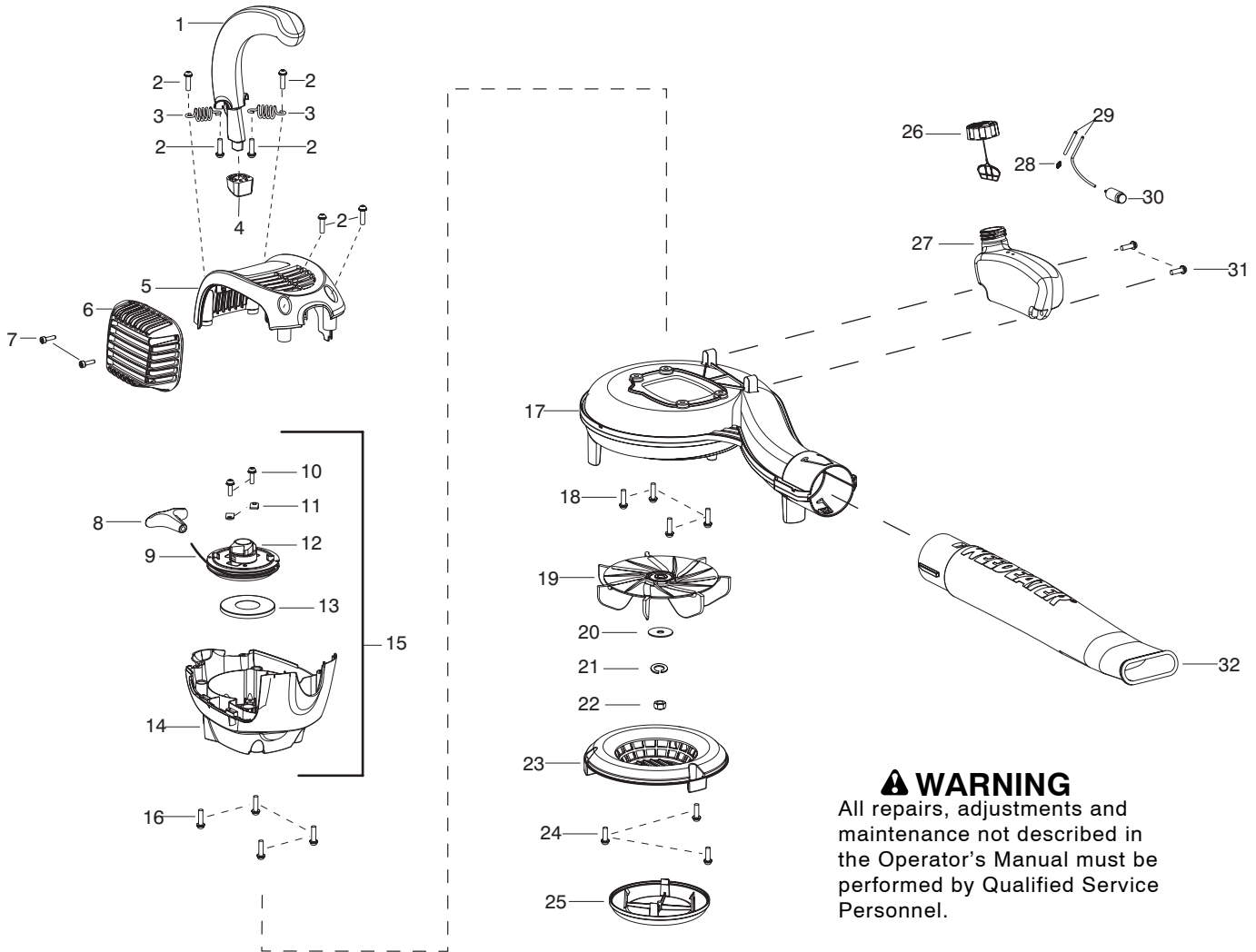
**⚠ WARNING**  
All repairs, adjustments and maintenance not described in the Operator's Manual must be performed by Qualified Service Personnel.

| Ref. | Part No.  | Description                                 | Ref. | Part No.  | Description                         |
|------|-----------|---|------|-----------|-------------------------------------|
| 1.   | 530016386 | Screw                                       | 24.  | 545180866 | Gasket - Muffler (kit)              |
| 2.   | 530057954 | Assy - Rear Plug (Incl. 3)                  | 25.  | 545210501 | Shield - Muffler                    |
| 3.   | 545180866 | O-Ring - Rear Plug (kit)                    | 26.  | 530071544 | Kit - Spark Arrestor                |
| 4.   | 545180861 | Kit - Crankshaft / Crankcase (Incl. 5,8,10) | 27.  | 530015241 | Screw                               |
| 5.   | 545091101 | Assy - Crankshaft                           | 28.  | 530012541 | Cylinder - Machined (25cc)          |
| 6.   | 530032125 | Bearing - Inner                             | 29.  | 530015953 | Screw - Cylinder                    |
| 7.   | 530019264 | Seal - Crankshaft                           | 30.  | 952030249 | Accy - Spark Plug (RCJ-6Y)          |
| 8.   | 545197401 | Assy - Crankcase (Incl. 6,7,9)              | 31.  | 530058709 | Bulb - Purge                        |
| 9.   | 530055728 | Bearing - Outer                             | 32.  | 545180868 | Kit - Throttle                      |
| 10.  | 530015941 | Ring - Crankshaft Retainer                  | 33.  | 545180866 | Seal - Cylinder/Carb. Adapter (kit) |
| 11.  | 545197301 | Assy - Flywheel                             | 34.  | 545197001 | Adapter - Carburetor                |
| 12.  | 530015149 | Washer                                      | 35.  | 530016441 | Screw                               |
| 13.  | 545113701 | Spacer - Flywheel                           | 36.  | 545180866 | Gasket - Carburetor (kit)           |
| 14.  | 530016357 | Screw                                       | 37.  | 545180864 | Kit - Carburetor Assy.              |
| 15.  | 545158001 | Module - Ignition                           | 38.  | 545180869 | Kit - Choke                         |
| 16.  | 545180866 | Seal - Crankcase / Cylinder (kit)           | 39.  | 545193501 | Base - Air Box                      |
| 17.  | 530071833 | Kit - Piston (Incl. 18,20)                  | 40.  | 530016429 | Screw                               |
| 18.  | 530015162 | Retainer - Wrist Pin                        | 41.  | 530036575 | Filter - Foam Air                   |
| 19.  | 530069945 | Kit - Connecting Rod                        | 42.  | 545193601 | Cover - Air Box                     |
| 20.  | 530055120 | Ring - Piston                               | 43.  | 545180866 | Kit - Gasket (Incl. 3,16,24,33,36)  |
| 21.  | 530071785 | Kit - Piston and Rod (Incl. 17,19)          |      |           |                                     |
| 22.  | 545180865 | Kit - Muffler (Incl. 23,24,25,26,27)        |      |           |                                     |
| 23.  | 530016338 | Screw - Muffler                             |      |           |                                     |

✓ = New Part Number For This IPL

★ = Refer to the Service Reference Indicated for more information.(Located at the END of the IPL)

|                             |     |                               |   |
|-----------------------------|-----|-------------------------------|---|
| Parts List No.<br>545192166 |     | <b>WEED EATER®</b> PARTS LIST | MODEL<br>FB25   |
| Date<br>4/15/09             | NEW |                               | NOTE : Illustration may differ from actual model due to design changes. |



**⚠ WARNING**  
All repairs, adjustments and maintenance not described in the Operator's Manual must be performed by Qualified Service Personnel.

| Ref. | Part No.  | Description  | Ref.             | Part No.                       | Description                          |
|------|-----------|--|------------------|--------------------------------|--------------------------------------|
| 1.   | 545197801 | Assy - Handle (Incl. qty. 2 of ref. 2,3)           | 21.              | 530092322                      | Washer - Lock                        |
| 2.   | 530015814 | Screw  | 22.              | 530626605                      | Nut                                  |
| 3.   | 545206801 | Spring - Isolator                                  | 23.              | 545192901                      | Cover - Inlet                        |
| 4.   | 545203101 | Isolator - Handle                                  | 24.              | 530015880                      | Screw                                |
| 5.   | 545192601 | Housing - Upper Engine                             | 25.              | 530057996                      | Deflector - Intake                   |
| 6.   | 525433201 | Assy - Muffler Guard                               | 26.              | 530014347                      | Cap - Fuel (w/retainer)              |
| 7.   | 530016449 | Screw  | 27.              | 545197701                      | Assy - Fuel Tank (Incl. 26,28,29,30) |
| 8.   | 530054834 | Handle - Starter                                   | 28.              | 530023877                      | Fitting - Fuel Line                  |
| 9.   | 545180862 | Kit - Rope   | 29.              | 530069599                      | Kit - Fuel Line (Incl. 28)           |
| 10.  | 530015775 | Screw - Retainer                                   | 30.              | 530014362                      | Assy - Fuel Pick-up                  |
| 11.  | 530027523 | Retainer   | 31.              | 530015880                      | Screw                                |
| 12.  | 545180863 | Kit - Starter Pulley (Incl. 10,11)                 | 32.              | 545193701                      | Tube - Blower                        |
| 13.  | 545054901 | Spring - Starter                                   | <b>Not Shown</b> |                                |                                      |
| 14.  | 526480601 | Assy - Fan housing with bearing                    | 545186729        | Manual                         |                                      |
| 15.  | 545196201 | Assy - Lower Engine Housing (Incl. 10,11,12,13,14) | 545216201        | Decal - Warning                |                                      |
| 16.  | 530015810 | Screw  | 525485301        | Decal - Entanglement Warning   |                                      |
| 17.  | 545203001 | Assy - Scroll Housing                              | 522928601        | Decal - Spark Arrestor Warning |                                      |
| 18.  | 530015814 | Screw  |                  |                                |                                      |
| 19.  | 545193301 | Assy - Impeller                                    |                  |                                |                                      |
| 20.  | 545164501 | Washer - Impeller                                  |                  |                                |                                      |

✓ = New Part Number For This IPL

★ = Refer to the Service Reference Indicated for more information.(Located at the END of the IPL)

## Free Manuals Download Website

<http://myh66.com>

<http://usermanuals.us>

<http://www.somanuals.com>

<http://www.4manuals.cc>

<http://www.manual-lib.com>

<http://www.404manual.com>

<http://www.luxmanual.com>

<http://aubethermostatmanual.com>

Golf course search by state

<http://golfingnear.com>

Email search by domain

<http://emailbydomain.com>

Auto manuals search

<http://auto.somanuals.com>

TV manuals search

<http://tv.somanuals.com>