

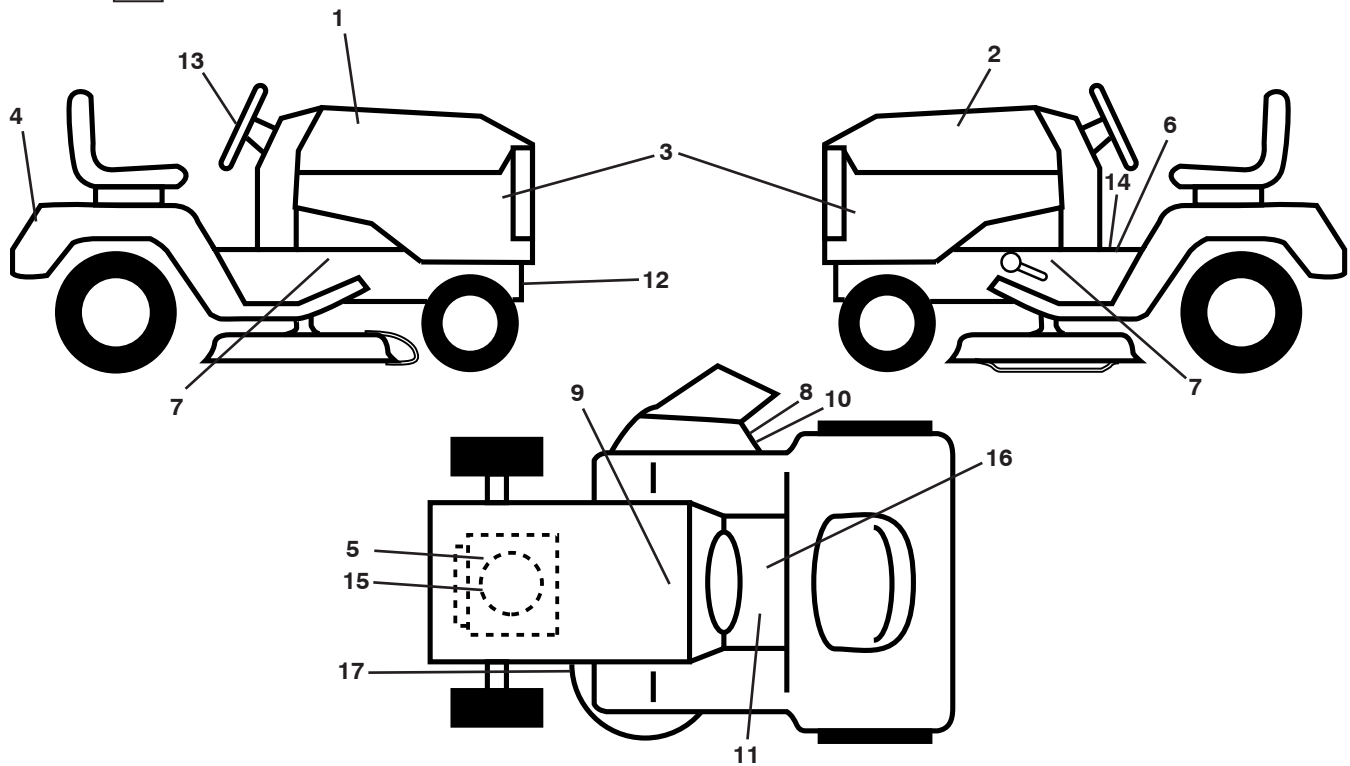
ILLUSTRATED PARTS LIST

MFG. ID NO. 96041013900

CUSTOMER CATALOG NO. PP18542

PRODUCT NO. 960 41 01-39

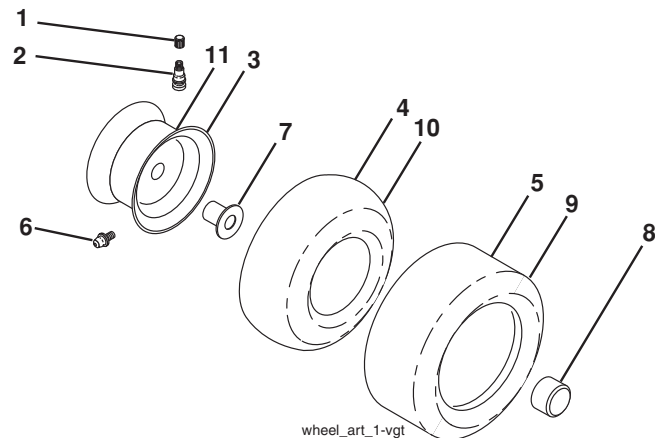
**TRACTOR - - MODEL NO. PP18542 (96041013900), PRODUCT NO. 960 41 01-39
DECALS 27**



KEY NO.	PART NO.	DESCRIPTION
1	532 18 61-63	Decal, Hood RH
2	532 18 61-64	Decal, Hood LH
3	532 18 92-90	Decal, Side Panel
4	532 17 27-40	Decal, Fender
5	532 40 88-32	Decal, Eng H.P.
6	532 40 03-89	Decal, Warning Sym
7	532 15 97-36	Decal, Chassis Hot Muffler
8	532 18 21-66	Decal, Cutfingher
9	532 14 50-05	Decal, Battery Dnge/Poi
10	532 19 63-57	Decal, Deflect Wrn Cutfingher

KEY NO.	PART NO.	DESCRIPTION
11	532 15 97-37	Decal, Brake/Clutch Symbol
12	532 16 25-98	Decal, Drawbar Load Limit
13	532 17 27-43	Decal, Steering Wheel
14	532 14 08-37	Decal, Saddle Brake Park
15	532 19 68-41	Decal, Engine Warning
17	532 16 03-96	Decal, V Belt Schem
--	532 41 12-73	Pad, Footrest RH
--	532 40 95-05	Pad, Footrest, LH
--	532 42 52-66	Manual, Operator's (English)

WHEELS AND TIRES



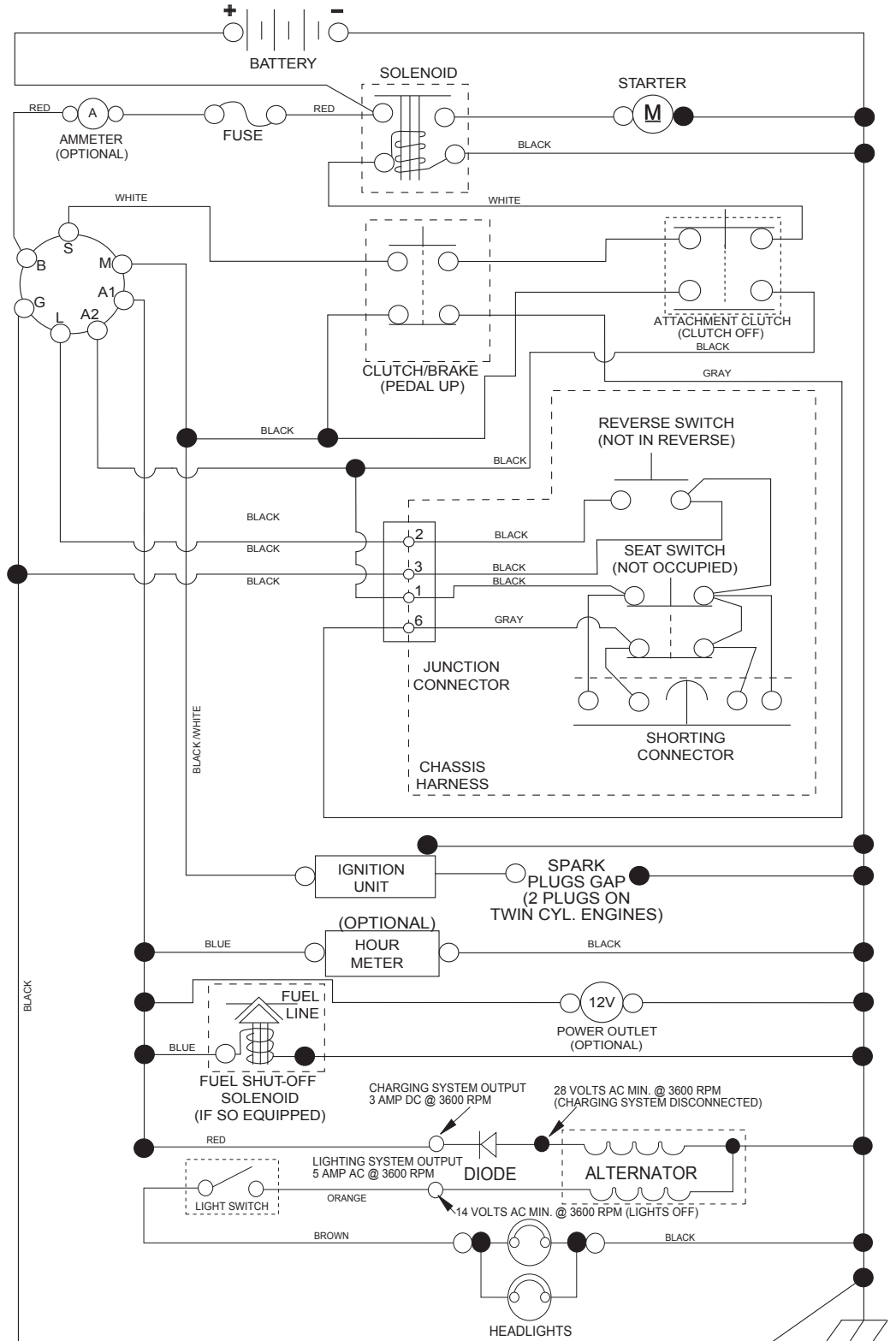
KEY NO.	PART NO.	DESCRIPTION
1	532 05 91-92	Cap, Valve, Tire
2	532 06 51-39	Stem, Valve
3	532 12 51-21	Rim Assembly, Front
4	532 05 99-04	Tube, Front
5	532 10 62-22	Tire, Front
6	532 12 49-57	Fitting, Grease
7	532 12 49-59	Bearing, Flange
8	532 19 32-68	Cap, Axle (Front Wheel Only)
9	532 13 84-68	Tire, Rear
10	532 12 49-26	Tube, Rear
11	532 12 51-22	Rim Assembly, Rear
--	532 14 43-34	Sealant, Tire (10 oz. Tube)

NOTE: All component dimensions given in U.S. inches
1 inch = 25.4 mm

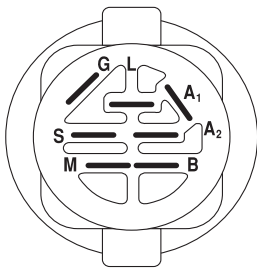
TRACTOR - - MODEL NO. PP18542 (96041013900), PRODUCT NO. 960 41 01-39

SCHEMATIC **38**

SCH11

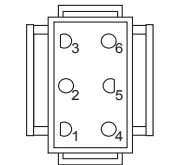


NOTE
 YOUR TRACTOR IS EQUIPPED WITH A SPECIAL ALTERNATOR SYSTEM. THE LIGHTS ARE NOT CONNECTED TO THE BATTERY, BUT HAVE THEIR OWN ELECTRICAL SOURCE. BECAUSE OF THIS, THE BRIGHTNESS OF THE LIGHTS WILL CHANGE WITH ENGINE SPEED. AT IDLE THE LIGHTS WILL DIM. AS THE ENGINE IS SPEEDED UP, THE LIGHTS WILL BECOME THEIR BRIGHTEST.

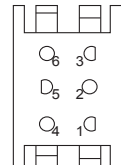


IGNITION SWITCH

POSITION	CIRCUIT	"MAKE"
OFF	M+G+A1	
RUN/OVERRIDE	B+A1	
RUN	B+A1	L+A2
START	B + S + A1	



CHASSIS HARNESS CONNECTOR (MATING SIDE)

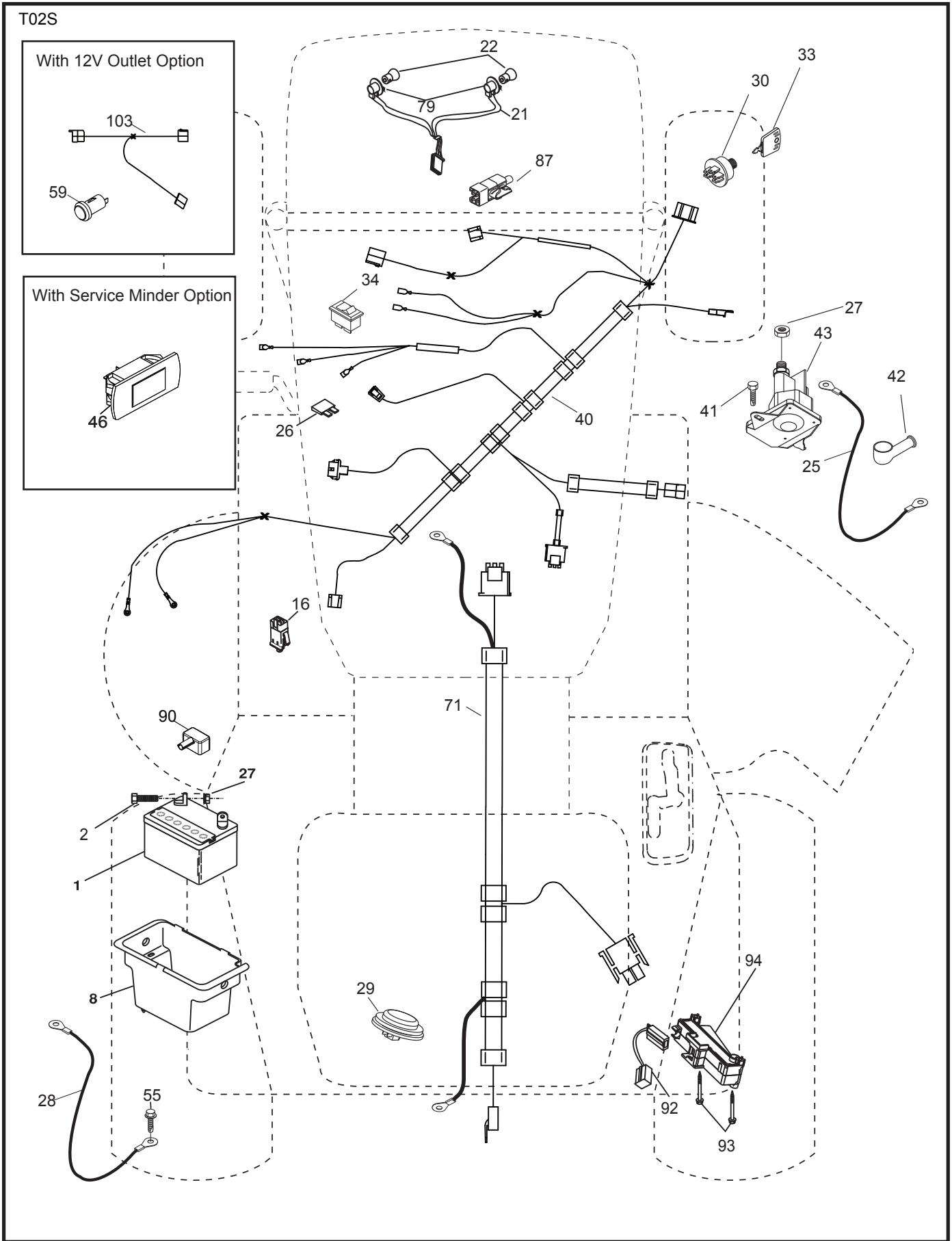


DASH HARNESS CONNECTOR (MATING SIDE)

WIRING INSULATED CLIPS
 NOTE: IF WIRING INSULATED CLIPS WERE REMOVED FOR SERVICING OF UNIT, THEY SHOULD BE RE-INSTALLED TO PROPERLY SECURE YOUR WIRING.

NON-REMOVABLE CONNECTIONS

REMOVABLE CONNECTIONS

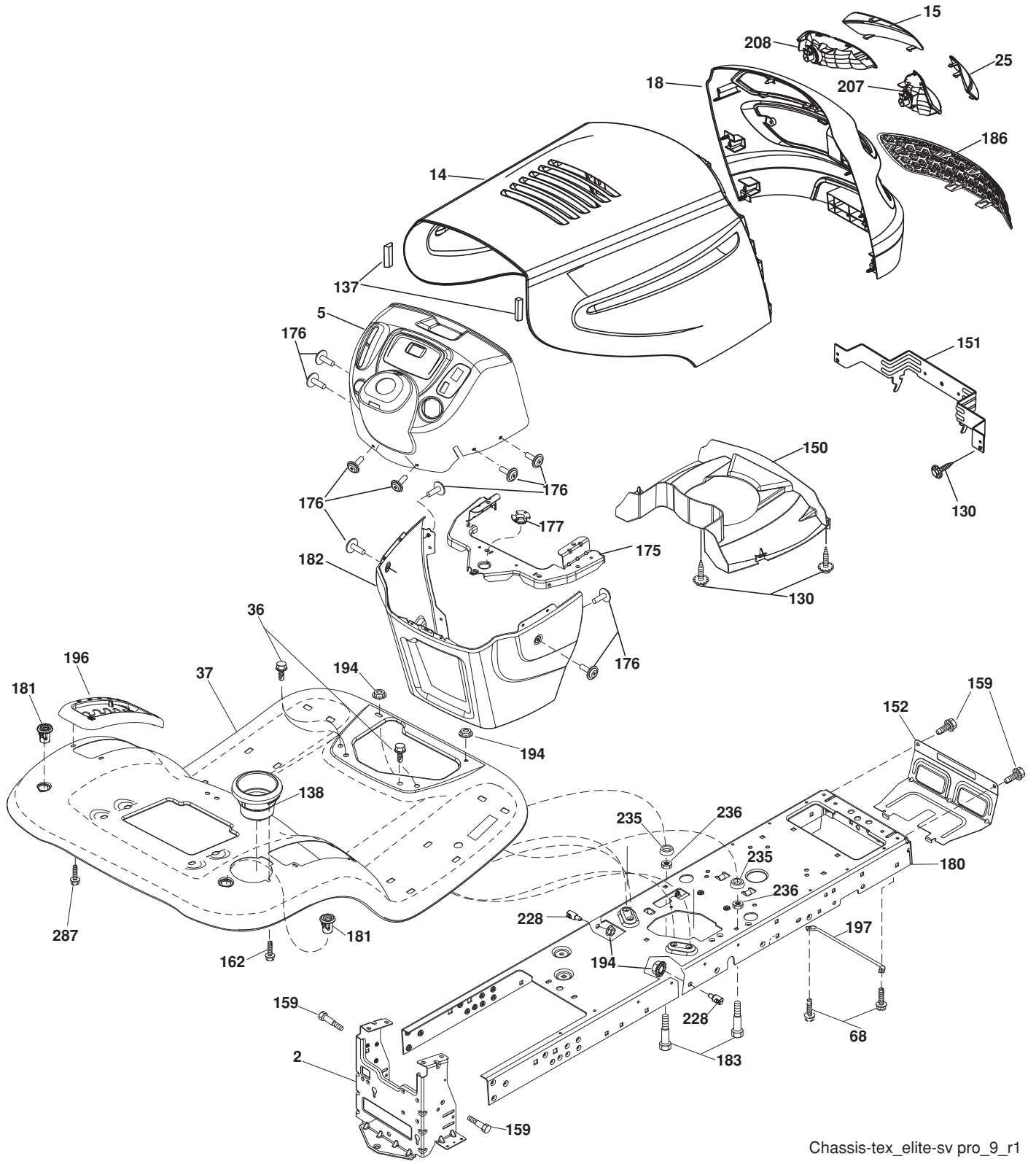


**TRACTOR - - MODEL NO. PP18542 (96041013900), PRODUCT NO. 960 41 01-39
ELECTRICAL 32**

KEY NO.	PART NO.	DESCRIPTION
1	532 16 34-65	Battery
2	874 76 04-12	Bolt Hex Head 1/4-20 x 3/4
8	532 19 32-28	Box Battery
16	532 17 61-38	Switch Interlock Push-In
21	532 18 37-59	Harness Socket Light w/4152J
22	532 00 41-52	Bulb Light
25	532 41 28-94	Cable Starter
26	532 17 51-58	Fuse
27	873 51 04-00	Nut Keps Hex 1/4-20 unc
28	532 19 88-85	Cable, Ground
29	532 40 15-45	Switch, Seat
30	532 19 33-50	Switch, Ignition
33	532 41 19-33	Key/Chain
34	532 11 07-12	Switch Light/Reset
40	532 40 10-98	Harness Ignition Dash
41	817 72 04-08	Screw Thd Cut 1/4-20 x 1/2
42	532 13 15-63	Cover, Terminal
43	532 19 25-07	Solenoid
55	817 06 05-12	Screw Thdrol 5/16-18 x 3/4 TYTT
71	532 40 04-49	Harness Ignition
79	532 17 52-42	Socket Asm Bulb Twistlock
87	532 19 78-02	Switch Interlock Clutch Cable
90	532 40 07-25	Cover Terminal Battery
92	532 19 66-15	Harness Pigtail Console ROS
93	532 19 25-40	Screw Plastite 10-14 x 2.0
94	532 19 18-34	Module Reverse ROS

NOTE: All component dimensions given in U.S. inches
1 inch = 25.4 mm

TRACTOR - - MODEL NO. PP18542 (96041013900), PRODUCT NO. 960 41 01-39
CHASSIS AND ENCLOSURES **39**



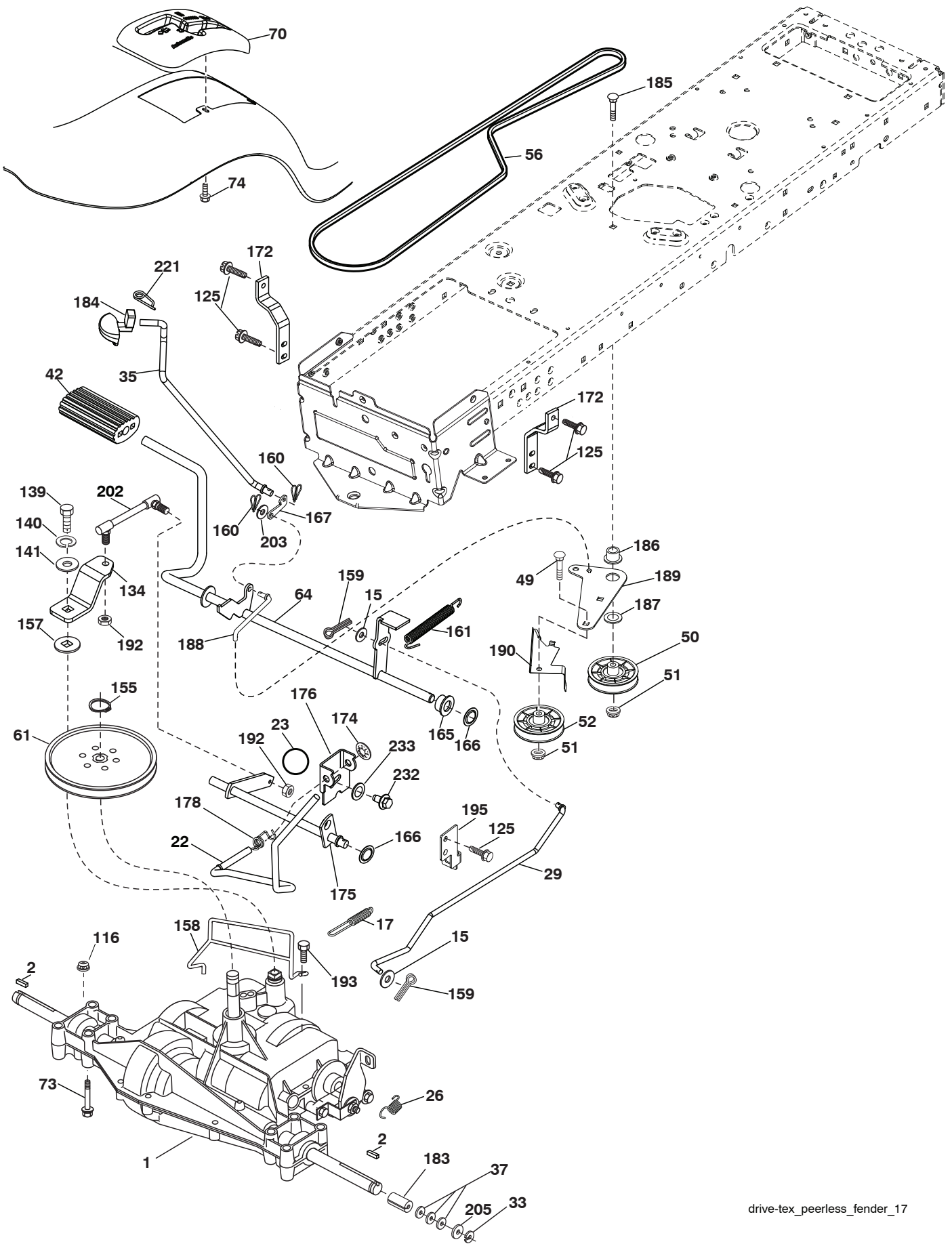
Chassis-tex_elite-sv pro_9_r1

**TRACTOR - - MODEL NO. PP18542 (96041013900), PRODUCT NO. 960 41 01-39
CHASSIS AND ENCLOSURES **39****

KEY NO.	PART NO.	DESCRIPTION
2	532 19 42-63	Drawbar
5	532 41 17-64	Dash
14	532 19 45-88	Hood
15	532 18 97-54	Lens Grille LH
18	532 18 38-28	Grille (Included Key #'s 15, 25,191)
25	532 18 97-55	Lens Grille RH
36	817 06 05-12	Screw 5/16-18 x 3/4
37	532 42 09-86	Fender
68	817 49 05-08	Screw THDROL 5/16-18 x 1/2
130	532 41 63-58	Screw #10 x 0.750 BOS Thread
137	532 18 49-21	Bumper Hood
138	532 40 97-30	Cupholder
150	532 18 43-22	Duct Heat Hood
151	532 40 78-07	Bracket Pivot
152	532 19 43-29	Shield Browning/Debris
159	817 00 06-12	Screw Hexwsh Thdrol 3/8-16 x 3/4
162	532 14 24-32	Screw Hex Wsh Hi-Lo 1/4 x 1/2 unc
175	532 19 32-43	Crossmember
176	532 40 07-76	Screw 10-24 x 5/8 Wshd Qdrx
177	532 19 52-28	Bushing Steering
180	532 19 42-60	Chassis
181	532 40 47-96	Bushing Mtg. Fender Crgo.
182	532 19 30-57	Dash Lower
183	874 78 05-20	Bolt Fin Hex 5/16-18 x 1-1/4
186	532 18 97-53	Insert Grille
194	873 90 05-00	Nut Lock Hex Flange 5/16-18
196	532 4145-81	Console Asm. Deck Lift
197	532 40 91-67	Rod Pivot Chassis
207	532 18 38-33	Bezel RH
208	532 18 38-32	Bezel LH
228	532 19 51-61	Stud Fastener
235	532 40 61-29	Spacer Fender
236	873 93 05-00	Nut Center Lock 5/16-18 unc
287	817 60 04-06	Screw Hex Washhead 1/4-20 x 3/8

NOTE: All component dimensions given in U.S. inches
1 inch = 25.4 mm

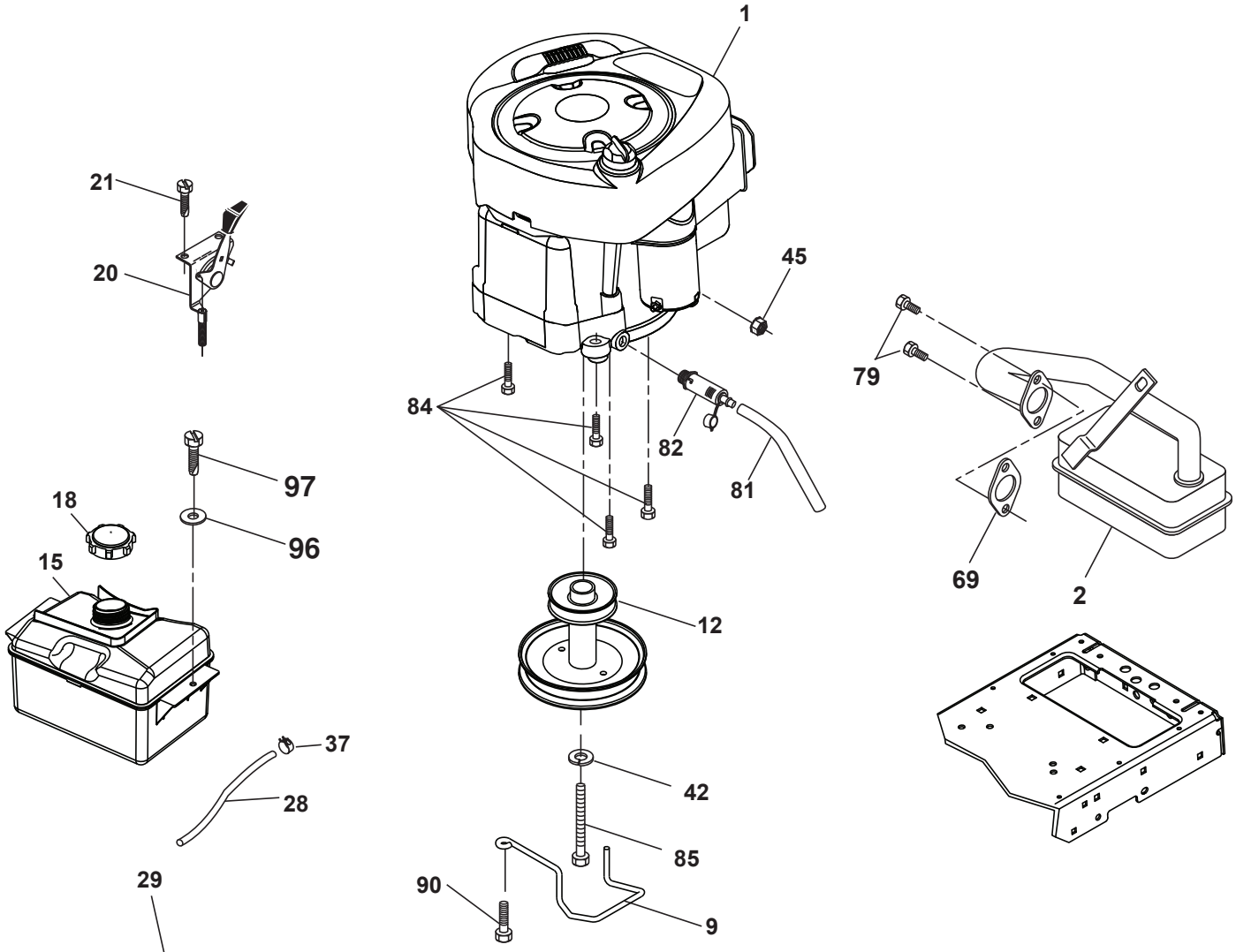
TRACTOR - - MODEL NO. PP18542 (96041013900), PRODUCT NO. 960 41 01-39
 DRIVE **40**



**TRACTOR - - MODEL NO. PP18542 (96041013900), PRODUCT NO. 960 41 01-39
DRIVE 40**

KEY NO.	PART NO.	DESCRIPTION	KEY NO.	PART NO.	DESCRIPTION
1	-----	Transaxle, Peerless 206-565	159	876 02 04-12	Pin Cotter 1/8 x 3/4
2	532 12 35-83	Key Square	160	532 16 94-84	Retainer Clip
15	819 13 13-16	Washer 13/32 x 13/16 x 16 Ga.	161	532 10 57-09	Spring, Return, Clutch
17	532 19 72-97	Spring, Brake	165	532 19 62-12	Busing Shaft Brake Hand Control
22	532 19 76-60	Rod Shift	166	532 19 72-90	Nut Push .625
23	532 17 16-74	Knob	167	532 40 52-57	Latch Brake Parking
26	532 19 74-55	Spring Brake RTN	172	532 19 76-57	Strap Torque LH
29	532 19 72-67	Rod, Brake	174	532 19 72-89	Nut Push
33	812 00 00-01	Ring E	175	532 19 62-24	Shaft Asm Shift
35	532 19 77-22	Rod, Brake, Park	176	532 19 62-14	Arm Clevis Rod Shift
37	532 12 17-49	Washer 25/32 x 1-1/4 x 16 Ga.	178	532 19 74-56	Spring Shift
42	532 12 48-72	Cover, Foot Pedal	183	532 13 70-57	Spacer, Axle
49	872 11 06-14	Bolt	184	532 41 12-89	Handle Parking Brake
50	532 19 43-27	Pulley Idler Flat	185	872 11 06-22	Bolt
51	873 90 06-00	Lock Nut 3/8-16	186	532 19 43-21	Spacer Retainer
52	532 19 43-26	Idler V-Groove	187	819 13 32-10	Washer
56	532 19 43-46	V-Belt, Drive	188	532 19 43-23	Link Clutch Ground Drive
61	532 12 36-66	Pulley Transaxle	189	532 19 43-17	Bellcrank Ground Drive
64	532 19 62-00	Shaft Asm. Pedal Brake Control	190	532 19 43-18	Keeper Bellcrank Ground Drive
70	532 41 12-90	Console	192	532 15 03-60	Nut Lock Center 1/4-28
73	874 49 05-44	Bolt 5/16-18 Gr. 5	193	817 06 05-12	Screw 5/16-18 x 3/4
74	532 14 24-32	Screw 1/4 x 1/2	195	532 19 73-32	Bracket Brake Rod
116	873 90 05-00	Nut Lock Hex Flange 5/16-18	202	532 16 62-31	Link Shift
125	817 00 05-12	Screw 5/16-18 x 3/4	203	819 11 11-16	Washer 11/32 x 11/16 x 16 Ga.
134	532 19 76-58	Arm Shift	205	532 12 17-48	Washer 25/32 x 1-5/8 x 16 Ga.
139	874 55 04-12	Bolt 1/4-20 unf Gr. 8 w/Patch	221	532 40 31-87	Retainer Spring Clip Handle
140	810 04 04-00	Washer Lock Hvy Helical 1/4	232	874 78 07-16	Bolt 7/16-14 x 1 Gr. 5
141	819 09 12-10	Washer 9/32 x 3/4 x 10 Ga.	233	532 40 52-96	Washer Serrated
155	812 00 00-28	Ring Retainer			
157	532 10 57-01	Washer Plate Shf			
158	532 19 43-52	Keeper T/A			

NOTE: All component dimensions given in U.S. inches
1 inch = 25.4 mm



OPTIONAL EQUIPMENT
Spark Arrester

engine-bs-1cyl-tex_2

**TRACTOR - - MODEL NO. PP18542 (96041013900), PRODUCT NO. 960 41 01-39
ENGINE 24**

KEY NO.	PART NO.	DESCRIPTION
1	-----	Engine B&S Model No. 31P777
2	532 13 73-52	Muffler
9	532 19 43-19	Keeper Belt Engine
12	532 40 19-85	Pulley Engine
15	532 40 75-45	Tank Fuel
18	532 19 77-25	Cap Asm
20	532 41 17-24	Control Throttle/Choke
21	532 41 63-58	Screw #10 x 0.750 BOS Thread
28	532 13 70-40	Fuel Line
29	532 13 71-80	Spark Arrester Kit
37	532 12 34-87	Clamp Hose
42	810 04 07-00	Washer Lock 7/16
45	873 51 04-00	Nut Keps Hex 1/4-20 unc
69	532 16 52-91	Gasket
79	532 19 23-34	Screw Socket HD 5/16-18 x .75
81	532 14 84-56	Tube Drain Oil Easy
82	532 18 16-54	Plug Drain Oil
84	817 06 06-20	Screw 3/8-16 x 1-1/4
85	532 17 39-37	Bolt 7/16-20 x 4 x Gr. 5-1.5
90	817 00 06-16	Screw 3/8-16 x 1
96	819 09 14-16	Washer 9/32 x 7/8 x 16 Ga.
97	817 67 04-12	Screw 1/4-20 x 3/4

NOTE: All component dimensions given in U.S. inches
1 inch = 25.4 mm

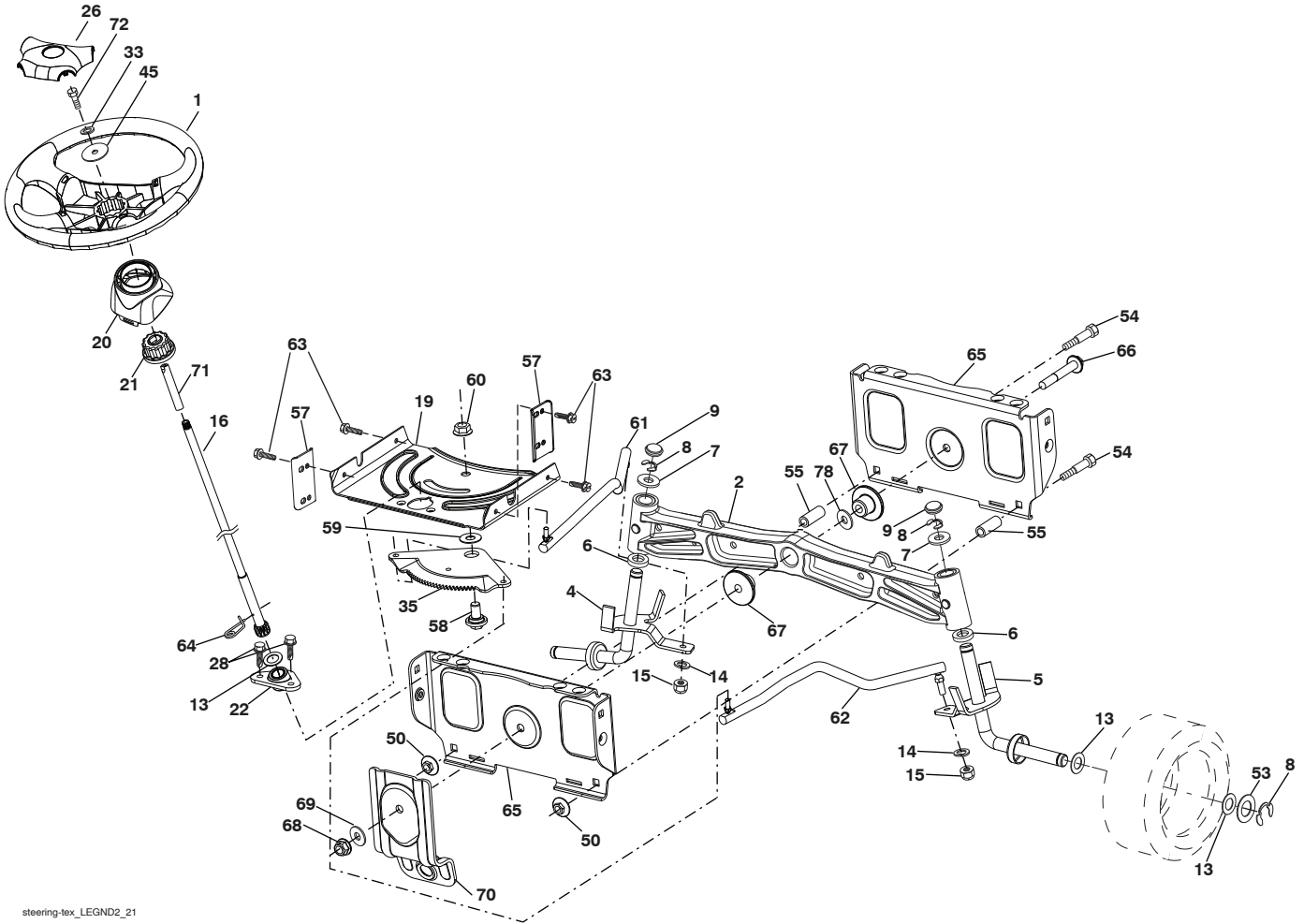
For engine service and replacement parts, call the toll free
number for your engine manufacturer listed below:

Briggs & Stratton 1-800-233-3723

ENGINE POWER RATING INFORMATION

The gross power rating for individual gas engine models is labeled in accordance with SAE (Society of Automotive Engineers) code J11940 (Small Engine Power & Torque Rating Procedure), and rating performance has been obtained and corrected in accordance with SAE J1995 (Revision 2002-5). Actual gross engine power will be lower and is affected by, among other things, ambient operating conditions and engine-to-engine variability. Given both the wide array of products on which engines are placed and the variety of environmental issues applicable to operating the equipment, the gas engine will not develop the rated gross power when used in a given piece of power equipment (actual "on-site" or net horsepower). This difference is due to a variety of factors including, but not limited to, accessories (air cleaner, exhaust, charging, cooling, carburetor, fuel pump, etc.), application limitations, ambient operating conditions (temperature, humidity, altitude), and engine-to-engine variability. Due to manufacturing and capacity limitations, Briggs & Stratton may substitute an engine of higher rated power for this Series engine.

TRACTOR - - MODEL NO. PP18542 (96041013900), PRODUCT NO. 960 41 01-39
STEERING ASSEMBLY **41**



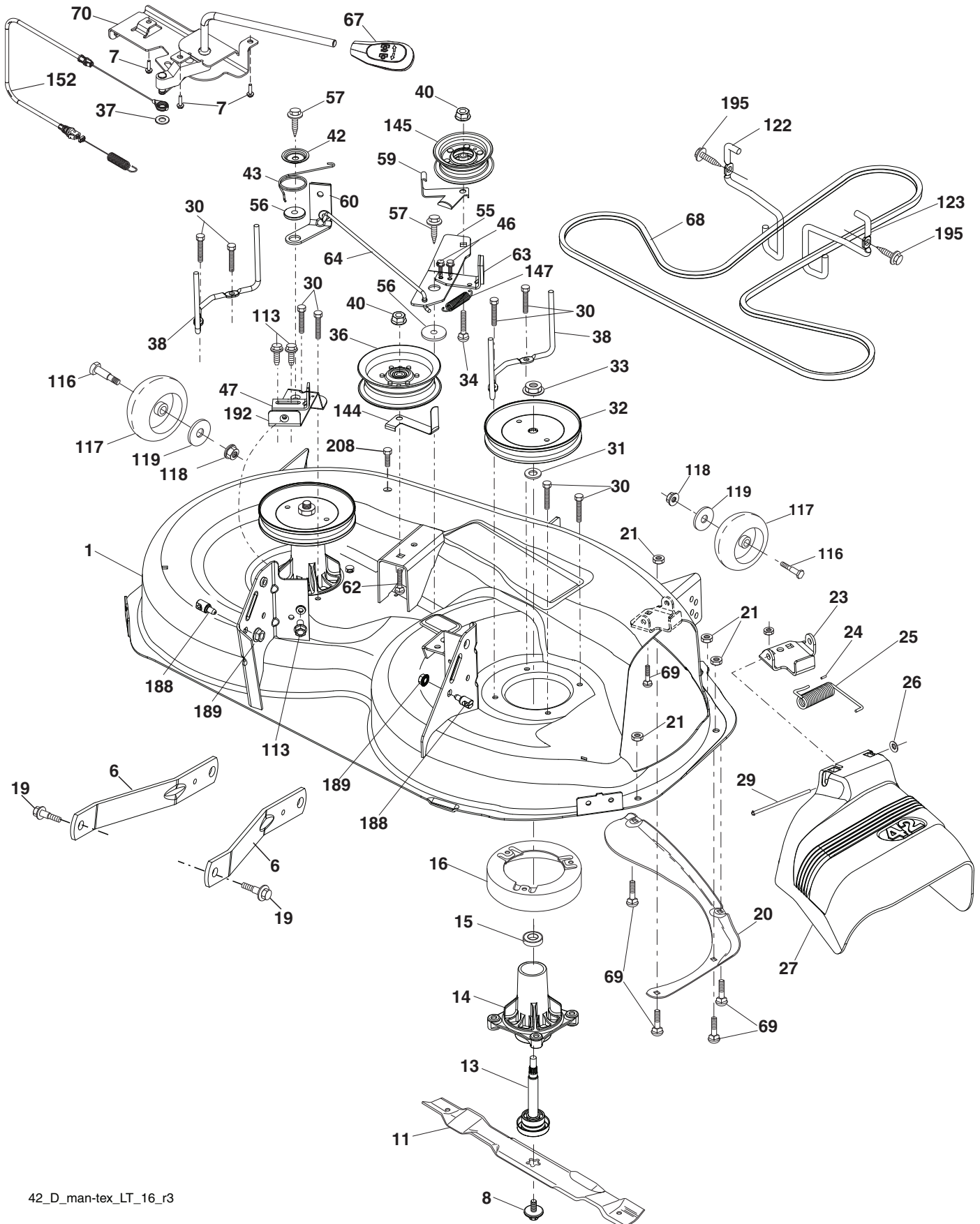
steering-tex_LEGND2_21

TRACTOR - - MODEL NO. PP18542 (96041013900), PRODUCT NO. 960 41 01-39
STEERING ASSEMBLY 41

KEY NO.	PART NO.	DESCRIPTION
1	532 19 45-95	Wheel, Steering
2	532 18 47-06	Axle Asm.
4	532 40 30-87	Spindle Asm., LH
5	532 40 30-88	Spindle Asm., RH
6	532 12 49-31	Bearing, Race Thrust Harden
7	532 12 17-48	Washer 25/32 x 1-5/8 x 16 Ga.
8	812 00 00-29	Ring, Clip #T5304-75
9	532 12 12-32	Cap, Spindle
13	532 12 17-49	Washer 25/32 x 1-1/4 x 16 Ga.
14	810 04 06-00	Washer, Lock Hvy Hlcl Spr 3/8
15	873 54 06-00	Nut, Crown Lock 3/8-24 unf
16	532 19 60-74	Shaft Steering
19	532 19 47-29	Plate Steering
20	532 41 12-91	Boot, Steering
21	532 18 67-37	Adapter, Wheel Steering
22	532 19 48-45	Bushing, Strg. Blk
26	532 19 46-03	Insert, Wheel Steering
28	817 00 06-12	Screw 3/8-16 x 3/4
33	810 04 05-00	Washer Lock Hvy HLCL Spr 5/16
35	532 19 47-32	Gear, Sector Plate
45	819 11 38-12	Washer 11/32 ID x 2 3/8 OD x 12 Ga.
50	873 90 06-00	Nut Lock 3/8-16 unc
53	532 18 89-67	Washer Hardened .793 x 1.637 x .060
54	874 76 06-36	Bolt Hex 3/8-16 unc x 2-1/4
55	532 41 47-36	Spacer Brace Axle
57	532 40 74-65	Bracket Upstop
58	532 19 47-47	Bolt Shoulder Sector Pivot CFM
59	532 19 47-48	Washer Thrust Sector Steering
60	873 97 10-00	Nut Flange Lock 5/8-11
61	532 19 47-40	Draglink, LH
62	532 19 47-41	Draglink, RH
63	817 00 05-12	Screw 5/16-18 x 3/4
64	532 19 98-49	Retainer Clip Spring Steering
65	532 19 47-34	Brace Axle Front
66	871 02 07-48	Bolt Hex Fghd 7/16-14 x 3 Serr
67	532 19 47-37	Bushing PM Front Axle
68	873 90 07-00	Nut Lock Flange 7/16-14 Gr. 5
69	532 19 91-62	Washer 1.5 x .505 x .118
70	532 19 61-97	Bracket Deck Susp. Front
71	532 19 60-75	Shaft Ext Steering
72	874 78 05-72	Bolt Fin Hex 5/16-18 unc 4.5 Gr. 5
78	532 05 70-79	Washer Thrust .515 x .750 x .033

NOTE: All component dimensions given in U.S. inches
1 inch = 25.4 mm

TRACTOR - - MODEL NO. PP18542 (96041013900), PRODUCT NO. 960 41 01-39
MOWER DECK 44



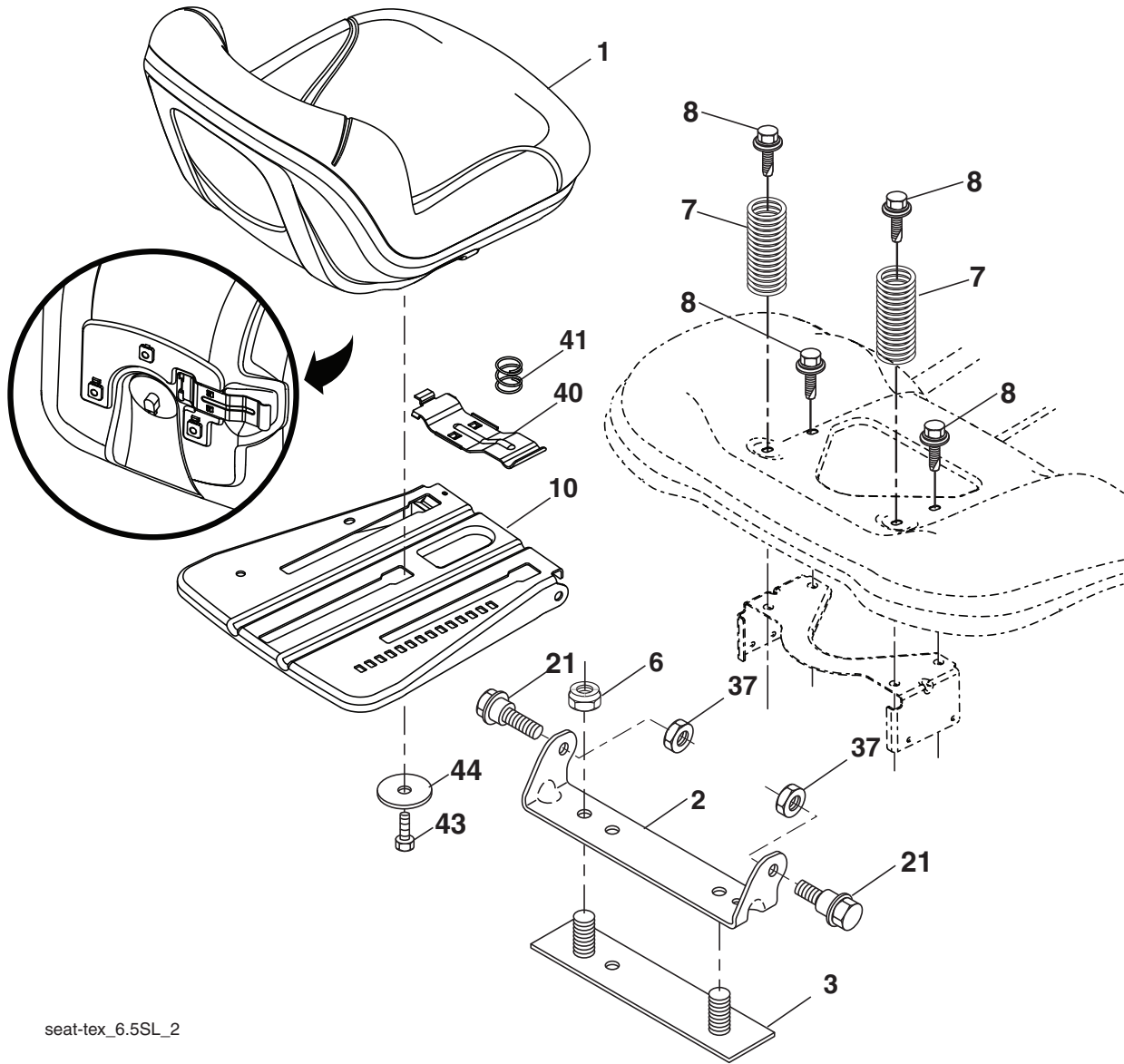
42_D_man-tex_LT_16_r3

**TRACTOR - - MODEL NO. PP18542 (96041013900), PRODUCT NO. 960 41 01-39
MOWER DECK 44**

KEY NO.	PART NO.	DESCRIPTION	KEY NO.	PART NO.	DESCRIPTION
1	532 19 64-95	Mower Housing	59	532 14 10-43	Guard, Tuv. Idler
6	532 19 51-86	Arm Suspension	60	532 19 74-02	Arm Brake Mower
7	532 41 63-58	Screw #10 x BOS Thread	62	872 11 06-16	Bolt Rd Hd Sqkn 3/8-16 unc x 2
8	532 19 30-03	Bolt/Washer Asm. 7/16-20 unf	63	532 19 94-78	Arm Brake Mower
11	532 13 89-71	Blade Mower 42" Hi Lift	64	532 19 99-18	Link Brake
13	532 19 28-72	Shaft Assembly, Mandrel	67	532 40 97-92	Handle Clutch Cable
14	532 18 72-81	Housing, Mandrel	68	532 19 72-53	V-Belt
15	532 11 04-85	Bearing, Ball, Mandrel	69	872 14 05-05	Bolt
16	532 17 44-93	Stripper Mandrel	70	532 19 83-32	Clutch Asm. Manual
19	532 19 65-39	Bolt, Shoulder	113	817 00 05-10	Bolt 5/16-18 Hex Wsh Hd Lckserr
20	532 15 97-70	Baffle Vortex	116	532 12 48-42	Bolt SHLD "A" 2.41 "B" 1.66
21	873 68 05-00	Nut, Crownlock 5/16-18 unc	117	532 18 86-06	Wheel Gauge
23	532 19 25-57	Bracket, Deflector	118	873 93 06-00	Nut Centerlock 3/8-16 unc
24	532 10 53-04	Cap, Sleeve	119	819 12 14-14	Washer 3/8 x 7/8 x 14 Ga.
25	532 19 70-26	Spring, Torsion, Deflector	122	532 19 72-58	Keeper Belt Engine LH
26	532 11 04-52	Nut, Push	123	532 19 72-59	Keeper Belt Engine RH
27	532 40 30-04	Shield, Deflector	144	532 19 92-04	Keeper Belt
29	532 13 14-91	Rod, Hinge	145	532 19 31-97	Pulley, Idler, Flat
30	532 17 39-84	Screw Thdrol. Rolling Wsh. Hd.	147	532 40 19-71	Spring Return
31	532 18 76-90	Washer, Spacer	152	532 40 87-14	Manual Clutch Cable
32	532 19 74-73	Pulley, Mandrel	188	532 19 51-61	Stud Fastener
33	532 40 02-34	Nut, Toplock, Flanged	189	873 90 05-00	Nut Lock Hex Flange
34	872 11 06-12	Bolt Carr. Sh. 3/8-16 x 1-1/2 Gr. 5	192	532 19 72-50	Bracket Clutch Cable
36	532 19 73-79	Pulley Idler 4.50 RAW	195	817 00 06-12	Screw 3/8-16 x 3/4
37	819 13 13-16	Washer	208	817 67 06-08	Screw Thdrol 3/8-16 x 1/2
38	532 19 91-89	Keeper Belt LH Mandrel	--	532 19 28-70	Mandrel Assembly (Includes housing, shaft assembly, and bearing only - pulley/nut/washer and blade bolt/washers not included)
40	873 90 06-00	Nut, Lock Flg. 3/8-16 unc	--	532 40 29-42	Replacement Mower, Complete
42	532 19 72-56	Spring Torsion Retainer			
43	532 19 84-10	Spring Torsion Brake			
46	532 13 77-29	Screw 1/4-20 x 5/8			
47	532 19 72-60	Bracket Brake Stand LH			
55	532 19 72-49	Arm, Idler			
56	532 19 90-92	Spacer, Retainer			
57	817 00 06-16	Screw 3/8-16 x 1			

NOTE: All component dimensions given in U.S. inches
1 inch = 25.4 mm

TRACTOR - - MODEL NO. PP18542 (96041013900), PRODUCT NO. 960 41 01-39
SEAT ASSEMBLY 42



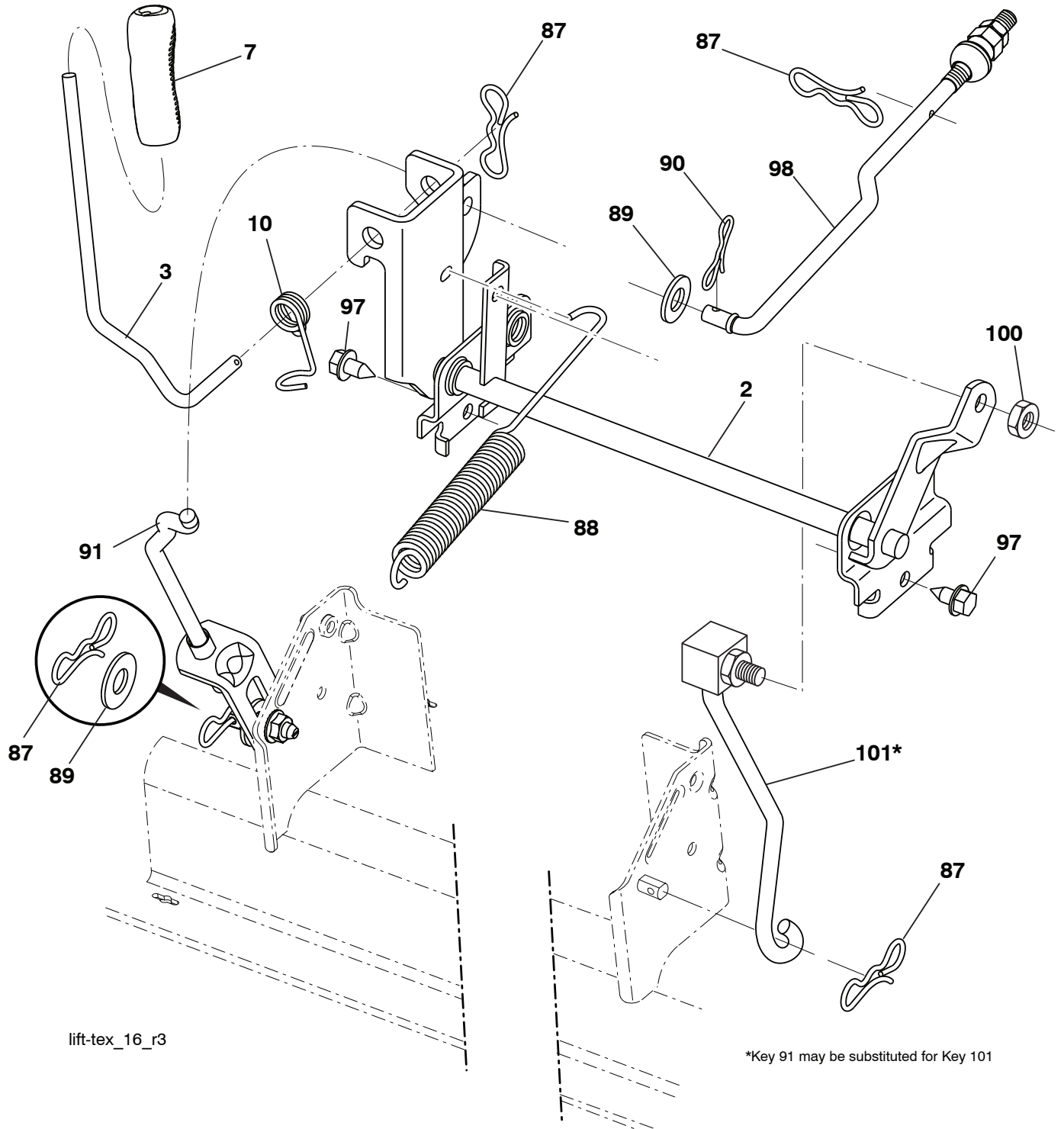
seat-tex_6.5SL_2

KEY NO.	PART NO.	DESCRIPTION
1	532 19 75-11	Seat
2	532 18 01-66	Bracket Pivot Fender
3	532 14 06-75	Strap, Asm Fender
6	873 80 06-00	Nut, Lock w/Ins. 3/8-16 unc
7	532 12 41-81	Spring, Seat Cprsn
8	532 17 18-77	Bolt 5/16-18 unc x 3/4 w/Sems
10	532 19 69-77	Pan, Seat
21	532 17 18-52	Bolt, Shoulder 5/16-18

KEY NO.	PART NO.	DESCRIPTION
37	873 80 05-00	Nut, Lock 5/16-18 unc
40	532 19 76-61	Handle Slide Seat
41	532 19 82-00	Spring Latch Seat
43	874 76 06-12	Bolt Fin Hex 3/8-16 unc x 3/4
44	819 13 38-12	Washer 13/32 x 2-3/8 x 12 Ga.

NOTE: All component dimensions given in U.S. inches
 1 inch = 25.4 mm

**TRACTOR - - MODEL NO. PP18542 (96041013900), PRODUCT NO. 960 41 01-39
MOWER LIFT 45**



lift-tex_16_r3

*Key 91 may be substituted for Key 101

KEY NO.	PART NO.	DESCRIPTION
2	532 19 52-23	Shaft Asm., Lift
3	532 19 52-31	Lever Asm., Lift RH
7	532 41 17-42	Grip, Lever
10	532 19 63-14	Spring Torsion
87	532 19 42-09	Pin Cotter 7/16 Bow Tie Lock
88	532 41 07-10	Spring Lift Assist
89	819 19 19-12	Washer Clear Zinc
90	532 19 42-08	Pin Cotter 5/16 Bow Tie Lock

KEY NO.	PART NO.	DESCRIPTION
91	532 19 51-81	Link Asm. Lift Rear
97	817 00 06-12	Screw 3/8-16 x .75 Smgml Tap/R.Z
98	532 19 52-70	Link Lift Susp. Front Mower
100	873 93 06-00	Nut Centerlock 3/8-16 unc
101	532 40 70-03	Link Asm Lift FXD

NOTE: All component dimensions given in U.S. inches
1 inch = 25.4 mm

Free Manuals Download Website

<http://myh66.com>

<http://usermanuals.us>

<http://www.somanuals.com>

<http://www.4manuals.cc>

<http://www.manual-lib.com>

<http://www.404manual.com>

<http://www.luxmanual.com>

<http://aubethermostatmanual.com>

Golf course search by state

<http://golfingnear.com>

Email search by domain

<http://emailbydomain.com>

Auto manuals search

<http://auto.somanuals.com>

TV manuals search

<http://tv.somanuals.com>