

# **ILLUSTRATED PARTS LIST**

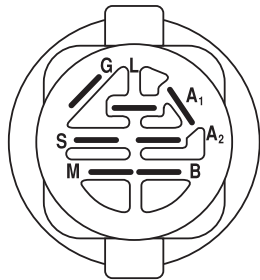
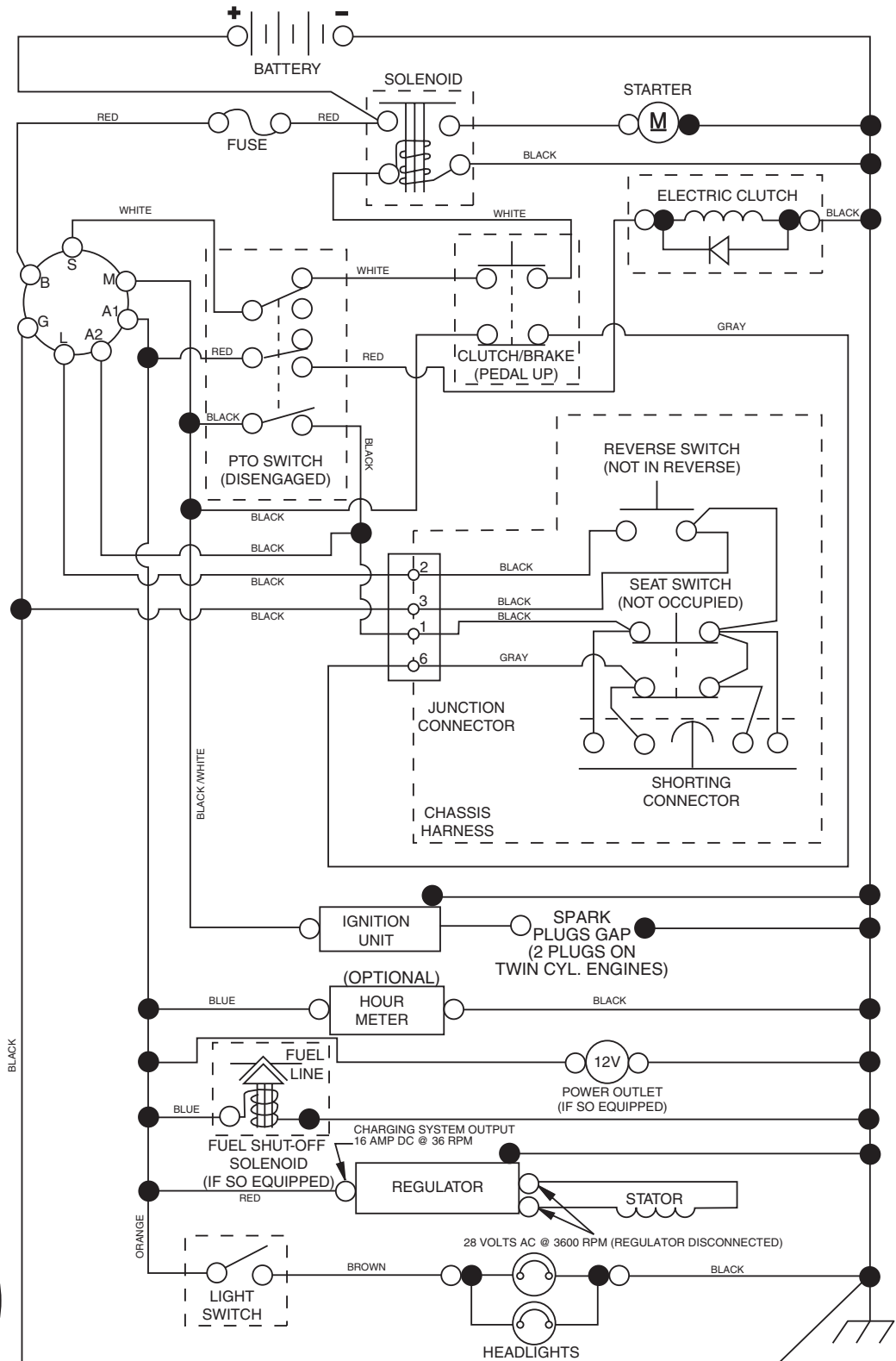
**MFG ID NO. 96042004001**

**CUSTOMER CATALOG NO. PBGT26H54**

**PRODUCT NO. 960 42 00-40**

# TRACTOR - - MODEL NUMBER PBGT26H54 (96042004001), PRODUCT NO. 960 42 00-40 SCHEMATIC

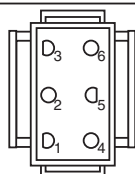
02929-194276\_Regulated-Tex



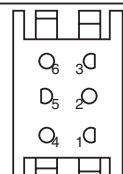
**IGNITION SWITCH**

POSITION	CIRCUIT	"MAKE"
OFF	M+G+A1	
RUN/OVERRIDE	B+A1	
RUN	B+A1	L+A2
START	B + S + A1	

02929



CHASSIS HARNESS CONNECTOR (MATING SIDE)



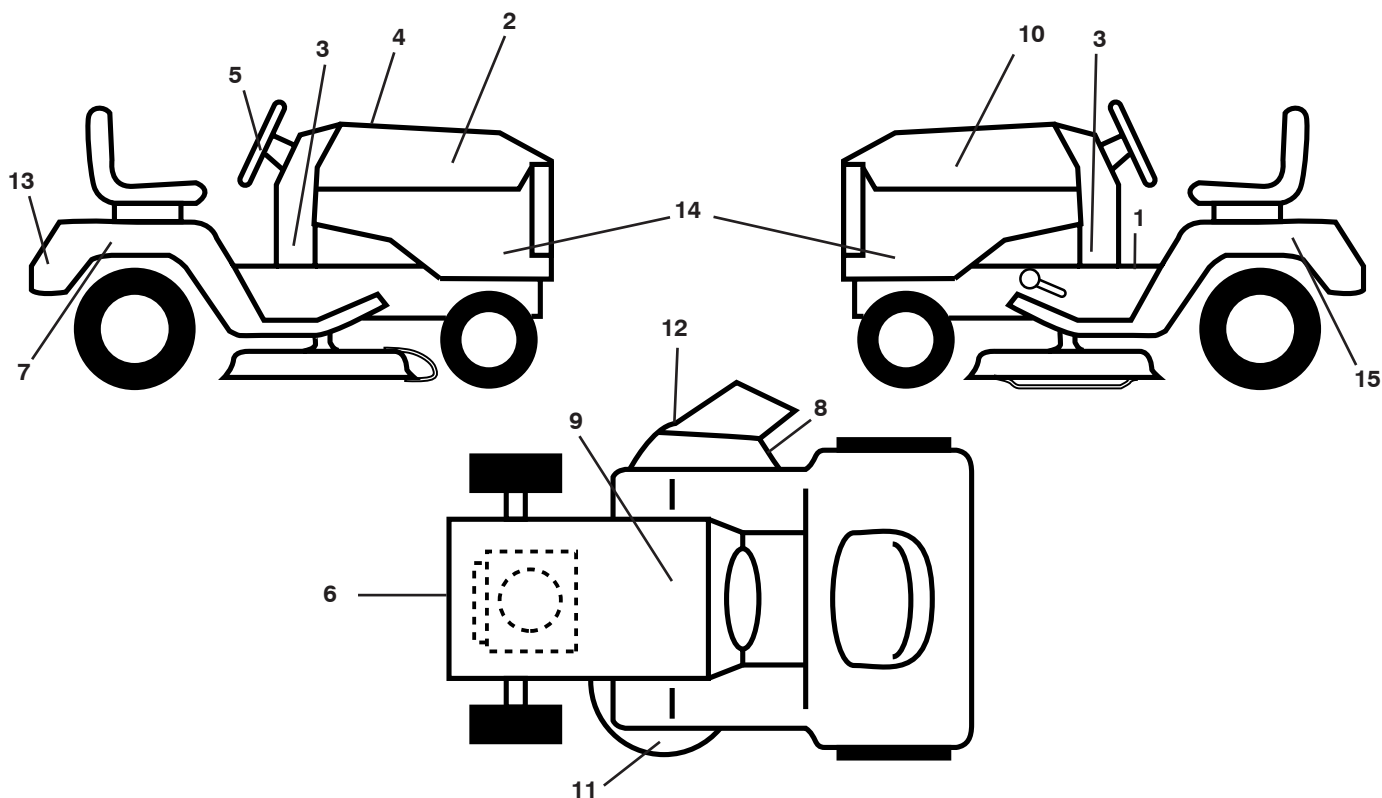
DASH HARNESS CONNECTOR (MATING SIDE)

**WIRING INSULATED CLIPS**  
**NOTE:** IF WIRING INSULATED CLIPS WERE REMOVED FOR SERVICING OF UNIT, THEY SHOULD BE REPLACED TO PROPERLY SECURE YOUR WIRING.

●  
NON-REMOVABLE CONNECTIONS

○  
REMOVABLE CONNECTIONS

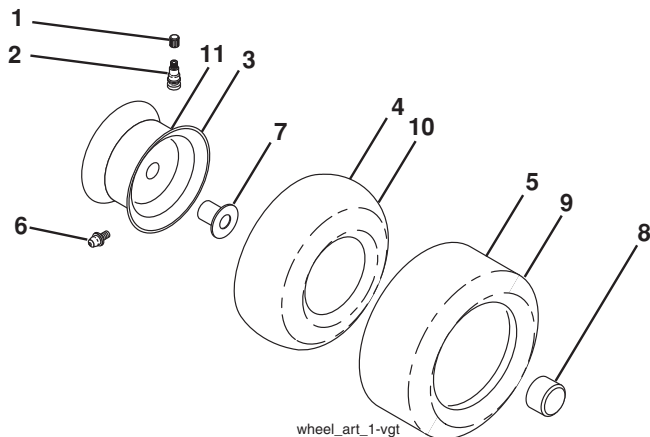
# TRACTOR - - MODEL NUMBER PBGT26H54 (96042004001), PRODUCT NO. 960 42 00-40 DECALS



KEY NO.	PART NO.	DESCRIPTION
1	402104	Decal, Operator's
2	402355	Decal, Hood RH
3	402525	Decal, Dash Lower
4	<b>412364</b>	Decal, Replacement
5	172743	Decal, Strg Whl
6	<b>408843</b>	Decal, Engine HP
7	<b>408948</b>	Decal, Fender SD RH
8	198785	Decal, Mower Sch.
9	145005	Decal, Battery Dnge/Poi
10	402357	Decal, Hood LH

KEY NO.	PART NO.	DESCRIPTION
11	178502	Decal, Mower Caution
12	170563	Decal, Mower Warning Keep Hand Away
13	172740	Decal, Fender
14	<b>408796</b>	Decal, Panel SD
15	<b>408949</b>	Decal, Fender SD LH
--	166960	Decal, Bypass
--	193279X428	Pad, Footrest, LH
--	193101X428	Pad, Footrest, RH
--	<b>409613</b>	Manual, Operator's (Eng & French)
--	<b>412389</b>	Manual, Parts

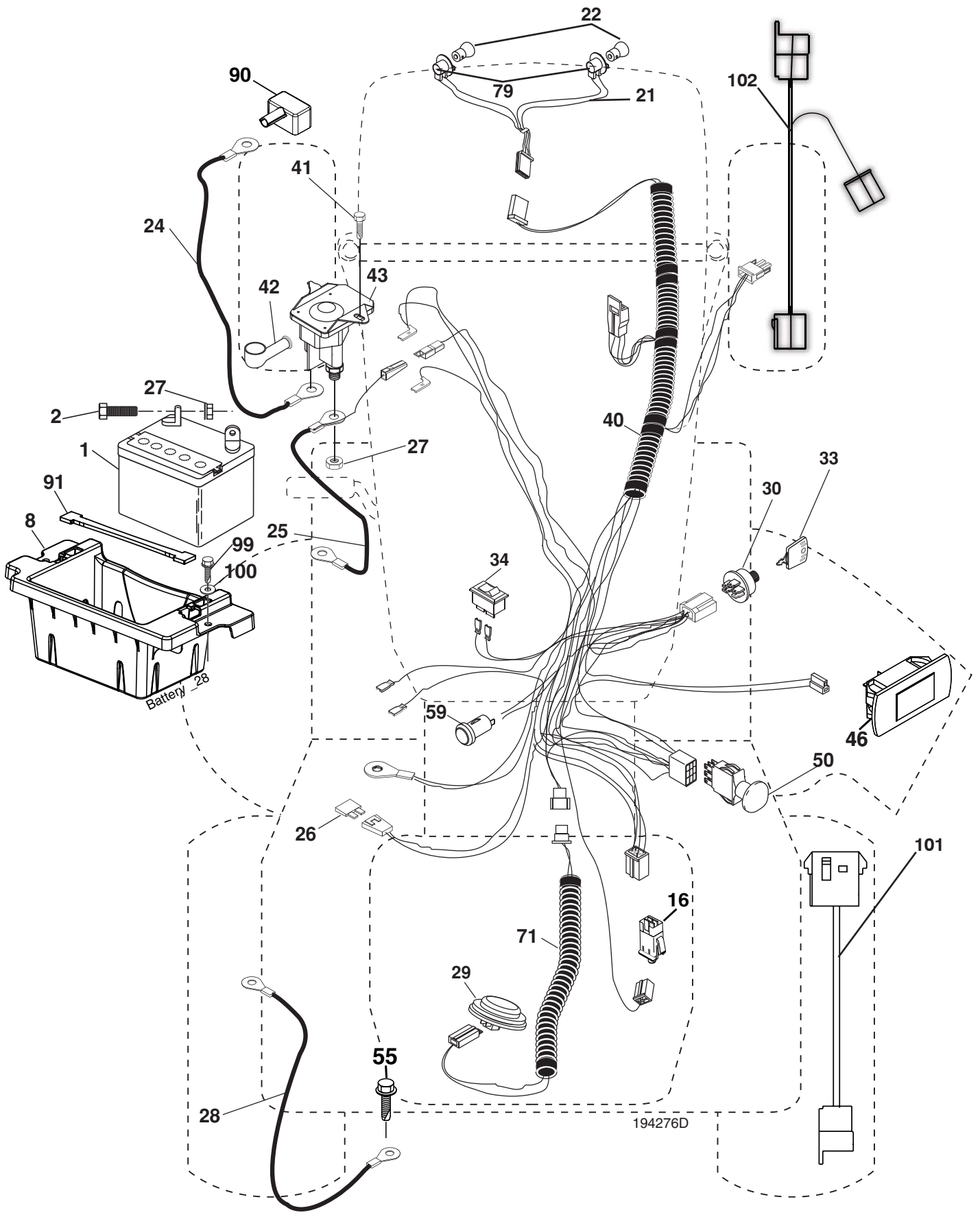
## WHEELS AND TIRES



KEY NO.	PART NO.	DESCRIPTION
1	59192	Cap, Valve, Tire
2	65139	Stem, Valve
3	106228X421	Rim Assembly, Front
4	59904	Tube, Front (Service Item Only)
5	106230X	Tire, Front
6	278H	Fitting, Grease (Front Wheel Only)
7	9040H	Bearing, Flange (Front Wheel Only)
8	104757X421	Cap, Axle (Front Wheel Only)
9	<b>105588X</b>	Tire, Rear
10	7152J	Tube, Rear (Service Item Only)
11	<b>124074X421</b>	Rim Assembly, Rear
--	144334	Sealant, Tire (10 oz. Tube)

**NOTE:** All component dimensions given in U.S. inches  
1 inch = 25.4 mm

TRACTOR -- MODEL NUMBER PBGT26H54 (96042004001), PRODUCT NO. 960 42 00-40  
ELECTRICAL

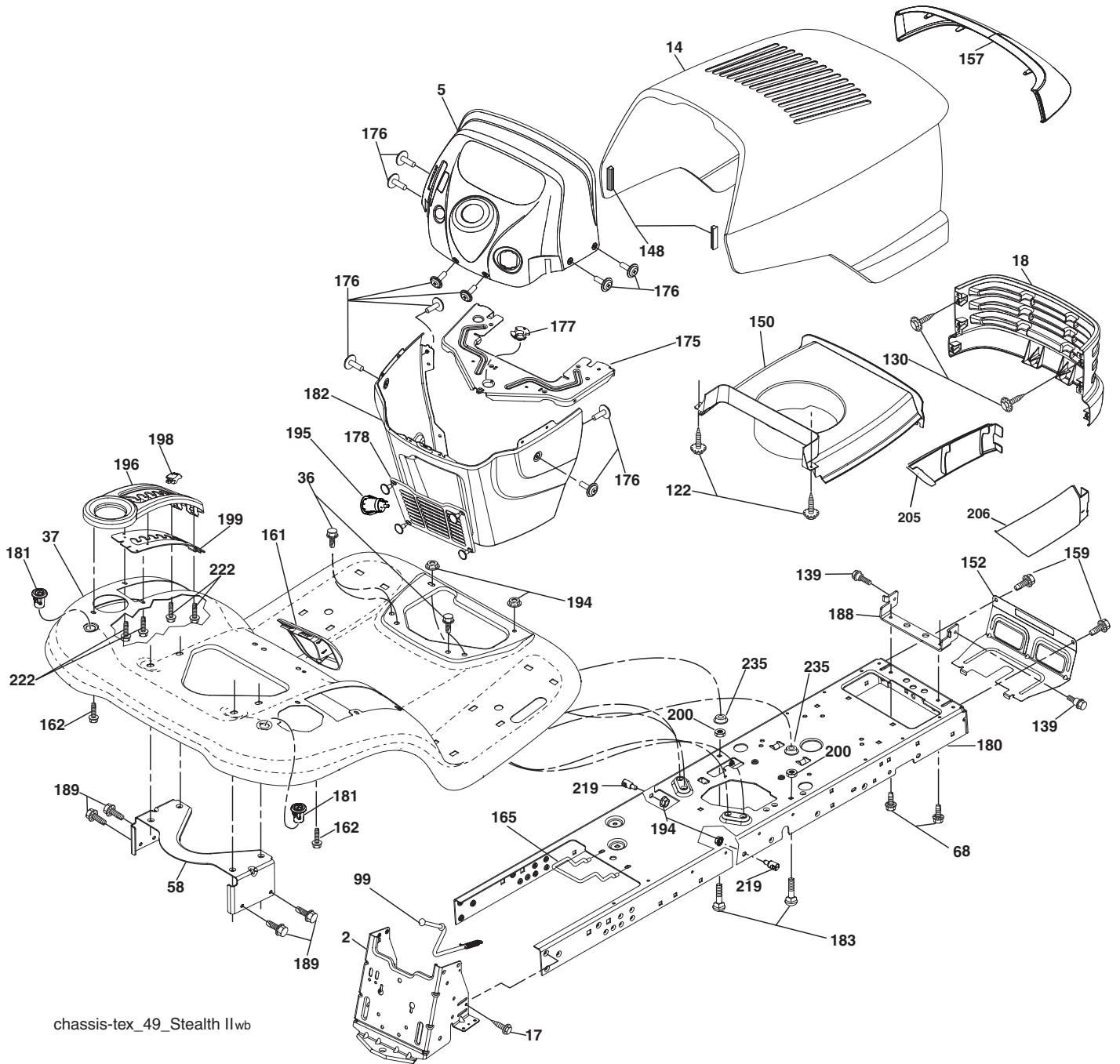


**TRACTOR - - MODEL NUMBER PBGT26H54 (96042004001), PRODUCT NO. 960 42 00-40  
ELECTRICAL**

<b>KEY NO.</b>	<b>PART NO.</b>	<b>DESCRIPTION</b>
1	144927	Battery
2	74760412	Bolt Hex Head 1/4-20 x 3/4
8	186491	Box Battery
16	176138	Switch Interlock Push-In
21	175688	Harness Socket Light W/4152J
22	4152J	Bulb Light
24	400253	Cable Battery
25	198893	Cable Start Red 17.5"
26	175158	Fuse
27	73510400	Nut Keps Hex 1/4-20 unc
28	145491	Cable, Ground
29	401545	Switch, Seat
30	193350	Switch, Ignition
33	140401	Key, Ignition
34	110712X	Switch Light / Reset
40	<b>401104</b>	Harness Ign. Dash
41	17720408	Screw Thd Cut 1/4-20 x 1/2
42	131563	Cover, Terminal
43	192507	Solenoid
46	<b>401763</b>	Gauge Hourmeter
50	174653	Switch, PTO
55	17490512	Screw Thdrol 5/16-18 x 3/4 TYTT
59	400303	Outlet 12-Volt
71	<b>194276</b>	Harness Ignition Chassis
79	175242	Bulbholder Asm. Incan Descent
90	<b>400724</b>	Cover Terminal Battery
91	190270	Strap Battery Mount Front
99	17670412	Screw Hexwsh Thdrol 1/4-20 x 3/4
100	19091416	Washer 9/32 x 7/8 x 16 Ga.
101	<b>198317</b>	Pigtail MATNLK
102	<b>407962</b>	Harness Pigtail 12V Outlet

**NOTE:** All component dimensions given in U.S. inches  
1 inch = 25.4 mm

**TRACTOR - - MODEL NUMBER PBGT26H54 (96042004001), PRODUCT NO. 960 42 00-40  
CHASSIS**



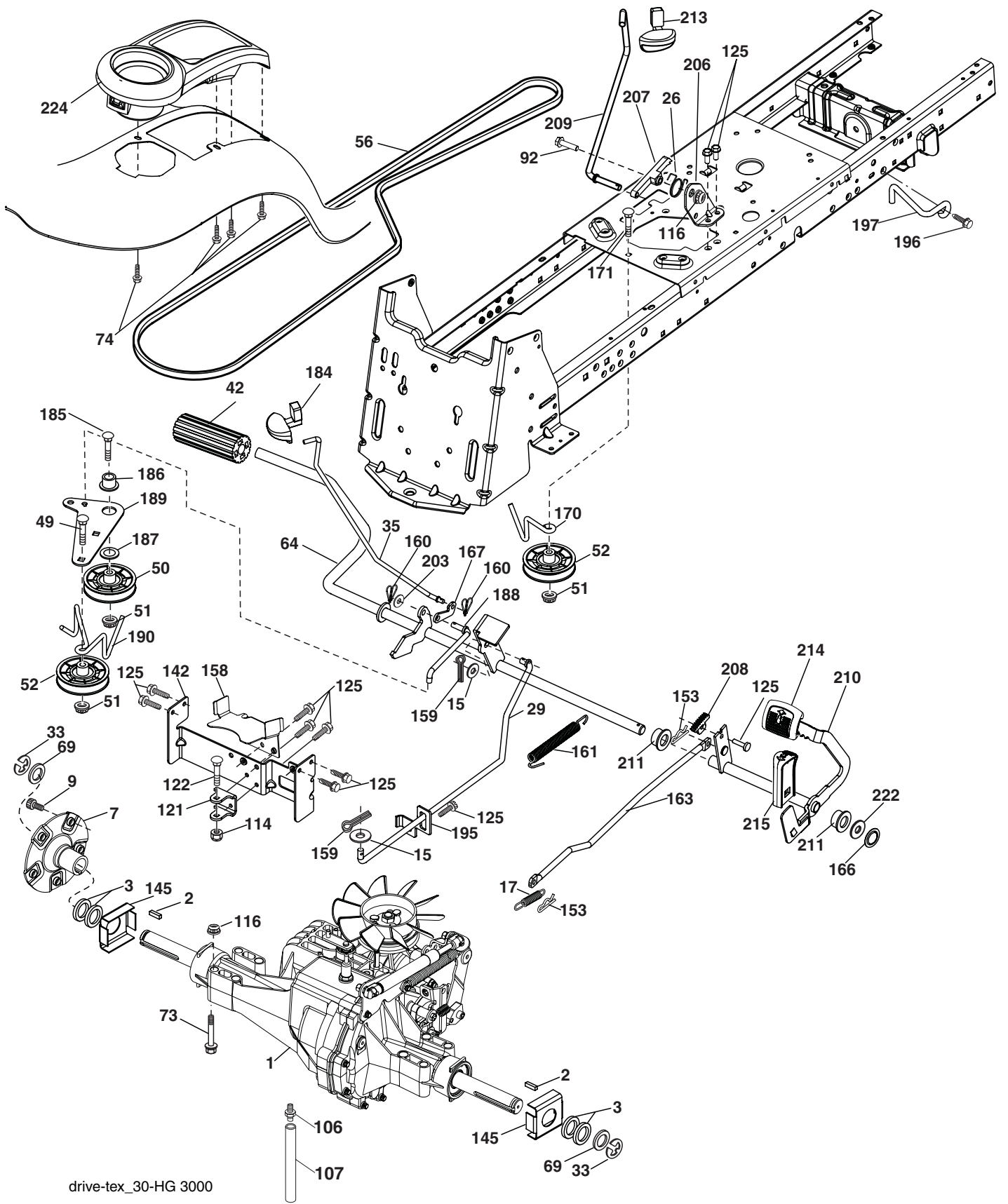
chassis-tex\_49\_Stealth II wb

**TRACTOR - - MODEL NUMBER PBGT26H54 (96042004001), PRODUCT NO. 960 42 00-40  
CHASSIS**

<b>KEY NO.</b>	<b>PART NO.</b>	<b>DESCRIPTION</b>
2	<b>194261</b>	Drawbar
5	195102X428	Dash
14	175260X428	Hood
17	17060612	Screw 3/8-16 x .75
18	175289X428	Grille
36	<b>17060512</b>	Screw 5/16 - 18 x 3/4
37	<b>400009X428</b>	Fender
58	194314	Bracket Fender
68	17490508	Screw Thdrol 5/16-18 x 1/2
99	<b>197273</b>	Rod Bypass Asm.
122	192512	Screw WSHD Hex 10-32 x 5/8
130	191611	Screw 10 x 3/4 Single Lead-Hex
139	<b>171873</b>	Bolt Shoulder
148	164655	Bumper
150	<b>175351</b>	Duct Heat Hood
152	194329	Shield Browning/Debris
157	161840	Lens Bar
159	17000612	Screw Hexwsh Thdrol 3/8-16 x 3/4
161	193097X428	Console Fuel Window
162	142432	Screw Hex Wsh Hi-Lo 1/4 x 1/2
165	194330	Bracket Support Tank
175	193236	Crossmember
176	400776	Screw #10-24 x 5/8 Rnd Qudrx
177	195227	Bushing Steering
178	195651	Cargo Asm. Net
180	194260	Chassis
181	193102X428	Bushing Mtg. Fender Crgo.
182	192551	Dash Lower
183	74780520	Bolt Fin Hex 5/16-18UNC x 1-1/4
188	194316	Bracket Pickoff Hood
189	17000512	Screw 5/16-18 x 3/4
194	73900500	Nut Lock Hex Flange 5/16-18
195	<b>400303</b>	Outlet 12-Volt
196	193098X428	Console Asm. Deck Lift
198	197300X505	Indicator Deck Lift
199	196377	Plate Deck Lift
200	<b>73930500</b>	Nut Center Lock 5/16 - 18 UNC
205	169847X428	Skirt Hood RH
206	169848X428	Skirt Hood LH
219	195161	Stud Fastener
222	137729	Screw thd Roll 1/4-20 x 5/8
235	<b>406129</b>	Spacer Fender

**NOTE:** All component dimensions given in U.S. inches  
1 inch = 25.4 mm

**TRACTOR - - MODEL NUMBER PBGT26H54 (96042004001), PRODUCT NO. 960 42 00-40 DRIVE**



drive-tex\_30-HG 3000

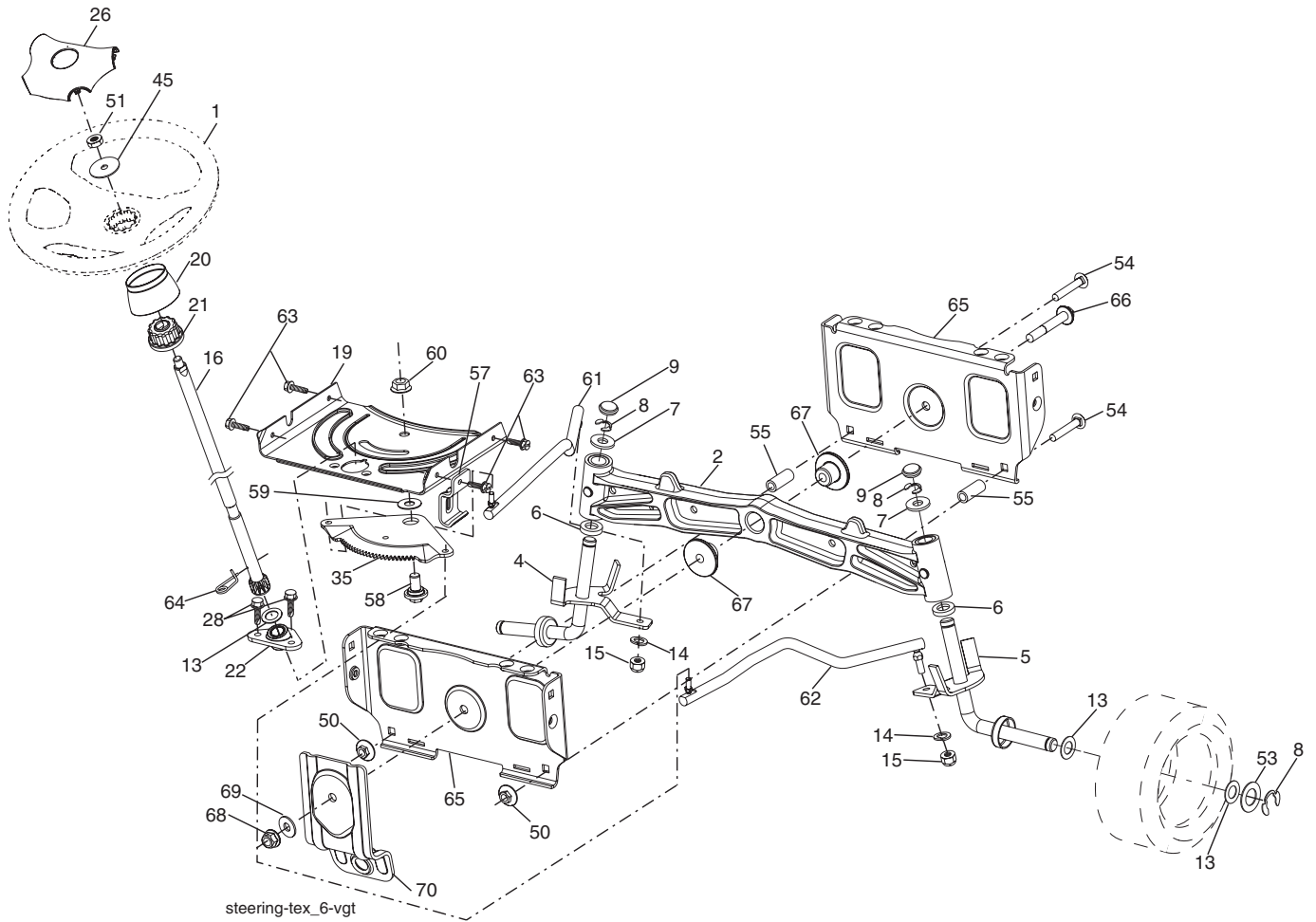


**TRACTOR - - MODEL NUMBER PBGT26H54 (96042004001), PRODUCT NO. 960 42 00-40 DRIVE**

KEY NO.	PART NO.	DESCRIPTION	KEY NO.	PART NO.	DESCRIPTION
1	-----	Transaxle, Hydro <b>347-3000</b> (Order Parts from Transaxle Manufacturer)	159	76020412	Pin Cotter 1/8 x 3/4
2	<b>7070E</b>	Key 1/4 x 2.5	160	169484	Retainer Clip
3	<b>7563R</b>	Washer Thrust Axle Harden	161	195403	Spring, Return, Clutch
7	<b>199837</b>	Hub Asm. Wheel	163	<b>197870</b>	Rod Control Pedal
9	140080	Bolt Hub Wheel	166	197290	Nut Push .625
15	19131316	Washer 13/32 x 13/16 x 16 Ga.	167	<b>405257</b>	Latch Brake Parking
17	197296	Spring, Brake	170	194322	Keeper Belt Centerspan
26	199679	Spring Return Cruise	171	72110616	Bolt
29	<b>197269</b>	Rod, Brake	184	195361X428	Handle Parking Brake
33	<b>12000053</b>	Ring E #5133-100	185	72110620	Bolt
35	197275	Rod, Brake, Park	186	194321	Spacer Retainer
42	<b>8883R</b>	Cover, Foot Pedal	187	19133210	Washer
49	72110614	Bolt	188	194323	Link Clutch Ground Drive
50	194327	Pulley Idler Flat	189	194317	Bellcrank Ground Drive
51	73900600	Lock Nut 3/8-16	190	194318	Keeper Bellcrank Ground Drive
52	194326	Idler V-Groove 910" Offset	195	<b>405113</b>	Retainer Rod Brake
56	<b>165813</b>	V-Belt, Drive	196	17000616	Screw 3/8-16 x 1
64	197865	Shaft Asm. Pedal Brake Control	197	199769	Bracket Clutch Anti-Rotation
69	<b>123800X</b>	Washer 1-1/32 x 1-5/8 x 16 GA	203	19111116	Washer 11/32 x 11/16 x 16 Ga.
73	<b>74490548</b>	Bolt 5/16 - 18 x 3.0. G5	206	197867	Bracket Mount Latch Cruise
74	142432	Screw 1/4 x 1/2	207	197868	Latch Control Cruise
92	74760520	Bolt Fin Hex 5/16-18 unc x 1.25	208	197869	Gear Sector Control Cruise
106	<b>142917</b>	Cap Asm. Vent	209	199466	Rod Control Cruise
107	<b>410481</b>	Vent Tube	210	197860	Rocker Asm. Pedal Control
114	<b>73800500</b>	Nut Lock 5/16 x 18 UNC	211	120183X	Bearing Nylon Blk .629
116	73900500	Nut Lock Hex Flange 5/16-18	213	195352X428	Knob Control Cruise
121	<b>175611</b>	Bracker Strap Torque	214	197302X428	Pedal Forward
122	<b>72010520</b>	Bolt 5/16 - 18 x 2.50	215	197301X428	Pedal Reverse
125	17000512	Screw 5/16-18 x 3/4	222	19212010	Washer 21/32 x 1-1/4 x 10 Ga.
142	<b>404483</b>	Strap Torque	224	193099X428	Console Toolbox
145	<b>163168</b>	Washer Axle Flange			
153	4497H	Retainer Spring 1"			
158	<b>194351</b>	Keeper Belt T/A			

**NOTE:** All component dimensions given in U.S. inches  
1 inch = 25.4 mm

**TRACTOR - - MODEL NUMBER PBGT26H54 (96042004001), PRODUCT NO. 960 42 00-40**  
**STEERING ASSEMBLY**

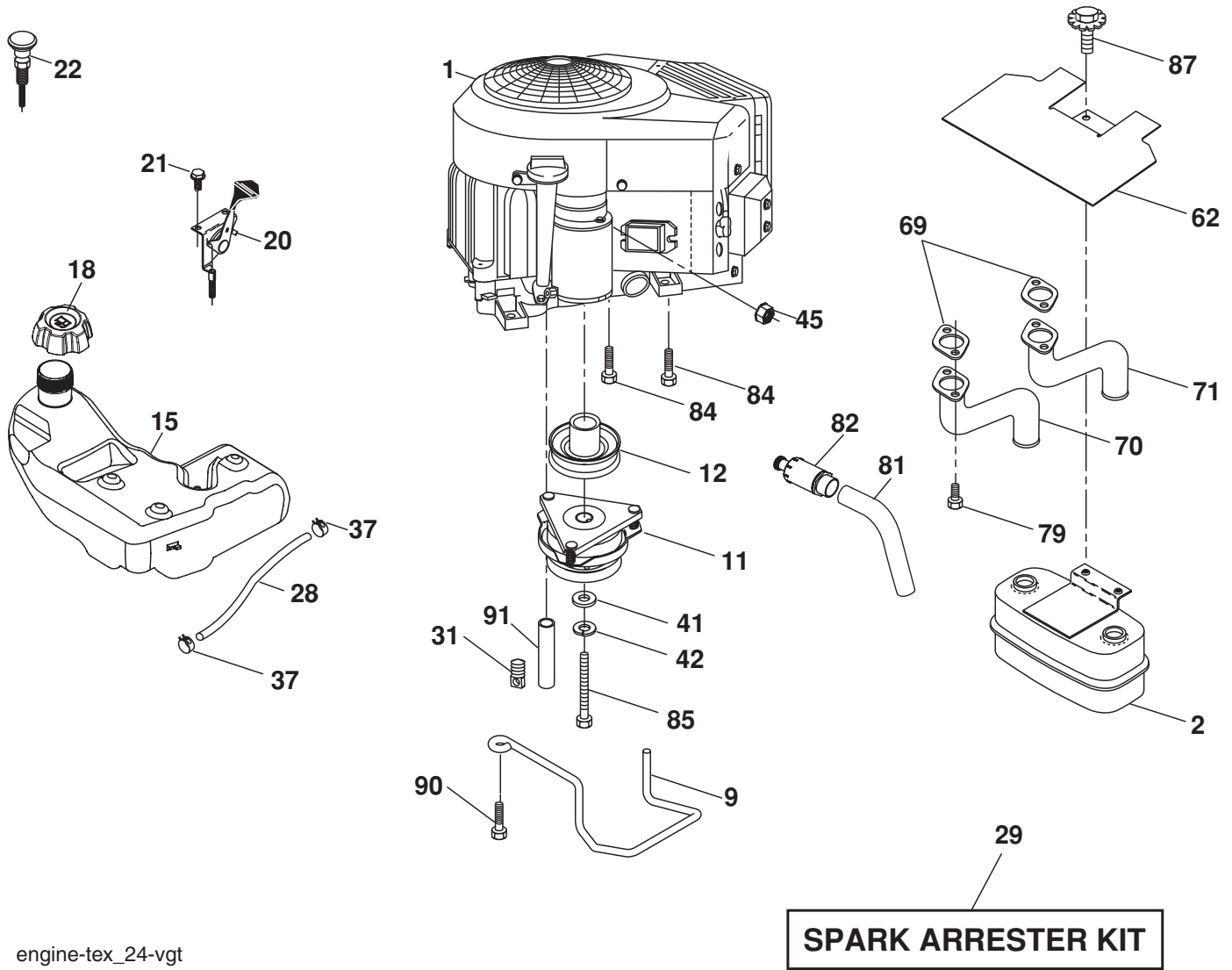


**TRACTOR - - MODEL NUMBER PBGT26H54 (96042004001), PRODUCT NO. 960 42 00-40  
STEERING ASSEMBLY**

<b>KEY NO.</b>	<b>PART NO.</b>	<b>DESCRIPTION</b>
1	186093X428	Wheel, Steering
2	195968	Axle Asm., Front
4	<b>403089</b>	Spindle Asm., LH
5	<b>403090</b>	Spindle Asm., RH
6	6266H	Bearing, Race Thrust Harden
7	121748X	Washer 25/32 x 1-5/8 x 16 Ga.
8	12000029	Ring, Klip #T5304-75
9	121232X	Cap, Spindle
13	121749X	Washer 25/32 x 1-1/4 x 16 Ga.
14	10040600	Washer, Lock Hvy Hlcl Spr 3/8
15	73540600	Nut, Crown Lock 3/8-24 unf
16	<b>408219</b>	Shaft Steering
19	194729	Plate Steering
20	195626X428	Boot, Steering
21	186737	Adapter, Wheel Steering
22	194845	Bushing, Strg. Blk
26	186095X428	Insert, Wheel Steering
28	17000612	Screw 3/8-16 x 3/4
35	194732	Gear, Sector Plate
45	19183812	Washer 9/16 x 2-3/8 x 12 Ga.
50	73900600	Nut Lock Flg. 3/8-16 unc
51	73940800	Nut Hex Jam Toplock 1/2-20 unf
53	188967	Washer Hardened .793 x 1.637 x .060
54	74760636	Bolt Hex Hs 3/8-16 unc x 2-1/4
55	197636	Spacer Brace Axle
57	197246	Bracket Upstop
58	194747	Bolt Shoulder Sector Pivot CFM
59	194748	Washer Thrust Sector Steering
60	73971000	Nut Flange Lock 5/8-11
61	194740	Draglink LH
62	194741	Draglink, RH
63	17000512	Screw 5/16-18 x 3/4
64	199849	Retainer Clip Spring Steering
65	194734	Brace Axle Front
66	71020748	Bolt Hex Fghd 7/16-14 x 3 Serr
67	194737	Bushing PM Front Axle
68	73900700	Nut Lock Flange 7/16-14 Gr. 5
69	199162	Washer 1.5 x .505 x .118
70	196197	Bracket Deck Susp. Front

**NOTE:** All component dimensions given in U.S. inches  
1 inch = 25.4 mm

TRACTOR - - MODEL NUMBER PBGT26H54 (96042004001), PRODUCT NO. 960 42 00-40  
ENGINE



engine-tex\_24-vgt

# TRACTOR - - MODEL NUMBER PBGT26H54 (96042004001), PRODUCT NO. 960 42 00-40 ENGINE

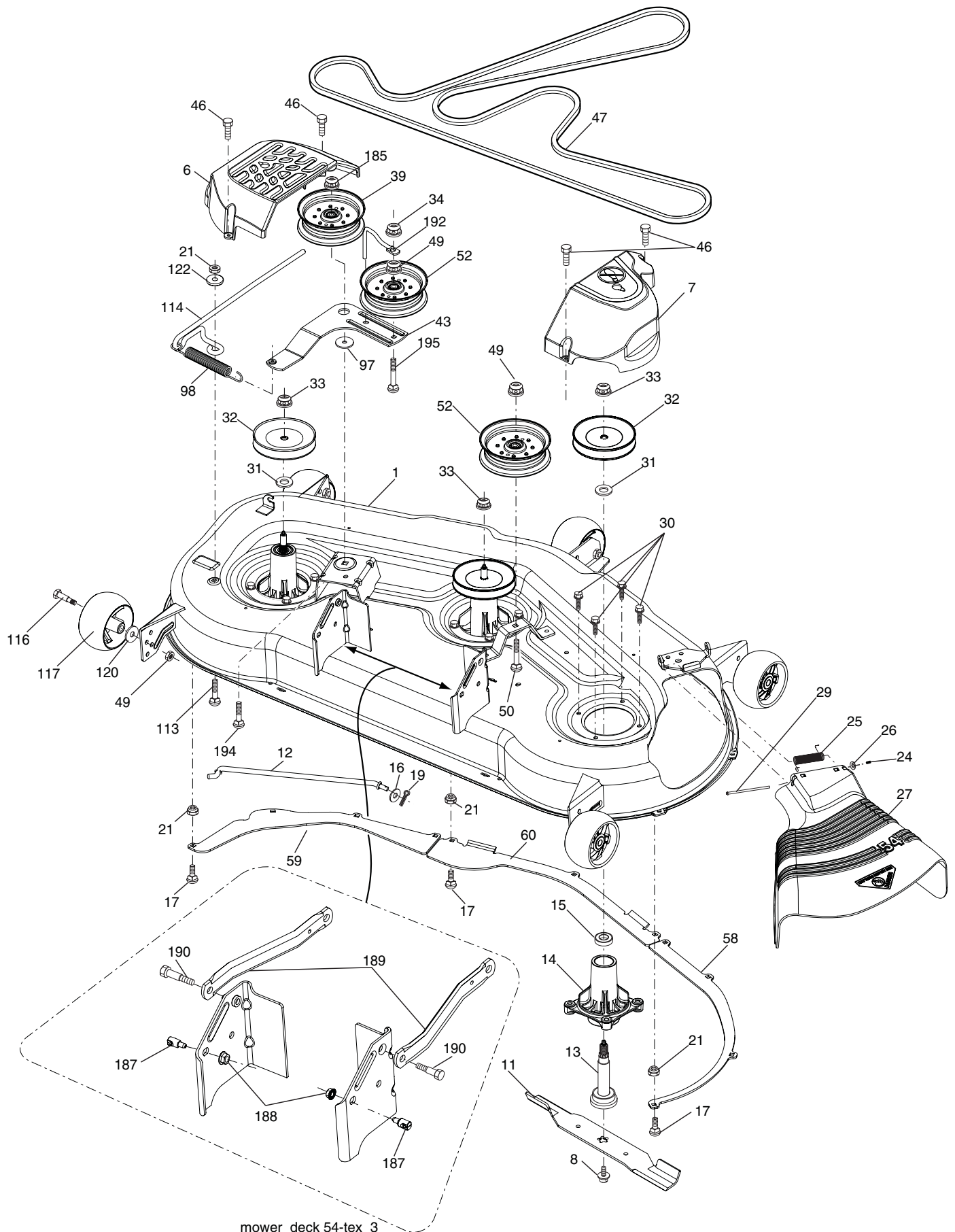
KEY NO.	PART NO.	DESCRIPTION
1	- - - - -	Engine B&S Model No. <b>445877-0760-E1</b>
2	149723	Muffler
9	<b>194320</b>	Keeper Asm. Belt Engine
11	179335	Clutch Electric
12	<b>194343</b>	Pulley Engine
15	193499	Tank Fuel 4.0
18	195951	Cap Asm
20	<b>175437X421</b>	Control Throttle
21	191611	Screw 10 x 3/4 Single Lead-Hex
22	<b>187767X428</b>	Control Choke
28	401135	Fuel Line
29	137180	Spark Arrester Kit
31	145006	Clip Push-In Hinged
37	123487X	Clamp Hose
41	126197X	Washer 1-1/2 OD x 15/32 ID x .250
42	10040700	Washer Lock 7/16
45	73510400	Nut Keps Hex 1/4-20 unc
62	146629	Shield Heat Muffler
69	165391	Gasket
70	159955	Tube Exhaust LH
71	160589	Tube Exhaust RH
79	183906	Screw Socket Head
81	148456	Tube Drain Oil Easy
82	181654	Plug Drain Oil
84	<b>17060620</b>	Screw 3/8-16 x 1-1/4
85	179953	Bolt Hex 7/16-20 x 3.75 Gr. 5
87	198239	Bolt 5/16-18 unc x 1 w/Sems
90	17000616	Screw 3/8-16 x 1
91	<b>187495</b>	Bushing

**NOTE:** All component dimensions given in U.S. inches  
1 inch = 25.4 mm

## Engine Power Rating Information

The gross power rating for individual gas engine models is labeled in accordance with SAE (Society of Automotive Engineers) code J11940 (Small Engine Power & Torque Rating Procedure), and rating performance has been obtained and corrected in accordance with SAE J1995 (Revision 2002-5). Actual gross engine power will be lower and is affected by, among other things, ambient operating conditions and engine-to-engine variability. Given both the wide array of products on which engines are placed and the variety of environmental issues applicable to operating the equipment, the gas engine will not develop the rated gross power when used in a given piece of power equipment (actual "on-site" or net horsepower). This difference is due to a variety of factors including, but not limited to, accessories (air cleaner, exhaust, charging, cooling, carburetor, fuel pump, etc.), application limitations, ambient operating conditions (temperature, humidity, altitude), and engine-to-engine variability. Due to manufacturing and capacity limitations, Briggs & Stratton may substitute an engine of higher rated power for this Series engine.

TRACTOR - - MODEL NUMBER PBGT26H54 (96042004001), PRODUCT NO. 960 42 00-40  
MOWER DECK



mower\_deck 54-tex\_3

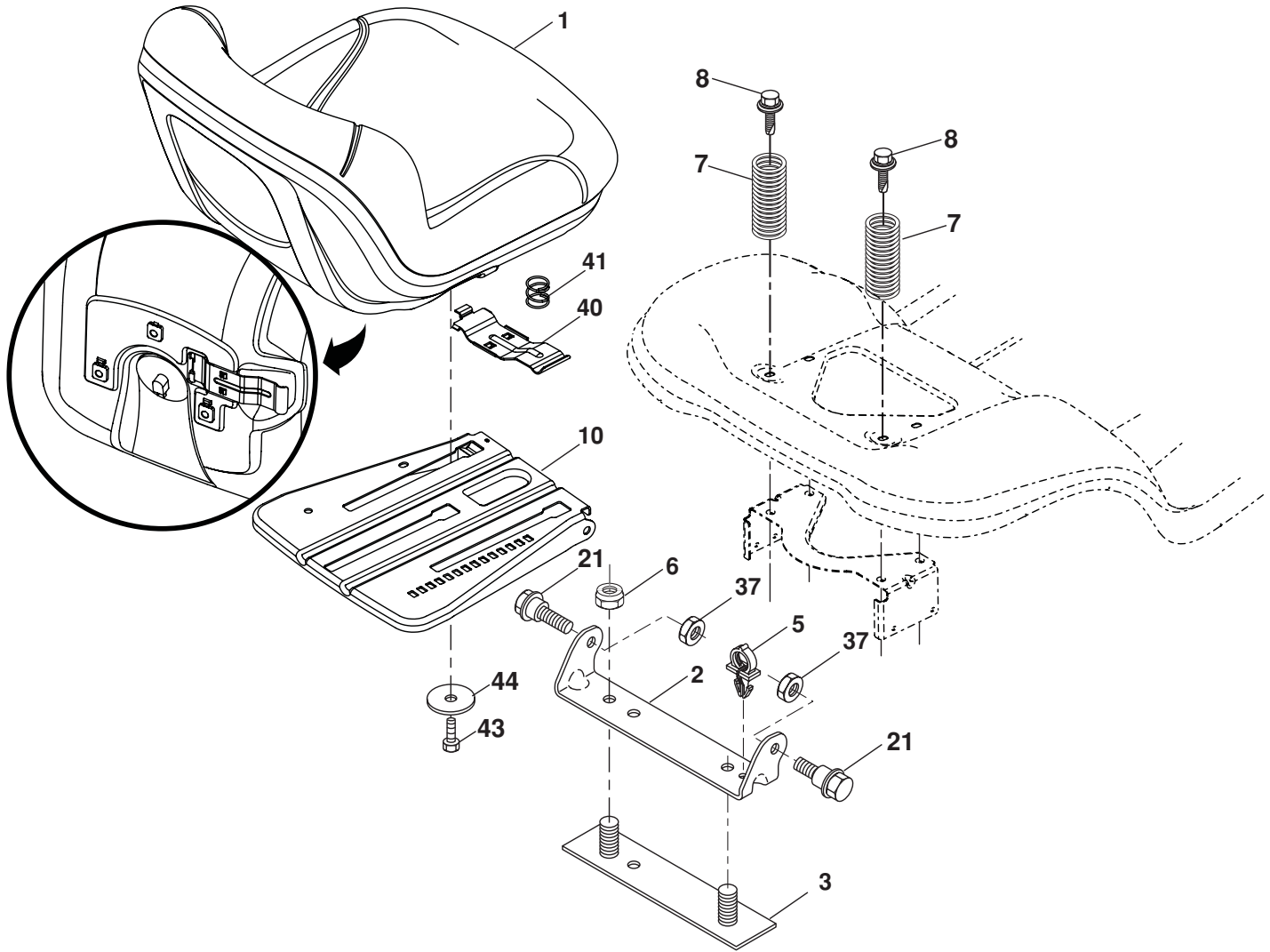
**TRACTOR - - MODEL NUMBER PBGT26H54 (96042004001), PRODUCT NO. 960 42 00-40  
MOWER DECK**

KEY NO.	PART NO.	DESCRIPTION	KEY NO.	PART NO.	DESCRIPTION
1	195632X421	Deck Weldment Mower	50	72110616	Bolt Rdhd Sqnk 3/8-16 unc x 2
6	196066	Cover Mandrel LH	52	196106	Pulley Idler Clutching
7	197181	Cover Mandrel RH	58	187342	Baffle Right
8	174365	Bolt 7/16 Asm. Blade	59	187344	Baffle Left
--	187255	Blade Mulching	60	187607	Baffle Center
11	<b>187254</b>	Blade HD/HP	97	178515	Washer Hardened
12	400337	Rod Anti-Sway	98	196105	Spring Drive
13	187291	Shaft Asm. w/Lower Bearing	113	72110508	Bolt Rdhd Sqnk 5/16-18 x 3/4
14	187281	Housing, Mandrel	114	187556	Rod Tension Relief
15	110485X	Bearing, Ball, Mandrel	116	193406	Bolt, Shoulder
16	19131312	Washer 13/32 x 13/16 x 12 Ga.	117	174873	Gauge Wheel
18	<b>72140505</b>	Bolt 5/16-18 x 5/8	120	19132012	Washer 13/32 x 1-1/4 x 12 Ga.
19	194208	Pin Cotter 5/16 Bow Tie Lock	122	187557	Bushing Tension Relief
21	73680500	Nut, Crownlock 5/16-18 unc	184	<b>73900500</b>	Nut Lock Hex Flange 5/16-18
24	105304X	Cap Sleeve	185	73900700	Nut Lock Flange 7/16-14 Gr. 5
25	178102	Spring, Torsion	187	195161	Stud Fastener w/"D" Anti-Rotation
26	110452X	Nut, Push	189	195185	Arm Susp. Mower Rear
27	187257X428	Deflector Shield	190	196539	Bolt Shoulder
29	131491	Rod, Hinge	192	198468	Keeper Belt Idler
30	173984	Screw, Thdroll Washer Head	194	72140716	Bolt Carr Sqnk 3/8-16 x 2-1/4
31	187690	Washer, Spacer Mower Vented	196	<b>72140620</b>	Bolt 3/8-16x 2-1/2 G5
32	173436	Pulley, Mandrel	--	187254	High Lift
33	400234	Nut, Flg. Top Lock	--	187292	Mandrel Asm. Service (Includes Key Nos. 13-15 and 33)
34	73680600	Nut Crownlock 3/8-16 unc	--	197701	Replacement Mower, Complete
39	196104	Pulley, Idler, Stationary			
43	196065	Arm, Idler			
46	137729	Screw, Thdroll. 1/4-20 x 5/8			
47	196103	V-Belt, Mower			
49	73900600	Nut, Lock Flg. 3/8-16 unc			

**NOTE:** All component dimensions given in U.S. inches  
1 inch = 25.4 mm



**TRACTOR - - MODEL NUMBER PBGT26H54 (96042004001), PRODUCT NO. 960 42 00-40  
SEAT ASSEMBLY**



seat-tex\_7-vgt

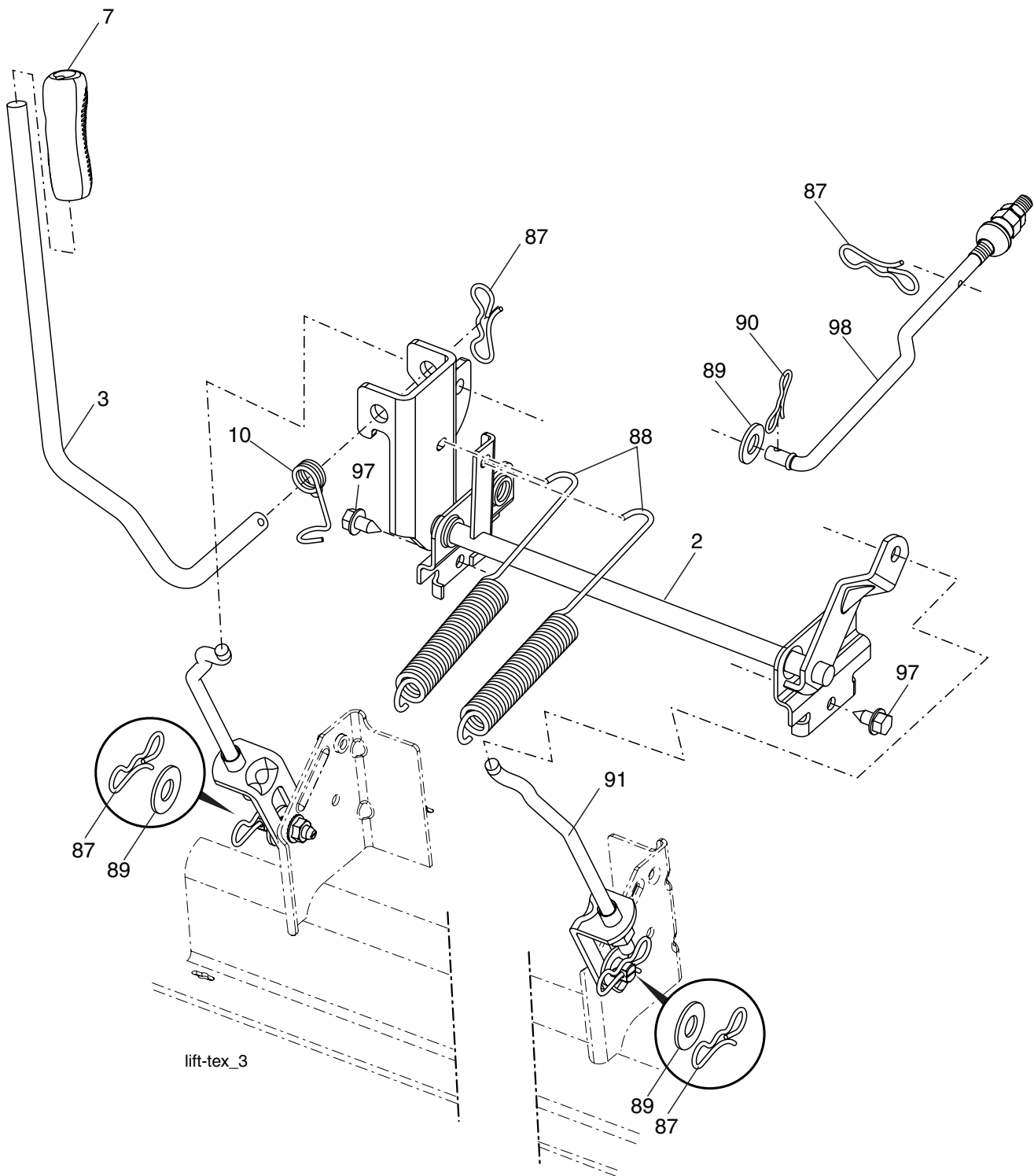
KEY NO.	PART NO.	DESCRIPTION
1	406623	Seat
2	180166	Bracket Pivot Fender
3	140675	Strap, Asm Fender
5	145006	Clip, Push In, Hinged
6	73800600	Nut, Lock W/Ins. 3/8-16 unc
7	124181X	Spring, Seat Cprsn
8	171877	Bolt 5/16-18 uncx 3/4 w/Sems
10	196977	Pan, Seat

KEY NO.	PART NO.	DESCRIPTION
21	171852	Bolt, Shoulder 5/16-18
37	73800500	Nut, Lock 5/16-18 unc
40	197661	Handle Slide Seat
41	198200	Spring Latch Seat
43	74760612	Bolt Fin Hex 3/8-16 unc x 3/4
44	19133812	Washer 13/32 x 2-3/8 x 12 Ga.

**NOTE:** All component dimensions given in U.S. inches  
1 inch = 25.4 mm



**TRACTOR - - MODEL NUMBER PBGT26H54 (96042004001), PRODUCT NO. 960 42 00-40  
MOWER LIFT**



KEY NO.	PART NO.	DESCRIPTION
2	195223	Shaft Asm., Lift
3	195230	Lever Asm., Lift Rh
7	<b>196492X421</b>	Grip, Lever
10	196314	Spring Torsion
87	194209	Pin Cotter 7/16 Bow Tie Lock
88	195304	Spring Lift Assist

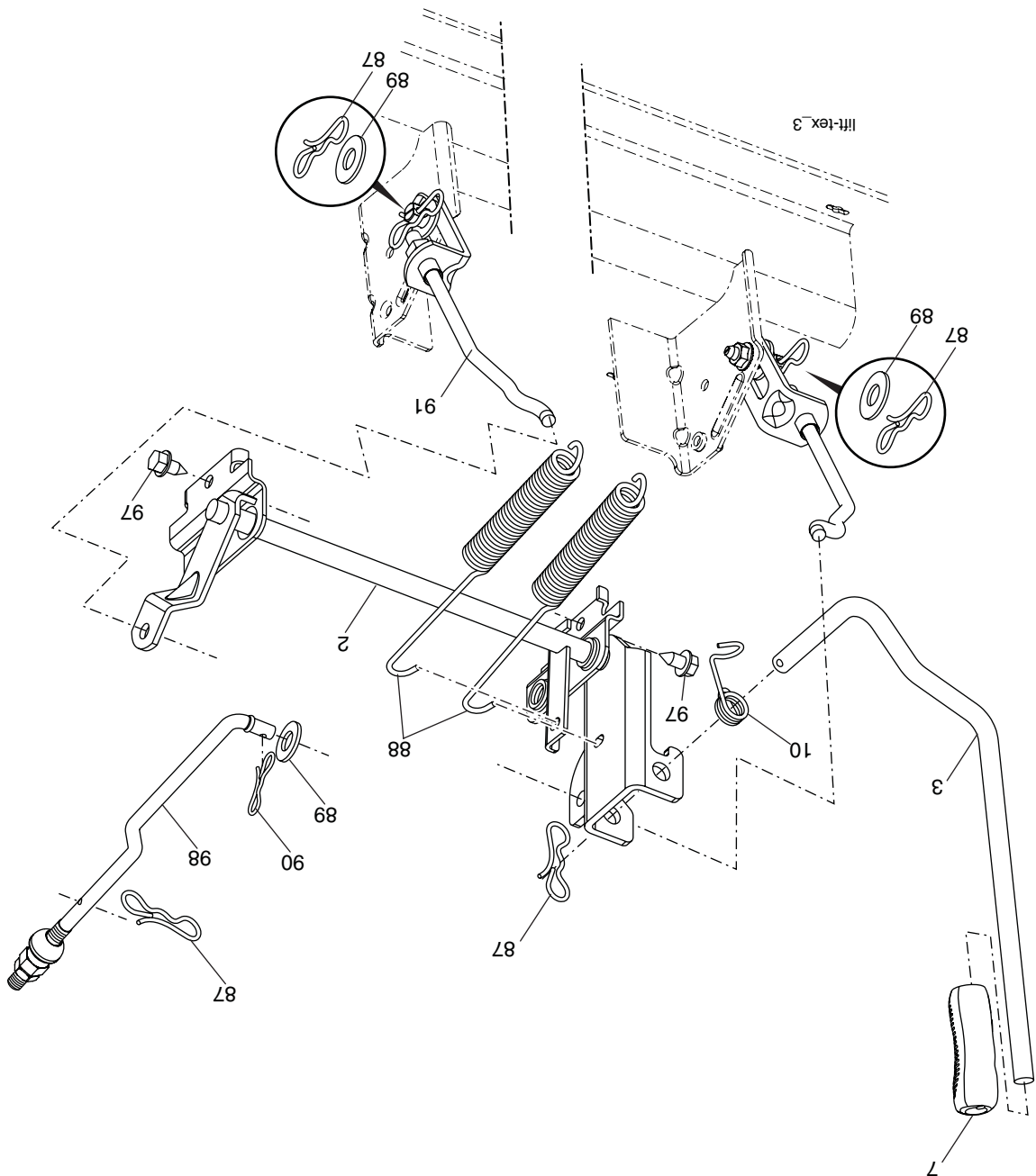
KEY NO.	PART NO.	DESCRIPTION
89	19191912	Washer Clear Zinc
90	194208	Pin Cotter 5/16 Bow Tie Lock
91	403407	Link Lift Susp Mower Rear
97	17060612	Screw 3/8-16 x .75 Smgml Tap/R.Z
98	195264	Link Lift Susp. Front Mower

**NOTE:** All component dimensions given in U.S. inches  
1 inch = 25.4 mm

**Poulan PRO**

Download from [Www.Somanuals.com](http://Www.Somanuals.com). All Manuals Search And Download.

# **Poulan PRO**



NO.	DE	PIECE
2	195223	Ensemble de l'arbre
3	195230	Ensemble de l'arbre de levage C.D.
7	196492X421	Poignée cannelée du levier
10	196314	Ressort de Torsion
87	194209	Goupille fendue 7/16
88	195304	Ressort de retenue
89	19191912	Rondelle

DESCRIPTION

Ensemble de l'arbre de levage C.D.  
 Ensemble de l'arbre de levage C.D.  
 Poignée cannelée du levier  
 Ressort de Torsion  
 Goupille fendue 7/16  
 Ressort de retenue  
 Rondelle

NO.	DE	PIECE
90	194208	Goupille fendue 5/16
91	403407	Raccord de levage
97	17060612	Vis 3/8-16 x .75
98	195740	Raccord de levage

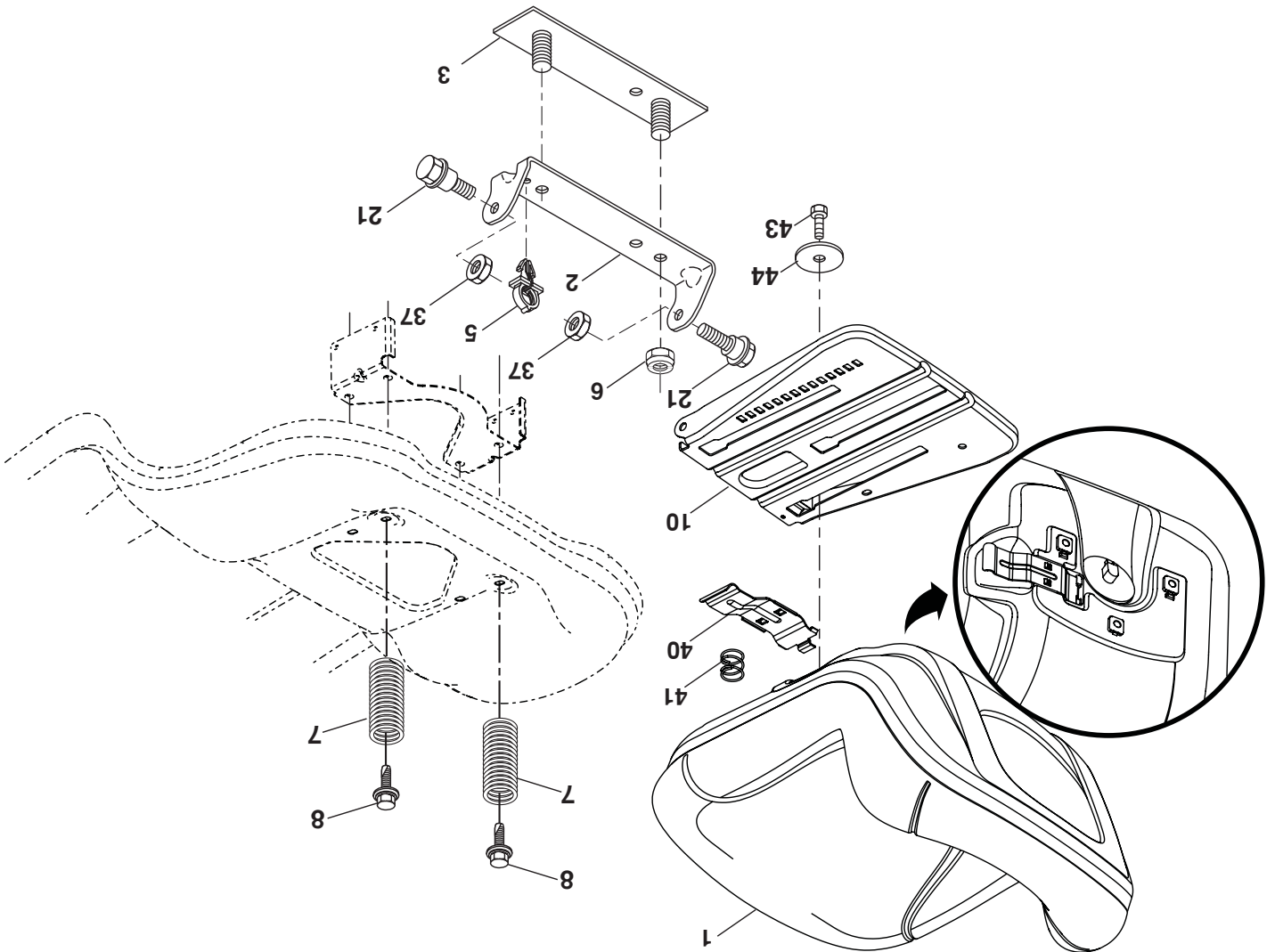
DESCRIPTION

Goupille fendue 5/16  
 Raccord de levage  
 Vis 3/8-16 x .75  
 Raccord de levage

REMARQUE: Toutes les dimensions de composant sont données en pouces E.-U. --1 pouce = 25,4 mm.

**TRACTEUR - NO. DE MODÈLE PBGT26H54 (96042004001), NO. DE PRODUIT 960 42 00-40**  
**ENSEMBLE DU SIÈGE**

seat-tex\_7-vgt



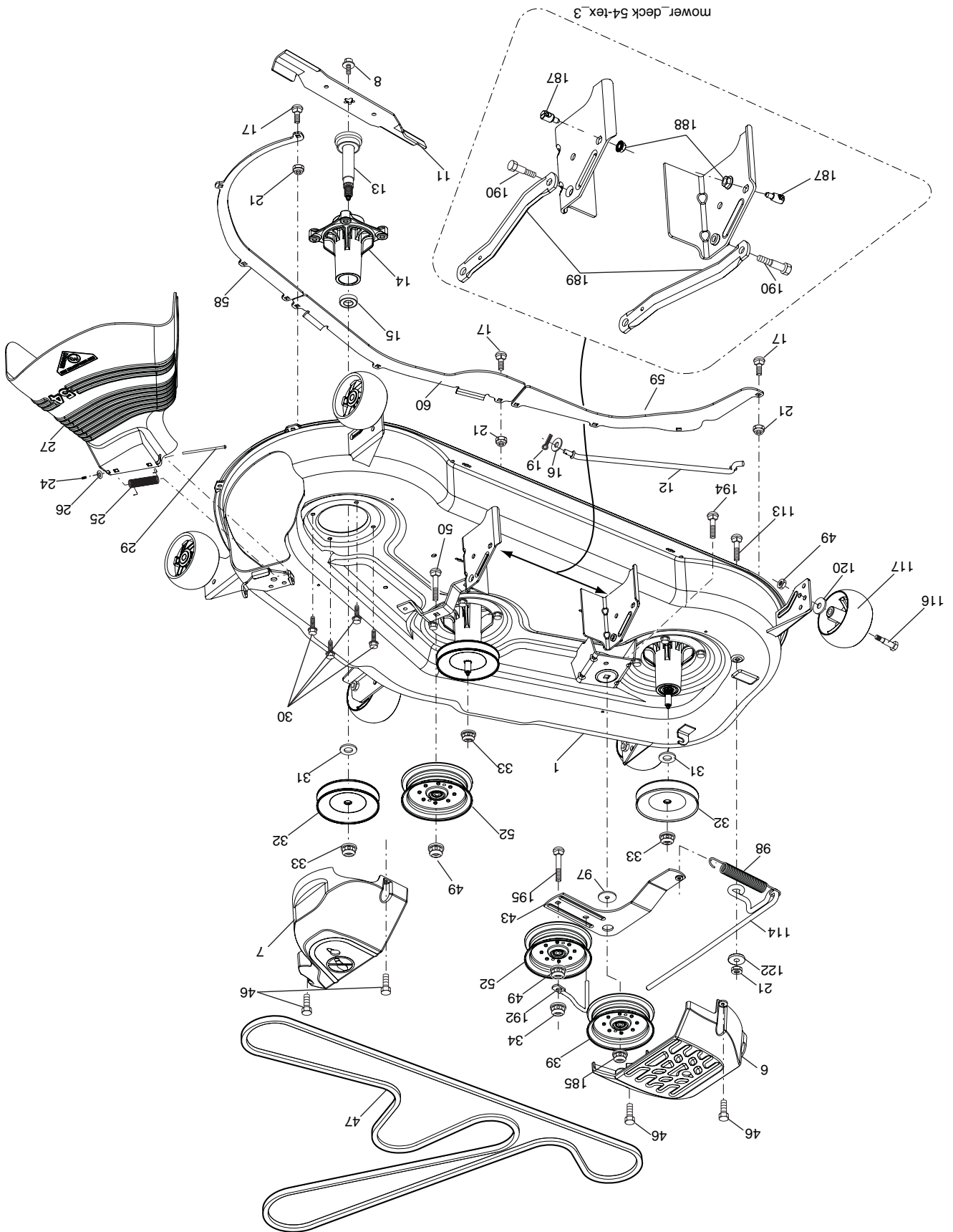
**REMARQUE:** Toutes les dimensions de composant sont données en pouces E.-U. --1 pouce = 25,4 mm

NO. DE PIÈCE	DESCRIPTION	NO. DE PIÈCE	DESCRIPTION
1	Siège	40623	Support de pivot
2	180166	37	Attache de l'ensemble de l'aile
3	140675	40	Collier pressé
5	145006	41	Ecroû frein H avec insert 3/8-16 unc
6	73800600	43	Ressort de compression du siège
7	124181X	44	Bouillon 5/16-18 uncx 3/4
8	171877	44	Cuvette du siège
10	196977		
		21	Bouillon à épaulement 5/16-18
		37	Ecroû frein 5/16-18 unc
		40	Guidon
		41	Ressort de compression
		43	Bouillon 3/8-16 x 3/4
		44	Rondelle 13/32 x 2-3/8 x 12 Ja.

# TRACTEUR - NO. DE MODELE PBGT26H54 (96042004001), NO. DE PRODUIT 960 42 00-40

NO.	DE	PIECE	DESCRIPTION	NO.	DE	PIECE	DESCRIPTION
1		195632X421	Ensemble du carter	50		72110616	Boulon 3/8-16 unc x 2
6		196066	Couvercle de mandrin C.G.	52		196106	Pouille du galet-tendeur
7		197181	Couvercle de mandrin C.D.	58		187342	Chicane C.D.
8		174365	Boulon 7/16	59		187344	Chicane C.G.
-		187255	Lame déchiqueteuse	60		187607	Chicane Centrale
-		187254	Lame HD/HP	97		178515	Rondelle
12		400337	Tige	98		196105	Ressort de retenue
13		182291	Ensemble de l'arbre	113		72110508	Boulon 5/16-18 x 3/4
14		182281	Carter du mandrin	114		187556	Tige
15		110485X	Roulement à billes	116		193406	Boulon
16		19131312	Rondelle 13/32 x 13/16 x 12Ga.	117		1874873	Support des roues
18		<b>72140505</b>	Boulon	120		19132012	Rondelle 13/32 x 1-1/4 x 12 Ja.
19		194208	Goupille Serrure De Bowtie De la Cla-	122		187557	Douille
21		73680500	Écrou 5/16-18 unc	184		<b>73900500</b>	Écrou frein H
24		105304X	Chapeau de manchon	185		73900700	Écrou frein 7/16-14 Cat. 5
25		178102	Ressort de torsion	187		195161	Tendon
26		110452X	Écrou	189		195185	Bras de suspension arrière
27		187257X428	Déflecteur de décharge	190		196539	Boulon
29		131491	Tige de charnière	192		198468	Guide-courroie
30		173984	Vis H	194		72140716	Boulon 3/8-16 x 2-1/4
31		187690	Rondelle	196		<b>72140620</b>	Boulon
32		173436	Pouille de mandrin	--		187254	Lever
33		400234	Écrou	--		187292	Ensemble de mandrin (Y compris les nos. de réf. 13-15 et 33)
34		73680600	Écrou frein 3/8-16 unc	--		197701	Ensemble du carter de tondeuse com-plet
39		196104	Pouille du galet-tendeur C.G.				
43		196065	Bras du galet-tendeur				
46		137729	Vis 1/4-20 x 5/8				
47		196103	Courroie d'entraînement				
49		73900600	Écrou frein 3/8-16 unc				

**REMARQUE:** Toutes les dimensions de composant sont données en pouces E.-U. --1 pouce = 25,4 mm.



NO.	DE	REF.	DESCRIPTION
1	----		Moteur Briggs-No. de modèle 445877-0760-E1 (Commandez les pièces par suite du fabricant du moteur)
2		149723	Silencieux
9		194320	Ensemble de la guide courroie du moteur
11		179335	Embrayage électrique
12		194343	Pouille
15		193499	Réservoir d'essence
18		159951	Chapeau
20		175437X421	Commande des gaz
21		191611	Vis H 10 x 3/4
22		187767X428	Commande du starter
28		401135	Conduite d'essence
29		137180	Jeu de pare - étincelles
31		145006	Collier presse
37		123487X	Bride de serrage de tuyau
41		126197X	Rondelle 1-1/2 OD x 15/32 ID x .250
42		10040700	Rondelle frein 7/16
45		73510400	Ecroû H 1/4-20 unc
62		146629	Défecteur de débris
69		165391	Garniture de silencieux
70		176067	Tube C.G.
71		160589	Tube C.D.
79		183906	Vis 5/16-18 x 1
81		148456	Tube de vidange d'huile
82		181654	Bouchon
84		17060620	Vis 3/8-16 x 1/4
85		179953	Boulon 7/16-20 x 20 x 3.75 Gr.5
87		198239	Boulon 5/16-18 unc x 1 avec sems
90		17000616	Vis 3/8-16 x 1
91		187495	Bague

**REMARQUE:** Toutes les dimensions de composant sont données en pouces E.-U. --1 pouce = 25,4 mm

### L'Information de Classement de Pouvoir de Moteur

Le pouvoir brut évaluant pour les modèles de moteur de gaz individuels est conformément étiqueté à SAE (la Société d'Ingénieurs Automoteurs) le code J11940 (le Petit Pouvoir de Moteur & le Moment de torsion Evaluant la Procédure), et l'exécution de classement a été obtenue et a été corrigée conformément à SAE J1995 (la Révision 2002-5). Le véritable pouvoir de moteur brut sera plus bas et est affecté par, entre autres choses, les conditions d'opération ambiantes et le moteur-à-la variabilité de moteur. Donné les deux le tab-leau large de produits sur lesquels moteurs est placé et la variété de problèmes écologiques applicables à l'opération de l'équipement, le moteur de gaz ne développera pas le pouvoir de grosse évalué quand utilisé dans un morceau donné d'équipement de pouvoir (la puissance véritable, « sur place » ou nette). Cette différence est en raison d'une assortment de facteurs inclut, mais pas limité à, les accessoires (le nettoyeur d'air, l'échappement, charger, le refroidissement, le carburateur, la pompe de carburant, etc.), les limitations d'application, les conditions d'opération ambiantes (la température, l'humidité, l'altitude), et le moteur-à-la variabilité de moteur. En raison des limitations de fabrication et capacité, Briggs & Stratton peut substituer un moteur de plus haut pouvoir évalué pour ce moteur de Feuilleton.





**TRACTEUR - NO. DE MODELE PBGT26H54 (96042004001), NO. DE PRODUIT 960 42 00-40**  
**ENSEMBLE DE LA DIRECTION**

NO.	DE	NO	DESCRIPTION
1		186093X428	Volant de direction
2		195968	Essieu
4		<b>403089</b>	Ensemble de la broche C.G.
5		<b>403090</b>	Ensemble de la broche C.D.
6		6266H	Palier de butée durci
7		121748X	Rondelle 25/32 x 1-5/8 x 16 Ja.
8		12000029	Rondelle clip n°15304-75
9		121232X	Chapeau de broche
13		121749X	Rondelle 25/32 x 1-1/4 x 16 Ja.
14		10040600	Rondelle frein 3/8
15		73540600	Ecroû frein 3/8-24 unt
16		<b>408219</b>	Arbre de direction
19		194729	Arbre de plaque
20		195626X428	Initialisation de direction
21		186737	Adaptateur du volant de direction
22		194845	Douille de direction
26		186095X428	Insert de chapeau du volant de direction
28		17000612	Vis 3/8-16 x 3/4
35		194732	Secteur denté
45		19183812	Rondelle 9/16 x 2-3/8 x 12 Ja.
50		73900600	Ecroû 3/8-16UNC
51		73940800	Contre-écrou 1/2-20 unt
53		188967	Rondelle .793 x 1.637 x .060
54		74760636	Bouillon 3/8-16UNC x 2-1/4
55		197636	Entretoise D'Axé De Frein
57		197246	Support
58		194747	Bouillon à épaulement
59		194748	Rondelle
60		73971000	Ecroû frein à collet 5/8-11
61		194740	Barre de direction C.G.
62		194741	Barre de direction C.D.
63		17000512	Vis 5/16-18 x 3/4
64		199849	Collier de retenue
66		71020748	Bouillon H 7/16-14 x 3
67		194737	Douille
68		73900700	Ecroû frein à collet 7/16-14 Cat. 5
69		199162	Rondelle 1.5 x .505 x .118
70		196197	Support

**REMARQUE:** Toutes les dimensions de composant sont données en pouces E.-U. --1 pouce = 25,4 mm

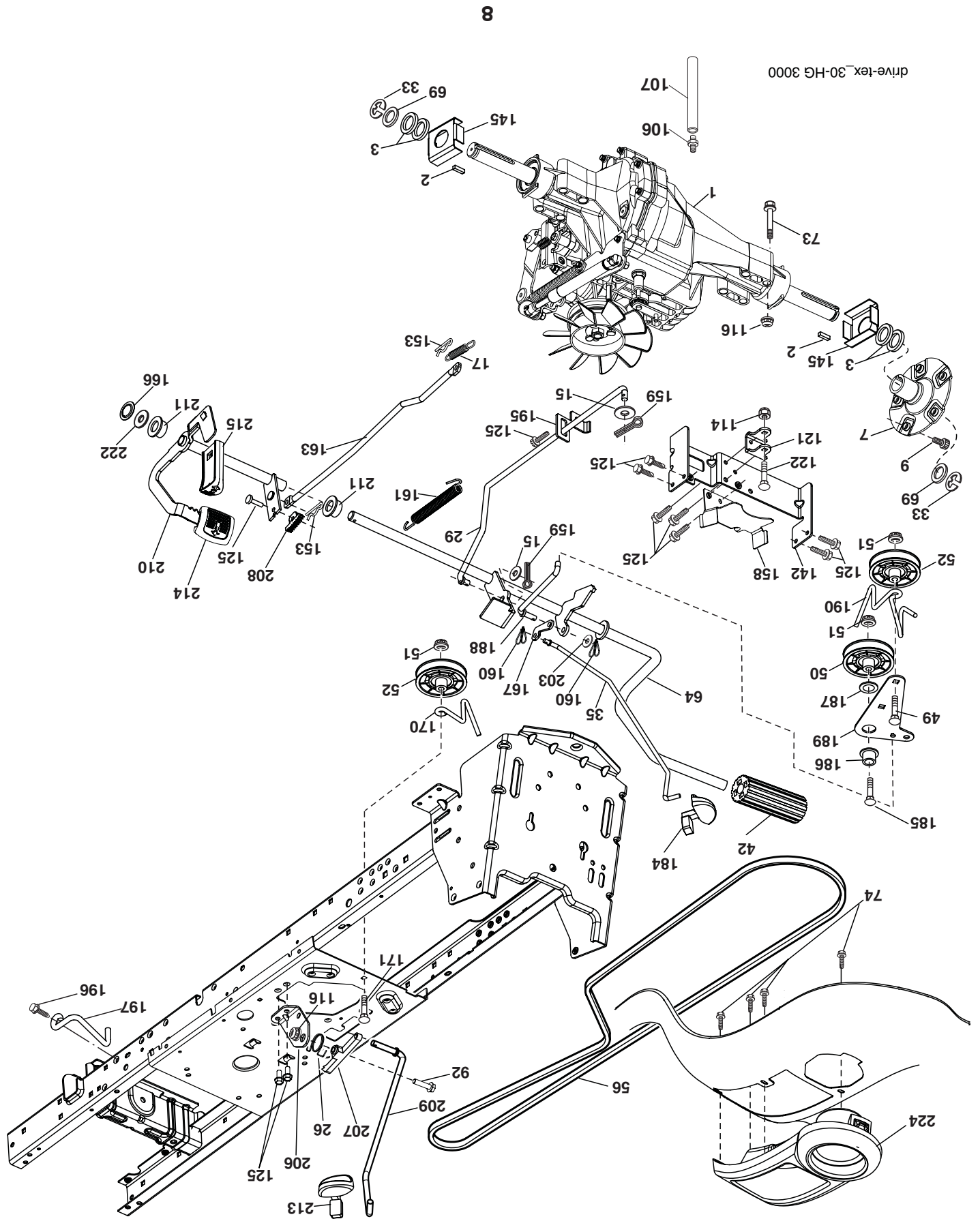


# TRACTEUR - NO. DE MODELE PBGT26H54 (96042004001), NO. DE PRODUIT 960 42 00-40

## ENTRAÎNEMENT

NO.	DE	RÉF.	DESCRIPTION	NO.	DE	RÉF.	DESCRIPTION
1	-----		Transmission Hydro Gear <b>347-3000</b>	158	<b>194351</b>	158	Ceinture de gardien
2	<b>7070E</b>		Ciè 1-1/4 x 2,5 fabriquant du la transmission)	160	169484	159	Goupille fendue 1/8 x 3/4
3	<b>7563R</b>		Rondelle	163	<b>197870</b>	166	Tige
7	<b>199837</b>		Assemblée De Moyeu De Roue	166	197290	167	Rondelle Frein .625
9	140080		Boulon De Moyeu De Roue	167	<b>405257</b>	170	Loquet
15	19131316		Rondelle 13/32 x 13/16 x 16 Ja.	171	194322	171	Guide-courroie
17	197296		Ressort	171	72110616	184	Boulon
26	199679		Ressort de rappel	184	195361X428	185	Guidon
29	<b>197269</b>		Tige du frein	185	72110620	186	Boulon 3/8-16 x 2-1/2
33	<b>1200053</b>		Bague en E	186	194321	187	Ressort de retenue
35	197275		Tige du frein de stationnement	187	19133210	188	Rondelle
42	<b>8883R</b>		Couverture de la pédale	188	194323	189	Raccord d'embrayage
49	72110614		Boulon	189	194317	190	Levier coudé
50	194327		Pouille du galet-tendeur	190	194318	195	Guide
51	73900600		Ecrou frein 3/8-16	195	<b>405113</b>	196	Le Frein de retenue de Tringle
52	194326		Galet-tendeur	196	17000616	197	Vis 3/8-16 x 1
56	<b>165813</b>		Courroie trapézoidale	197	199769	203	Support
64	197865		Ensemble de l'arbre	19111116	19111116	206	Rondelle 11/32 x 11/16 x 16 Ja.
69	<b>123800X</b>		Rondelle	206	197867	207	Support
73	<b>7490548</b>		Boulon	207	197868	208	Loquet
74	142432		Vis 1/4 x 1/2	208	197869	209	Secteur denté
92	74760520		Boulon H 5/16-18 unc x 1,25	209	199466	210	Tige
106	<b>142917</b>		Plafonner le conduit	210	197860	211	Culbuteur
107	<b>410481</b>		Donner vent le tube	211	120183X	213	Palier de nylon
114	<b>73800500</b>		Ecrou	213	195352X428	214	Boulon
116	73900500		Ecrou frein H 5/16-18	214	197302X428	215	Pédale en avant
121	<b>175611</b>		Le crochet Sangle le moment de torsion	215	193301X428	222	Pédale contraire
122	<b>72010520</b>		Boulon	222	19212010	224	Rondell 21/32 x 1-1/4 x 10 Ja.
125	17000512		Vis 5/16-18 x 3/4	224	193099X428		Console de boîte à outils
142	<b>40483</b>		Sangler le moment de torsion				
145	<b>163168</b>		Rondelle				
153	4497H		Ressort D'Arrêtoir				

**REMARQUE:** Toutes les dimensions de composant sont données en pouces E.-U. -- 1 pouce = 25,4 mm



# TRACTEUR - NO. DE MODELE PBGT26H54 (96042004001), NO. DE PRODUIT 960 42 00-40

## CHASSIS/ENCEINTES

NO.	DE	REF.	DESCRIPTION
NO.	DE	PIECE	
2		194261	Barre extensible
5		195102X428	Tableau de bord
14		175260X420	Capot
17		17060612	Vis 2/8-16 x .75
18		175289X428	Calandre
36		17060512	Vis 5/16 - 18 x 3/4
37		400009X428	Allie
58		194314	Support
68		17490508	Vis 5/16-18 x 1/2
99		197273	Tige
122		192512	Vis 10-13 x 5/8
130		191611	Vis H 10 x 3/4
139		171873	Boulon 5/16 - 18
148		164655	Butoir
150		175351	Canalisation
152		194329	Deflecteur
157		161840	Barre D'Objectif
159		17000612	Vis
161		193097X428	Fenetre de combustible
162		142432	Vis H 1/4 x 1/2
165		194330	Soutien du support
175		193236	Piece d'entretoisement
176		400776	Vis 10-24 x 5/8
177		195227	Douille
178		195651	Couverture
180		194260	Chassis
181		193102X428	Douille
182		192551	Tableau de bord
183		74780520	Boulon
188		194316	Support, Capot
189		17000512	Vis 5/16-18 x 3/4
194		73900500	Ecrou train H 5/16-18
195		400303	Sortie
196		193098X428	Panneau du tableau de bord
198		197300X505	Indicateur D'Ascenseur De Plate-forme
199		196377	Plaque de renforcement
200		73930500	Ecrou 5/16 - 18 UNC
205		169847X428	Jupe C.D.
206		169848X428	Jupe C.G.
219		195161	Attache De Goujon
222		137729	Vis 1/4-20 x 5/8
235		406129	Pare-chocs plus spatial

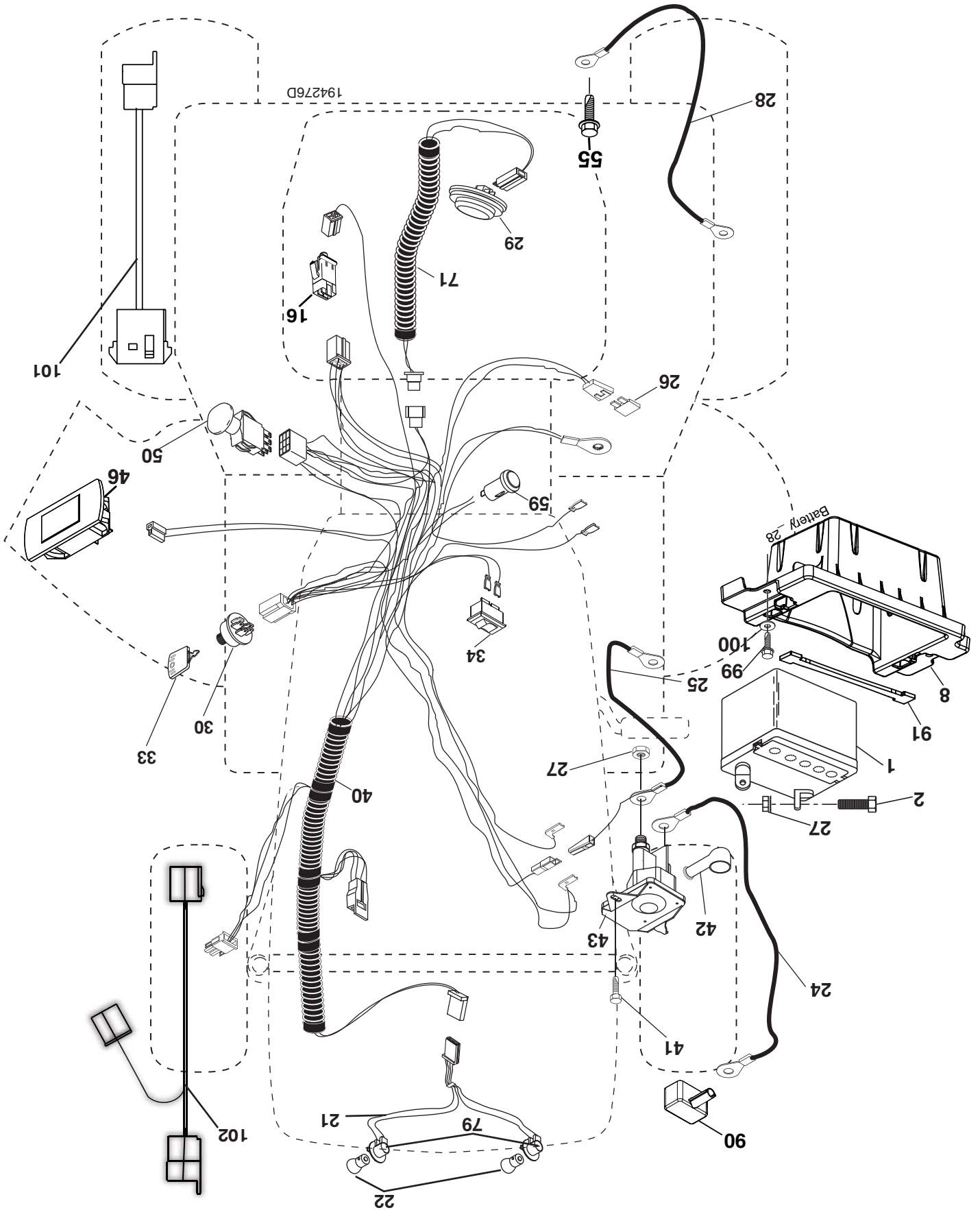
REMARQUE: Toutes les dimensions de composant sont donnees en pouces E.-U. --1 pouce = 25,4 mm

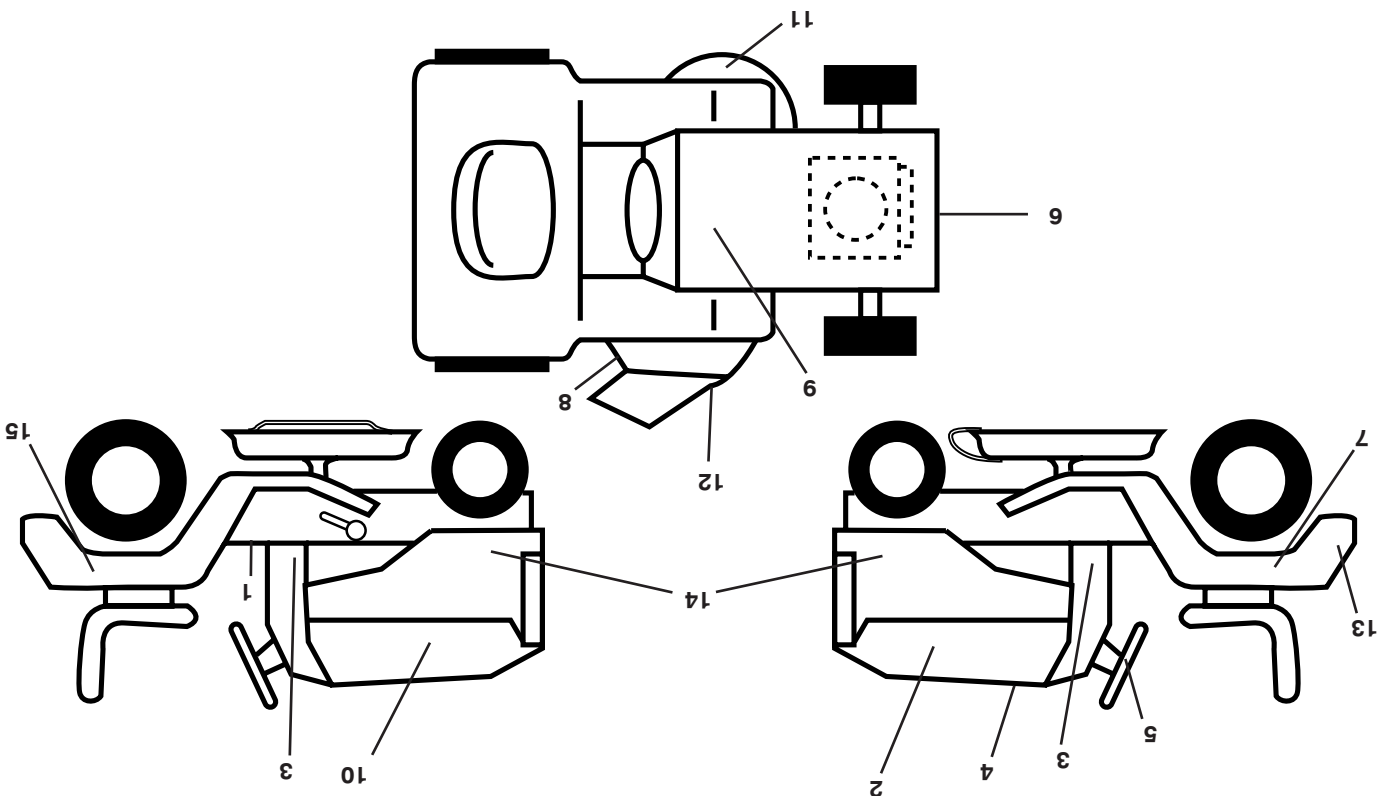


NO.	DE	RÉF.	PIECE	DESCRIPTION
1		144927	Batterie	Batterie
2		74760412	Boulon H 1/4-20 unc x 3/4	Boulon H 1/4-20 unc x 3/4
8		186491	Bac de batterie	Bac de batterie
16		176138	Interrupteur de verrouillage pressé	Interrupteur de verrouillage pressé
21		175688	Harnais des prises de courant des phares W/14152J	Harnais des prises de courant des phares W/14152J
22		4152	Ampoule	Ampoule
24		400253	Câble de batterie	Câble de batterie
25		198893	Câble de batterie de 6 ja avec un fil de 16 po. - rouge	Câble de batterie de 6 ja avec un fil de 16 po. - rouge
26		175158	Fusible	Fusible
27		73510400	Ecrou H 1/4-20 unc	Ecrou H 1/4-20 unc
28		145491	Câble de masse de 6 ja. de 21" - noir	Câble de masse de 6 ja. de 21" - noir
29		401545	Interrupteur	Interrupteur
30		193350	Contacteur d'allumage	Contacteur d'allumage
33		140401	Clé de contact	Clé de contact
34		110712X	L'Interrupteur des phares	L'Interrupteur des phares
40		401104	Support	Support
41		17720408	Vis 1/4-20 x 1/2	Vis 1/4-20 x 1/2
42		131563	Couverture de borne	Couverture de borne
43		192507	Solénoïde	Solénoïde
46		401763	Compteur horaire	Compteur horaire
50		174653	Interrupteur	Interrupteur
55		17490512	Vis 5/16-18 x 3/4	Vis 5/16-18 x 3/4
59		400303	Sortie 12-voit	Sortie 12-voit
71		194276	Harnais des câbles d'allumage	Harnais des câbles d'allumage
79		175242	Assemblée De Bulbholder	Assemblée De Bulbholder
90		400724	Couverture	Couverture
91		190270	Attache	Attache
99		17670412	Vis H 1/4-20 x 3/4	Vis H 1/4-20 x 3/4
100		19091416	Rondelle 9/32 x 7/8 x 16 ja.	Rondelle 9/32 x 7/8 x 16 ja.
101		198317	Pigtail	Pigtail
102		407962	Pigtail 12V	Pigtail 12V

**REMARQUE:** Toutes les dimensions de composant sont données en pouces E.-U. -- 1 pouce = 25,4 mm



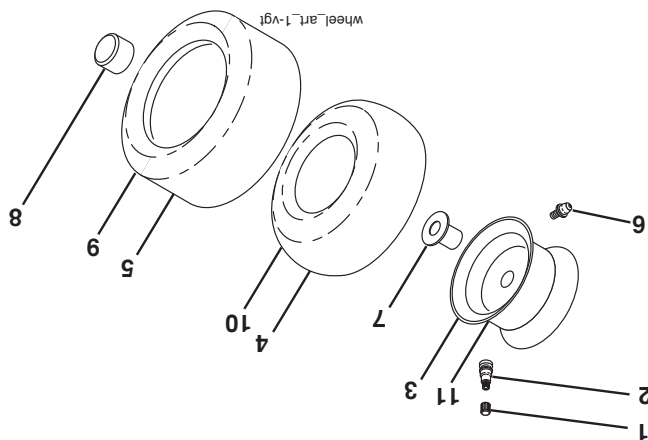




NO.	DÉ	REF.	DESCRIPTION
1	402104		Décalcomanie d'opération
2	402355		Décalcomanie du capot avec
3	402525		Décalcomanie inférieur tableau de bord
4	412364		Décalcomanie de pièces de rechange
5	172743		Décalcomanie volant de direction
6	408843		Décalcomanie du moteur
7	408948		Décalcomanie de l'aile C.D.
8	198785		Décalcomanie de tondeuse
9	145005		Décalcomanie de danger/poison de la
			batterie

NO.	DÉ	REF.	DESCRIPTION
10	402357		Décalcomanie du capot avec
11	178502		Décalcomanie d'attention
12	170563		Décalcomanie de tondeuse
13	172740		Décalcomanie de l'aile
14	408796		Décalcomanie du panneau latéral
15	408949		Décalcomanie de l'aile C.G.
			Décalcomanie dérivation
			Coussin d' repose-pied C.G.
			Coussin d' repose-pied C.D.
			Manuel de l'opérateur (anglais/français)
			Manuel de la réparation

WHEELS AND TIRES



NO.	DÉ	REF.	DESCRIPTION
1	59192		Capuchon de la valve du pneu
2	65139		Tubulure de la valve
3	106228X421		Ensemble de la jante antérieure
4	59904		Chambre à air antérieure (non fournie)
5	106230X		Pneu antérieur
6	278H		Graisseur (roue antérieure seulement)
7	9040H		Palier à bride (roue antérieure seule-ment)
8	104757X421		Chapeau de l'essieu
9	10558X		Pneu arrière
10	7152J		Chambre à air arrière (non fournie)
11	124074X421		Ensemble de la jante arrière
			Joint d'étanchéité de pneu (tube de .30L [10 oz. Tube])

3

REMARQUE: Toutes les dimensions de composant sont données en pouces E.-U. --1 pouce = 25,4 mm



**NUMÉRO DE MODÈLE: 96042004001**  
**NUMÉRO DE CATALOGUE DE CLIENT: PBGT26H54**  
**NO. DE PRODUIT 960 42 00-40**

---

## **LISTE DES PIÈCES ILLUSTRÉE**

## Free Manuals Download Website

<http://myh66.com>

<http://usermanuals.us>

<http://www.somanuals.com>

<http://www.4manuals.cc>

<http://www.manual-lib.com>

<http://www.404manual.com>

<http://www.luxmanual.com>

<http://aubethermostatmanual.com>

Golf course search by state

<http://golfingnear.com>

Email search by domain

<http://emailbydomain.com>

Auto manuals search

<http://auto.somanuals.com>

TV manuals search

<http://tv.somanuals.com>