

Sears

owners  
manual

73 or  
74 model  
95% sure.



Cummins NORHEAST 781-329-1750

MODEL NO.  
917.25752

# SS/16 GARDEN TRACTOR

SEARS NORWELL - PARIS

871-4296

1-800-366-7278

-SERVICE

871-0717

871-1465

SEARS MANUAL 929 4100

**CAUTION:**  
Read Rules for  
Safe Operation  
and Instructions  
Carefully

- Assembly
- Operating
- Maintenance
- Repair Parts

Sears, Roebuck and Co., Chicago, Ill. 60684 U.S.A.  
and Simpsons Sears Limited, Toronto



## GUARANTEE

Your Tractor is guaranteed for one full year. If any defect in material or workmanship should appear during this time, simply contact our nearest Sears store or service center throughout the United States or Canada. We will make all necessary repairs, including parts and labor, at no charge to you. Tractors equipped with batteries: If battery proves defective and will not hold a charge, in exchange for the battery, we will: During the first 90 days-replace battery at no charge. After 90-days-replace battery, charging customer 1/12th of the price of the new battery for each full month from date of sale.

If the tractor is used for commercial or rental purposes, this guarantee applies for thirty days.

SEARS, ROEBUCK AND CO. - SIMPSON-SEARS LTD.

# SAFETY PAYS OFF

## IMPORTANT

### rules for safe operation

#### TRAINING

1. Read the Owners Manual carefully and fully familiarize yourself with the controls and proper use of your tractor as well as any attachment. Be prepared to stop the engine and powered attachment(s) on a second's notice. Only persons well acquainted with these Rules for Safe Operation should be allowed to use your tractor.
2. Do not allow children or young teenagers to start or operate your tractor.
3. Do not allow anyone in the area while operating your tractor. Keep the children and pets in the back yard while using it in the front yard. Keep a wary eye out for children or passers-by. Disengage the power to all attachments and stop the engine while they are in the vicinity of your tractor. Children, particularly, could get in the way of and injured by the tractor or an attachment.

#### PREPARATION

4. Do not operate the tractor when barefoot or wearing open sandals. Always wear substantial footwear, preferably steel-toed shoes. Also, do not wear loose fitting clothing that could get caught in moving parts.
5. Check your fuel supply before each use. Never remove the gas cap or fill the gasoline tank when the engine is running or while it is hot. When filling the fuel tank, leave space for expansion, do not fill it to the brim and keep in mind that the heat of the sun can cause the gasoline to expand. Wipe off any spilled gasoline before starting the engine. Remember, gasoline is highly flammable and must always be handled with extreme care.
6. A tractor and all attachments are precision

pieces of equipment, not playthings, therefore extreme caution must be exercised at all times.

7. Never attempt to operate a damaged tractor or attachment, always repair any damage before attempting to start or operate your tractor or attachment.
8. Never attempt to carry any passengers, their safety as well as your safety will be endangered.
9. Before attempting to start the engine of your tractor make sure the gear shift lever is in neutral and the power to all attachments is disengaged, then firmly apply the foot brake and be sure to release the parking brake. The parking brake must always be disengaged when you put the tractor in motion. If the tractor is operated with the parking brake engaged serious damage may result.
10. Each time before leaving the operator's seat, be absolutely sure the power to all attachments is disengaged, the parking brake is engaged, the gear shift lever is in neutral, the engine is shut off, the attachments and all moving parts have completely stopped and the ignition key is removed. Never leave the operator's seat with the engine or any powered attachment running. Always get on or off your tractor from the operator's left-hand side.
11. Always operate your tractor in daylight; dusk or dark - use your lights.
12. Operate your tractor at safe speeds on wet or slippery surfaces, where traction is unsure. Never at a speed which could cause a skid.

#### OPERATION

13. Do not attempt to change the governor setting or overspeed the engine. The governor controls the engine speed and protects the engine from jamming, excessive speeds. Excessive engine speeds are dangerous.



## rules for safe operation (cont.)

- with a pull starter, stand firm and make sure your feet are well away from all powered attachments.
15. Never place your hands or feet in or under any powered attachment or near any moving parts while the tractor or any powered attachment is running.
  16. Always disengage the power to all attachments, set the parking brake, shift into neutral, shut off the engine, make absolutely sure any powered attachment and all moving parts have completely stopped and remove the ignition key each time you dismount your tractor, even for a second. Children, yourself, other persons or pets may be endangered.
  17. If your tractor or any attachment should inadvertently strike a foreign object, immediately disengage the power to the attachment, set the parking brake, shift into neutral, shut off the engine, make absolutely sure any powered attachment and all moving parts have completely stopped, remove the ignition key, disconnect the spark plug wire from the spark plug and keep the wire away from the plug to prevent injury or accidental starting, then thoroughly, inspect the tractor or attachment for any damage. Such damage must be repaired before restarting and operating the tractor or attachment.
  18. If the tractor or any powered attachment should start to vibrate abnormally, place the control lever for powered attachments in the disengaged position, set the parking brake, shift into neutral, shut off the engine, make absolutely sure the powered attachment and all moving parts have completely stopped, remove the ignition key, disconnect the spark plug wire from the spark plug and keep it away from the plug to prevent injury or accidental starting, then check immediately for the cause of this vibration as vibration is generally a warning of trouble.
  19. Before adjusting, cleaning, repairing or inspecting your tractor or any powered attachment, disengage the power to all attachments, set the parking brake, shut off the engine, make absolutely sure the powered attachments and all moving parts have completely stopped, remove the ignition key, disconnect the spark plug wire and keep it away from the spark plug to prevent injury or accidental starting.
  20. Do not run the engine indoors because the engine exhaust fumes contain carbon monoxide which is a tasteless, odorless, deadly poison.
  21. Never operate your tractor upon a terrace, slope or incline that is too steep to preserve good stability and control in order to prevent tipping or sideways upsets. Always operate a tractor up and down such an incline, at a slow speed, do not operate it across. Always exercise extreme caution when changing direction on inclines. Never attempt to operate your tractor on steep terraces, slopes or inclines with more than a 15 degree slope.
  22. Do not start or stop suddenly when going up or down a terrace slope or incline. If it is necessary to stop your tractor upon an incline, do so firmly to prevent the tractor from picking up speed during declutching and before reaching the brake position. Do not shift gears while going up or down inclines. Choose a gear low enough to negotiate the incline without stopping and shifting gears. To reduce the speed of the tractor on an incline move throttle lever to slow.
  23. Never attempt to operate your tractor or any attachments without the proper shields, guards, plates or other protective devices in place and fully functioning.
  24. Before and while attempting to back up, look carefully to be absolutely sure that children, bystanders, pets, foreign objects or obstacles of any kind are not behind you.
  25. Never allow anyone near the tractor or any attachment while they are operating.
  26. Be sure to exercise special care when operating your tractor around fixed objects in order to prevent the tractor or any attachment from striking them. Never deliberately run a tractor or an attachment into or over any foreign objects.
  27. Use care when pulling loads. Use only approved drawbar hitch points. Limit loads to those you can safely control. Do not turn sharply. Use counterweight or wheel weight(s) when suggested in the attachment Owners Manual.
  28. Never shift gears to reverse your direction of travel until the tractor comes to a complete stop.
  29. Always stay alert to avoid holes in the terrain and other hidden hazards. Tipping or sideways upsets can happen easily in holes or ditches. Use low gear on unfamiliar ground. If the tractor or any attachment becomes stuck in a hole, always disengage the power to all attachments before attempting to free it.
  30. The use of any precision piece of power equipment requires your full concentration and attention to the job being done in order to prevent injury or damage.
  31. Always disengage the power to all attachments when not actually in use such as when crossing a gravel drive, sidewalk or roadway or when transporting the tractor.
  32. Watch out for traffic when crossing or near roadways.

## MAINTENANCE

33. Keep all nuts, bolts and screws tight in order to be sure that the tractor and any attachment is in safe working condition. Be sure the brake and all powered attachment controls are always in proper adjustment and repair. Check the attachment and engine mounting bolts at frequent intervals for proper tightness. Before performing any maintenance, always disengage the power to all attachments, set the parking brake, shift into neutral, shut off the engine, make absolutely sure the powered attachment and all moving parts have completely stopped, remove the ignition key, disconnect the spark plug wire from the spark plug and keep it away from the plug to prevent injury or accidental starting. The only exception to this rule is carburetor adjustment, page 12.
34. Keep the engine free from accumulations of grass, leaves or excessive grease as these accumulations are combustible and could result in a fire. Always keep your tractor and all attachments in good operating condition and make sure that all shields, guards, plates and

## rules for safe operation (cont.)

other protective devices are in place. Give your tractor and all attachments the regular maintenance they need and have a competent serviceman make a thorough inspection of them at least once a year.

35. Do not store your tractor for prolonged periods (more than 30 days) with gasoline in the tank. Do not store your tractor or a gasoline container inside a building where fumes may reach

an open flame or spark, they should be stored in a cool, dry place. Be sure to let the engine cool before storing in any enclosure. Always use an approved gasoline container for storing gasoline and keep your tractor, attachments and gasoline container in locked storage to prevent children from playing and tampering with them.

## introduction

This tractor has been designed, engineered and manufactured to give you the best possible dependability and performance.

Should you experience any problem you cannot easily remedy, please contact your nearest Sears, Roebuck and Co, or Simpsons Sears, Ltd. Store. They have well qualified, competent trained technicians and the proper tools to service or repair this unit.

It is important that the operator ALWAYS OBSERVE THE "RULES FOR SAFE OPERATION" as well as other instructions contained in this Manual. We have provided this Manual to help you operate your Tractor with utmost efficiency. We urge you to study this Manual so you will understand your new Tractor thoroughly before operating it. We suggest that you take care of your Manual so that it will be available for future reference should you need it.

## table of contents

GUARANTEE	1
RULES FOR SAFE OPERATION	1 - 3
ASSEMBLY INSTRUCTIONS	3 - 5
OPERATING INSTRUCTIONS	5 - 7
MAINTENANCE INSTRUCTIONS	8 - 14
REPAIR PARTS	15 - 33

## assembly instructions

A letter in paranthesis in the following instructions refers to an arrow in the adjoining Figure (illustration), except when otherwise stated. When R.H. (Right Hand) or L.H. (Left Hand) is used, it should be understood to mean as if one were seated on the Tractor seat facing forward.

1. Remove battery. Cut banding holding Tractor to bottom of crate.
2. Your Tractor has been completely assembled at the factory except, to fill, charge and install the battery and install steering wheel. The battery was shipped dry. Instructions are given on page 4 for filling, charging and installation.
3. Your Tractor was lubricated at the factory however, we suggest you follow the Lube Chart on page 10 before operation.
4. Tires were over-inflated for shipping purposes. Reduce air pressure to 12 lbs. in front tires and 12 lbs. in rear tires. This will improve traction and give you the comfortable ride you will want.
5. A plastic bag of parts was shipped with your Tractor and should be opened at this time. It will contain the following items:

- 1 - Battery Clamp
- 2 - Wing Nuts
- 2 - Battery Bolts
- 2 - Flat Washers

(These items hold battery in position on Tractor. They are used in steps 3 and 5, page 5).

- 1 Woodruff Key
- 1 Hex Bolt 3/8 x 1
- 1 Washer 7/16 x 1 x 10 Ga.
- 1 Lockwasher 3/8
- 1 Steering Wheel Cap

Used to hold  
Steering Wheel  
in place

- 2 - Hex Nuts  
(They secure ground strap and positive cable to battery. They are used in steps 6 and 7, page 5).
- 2 - Ignition Keys  
(We suggest one key be removed from the wire ring and kept in a safe place. Position the second key in the Tractor ignition).

## fill and charge battery

CAUTION: DO NOT ASSEMBLE BATTERY TO TRACTOR UNTIL BATTERY HAS BEEN FILLED AND CHARGED.

FILL BATTERY AS SHOWN DO NOT OVERFILL---

CORRECT LEVEL IS BOTTOM OF TUBES IN CELLS. - OVER FILLING WILL RESULT IN WIRE OR PAINT DAMAGE ON TRACTOR.



1. Fill battery with electrolyte and charge battery as outlined in instructions in battery container. NOTE: After filling cells, let battery stand for thirty (30) minutes. Recheck acid level, add more electrolyte if necessary, then charge battery at a rate not exceeding three (3) amperes for about 2½ hours. CORRECT LEVEL IS BOTTOM OF TUBES IN CELLS.

CUT-AWAY VIEW OF BATTERY

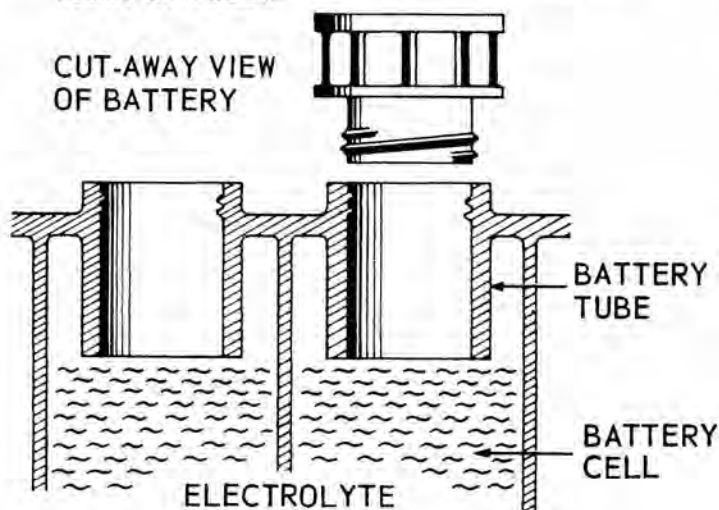


FIG. 1

There will be an amount of electrolyte (acid) in the container after battery is filled. This should be disposed of and not used at a later date to refill Tractor or any other battery. Using a common 5 gallon polyethylene garbage can or pail, fill with a minimum of four inches of water. Avoid spillage on person or clothing, add left over electrolyte to water. Then sodium bicarbonate (baking soda) should be added and the mixture stirred or agitated until the addition of bicarbonate no longer causes foaming. Agitate with a wooden or plastic stake or stick only. It will

4824R-7. 1, 74

now be safe to dispose of this down a regular sewage system. Since the product is well neutralized, no criticism from authorities should result.

It is preferable, where permissible, to burn the empty acid pack to prevent possible further contact with acid.

## steering wheel

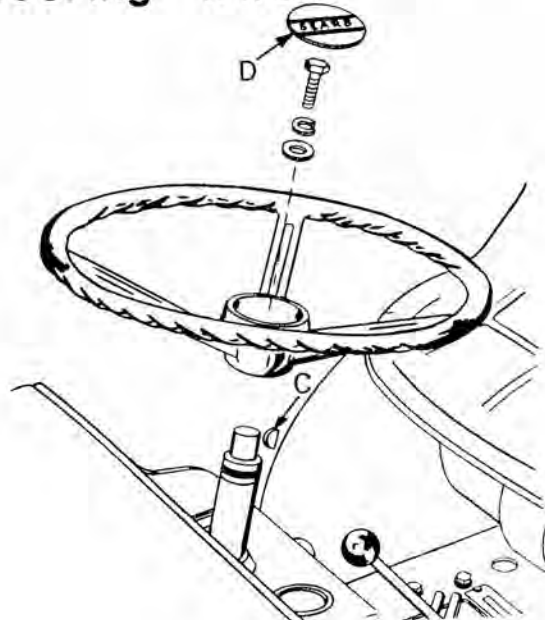


FIG. 2

1. Refer to Fig. 2. Insert woodruff key (C) in key way of steering shaft. Slide steering wheel down over steering shaft and woodruff key. Important: Be sure woodruff key is in place in steering shaft and steering wheel. Secure with flat washer, lockwasher and hex bolt. Tighten bolt securely. Press steering wheel cap (D) into position in center of steering wheel.

## battery installation

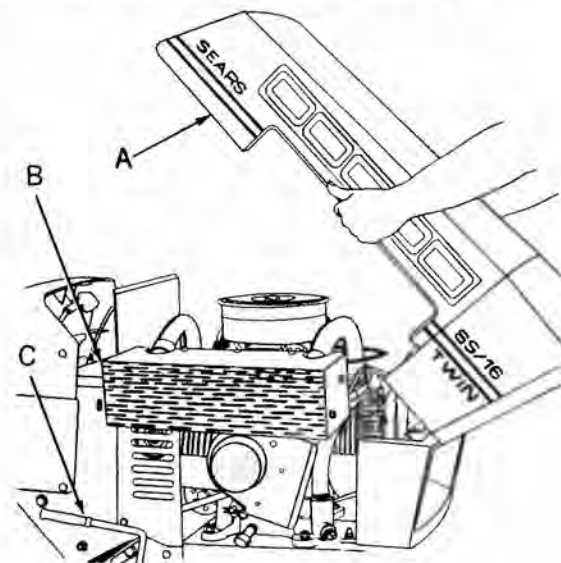


FIG. 3

1. To lift hood assembly (A), grasp each side of hood at rear and pull outward and upward. Lift hood to its extreme forward position.
2. Remove tape holding plastic tray (B) in tractor.

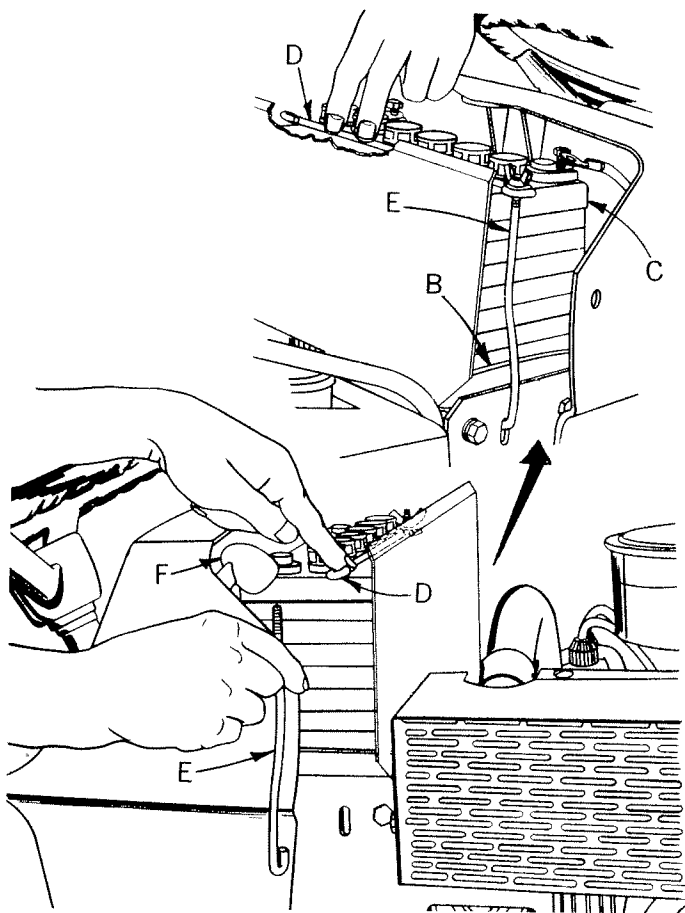


FIG. 4

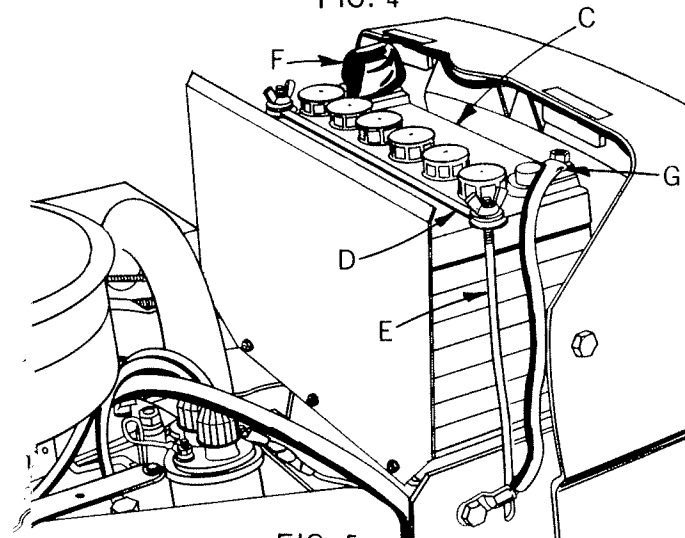


FIG. 5

4. Place battery (C) in plastic tray (B) with battery terminals to rear of tractor as shown.
5. Assemble battery clamp (D) to one of the two (2) battery bolts (E) with a 5/16 x 3/4 flat washer, and wing nut above clamp as shown. Hook lower end of battery bolt in slot in side of battery support as shown. Place clamp across top of battery, and secure other battery bolt to battery support and clamp with other flat washer, and wing nut. Tighten wing nuts securely.
6. Connect cable and cover (F) Fig. 5 to plus (+) terminal battery. Secure with 1/4 hex nut found in plastic bag. Tighten nut securely.
7. Connect ground cable (G) (Fig. 5) to negative (-) terminal of battery. Secure with other 1/4 hex nut found in plastic bag. Tighten hex nut securely.

## seat position

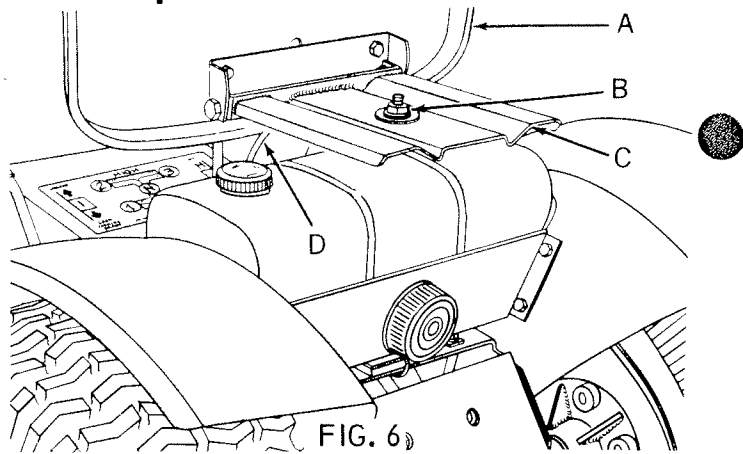


FIG. 6

1. The seat (A), may be moved forward, or backward, to give the most comfortable, and safe operating position. To move the seat, tip seat forward, as shown in Fig. 6. Loosen nut (B) slide seat (A) to desired position. Tighten nut (B) securely. Make sure that seat plate weldment (C), has not twisted out of alignment, with seat spring (D).

We recommend waxing the tractor to protect it's beauty, just like you would wax your new car. Keep your tractor clean and waxed.

## instructions before operating controls

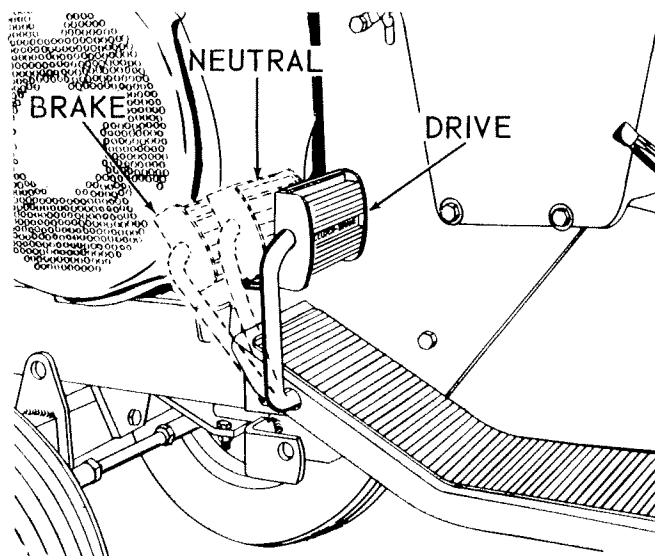


FIG. 7

The following controls are used to operate the Tractor:

1. Clutch and brake foot pedal is located on the left side foot rest. The foot pedal operates a combination brake and drive clutch. There are three positions of operation on the foot pedal.
  - a. The clutch is in DRIVE position when the pedal is all the way out (when the foot is removed from the pedal).
  - b. The clutch is in NEUTRAL when the pedal is depressed half way or more.
  - c. The BRAKE is on when the pedal is depressed all the way forward.



## instructions before operating (cont.)

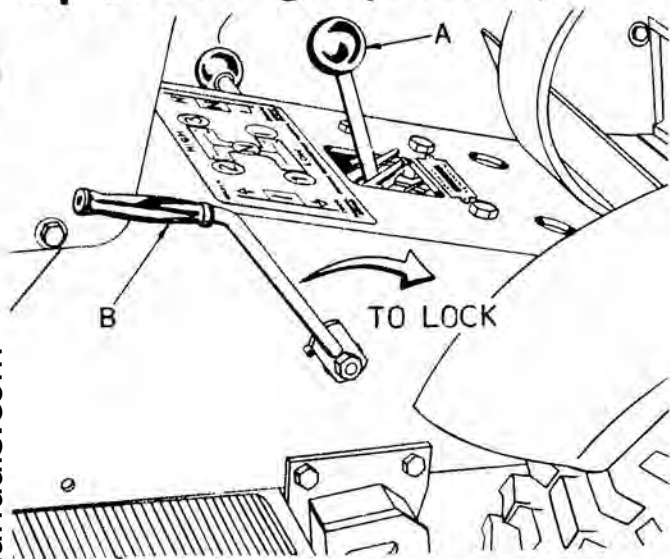


FIG. 8

2. The transaxle (transmission) gear shift lever (A), is located at front, center of seat.
  - a. The gear shift lever selects the FORWARD, NEUTRAL and REVERSE gears.
3. To engage parking brake, pull park brake lever (B), to rear (lock) position. To release parking brake, push lever (B), forward.

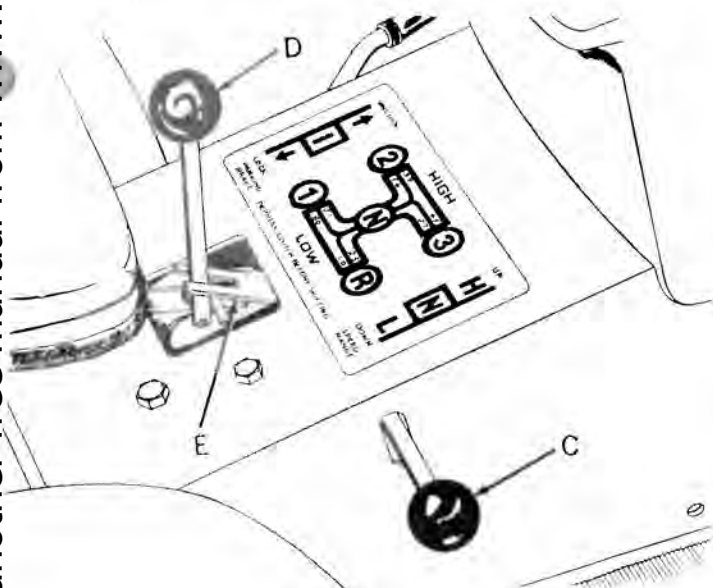


FIG. 9

4. The high-low range shift lever (C), is located on R.H. side of chassis, just forward of rear fender. The high-low range lever has 3 positions, up for high-range, center for neutral and down for low-range. There are 2 neutral positions in transmission, one on the gear shift lever (D), and one on the high-low range lever (C). Both levers must be engaged for Tractor to operate. Place both levers in neutral for pushing of Tractor or when Tractor is being towed. Refer to "Towing Tractor", page 7.

## fuel and lubricant

### OIL FILL TUBE AND DIPSTICK

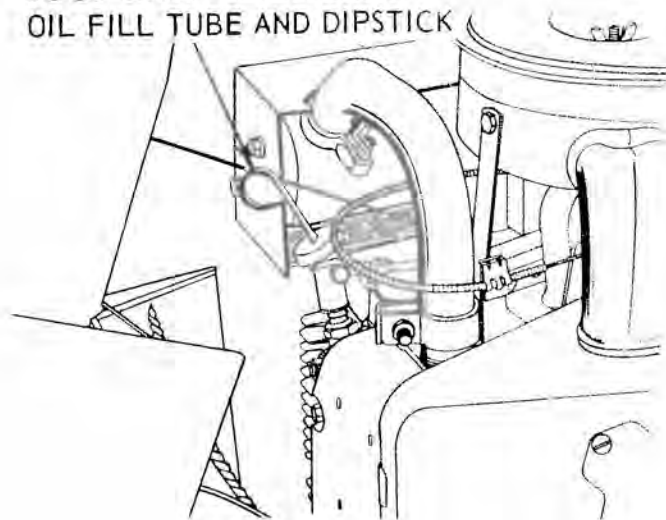


FIG. 10

1. Raise hood.
2. Engine crankcase is shipped with oil ready for use. However, check oil level before starting. If necessary, add oil to bring oil level up to full mark on the dipstick. Dipstick must be pushed down tight for checking oil level, and tractor should be level. NOTE: Do not fill above full mark on dipstick. Use Allstate S.A.E. 30 oil or equivalent for summer use. For winter use, below 32°, use Allstate Multi-grade oil S.A.E. 5W-30, 10W or equivalent. Nothing should be added to the recommended oil. Make sure the oil used is a high quality detergent oil classified "for service MS, SD, SC or SE. Because of recent changes in the classifications, the oil container may show one or a combination of these recommended classifications. CAUTION: Do not overfill crankcase. Do not use service DS oil. Do not mix brands nor grades of motor oil.
3. Fill fuel tank with a good grade of fresh, CLEAN, regular gasoline. Wipe off all spilled fuel and oil.

NOTE: Gas tank is located under tractor seat. Tilt seat forward, so fuel can be added to gas tank. Refer to Page 5 Fig. 6.

## operating instructions how to start and stop

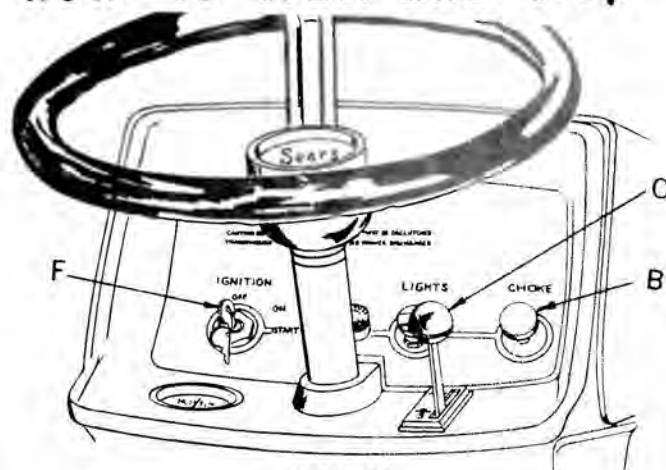


FIG. 11

1. Pull out choke control (B), to full choke position to start in cold weather.

(CONT. ON PAGE 7).

# operating instructions (cont.)

2. Advance throttle control lever (C), to about  $\frac{1}{2}$  throttle.
3. This Tractor is equipped with two safety switches. One switch is located on the gear shift lever (D, Fig. 9, Page 6, at point E). The other switch is located on attachment clutch lever (C, Fig. 3, Page 4). The gear shift lever must be in neutral (center position). The attachment clutch lever must also be in disengaged (out), position for engine to start. Turn key (F, Fig. 11, Page 6), in ignition-starter switch clockwise to engage starter. When engine starts, release key. After engine starts, push in choke control as engine warms up. Let engine warm up before applying load. CAUTION: Do not run starter continuously for more than 30 seconds at a time. If after several attempts, engine does not start, move throttle control (C), to fast position. Wait two minutes and try again.

NOTE: If attachment clutch lever interferes with attachment to be used, remove handle.

CAUTION: First move handle to "OUT" position, then remove nut and handle. Save for use with attachment for which it is required.

4. To stop engine, turn ignition key in a counter-clockwise direction to OFF position. Key should be removed to prevent unauthorized operation.

## safe operating

1. Try your Tractor in a large, open space. Learn to start, stop and reverse.
2. Start the engine and put the throttle lever at about  $\frac{1}{3}$  throttle. Push down on foot pedal, move gear shift lever and range shift lever to speed desired. Release foot pedal slowly, and Tractor will start to move. After foot pedal is fully released (clutch engaged), move throttle lever to fast position. If ground travel is too fast, reduce throttle lever to about  $\frac{1}{2}$  throttle or depress foot pedal and shift to a slower ground travel speed. Always select a ground travel speed that will suit attachment being used and not overload the engine.
3. Do not shift gears while Tractor is moving.
4. To stop Tractor, push foot pedal all the way down and reduce throttle lever to about  $\frac{1}{2}$  throttle. Disengage power to attachment. Move gear shift lever to neutral, set parking brake lock and release foot pedal. Always check to make sure brake lock will hold Tractor secure. Shut-off and remove key from switch. This will prevent unauthorized operation. Keep key in a safe place out of reach of children. Never leave engine running with Tractor unattended.

5. Do not operate the Tractor in high gear going down hill. Do not turn sharp corners while going down hill. If it is necessary to stop Tractor while going down hill, do so quickly to prevent Tractor from picking up speed during the declutching to brake position.

NOTE: The engine produces considerable braking action when throttled back to idling speed without declutching. This procedure is recommended before applying brake.

DO NOT OPERATE TRACTOR ACROSS SLOPES. DO NOT OPERATE TRACTOR UP OR DOWN SLOPES WITH MORE THAN A 15 DEGREE SLOPE.

6. Do not shift gears while going up steep hills. Choose a low enough gear to climb hill without stopping and shifting gears. If it is necessary to stop while going up hill, do so quickly to prevent Tractor rolling backward. Before starting Tractor in motion going uphill, use one of the lowest gears. Reduce engine speed and engage clutch gradually to prevent Tractor from "rearing up".
7. Upsets can happen easily in ditches. Stay alert for holes or other yard hazards.
8. If tractor becomes mired in a hole, try to back out rather than driving forward.

## towing tractor

1. Place gear shift lever and range shift lever in neutral position. Tractor can then be towed at a reasonable safe speed not faster than 6 miles per hour.

## engine pulley grooves to use for your various attachments

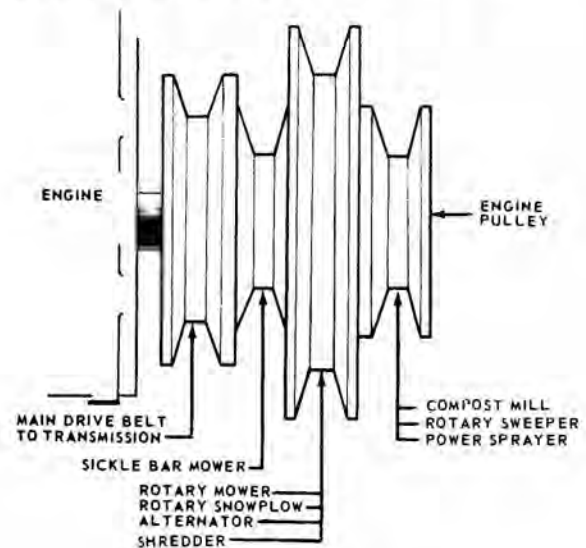
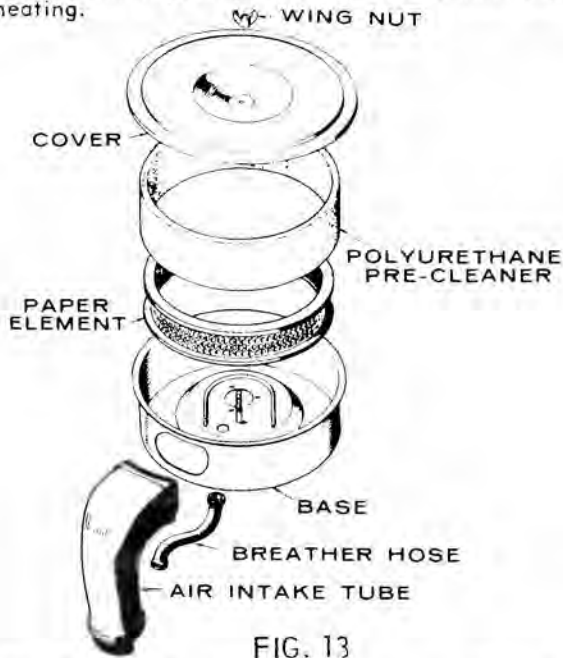


FIG. 12

# maintenance instructions air cleaner

CAUTION: If air cleaner becomes too dirty, engine will not receive sufficient air to run properly. Symptoms: Loss of power, flooding, hard to start and overheating.



This engine is equipped with a paper element and a polyurethane pre-cleaner that must be removed, cleaned and oiled every 25 hours of operation, or more under extremely dusty conditions.

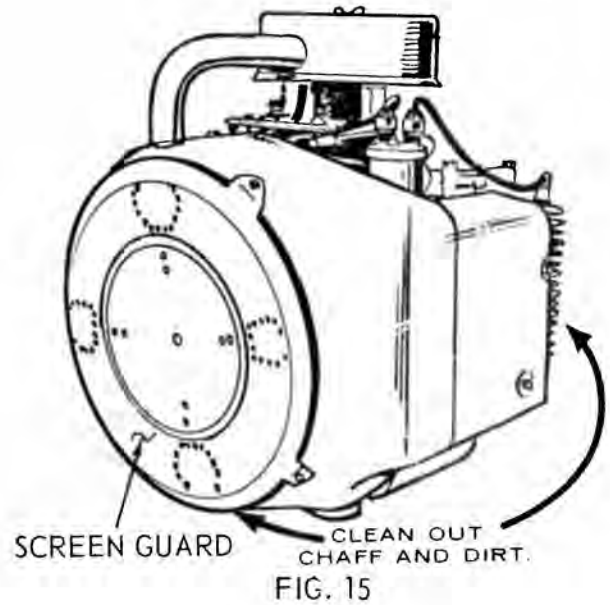
1. WASH
2. SQUEEZE DRY
3. COAT WITH OIL
4. INSTALL OVER PAPER ELEMENT



- 1 To clean pre-cleaner wash in water and detergent referring to Figure 14. Remove excess water by squeezing like a sponge and allow to dry thoroughly. Distribute three tablespoons of SAE 30 engine oil evenly around the pre-cleaner. Knead into and wring excess oil from pre-cleaner.
2. Depending on conditions in which the tractor is operating, the inner paper element should be replaced whenever it becomes excessively dirty.

CAUTION: NEVER RUN THE ENGINE WITH THE AIR CLEANER REMOVED. DIRT WILL ENTER THE ENGINE AND SCORE THE CYLINDERS.

## cooling system



COOLING SYSTEM: Check and clean cooling fins at least every 50 hours. Remove any dust, dirt or oil which may have accumulated. Remove any chaff from rotating and stationary blower screen.

CAUTION: Plugged or clogged cooling fins or blower screens can cause overheating and engine damage.

THIS TRACTOR HAS AN AIR COOLED ENGINE. AIR MUST BE ABLE TO CIRCULATE FREELY AROUND THE ENGINE, THROUGH THE SCREEN GUARD AND GUARD (ROTARY SCREEN), AND OVER THE FINS OF THE CYLINDER BLOCK. KEEP THESE AREAS FREE OF ACCUMULATED DIRT AND TRASH OR THE ENGINE WILL OVERHEAT AND RESULT IN DAMAGE TO ENGINE.

## engine lubrication

STOP ENGINE AND WAIT SEVERAL MINUTES BEFORE CHECKING OIL LEVEL.

BE SURE TRACTOR IS ON LEVEL GROUND AND ENGINE IS STOPPED BEFORE CHECKING OIL LEVEL.

OIL FILL TUBE AND DIPSTICK

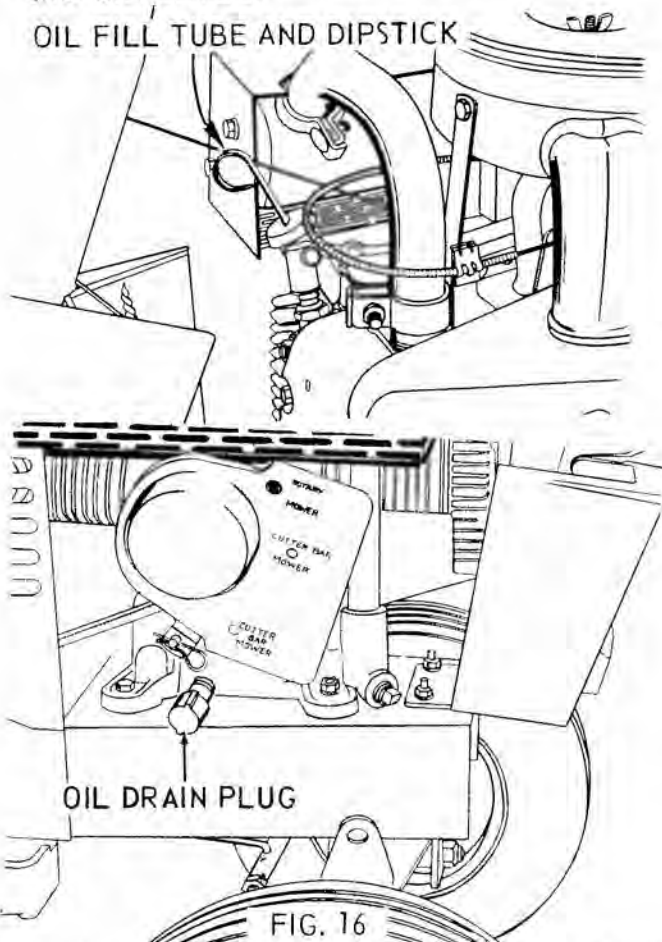


FIG. 16

1. Change oil in crankcase after FIRST 2 HOURS of operation. Engine should be warm when oil is changed.
2. To drain oil, unscrew oil drain plug at lower R. H. side of engine. Catch oil in suitable container.
3. Refill engine crankcase with oil as instructed under "Fuel and Lubricant", page 6. Capacity 4 pints. Check oil level after each 8 hours of operation and add oil, if necessary, to bring to correct level on dipstick.
4. After first oil change, oil should be changed after each 25 hours of operation. In extremely dirty or dusty conditions, change oil every 15 hours of operation.

**NOTE: THE BEST TIME TO DRAIN OIL IS AT THE END OF A DAY'S OPERATION AT WHICH TIME THE OIL IS HOT AND ALL DIRT AND FOREIGN MATERIAL IS SUSPENDED IN THE OIL.**

**IMPORTANT: BE EXTREMELY CAREFUL TO PREVENT DIRT OR FOREIGN PARTICLES FROM ENTERING THE ENGINE CRANKCASE OR TRANSMISSION WHEN CHECKING OIL LEVEL OR CHANGING OIL.**

## transaxle (transmission) lubrication

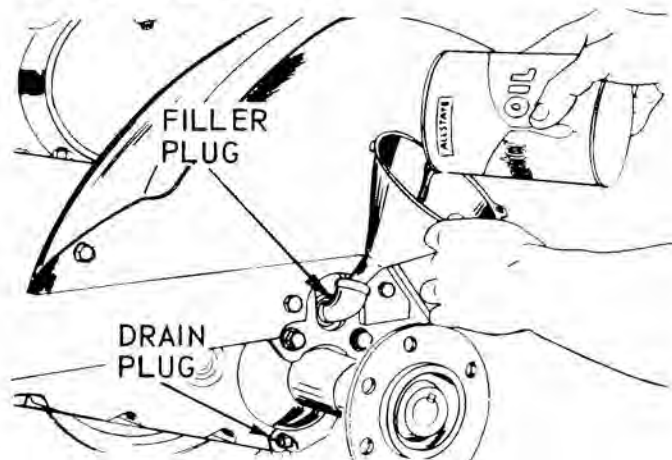


FIG. 17

Rear wheel is removed for illustrating.

1. Check oil in transaxle every 50 hours of operation. To check oil level, remove filler plug from transaxle. Oil level should be even with this plug.
2. Change oil in transaxle after 500 hours of operation. To drain, remove drain plug and catch oil in suitable container.
3. To fill transaxle, use 5 qts. of Allstate S.A.E. 30 motor oil for service MM or MS or equivalent. Fill through filler plug as shown.

LOOK  
BEFORE  
BACKING...



# lubrication chart

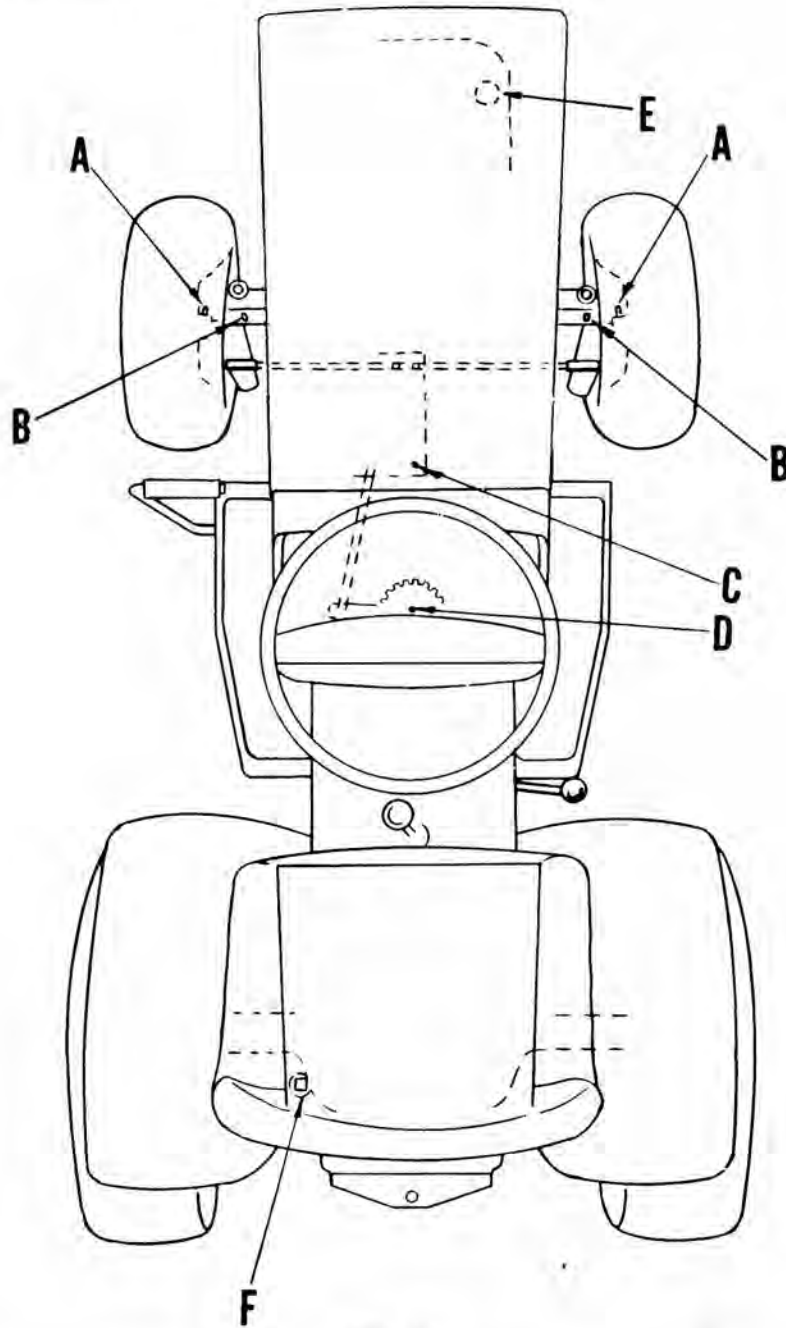


FIG. 18

There are only 6 grease fittings on your tractor. Give each grease fitting 2 shots of grease every 5 hours of operation. Use high performance extreme pressure lubricating grease Amdex No. 1. This may be obtained by ordering part number 2557R from your local Sears store or Catalog outlet.

- A - Front Wheels (2 fittings, both sides)
- B - Front Spindles (2 fittings, both sides)
- C - Steering Bell Crank
- D - Steering Gear Sector and Arm

E - Check oil in engine crankcase at least every 8 hours of operation. Change oil every 25 hours of normal operation. In extremely dirty or dusty conditions, change oil every 15 hours of operation.

F - Check oil in transaxle (transmission) every 50 hours of operation. Change oil in transaxle every 500 hours of operation.

-- Apply several drops of oil to all pivot points every 5 hours of operation.

## transaxle (transmission) drive belt adjustment

A new belt will stretch after the first few hours of operation, then after initial stretch, adjustment is seldom necessary.

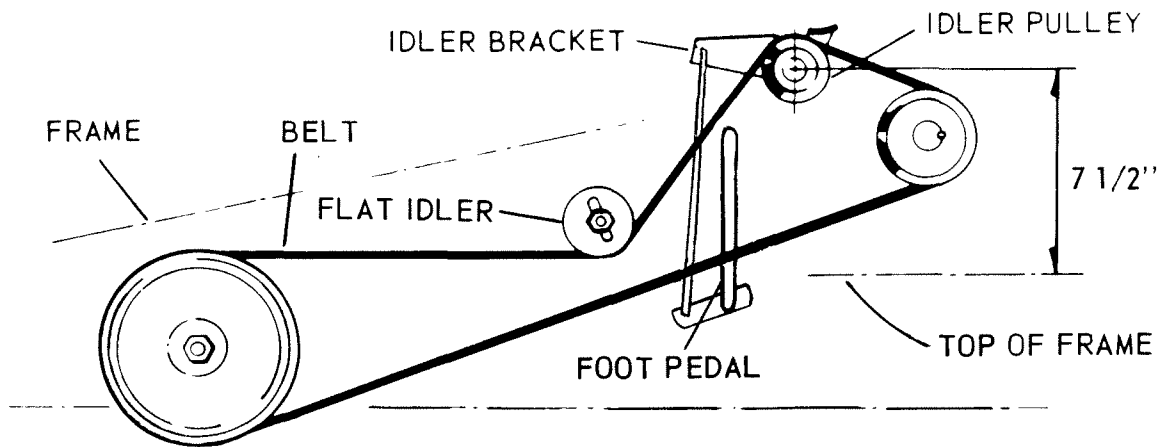


FIG. 19

1. Loosen bolt in flat idler and frame, and push idler and bolt down in slot of frame until center of idler pulley on idler bracket (just back of engine), is  $7\frac{1}{2}$  inches above frame as shown. Tighten bolt in flat idler and frame securely.

NOTE: Foot pedal should be in vertical or just back of vertical position with clutch engaged. New belts will stretch after a few hours of operation, then after initial stretch, adjustment is seldom necessary. Adjust belt after first 10 hours of operation.

## brake adjustment

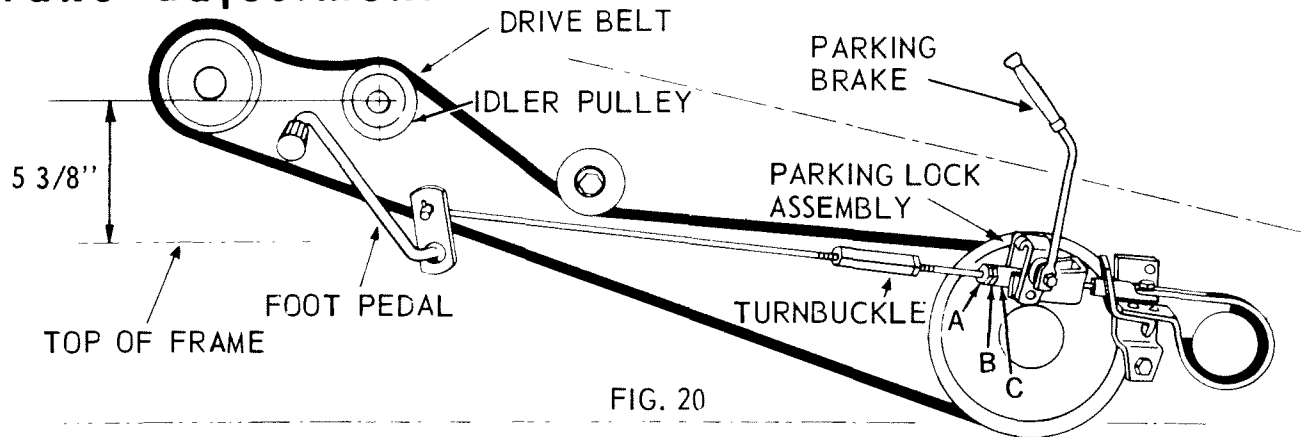


FIG. 20

To adjust brake, loosen nut back of turnbuckle and turn turnbuckle (clockwise when standing in front of tractor), one turn at a time until foot pedal has about 4 inches of travel from clutch engaged to full brake position, or center of idler is about  $5\frac{3}{8}$  inches above frame as shown.

Tab on idler bracket will deflect belt slightly. Tighten jam nut against turnbuckle to lock turnbuckle in position. Keep brake properly adjusted especially in hilly

## park brake lock adjustment

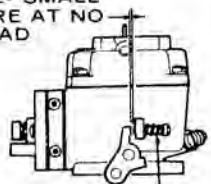
To tighten parking brake loosen hex nuts (A and B). Rotate parking lock lever to lock position. By hand press foot pedal forward to full brake position. While holding brake pedal forward tighten nut (B), against bushing (C), finger tight. Release foot pedal, and turn nut (B), back against bushing (C), two additional turns. Tighten nut (A), against nut (B), to lock in position. Place high-low lever in neutral position. Pull parking lock lever back (lock) position. Rear wheels of tractor should slide when tractor is pushed.

## carburetor adjustment

CAUTION: WHEN FOLLOWING STEPS 1 THRU 5 BELOW, USE EXTREME CARE TO AVOID CONTACT WITH MUFFLER, HEAT SHIELD OR MOVING PARTS TO PREVENT INJURY. ALSO, BELT GUARD MUST BE IN PLACE.

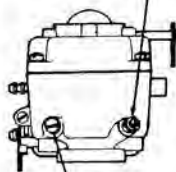
### MAIN FUEL AND IDLE VALVE ADJUSTMENT

LOW SPEED SET ON GOVERNOR LINKAGE- SMALL GAP HERE AT NO LOAD



THROTTLE STOP SCREW  
SIDE VIEW

MAIN FUEL (HIGH SPEED) ADJUSTMENT



IDLE ADJUSTMENT  
REAR VIEW

FIG. 21

### INITIAL ADJUSTMENT:

The carburetor has a main fuel valve adjusting screw and an idle valve adjusting screw. (Fig. 21). A low speed adjustment screw is shown in (Fig. 22).

1. Turn main fuel valve clockwise until it just closes.

CAUTION: Valves may be damaged by turning them in too far.

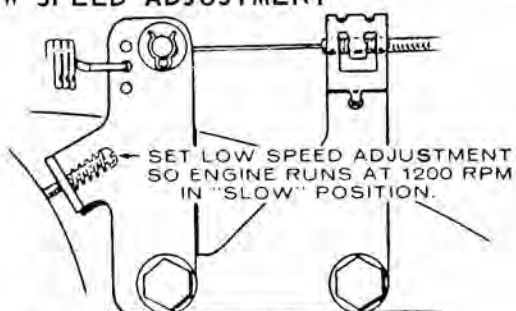
2. Now open main fuel valve 1 turn counterclockwise.
3. Close idle valve in same manner and open it 5/8 turn (counterclockwise).
4. This initial adjustment will permit engine to start and warm up prior to final adjustment.

### FINAL ADJUSTMENT

1. Turn main fuel valve in until engine misses (lean mixture), then turn it out past the point where engine runs smoothly until engine runs unevenly (rich mixture). Turn valve to mid-point between lean and rich so engine runs smoothly.
2. Hold engine at idle position and set low speed adjustment screw (Fig. 22) until a fast idle is obtained (1200 rpm).
3. Hold throttle in idle position and turn idle adjustment valve in (lean) and out (rich) until engine idles smoothly.
4. Reset low speed adjustment screw so engine idles at 1200 rpm.
5. Release throttle-engine should accelerate without hesitation. If engine does not accelerate properly, readjust main fuel valve by turning out slightly.

IMPORTANT: Do not open more than 1/2 turn beyond maximum power point.

### LOW SPEED ADJUSTMENT



SET LOW SPEED ADJUSTMENT SO ENGINE RUNS AT 1200 RPM IN "SLOW" POSITION.

FIG. 22

## spark plug



CHANGE ON HSC OR #587

SPARK PLUG GAP .025" GASOLINE

FIG. 23

SPARK PLUGS: Check, clean and reset spark plugs every 100 operating hours. Replace spark plugs that show signs of fouling or electrode erosion.

### points

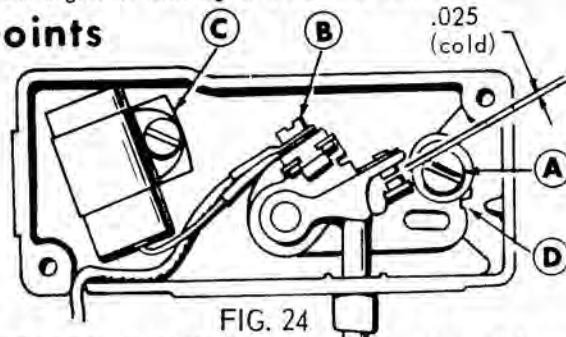


FIG. 24

BREAKER POINTS: Check, clean and reset breaker points every 200 operating hours. Replace points if they are pitted or burned. Set point gap to .025 cold when fully open.

### tires

Keep tires inflated to 12 pounds of air pressure in front; 12 pounds in rear.

Avoid stumps, stones, deep ruts and other hazards. Cuts in tires should be repaired immediately as neglect decreases the tire life. Keep tires free from oil and grease as both destroy rubber. After using the Tractor for spraying--insect control work--wash off any chemicals that may be on the tires.

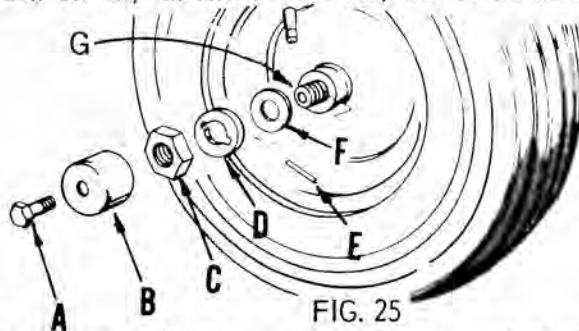


FIG. 25

To remove a front tire and wheel, proceed as follows:

1. Block up Tractor rocker bar (front axle) securely or use a Sears Tractor Jack.
2. Remove hex bolt (A), and dust cap (B).
3. Remove gripco nut (C), wear washer (D), pin (E), and washer (F), from spindle shaft assembly (G).
4. After tire is repaired, reverse above procedure for reassembly.

A rear wheel and tire is removed by removing the five hub bolts from wheel and hub. FIRST: Block up rear axle securely or use a Sears Tractor Jack. Sears or your local service station can repair your Tractor tire in the same manner as an automobile tire.

# trouble shooting

## WILL NOT START

### POSSIBLE CAUSE

### POSSIBLE REMEDY

Dead battery .....  
Attachment clutch lever engaged .....  
Gear shift lever in gear .....  
No gasoline in fuel tank or carburetor .....

Recharge or replace battery.  
Move to "out" position.  
Shift into neutral position.  
Fill the tank with gasoline; open fuel shut-off valve.  
Check fuel line and carburetor.

## HARD TO START

Water in gasoline or old fuel .....  
Choked improperly. Flooded engine .....  
Dirty air cleaner .....  
Spark plug dirty or improper gap .....  
Defective battery .....  
Defective ignition or loose wiring .....

Drain fuel tank and carburetor. Use new fuel and dry spark plug.  
Push in choke, open throttle control and crank engine several times to clear out the gas.  
Remove and clean, refer to page 8.  
Clean, adjust the gap or replace. Refer to page 12.  
Replace.  
Check the wiring and spark plug.

## ENGINE MISSES OR LACKS POWER

Dirty starter air screen .....  
Partially plugged air cleaner .....  
Low oil level or dirty oil .....  
Improper carburetor adjustment .....  
Spark plug dirty, wrong gap or wrong type .....  
Engine overloaded .....  
Faulty ignition .....  
Oil in gasoline .....  
Poor compression .....

Clean screen over starter, see page 8. Be sure fins on cylinder head and around cylinder are clean.  
Remove and clean, refer to page 8.  
Check or change oil, see page 9.  
Refer to page 12.  
Clean, reset the gap or replace.  
Shift to a lower gear or reduce load.  
Check spark plug and for loose wires. If trouble cannot be corrected, contact Sears.  
Drain and refill gasoline tank and carburetor. Oil reduces the efficiency of the engine.  
Contact Sears.

## ENGINE OVERHEATS

Dirty starter air screen .....  
Low oil level or dirty oil .....  
Partially plugged muffler .....  
Poor fuel or too lean a mixture .....  
Partially plugged air cleaner .....  
Dirty engine .....

Clean screen over starter, see page 8.  
Check or change oil, see page 9.  
Remove muffler from engine and clean.  
Refer to page 12.  
Remove and clean, refer to page 8.  
Clean fins on cylinder head and around cylinder.

## NO LIGHTS

No head lights or tail light with light switch knob pulled out .....

Check for loose wires or a short circuit in wiring.



## important battery care

Proper attention to the battery is of utmost importance.

The following points are recorded to help remind you to provide attention to the battery and gain full advantage of the usable life built into the battery and avoid costly replacement.

1. Check solution level in battery at least once each week. Add distilled water when required. Correct level is bottom of tubes in cells, refer to page 4. After adding water, run the engine so that the generator charge will mix the solution. **DO NOT OVERFILL.** Acid spilled from the battery will corrode choke control and throttle control casing and wire, Tractor paint, etc.
2. Keep the battery clean and dry at all times. Remove any collection of grease, corrosion or other substance from the battery.
3. Keep battery snug in its holder.
4. Keep vent caps tight and small vent holes in caps open.
5. If battery should become discharged or falls below a specific gravity of 1.225, remove battery and have it recharged.
6. When recharging, request service station to **SLOW CHARGE** the battery at a rate of 3 amperes. **FAST CHARGING IS NOT RECOMMENDED.**

## winter care--battery

1. If Tractor is not used regularly during winter months, the battery should be removed and stored in a cool, dry place above 50° F.
2. Battery should not be placed directly on cement as this will drain the battery.
3. If Tractor is used only infrequently during winter months, check battery at least once each thirty days to be sure a full charge is maintained.
4. A battery not fully charged can freeze, resulting in the necessity to replace.
5. A safe rule is to charge the battery monthly or at least test and recharge if below 1.225 specific gravity.
6. Recharge to bring the specific gravity to normal before replacing it in the Tractor after storage.

Please remember the necessity of proper winter care for the battery. Batteries not in use for several months and not kept fully charged, produce a sulphation of the plates which cannot be removed by recharging.

## Important-V Belt Care

1. To prolong the life of your tractor's drive belts, the tractor and attachment clutches should be engaged with the engine throttle lever placed at about 1/3 throttle.
2. After the clutches are engaged, the engine throttle lever should be moved upwards to the "Fast" position for most efficient tractor operation.

## storage instructions

In the event your Tractor is to be inoperative for periods in excess of 30 days - prepare for storage as outlined in the next column.

1. Drain fuel tank and carburetor by allowing the engine to run out of gasoline. Gasoline left in your engine will leave gum deposits and condensation in the carburetor and fuel tank. This makes fuel system inoperative and will result in hard or non-starting of the engine.
2. Lubricate cylinder by removing the spark plug. Pour one ounce of clean lubricating oil through the spark plug hole into the cylinder. Crank the engine slowly to spread oil and replace the spark plug.
3. Clean the engine and Tractor of all foreign matter.
4. Do not save or store gasoline over winter.

**STORE YOUR TRACTOR IN A DRY AND PROTECTED PLACE. LEAVING YOUR TRACTOR OUTDOORS, EXPOSED TO THE ELEMENTS, WILL RESULT IN MATERIALLY SHORTENING ITS LIFE.**

## general

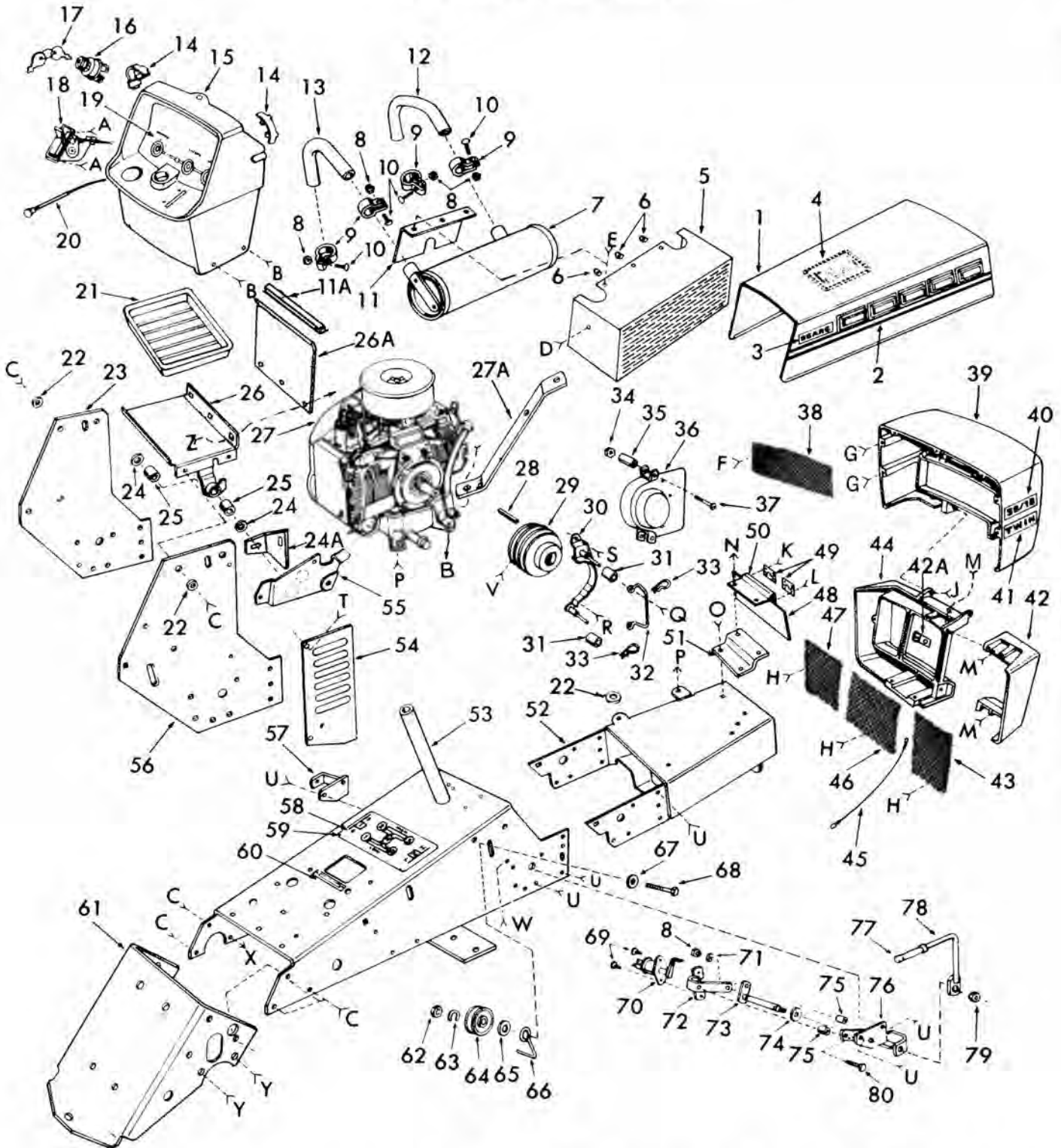
1. Just as your automobile needs professional mechanical maintenance from time to time, so does your air cooled engine. Cleaning and adjustment of the carburetor and periodic replacement of the spark plug and ignition points is made necessary by **NORMAL** use.
2. Professional air cooled engine service is as close as your nearest Sears Store.
3. A yearly check-up or tune-up by Sears is a good idea to avoid breakdowns or delays.

Sears, Roebuck and Co. or Simpsons-Sears Ltd. in Canada reserves the right to make any changes in design or improvements without imposing any obligation to install the same upon its items heretofore manufactured.

# repair parts

SS/16 TRACTOR--MODEL NUMBER 917.25752

MAIN FRAME, DASH, GRILL



- |   |   |   |   |   |   |   |   |   |   |   |   |   |   |   |   |   |   |   |   |   |   |   |   |
|---|---|---|---|---|---|---|---|---|---|---|---|---|---|---|---|---|---|---|---|---|---|---|---|
| A | B | C | D | E | F | G | H | J | K | L | M | N | O | P | Q | R | S | T | U | V | W | X | Y |
|   |   |   |   |   |   |   |   |   |   |   |   |   |   |   |   |   |   |   |   |   |   |   |   |
|   |   |   |   |   |   |   |   |   |   |   |   |   |   |   |   |   |   |   |   |   |   |   |   |
|   |   |   |   |   |   |   |   |   |   |   |   |   |   |   |   |   |   |   |   |   |   |   |   |

# repair parts

SS/16 TRACTOR—MODEL NUMBER 917.25752

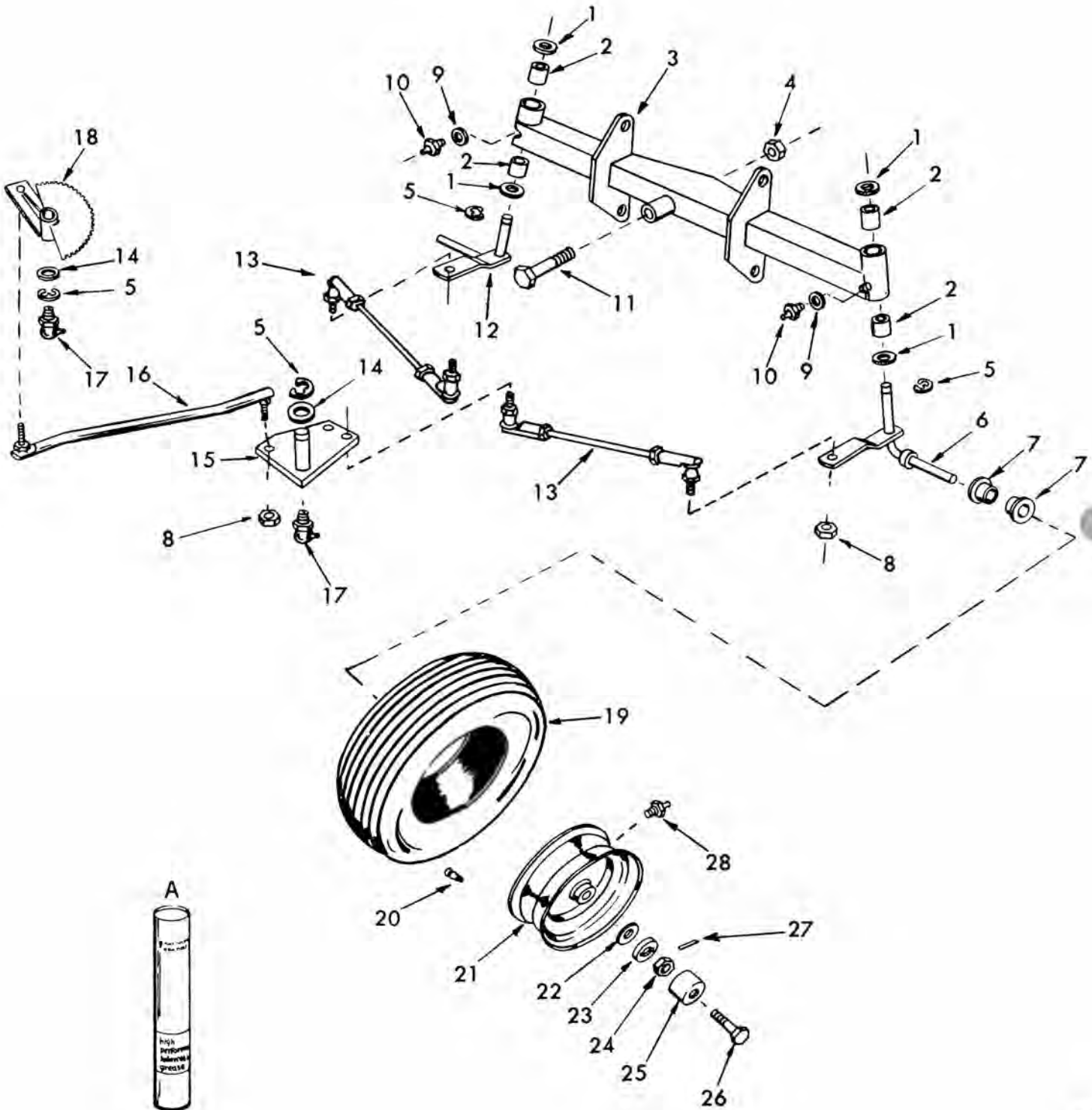
## MAIN FRAME, DASH, GRILL

KEY NO.	PART NO.	DESCRIPTION	KEY NO.	PART NO.	DESCRIPTION
1	634A551	Hood Assembly	58	2702R	Shift Pattern Plate
2	5610R	Decal-Hood Strip	59	9521H	Drive Rivet
3	3300R	Decal-Sears	60	5858R	Model Plate
4	4821R	Decal (Maintenance Minder)	61	634A101	Drawbar & Weldnuts
5	634A549	Muffler Guard Assembly	62	500P	Hex Nut 7/16-14 (STD541043)
6	3531R	J-Clip	63	1001P	Lockwasher 7/16
7	2695R	Muffler	64	6635H	Flat Idler
8	504P	Hex Nut 5/16-18 (STD541031)	65	1520P	Washer .469 I. D. x 1-1/8 x 11 Ga.
9	582R	Clamp-1 3/8 (Includes No. 8 & 10)	66	6479H1	Belt Guide Finger
10	3012P	Hex Bolt 5/16-18 x 1 1/4 (STD523112)	67	1518P	Washer 15/32 x 11/16 x 16 Ga.
11	3494R	Heat Shield-Carburetor	68	3262P	Hex Bolt 7/16-14 x 2-1/2
11A	5348R	Sealing Strip	69	5501P	Pan Hd. Phillips Thread Cutting Screw No. 10-24 x 3/8 Type T
12	2697R	Exhaust Manifold-Front	70	2249R	Safety Switch
13	2696R	Exhaust Manifold-Rear	71	1003P	5/16 Lockwasher (STD551131)
14	1998R	Clip-Dashboard	72	634A492	Switch Bracket Assy
15	634A605	Dashboard w/Clips (Includes Item No. 14 Does Not Include Item No. 19)	73	634A491	Belt Tightener Arm & Idler Shaft
16	2683R	Ignition Switch (Includes Item No. 17)	74	5999H	Spring Washer
17	7552H	Key Set	75	1689E	Bushing
18	2682R	Remote Control-Throttle	76	634A494	Hanger Weldment-R. H. Front
19	4819R	Dashboard Panel	77	4379H	Handle Grip
20	2754R	Choke Control	78	634A493	Blade Clutch Handle Assy
21	2686R	Battery Tray	79	7810H	Gripco Locknut 3/8-24
22	1513P	Washer 13/32 x 13/16 x 16 Ga. (STD 551037)	80	3013P	Hex Bolt 5/16-18 x 1 1/2 (STD 253115)
23	2671R	Bracket-Battery Support L. H.	81	1002P	Lockwasher 1/4 (STD551125)
24	1545P	Washer 17/32 x 1 x 16 Ga.	82	1506P	Washer 9/32 x 5/8 x 16 Ga. (STD 551025)
24A	5527R	Muffler Guard Bracket	83	1004P	Lockwasher 3/8 (STD551137)
25	2689R	Bearing	84	501P	Hex Nut 3/8-16 (STD541037)
26	634A523	Battery Support & Idler Support w/Bearings	85	1605H	Locknut 1/4-20
26A	4815R	Battery Heat Shield	86	1006P	Lockwasher No. 10 (STD551110)
27	634A625	Engine 16 H. P. (Twin Cyl) Model BF-MS2666C	87	505P	Hex Mach. Screw Nut No. 10-24 (STD541010)
27A	4394R	Grill Brace	88	1003P	Lockwasher 5/16 (STD551137)
28	9396E	Sq. Key 1/4 x 2	89	5394H	Locknut 3/8-16
29	634A104	Engine Pulley w/Set Screws	90	1001P	Lockwasher 7/16
30	634A527	Belt Guide Weldment	A	503P	Hex Nut 1/4-20 (STD541025)
31	8704H1	Spacer	B	3027P	Hex Bolt 3/8-16 x 1-1/2 (STD 523715)
32	9011H	Belt Retainer	C	3023P	Hex Bolt 3/8-16 x 1 (STD523710)
33	4939M	Retainer Spring	D	3008P	Hex Bolt 5/16-18 x 1/2
34	347H	Huglock Nut 1/4-20	E	3253P	Slotted Pan Hd. Mach. Screw 1/4-20 x 1/2 (STD512505)
35	8238H	Split Spacer	F	5554P	Phillips Pan Hd. Thrd. Cutting Screw No. 10-16 x 1/2
36	634A659	Belt guard weldment	G	503P	Hex Nut 1/4-20 (STD541025)
37	3154P	Slotted Fillister Hd. Mach. Screw 1/4-20 x 2 1/4	H	5564P	Phillips Pan Hd. Thrd. Cutting Screw No. 10-24 x 1/2 (STD511005)
38	2672R	Grill Screen-Upper	J	3267P	Hex Bolt 1/4-20 x 1-1/2 H. T.
39	2676R	Grill-Upper	K	3122P	Slotted Truss Hd. Mach. Screw No. 10-24 x 3/8 (STD511003)
40	3652R	Decal-Grill Top (SS/16)	L	505P	Hex Mach. Screw Nut No. 10-24 (STD541010)
41	3653R	Decal-Grill (Twin)	M	3010P	Hex Bolt 5/16-18 x 3/4 (STD523107)
42	2678R	Grill Side	N	3012P	Hex Bolt 5/16-18 x 1 1/4 (STD523112)
42A	4171R	Insulated Clip	O	17P	Carriage Bolt 5/16-18 x 1 (STD533110)
43	2673R	Grill Screen-R. H.	P	3027P	Hex Bolt 3/8-16 x 1-1/2 (STD523715)
44	2677R	Grill-Lower	Q	3022P	Hex Bolt 3/8-16 x 7/8
45	5626R	Grill Stop	R	501P	Hex Nut 3/8-16 (STD541037)
46	2794R	Grill Screen-Center	S	3023P	Hex Bolt 3/8-16 x 1 (STD523710)
47	2674R	Grill Screen-L. H.	T	5557P	Hex Washer Hd. Thrd. Cutting Screw 1/4-20 x 1/2
48	634A28	Front Channel Cover & Weld Bolts	U	3025P	Hex Bolt 3/8-16 x 1 1/4 (STD523712)
49	6485H	Hinge	V	4514P	Hex Socket Hdless Set Screw 5/16-18 x 5/8
50	2752R	Front Channel Cover Support	W	28P	Carriage Bolt 3/8-16 x 1 (STD533710)
51	2665R	Grill Spacer	X	3021P	Hex Bolt 3/8-16 x 3/4 (STD523707)
52	634A531	Engine Mount Assy.	Y	3035P	Hex Bolt 7/16-14 x 1 1/4
53	634A543	Chassis Assy W Bearings	Z	53P	Carriage Bolt No. 10-24 x 1/2
54	2655R	Cover R. H.			
55	634A518	Idler Bracket Weldment			
56	2670R	Bracket-Battery Support R. H.			
57	634A355	Hanger Weldment L. H. Front			

# repair parts

SS/16 TRACTOR--MODEL NUMBER 917.25752

## FRONT AXLE



another free manual from [www.seartractormanuals.com](http://www.seartractormanuals.com)

SS/16 TRACTOR--MODEL NUMBER 917.25752

## FRONT AXLE

KEY NO.	PART NO.	DESCRIPTION
1	1528P	Washer 13/16 x 1/4 x 14 Ga.
2	1309H	Bearing
3	634A521	Front Axle with Bearings (Inc. Key No. 2)
4	4764H	Huglock Nut 5/8-11
5	5000P	E-Ring
6	634A277	Spindle Complete-R.H.
7	9040H	Flanged Bearing
8	5810H	Gripco Locknut 3/8-24
9	1505P	Washer 9/32 x 1/2 x 14 Ga.
10	6855M	Grease Fitting
11	2699R	Hex Bolt
12	634A278	Spindle Complete-L.H.
13	1808R	Tie Rod and Joints
14	1552P	Washer 49/64 x 1/4 x 16 Ga.
15	634A98	Steering Bell Crank Weldment
16	9318H	Drag Link and Joints
17	6842M	Grease Fitting
18	634A95	Steering Gear Sector and Arm
19	2169R	Front Tire-Tubeless
20	795R	Tire Valve
21	2892R	Front Wheel
22	1562P	Washer 25/32 x 1/2 x 16 Ga.
23	8785H	Wear Washer
24	4831H	Elastic Nut 3/4-16
25	8763H	Dust Cap-Outer
26	3008P	Hex Bolt 5/16-18 x 1/2
27	8798H	Roll Pin 5/32 x 1 (STD571510)
28	6856M	Grease Fitting 1/4-28 Taper Thread
A	2557R	Amdex No. 1 E.P. Grease (Not furnished with your Tractor)

74.78.  
S+TAX  
10.99  
EXPRESS

71991  
SOURCE 917  
ALTR  
37.99  
6716  
571-42

9671 R

PARTS 800-366 72 78  
871-3000

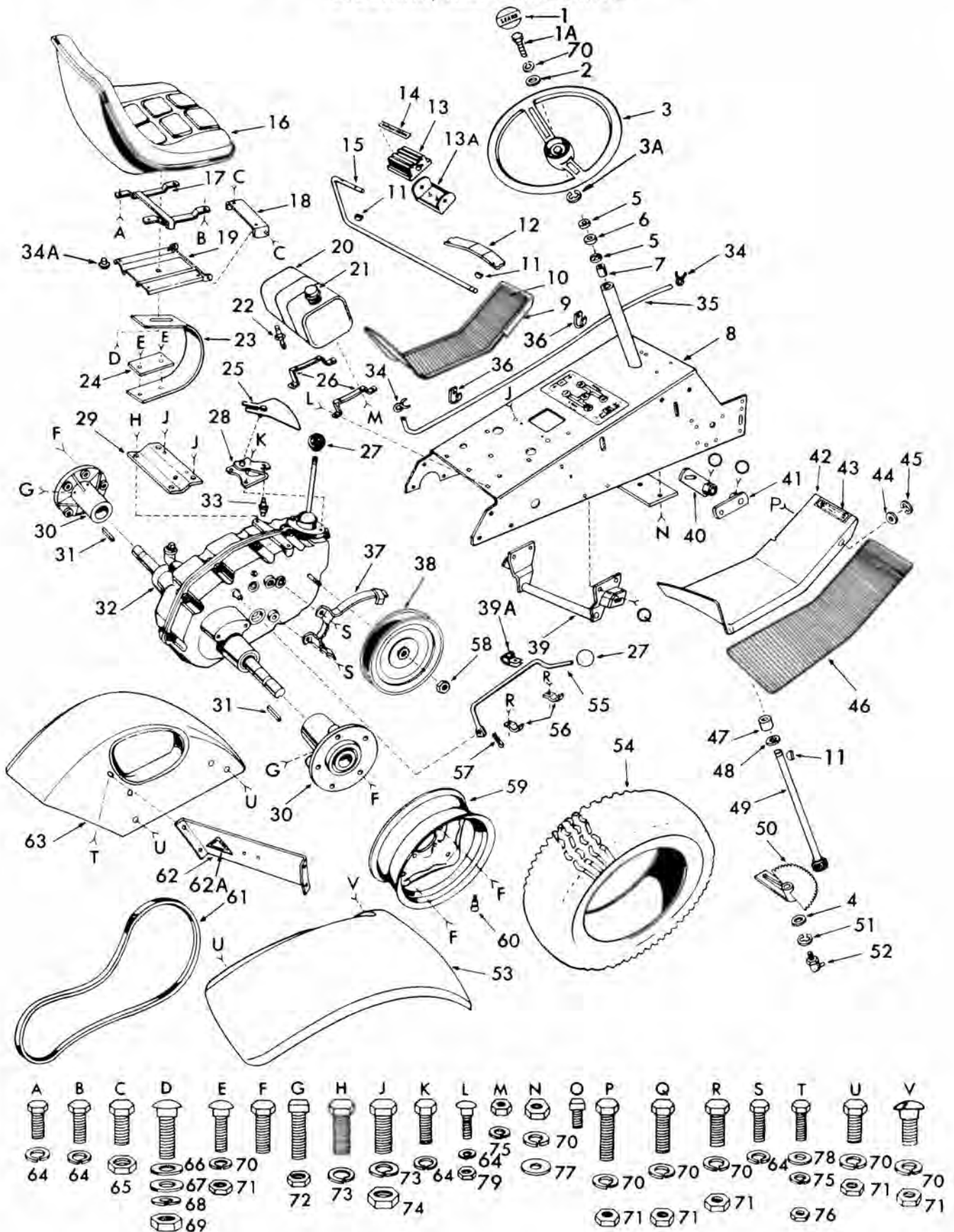
800-423-7247  
SERV - 871-3000  
PARTS - 871-4296  
871-3466  
WPM

another free manual from [www.searstractormanuals.com](http://www.searstractormanuals.com)

# repair parts

SS/16 TRACTOR--MODEL NUMBER 917.25752  
STEERING, AND FINAL DRIVE

another free manual from [www.seartractormanuals.com](http://www.seartractormanuals.com)



# repair parts

SS/16 TRACTOR--MODEL NUMBER 917.25752

## STEERING, AND FINAL DRIVE

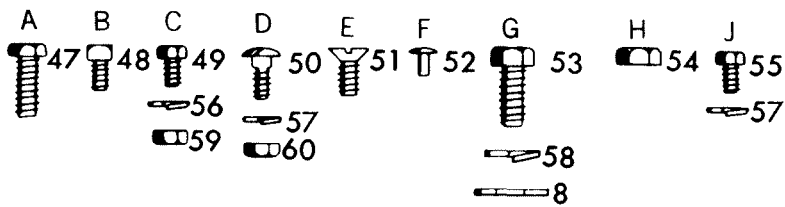
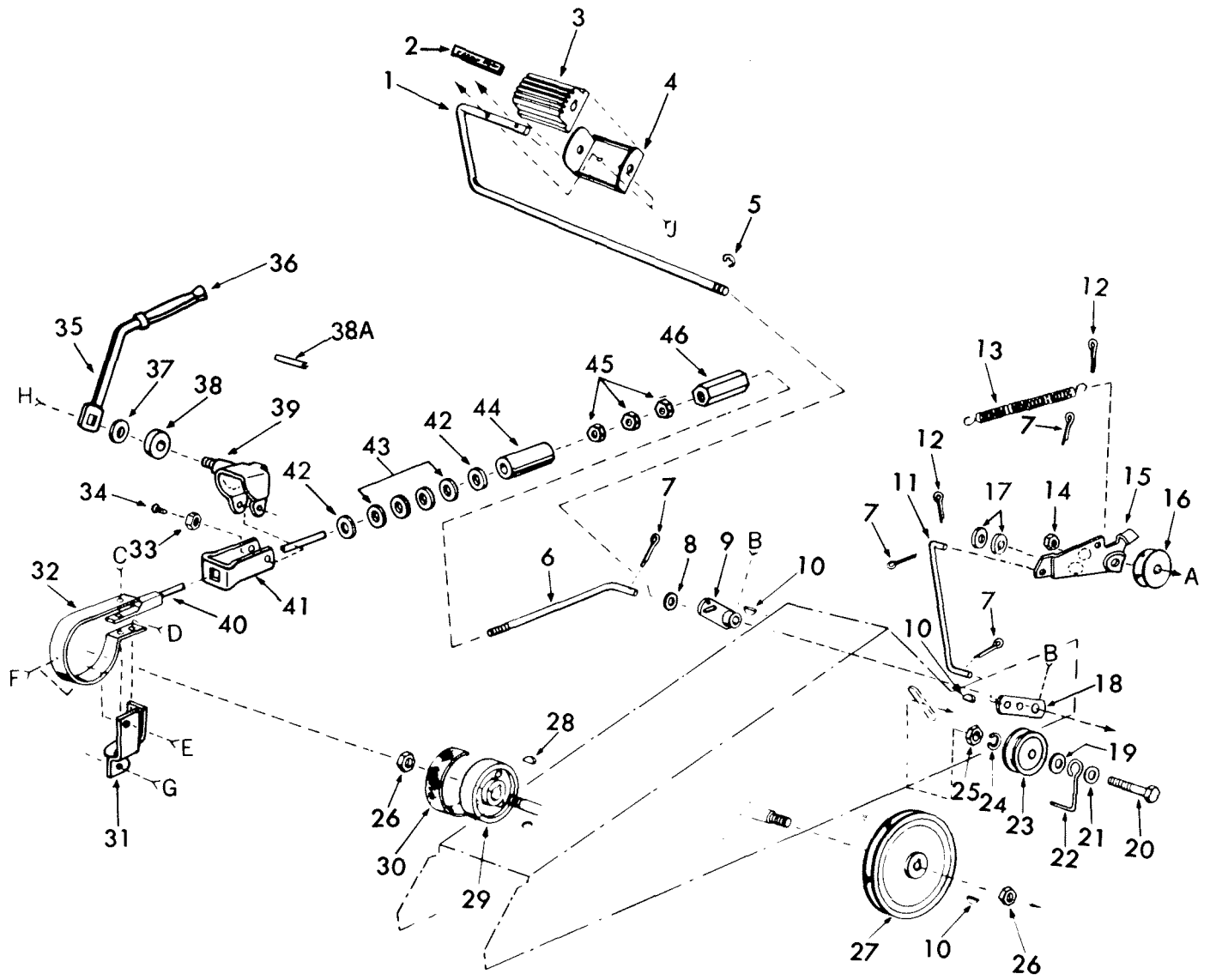
KEY NO.	PART NO.	DESCRIPTION	KEY NO.	PART NO.	DESCRIPTION
1	2701R	Steering Wheel Cap	51	5000P	E-Ring
1A	3023P	Hex Bolt 3/8-16x1 (STD 523710)	52	6842M	Grease Fitting
2	1559P	Washer 7/16x1x10 Ga.	53	2657R	Fender R.H.
3	4820R	Steering Wheel	54	794R	Rear Tire 23x9.50-12
3A	5003P	E-Ring	55	6477H	Range Shift Rod
4	1552P	Washer 49/64x1 1/4x16 Ga.	56	6442H	Shift Rod Bracket
5	9007H	Cap	57	2511P	Cotter Pin 3/16x1
6	5949H	Rubber Bushing	58	9204H	Locknut 1/2-20
7	6468H	Bearing	59	2893R	Rear Wheel
8	634A543	Chassis Ass'y w/Bearings	60	795R	Tire Valve
9	634A281	Foot Rest w/Bolts L.H.	61	2692R	V-Belt (Ground Drive)
10	8787H	Foot Rest Pad L.H.	62	2656R	Bracket-Tail Light
11	9858M1	Woodruff Key 3/16x5/8 (STD 580020)	62A	3239R	Safety Std. Sticker
12	9008H	Spring	63	2658R	Fender L.H.
13	1062R	Fppt Pedal	64	1003P	Lockwasher 5/16 (STD551131)
13A	8765H	Foot Pedal Bracket	65	5394H	Locknut 3/8-16
14	1244R	Foot Pedal Plate	66	1578P	Washer 3/4 x 1-1/8 x 11 Ga.
15	2648R	Foot Pedal Shaft	67	1560P	Washer 17/32x1 1/2x11 Ga.
16	4823R	Seat	68	1000P	Lockwasher 1/2 (STD551050)
17	634A532	Seat Bracket Weldment	69	502P	Hex Nut 1/2-13 (STD541050)
18	2663R	Bracket Seat Pivot	70	1004P	Lockwasher 3/8 (STD551137)
19	634A533	Seat Plate Weldment	71	501P	Hex Nut 3/8-16 (STD541037)
20	2693R	Fuel Tank	72	508P	Hex Jam Nut 3/8-16 (STD 541237)
21	9769H	Fuel Gauge	73	1001P	Lockwasher 7/16 (STD551143)
22	815R	Fuel Line Fitting	74	500P	Hex Nut 7/16-14 (STD541043)
23	5404R	Seat Spring	75	1002P	Lockwasher 1/4 (STD551125)
24	8141H	Seat Spring Reinforcement	76	503P	Hex Nut 1/4-20 (STD541025)
25	634A534	Neutral Safety Arm Ass'y	77	1513P	Washer 13/32 x 13/16 x 16 Ga. (STD551037)
26	2650R	Bracket-Fuel Tank	78	1506P	Washer 9/32x5/8x16 Ga. (STD 551025)
27	6364H	Control Knob	79	504P	Hex Nut 5/16-18 (STD541031)
28	634A535	Neutral Safety Support Ass'y	A	3010P	Hex Bolt 5/16-18x3/4 (STD 523107)
29	6459H	Transmission Bracket	B	3159P	Hex Bolt 5/16-18x7/8 (STD 523108)
30	8778H	Wheel Hub-Rear	C	3022P	Hex Bolt 3/8-16x7/8
31	8327H	Sq. Key 1/4x3	D	25P	Carriage Bolt 1/2-13x1 1/4 H. T.
32	633A38	Transmission (Transaxle)	E	20P	Carriage Bolt 3/8-16x1 (STD 533710)
33	2329R	Less Brake Drum	F	1304H	Hub Bolt
34	9772H	Neutral Safety Switch	G	4524P	Sq. Hd. Set Screw 3/8-16x1 1/4
34A	5424R	Hose Clamp	H	3034P	Hex Bolt 7/16-14x1
35	2694R	Recessed Bumper	J	3034P	Hex Bolt 7/16-14x1
36	2751R	Fuel Line	K	3010P	Hex Bolt 5/16-18x3/4 (STD 523107)
37	634A22A	Clip-Fuel Line	L	16P	Carriage Bolt 5/16-18x3/4 (STD 523107)
38	6461H2	Belt Guide	M	503P	Hex Nut 1/4-20 (STD541025)
39	634A362	Transmission (Transaxle)	N	501P	Hex Nut 3/8-16 (STD541037)
39A	2521R	Pulley	O	4501P	Sq. Hd. Set Screw C. P. 5/16-18x1/2
40	634A33A	Hanger-Rear	P	3025P	Hex Bolt 3/8-16x1 1/4 (STD523712)
41	626A31A	Insulated Clip	Q	3023P	Hex Bolt 3/8-16x1 (STD523710)
42	634A282	Brake Arm Ass'y	R	3022P	Hex Bolt 3/8-16x7/8
43	2267R	Steering Arm Ass'y	S	3010P	Hex Bolt 5/16-18x3/4 (STD523107)
44	1527P	Foot Rest w/Bolts R.H.	T	3003P	Hex Bolt 1/4-20x3/4 (STD522507)
45	5001P	Decal (Attach. Clutch)	U	3021P	Hex Bolt 3/8-16x3/4 (STD523707)
46	8788H	Washer 21/32x7/8x16 Ga.	V	19P	Carriage Bolt 3/8-16x3/4 (STD 533707)
47	4766H	E-Ring	---	4824R	Owners Manual
48	1553P	Foot Rest Pad R.H.			
49	634A626	Bearing			
50	634A95	Washer 57/64x1 1/4x16 Ga.			
		Steering Shaft & Pinion			
		Steering Gear Sector & Arm			

STD 325830  
5/8 x 83

# repair parts

SS/16 TRACTOR--MODEL NUMBER 917.25752

## BRAKE, AND CLUTCH





# repair parts

SS/16 TRACTOR--MODEL NUMBER 917.25752

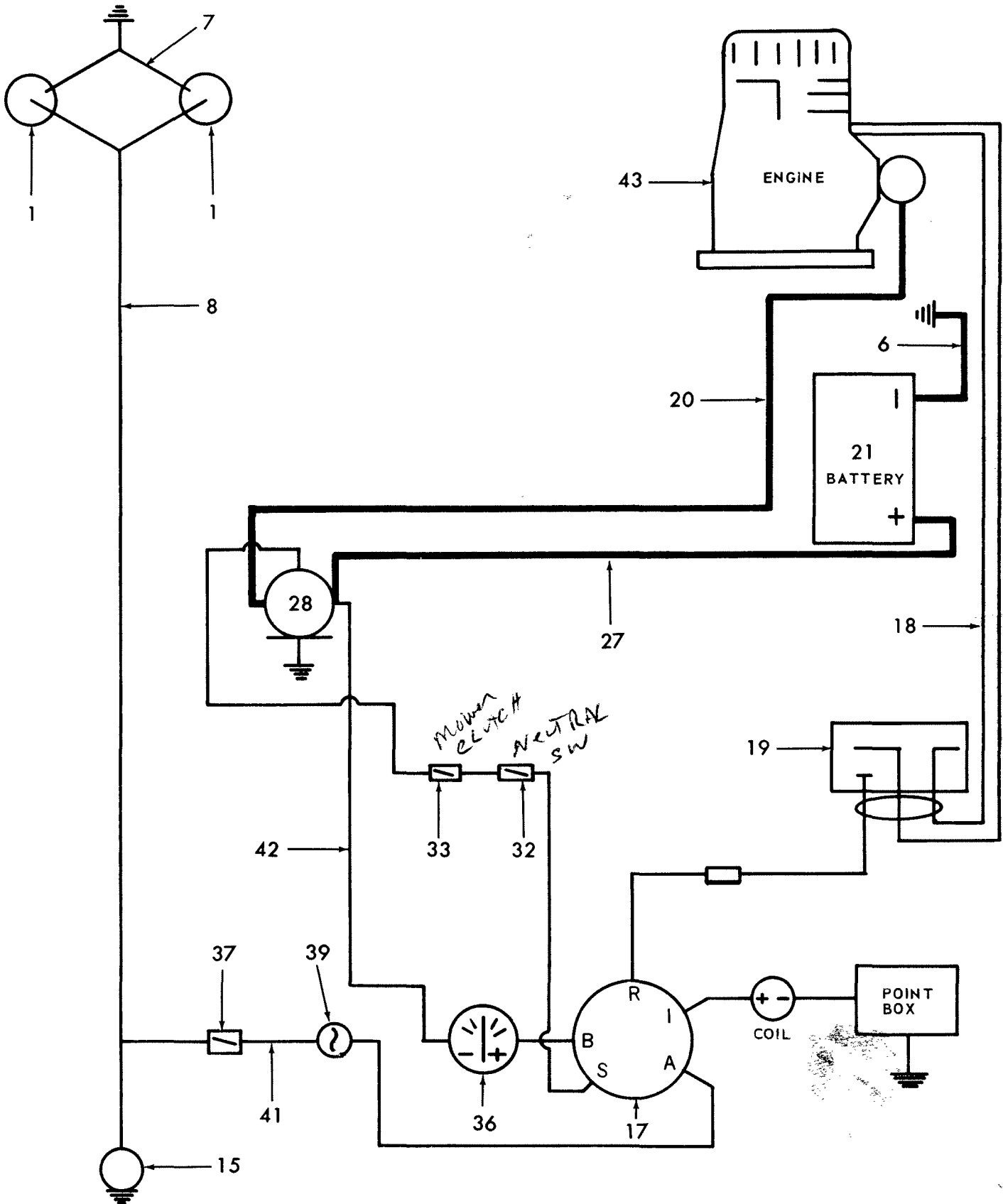
## BRAKE, AND CLUTCH

KEY NO.	PART NO.	DESCRIPTION	KEY NO.	PART NO.	DESCRIPTION
1	2648R	Foot Pedal Shaft	33	9071H	Huglock Nut 1/4-28
2	1244R	Foot Pedal Plate	34	3244P	Hex Bolt 1/4-28 x 5/8 H.T.
3	1062R	Foot Pedal	35	626A341	Parking Lock Handle Assembly
4	8765H	Foot Pedal Bracket	36	4379H	Handle Grip
5	5001P	E-Ring	37	5999H	Spring Washer
6	2202R	Brake Rod-Front	38	2221R	Parking Brake Spacer
7	2505P	Cotter Pin 1/8 x 3/4	38A	175H	Roll Pin
8	1513P	Washer 13/32 x 13/16 x 16 Ga.	39	634A489	Lock Bracket Assembly
9	634A33A	Brake Arm Assembly	40	626A365	Brake Rod Assembly
10	9858M1	Woodruff Key 3/16 x 5/8	41	2197R	Parking Brake Yoke
11	2645R	Clutch Rod	42	1557P	Washer 13/32 x 13/16 x 11 Ga.
12	2514P	Cotter Pin 1/4 x 1	43	2263R	Spring Washer
13	6486H	Spring	44	2201R	Bushing
14	548P	Hex Jam Lock Nut 3/8-24 UNF	45	501P	Hex Nut 3/8-16 UNC
15	634A518	Idler Bracket Weldment	46	6417H	Turnbuckle
16	634A86	Idler, Bolt and Nut (Inc. Key No's. 14 and 47)	47	3052P	Hex Bolt 3/8-24 UNF x 1 Pltd.
17	1545P	Washer 17/32 x 1 x 16 Ga.	48	4501P	Sq. Hd. Set Screw C.P. 5/16-18 x 1/2
18	626A31A	Steering Arm Assembly	49	3159P	Hex Bolt 5/16-18 x 7/8
19	1520P	Washer .469 I.D. x 1-1/8 x 11 Ga.	50	11P	Sq. Neck Carriage Bolt 1/4-20 x 5/8
20	3262P	Hex Bolt 7/16-14 x 2 1/2	51	3164P	Flat Hd. Machine Screw Undercut 3/8-16 x 3/4
21	1518P	Washer 15/32 x 11/16 x 16 Ga.	52	2004P	Rivet, Brass Tubular #4 x 1/4
22	6479H1	Belt Guide Finger	53	3022P	Hex Bolt 3/8-16 x 7/8
23	6635H	Flat Idler	54	511P	Nylock Nut 3/8-24 UNF
24	1001P	Lockwasher 7/16	55	3003P	Hex Bolt 1/4-20 UNC x 3/4
25	500P	Hex Nut 7/16-14	56	1003P	Lockwasher 5/16
26	9204H	Lock Nut 1/2-20 UNF	57	1002P	Lockwasher 1/4
27	6461H2	Transmission (Transaxle) Pulley	58	1004P	Lockwasher 3/8
28	2228M	Woodruff Key 3/16 x 3/4	59	1685H	Locknut 5/16-18
29	7648H1	Brake Drum	60	503P	Hex Nut 1/4-20
30	7645H	Brake Lining			
31	634A168	Brake Bracket Assembly			
32	634A167	Brake Band and Lining			

# repair parts

SS/16 TRACTOR--MODEL NUMBER 917.25752

## WIRING DIAGRAM

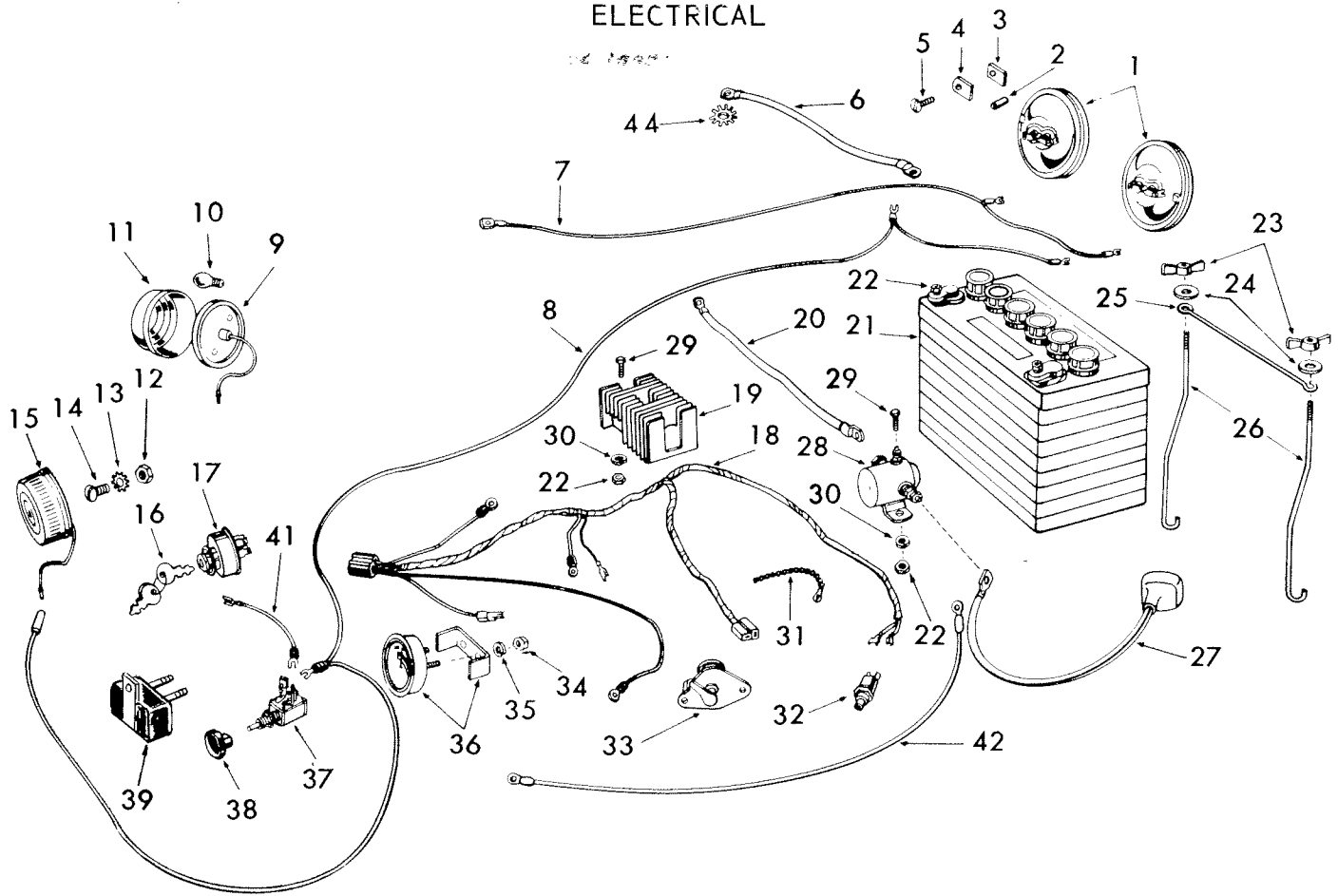


another free manual from [www.searstractormanuals.com](http://www.searstractormanuals.com)

# repair parts

SS/16 TRACTOR--MODEL NUMBER 917.25752

## ELECTRICAL



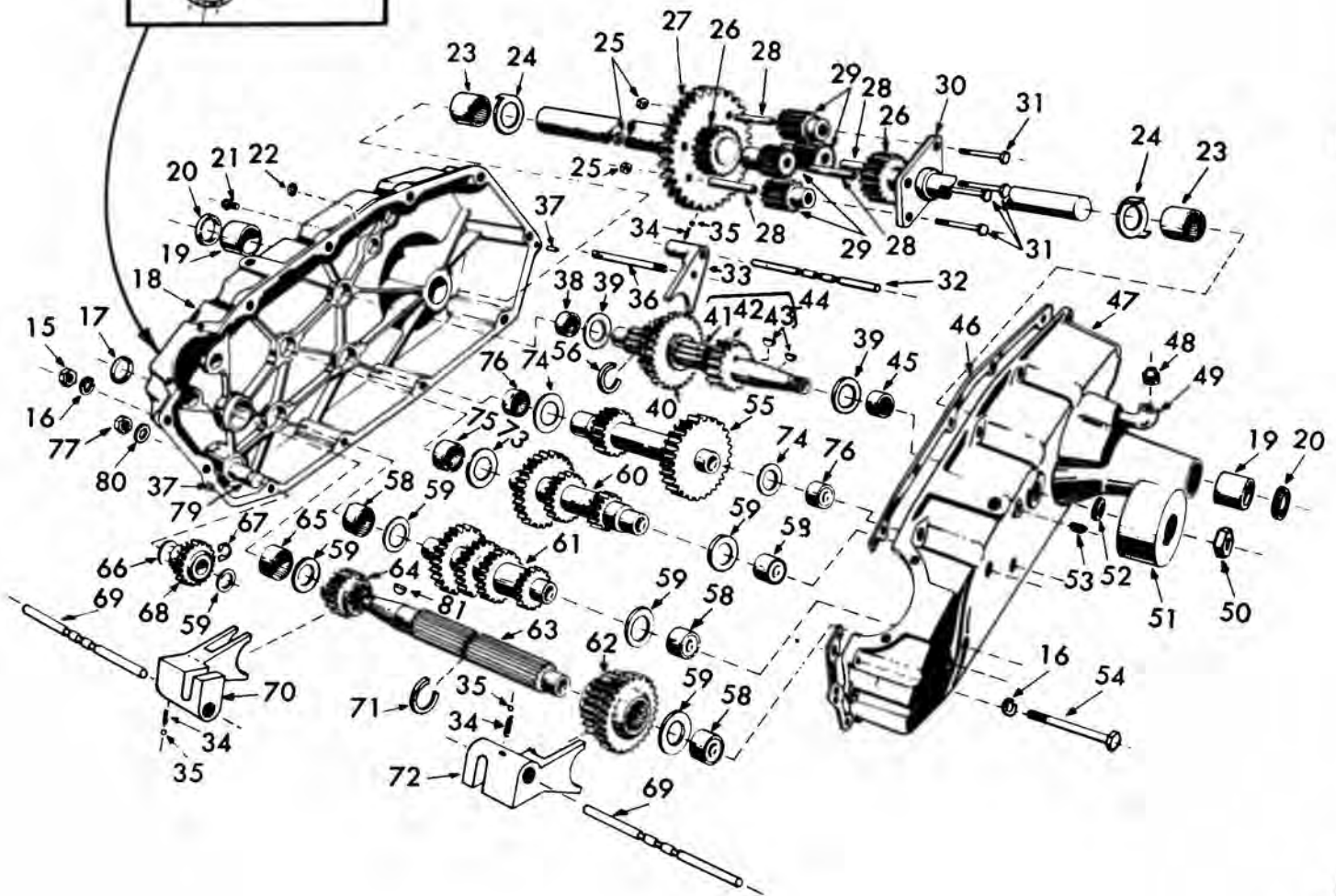
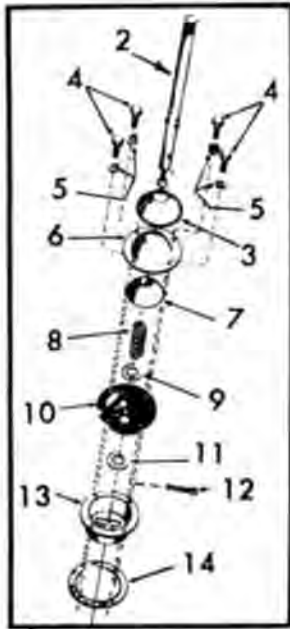
KEY NO.	PART NO.	DESCRIPTION	KEY NO.	PART NO.	DESCRIPTION
1	7034H	Headlight	23	3748M	Wing Nut 1/4-20
2	9197H	Hose (On Grill-Headlight Locating Pins)	24	1509P	Washer 5/16 x 3/4 x 16 Ga.
3	8784H1	Rubber Spacer	25	5110H	Battery Clamp
4	8768H	Mounting Clip	26	2685R	Battery Bolt
5	5554P	Phillips Pan Hd. Thread Cutting Screw No. 10-16 x 1/2	27	634A490	Battery Cable & Cover (Positive to Solenoid)
6	2753R	Battery Cable (Neg. To Ground)	28	103R	Solenoid
7	2894R	Ground Wire-Headlight	29	3004P	Hex Bolt 1/4-20 x 1 (STD522510)
8	3773R	Lead Wire (Light Switch To Headlight & Tail Light)	30	1002P	Lockwasher 1/4 (STD551125)
9	8293H	Housing (Tail Light)	31	2777R	Tie
10	8291H	Bulb No. 1895 2 Candle Power (STD373895)	32	2329R	Neutral Safety Switch
11	8292H	Lens (Tail Light)	33	2249R	Safety Switch (Mower Clutch)
12	505P	Hex Mach. Screw Nut No. 10-24 (STD541010)	34	543P	Hex Nut No. 10-32 (STD541110)
13	1404P	External Tooth Lockwasher No. 10	35	1006P	Lockwasher No. 10 (STD551110)
14	3073P	Slotted, Truss Hd. Mach. Screw No. 10-24 x 1/2 (STD511005)	36	5212R	Ammeter
15	8089H	Tail Light	37	5735H	Light Switch (Includes Item No. 38)
16	7552H	Key Set	38	9267H	Knob Light Switch
17	2683R	Ignition Switch (Includes Item No. 16)	39	4853R	Circuit Breaker
18	4854R	Ignition Wire Harness	41	5439R	Electrical Wire (Fuse to Light Switch)
19	2684R	Regulator	42	2688R	Electrical Wire (Solenoid to Ammeter)
20	2226R	Battery Cable (Solenoid To Starter)	43	634A625	Engine 16 H. P. (Twin Cyl.) Model BF-MS2666C
21	5111H3	Battery	44	1402P	External Lockwasher
22	503P	Hex Nut 1/4-20 (STD541025)			

*Large 1299 pva not scope net*

# repair parts

SS/16 TRACTOR--MODEL NUMBER 917.25752

## TRANSAXLE



another free manual from [www.searstractormanuals.com](http://www.searstractormanuals.com)

# repair parts

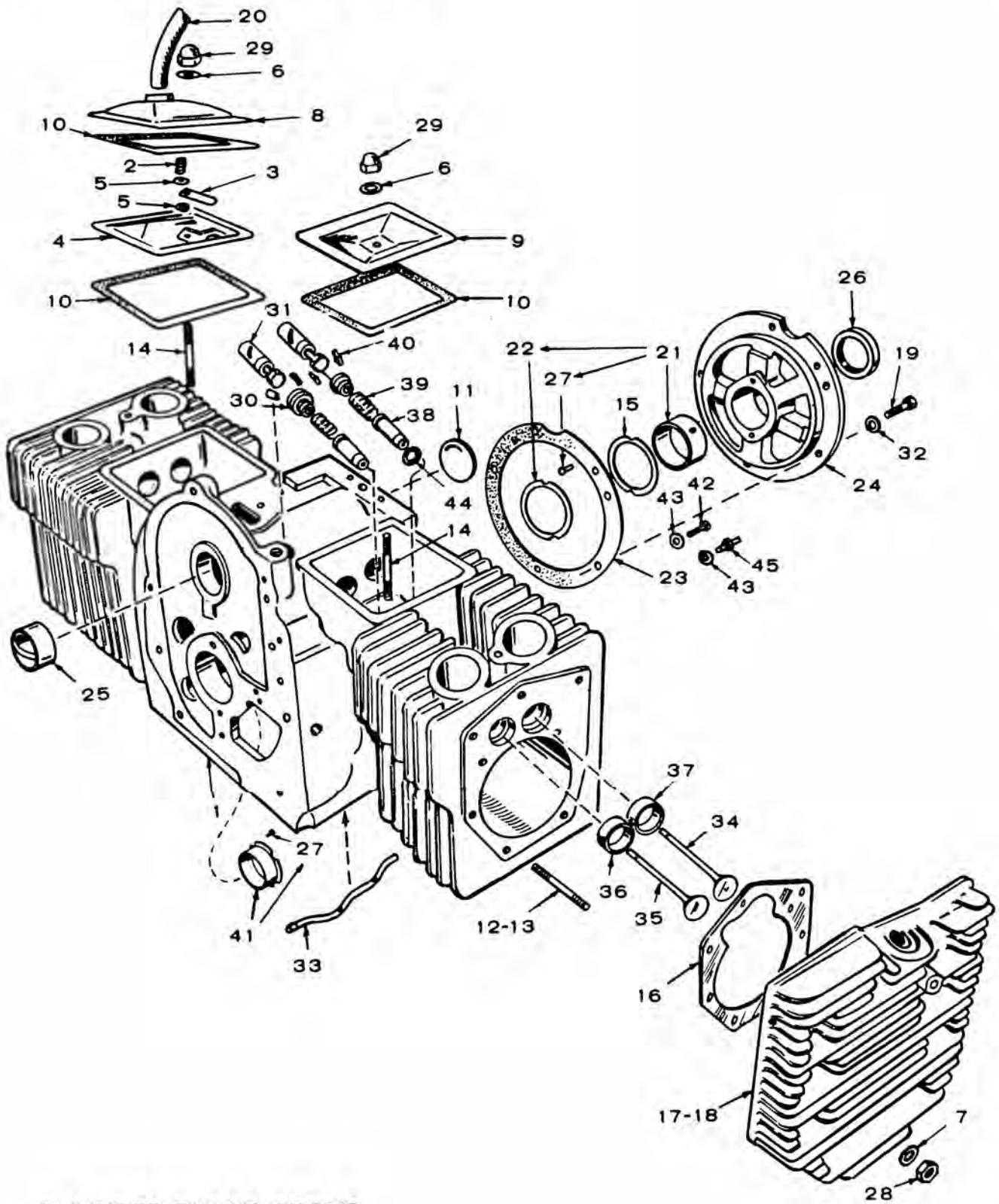
## SS/16 TRACTOR--MODEL NUMBER 917.25752 TRANSAXLE

KEY NO.	PART NO.	DESCRIPTION	KEY NO.	PART NO.	DESCRIPTION
1.	633A38	Transaxle Assembly less Brake Drum	38.	8118M	Needle Bearing
2.	6213H1	Gear Shift lever straight	39.	6266H	Thrust Bearing Race
3.	4869H1	Gear Shift Cap	40.	633A14	High-Low Range Gears and Hub
4.	3010P	Hex Bolt 5/16-18 x 3/4 (STD 523107)	41.	6221H	3rd Reduction Gear Shaft
5.	1003P	Lockwasher 5/16 (STD 551131)	42.	8659H	4th Reduction Pinion
6.	6254H1	Gear Shift Ball Cover	43.	2228M	Woodruff Key 3/16 x 3/4 H.T.
7.	6259H	Shift Lever Guide Ball	44.	633A32	3rd Reduction Shaft and Gear
8.	4924H	Spring	45.	8119M	Needle Bearing
9.	1544P	Washer 15/32 x 59/64 x 16 Ga.	46.	8275H	Gasket-Gearcase
10.	6273H	Shift Mechanism Seal	47.	633A27	Gear Case and Bearings-L.H.
11.	1525P	Washer 9/16 x 15/16 x 11 Ga.	48.	4002P	Pipe Plug 1/2-14 N.P.T.
12.	2505P	Cotter 1/8 x 3/4 (STD 561210)	49.	4003P	90 Street Elbow 1/2-14 N.P.T.
13.	633A19	Gear Shift Gate and Reinforcement	50.	9204H	Lock Nut (STD 541550)
14.	6274H	Gasket-Shift Ball Cover	51.	7648H1	Brake Drum
15.	504P	Hex Nut 5/16-18 (STD 541031)	52.	6271H	Oil Seal
16.	1007P	Lockwasher 5/16 Extra Heavy (STD 551131)	53.	4001P	Pipe Plug 1/4-18 N.P.T.
17.	6270H	Oil Seal	54.	3087P	Hex Bolt 5/16-18 x 1-1/2 Grade 5 H.T.
18.	633A28A	Gear Case, Reverse Idler Shaft and Bearings R.H.	55.	633A33	4th Reduction Shaft and Gears
19.	992R1	Sintered Iron Bearing	56.	6276H	Snap Ring
20.	4910H	Oil Seal	57.	4895H	Needle Bearing
21.	5855H	Pressure Relief Valve	58.	1370H	Thrust Bearing Race
22.	6269H	Oil Seal	59.	633A31	2nd Reduction Shaft and Gears
23.	3039R	Needle Bearing	60.	633A30	Speed Change Gears and Shaft
24.	6256H	Axle Thrust Washer	61.	633A11	Intermediate and High Speed Pinions
25.	7810H	Centerlock Gripco Nut 3/8-24 (STD 541537)	62.	6218H	Input Shaft
26.	633A34	Axle Shaft and Gear	63.	6231H	Low Speed Pinion
27.	8662H	Final Drive Gear	64.	4894H	Needle Bearing
28.	6252H1	Bushing-Differential Pinion	65.	7392H	Reverse Idler Thrust Washer
29.	8657H	Differential Pinion	66.	5001P	E-Ring
30.	6263H1	Differential Carrier	67.	1153R	Reverse Idler Gear
31.	3056P	Hex Bolt 3/8-24 x 3/4 1" Thread Length	68.	6216H	Shift Fork Shaft
32.	6217H	High-Low Range Shift Fork Shaft	69.	6262H	Shift Fork-R.H.
33.	6260H	Shift Fork, High-Low Range	70.	4926H	Snap Ring-Crescent Type
34.	6272H	Spring-Shift Fork Detent	71.	4219R	Shift Fork-L.H.
35.	7392M	Steel Ball	72.	7395H	Thrust Bearing Race
36.	6215H	High-Low Range Shift Shaft	73.	7396H	Thrust Bearing Race
37.	6277H	Dowel Pin	74.	7398H	Needle Bearing
			75.	8117M	Needle Bearing
			76.	541P	Hex Jam Nut 7/16-20
			77.	7384H	Reverse Idler Shaft
			78.	1167R	Sealing Washer
			79.	9858M1	Woodruff Key (STD 580020)
			80.		
			81.		

# repair parts

SS/16 TRACTOR--MODEL NUMBER 917.25752

ONAN ENGINE MODEL NUMBER BF-MS2666C



CYLINDER BLOCK GROUP

# repair parts

SS/16 TRACTOR--MODEL NUMBER 917.25752

ONAN ENGINE MODEL NUMBER BF-MS 2666C

Cylinder Block Group

REF. NO.	PART NO.	PART DESCRIPTION
1	110-1943	Cylinder Block Assembly
2	123-1174	Spring
3	123-1175	Valve
4	123-1173	Baffle
5	526-0018	Flat Washer (1/4" Steel)
6	526-0063	Flat Washer (1/4" Copper)
7	526-0122	Flat Washer (5/16" Steel)
8	110-1878	Cover (L.H.)
9	110-1879	Cover (R.H.)
10	110-1921	Gasket
11	517-0048	*Expansion Plug
12	520-0424	Stud (5/16" x 2-5/16")
13	520-0759	Stud (5/16" x 2-1/16")
14	520-0757	Stud (1/4" x 2-1/16")
15	104-0776	*Shim (.005")
16	110-1920	Gasket
17	110-1924	Cylinder Head (R.H.)
18	110-1925	Cylinder Head (L.H.)
19	800-0051	*Hex Cap Screw (3/8-16 x 1 1/4")
20	123-1176	Breather Tube
21	REAR BEARING KIT	
	101-0420	*Standard
	101-0420-02	.002" Undersize
22	104-0575	*Bearing Thrust Washer
23	101-0415	*Gasket
24	101-0407	*Bearing Plate (Less Bearing)
25	101-0367	*Camshaft Bearing (Precision)
26	509-0041	*Oil Seal
27	516-0072	*Stop Pin
28	110-0445	Hex Nut (5/16-24)
29	866-0001	Acorn Nut (1/4-20)
30	110-0893	Retainer
31	115-0006	Tappet
32	850-0050	*Lock Washer (3/8")
33	120-0706	*Oil Tube
34	110-1808	Intake Valve
35	110-1809	Exhaust Valve
36	EXHAUST VALVE SEAT INSERT	
	110-0245	Standard
	110-0245-02	.002" Oversize
37	INTAKE VALVE SEAT INSERT	
	110-0197	*Standard
	110-0197-02	.002" Oversize
38	110-1935	*Valve Guide
39	110-0539	Valve Spring
40	110-0639	Retaining Lock
41	FRONT BEARING KIT	
	101-0432	*Standard
	101-0432-02	.002" Undersize
42	806-0027	Hex Head Cap Screw (3/8-16 x 3/4")
43	526-0066	Flat Washer (3/8" Copper)
44	110-0068	Gasket (Used with Intake Valve Guide Only)
45	520-0820	Stud (3/8-16)

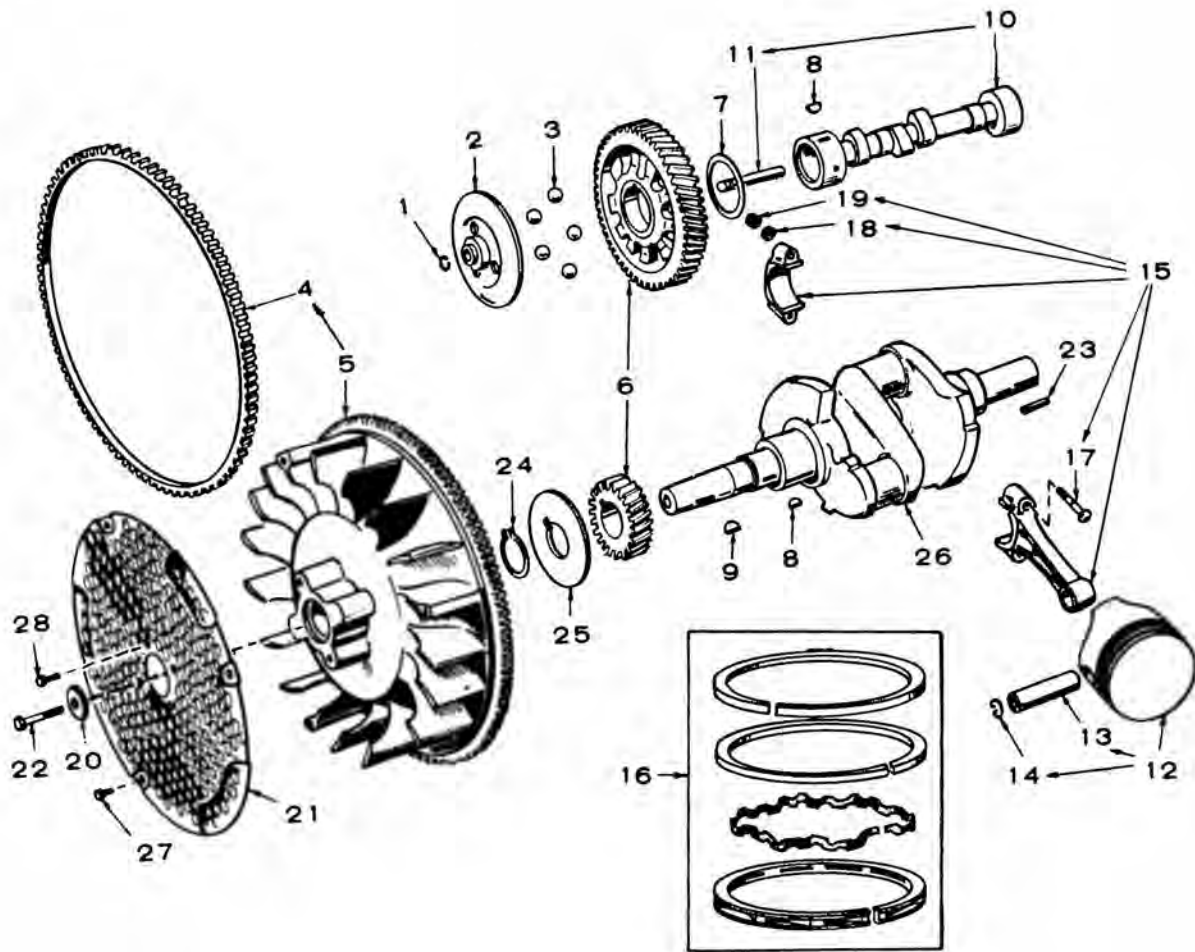
\*-Included in Cylinder Block Assembly.

-Use one only with rear bearing on units with flange type front bearing.

# repair parts

SS/16 TRACTOR--MODEL NUMBER 917.25752

ONAN ENGINE MODEL NUMBER BF-MS2666C



CRANKSHAFT, FLYWHEEL, CAMSHAFT  
AND PISTON GROUP

another free manual from [www.seartractormanuals.com](http://www.seartractormanuals.com)



# repair parts

SS/16 TRACTOR--MODEL NUMBER 917.25752

ONAN ENGINE MODEL NUMBER BF-MS2666C

Crankshaft, Flywheel, Camshaft and Piston Group

REF. NO.	PART NO.	PART DESCRIPTION
1	150-0078	Snap Ring
2	150-0612	Governor Cup
3	510-0015	Fly Ball
4	104-0779	Ring Gear
5	134-2432	Flywheel Assembly (Includes Ring Gear & Rotor)
6	105-0353	Timing Gear Set (Includes Camshaft and Crankshaft Gears)
7	105-0004	Thrust Washer
8	515-0001	Woodruff Key (1/8" x 1/2")
9	515-0002	Woodruff Key (3/16" x 3/4")
10	105-0388	Camshaft and Center Pin Assembly
11	150-0075	Center Pin
12	PISTON AND PIN (Includes Retaining Rings)	
	112-0134	Standard
	112-0123-05	.005" Oversize
	112-0123-10	.010" Oversize
	112-0123-20	.020" Oversize
	112-0123-30	.030" Oversize
	112-0123-40	.040" Oversize
13	PISTON PIN	
	112-0122	Standard
	112-0122-02	.002" Oversize
14	518-0311	Retaining Ring
15	114-0225	Rod Assembly
16	RING SET	
	113-0174	Standard
	113-0159-05	.005" Oversize
	113-0159-10	.010" Oversize
	113-0159-20	.020" Oversize
	113-0159-30	.030" Oversize
	113-0159-40	.040" Oversize
17	114-0228	Bolt (Special)
18	526-0017	Flat Washer (Special)
19	870-0277	Locking Nut (5/16-24)
20	850-0055	Lock Washer (7/16")
21	134-2384	Guard
22	104-0170	Hex Head Cap Screw (7/16-14 x 4")
23	515-0103	Key (1/4" x 1/4" x 2")
24	518-0014	Retaining Ring
25	104-0043	Washer
26	104-0763	Crankshaft
27	821-0010	Locking Screw (1/4-20 x 1/2")
28	821-0014	Locking Screw (5/16-18 x 1/2")

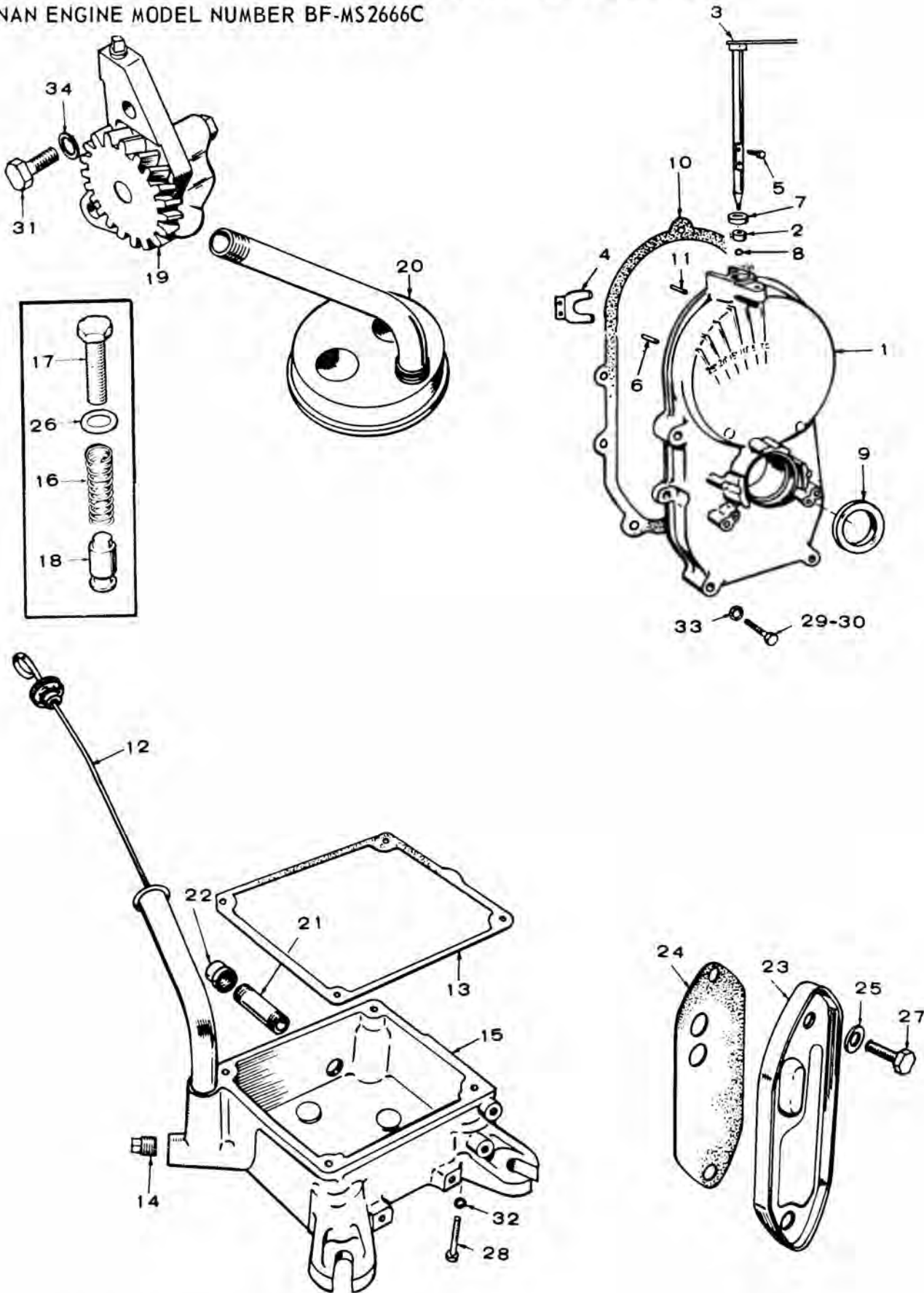
another free manual from [www.searstractormanuals.com](http://www.searstractormanuals.com)

*how to  
Governor's  
COMMING'S  
parts*

# repair parts

SS/16 TRACTOR--MODEL NUMBER 917.25752

ONAN ENGINE MODEL NUMBER BF-MS2666C



GEAR COVER, OIL BASE AND  
OIL PUMP GROUP

another free manual from [www.seartractormanuals.com](http://www.seartractormanuals.com)

# repair parts

SS/16 TRACTOR--MODEL NUMBER 917.25752

ONAN ENGINE MODEL NUMBER BF-MS2666C

Gear Cover, Oil Base and Oil Pump Group

REF. NO.	PART NO.	PART DESCRIPTION
1	103-0396	Gear Cover Assembly
2	510-0105	*Bearing (Upper)
3	150-1349	*Shaft and Arm Assembly
4	150-1187	*Yoke
5	815-0046	*Screw (8-32 x 3/8")
6	516-0130	*Pin (3/16" x 7/8")
7	509-0008	*Oil Seal
8	510-0014	*Bearing
9	509-0040	*Seal
10	103-0408	Gasket
11	516-0011	Pin (5/16" x 1-1/8")
12	123-1138	Cap and Indicator
13	102-0693	Gasket
14	505-0056	Pipe Plug (1/2")
15	102-0741	Oil Base
16	120-0140	Spring (Oil By-Pass)
17	801-0050	Hex Head Screw (3/8-24 x 1")
18	120-0398	Valve (Oil By-Pass)
19	120-0491	Oil Pump Assembly (Complete)
20	120-0413	Intake Assembly
21	505-0002	Pipe Nipple (1/2" x 3")
22	505-0158	Pipe Cap (1/2")
23	122-0359	Cover
24	122-0321	Gasket
25	526-0065	Flat Washer (5/16" Copper)
26	526-0066	Flat Washer (3/8" Copper) (Oil By-Pass)
27	800-0028	Hex Head Cap Screw (5/16-18 x 1")
28	800-0056	Hex Head Cap Screw (3/8-16 x 2 1/2")
29	800-0032	Hex Head Cap Screw (5/16-18 x 1 3/4")
30	800-0034	Hex Head Cap Screw (5/16-18 x 2 1/4")
31	800-0007	Hex Head Cap Screw (1/4-20 x 1")
32	850-0050	Lock Washer (3/8")
33	850-0045	Lock Washer (5/16")
34	850-0040	Lock Washer (1/4")

\*-Included in Gear Cover Assembly.



# repair parts

SS/16 TRACTOR--MODEL NUMBER 917.25752

ONAN ENGINE MODEL NUMBER BF-MS2666C

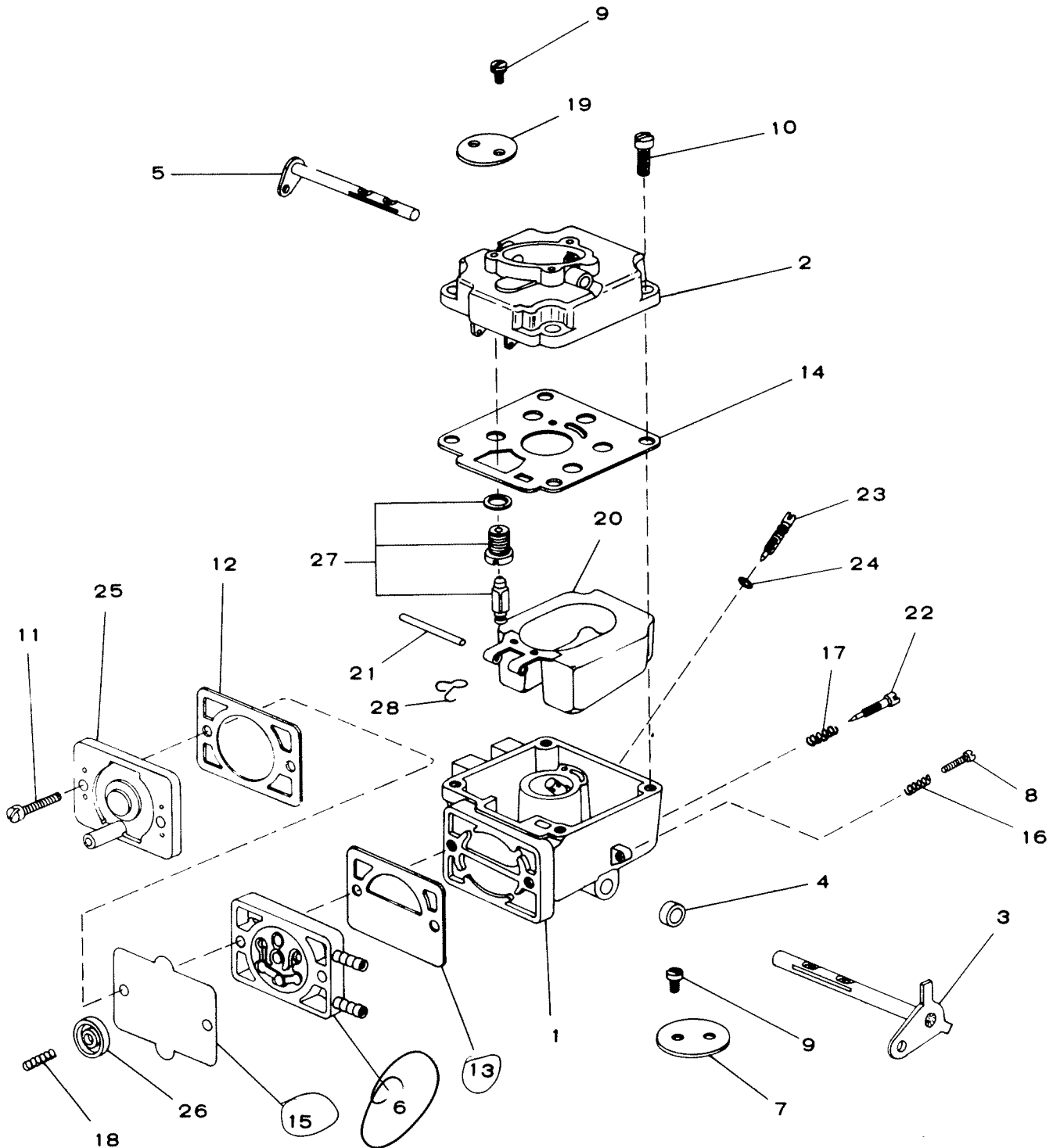
## Fuel System Group

REF. NO.	PART NO.	PART DESCRIPTION
1	<del>140-1169</del>	Air Intake Tube
2	142-0531	Carburetor Assembly (Complete)
3	<del>145-0438</del>	Gasket
4	154-1468	Intake Manifold
5	154-1446	Gasket
6	520-0758	Stud (5/16-18 x 2½'')
7	140-1198	Support
8	862-0015	Hex Nut (5/16-18)
9	149-1299	Vacuum Tube
10	503-0644	Vacuum Hose
11	140-1215	Gasket
12	140-1213	Housing
13	140-1216	Element
14	140-1168	Cover
15	865-0019	Wing Nut (¼-20)
16	505-0755	Half Nipple (1" x 3'')
17	800-0008	Hex Head Cap Screw (¼-20 x 1¼'')
18	850-0040	Lock Washer (¼'')
19	850-0045	Lock Washer (5/16'')
20	815-0377	Round Head Screw (10-32 x 3/8'')
21	140-1218	Pre-Cleaner
22	149-1308	Support Spring
23	149-1321	Cap
24	518-0328	Clip
25	403-1021	Lifting Bracket
26	800-0003	Hex Head Cap Screw (¼-20 x ½'')
27	862-0001	Hex Nut (¼-20)
28	853-0013	Lock Washer (¼'')

# repair parts

SS/16 TRACTOR--MODEL NUMBER 917.25752

ONAN ENGINE MODEL NUMBER BF-MS2666C



CARBURETOR PARTS GROUP

*Low cost*

another free manual from [www.seartractormanuals.com](http://www.seartractormanuals.com)

# repair parts

SS/16 TRACTOR--MODEL NUMBER 917.25752

ONAN ENGINE MODEL NUMBER BF-MS2666C

## Carburetor Parts Group

REF. NO.	PART NO.	PART DESCRIPTION
1	142-0532	Lower Body Assembly
2	142-0523	Sleeve
3	142-0534	*Throttle Shaft Assembly
4	142-0535	Shaft Packing
5	142-0536	Choke Shaft Assembly
6	142-0537	*Valve Plate Assembly
7	<del>142-0538</del>	Throttle Fly
8	142-0064	Screw
9	142-0334	*Screw
10	142-0539	Screw
11	142-0540	Screw
12	142-0541	Gasket
13	142-0542	Gasket
14	142-0543	Gasket
15	142-0535	*Diaphragm
16	142-0544	Spring
17	142-0282	*Spring
18	142-0545	*Spring
19	142-0546	Choke Fly
20	142-0547	Float and Lever Assembly
21	142-0548	*Float Lever Shaft
22	142-0016	*Idle Needle
23	142-0549	Power Needle Assembly
24	142-0550	O-Ring
25	142-0551	Cover
26	142-0552	*Plate
27	142-0553	*Float Valve Assembly
<del>28</del>	142-0554	Clip
	142-0556	*Gasket Set (Includes 142-535 Packing)
	142-0557	Repair Kit

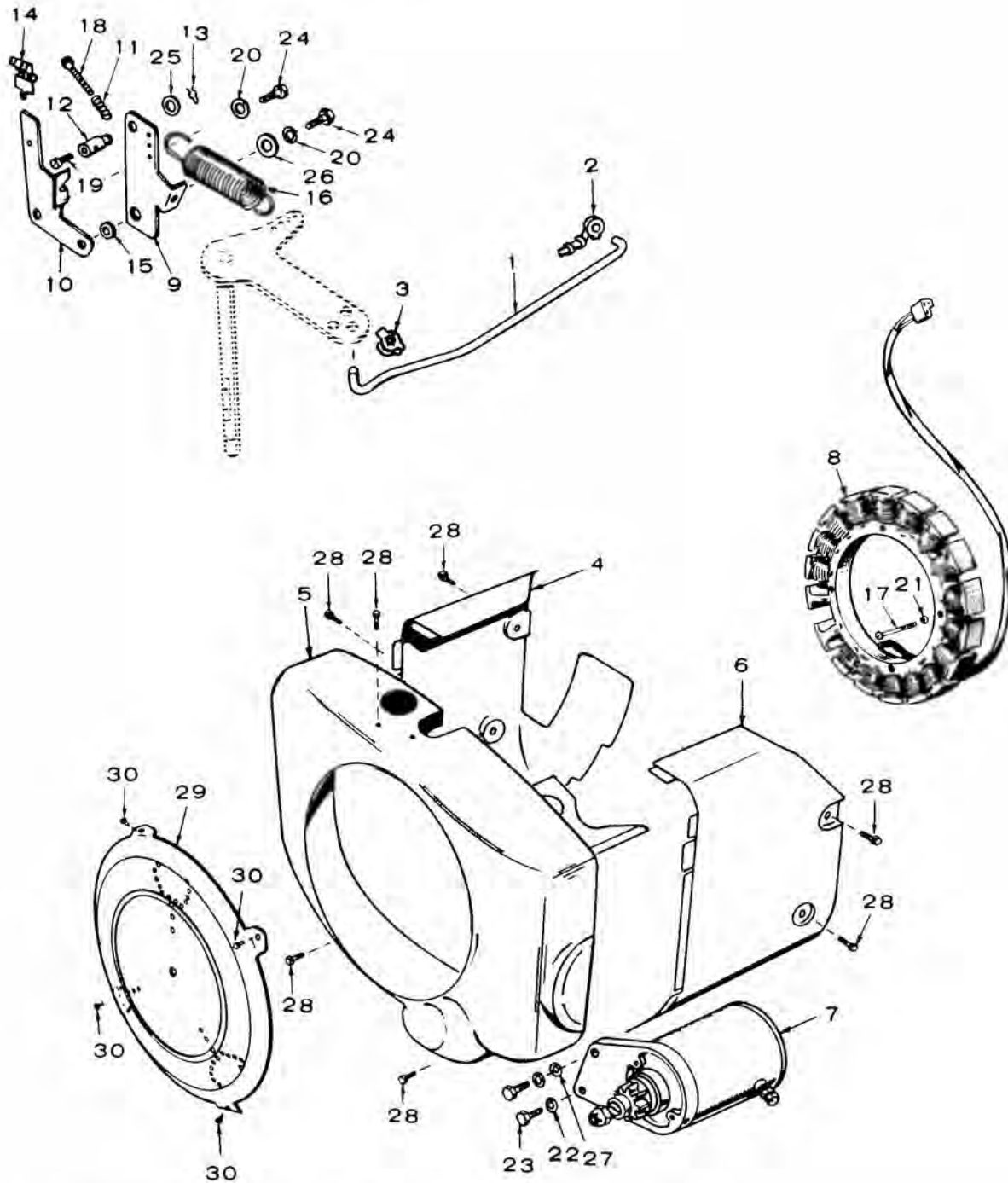
142-0667

\*-Included in Repair Kit 0667

BF-MS2'

# repair parts SS/16 TRACTOR--MODEL NUMBER 917.25752

ONAN ENGINE MODEL NUMBER BF-MS2666C



**GOVERNOR, STARTER, CHARGING ALTERNATOR  
AND BLOWER HOUSING GROUP**



# repair parts

SS/16 TRACTOR--MODEL NUMBER 917.25752

ONAN ENGINE MODEL NUMBER BF-MS2666C

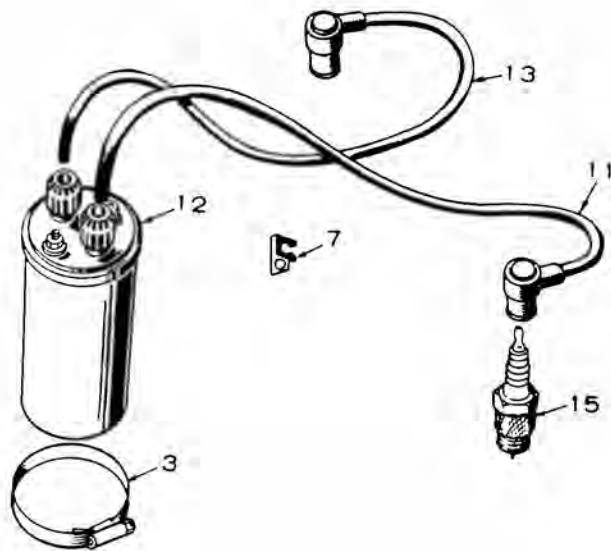
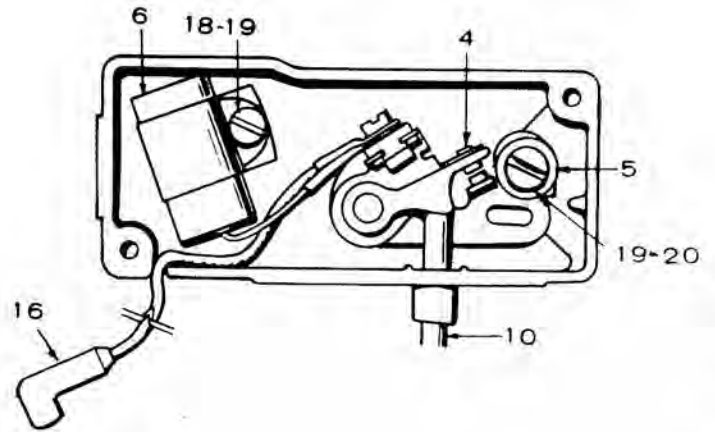
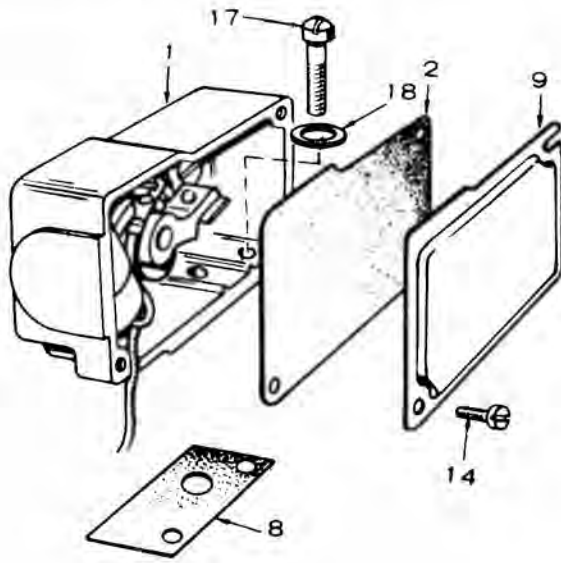
Governor, Starter, Charging Alternator and  
Blower Housing Group

REF. NO.	PART NO.	PART DESCRIPTION
1	150-1350	Control Rod
2	518-0004	Clip
3	870-0278	Push Nut (3/16")
4	134-2382	Cylinder Air Housing (L.H.)
5	134-2393	Blower Housing
6	134-2383	Cylinder Air Housing (R.H.)
7	191-0933	Starting Motor Assembly (For Compenents See Separate Group)
8	191-0885	Charging Alternator Starter
9	150-1345	Arm
10	150-1343	Bracket
11	142-0035	Spring
12	152-0155	Swivel
13	516-0059	Cotter Pin
14	518-0176	Clip
15	150-1269	Bushing
16	150-1214	Spring
17	813-0108	Round Head Screw (10-32 x 1 1/2")
18	812-0066	Round Head Screw (6-32 x 3/4")
19	815-0104	Round Head Screw (8-32 x 5/16")
20	850-0040	Lock Washer (1/4")
21	850-0030	Lock Washer (#10)
22	850-0045	Lock Washer (5/16")
23	800-0028	Hex Head Cap Screw (5/16-18 x 1")
24	821-0010	Hex Head Cap Screw (1/4-20 x 1/2")
25	526-0006	Flat Washer (#12)
26	526-0214	Flat Washer (1/4")
27	526-0113	Flat Washer (5/16")
28	815-0261	Hex Head Cap Screw (1/4-20 x 7/16")
29	134-2606	Screen Guard (Stationary)
30	815-0378	Self Tapping Screw (#14 x 1/2")

# repair parts

SS/16 TRACTOR--MODEL NUMBER 917.25752

ONAN ENGINE MODEL NUMBER BF-MS2666C



## IGNITION GROUP

# repair parts

SS/16 TRACTOR--MODEL NUMBER 917.25752

ONAN ENGINE MODEL NUMBER BF-MS2666C

## Ignition Group

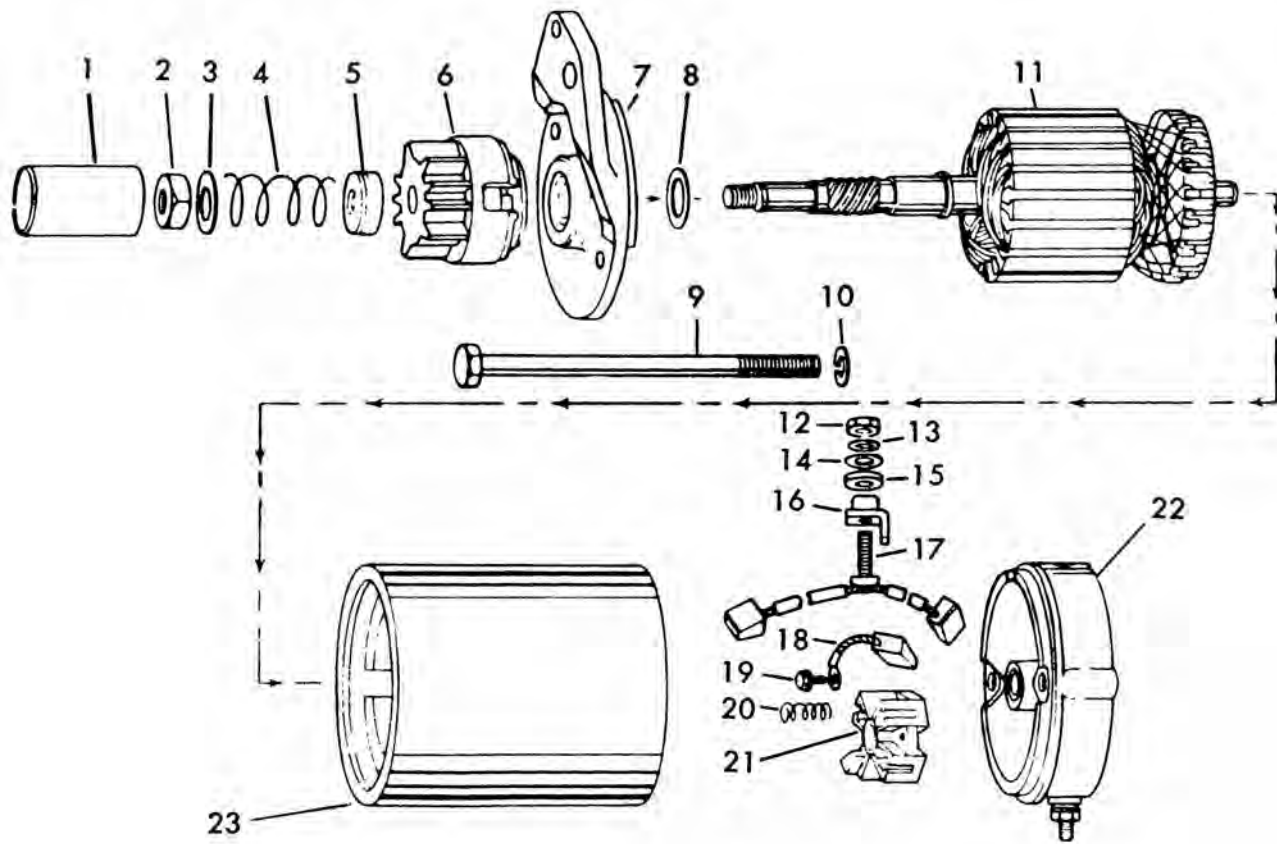
REF. NO.	PART NO.	PART DESCRIPTION
1	160-1158	Breaker Box Assembly
2	160-1148	*Gasket
3	503-0365	Clamp
4	160-1154	*Point Set
5	526-0003	*Flat Washer (#8)
6	312-0069	*Condenser
7	167-0188	Clip
8	160-1150	Gasket
9	160-1149	*Cover
10	160-1151	Plunger
11	167-1548	Cable (21'')
12	166-0535	Coil
13	167-1463	Cable (19'')
14	815-0358	*Pan Head Screw (8-32 x 3/8'')
15	167-0241	Spark Plug
16	336-2132	*Lead Assembly
17	802-0034	Screw (1/4-20 x 5/8'')
18	850-0034	Lock Washer (1/4'')
19	850-0025	*Lock Washer (#8)
20	815-0358	*Pan Head Screw (8-32 x 3/8'')

\*-Included in Breaker Box Assembly.

# repair parts SS/16 TRACTOR--MODEL NUMBER 917.25752

ONAN ENGINE MODEL NUMBER BF-M52666C

Starter Parts Group



634 x 167

REF. NO.	PART NO.	QTY. USED	PART DESCRIPTION
1	191-1034	1	Cover, Dust
2	191-1045	1	Nut, Stop
3	191-1046	1	Washer, Stop Nut
4	191-1035	1	Spring, Anti-Drift
5	191-1047	1	Spacer, Dust Cover
6	191-1036	1	Drive Assembly
7	191-1037	1	Cap Assembly, Drive End
8	191-1038	1	Washer, Armature Thrust
9	191-1048	2	Screw, Hex Cap-Through Starter
10	850-0040	2	Washer, Lock
11	191-1039	1	Armature
12 thru 21	Not Sold Separately Order #22 191-1040	-	
22	191-1040	1	Cap Assembly (Includes Key #12 thru 21)
	191-1041	1	Kit, Brush, Spring & Stud (Key #17, 18 & 20)
23	Not Sold Separately Order 191-0933		Starting Motor Complete

**Sears**

# owners manual

MODEL NO.  
917.25752

## How to Order Repair Parts

**SEARS SERVICE  
IS AT YOUR SERVICE  
WHEREVER YOU LIVE  
OR MOVE  
IN THE U.S.A.**

The Model Number will be found on a plate attached to the rear of the Chassis Channel and to the front of the seat. Always mention the Model Number when requesting service or repair parts for your Garden Tractor.

All parts listed herein may be ordered through SEARS, ROEBUCK AND CO. or SIMPSONS-SEARS LIMITED. When ordering parts by mail, selling prices will be furnished on request or parts will be shipped at prevailing prices and will be billed accordingly.

WHEN ORDERING REPAIR PARTS, ALWAYS GIVE THE FOLLOWING INFORMATION AS SHOWN IN THIS LIST.

1. The PART NUMBER
2. The PART DESCRIPTION
3. The MODEL NUMBER  
917.25752
4. The NAME OF ITEM  
Garden Tractor



When you buy merchandise from Sears you get an extra something that nobody else can offer . . . Sears Service.

Across town or across the country, wherever you live or move in the U.S.A., Sears Service follows you, providing trustworthy, competent service technicians using only Sears specifications, their parts.

Your new Tractor is used to provide power for operating or pulling a large variety of attachments. The air cooled engine transmits power to the rear wheels. The transmission is geared to provide all the travel speeds required for those attachments. Use the same care and tentiveness when operating your tractor as you would when driving your automobile.



## Free Manuals Download Website

<http://myh66.com>

<http://usermanuals.us>

<http://www.somanuals.com>

<http://www.4manuals.cc>

<http://www.manual-lib.com>

<http://www.404manual.com>

<http://www.luxmanual.com>

<http://aubethermostatmanual.com>

Golf course search by state

<http://golfingnear.com>

Email search by domain

<http://emailbydomain.com>

Auto manuals search

<http://auto.somanuals.com>

TV manuals search

<http://tv.somanuals.com>