

OWNER'S MANUAL

SEARS

Kenmore

SEWING MACHINE

MODEL 385. 1884180

SEARS CANADA INC.

Dear Customer:

You have just invested in a very fine zigzag sewing machine. Before using your new Kenmore machine, please pause for a moment and carefully read this booklet which contains instructions on how to operate and care for your machine.

Specific instructions are given on threading, tension adjustments, cleaning, oiling, etc. This will help you obtain the best sewing results and avoid unnecessary service expense for conditions beyond our control.

Advice on the operation and care of your machine is always available at your nearest Sears Retail Store. Please remember, if you have questions about your machine or need parts and service, always mention the model number and serial number when you inquire.

Kenmore Sewing Machine

Record in space provided below the model number and serial number of this appliance. The model number and serial number are located on the nomenclature plate, as identified on Page 3 of this booklet.

Model No. 385. _____ Serial No. _____
Retain these numbers for future reference.

THIS MODEL IS A CENTER NEEDLE, LOW BAR SEWING MACHINE.

TABLE OF CONTENTS

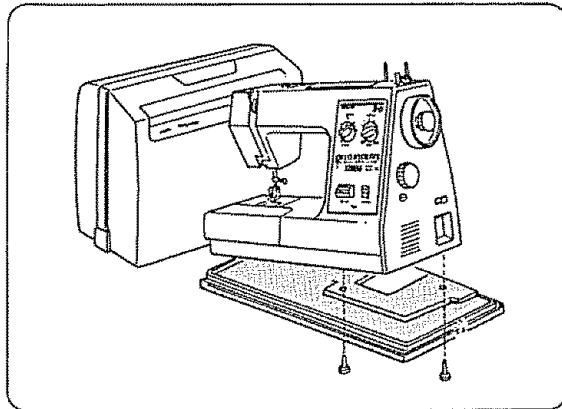
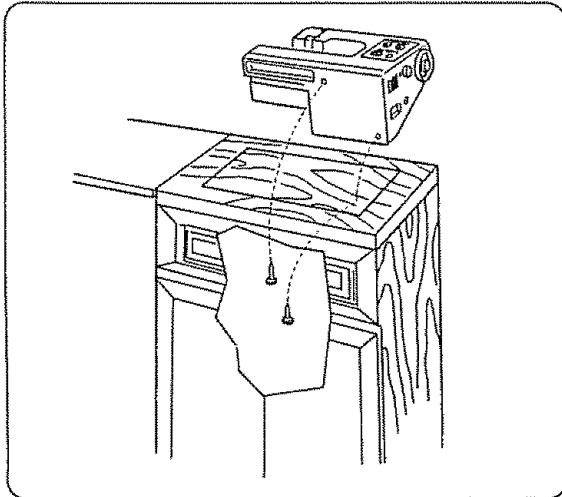
SECTION 1. KNOW YOUR MACHINE		
A Portable Case or Cabinet is Available	2	
Locate and Identify the Parts	2~3	
Identify the Accessories	4	
SECTION 2. PREPARE YOUR MACHINE FOR SEWING		
Set Up the Machine	5~9	
• Plug in the Machine and Switch on the Power	5	
• Foot Control Use	5	
• Set the Speed Range Switch	6	
• Set the Pressure Dial	6	
• Setting Spool Pins	7	
• Adjust the Presser Foot Lever	7	
• Thread Cutter	7	
• Accessory Storage Box	8	
• Free-Arm Sewing: the Removable Extension Table	8~9	
Know What the Presser Feet Will Do	10~14	
• Check Your Presser Foot	10	
• Change the Presser Foot	10	
• Presser Foot Types	11~14	
Choose Your Needle and Thread	14~15	
• Check Your Needle	14	
• Fabric, Needle, Thread and Stitch Length Chart	15	
• To Change Your Needle	15	
Prepare the Bobbin	16~17	
• To Remove the Bobbin from the Machine	16	
• Wind the Bobbin	16	
• Insert the Bobbin into the Bobbin Holder	17	
Prepare Your Top Thread	18~21	
• Thread Your Needle	18	
• Pick Up Your Bobbin Thread	19	
• Adjust the Top Thread Tension	20~21	
Stitch Selector	21	
Stitch Length Control	22	
Adjusting Stretch Stitch Balance	22	
Stitch Width Control	23~24	
• Three Needle Position	23~24	
Reverse Stitch Control	25	
Starting To Sew	25	
SECTION 3. LEARN THE STITCHES		
Practical Stitch Chart	26~30	
Straight Stitches	31~33	
• Straight Stitch	31	
• Use the Seam Guides	31	
• Turn a Square Corner	31	
• Use the Darning Plate	32	
• Topstitching	32	
• Quilting	33	
Darning	34	
Straight Stretch	34	
Zigzag Stitches	35~42	
• Basic Zigzag	35	
• Satin Stitch	36	
• Applique	37	
• Bar Tacking	37	
• Monogramming	38	
• Embroidery	38	
• Sew a Button	39	
• Overcasting Stitch	40	
• Rick-Rack Stretch	40	
• Three-Step Zigzag	41	
• Overcast Stretch Stitching	42	
• Serging or Pine Leaf Stretch Stitching	42	
Blind Hemming	43	
Lace Work	44	
Buttonhole Making	45~51	
• Learning to Sew Buttonholes	45	
• Built-in System	46~47	
• Using Buttonhole Attachment	48~51	
Sew in a Zipper	52~53	
Shell Stitching	54	
Two-Point Shell Stitching	54	
Smocking	55	
Stretch Patching	55	
Fagoting Stitch	56	
Herring Bone Stretch	56	
Elastic Stretch Stitch	57	
Box Stitching	57	
Two-point Box Stitch	58	
Overedging Stitch	58	
Decorative Stretch Patterns	59	
Decorate with Geometric Patterns	60	
SECTION 4. PERFORMANCE PROBLEMS CHART		
What to Do When	61~62	
SECTION 5. CARE FOR YOUR MACHINE		
Replace the Light Bulb	63	
Clean the Bobbin Holder	63	
Clean the Hook Race and Feed Dogs	64	
Oiling the Machine	64	
PARTS LIST	65~66	
INDEX	67~68	

SECTION 1. KNOW YOUR MACHINE

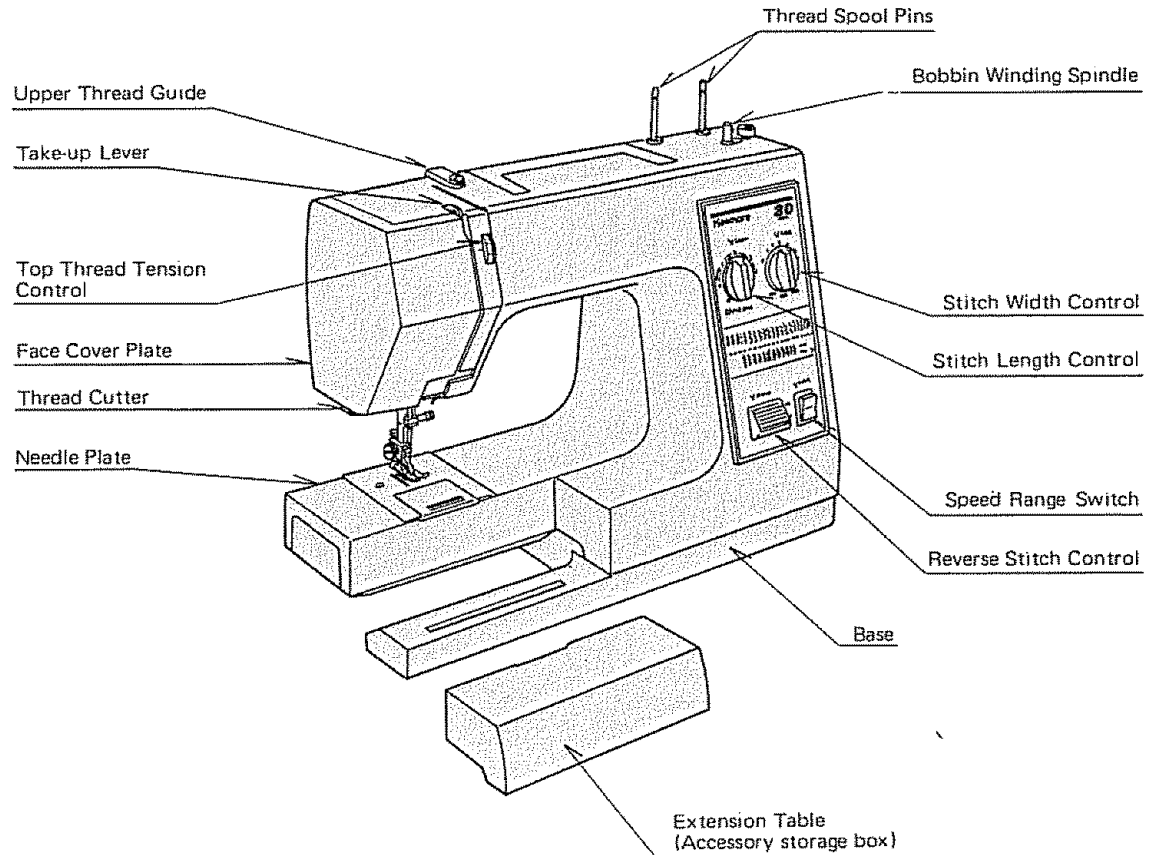
A Portable Case or Cabinet is Available

A full line of sewing cabinets is available at your nearest Sears retail store or through our general catalog.

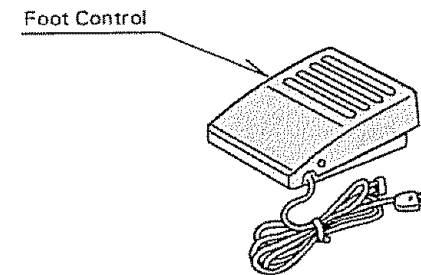
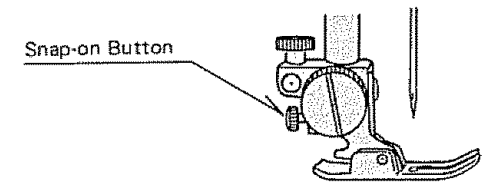
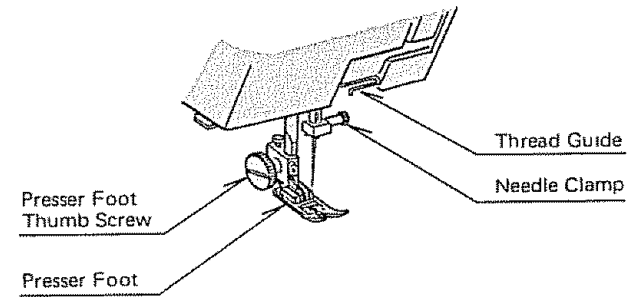
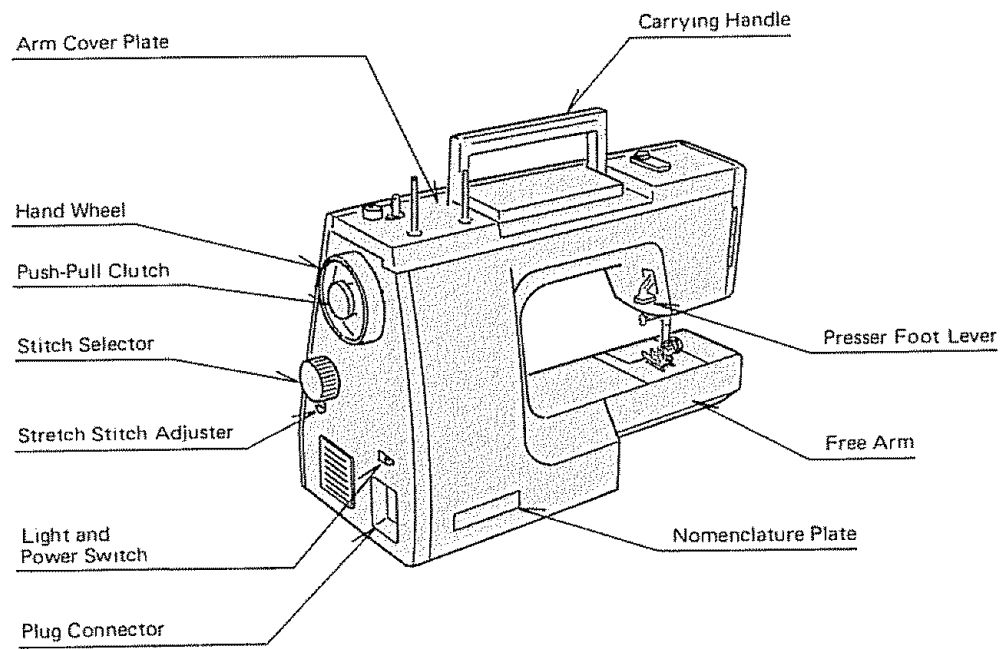
Another option . . . buy a Carrying Case . . . then your Kenmore goes anywhere, can be stored anywhere.



Locate and Identify the Parts

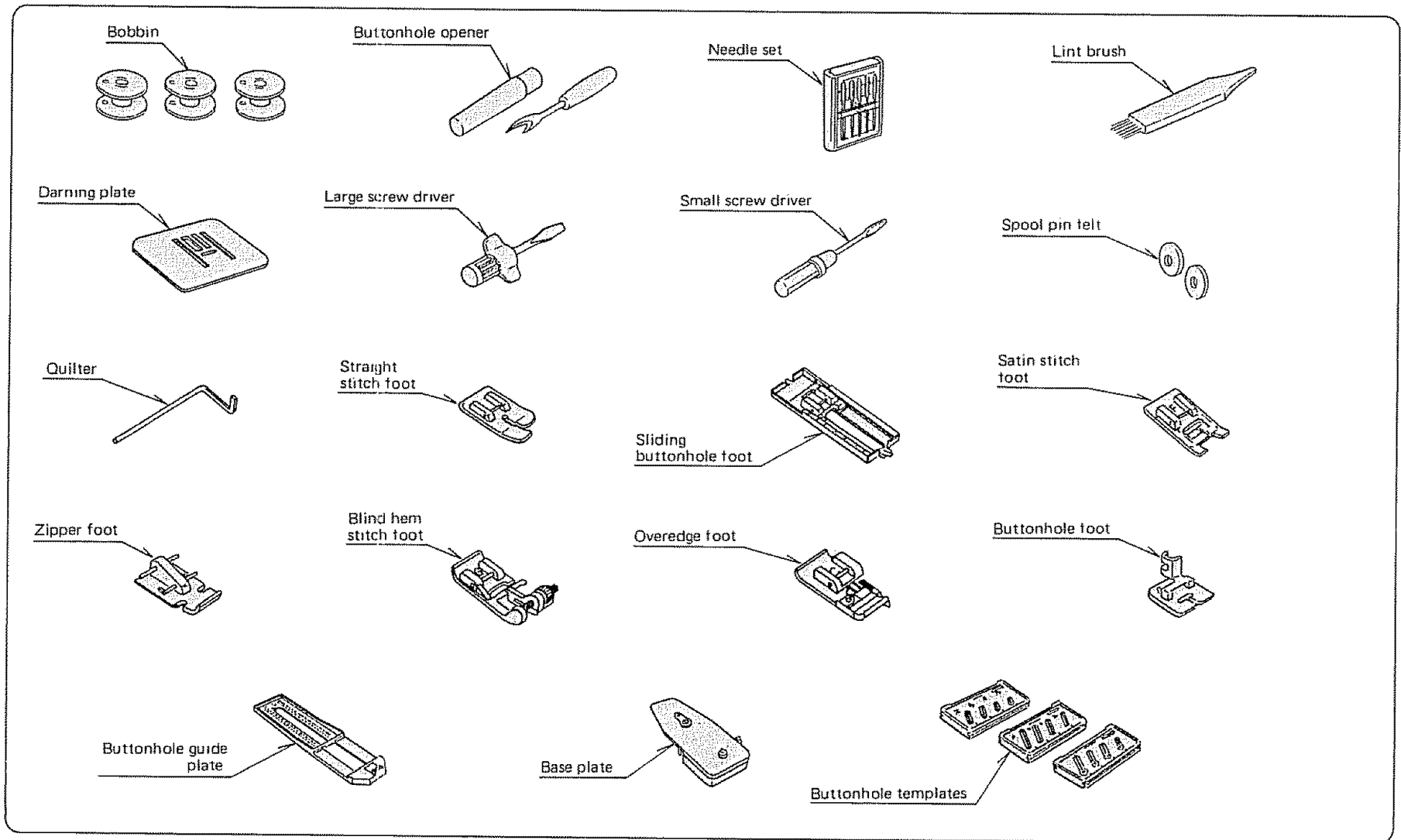


SECTION 1. KNOW YOUR MACHINE



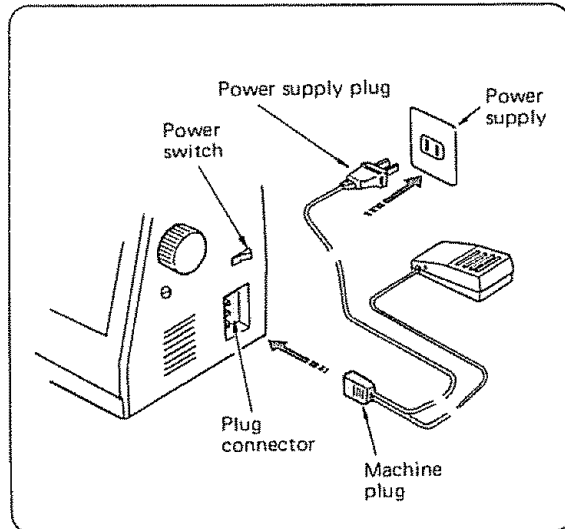
SECTION 1. KNOW YOUR MACHINE

Identify the Accessories



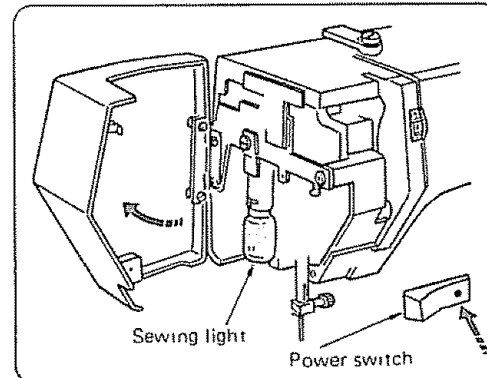
Set Up the Machine

- **Plug in the Machine and Switch on the Power**



NOTE: Before inserting the plug into your machine, be sure the power switch is OFF.

1. Check your outlet to be sure it is a 110 to 120 Volt AC outlet.
2. Insert the machine plug into the three-prong outlet, as shown. It will only fit one way.
3. Insert the power supply plug into the outlet.

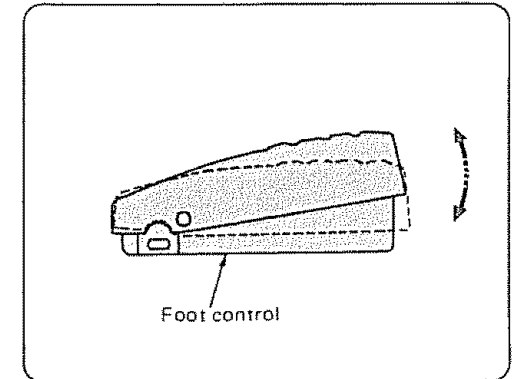


4. Push the light and power switch to turn on the power and sewing light.

SAFETY FEATURE:

Your machine will not operate unless the light/power switch is turned on. If you are interrupted or stop sewing, turn off the light/power switch to prevent injury to children.

- **Foot Control Use**



The foot control regulates the speed at which you sew.

To increase speed, gently press down with the ball of your foot.

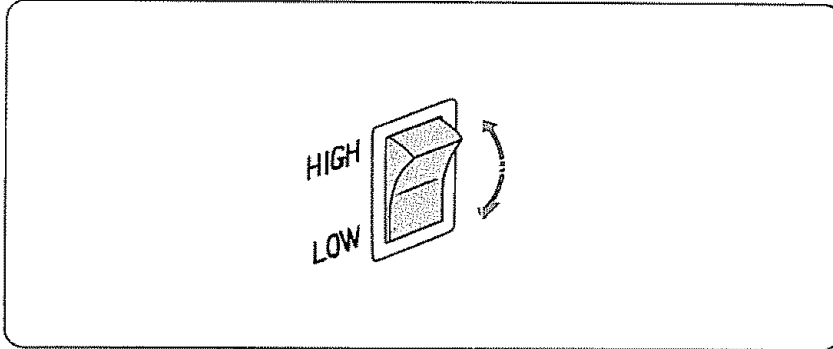
To decrease speed, release your foot pressure slightly.

NOTE: The foot control is sensitive and will increase or decrease your sewing speed immediately. Practice on a scrap of fabric to regulate your sewing speed to your taste and needs.

SECTION 2. PREPARE YOUR MACHINE FOR SEWING

Set Up the Machine (Continued)

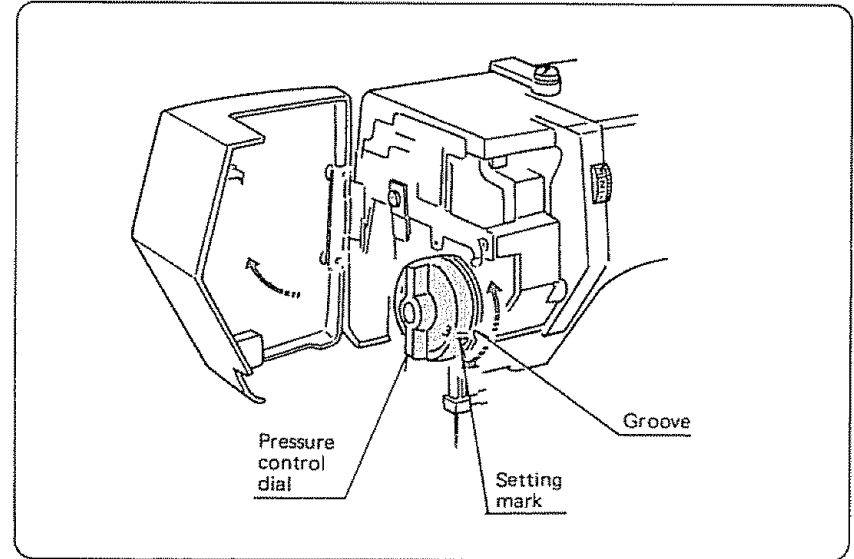
- Set the Speed Range Switch



Your machine has two ranges of speed—a low range for slower, intricate work and a high one for faster, general work. On the low setting the machine will sew no faster than approximately two-third the speed of the high one, even when the foot control is fully depressed.

NOTE: It is advisable not to change the speed range switch while machine is running.

- Set the Pressure Dial



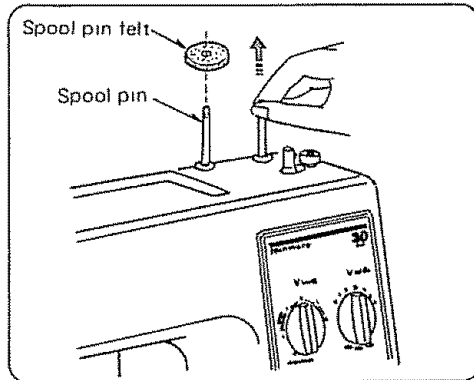
The pressure control dial is located inside the face cover plate.

Set the dial aligning the setting mark on the dial with the groove as follows.

- 3 most sewing
- 2 applique and Cut-Out work
- 1 basting, sewing chiffon, lace, organdy and other lightweight fabrics.
Also for velours and knits (with more stretch).

NOTE: The pressure dial should be reset at 3 after changing pressure, so the machine is ready for most normal sewing the next time you use it.

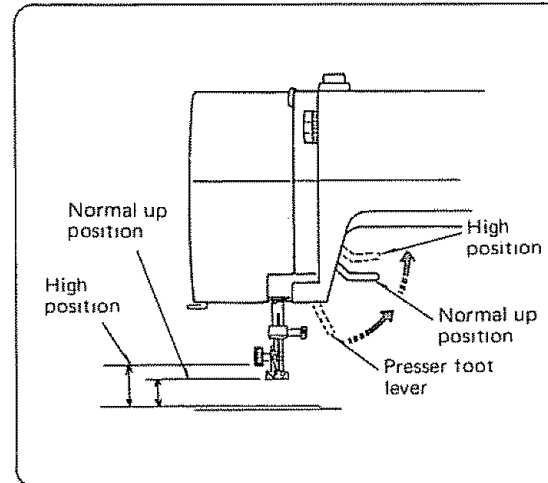
• **Setting Spool Pins**



The spool pins are used for holding the spools of thread in order to feed thread to the machine.

To use, pull up the spool pins. Place the spool felt on the pins. Push down for storage.

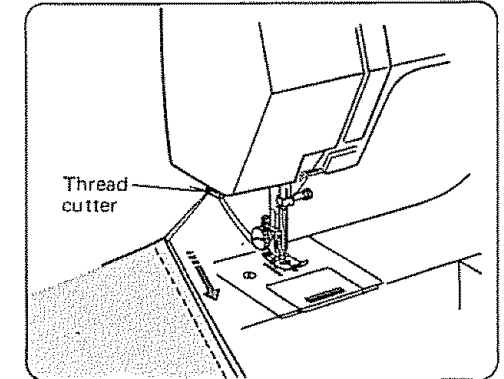
• **Adjust the Presser Foot Lever**



The Presser Foot Lever raises and lowers your presser foot.

You can raise it about 1/4" higher than the normal up position for easy removal of the presser foot or to help you place heavy fabrics under the presser foot.

• **Thread Cutter**



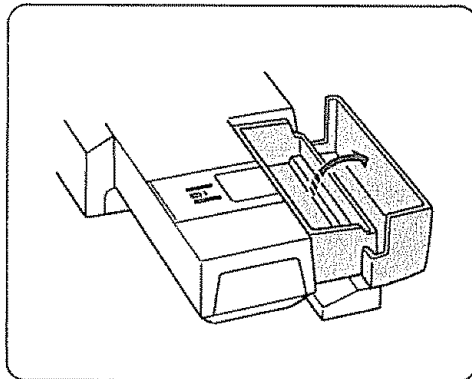
You don't need a pair of scissors to cut the thread after you finish sewing. Just use the handy thread cutter.

The threads are cut the proper length for starting the next seam.

SECTION 2. PREPARE YOUR MACHINE FOR SEWING

Set Up the Machine (Continued)

- Accessory Storage Box

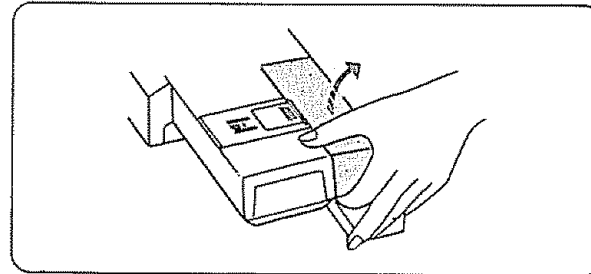


The lid of the accessory storage box lifts open toward you.

Sewing accessories are conveniently located in the box.

- Free-Arm Sewing: the Removable Extension Table

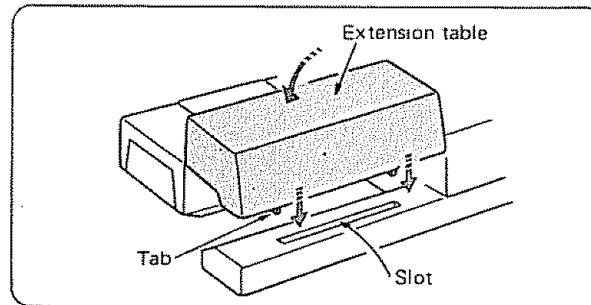
To remove:



To Remove the Extension Table
(for free-arm sewing)

1. Grip the table with your index finger and thumb, as shown.
2. Pull gently toward you.
The extension table will snap out.

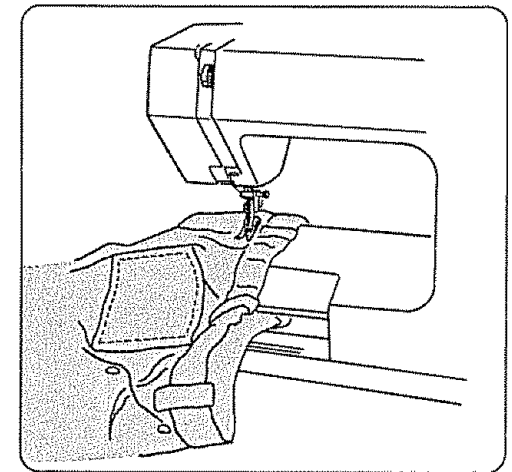
To Attach:



To Attach the Extension Table
(for flat-bed sewing)

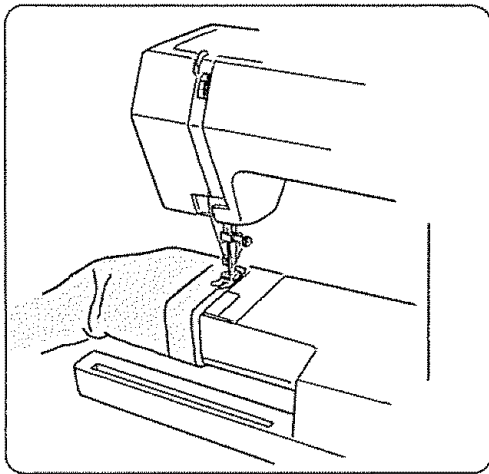
1. Fit the tabs into the slot, as shown.
2. With your thumb and index finger, gently snap in.

Your sewing machine can do free arm sewing.
This feature makes sewing easy for:

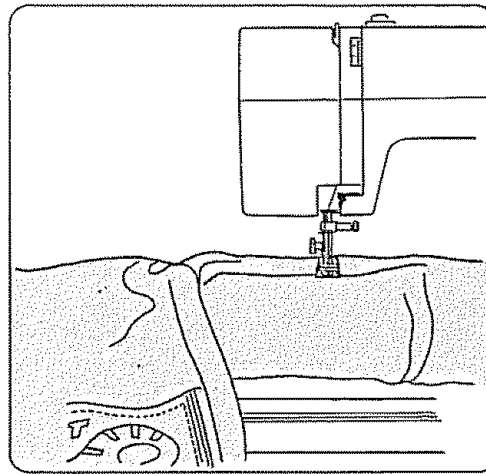


- * Bar tacking to reinforce pockets, plackets and waistlines on ready-made or home-made garments to avoid fabric bunching around the needle.

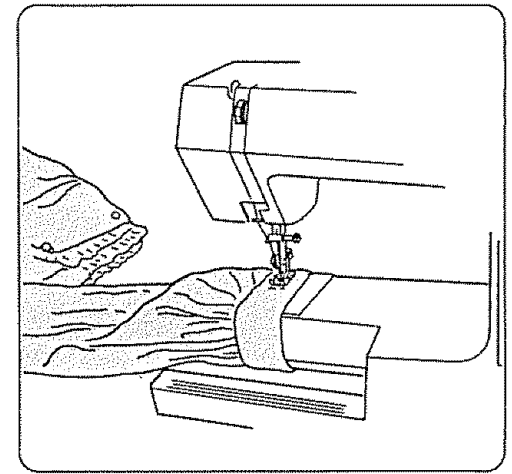
SECTION 2. PREPARE YOUR MACHINE FOR SEWING



* Stitching sleeves, waistbands, pant legs, or any circular garment area.



* Darning socks or mending knees, elbows, or areas of wear in children's clothes.



* Sewing buttons on sleeves, waistbands, etc.

SECTION 2. PREPARE YOUR MACHINE FOR SEWING

Know What the Presser Feet Will Do

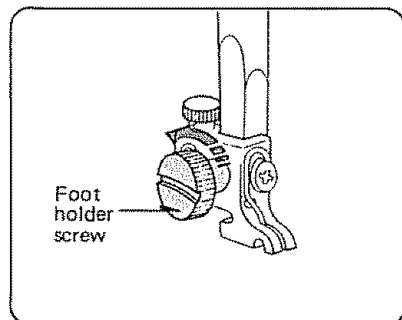
- **Check Your Presser Foot**

The Presser feet are an important feature of this machine. You need to know what each foot does in order to use them effectively.

Your presser foot is held in place by a Foot Holder. Each presser foot merely snaps on the foot holder, which is seldom removed.

If you need to remove or attach the foot holder, here is what you do:

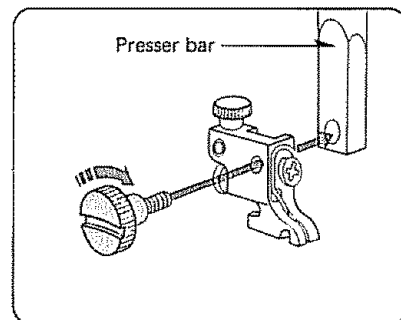
To Remove:



To Remove:

Turn the screw toward the back of the machine. Use the large screw driver.

To Attach:



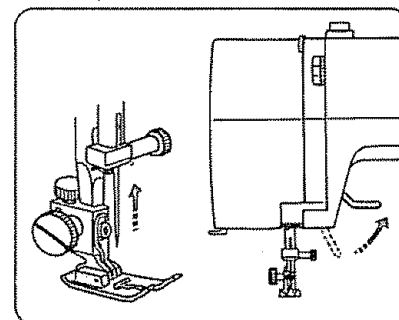
To Attach:

1. Match the hole in the foot holder with the threaded hole in the presser bar.
2. Fit the foot holder screw into the hole.
3. Tighten the screw by turning it toward you.

- **Change the Presser Foot**

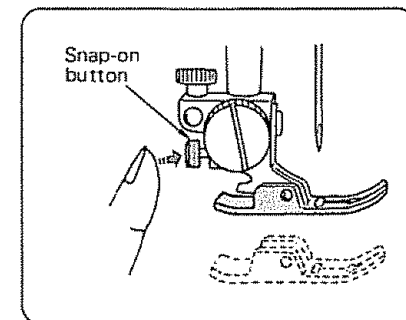
Use the correct presser foot for the stitch you wish to sew. Consult the Stitch Pattern Chart and the detailed directions for sewing with the various presser feet.

To Snap Off:



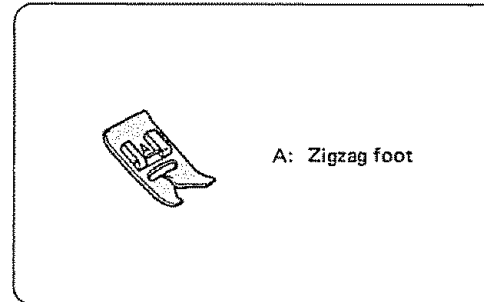
To Snap Off the Presser Foot:

1. Raise the needle bar to its highest position by turning the hand wheel toward you.
2. Raise the presser foot.
3. Press the snap-on button on the back of the foot holder. The presser foot will drop off.



- Presser Foot Types

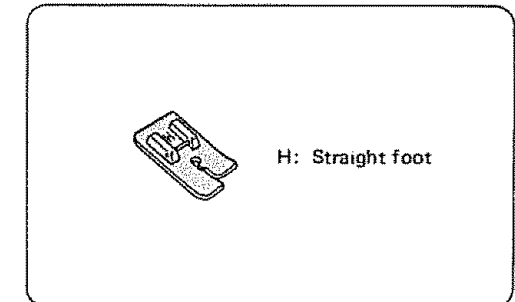
Zigzag Foot



Use this foot for both straight and zigzag stitching.

Uses: Zigzag stitching (see page [35](#)),
 Bar tacking (see page [37](#)),
 Button sewing (see page [39](#)),
 Rick-rack stretch (see page [40](#)),
 Three-step zigzag (see page [41](#)),
 Overcast stretch (see page [42](#)),
 Lace work (see page [44](#)),
 Two-point shell stitching (see page [54](#)),
 Smocking (see page [55](#)),
 Stretch patching (see page [55](#)),
 Fagoting (see page [56](#)),
 Herring bone stretch (see page [56](#)),
 Elastic stretch (see page [57](#)),
 Box stitching (see page [57](#)),
 Two-point box stitching (see page [58](#)),
 Overedging stitch (see page [58](#)),
 Decorative stretch stitching (see page [59](#)).

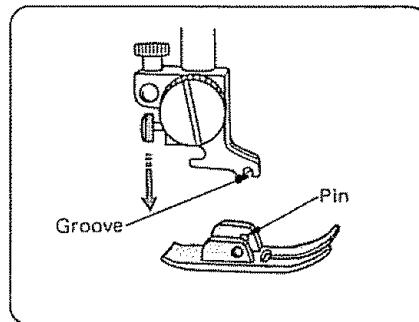
Straight Foot



Use this foot exclusively for straight stitching using center needle position only.

Uses: Straight stitching (see page [31](#)),
 Topstitching (see page [32](#)),
 Straight stretch (see page [34](#)),
 Quilting (see page [33](#)),

To Snap On



To Snap On the Presser Foot:

1. Place the presser foot so the horizontal pin on the foot lies just under the groove of the foot holder.
2. Lower the presser foot holder to lock the presser foot in place.

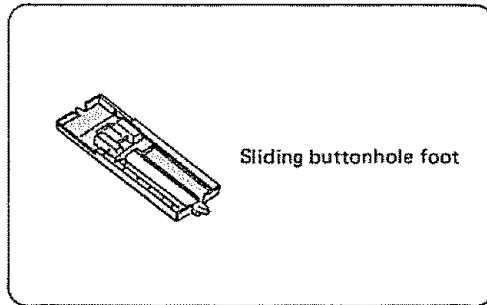
NOTE: If you do not hear the presser foot snap in place, press down on the presser foot holder firmly until you hear the snap.

SECTION 2. PREPARE YOUR MACHINE FOR SEWING

Know What the Presser Feet Will Do (Continued)

- Presser Foot Types (Continued)

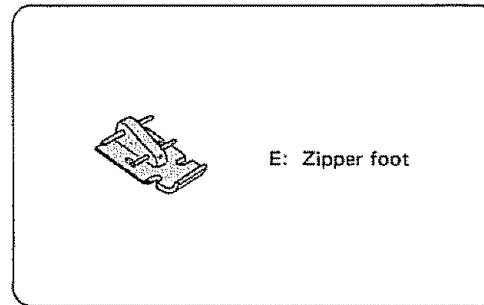
Sliding Buttonhole Foot



Use this foot for buttonholes of built-in system. It is marked to measure your buttonholes accurately.

Uses: Buttonhole making (see page [45](#)).

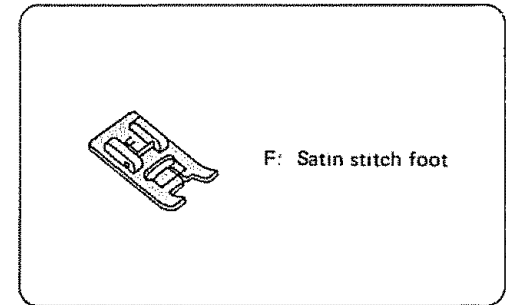
Zipper Foot



This foot can be set to sew on each side of your zipper. The edges of the foot guide the zipper and keep the seam straight.

Uses: Zipper application (see page [52](#)).

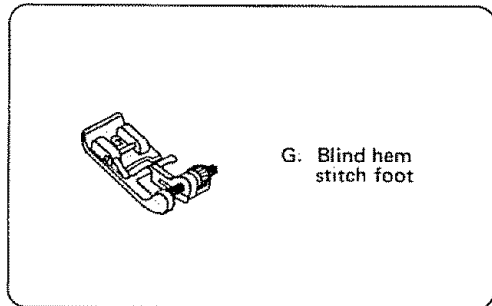
Satin Stitch Foot



Use this transparent foot for satin stitch and outlining applique.

Uses: Satin stitch (see page [36](#)),
Applique (see page [37](#)),
Monogramming (see page [38](#)),
Shell stitching (see page [54](#)),
Geometric decorative stitching
(see page [60](#)).

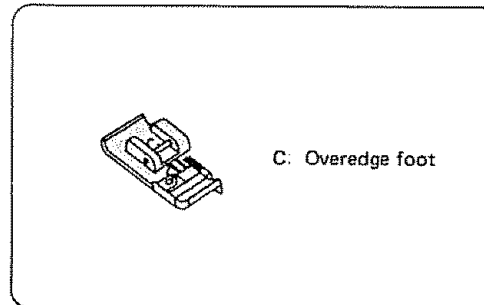
Blind Hem Stitch Foot



Use this foot for perfect blind hemming. The foot has ridges on the bottom to keep the fabric from slipping and a guide screw on top to guide the folded edge of your hem.

Uses: Blind hemming (see page [43](#))

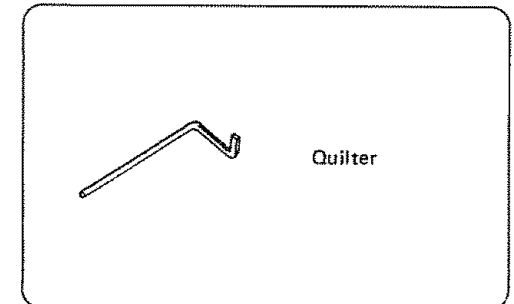
Overedge Foot



This foot is especially constructed for stitching and/or overcasting seams. The small brush and wire guides help control the fabric, hold the raw edge in place and keep it from puckering, especially when sewing on knit fabrics.

Uses: Overcasting stitch (see page [40](#)),
Serging (see page [42](#))

Quilter



This attachment turns your zigzag foot into a quilting foot.

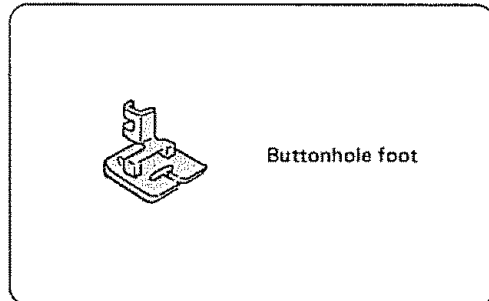
Uses: Straight stitching (see page [33](#))

SECTION 2. PREPARE YOUR MACHINE FOR SEWING

Know What the Presser Feet Will Do (Continued)

- Presser Foot Types (Continued)

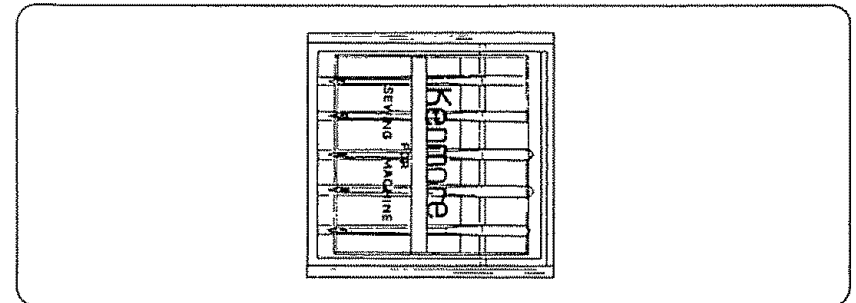
Buttonhole Foot



Use this foot when making buttonholes with buttonhole attachment system.

Uses: Buttonhole making (see page 48)

Choose Your Needle and Thread



Your choice of needle and thread depends on the fabric you are sewing.

In your needle case, you will find the following color-coded needles:

- Blue (11) for stretch fabrics
- Orange (11) for lightweight fabrics
- Red (14) for medium or medium-heavy weight fabrics
- Purple (16) for medium-heavy weight and decorative topstitching on these fabrics
(This needle has a larger thread hole for thicker topstitching thread.)
- Green (18) for heavy weight fabrics and decorative topstitching on these fabrics

- Check Your Needle

1. Look for barbed or blunt point.
2. A damaged needle can cause permanent snags or runs in knits, fine silks and silk-like fabrics.

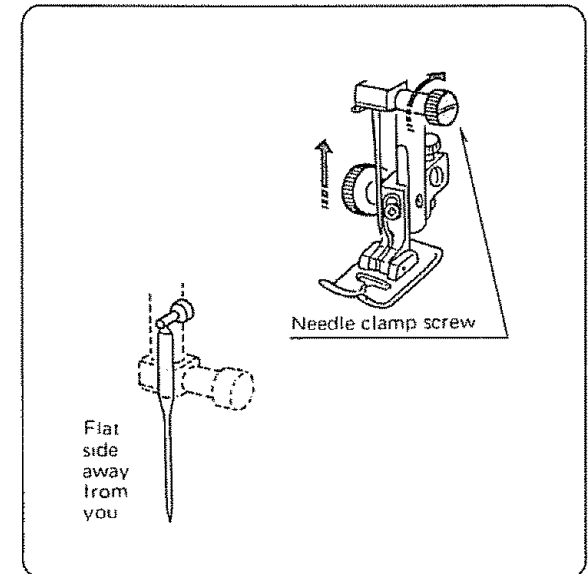
Always buy a good quality thread. It should resist tangling and be strong, smooth and consistent in thickness.

SECTION 2. PREPARE YOUR MACHINE FOR SEWING

Fabric, Needle, Thread and Stitch Length Chart

FABRIC	NEEDLE SIZE AND COLOR	THREAD SIZE	RECOMMENDED STITCH LENGTH SETTING
Lightweight: Batiste, Dimity, Chiffon, Silks, Fine Lace, Organza, Crepe, Taffeta, Voile, Organdy	11-ORANGE	Polyester Core/Cotton Wrap Fine Mercerized Cotton Silk A	2 (12 stitches per inch)
Medium Weight: Cotton, Cotton Blends, Percalé, Gingham, Shantung, Pique, Seersucker, Satin, Knits, Vinyl Suitings, Linen, Wool Crepe, Leather	14-RED	50 Mercerized Cotton Polyester Core/Cotton Wrap Silk A	2-2.5 (10-12 stitches per inch)
Medium Heavy Weight: Corduroy, Denim, Wool, Sailcloth, Wool Flannel, Gabardine, Velvets, Leather	14-RED or 16-PURPLE	50 Mercerized Cotton Mercerized Heavy-Duty Polyester Core/Cotton Wrap Silk A	2-3 (8-10 stitches per inch)
Heavy Weight: Coatings, Upholstery Cotton Duck, Heavy Twills, Canvas	18-GREEN	Heavy Duty Mercerized Cotton Polyester Core/Cotton Wrap Silk A	3 (8 stitches per inch)
Decorative top-stitching on all types of fabric	16-PURPLE 18-GREEN	Buttonhole Twist (Use as top thread only)	3-4 (6-8 stitches per inch)
Stretch Fabric: Polyester Double Knits, Nylon Tricot, Jersey, Stretch Terry, Spandex, Cire Tricot	11-BLUE (STRETCH FABRIC NEEDLE)	Polyester Core/Cotton Wrap 50 Mercerized Cotton	2-2.5 (10-12 stitches per inch)

To Change Your Needle



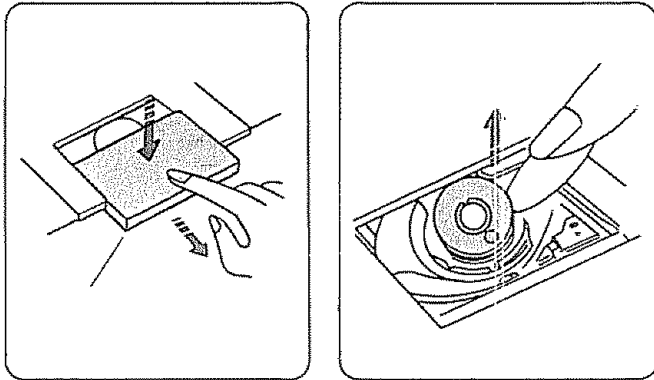
NOTE: Raise the needle bar to its highest position by turning the hand wheel toward you.

- Loosen the needle clamp screw by turning it toward you.
- Remove the needle by pulling it downward.
- Insert the new needle into the needle clamp with the flat side away from you.
- Push the needle up as far as it will go.
- Tighten the needle clamp screw firmly with the large screwdriver from your accessory storage box.

SECTION 2. PREPARE YOUR MACHINE FOR SEWING

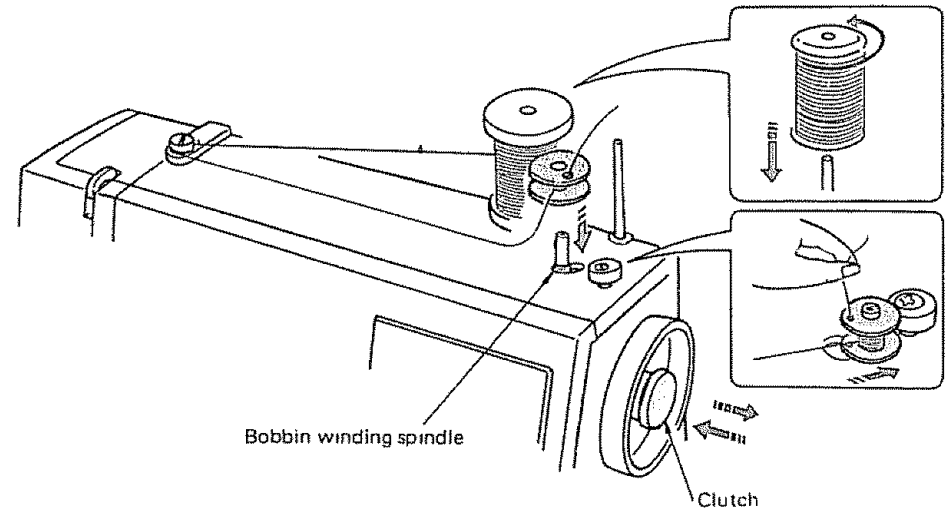
Prepare the Bobbin

• To Remove the Bobbin from the Machine



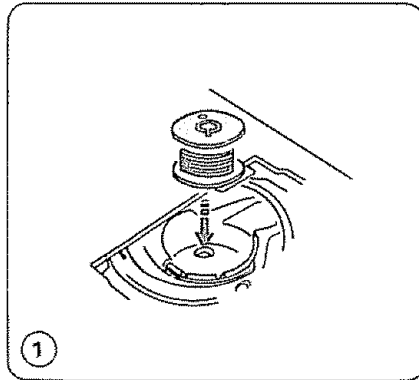
1. Gently push down on the bobbin cover plate and slide it towards you.
2. Set aside.
3. Lift out the bobbin, as shown.

• Wind the Bobbin

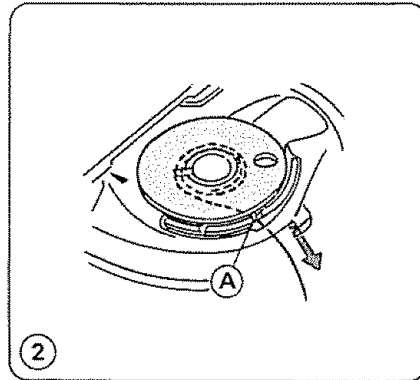


1. Put your spool of thread onto spool pin, with the thread winding in the direction shown.
2. Pull the clutch away from the machine to stop the needle from moving while you winding the bobbin.
3. Draw thread from spool through bobbin winder tension disc as shown.
4. Place the threaded bobbin on the bobbin winding spindle so that the thread comes out on top.
5. Push the bobbin winder spindle to the right until it clicks.
6. Holding onto end of thread, depress the foot control.
7. When the bobbin is slightly filled, stop the machine and clip the thread coming from the bobbin.
8. Slowly start the machine again and wind the thread until the bobbin stops.
9. Push the bobbin winder spindle to the left and clip the thread.
10. Remove the bobbin.
11. Push in the clutch for normal sewing operation.

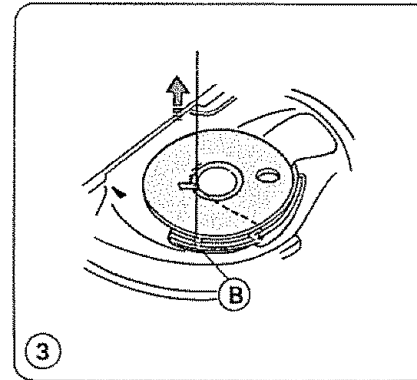
- Insert the Bobbin into the Bobbin Holder



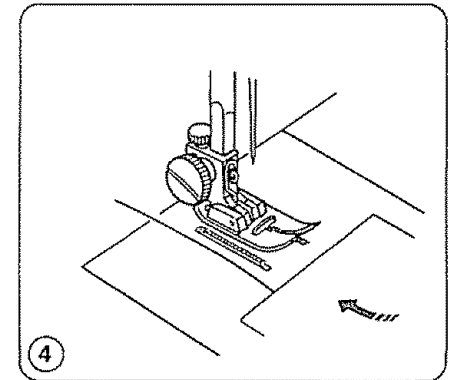
1. Put the bobbin into the bobbin holder so that the thread feeds counter-clockwise (left).



2. Pull about 4 inches of thread toward you through the tension slot (A).



3. Then pull the thread clockwise toward the back of the machine through the slot (B).

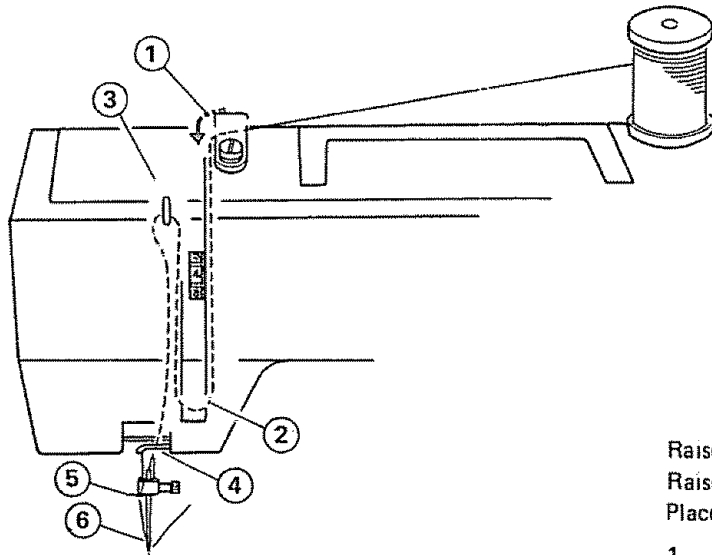


4. Slide the bobbin cover plate while pushing it down slightly over the bobbin. Allow about 4 inches of thread to show above the needle plate.

SECTION 2. PREPARE YOUR MACHINE FOR SEWING

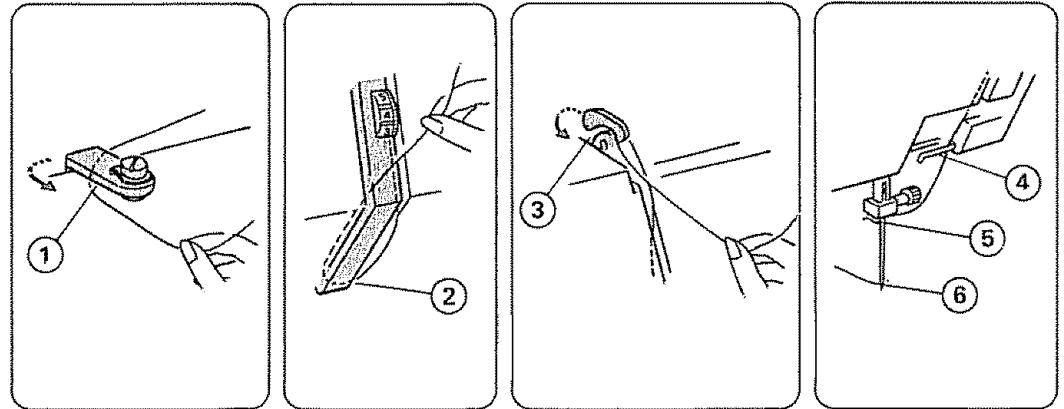
Prepare Your Top Thread

• Thread Your Needle



The numbered steps above follow the numbers on the illustrations.

Dotted lines show places where the thread loops and then is pulled tight.



Raise take-up lever to its highest position by turning hand wheel toward you.

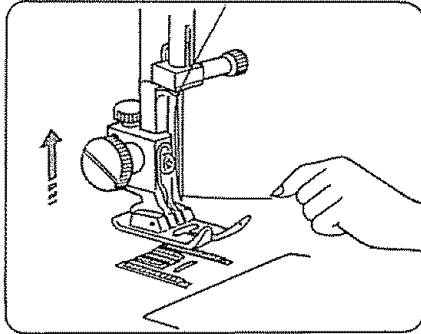
Raise presser foot lever.

Place spool on spool pin as shown, with thread coming from the back of the spool.

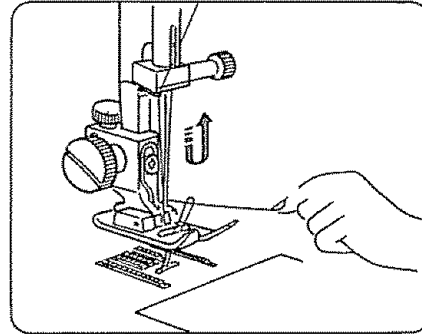
1. Draw thread into thread guide using both hands.
2. While holding thread near spool, draw thread down into the tension area and then around the check spring holder.
3. Firmly draw thread up and through take-up lever from right to left.
4. Draw thread down and slip it through the thread guide.
5. Thread then is slipped into needle bar thread guide.
6. Thread needle from front to back.

NOTE: You may want to cut the end of thread with sharp scissors for easier needle threading.

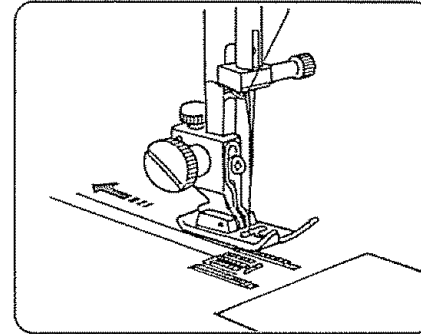
• Pick Up Your Bobbin Thread



1. Raise presser foot lever. Hold needle thread loosely in left hand and rotate handwheel toward you one complete turn.



2. Bring bobbin thread up by pulling top thread.

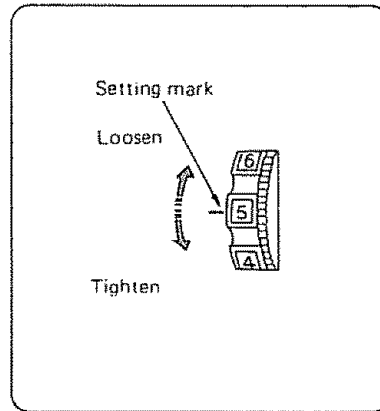
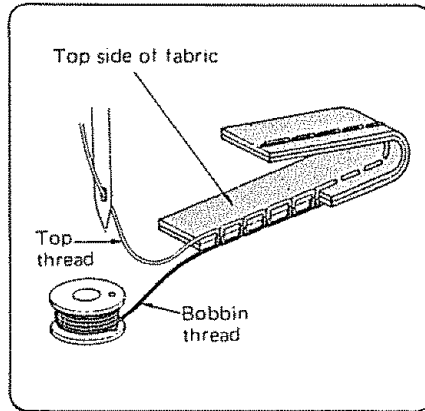


3. Pull both threads under and to the back of the presser foot, leaving 4 to 6 inches of thread clear.

SECTION 2. PREPARE YOUR MACHINE FOR SEWING

Prepare Your Top Thread (Continued)

• Adjust the Top Thread Tension



For Straight Stitch

The ideal straight stitch will have threads locked between the two layers of fabric, as shown above, magnified to show detail.

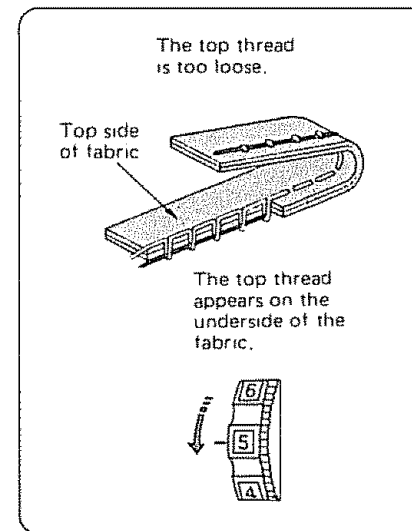
If you look at the stitch, front and back, you will notice that there are no gaps, that each stitch is smooth and even.

When adjusting top thread tension, the higher the number, the tighter the top thread.

Choose the Correct Tension:

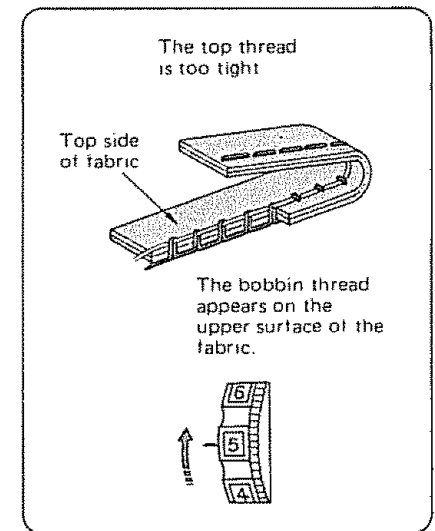
The best tension will depend on;

- _____ the stiffness and thickness of the fabric
- _____ the number of fabric layers
- _____ the type of stitch



Tension is too loose:

The top thread shows through the bottom of the fabric. The bottom side of the stitch will feel bumpy.

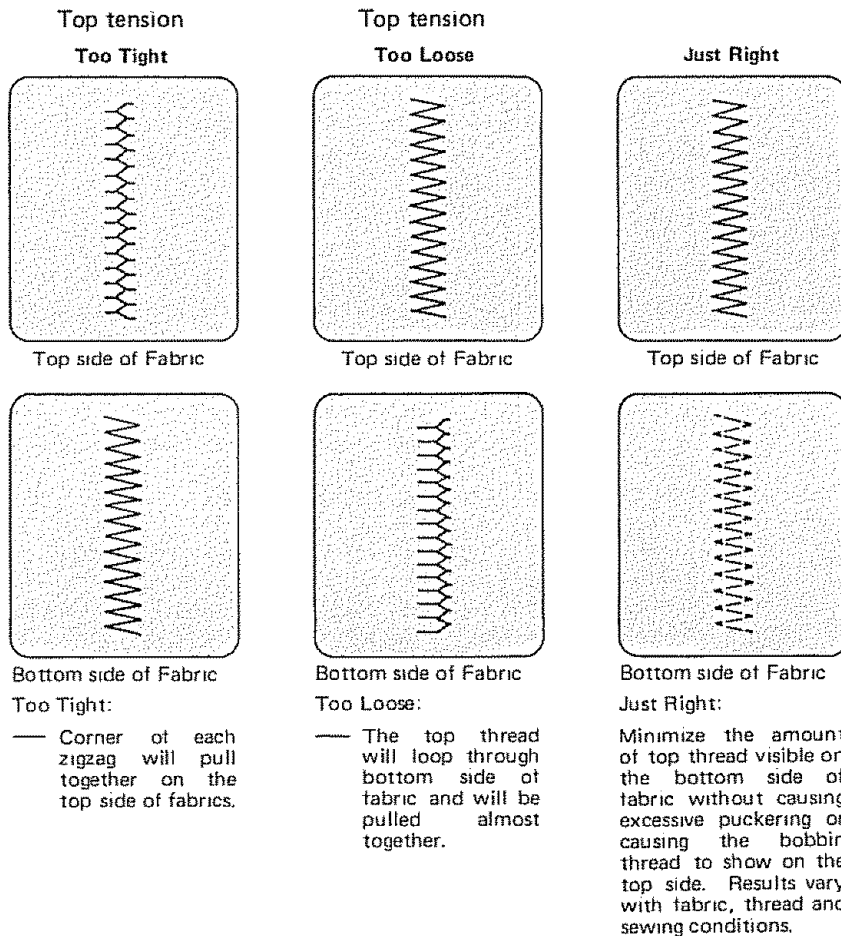


Tension is too tight:

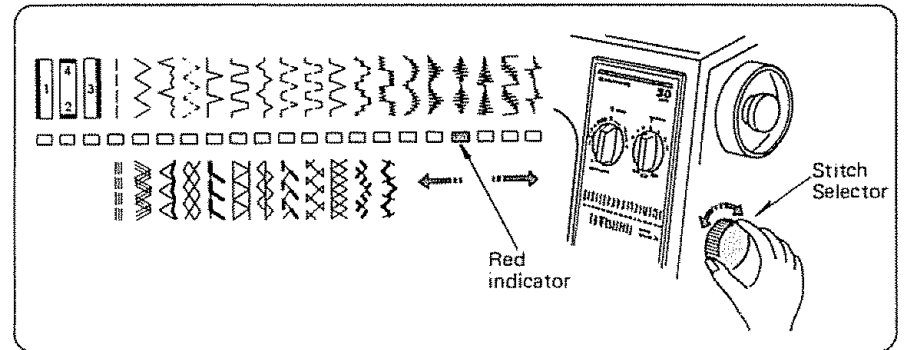
The bobbin thread will come through the top of the fabric. The top side of the stitch will feel bumpy.

For Zigzag Stitch

In the correct zigzag stitch, the bobbin threads will not show on the top side of fabric and the top threads will show slightly on the bottom side. See below for the correct appearance. To match this appearance, adjust your top tension.



Stitch Selector



The stitch selector control determines the stitch you select. Simply turn this control until the desired stitch is indicated by the red indicator on the stitch indicator panel. The bottom row of stitches is selected when the stitch length control is set at the stretch stitch position.

NOTE. To avoid needle or fabric damage, be sure your needle is up and out of fabric when selecting a stitch.

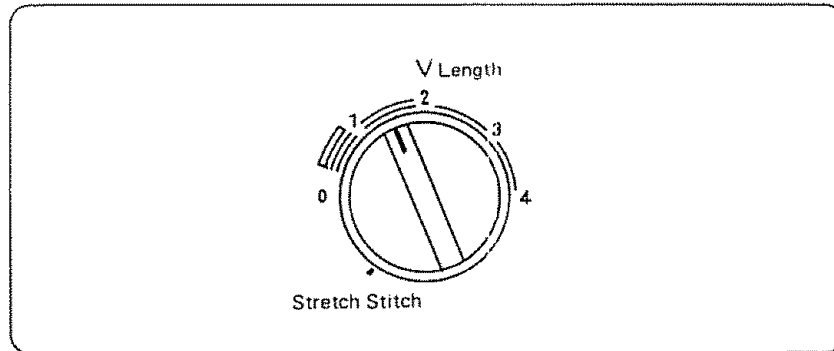
Stitch patterns are color-coded to recommend setting zones at the stitch length control.

ZONES

- Orange Straight, Zigzag and Utility Stitches
- Green Geometric Decorative Stitches
- Blue Built-in Buttonhole Making
- Yellow Stretch Stitches

SECTION 2. PREPARE YOUR MACHINE FOR SEWING

Stitch Length Control



The stitch length control regulates the length of stitch, and also has a stretch stitches setting.

The higher the number, the longer the stitch.

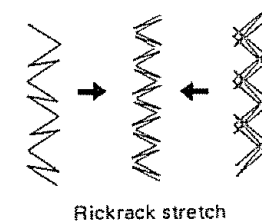
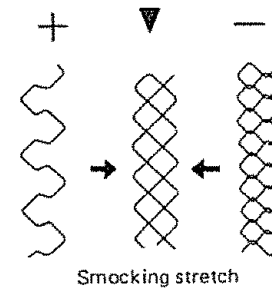
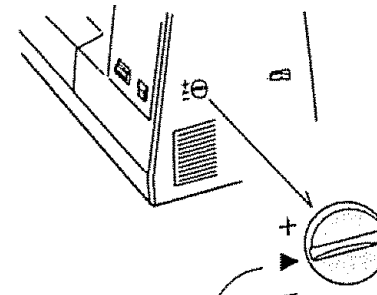
0 means no feed.

To select Stretch Stitches, set this control at Stretch Stitch.

NOTE: When you select decorative stitches (green) or built-in buttonhole (blue), make sure that you do not set the stitch length control at "Stretch Stitch".

Study the orange, green, yellow and blue section around this control. These are recommended zones of stitch length and color-coded to the stitches pictured on the stitch indicator panel.

Adjusting Stretch Stitch Balance

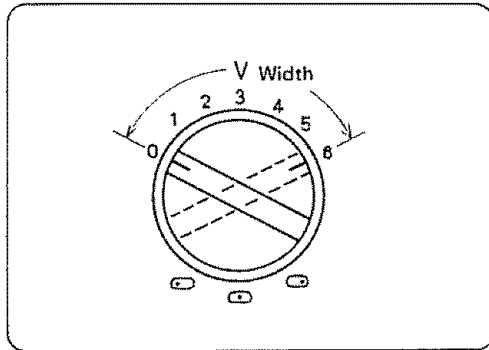


In stretch stitch sewing, the stretch stitch adjuster should usually be in a neutral position (between "+" and "-", or \blacktriangledown position). When sewing some fabrics, you may need to adjust this control to balance the stitches for appearance sake.

If design seems open like the illustrations to the left, adjust the control slightly toward "-" until design looks like the center design.

If the design appears to be closed as in the right hand illustrations, turn the control toward "+" until stitching is as you desire.

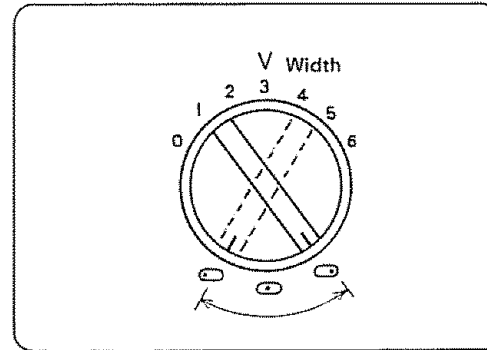
Stitch Width Control



The stitch width control regulates the width of the stitch you select.

The higher the number, the wider the stitch.

• Three Needle Position



The stitch width control also regulates the needle positions for straight stitching.

- LEFT needle position
- CENTER needle position
- RIGHT needle position

First select straight stitch by turning the stitch selector control, then select the desired needle position by turning the stitch width control.

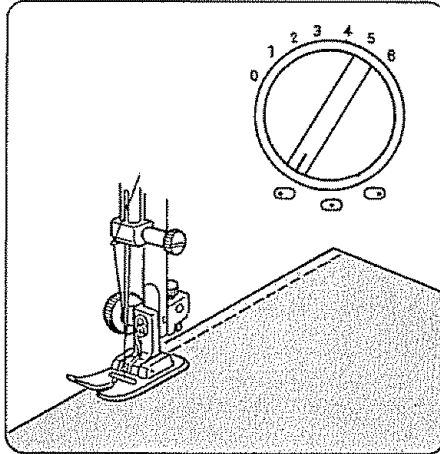
You can easily adjust your needle from left to right without moving your fabric from under the presser foot.

NOTE: Setting the stitch width control at 0 position also gives you center needle position.

SECTION 2. PREPARE YOUR MACHINE FOR SEWING

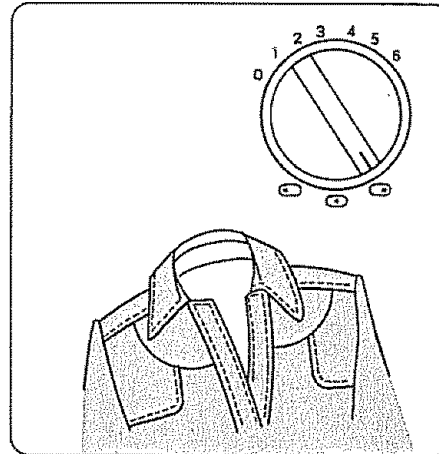
Stitch Width Control (Continued)

- Three Needle Position



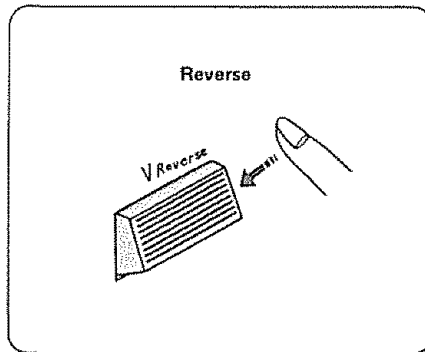
Left Needle Position

Set the dial at left needle position when sewing the edge of the fabric.



Right Needle Position

Set the dial at Right needle position for top stitching when sewing on collar of jacket etc.

Reverse Stitch Control

To reverse stitch, hold down this control during sewing.

Release to sew forward again.

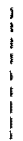





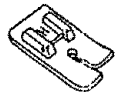









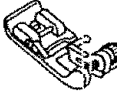
Starting To Sew

Now that you are familiar with the controls on your machine and with the accessories provided for the machine, you are ready to start to sew with your new Kenmore sewing machine. Below are some good habits to follow each time you sit down to sew:




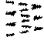





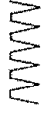

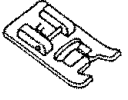


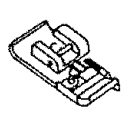
1. Inspect the needle. It should be straight, properly set and sharp on the point. It should be the correct size for the fabric and thread being used. Do not be afraid to change your needle frequently. Many of the new fabrics made of synthetic blends tend to dull the needles more easily than fabrics made of natural fibers.
2. Before placing the material on the machine, see that the ends of the threads have been drawn about 4 inches to the rear of the machine. Hold on to threads during the sewing of the first 3 or 4 stitches of the seam.
3. Test the machine stitch on a scrap of fabric you plan to use. The fabric should be double thickness. Adjust the machine for the length of stitch and tension suitable to your fabric.
4. Fabric should be placed under the presser foot with the bulk of the material to the left of the needle and the right edge of the material placed on the 5/8" seam marking on the needle plate when making a simple seam.
5. Run the machine at a slow even speed. The more pressure you put on the foot control, the faster the machine will sew.
6. Fasten each seam by back tacking at the beginning and end of the seam.
7. Always finish sewing each seam with the needle at its highest point.
8. Guide the fabric gently with your hand in front of the needle. Never pull or hold the fabric in such a way that the normal feeding is altered.
9. When turning the hand wheel manually, always turn it toward you.

SECTION 3. LEARN THE STITCHES

Practical Stitch Chart







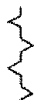





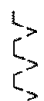
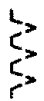

Stitch	Stitch Selection	Foot and Other Attach.	Needle	Thread Tension	Stitch Length	Stitch Width	Uses	Refer to Page
STRAIGHT 		Straight  Quilter Darning plate Zipper foot	Check Chart on p. 15	2 ~ 6	Orange Zone	0 or 	Regular seams, zippers, topstitching, darning, etc.	31 ~ 32, 52 ~ 53
STRAIGHT STRETCH 		Straight 	Check Chart on p. 15	2 ~ 6	Yellow Stretch Stitch Position	0 or 	Use on knits and other stretch fabrics, good for topstitching.	34
ZIGZAG 		Zigzag 	Check Chart on p. 15	3 ~ 8	Orange Zone	1 ~ 6	Finish edges, buttons, satin stitch, applique, monogram, embroidery, sewing bar tacks.	35 ~ 39
RICK-RACK STRETCH 		Zigzag 	Check Chart on p. 15	2 ~ 6	Yellow Stretch Stitch Position	2 ~ 6	Decorate garments with one row or several.	40
BLIND HEM STITCH 		Blind hem stitch 	Check Chart on p. 15	2 ~ 6	Orange Zone	2 ~ 3	Use for finishing seams.	43

SECTION 3. LEARN THE STITCHES





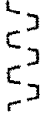


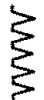







Stitch	Stitch Selection	Foot and Other Attach.	Needle	Thread Tension	Stitch Length	Stitch Width	Uses	Refer to Page
OVERCAST STRETCH 		Zigzag 	Check Chart on p. <u>15</u>	2 ~ 6	Yellow Stretch Stitch Position	3 ~ 6	Use for swimwear, ski pants and other garments that require stretch.	42
THREE-STEP ZIGZAG 		Zigzag 	Check Chart on p. <u>15</u>	2 ~ 6	0.5 ~ 1	5 ~ 6	Use for finishing seams.	41
SMOCKING STITCH 		Zigzag 	Check Chart on p. <u>15</u>	2 ~ 6	Yellow Stretch Stitch Position	3 ~ 6	Use in smocking or as a decorative stitch.	55
SHELL STITCH 		Satin 	Check Chart on p. <u>15</u>	4 ~ 9	Orange Zone	3 ~ 6	Finish hems, sleeve and neck openings. Use on nylon tricot and other lingerie to overcast and seam. Do shell tucking on blouses and lingerie.	54
SERGING 		Overedge 	Blue (11) on p. <u>15</u>	3 ~ 6	Yellow Stretch Stitch Position	3 ~ 6	Finish hems, sleeve and neck openings. Use on nylon tricot and other lingerie to overcast and seam. Do shell tucking on blouses and lingerie.	42

SECTION 3. LEARN THE STITCHES

Practical Stitch Chart (Continued)



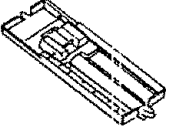
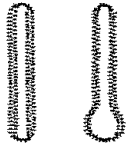

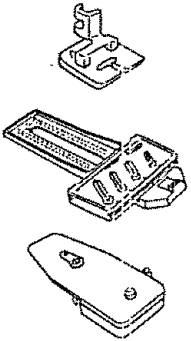



Stitch	Stitch Selection	Foot and Other Attach.	Needle	Thread Tension	Stitch Length	Stitch Width	Uses	Refer to Page
BOX STITCHING 		Zigzag 	Check Chart on p. <u>15</u>	3 ~ 8	Orange Zone	3 ~ 6	Use for overlapping seams.	57
ELASTIC STRETCH 		Zigzag 	Check Chart on p. <u>15</u>	3 ~ 6	Yellow Stretch Stitch Position	3 ~ 6	Use for applying elastic.	57
FAGOTING 		Zigzag 	Check Chart on p. <u>15</u>	3 ~ 8	0.5 ~ 2	5 ~ 6	Join two folded edges for decorative open-work appearance.	56
STRETCH PATCHING 		Zigzag 	Check Chart on p. <u>15</u>	2 ~ 6	Yellow Stretch Stitch Position	5 ~ 6	Use for patchwork quilting.	55
TWO-POINT SHELL STITCHING 		Zigzag 	Check Chart on p. <u>15</u>	3 ~ 8	Orange Zone	3 ~ 6	Do shell tucking on blouses and lingerie. This stitch can also be used as a single overlock stitch as well.	54

SECTION 3. LEARN THE STITCHES

Stitch	Stitch Selection	Foot and Other Attach.	Needle	Thread Tension	Stitch Length	Stitch Width	Uses	Refer to Page
HERRING BONE STRETCH 		Zigzag 	Check Chart on p. <u>15</u>	2 ~ 6	Yellow Stretch Stitch Position	3 ~ 6	Use as hemming stitch for blankets, tablecloth and draperies.	56
TWO-POINT BOX STITCH 		Zigzag 	Check Chart on p. <u>15</u>	3 ~ 8	Orange Zone	3 ~ 6	Use for overlapping seams.	58
OVEREDGE STITCH 		Zigzag 	Check Chart on p. <u>15</u>	3 ~ 8	Orange Zone	3 ~ 6	Use for overedging.	58
STRETCH STITCH DECORATIVE 		Zigzag 	Check Chart on p. <u>15</u>	2 ~ 6	Yellow Stretch Stitch Position	3 ~ 6	Use in smocking or as a decorative stitch.	59
DECORATIVE GEOMETRICS 		Satin 	Check Chart on p. <u>15</u>	3 ~ 8	Green Zone	3 ~ 6	Decorate garments with one row or several, one stitch or a combination.	60

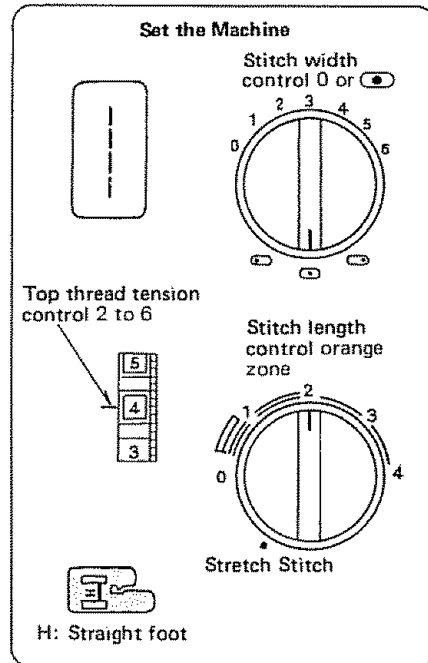
SECTION 3. LEARN THE STITCHES

Practical Stitch Chart (Continued)

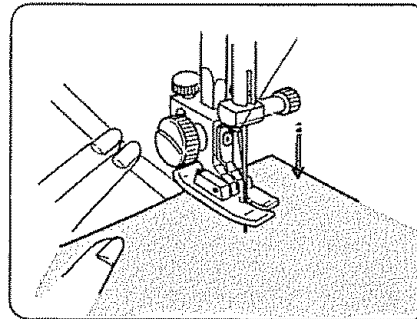
Stitch	Stitch Selection	Foot and Other Attach.	Needle	Thread Tension	Stitch Length	Stitch Width	Uses	Refer to Page
<p>BUTTONHOLE</p> 		<p>Sliding buttonhole</p> 	<p>Check Chart on p. <u>15</u></p>	2 ~ 6	Blue Zone	3 ~ 6	Buttonholes: also corded buttonholes.	46 ~ 47
		<p>Buttonhole</p> 	<p>Check Chart on p. <u>15</u></p>	2 ~ 6	4	2	Straight buttonholes and keyhole buttonholes.	48 ~ 51
<p>SATIN STITCH</p> 		<p>Satin</p> 	<p>Check Chart on p. <u>15</u></p>	3 ~ 8	0.5 ~ 1	2 ~ 6	Use for applique work, also as decorative finish for placemats, blankets, collars, cuffs and pockets.	36

Straight Stitches

• Straight Stitch



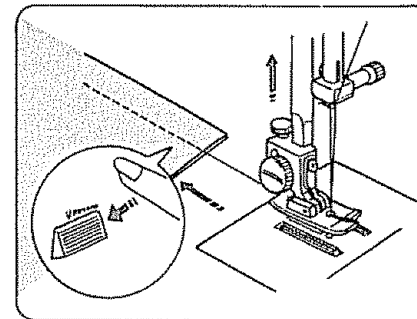
NOTE: Best sewing results are obtained with the straight stitch foot, but the zigzag foot will also provide acceptable results, and can be used for all needle positions.



Before sewing with the straight stitch foot, always set the stitch width control to 0 or to avoid breaking the needle.

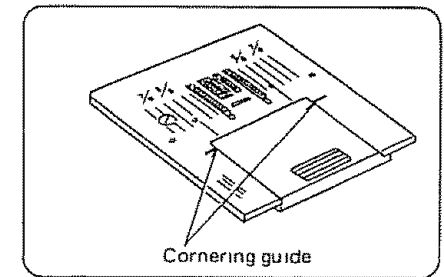
1. Raise the presser foot.
2. Raise the needle to its highest position.
3. Place the edge of the fabric next to a stitching guide line on the needle plate (5/8" is most common).
4. Draw the threads toward the back and lower the presser foot.
5. Press the foot control.
6. Hold the fabric loosely and gently guide it along the guide line, so that it feeds naturally.

Do not force the fabric or try to pull it tight.



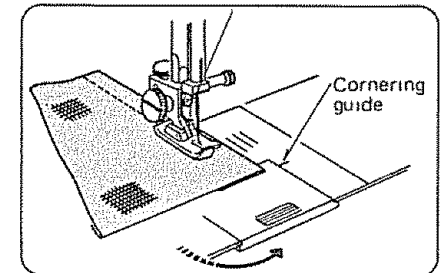
7. At the beginning and end of seam, you may want to reverse to lock the stitch.
8. Raise the presser foot and remove the fabric.
9. Cut the threads.

• Use the Seam Guides



The seam guides on the needle plate are engraved to help you measure seam width. The lines are 1/8" apart, with the 5/8" and 7/8" lines marked.

• Turn a Square Corner



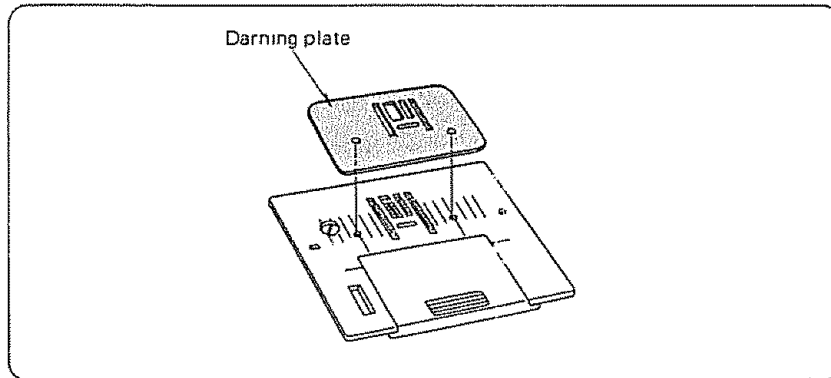
To turn a square corner 5/8" from the fabric edge:

1. Stop stitching and lower the needle by turning hand wheel toward you when the fabric edge facing you lines up with the cornering guide, as shown.
2. Raise the presser foot and turn the fabric to line the edge with the 5/8" seam guide.
3. Lower the presser foot and begin stitching in the new direction.

SECTION 3. LEARN THE STITCHES

Straight Stitches (Continued)

• Use the Darning Plate



Sometimes when you sew, you want to control the fabric yourself. The Darning Plate covers the feed dogs so that they do not touch the fabric.

To Put on the Darning Plate:

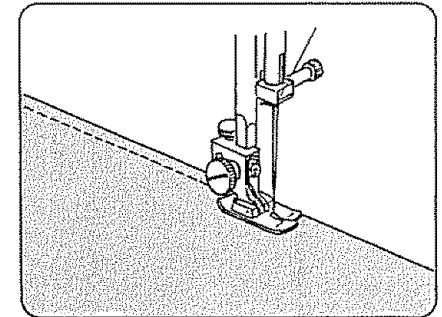
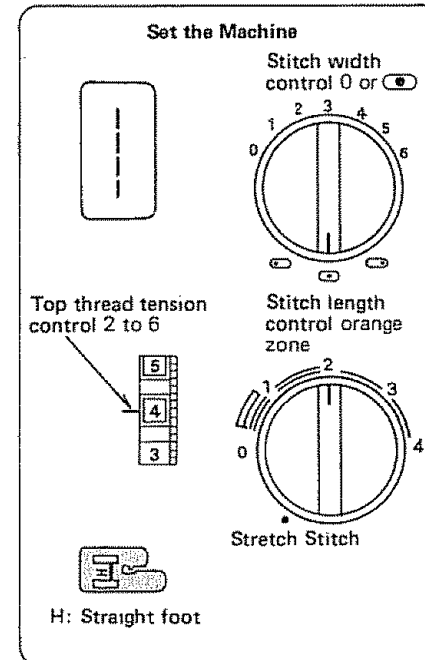
NOTE: The rectangular holes in the Darning Plate match the holes in the needle plate. In the darning plate, these holes are slightly to the right of center.

1. Position the darning plate with the pins on the bottom.
2. Fit the darning plate pins into the needle plate holes at the 5/8" mark. The feed dogs will show through the darning plate holes.

Use the darning plate in the following ways:

- Darning (see page [34](#)),
- Button Sewing (see page [39](#))

• Topstitching



Here's How

1. Lower the presser foot.
2. Keep the edge of the fabric next to the right edge of the presser foot.
3. Evenly guide the fabric along this edge to produce an even row of topstitching 5/8" from the edge.

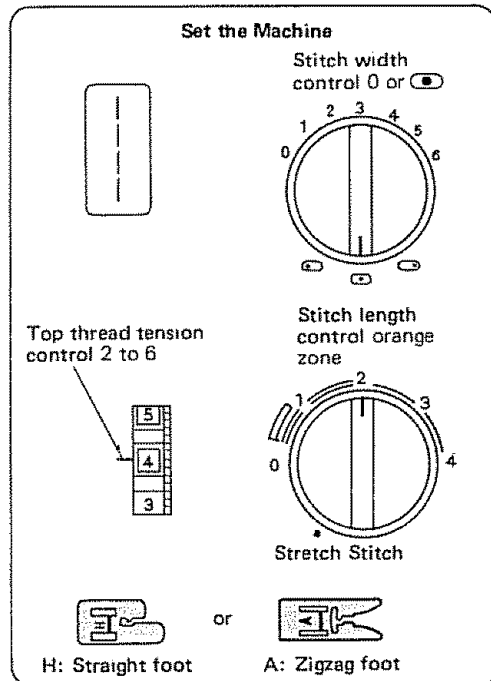
The Stitch and Its Uses

Topstitching emphasizes the lines of your garment and keeps seams and edges flat and crisp.

Accent suits or blouses with one or two rows of topstitching around the outer edges of cuffs, lapels or collars.

Straight Stitches

• Quilting

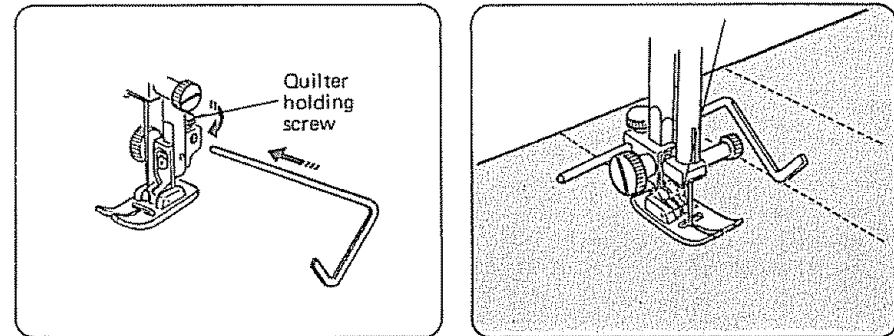


The Stitch and Its Uses

Quilting is stitching two layers of fabric together with batting in between to add dimension and warmth.

Traditionally, quilting has been used for bed covers, but now it is used everywhere.

You can use quilting on entire garments or parts of garments, such as yokes, pockets, cuffs and collars. It is also popular for table fashions. In addition to straight stitch quilting, you can quilt with decorative stitches or stitch pattern combinations.



Here's How

To do quilting successfully, follow these simple steps:

1. Loosen the quilter screw on the back of the presser foot as shown.
2. Slide the quilting guide into the opening under the screw to the width between lines of quilting stitches you desire.
3. Tighten the screw.
4. Sew the first row of stitching.
5. Sew other rows, guiding the quilting guide over the previous row of stitching.

NOTE: When you are quilting large areas, tack the layers together with the basting stitch. Then quilt from the center out.

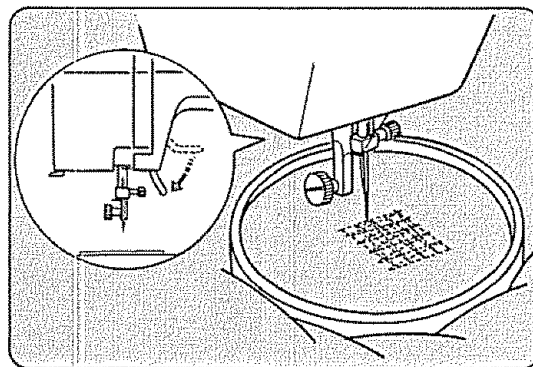
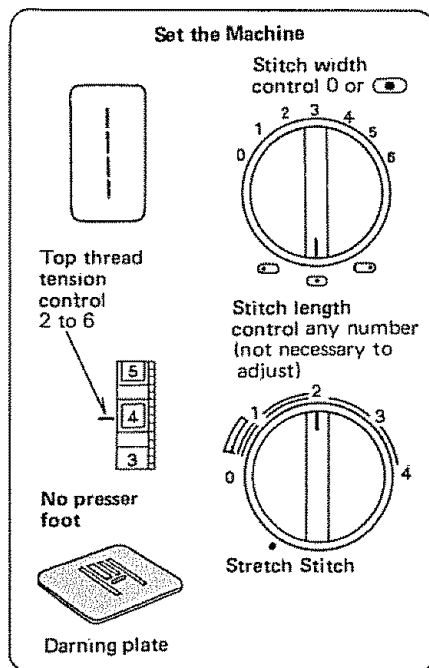
Another quilting variation:

Instead of quilting with rows of straight stitches, you can bartack your quilt at regular intervals.

Set up the machine as if you were going to sew a button (see page 39). Position your fabric and bartack.

SECTION 3. LEARN THE STITCHES

Darning



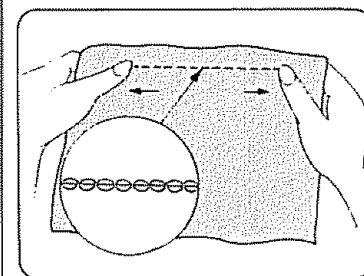
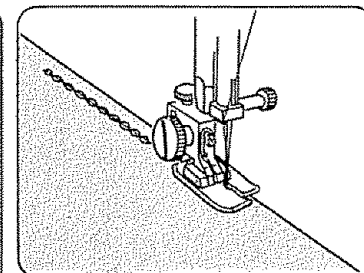
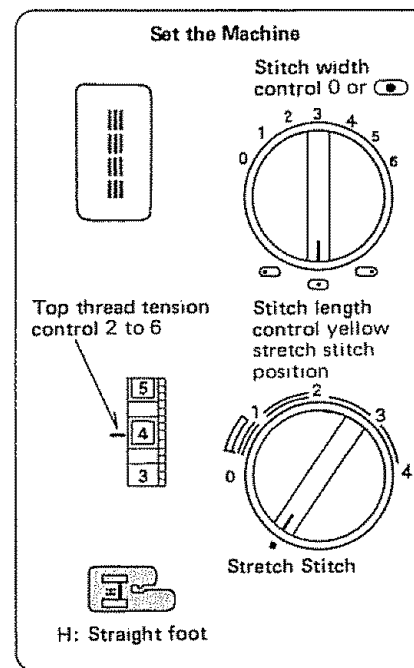
Here's How

1. Put the darning plate on the needle plate (see page 32).
2. Remove presser foot and foot holder (see page 10), stretch fabric between embroidery hoops with hole centered.
3. Draw the bobbin thread up through the fabric by holding the top thread and taking one stitch at the spot where you wish to start darning.
4. Lower the presser bar and sew at a slow speed.
5. Move the fabric back and forth slowly until you have covered the darning area.
6. Turn the fabric half turn and sew another layer of stitching over the first layer.

NOTE: If your fabric is thin or badly damaged, use a separate piece of fabric under the hole to reinforce it.

7. When you finish darning, remove the darning plate and replace foot holder and foot.

Straight Stretch



Stretch stitching was developed to be used on stretch fabrics and knits. It can be used on other fabrics as well. It works well on curved seams and on any garments that will receive a great deal of strain (ie. children's clothes).

The Stitch and Its Uses

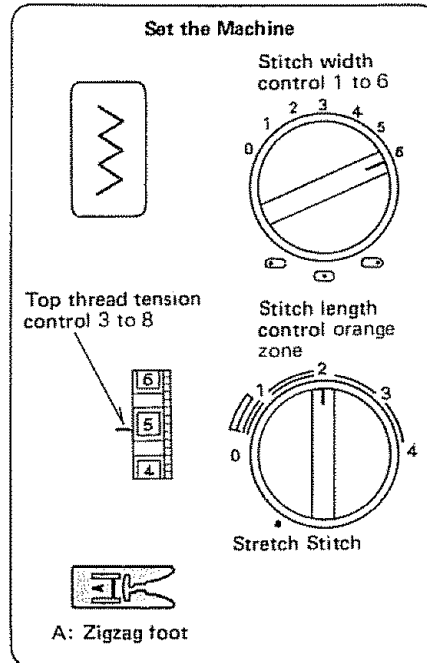
This stitch is the stretch variation of the straight stitch, especially developed for knits and stretch fabrics.

This stitch can also be used for topstitching on all fabrics.

The stretch stitch does not actually stretch as it is being sewn, but is stitched in a forward and back motion (sometimes called a "reverse-action" stitch), so that it will give when the fabric stretches instead of breaking.

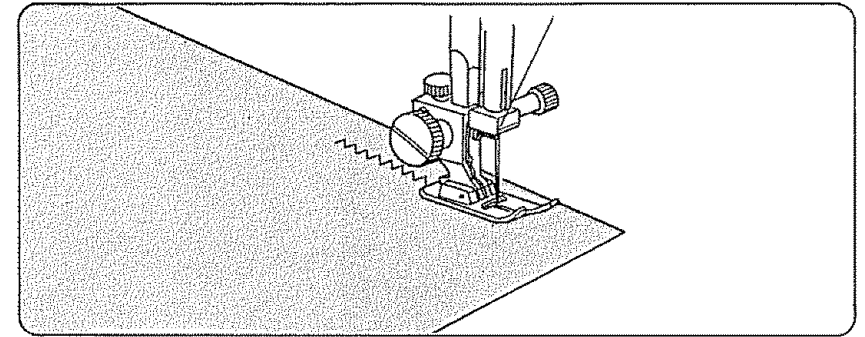
Zigzag Stitches

- Basic Zigzag



The Stitch and Its Uses

The zigzag stitch is one of the most common and most versatile stitches on your machine. It can be a utility stitch for sewing buttons, buttonholes, hemming, overcasting, mending and darning. It can also be used to decorate with trims, appliques and cut-out work or as a decorative stitch.



Here's How

There are many ways to sew a zigzag stitch.

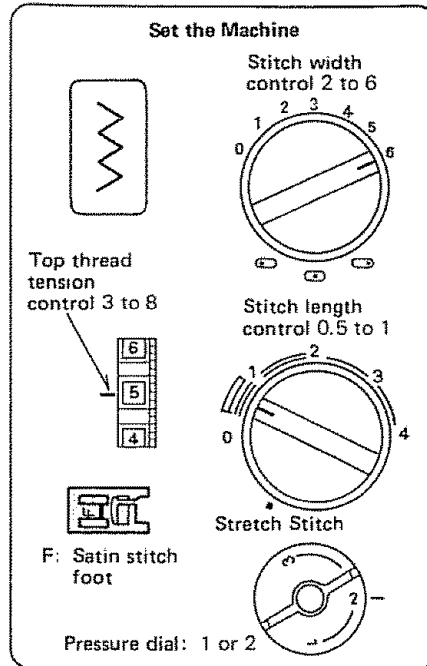
Consult the specific variations for detailed directions.

Satin Stitch page [36](#),
 Applique Work page [37](#),
 Bar Tacking page [37](#),
 Monogramming page [38](#),
 Embroidery page [38](#),
 Button Sewing page [39](#),
 Overcasting page [40](#).

SECTION 3. LEARN THE STITCHES

Zigzag Stitches (Continued)

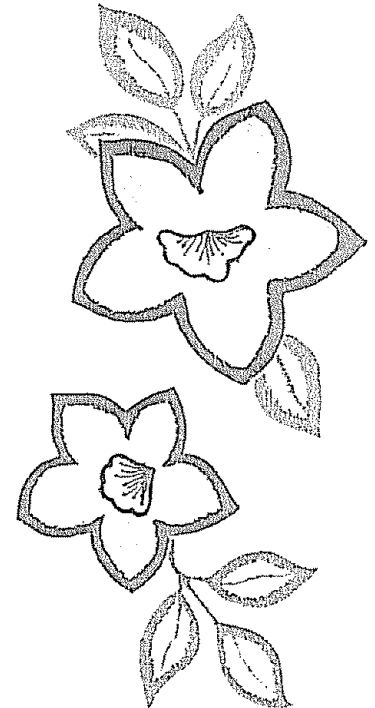
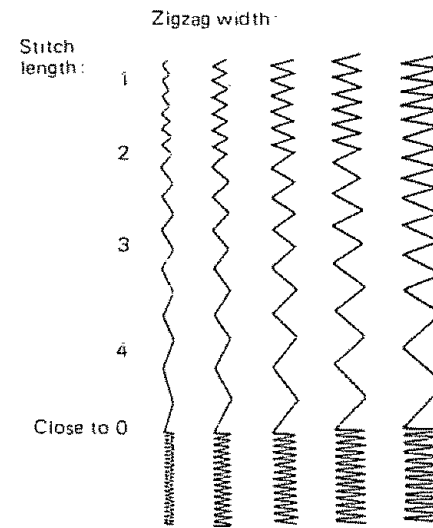
- Satin Stitch



The Stitch and Its Uses

The Satin stitch is a versatile and often used decorative stitch, but it can also be used to overcast a raw edge (for example, blankets, linens, tablecloths and napkins).

The Satin stitch is especially attractive in applique.




Here's How

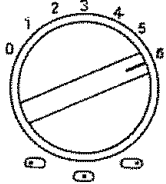
Once your machine is set up to stitch, you may want to experiment on a fragment of the fabric you are planning to use. Too tight satin stitch may pucker some light weight fabrics.

• Applique

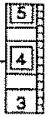
Set the Machine



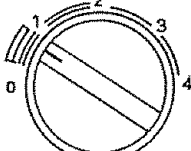
Stitch width control 2 to 6



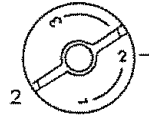
Top thread tension control 2 to 6




Stitch length control 0.5 to 1




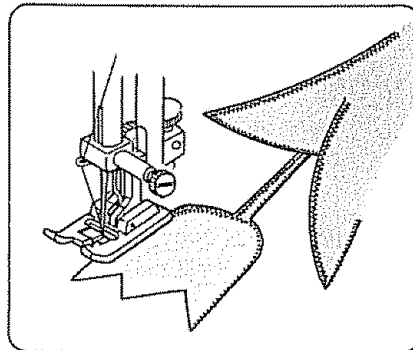
Stretch Stitch



Pressure dial: 2



F: Satin stitch foot





Baste (or fuse with iron-on fabric joiner) applique pieces on the fabric. Stitch around the applique making sure the needle falls along the outer edge of the applique.

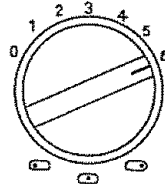
When sewing corners, lower the needle down into the fabric. Raise the presser foot and pivot the fabric to the right or left.

• Bar Tacking


Set the Machine



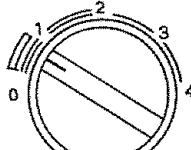
Stitch width control 2 to 6




Top thread tension control 2 to 6




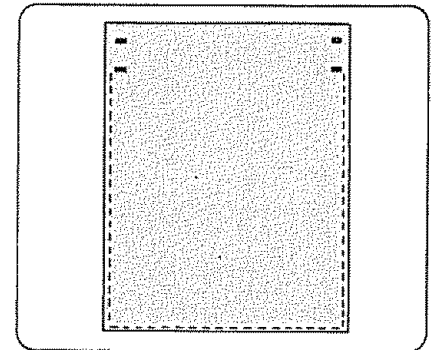
Stitch length control 0.5 to 1



Stretch Stitch



A: Zigzag foot

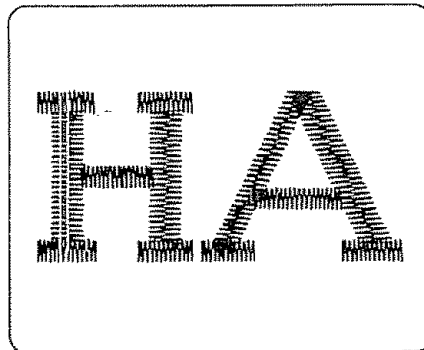
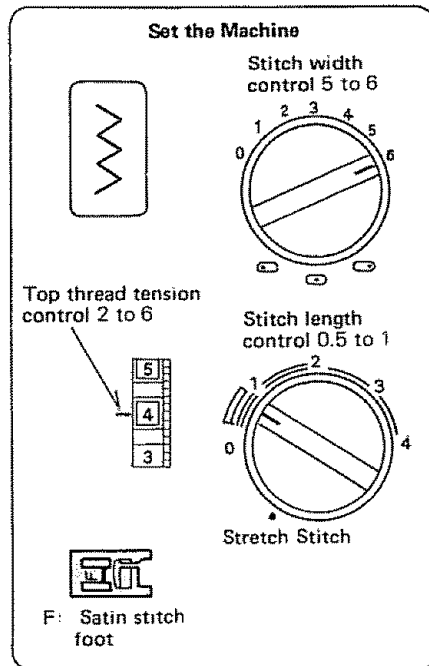
This stitch is similar to a very short satin stitch and is used to reinforce points of strain such as corners or pockets and straps on lingerie.

Sew 4 to 6 zigzag stitches.

SECTION 3. LEARN THE STITCHES

Zigzag Stitches (Continued)

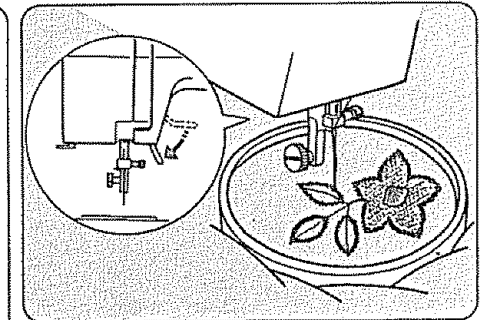
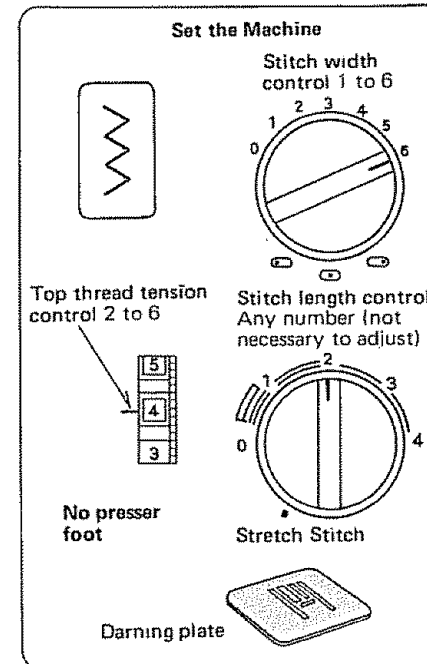
• Monogramming



Here's How

1. Set the same as satin stitch.
2. Back the fabric with paper or interfacing.
3. Draw the letters on the fabric with tailor's chalk.
4. Satin stitch, adjusting the stitch width as necessary to form each pattern.
5. If using paper, carefully remove it when you have finished sewing.

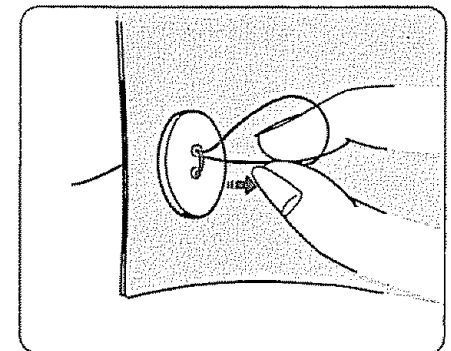
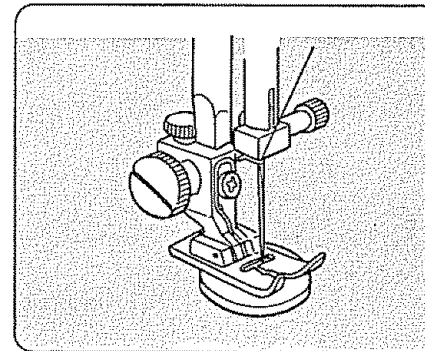
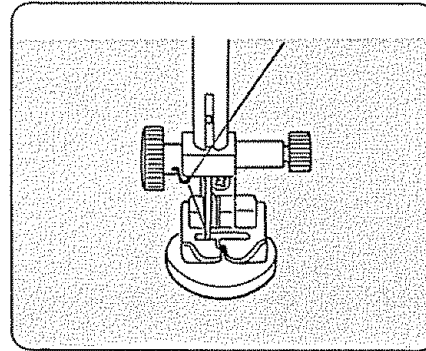
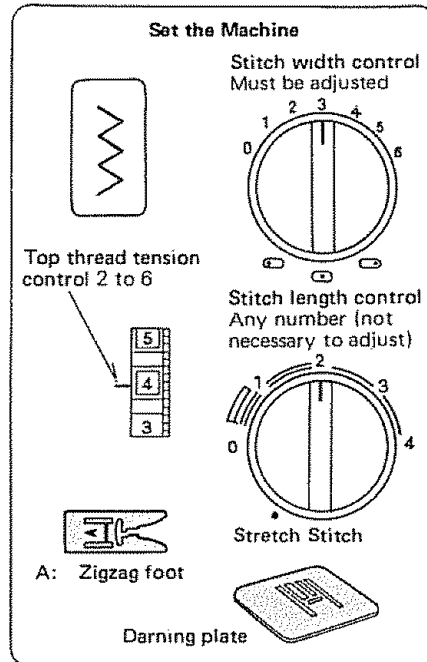
• Embroidery



Here's How

1. Put the darning plate on the needle plate (see page 32).
2. Remove foot holder (see page 10).
3. Adjust the stitch width as desired (see page 23).
4. Draw the design on to the fabric with tailor's chalk.
5. Stretch the fabric between embroidery hoops and place under the needle.
6. Lower the presser foot lever to engage the top thread tension.
7. Holding the top thread in your left hand, rotate the hand wheel toward you one complete turn. Pull the top thread to draw the bobbin thread through to the surface of the fabric.
8. Using a medium speed, stitch along the marked outline, guiding the fabric carefully by hand.

- Sew a Button



Use the darning plate for button sewing (see page 32).

1. Match the center of the button holes to the center of the slot on the presser foot.
2. Adjust the stitch width so that needle will drop in each hole.
3. Lower the foot to hold the button in place.
Turn the hand wheel by hand so that needle will enter either hole of the button.
4. Stitch several times.

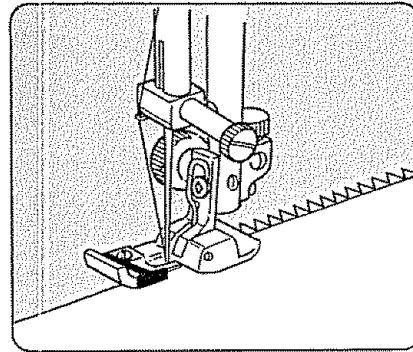
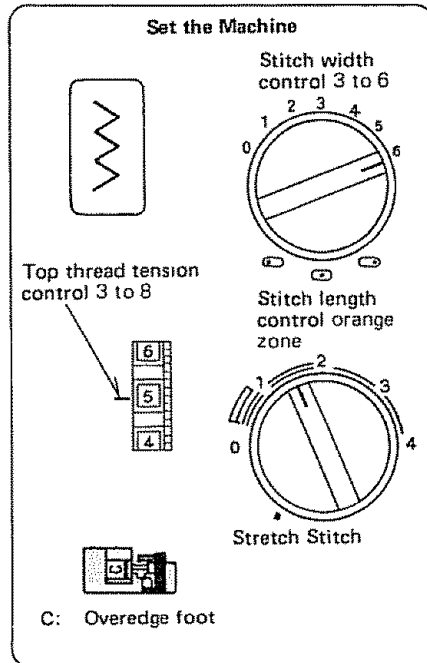
To strengthen the shank, cut the threads leaving a 8" tail. Bring the needle thread down through the hole in the button and wind it around the shank.

Draw the thread to the bottom side and knot.

SECTION 3. LEARN THE STITCHES

Zigzag Stitches (Continued)

• Overcasting Stitch



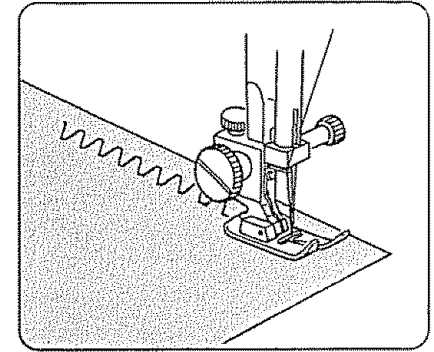
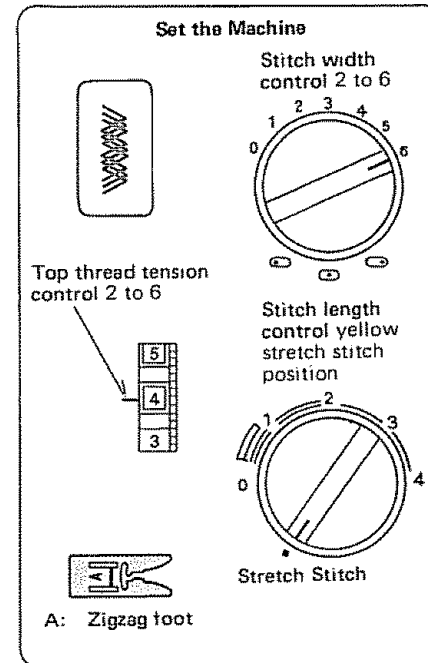
Helpful Hints

Start overcasting about 1/8" inside the raw corner of your seam. If you start right at the edge, the fabric will bunch up and the stitches will become tangled.

The Stitch and Its Uses

This zigzag variation is very useful in garment construction and in finishing raw edges of any sewing project.

• Rick-Rack Stretch

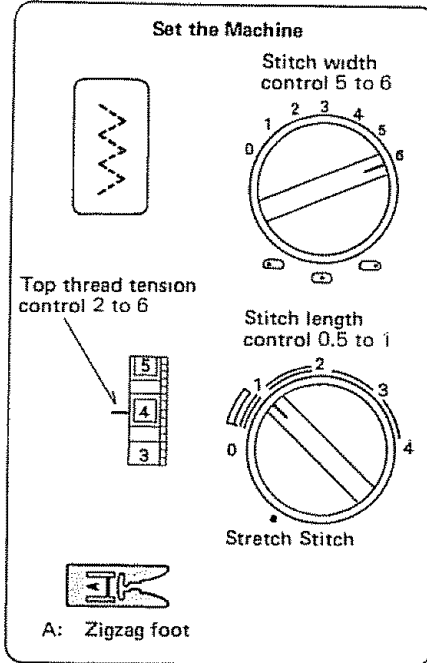


The Stitch and Its Uses

Sew on stretch fabrics in any area that you might use a zigzag stitch.

This stitch can be used as a decorative top stitch as well.

• Three-Step Zigzag

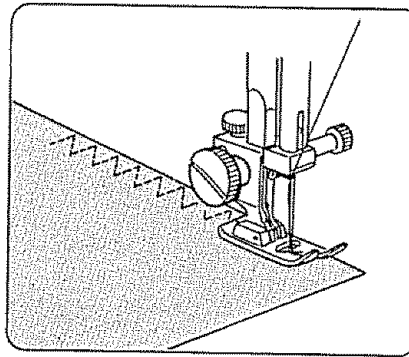


The Stitch and Its Uses

The three-step zigzag is a combination zigzag and straight stitch. You may use the three-step zigzag everywhere you would use the basic zigzag stitch. It has more strength, elasticity, and is flatter than a regular zigzag.

The three-step zigzag stitch is especially useful for:

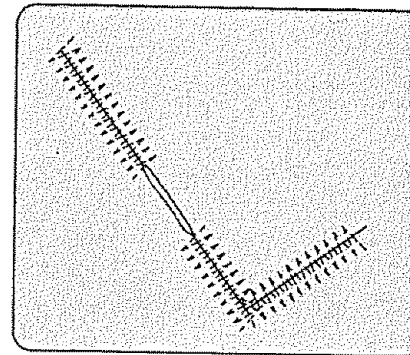
- mending
- sewing patches smoothly and securely.
- repairing straight tears.
- finishing seams.



Seam Finishing (Overcasting)

Place the fabric under the presser foot so that the edge will be slightly inside the right hand side of the presser foot.

Guide the work so the right hand stitches fall at the edge of the fabric.



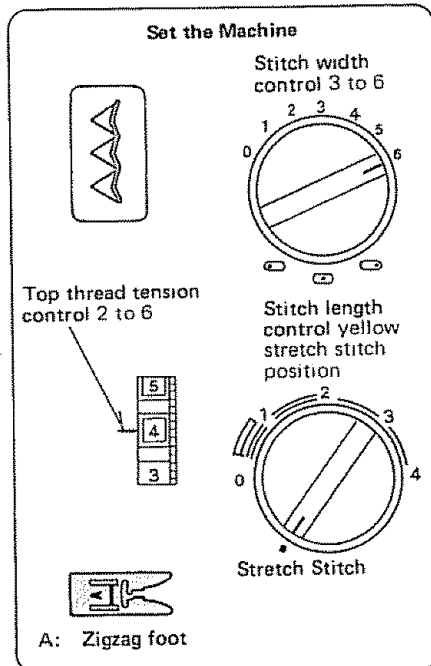
Mending

Position the tear under the needle so that the stitching will catch both sides.

SECTION 3. LEARN THE STITCHES

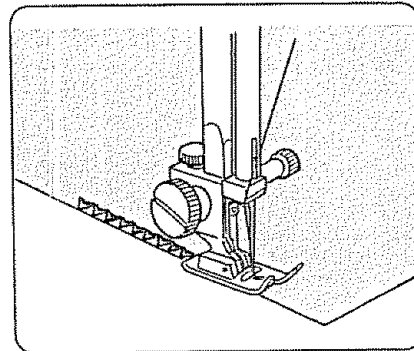
Zigzag Stitches (Continued)

• Overcast Stretch Stitching



The Stitch and Its Uses

This stitch can be used for sewing a seam with an overcast finish. The seam is formed and finished in one operation. It can be used when you are making swimwear, ski pants and other garments that require stretch.



Here's How

Place the raw edge of the fabric to the LEFT of the needle as shown.

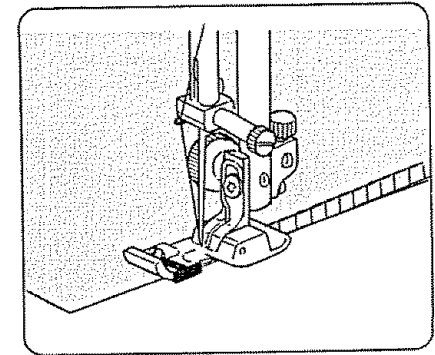
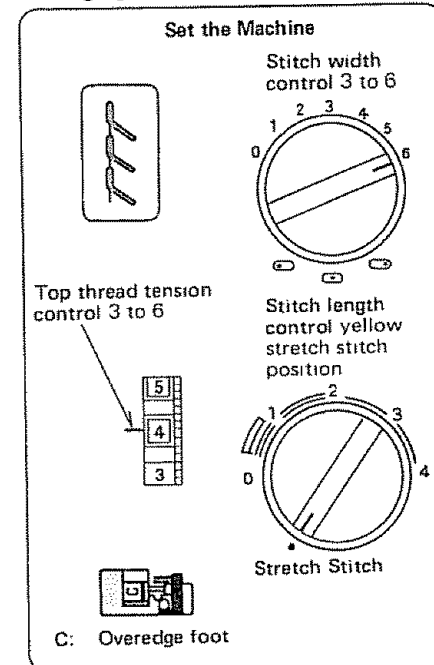
Stitch so the needle pierces the fabric just short of the outside edge.

Or, place your fabric to allow a 5/8" seam, then trim seam allowance after.

Raw or worn edges of older garments can be overcast to prevent further raveling.

NOTE: Use a blue stretch fabric needle, which effectively prevents skipped stitches.

• Serging or Pine Leaf Stretch Stitching



Here's How

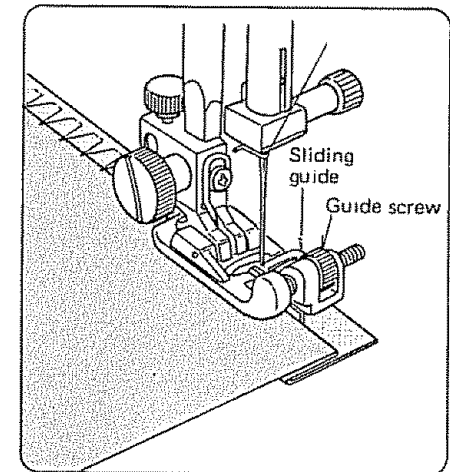
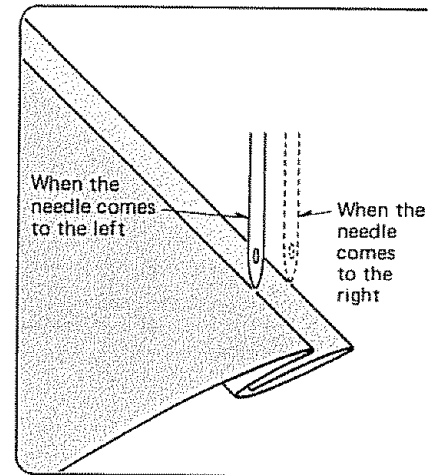
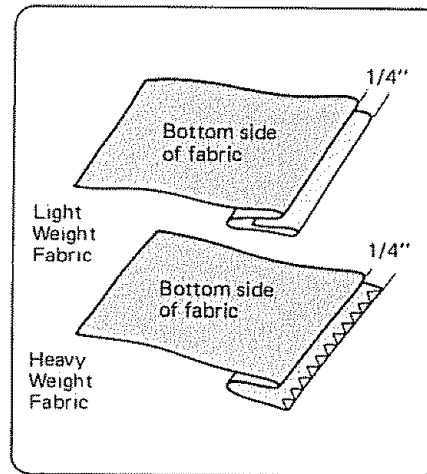
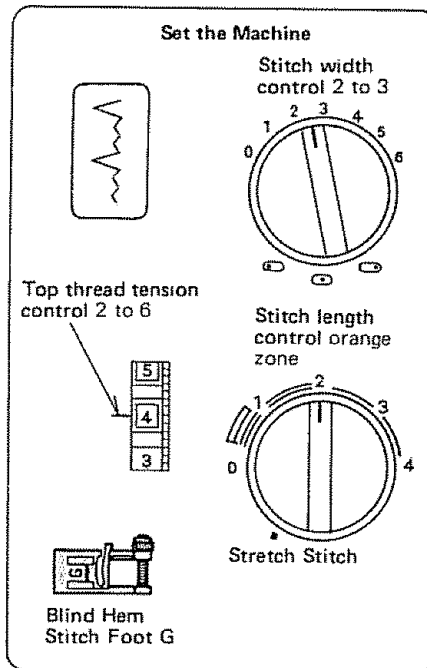
Place the fabric under the presser foot so that the stitches are made over the edge.

NOTE: When using stretch knit fabric, use a blue stretch fabric needle which effectively prevents skipped stitches.

The Stitch and Its Uses

Use this stitch when you want a narrow seam that you do not need to press open flat. It is ideal for 1/4" seams on knits or on medium to heavyweight woven fabrics where you want a narrow seam. It is also great for making elastic swim wear.

Blind Hemming



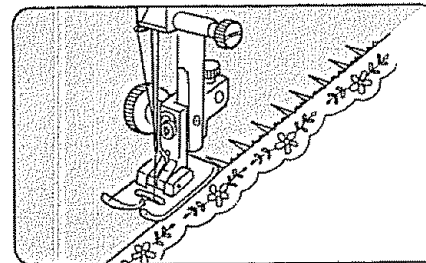
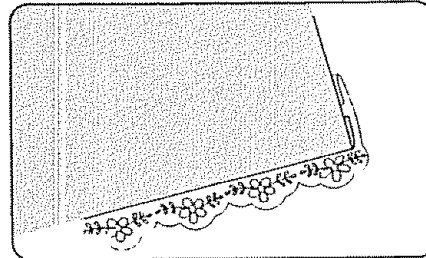
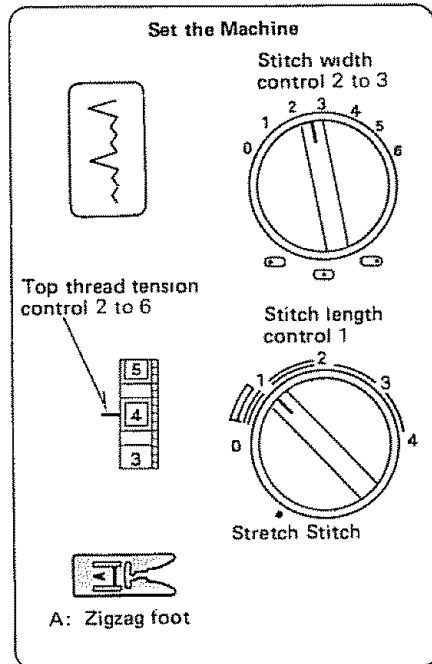
1. Finish the raw edge of your hem any way you desire. (See overcasting page 40).
2. Measure, turn up your hem and pin.

NOTE: For light weight fabrics, you may need a double fold.

3. Fold the material (bottom side out) on the edge to be stitched, as shown, leaving 1/4" of the finished hem edge showing.
4. Place garment under presser foot in such a manner that straight stitches will be sewn on extended edge. The zigzag stitch should just catch the fold of the garment.
5. After hemming, press both sides of the finished hem. The top side of the garment will show only the blind stitches.

SECTION 3. LEARN THE STITCHES

Lace Work



Lace adds a fanciful, feminine touch to blouses and lingerie. Table linens and pillows become more elegant when trimmed with lace.

Turn raw edge of fabric under at least 5/8". Place lace underneath and top-stitch using stretch blind hem stitch.

Trim excess fabric close to stitching.

Buttonhole Making

- Learning to Sew Buttonholes

With your Kenmore sewing machine you have two methods of making buttonholes. You may use the built-in system or you may use the snap-in automatic buttonhole attachment system.

Choose the buttonhole style

1. Built-in buttonholes (rectangular).
Choose this style for waistband, cuffs, belt slots or where you will need only one or two buttons.
2. Round end buttonholes (Template No. 213504005, 213505006).
Choose this style for series of buttonholes on dresses, blouses, vests, jackets or coats.
3. Keyhole buttonholes (Template No. 213506007).
Choose this style for tailored vests, jackets, coats or any time you need more room for button shank.



Tips on buttonholing

Always make a practice buttonhole on a scrap of fabric you plan to use. Try the buttonhole with the button you will use.

Always use an interfacing in area of garment where buttonholes are placed.

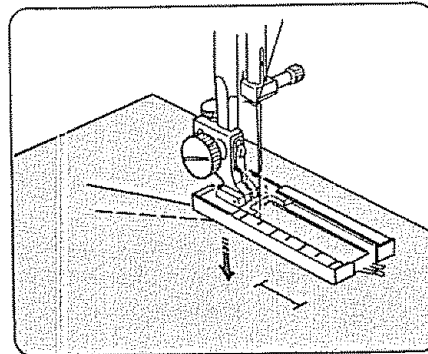
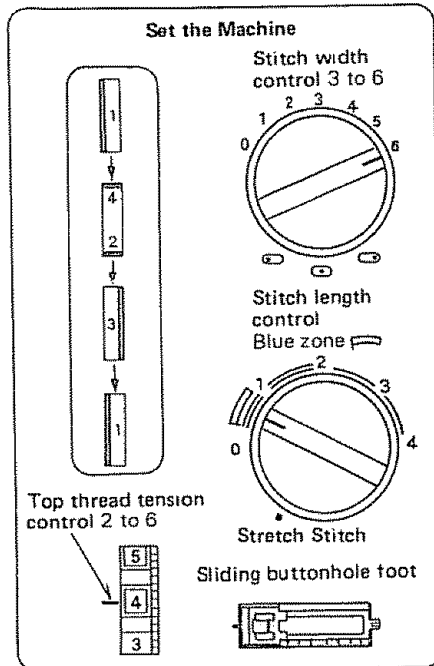
Tissue paper or regular interfacing can be used. Tear paper away after stitching, if it is used.

For heavier weight fabrics, loosen your top thread tension slightly.

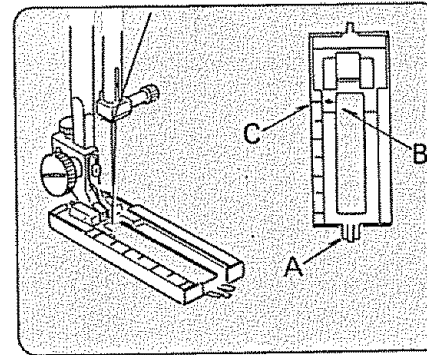
SECTION 3. LEARN THE STITCHES

Buttonhole Making (Continued)

• Built-in System

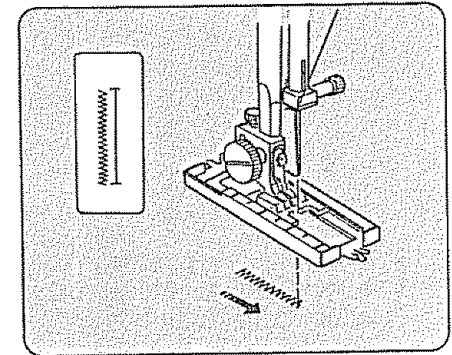



1. a. Carefully mark the buttonhole length on your garment.
- b. Change to the sliding buttonhole foot.
- c. Insert the garment under the foot with the buttonhole marking running toward you.



2. a. Move the slider (A) toward you so that the top mark (C) on the slider meets the start mark (B).
- b. Line up the markings on the foot with the top mark on your garment.
- c. Lower the presser foot.

NOTE. The markings on the slider are engraved in centimeters.



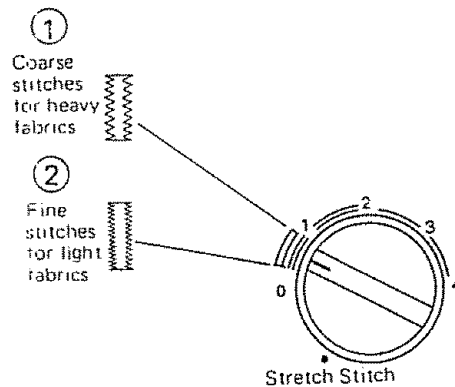
3. a. Set the stitch selector at .
- b. Sew forward until you reach the front marking of your buttonhole.
- c. Stop sewing at the left stitch.

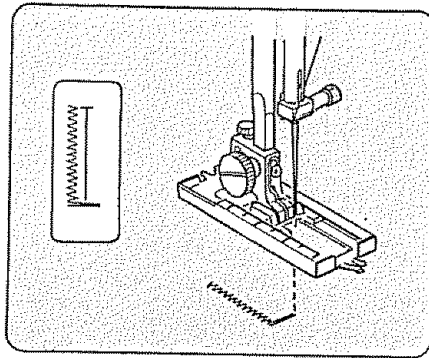
Adjusting the Stitch Density


Depending upon your fabric or your own preference in buttonholes, you may alter the buttonhole stitch density within the blue buttonhole range on the stitch length dial.

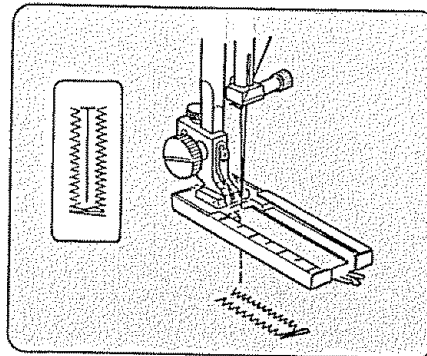
1. For less density, turn the dial toward "1".
2. For more density, turn the dial toward "0".


NOTE: Always make a practice buttonhole on a scrap fabric you plan to use to find the more suitable stitch length.

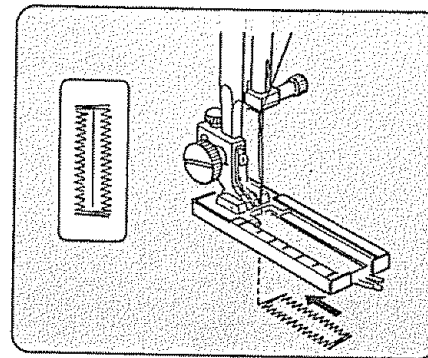





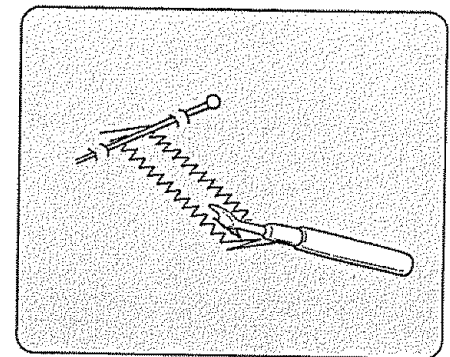
4. a. Set the stitch selector at .
- b. Sew 4 to 6 stitches.
- c. Stop sewing at the right stitch.



5. a. Set the stitch selector at .
- b. Sew until you reach the back of the buttonhole.
- c. Stop sewing at the right stitch.


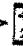

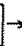


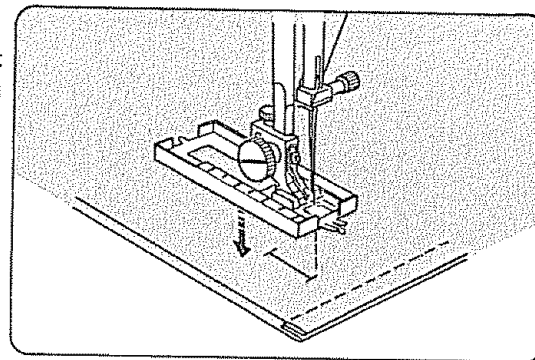
6. a. Set the stitch selector at .
- b. Sew 4 to 6 stitches.
- c. Stop sewing at the left stitch.



7. Remove the fabric and cut the hole open with the buttonhole opener in your accessory storage box.

NOTE:

When sewing at the edge of fabric, set sliding buttonhole foot as illustrated and sew in reverse ( →  →  → ).



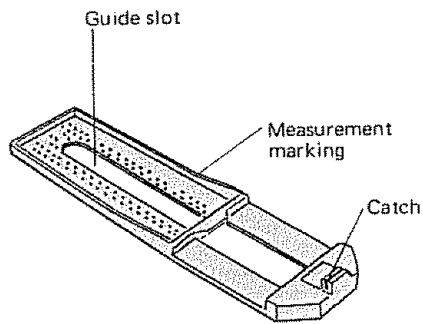
SECTION 3. LEARN THE STITCHES

Buttonhole Making (Continued)

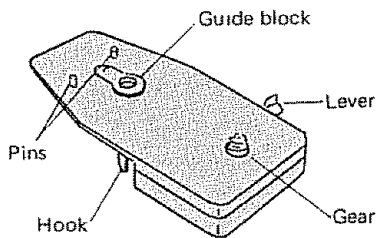
• Using Buttonhole Attachment

Buttonhole Attachment System

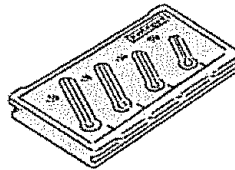
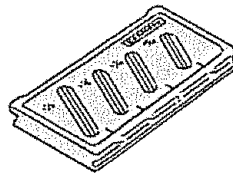
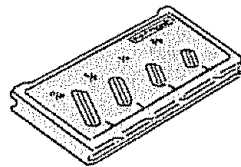
For more varied and accurate buttonholes, you will enjoy using the buttonhole attachment and templates. Know the parts read carefully how to set up your machine properly. You will need these items for the buttonhole attachment system.



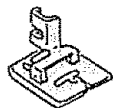
Buttonhole guide plate



Base plate





Buttonhole templates

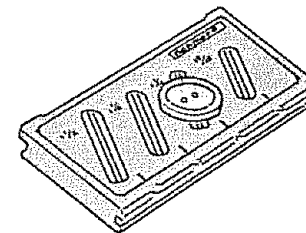


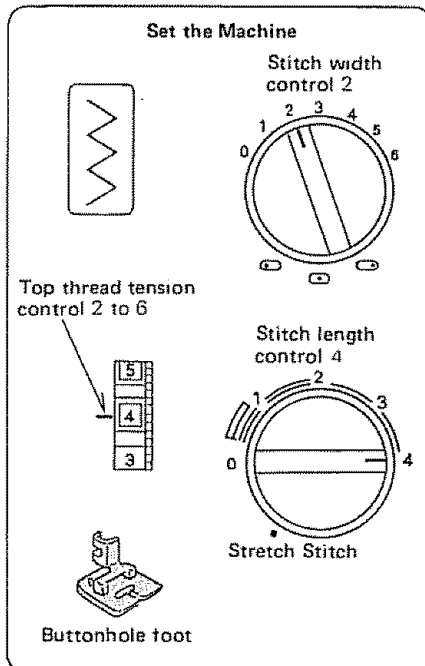
Buttonhole foot

Buttonhole Style and Size

	Round End Buttonhole		Keyhole Buttonhole
			
Template	213504005	213505006	213506007
Sizes	3/8" 1/2"	15/16" 1-1/16"	7/8" 1-1/16"
	5/8" 13/16"	1-1/4" 1-1/2"	1-1/4" 1-3/8"

NOTE: Illustrations of buttonhole on template show actual length of buttonhole to be sewn. You will find the most suitable buttonhole length easily by matching the button with the proper illustration on the template.

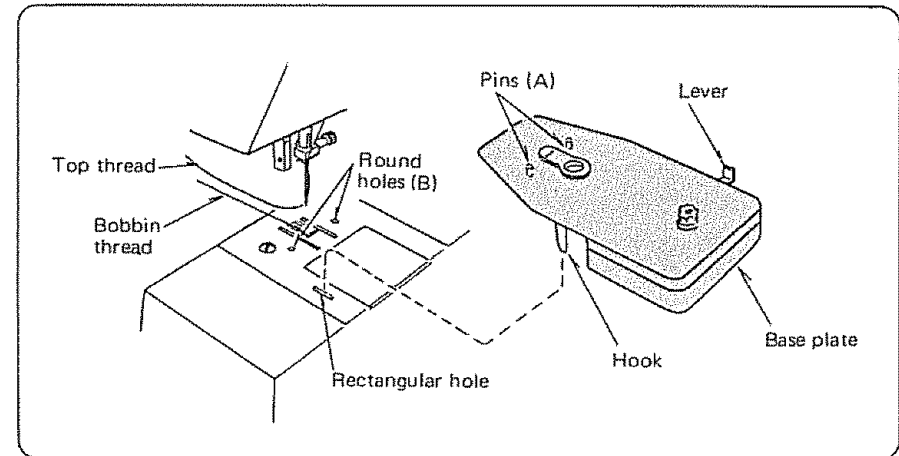




Helpful Hints

You can obtain best results to use #60 ~ #80 light weight threads as bobbin thread.

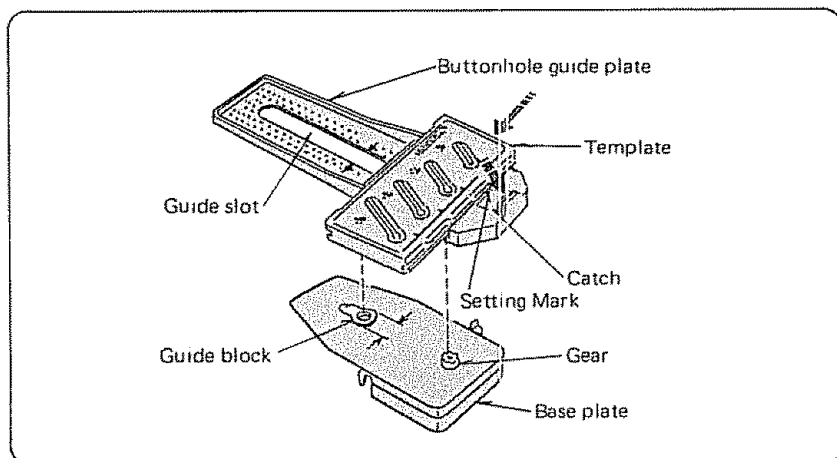
NOTE: It is advisable to use a blue stretch fabric needle when sewing knits and synthetic fabrics.



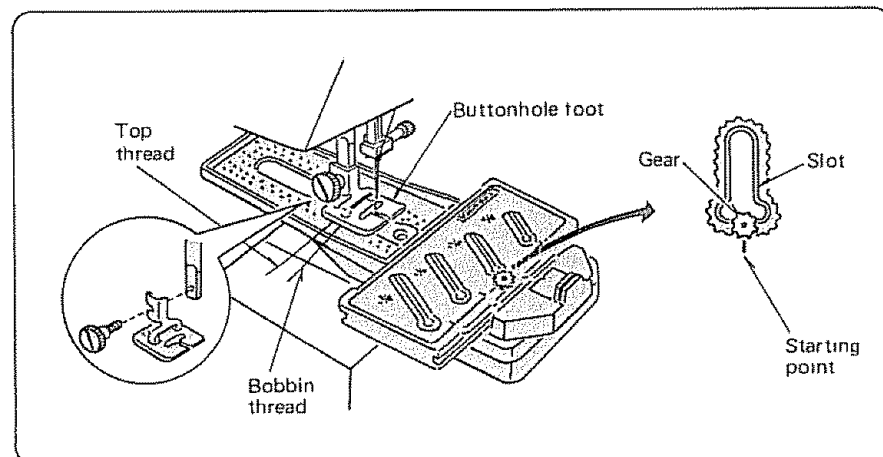
1. a. Remove the extension table.
- b. Raise the needle to its highest position.
- c. Remove the foot holder.
- d. Pull bobbin thread out about 3" straight back toward rear of machine.
- e. Insert hook of base plate into rectangular hole of needle plate.
- f. Pull lever back to align the hook with the rectangular hole.
- g. Snap base plate down to fit two pins (A) at the back of base plate into two round holes (B) on needle plate.
Release lever.

SECTION 3. LEARN THE STITCHES

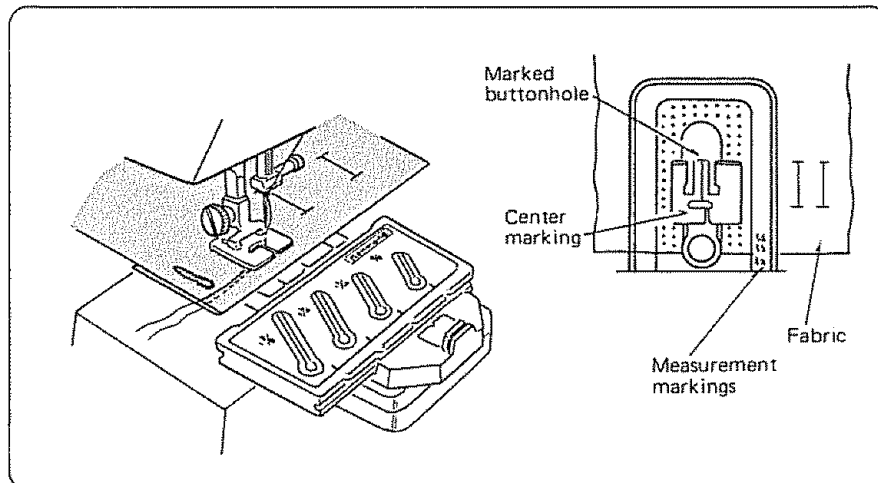
Buttonhole Making (Continued)



2. a. When you have selected the template with the size and style buttonhole you need, slide the template into the guide plate.
- b. Pull catch toward you while sliding the template until the buttonhole size you have chosen is at the setting mark.
- c. Insert gear of base plate into slot of template and fit guide block into the center of the guide slot.



3. a. Attach the buttonhole foot.
- b. Adjust position of gear so it is aligned with the starting point of template.
The lever can be used to change gear position.
- c. Pull the bobbin thread up through guide slot by turning the hand wheel toward you while holding top thread.
- d. Place the bobbin and top threads to the left side of guide plate.
Leave 3 to 4 inches of thread.



4.
 - a. Mark your buttonhole position carefully on the garment.
 - b. Placing your garment behind the machine, insert it between the guide plate and the buttonhole foot as shown.
 - c. Align marked buttonhole with center marking on buttonhole foot.
 - d. Line up your fabric edge with the measurement markings on the guide plate just in front of the buttonhole foot as shown.
 - e. Pierce the fabric with the needle at the beginning of the buttonhole.

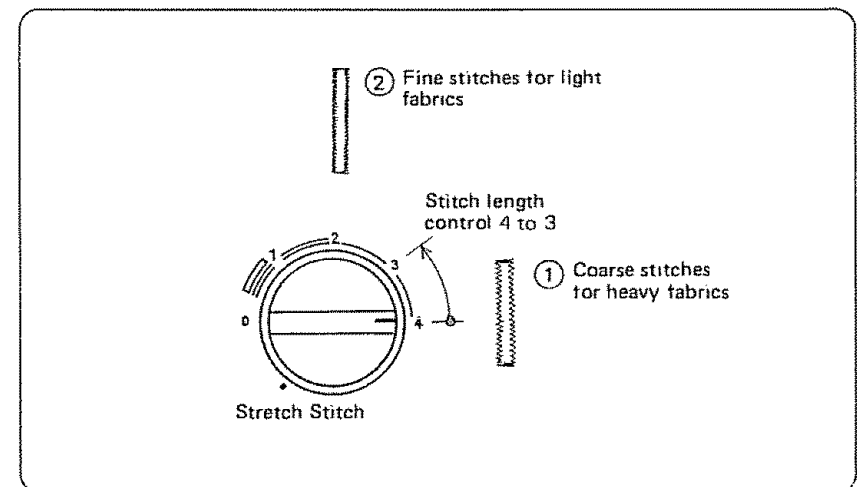
NOTE: If you want your buttonhole to be 1/2 inch from the garment edge, line up the fabric with the 1/2 inch markings each time you start to sew a buttonhole.

5.
 - a. Lower the buttonhole foot.
 - b. Start sewing slowly.
 - c. Allow the machine to do the work by itself. (Do not try to guide the fabric.)
 - d. Stop sewing when the needle returns to the position where it begins.

To release the buttonhole base plate, pull the lever toward you and lift the base plate off the machine.

Adjusting the stitch density

You may alter the closeness of the stitches by turning the stitch length control from 4 to 3.



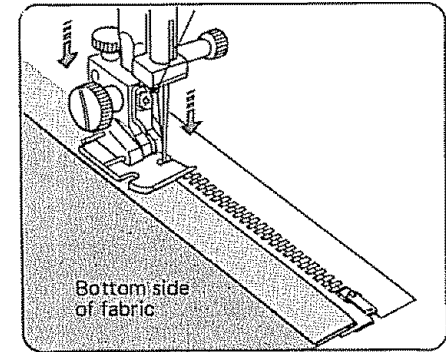
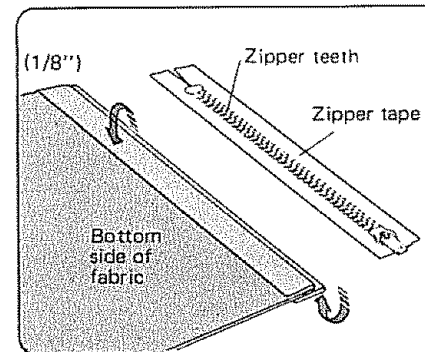
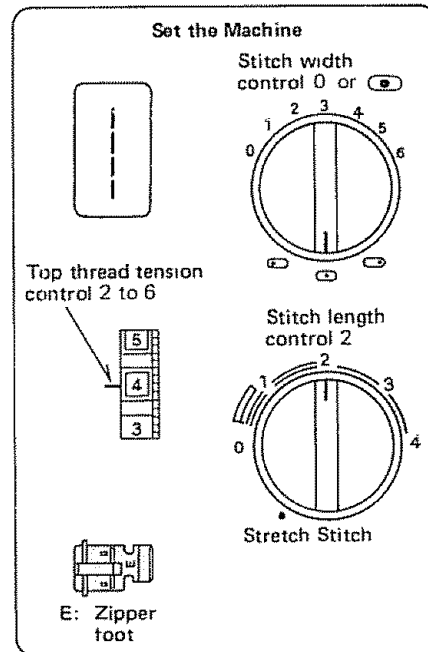
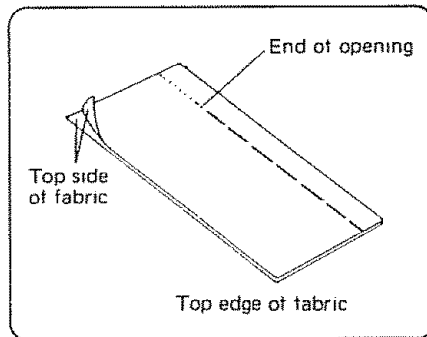
SECTION 3. LEARN THE STITCHES

Sew in a Zipper

Fabric Preparation:

Put the top sides of the fabric together and sew to the end of the zipper opening. Use the reverse to lock the stitches.

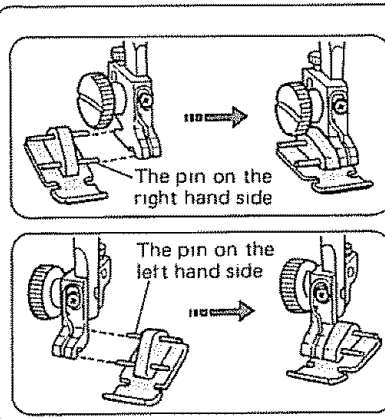
Sew the zipper opening with stitch length at "4" and top thread tension at "3".



To Sew:

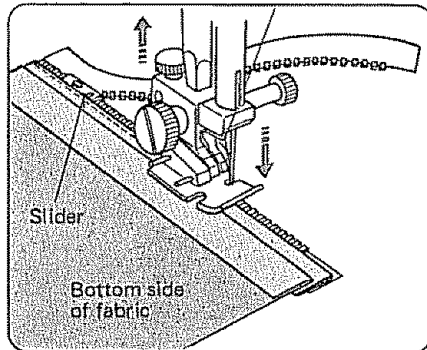
1. Reset stitch length at 2 and top thread tension at 2 to 6. Fold back the left seam allowance as shown.
2. Turn under the right seam allowance to form a 1/8" fold.
3. Place the zipper teeth next to the 1/8" fold and pin in place.

4. Attach the presser bar to the right pins on the zipper foot.
5. Lower the zipper foot on the top side at the bottom of the zipper so that the needle pierces the fold and the zipper tape.
6. Sew through the fold and the zipper tape to the point where the slider begins.
7. Lower the needle to hold the fabric and raise the presser foot.

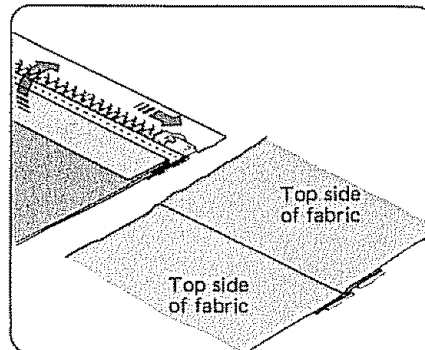


To attach the zipper foot:

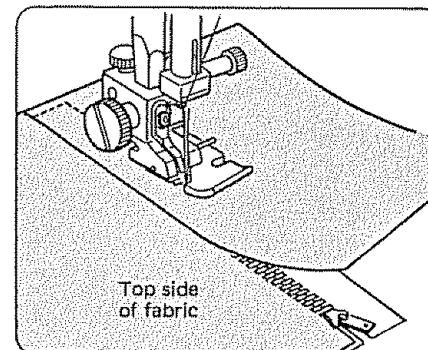
- To sew on the left side of the zipper, attach the presser bar to the right pins on the zipper foot.
- To sew on the right side of the zipper, attach the presser bar to the left pins on the zipper foot.



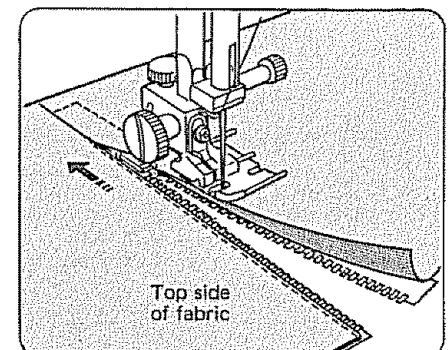
8. Open the zipper.
9. Lower the presser foot and stitch the rest of the seam.



10. Close the zipper and turn the fabric top side up.



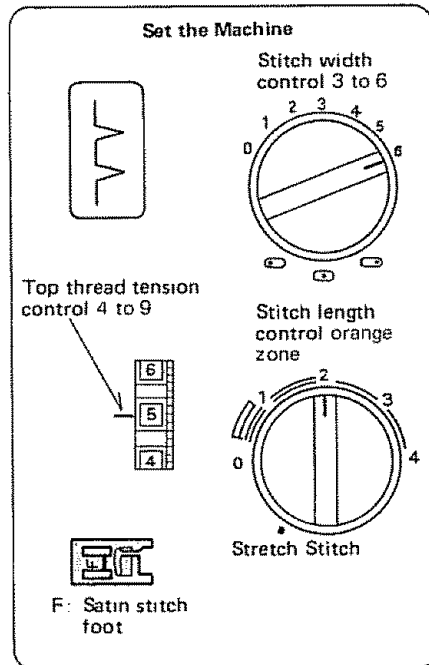
11. Remove the zipper foot and attach the presser bar to the left pins on the zipper foot.
12. Stitch across and below the bottom of the zipper.
13. Turn the corner and continue to guide the foot along the zipper teeth, as shown. Stitch through the fabric and zipper tape.



14. Stop about 2" from the top of the zipper.
15. Lower the needle into the fabric and raise the presser foot.
16. Remove the basting stitches and open the zipper.
17. Lower the foot and stitch the rest of the seam. Make sure the fold is even.

SECTION 3. LEARN THE STITCHES

Shell Stitching

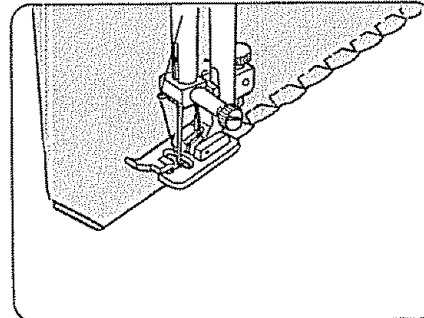


The Stitch and Its Uses

The Shell Stitch is formed by sewing a blind hem over folded fabric. Several rows of shell stitching are called shell tucks.

Shell stitching can be used to finish hems, sleeve and neck openings.

Shell tucking can be used to create scalloped tucks on blouses and lingerie.

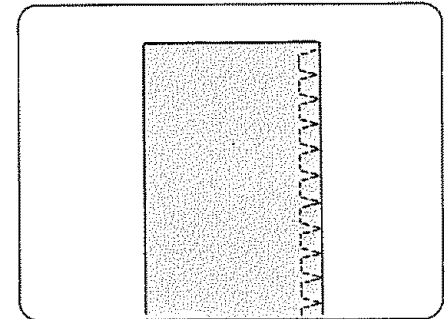
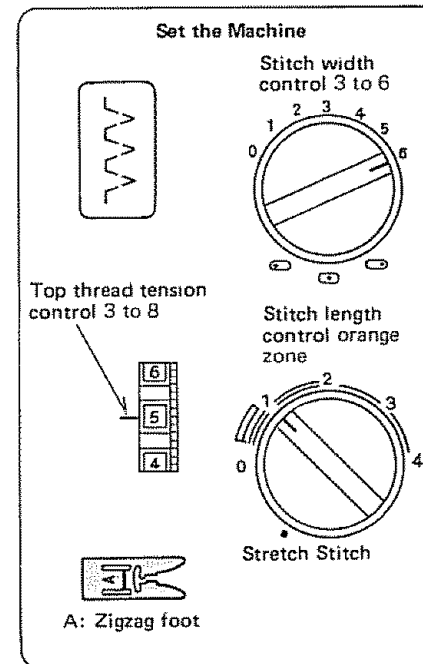


Here's How

- For best effect:
 - set the stitch length as you desire.
 - you may need to tighten the top thread tension slightly.
 - allow the needle to just clear the folded edge of the fabric when it zigzags.
- If you sew rows of shell stitches, space the rows 5/8" apart.

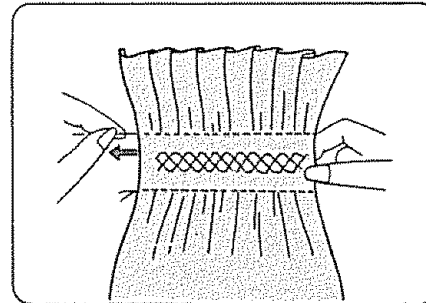
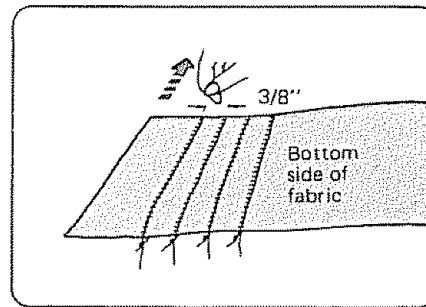
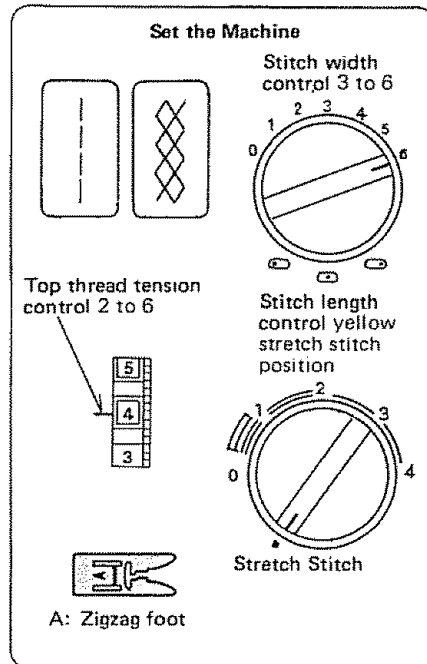
You can sew Shell Stitch on knits or soft silky wovens in any direction.

Two-Point Shell Stitching



This stitch can also be used as a single overlock stitch as well.

Smocking

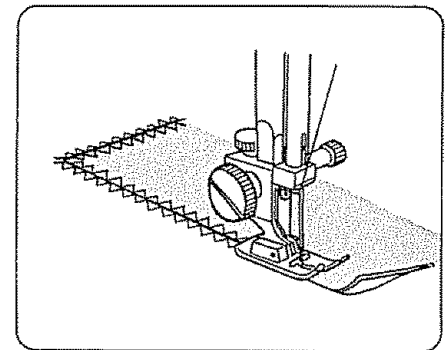
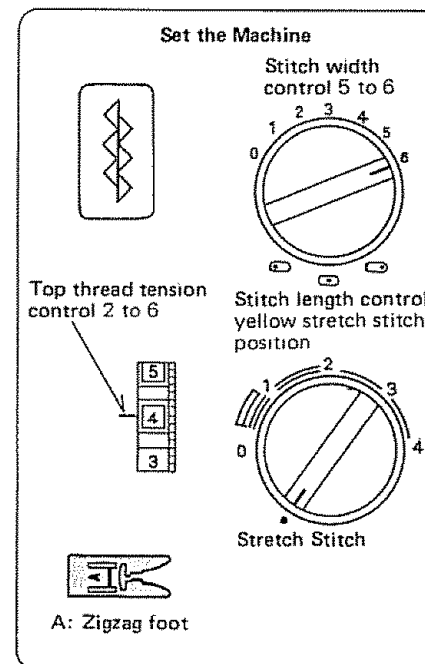


With the stitch length at "4", sew straight stitching lines 3/8" apart across the area to be smocked.

Knot the threads along one edge. Pull the bobbin threads and distribute the gathers evenly. Secure the threads at the other end. Sew the decorative stretch stitch between the gathering stitches. Pull out the gathering stitches.

NOTE: Loosen the top thread tension to make gathering easier.

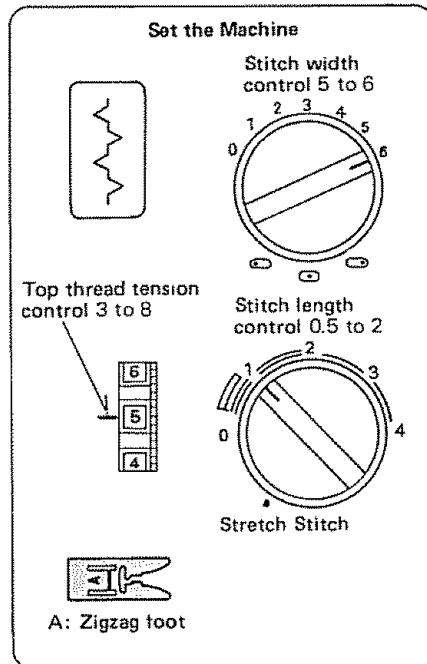
Stretch Patching

The Stitch and Its Uses

For patching worn out elbows or knees.

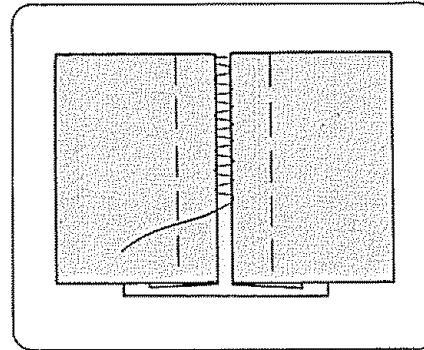
SECTION 3. LEARN THE STITCHES

Fagoting Stitch



The Stitch and Its Uses

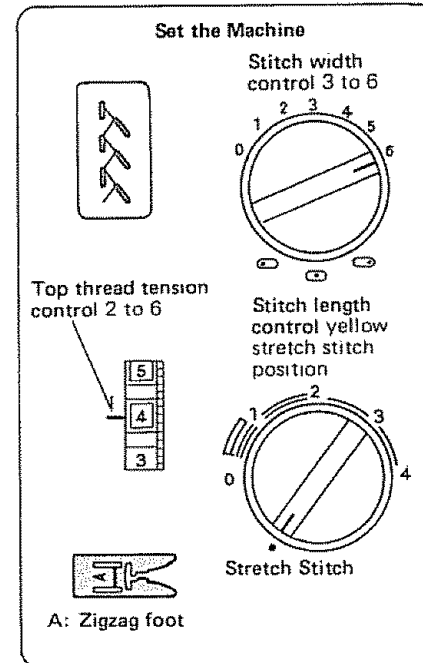
Use this stitch to join two pieces of fabric to create an open work appearance and add design interest.



Here's How

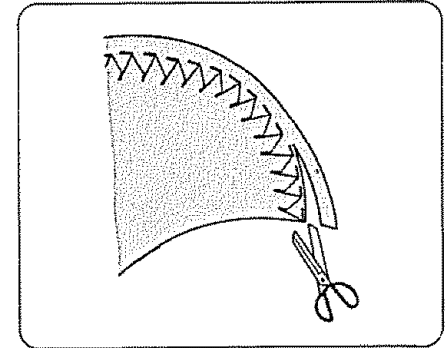
1. Fold under each fabric edge 5/8" and press.
2. Pin the two edges to paper or tear-away backing 1/8" apart.
3. Sew slowly, guiding the fabric so the needle catches the folded edge on each side.

Herring Bone Stretch



The Stitch and Its Uses

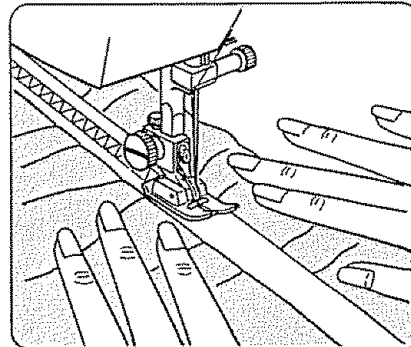
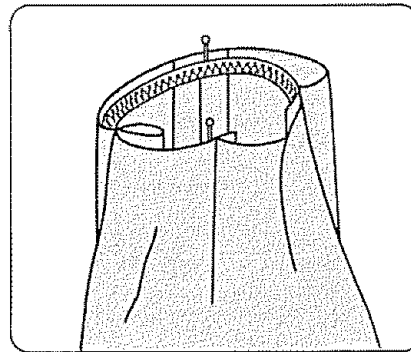
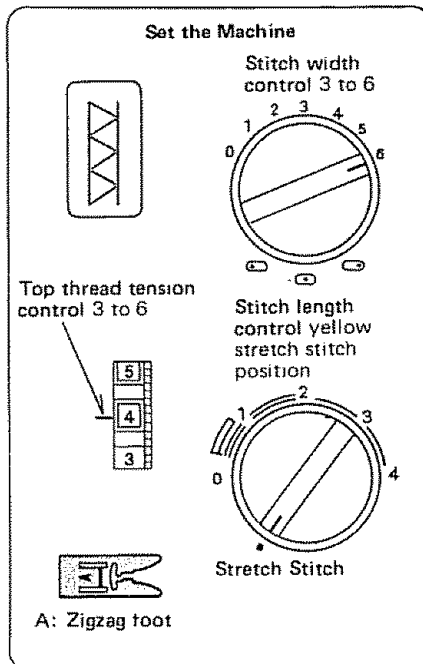
Use as hemming stitch for blankets, tablecloth and draperies.



Here's How

Place the fabric top side up, and sew 3/8" from the edge.
Trim close to stitching. The stitch will prevent raveling.

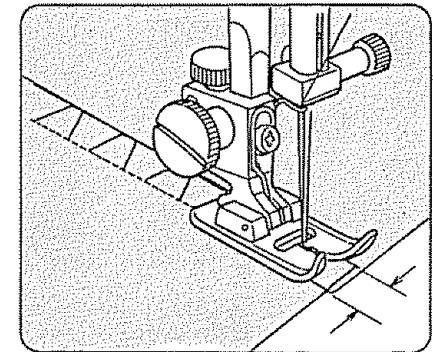
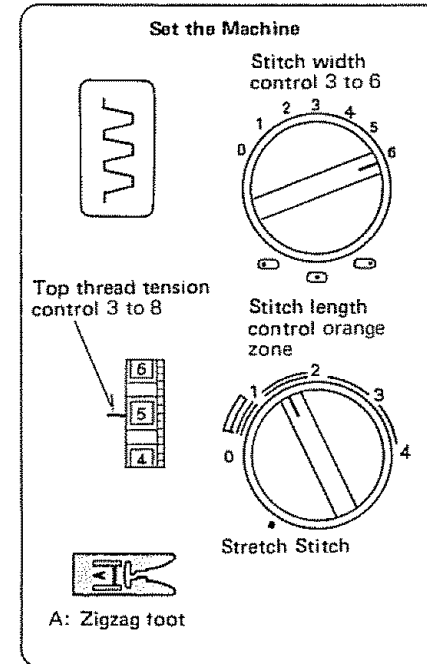
Elastic Stretch Stitch



Choose this stitch to attach elastic to garments.

1. Mark the elastic into quarters and match these to the center front, center back and side seams.
2. Place the middle of the elastic under the center of the presser foot and stitch into place, making sure the elastic is evenly distributed.

Box Stitching




Use this stitch to join heavy weight interlining.

Overlap two raw edges together and use this stitch to join them.

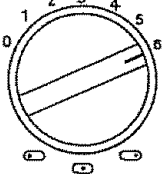
SECTION 3. LEARN THE STITCHES

Two-point Box Stitch

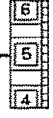
Set the Machine



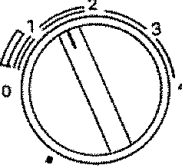
Stitch width control 3 to 6




Top thread tension control 3 to 8



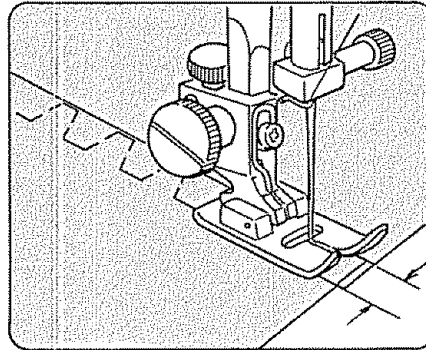
Stitch length control 1 to 2



Stretch Stitch



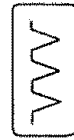
A: Zigzag foot



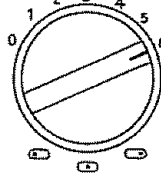
This stitch is useful for elastic fabrics to join them together. (see page 57)

Overedging Stitch


Set the Machine



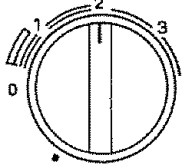
Stitch width control 3 to 6




Top thread tension control 3 to 8



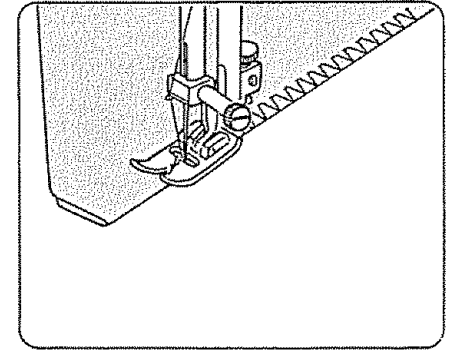
Stitch length control 1 to 3



Stretch Stitch

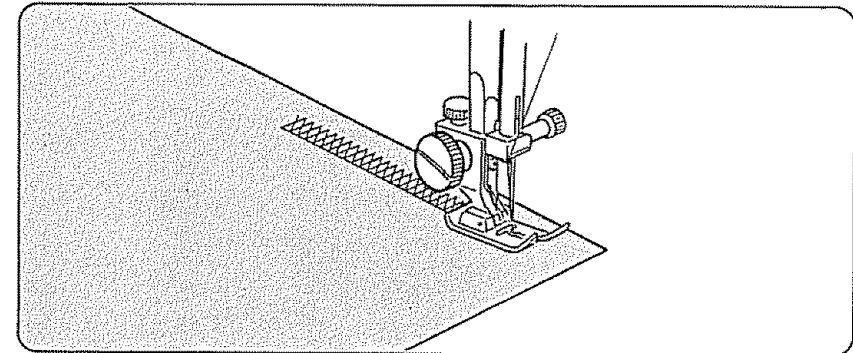
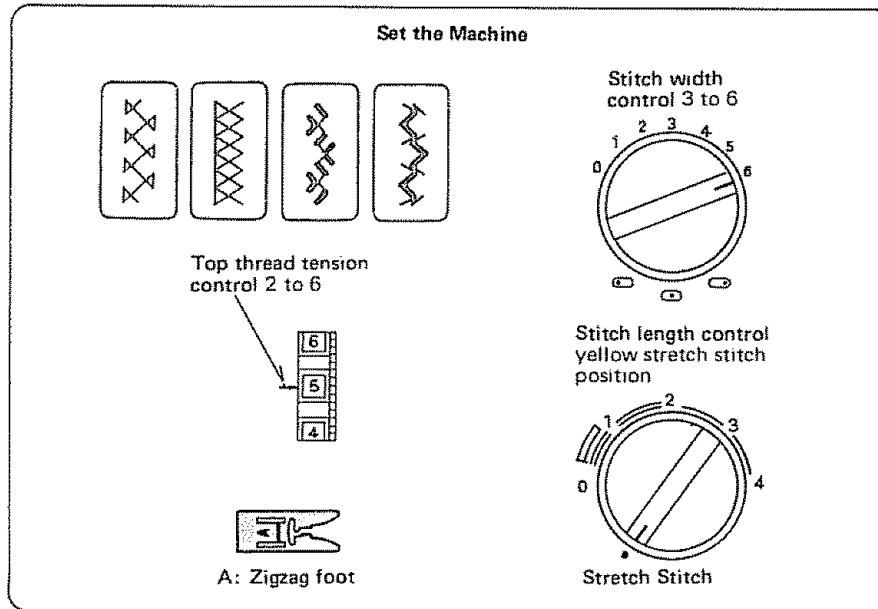


A: Zigzag foot



This stitch can be used for a overedging stitch.

Decorative Stretch Patterns

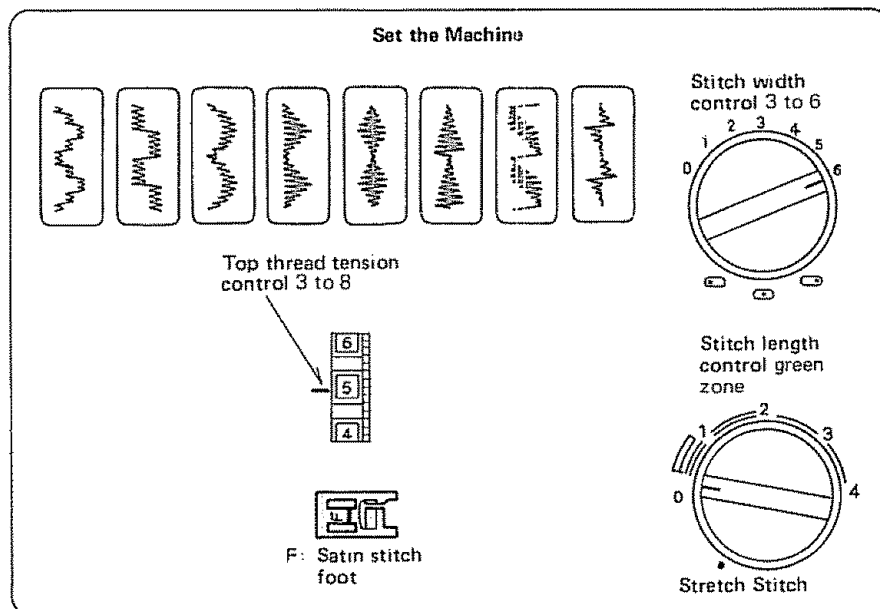
The Stitch and Its Uses

Decorative stretch patterns can be used for adding creative and personalised touch to the items you sew for your home and family.

You can decorate children's clothes, women's blouses, curtains, etc.

SECTION 3. LEARN THE STITCHES

Decorate with Geometric Patterns

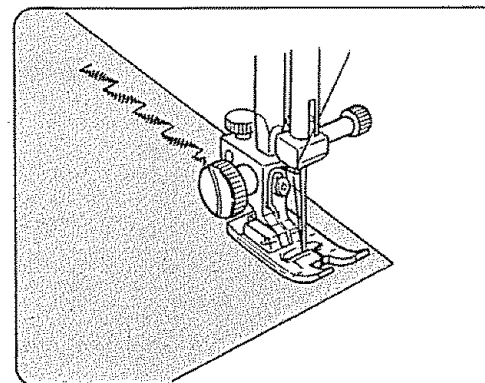


The Stitches and Their Uses

These stitches are purely decorative.

You can sew one row or several or vary the stitch width and length for special effects.

Experiment on a scrap of fabric to see what special effects are possible.



Here's How

1. Adjust the stitch width and length as you desire.
2. Practice the stitch on a scrap of fabric.
3. Mark the lines for decoration on the fabric, using a washable fabric marker.
4. Lower the needle at the starting point.
5. Lower the presser foot.
6. Gently guide the fabric along the marked line.

SECTION 4. PERFORMANCE PROBLEMS CHART

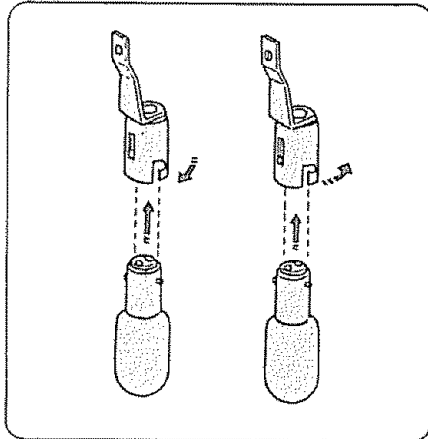
What to Do When

PROBLEM	PROBABLE CAUSE	CORRECTION
Irregular Stitches	<p>Incorrect size needle. Improper threading. Loose upper thread tension. Pulling fabric. Loose presser foot. Unevenly wound bobbin. Nicks or burrs at hole of needle plate.</p>	<p>Choose correct size needle for thread and fabric. Rethread machine. Tighten upper thread tension. Do not pull fabric; guide it gently. Reset presser foot. Rewind bobbin. Replace needle plate, or polish off burrs completely.</p>
Breaking Needle	<p>Pulling fabric. Incorrect size needle. Incorrect setting of needle. Loose presser foot.</p>	<p>Do not pull fabric; guide it gently. Choose correct size needle for thread and fabric. Reset needle. Reset presser foot.</p>
Bunching of Thread	<p>Upper and lower threads not drawn back under presser foot before starting seam.</p>	<p>When starting a seam be sure to draw both threads under and back of presser foot about 4" and hold until a few stitches are formed.</p>
Puckering	<p>Incorrect thread tension. Using two different sizes or kinds of thread. Bent or blunt needle. Loose presser foot. Fabric too sheer or too soft.</p>	<p>Reset thread tension. Upper thread and bobbin thread should be same size and kind. Insert new needle. Reset presser foot. Use underlay of tissue paper.</p>

SECTION 4. PERFORMANCE PROBLEMS CHART

What to Do When (Continued)

PROBLEM	PROBABLE CAUSE	CORRECTION
Skipping Stitches	<p>Incorrect size needle. Bent or blunt needle. Incorrect setting of needle. Tight upper thread tension.</p>	<p>Choose correct size needle for thread and fabric. Insert new needle. Reset needle. Loosen upper thread tension.</p>
Breaking Upper Thread	<p>Starting to stitch too fast. Improper threading. Tight upper thread tension. Incorrect size needle. Sharp eye in needle. Nicks or burrs at hole of needle plate.</p>	<p>Start to stitch at a medium speed. Rethread machine. Loosen upper thread tension. Choose correct size needle for thread and fabric. Insert new needle. Replace needle plate, or polish off burrs completely.</p>
Breaking Bobbin Thread	<p>Improper bobbin threading. Lint in bobbin holder or hook race.</p>	<p>Check bobbin threading. Clean bobbin holder and hook race.</p>
Fabric not Moving	<p>Darning plate in place. Stitch Length set at 0. Thread knotted under fabric. Push-pull clutch is disengaged.</p>	<p>Remove darning plate. Adjust Stitch Length Control. Place both threads back under presser foot before beginning to stitch. Push in the clutch.</p>
Machine Jamming Knocking Noise	<p>Thread caught in hook race. Lint in bobbin holder or hook race.</p>	<p>Disassemble and clean hook race. Clean bobbin holder and hook race.</p>

Replace the Light Bulb

1. Unplug the machine and open the face cover.

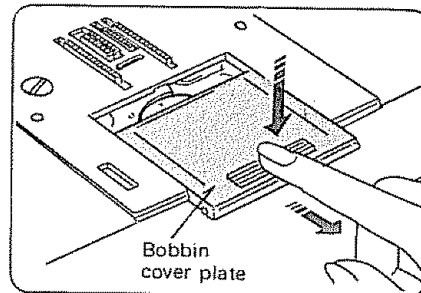
CAUTION! The light bulb will be **HOT**. Protect your fingers when you handle it.

2. Push the bulb up and turn the bulb counter-clockwise to remove it.
3. Put the new bulb in by pushing it up and turning it clockwise.

Clean the Bobbin Holder

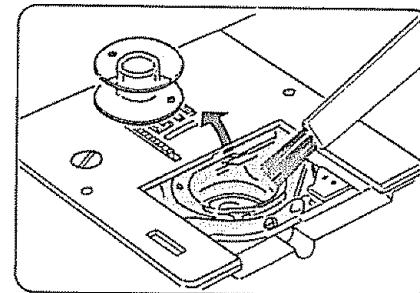
To insure that your machine operates at its best, you need to keep the essential parts clean at all times.

The bobbin area can attract dust and lint. Your machine can become sluggish or knock loudly if a thread is caught.

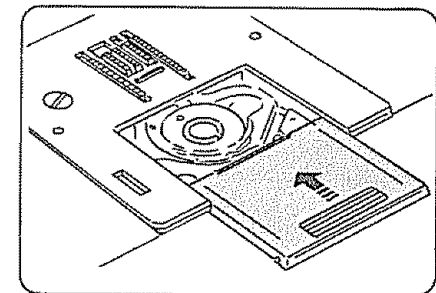


Follow these directions:

1. Turn off the power or unplug the machine.
2. Remove the bobbin cover plate by firmly pulling it toward you.
3. Remove the bobbin.



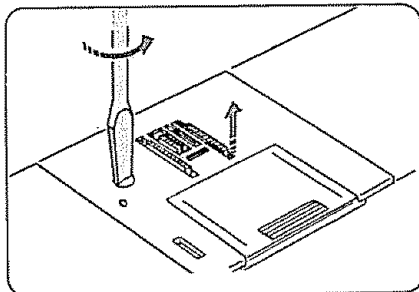
4. Brush or vacuum the dust and lint out of the bobbin holder.
5. Replace the bobbin.



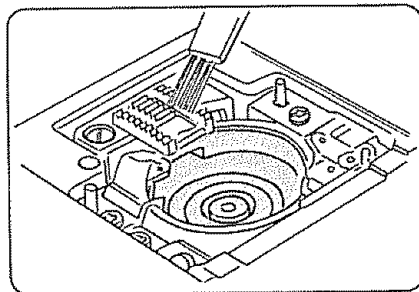
6. Slide on the bobbin cover plate by pushing it into the grooves.

SECTION 5. CARE FOR YOUR MACHINE

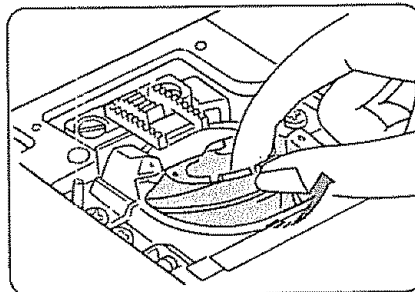
Clean the Hook Race and Feed Dogs



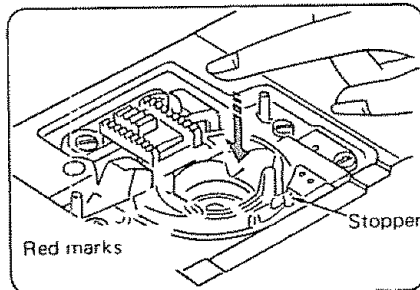
1. Unplug the machine and remove the presser foot and needle.
2. Remove the bobbin face cover plate.
3. Remove the screw on the left side of the needle with the large screw driver.
4. Remove the needle plate.



6. Use the lint brush to clean the feed dogs, hook race and bobbin holder. Also use a soft, dry cloth.



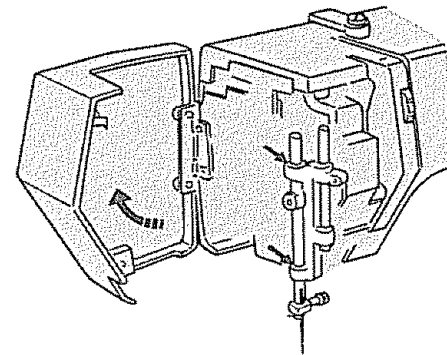
5. Take out the bobbin. Lift up the bobbin holder and remove it.



7. Line up the red marks and place the bobbin holder so the knob fits next to the stopper in the hook race, as shown above.

Oiling the Machine

Open face cover plate and oil points as shown below at least once a year. On or two drops of oil is sufficient. Remove excess oil, otherwise it may stain fabrics.

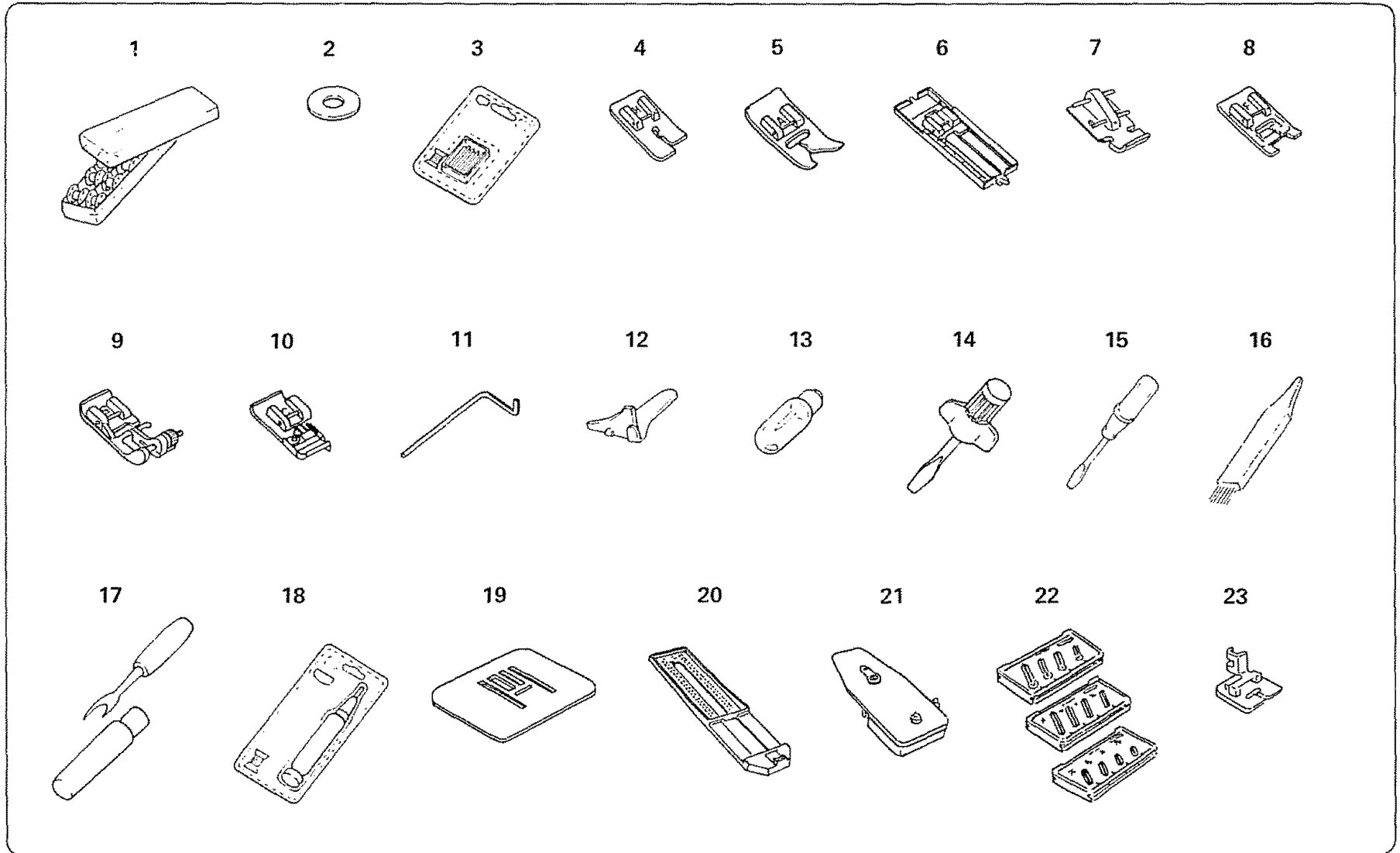


In case machine is not used for an extended time, oil it before sewing. Use good quality sewing machine oil.

No other oiling is required

Above points are only area which require oiling on this machine.

PARTS LIST



All parts listed herein may be ordered from any Sears store or service center.

WHEN ORDERING REPAIR PARTS, ALWAYS GIVE THE FOLLOWING INFORMATION:

1. PART NUMBER
2. PART DESCRIPTION
3. MODEL NUMBER
4. NAME OF ITEM

If the parts you need are not stocked locally, your order will be electronically transmitted to a Sears Repair Parts Distribution Center for expedited handling.

Ref. No.	Part No.	Description
1	*20-6868	Bobbin box with 10 bobbins
2	102403202	Spool pin felt
3	813404013	No. 11 Stretch fabric needles (BLU)
	6551	No. 11 Single needles (ORG)
	6552	No. 14 Single needles (RED)
	6553	No. 16 Single needles (PUR)
	6554	No. 18 Single needles (GRN)
4	652806003	Straight foot
5	685502008	Zigzag foot
6	825813005	Sliding buttonhole foot
7	823803006	Zipper foot
8	822804118	Satin stitch foot
9	820817015	Blind hem stitch foot
10	822801001	Overedge foot
11	802422002	Quilter
12	*6864	Needle threader
13	6797	Light bulb
14	820832005	Large screw driver
15	41669	Small screw driver
16	802424004	Lint brush
17	6830	Buttonhole opener
18	*6889	Oil and lint brush
19	652804001	Darning plate
20	213502003	Buttonhole guide plate
21	213501002	Base plate
22	213504005	Template (Round end small)
	213505006	Template (Round end large)
	213506007	Template (Keyhole)
23	213503004	Buttonhole foot

* These items are not furnished with the machine, but may be ordered per instructions above.

INDEX

- A**
- Accessory storage box 2, 8
 - Appliqueing 26, 37
- B**
- Bar tacking 26, 37
 - Base 2
 - Base plate 4, 48, 65~66
 - Basic zigzag 26, 35
 - Blind hemming 26, 43~44
 - Blind hem stitch foot 4, 13, 26, 43, 65~66
 - Bobbin 4, 16~17, 63, 65~66
 - Bobbin holder 17, 63~64
 - Bobbin thread 19~20
 - Bobbin winding 16
 - Bobbin winding spindle 2, 16
 - Box stitching 28, 57
 - Buttonhole 30, 45
 - Buttonhole attachment 30, 45, 48
 - Buttonhole foot 4, 14, 30, 48, 65~66
 - Buttonhole guide plate 4, 30, 48, 65~66
 - Buttonhole making 45~51
 - Buttonhole opener 4, 47, 65~66
 - Buttonhole template 4, 30, 48, 65~66
 - Button sewing 26, 39
- C**
- Cabinet 2
 - Changing needle 15
 - Changing presser foot 10~11
 - Cleaning hook race and feed dogs 64
 - Cornering guide 31
- D**
- Darning 26, 32, 34
 - Darning plate 4, 32, 34, 38~39, 65~66
 - Decorative geometric patterns 29, 60
 - Decorative stretch patterns 29, 59
- E**
- Elastic stretch 28, 57
 - Embroidery 26, 38
 - Extension table 2, 8
- F**
- Fabric, needle, thread and stitch length chart 15
 - Face cover plate 2, 6, 63~64
 - Fagoting 28, 56
 - Feed dogs 64
 - Foot control 3, 5
 - Free arm sewing 6~9
- H**
- Hand wheel 3, 19
 - Herring bone stretch 29, 56
 - Hook race 64
- L**
- Lace work 44
 - Large screw driver 4, 65~66
 - Light and power switch 3, 5
 - Light bulb 63, 65~66
 - Lint brush 4, 63~66
- M**
- Monogramming 26, 38
- N**
- Needle 14~15, 65~66
 - Needle clamp 3, 15
 - Needle plate 2, 17
 - Needle, thread and fabric chart 15
 - Needle threading 18~19
- O**
- Oiling 64
 - Overcasting stitch 40
 - Overcasting stretch 27, 42
 - Overedge stitch 29, 58
 - Overedge foot 4, 13, 27, 40, 42, 65~66
- P**
- Parts list 65~66
 - Performance problems 61~62
 - Plug connector 3, 5
- Q**
- Quilter 4, 13, 26, 33, 65~66
- R**
- Reverse stitch control 2, 25, 31
 - Rick-rack stretch stitching 26, 40
- S**
- Satin stitch foot 4, 12, 27, 29, 30, 36~38, 54, 60, 65~66
 - Satin stitching 30, 36
 - Seam guides 31
 - Serging 27, 42
 - Serging or pine leaf stretch 27, 42
 - Sewing light 5
 - Shell stitching 27, 54
 - Sliding buttonhole foot 4, 12, 30, 46~47, 65~66
 - Small screw driver 4, 65~66
 - Smocking 27, 55
 - Snap-on button 3, 10
 - Speed range switch 2, 6
 - Spool pin felt 4, 7, 65~66
 - Spool pins 2, 7
 - Stitch length control 2, 22
 - Stitch selector 3, 21
 - Stitch width control 2, 23~24
 - Straight stitching 26, 31~33
 - Straight stitch foot 4, 11, 26, 31~34, 65~66
 - Straight stretch stitching 26, 34
 - Stretch patching 28, 55
 - Stretch stitch adjuster 3, 22
- T**
- Take-up lever 2, 18
- Portable case 2**
- Power switch 3, 5**
- Practical stitch chart 26~30**
- Pressure control dial 6**
- Presser foot 3, 10~14**
- Presser foot lever 3, 7**
- Push-pull clutch 3, 16**

Thread cutter 2, 7
 Thread guide 2~3, 18
 Three-step zigzag 27, 41
 Topstitching 26, 32
 Top thread 18~21
 Top thread tension 20~21
 Top thread tension control 2, 20~21
 Turning a square corner 31
 Two-point box stitching 29, 58
 Two-point shell stitching 28, 54

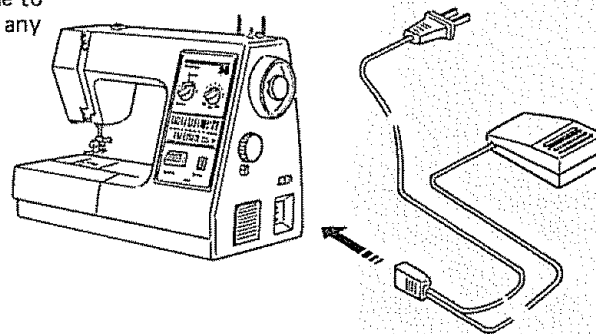
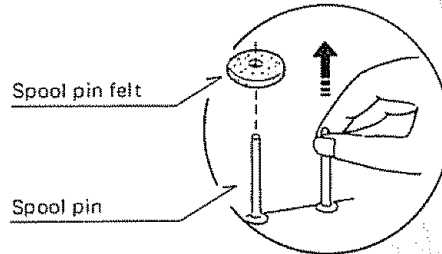
Z

Zigzag foot 11, 26~29, 33, 35, 37,
 39~42, 44, 54~59, 65~66
 Zigzag stitching 26, 35~40
 Zigzag overcasting 40
 Zipper application 26, 52~53
 Zipper foot 4, 12, 26, 52~53, 65~66

Kenmore Sewing Machine 18841

SETTING UP YOUR MACHINE

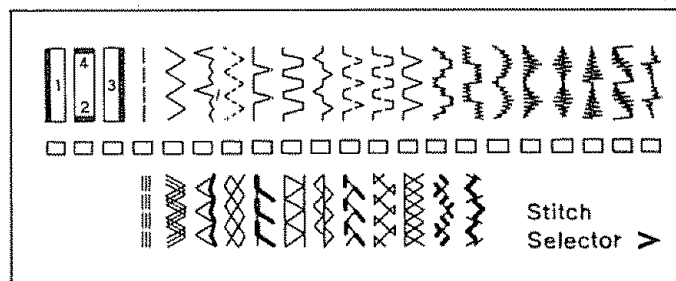
1. You'll find spool pins on the top cover.
Pull up the spool pins and place the spool pin felt on the pins.
2. Plug foot control into machine receptacle. Then connect cord into any 110 ~ 120 volt A.C. wall outlet.
3. Your Kenmore sewing machine has been thoroughly oiled at the factory. Be sure to wipe off the needle plate area, bed plate and shuttle carefully before sewing a garment. It is wise to practice on a scrap of fabric so any surplus oil is absorbed.



STITCH SELECTOR

There are certain types of stitches that are used more often than others in your garment construction. Because of their frequent use, you will soon realise the convenience offered to you by this control.

The desired stitch will be obtained by turning the Stitch Selector Dial until the stitch is indicated by the red line on the indicator panel.



CARE FREE STITCHING

Kenmore

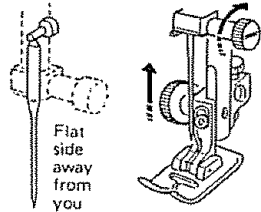
depends on the **BIG 3** NEEDLES SHUTTLE THREADING

and the **LITTLE 3** FEEDING OILING TENSION

STEP 1

NEEDLE

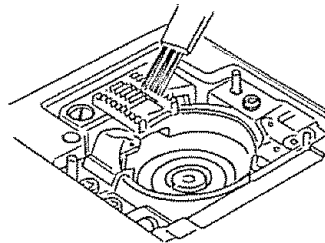
Make certain your needle is correctly inserted with flat side away from you. Be sure needle is not blunt or bent.



STEP 2

SHUTTLE

Clean in and around the shuttle and feed dogs to remove accumulated dust and lint which may cause NOISE OR JAMMING.



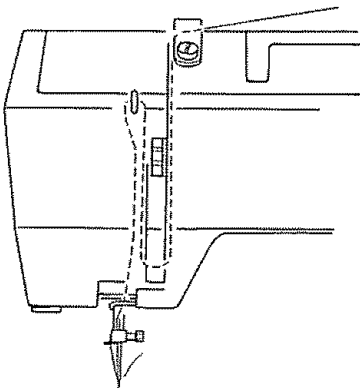
STEP 3

THREADING

THREAD CAN TANGLE AND SNAP without being seen. If your thread breaks, unthread and then RETHREAD the machine, both top and bottom threads.

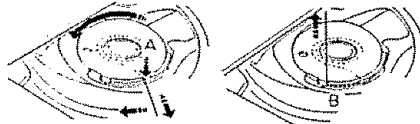
TOP THREADING

Make sure there is no slack or snags in the thread. Use the type of thread and size needle recommended in your instruction book.



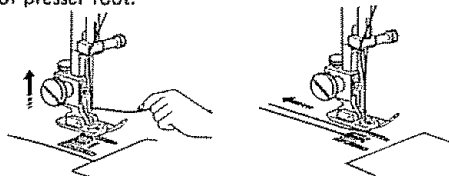
BOTTOM THREADING

1. Insert bobbin into shuttle making sure bobbin rotates counter clockwise.
2. Pull thread through slot (A) and then to the left. Pull thread through notch (B) and leave thread about 4 inches long.



COMPLETING THREADING

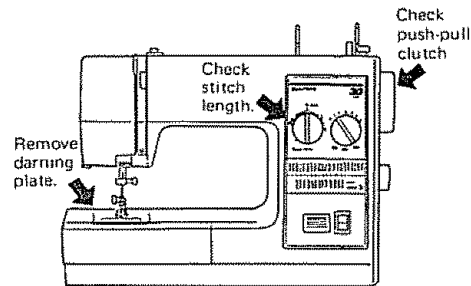
Hold top thread loosely in left hand and rotate handwheel toward you one complete turn. Next, pull top and bottom threads under and to the back of presser foot.



STEP 1

FEEDING

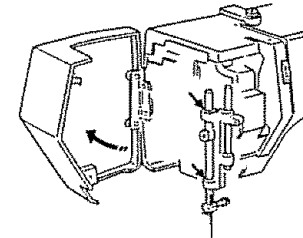
(MATERIAL DOESN'T FEED PROPERLY)



STEP 2

OILING

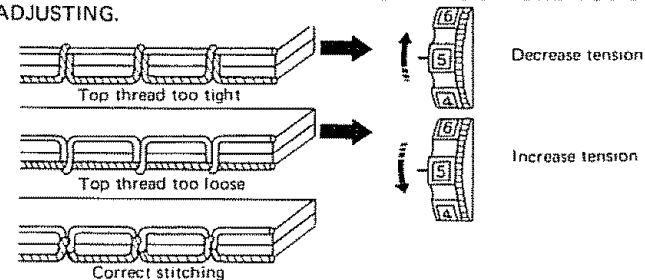
Open face cover plate and oil points as shown below at least once a year. One or two drops of oil is sufficient. Remove excess oil, otherwise it may stain fabrics. In case machine is not used for an extended time, oil it before sewing. Use good quality sewing machine oil.



STEP 3

TENSION

Compare your straight stitching with the illustrations. If it looks like either of the top two, correct the thread tension dial as shown. BE SURE TO NOTE YOUR PRESENT SETTING BEFORE YOU START ADJUSTING.



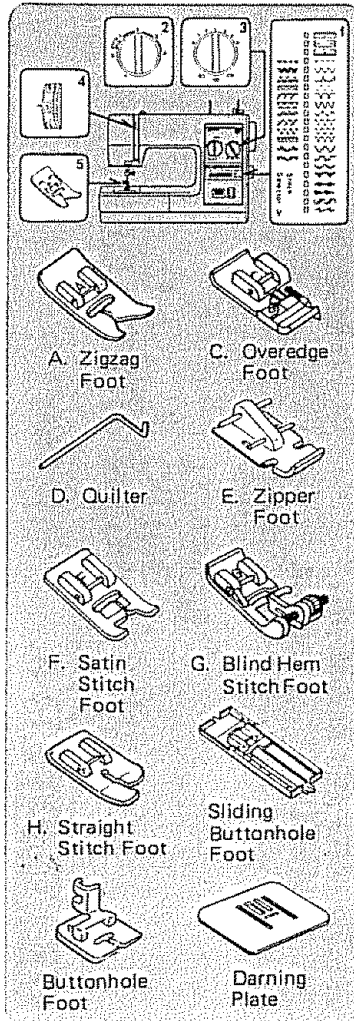
IMPORTANT

For your safety an important new feature has been incorporated in this machine. The light/power switch provides electric current for the motor as well as the light. In order to operate the machine this switch must be on.

If you are interrupted while sewing and must leave the machine unattended, just turn off the light/power switch and the machine can not be started accidentally by pressing on the foot control. This feature also applies when the machine is in storage.

The foot control is used to vary the machine speed from zero to high.

PRACTICAL STITCH CHART



STITCH	1. SELECTOR	2. LENGTH DIAL	3. WIDTH DIAL	4. TENSION CONTROL	5. PRESSER FOOT
STRAIGHT	---	ORANGE ZONE	0 OR	2 TO 6	H
ZIGZAG		ORANGE ZONE	1 TO 6	3 TO 8	A
BLIND		ORANGE ZONE	2 TO 3	2 TO 6	G
MENDING		0.5 TO 1	5 TO 6	2 TO 6	A
SHELL		ORANGE ZONE	3 TO 6	4 TO 9	F
BOX		ORANGE ZONE	3 TO 6	3 TO 8	A
FAGOTING		0.5 TO 2	5 TO 6	3 TO 8	A
TWO-POINT SHELL		ORANGE ZONE	3 TO 6	3 TO 8	A
TWO-POINT BOX		ORANGE ZONE	3 TO 6	3 TO 8	A
OVEREDGE		ORANGE ZONE	3 TO 6	3 TO 8	A
STRAIGHT STRETCH		YELLOW POSITION	0 OR	2 TO 6	H
RICK-RACK		YELLOW POSITION	2 TO 6	2 TO 6	A
OVERCAST		YELLOW POSITION	3 TO 6	2 TO 6	A
SMOCKING		YELLOW POSITION	3 TO 6	2 TO 6	A
SERGING		YELLOW POSITION	3 TO 6	3 TO 6	C
ELASTIC		YELLOW POSITION	3 TO 6	3 TO 6	A
PATCHING		YELLOW POSITION	5 TO 6	2 TO 6	A
HERRING BONE		YELLOW POSITION	3 TO 6	2 TO 6	A
STRETCH DECORATIVE		YELLOW POSITION	3 TO 6	2 TO 6	A
BUTTONHOLE			BLUE ZONE	3 TO 6	2 TO 6
BUTTONHOLE			4	2	2 TO 6
DECORATIVE GEOMETRICS		GREEN ZONE	3 TO 6	3 TO 8	F
SATIN		0.5 TO 1	2 TO 6	3 TO 8	F

WARRANTY

FULL 25-YEAR WARRANTY ON SEWING MACHINE HEAD

For 25 years from the date of purchase, Sears will, free of charge, repair defects in material or workmanship which appear in the sewing machine head.

FULL TWO YEAR WARRANTY ON ELECTRICAL EQUIPMENT OF SEWING MACHINE

For two years from the date of purchase, Sears will, free of charge, repair defects in material or workmanship which appear in the electrical and electronic equipment of the sewing machine, including motor, wiring, switch and speed control and printed circuit boards.

FULL 90-DAY WARRANTY ON ALL PARTS AND MECHANICAL ADJUSTMENTS

For 90 days from the date of purchase, Sears will, free of charge, replace any parts and provide mechanical service necessary for proper operation of the sewing machine, except for normal maintenance.

To obtain warranty service described above, SIMPLY CONTACT THE NEAREST SEARS STORE OR SERVICE CENTER IN CANADA. This warranty applies only while this product is in use in CANADA.

This warranty gives you specific legal rights, and you may also have other rights which vary from state to state.

SEARS CANADA INC., TORONTO, ONT, M5B 2B8

SEWING MACHINE

Now that you have purchased your Kenmore Sewing Machine, should a need ever exist for repair parts or service, simply contact your nearest Sears Service Center. Be sure to mention pertinent facts when you call or visit.

The model number of your Sewing Machine will be shown on your nomenclature plate on the back of your Sewing Machine. See page 3 for location.

WHEN ORDERING REPAIR PARTS, ALWAYS GIVE THE FOLLOWING INFORMATION:

*MODEL NUMBER *NAME OF ITEM *PART DESCRIPTION

If the parts you need are not stocked locally, your order will be electronically transmitted to a Sears Repair Parts Distribution Center for handling.

SEARS CANADA INC., TORONTO, ONT M5B 2B8

Free Manuals Download Website

<http://myh66.com>

<http://usermanuals.us>

<http://www.somanuals.com>

<http://www.4manuals.cc>

<http://www.manual-lib.com>

<http://www.404manual.com>

<http://www.luxmanual.com>

<http://aubethermostatmanual.com>

Golf course search by state

<http://golfingnear.com>

Email search by domain

<http://emailbydomain.com>

Auto manuals search

<http://auto.somanuals.com>

TV manuals search

<http://tv.somanuals.com>