

OWNER'S MANUAL

SEARS

Kenmore

SEWING MACHINE

MODEL 385.19150

IMPORTANT SAFETY INSTRUCTIONS

Your sewing machine is designed and constructed only for HOUSEHOLD use. Read all instruction before using this sewing machine.

DANGER— To reduce the risk of electric shock:

1. An appliance should never be left unattended when plugged in. Always unplug this appliance from the electric outlet immediately after using and before cleaning.
2. Always unplug before relamping. Replace bulb with same type rated 13.2 V d.c., 3 Watts.
3. Do not reach for the appliance that has fallen into water. Unplug immediately.
4. Do not place or store appliance where it can fall or be pulled into a tub or sink. Do not place in or drop into water or other liquid.

WARNING— To reduce the risk of burns, fire, electric shock,

or injury to persons.

1. Do not allow to be used as a toy. Close attention is necessary when this appliance is used by or near children.
2. Use this appliance only for its intended use as described in this manual. Use only attachments recommended by the manufacturer as contained in this manual.
3. Never operate this appliance if it has a damaged cord or plug, if it is not working properly, if it has been dropped or damaged, or dropped into water. Return the appliance to the nearest authorized dealer or service center for examination, repair, electrical or mechanical adjustment.

4. Never operate the appliance with any air opening blocked. Keep ventilation openings of the sewing machine and foot controller free from accumulation of lint, dust, and loose cloth.
5. Never drop or insert any object into any opening.
6. Do not use outdoors.
7. Do not operate where aerosol (spray) products are being used or where oxygen is being administered.
8. To disconnect, turn all controls to the off ("O") position, then remove plug from outlet.
9. Do not unplug by pulling on cord. To unplug, grasp the plug, not the cord.
10. Keep fingers away from all moving parts. Special care is required around the sewing machine needle.
11. Always use the proper needle plate. The wrong plate can cause the needle to break.
12. Do not use bent needles.
13. Do not pull or push fabric while stitching. It may deflect the needle causing it to break.
14. Switch the sewing machine off ("O") when making any adjustment in the needle area, such as threading needle, changing needle, threading bobbin, or changing presser foot, and the like.
15. Always unplug the sewing machine from the electrical outlet when removing covers, lubricating, or when making any other adjustments mentioned in the instruction manual.

SAVE THESE INSTRUCTIONS

IMPORTANT

Be sure to keep machine away heat sources, humidity, and direct sunlight.

SEARS, ROEBUCK AND CO.

Dear Customer:

You have just invested in a very fine zigzag sewing machine. Before using your new Kenmore machine, please pause for a moment and carefully read this booklet which contains instructions on how to operate and care for your machine.

Specific instructions are given on threading, tension adjustments, cleaning, oiling, etc. This will help you obtain the best sewing results and avoid unnecessary service expense for conditions beyond our control.

Advice on the operation and care of your machine is always available at your nearest Sears Retail Store. Please remember, if you have questions about your machine or need parts and service, always mention the model number and serial number when you inquire.

Kenmore Sewing Machine

Record in space provided below the model number and serial number of this appliance. The model number and serial number are located on the nomenclature plate, as identified on Page 6 of this booklet.

Model No. 385. _____ Serial No. _____
Retain these numbers for future reference.

THIS MODEL IS A CENTER NEEDLE, LOW BAR SEWING MACHINE.

SECTION 1. KNOW YOUR MACHINE

A Portable Case or Cabinet is Available	4
Locate and Identify the Parts	5~6
Identify the Accessories	6

SECTION 2. PREPARE YOUR MACHINE FOR SEWING

Set Up the Machine	7~11
• Plug in the Machine and Switch on the Power	7
• Set the Foot Control	8
• Check the Feed Balance Dial	8
• Set the Pressure Adjusting Lever	8
• Adjust the Presser Foot Lever	9
• Thread Cutter	9
• Accessory Storage Box	10
• Free-Arm Sewing: the Removable Extension Table	10~11
Know What the Presser Feet Will Do	12~15
• Foot Storage Compartment	12
• Presser Foot Types	13~15
A. Zigzag Foot	13
C. Overedge Foot	13
D. Quilter	13
E. Zipper Foot	13
F. Satin Stitch Foot	13
G. Blind Hem Stitch Foot	14
H. Straight Stitch Foot	14
J. Sliding Buttonhole Foot	14
N. Automatic Buttonhole Foot	14
• Check the Presser Foot	15
• Change the Presser Foot	15
Choose the Needle and Thread	16~17
• Check the Needle	16
• Fabric, Needle, Thread and Stitch Length Chart	17
• To Change the Needle	17
Prepare the Bobbin	18~20
• To Remove the Bobbin from the Machine	18
• Horizontal Spool Pin	18
• Additional Spool Pin	18
• Wind the Bobbin	19
• Insert the Bobbin into the Bobbin Holder	20
Prepare the Top Thread	21~24
• Thread the Needle	21
• Pick Up the Bobbin Thread	22
• Adjust the Top Thread Tension	23~24

For Straight Stitch	23
For Zigzag Stitch	24

SECTION 3. LEARN TO USE THE CONTROLS

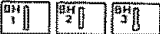
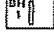
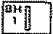
Main Function of Buttons	25
• Reverse Stitch Button	25
• Auto-Lock Button	25
• Up/Down Needle Position Button	25
• Control Panel	26
• Display Sharpness Adjusting Knob	26
• Mode Button	27
• Pattern Selection Buttons	27
• Direct Entry Stitch Buttons	27
• Memory Button	28
• Mirror Image Button	28
• Clear Button	28
• Twin Needle Button	29
• Editing Button	29
• Stitch Width Control Button	29
• Stitch Length Control Button	29
• Message Button	30

SECTION 4. PRACTICE COMMON STITCHING SKILLS

Use the Seam Guides	31
Turn a Square Corner	31
Sewing on Heavy Fabrics	32
Dropping the Feed Dogs	32
Basting 19	33
Darning 10	34
Sew a Button	35
Put in a Zipper	36~38

SECTION 5. LEARN THE STITCHES

Chart of Sewing Functions	39
Stitch Pattern Chart	40~46
Straight Stitches 10 ~ 12 , 17 and 18	47~56
• Straight Stitch	47
• Topstitching	48
• Position the Needle for Topstitching	49
• Pintucking	50
• Quilting	51

• Gathering	52
Straight Stretch 12	53
Lock-a-Matic Seam 11	54
Outline Stretch 17	55
Saddle Stitch 18	56
Zigzag Stitches 13 ~ 15 , 20 , 27 and 32	57~63
• Basic Zigzag 13	57
• Satin Stitch 13	58
• Overcasting Stitch 13	59
• Mending 14	60
• Overedge Seam 15	61
• Knit Stitch 20	62
• Double Edge Zigzag 27	62
• Rick-Rack Stretch 32	63
Automatic Darning 29	64~65
• Darning Small Rips	65
• Adjusting Evenness of Darning	65
Automatic Buttonholing 	66~68
• Adjust the Stitch Width and Density	68
Manual Buttonholing 	69~70
• Stitch Density on One Side	70
Corded Buttonholes 	71
Hemming and Edging Stitches 16 , 21 , 22 , 28 , 30 and 31	72~76
• Blind Hem Stitch (stretch) 16	73
• Blind Hem Stitch (woven) 28	73
• Shell Stitch 28	74
• Scallop Stitch 21 and 22	75
• Cut-Out Work Edging and Applique 30 and 31	76
Reinforcing Stitches 25 , 26 , 33 and 35	77~79
• Feather Stitch 25	77
• Fagoting Stitch 33	78
• Elastic Casing Stitch 33	79
• Elastic Stretch Stitch 35	79
Twin Needle Stitching 21 , 22 , 24 , 25 , 30 , 36 , 40 and 41	80
Decorate with Geometric Patterns 43 ~ 54	81

Decorate with Stretch Stitch Patterns 39 ~ 41 and 57 ~ 80	82
Cross Stitch 34	83
Smocking 23 , 24 , 36 , 37 and 41	84
Sand Stitch 38	85
Shading Stitches 55 and 56	86
Program Decorative Stitch Patterns 57 ~ 82 etc.	87~90
• One Cycle Stitching	87
• Two Cycle Stitching	88
• Cycle Stitching by Pressing Mirror Image Button	89
• Test Sewing Pattern Combinations	89
• Pattern Single Units	90
Memory Lock Alphabet and Numbers	91
Monogramming 00 ~ 09 , 10 ~ 40	92~93
• Combining Letters in Block Style	92
• Combining Large and Small Letters	92
• Combining Letters in Script Style	93
• Checking and Editing Your Program	94~95
Adjusting Patterns	96
• To Adjust Distorted Patterns	96
• To Adjust Distorted Letters or Numbers	96

SECTION 6. PERFORMANCE PROBLEMS CHART

What to Do When	97~98
-----------------	-------

SECTION 7. CARE FOR YOUR MACHINE

Cleaning the Machine	99
Cleaning the Bobbin Holder	99
Cleaning the Hook Race and Feed Dogs	99
Cleaning the Hook Race	99
Assemble the Hook Race	99
Oiling the Machine	100

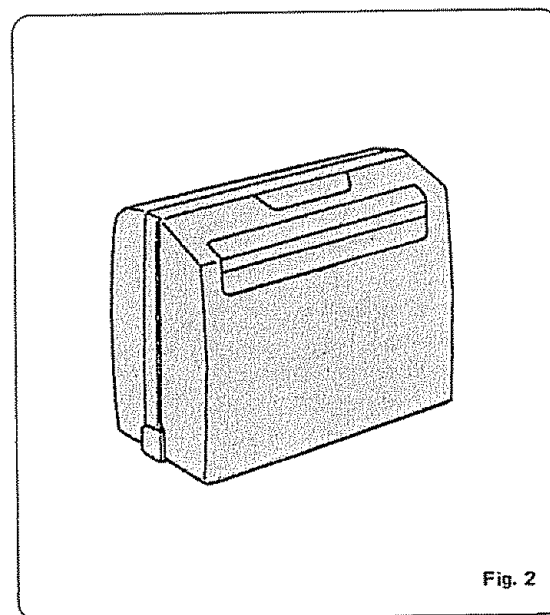
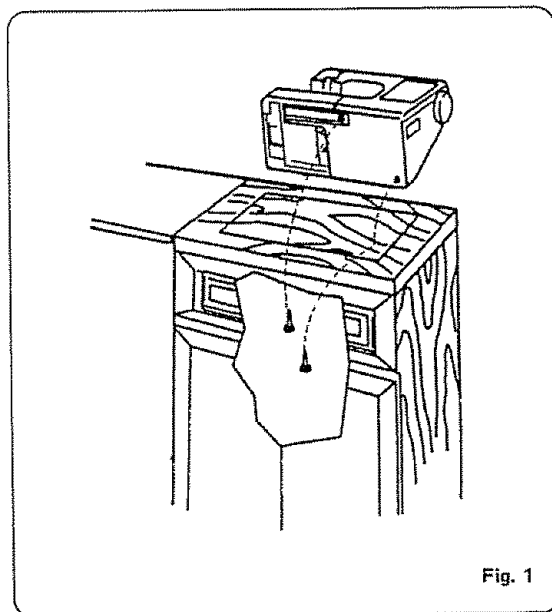
PARTS LIST	101~102
------------	---------

INDEX	103~104
-------	---------

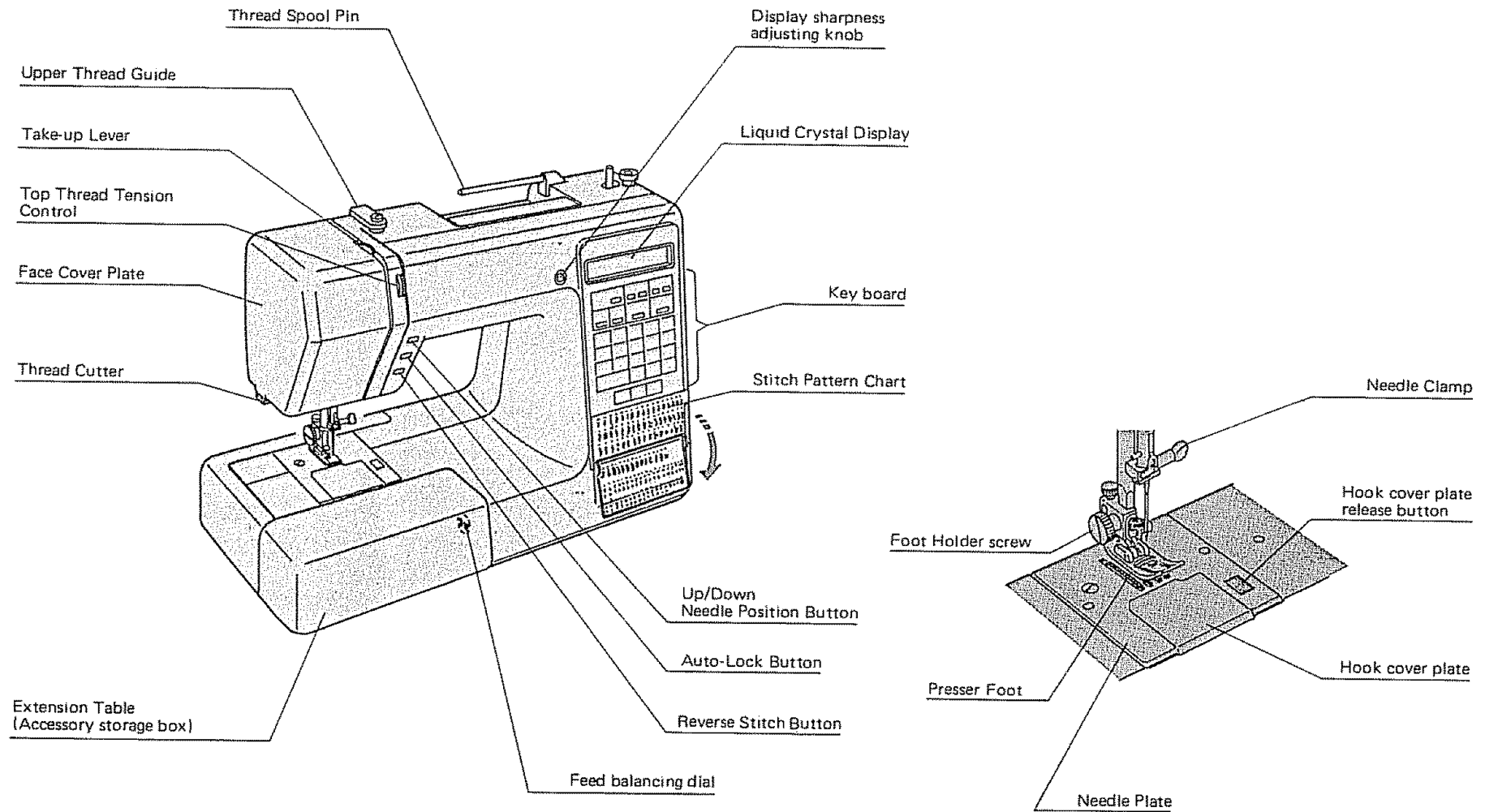
SECTION 1. KNOW YOUR MACHINE

A Portable Case or Cabinet is Available

A full line of sewing cabinets is available at your nearest Sears retail store or through our general catalog. Another option . . . buy a Carrying Case . . . then your Kenmore goes anywhere, can be stored anywhere.

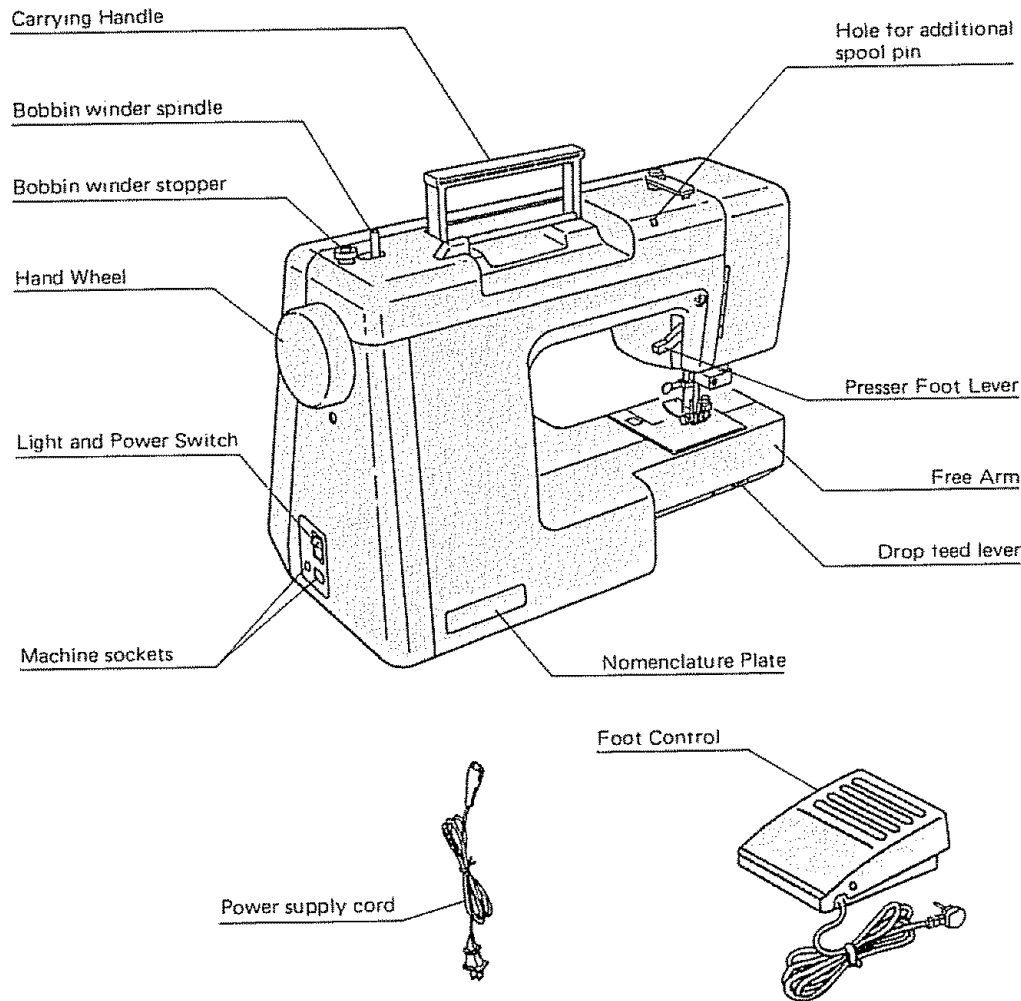


Locate and Identify the Parts

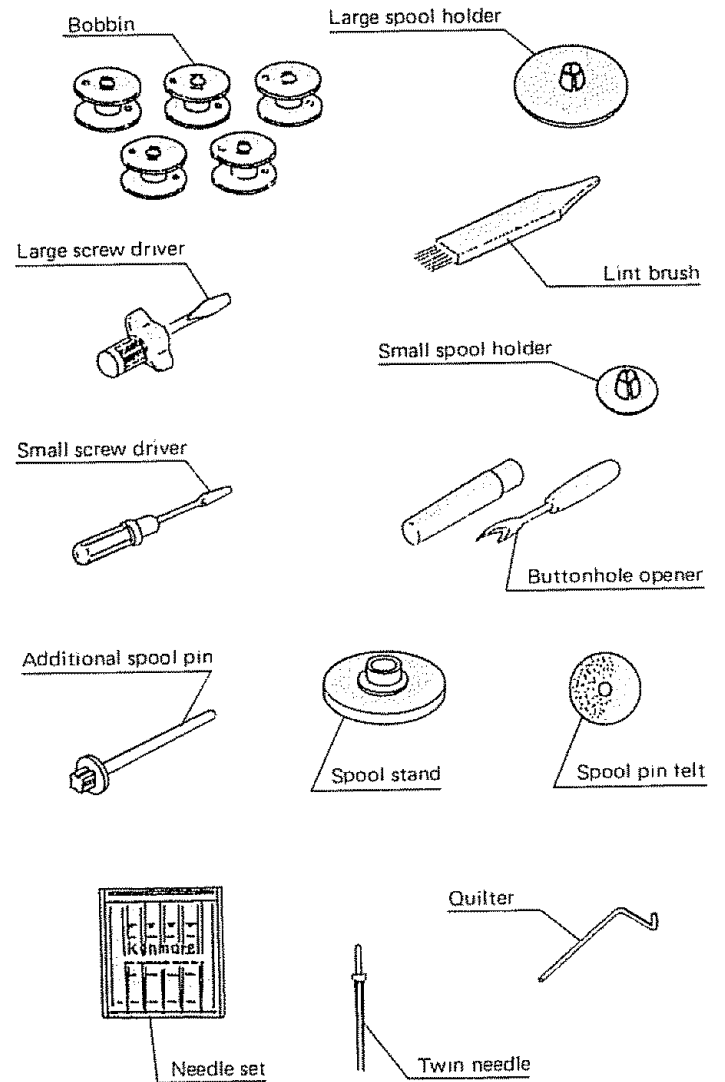


SECTION 1. KNOW YOUR MACHINE

Locate and Identify the Parts (Continued)



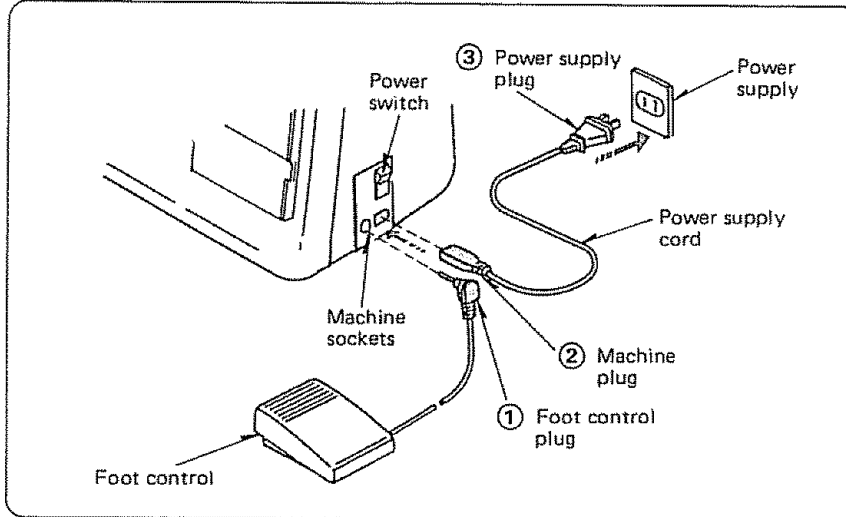
Identify the Accessories



SECTION 2. PREPARE YOUR MACHINE FOR SEWING

Set Up the Machine

• Plug in the Machine and Switch on the Power

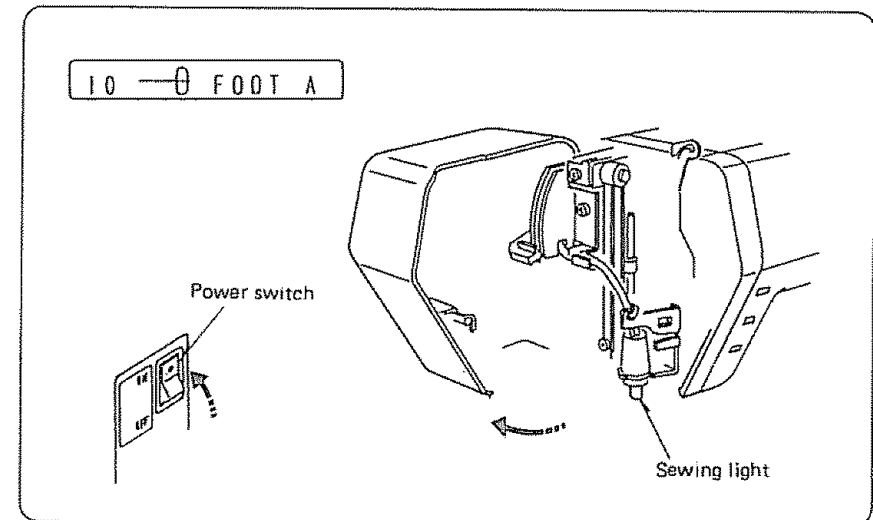


Before connecting the power cord, make sure the voltage and frequency shown on the machine conform to your electrical power.

Turn off the power switch, and insert the foot control plug (1) machine plug (2) and power supply plug (3) in this order.

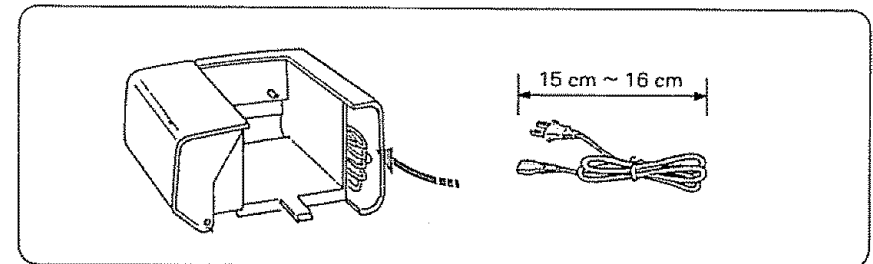
For Your Safety

1. While in operation, always keep your eye on the sewing area, and do not touch any moving parts such as the thread take-up lever, balance wheel or needle.
2. Always turn off the power switch, and unplug from the power supply:
 - When leaving the machine unattended.
 - When attaching or removing parts.
 - When cleaning the machine.
3. Do not place anything on the foot control, except in use.



When the power switch is turned on, the straight stitch is set on liquid crystal display automatically.

Store the power supply cord

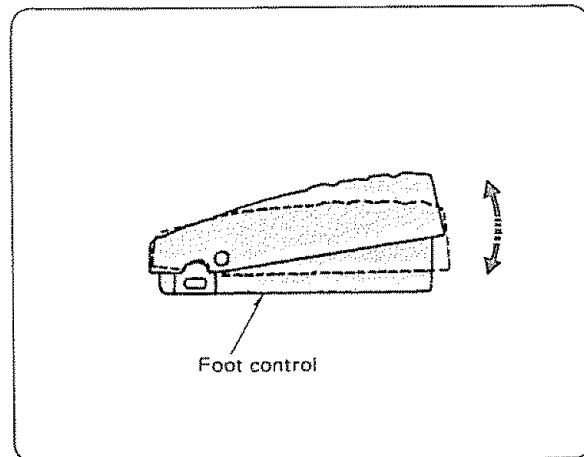


Power supply cord can be stored in extension table as shown.

SECTION 2. PREPARE YOUR MACHINE FOR SEWING

Set Up the Machine (Continued)

• Set the Foot Control



The foot control regulates the speed at which you sew.

To increase speed, gently press down with the ball of your foot.

To decrease speed, release your foot pressure slightly.

NOTE: The foot control is sensitive and will increase or decrease your sewing speed immediately. Practice on a scrap of fabric to regulate your sewing speed to your taste and needs.

OPERATING INSTRUCTIONS

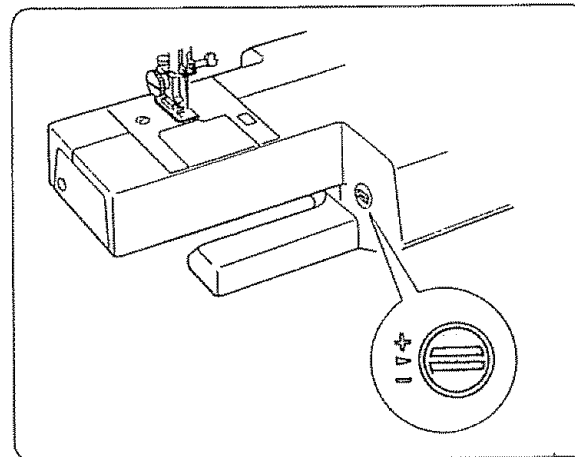
"For appliances with a polarized plug (one blade wider than the other).

To reduce the risk of electric shock, this plug is intended to fit in a polarized outlet only one way. If the plug does not fit fully in the outlet, reverse the plug. If it still does not fit, contact a qualified electrician to install the proper outlet. Do not modify the plug in any way."

"Foot Controller Model 21371 or YC-542 for use with Sewing Machine Models 385. 19150000 through 385. 19150999 and 385. 19153690."

(For U.S.A. market only)

• Check the Feed Balance Dial

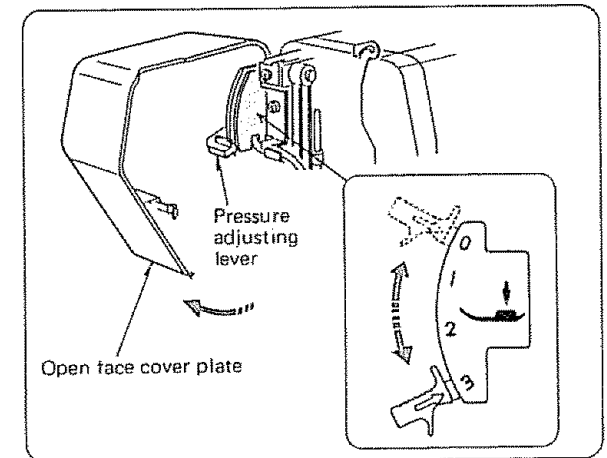


For most sewing, the groove in the Feed Balance Dial should point to the arrow ("▷").

You will rarely need to adjust the dial. But, if necessary, use this dial to regulate the feed balance for:

- * Buttonholes (See p. 70 for details).
- * Any "stretch" stitch such as patterns **12**, **15**, **17**, **18**, **20**, **21**, **23** ~ **25**, **27**, **30** ~ **41**, **57** ~ **80** and monogramming when sewing on special fabrics.

• Set the Pressure Adjusting Lever



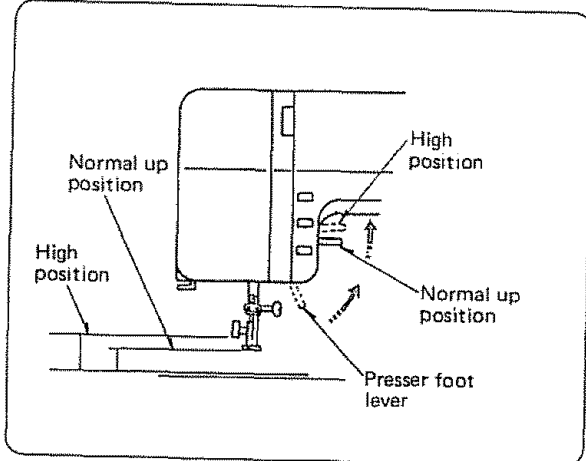
The pressure adjusting lever should be set at "3" for regular sewing. Reduce the pressure to "2" for applique, cut work, drawn work, basting and embroidery.

Set the pressure to "1" when sewing chiffon, lace, organdy and other fine fabrics. Velours and knits with a lot of stretch may also require a "1" setting.

0 . . . basting, manual darning and embroidery.

SECTION 2. PREPARE YOUR MACHINE FOR SEWING

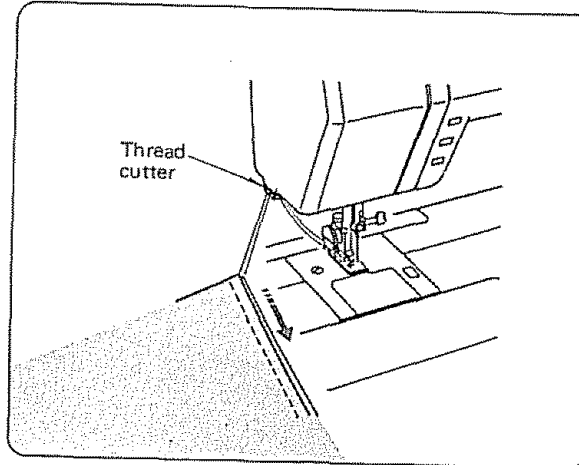
● Adjust the Presser Foot Lever



The Presser Foot Lever raises and lowers your presser foot.

You can raise it about 1/4" higher than the normal up position for easy removal of the presser foot or to help you place heavy fabrics under the presser foot.

● Thread Cutter

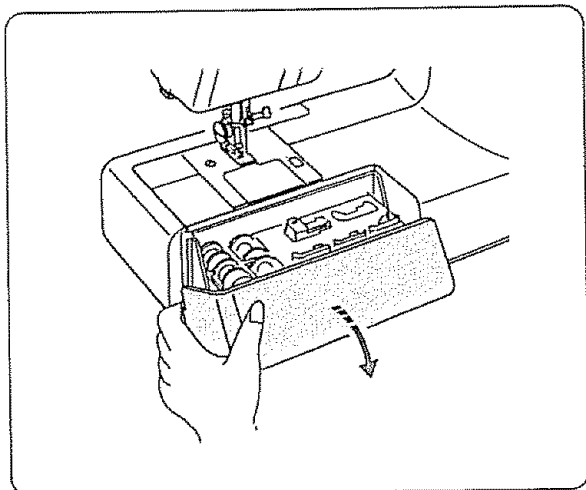


You don't need a pair of scissors to cut the thread after you finish sewing. Just use the handy thread cutter.

SECTION 2. PREPARE YOUR MACHINE FOR SEWING

Set Up the Machine (Continued)

- Accessory Storage Box

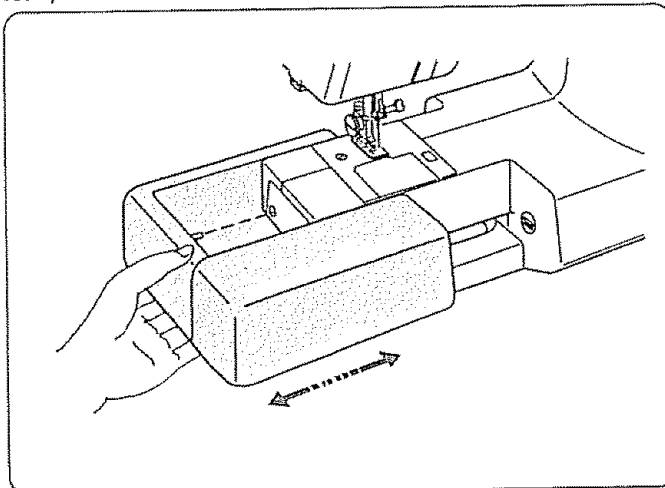


The lid of the accessory storage box lifts open toward you.

Sewing accessories are conveniently located in the box.

- Free-Arm Sewing: the Removable Extension Table

The extension table provides added sewing surface and can be easily removed for free arm sewing.



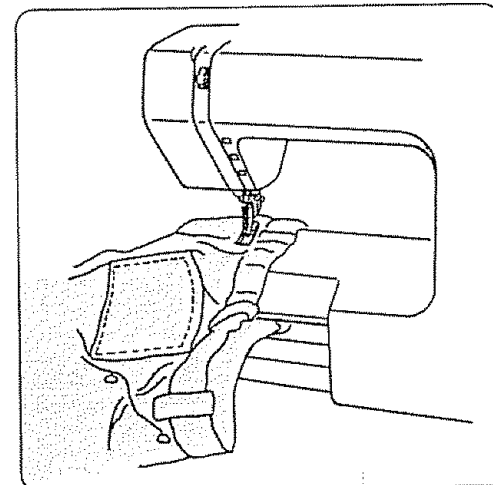
For free arm sewing.

Pull the end of the extension table away from the machine, as illustrated.

For attaching the table.

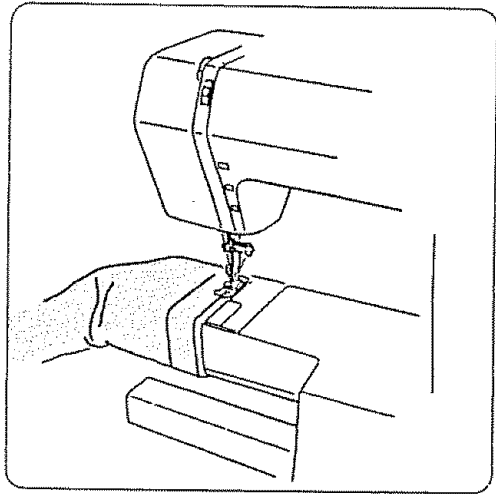
Push the extension table until its lugs fit into the machine.

Your sewing machine can do free arm sewing. This feature makes sewing easy for:

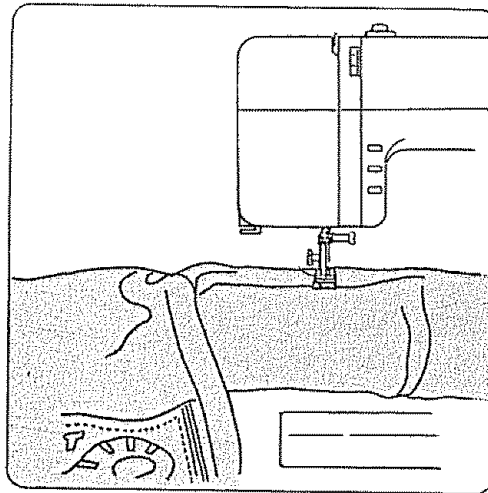


* Bar tacking to reinforce pockets, plackets and waistlines on ready-made or home-made garments to avoid fabric bunching around the needle.

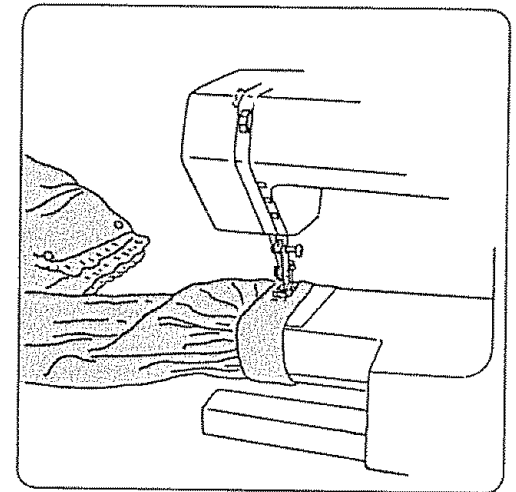
SECTION 2. PREPARE YOUR MACHINE FOR SEWING



* Stitching sleeves, waistbands, pants legs, or any circular garment area.



* Darning socks or mending knees, elbows, or areas of wear in children's clothes.



* Sewing buttons on sleeves, waistbands, etc.

SECTION 2. PREPARE YOUR MACHINE FOR SEWING

Know What the Presser Feet Will Do

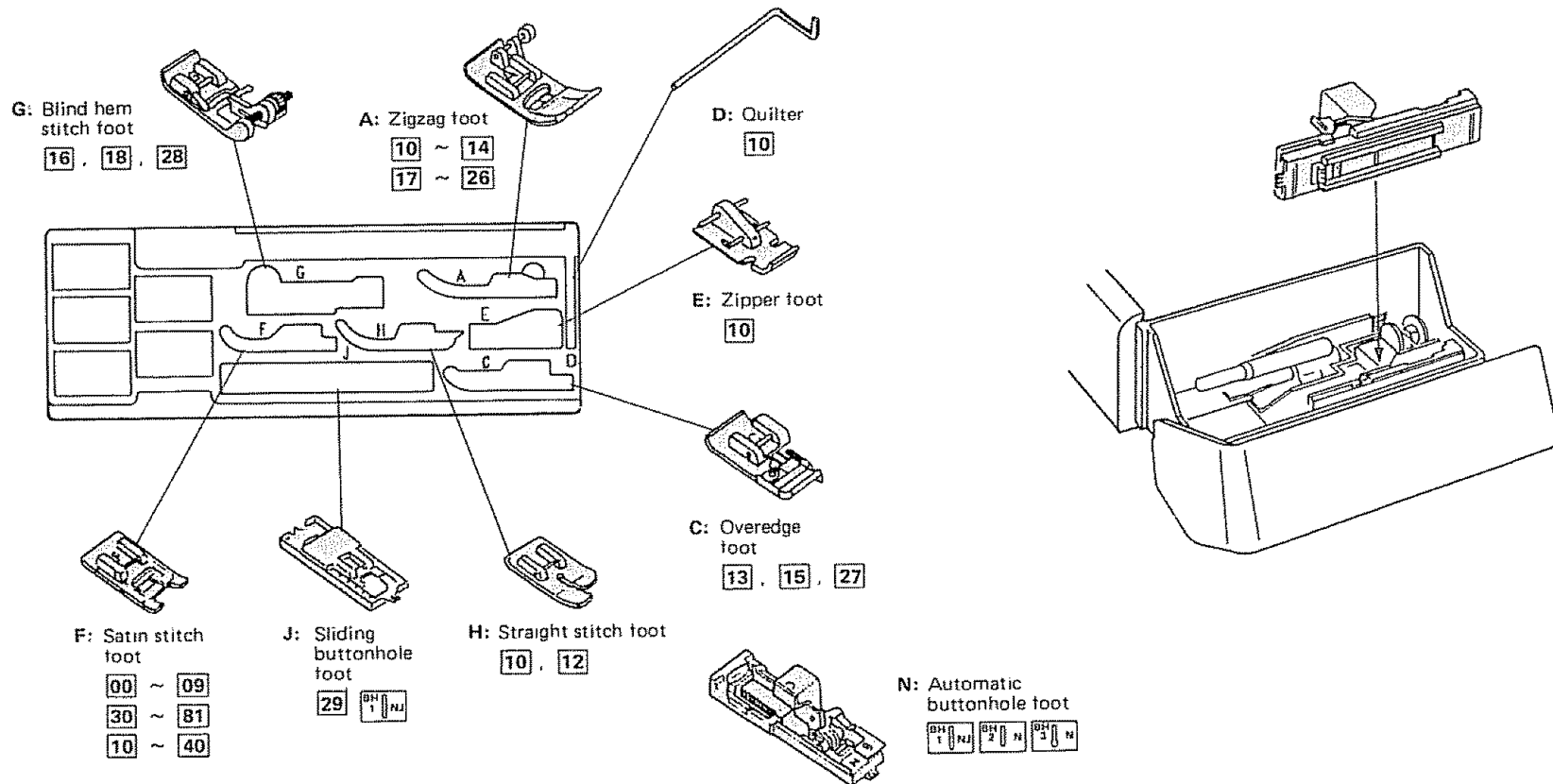
The Presser feet are an important feature of this machine. You need to know what each foot does in order to use them effectively.

The Foot Storage Compartment with most of the presser feet is located in the accessory storage box. (See page 10). Automatic buttonhole foot N and other sewing accessories will be found under the Foot Storage Compartment.

NOTE: The numbers after each foot indicate the stitch patterns where you use the foot.

The Automatic Buttonhole Foot N fits in the accessory storage box as illustrated.

● Foot Storage Compartment



● Presser Foot Types

A. Zigzag Foot



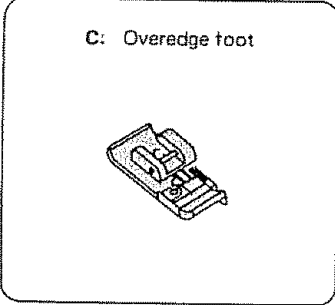
Use this foot for both straight and zigzag stitching.

The black button on the right side of the foot sets the foot to remain rigid so that you can sew on heavy fabrics.

(See p. 32 for detailed instructions.)

Stitch Patterns: **10** ~ **14**
17 ~ **26**

C. Overedge Foot



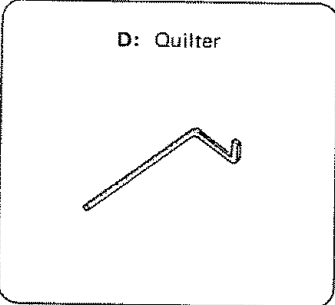
This foot is especially constructed for stitching and/or overcasting seams. The small brush and wire guides help control the fabric, hold the raw edge in place and keep it from puckering, especially when sewing on knit fabrics.

You may use this foot for the regular zigzag stitch **13** or with the overedges stitch **15**

See p. 59 and 61 ~ 62 for details.

Stitch Patterns: **13**, **15** and **27**

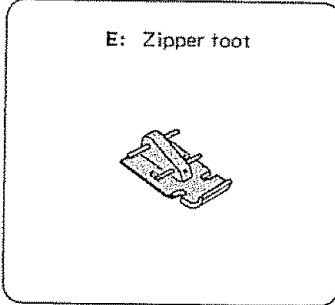
D. Quilter



This attachment turns your zigzag foot into a quilting foot. See p. 51 for detailed instructions.

Stitch Pattern: **10**

E. Zipper Foot

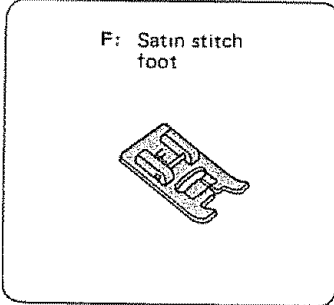


This foot can be set to sew on each side of your zipper. The edges of the foot guide the zipper and keep the seam straight.

For details on sewing zippers, see p. 36 ~ 38.

Stitch Pattern: **10**

F. Satin Stitch Foot



Use this transparent foot for outlining applique and Cut-Out Work, as well as for all your Decorative Stitching and monogramming.

Stitch Patterns: **00** ~ **09**
30 ~ **81**
10 ~ **40**

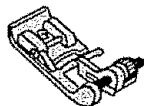
SECTION 2. PREPARE YOUR MACHINE FOR SEWING

Know What the Presser Feet Will Do (Continued)

● Presser Foot Types (Continued)

G. Blind Hem Stitch Foot

G: Blind hem
stitch foot



Use this foot for perfect blind hemming and topstitching. The foot has ridges on the bottom to keep the fabric from slipping and a guide screw on top to guide the folded edge of your hem.

For detailed instructions, see p. 48, 50 and 72 ~ 73.

Stitch Patterns: **16**, **18** and **28**

H. Straight Stitch Foot

H: Straight stitch foot

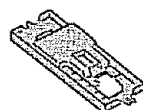


Use this foot exclusively for straight stitching.

Stitch Patterns: **10** and **12**
(Center needle position).

J. Sliding Buttonhole Foot

J: Sliding
buttonhole foot



Use this foot— for manual buttonholing. It is marked to help you measure your buttonholes accurately.

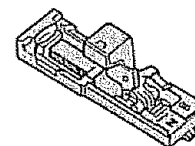
The maximum length of buttonhole that can be made by this foot is 30 mm.

For detailed instructions, see p. 64 and 69 ~ 71.

Stitch Patterns: **29** **BH1** **NJ**

N. Automatic Buttonhole Foot

N: Automatic
buttonhole foot



Use this foot for one step, automatic buttonholing.

Simply set a button on the guide of this foot and depress the foot control. You can then sew exactly the same length of buttonhole as the button.

For detailed instructions, see p. 66 ~ 68.

Stitch Patterns: **BH1** **NJ** **BH2** **N** **BH3** **N**

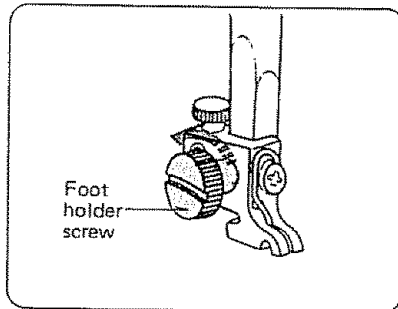
SECTION 2. PREPARE YOUR MACHINE FOR SEWING

• Check the Presser Foot

Your presser foot is held in place by a Foot Holder. Each presser foot merely snaps on the foot holder, which is seldom removed.

If you need to remove or attach the foot holder, here is what you do:

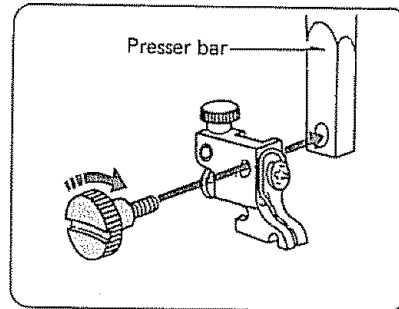
To Remove:



To Remove:

Turn the screw toward the back of the machine. Use the large screw driver.

To Attach:



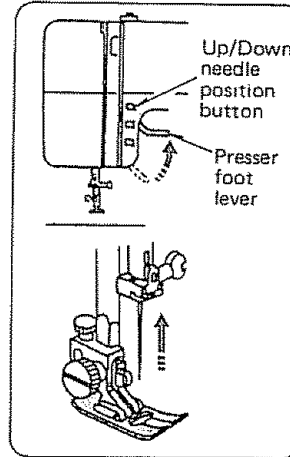
To Attach:

1. Match the hole in the foot holder with the threaded hole in the presser bar.
2. Fit the foot holder screw into the hole.
3. Tighten the screw by turning it toward you.

• Change the Presser Foot

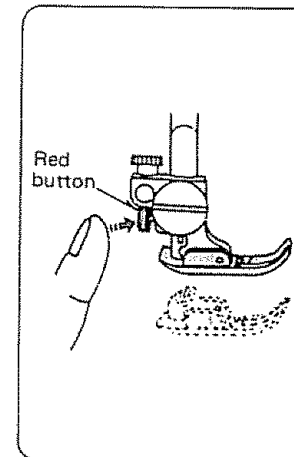
Use the correct presser foot for the stitch you wish to sew. Consult the Stitch Pattern Chart and the detailed directions for sewing with the various presser feet.

To snap off:

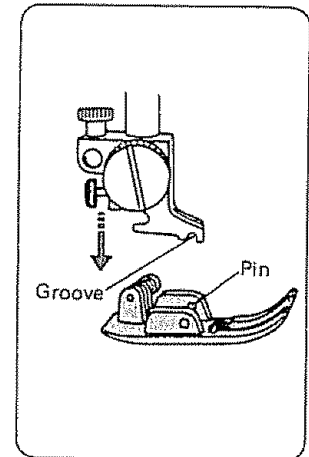


To Snap Off the Presser Foot:

1. Press the Up/Down Needle Position Button to raise the needle to its highest position.
2. Raise the presser foot.
3. Press the red button on the back of the foot holder. The presser foot will drop off.



To snap on:



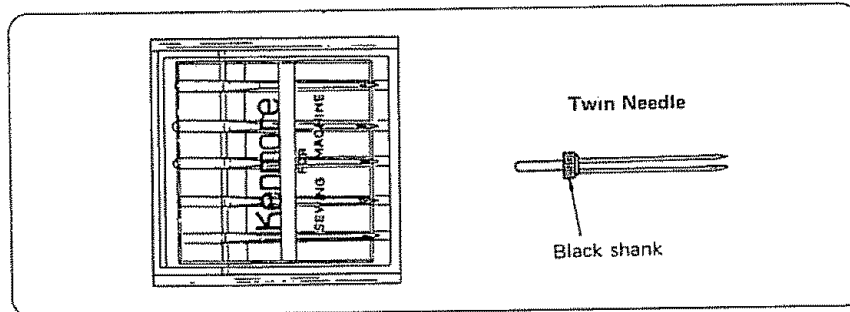
To Snap On the Presser Foot:

1. Set the Pressure adjusting lever at "3".
2. Place the presser foot so the horizontal pin on the foot is just under the groove of the foot holder.
3. Lower the presser foot holder to lock the presser foot in place.

NOTE: If you do not hear the presser foot snap in place, press down on the presser foot holder firmly until you hear the snap.

SECTION 2. PREPARE YOUR MACHINE FOR SEWING

Choose the Needle and Thread



The choice of needle and thread depends on the fabric you are sewing.

In your needle case, you will find the following color-coded needles:

- Blue (11) for stretch fabrics
- Orange (11) for lightweight fabrics
- Red (14) for medium or medium-heavy weight fabrics
- Purple (16) for medium-heavy weight and decorative topstitching on these fabrics.
(This needle has a larger thread hole for thicker topstitching thread.)
- Green (18) for heavy weight fabrics and decorative topstitching on these fabrics.
- Twin Needle for sewing parallel rows of straight or decorative stitches.

NOTE: These needles are found in the accessory storage box. (see page 10)

• Check the Needle

1. Look for barbed or blunt point.
2. A damaged needle can cause permanent snags or runs in knits, fine silks and silk-like fabrics.

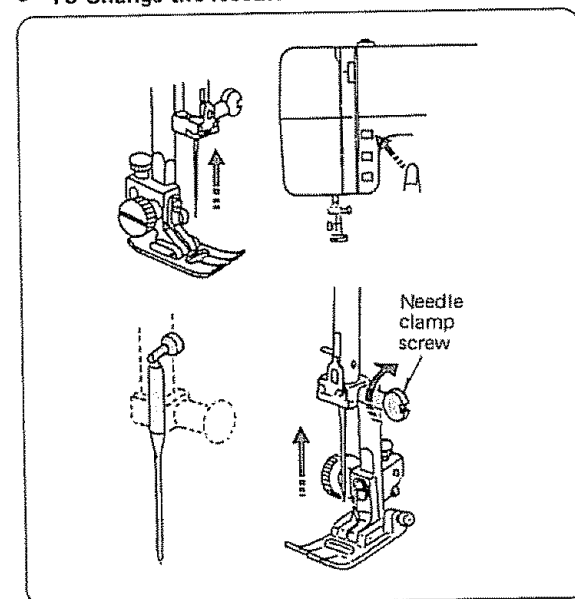
Always buy a good quality thread. It should resist tangling and be strong, smooth and consistent in thickness.

SECTION 2. PREPARE YOUR MACHINE FOR SEWING

• Fabric, Needle, Thread and Stitch Length Chart

FABRIC	NEEDLE SIZE AND COLOR	THREAD SIZE	RECOMMENDED STITCH LENGTH SETTING
Lightweight: Batiste, Dimity, Chiffon, Silks, Fine Lace, Organza, Crepe, Taffeta, Voile, Organdy	11-ORANGE	Polyester Core/Cotton Wrap Fine Mercerized Cotton Silk A	2.0 (12 stitches per inch)
Medium Weight: Cotton, Cotton Blends, Percale, Gingham, Shantung, Pique, Seersucker, Satin, Knits, Suitings, Linen, Wool Crepe, Leather	14-RED	50 Mercerized Cotton Polyester Core/Cotton Wrap Silk A	2.0 ~ 2.5 (10 ~ 12 stitches per inch)
Medium Heavy Weight: Corduroy, Denim, Wool, Sailcloth, Wool Flannel, Gabardine, Velvets, Leather	14-RED or 16-PURPLE	50 Mercerized Cotton Mercerized Heavy-Duty Polyester Core/Cotton Wrap Silk A	2.5 ~ 3.0 (8 ~ 10 stitches per inch)
Heavy Weight: Coatings, Upholstery Cotton Duck, Heavy Twills, Canvas	18-GREEN	Heavy Duty Mercerized Cotton Polyester Core/Cotton Wrap Silk A	3.0 (8 stitches per inch)
Decorative top-stitching on all types of fabric	16-PURPLE 18-GREEN	Buttonhole Twist (Use as top thread only)	4.0 ~ 4.5 (4 ~ 6 stitches per inch)
Stretch Fabric: Polyester Double Knits, Nylon Tricot, Jersey, Stretch Terry, Spandex, Cire Tricot	11-STRETCH FABRIC NEEDLE- BLUE	Polyester Core/Cotton Wrap 50 Mercerized Cotton	2.0 ~ 2.5 (10 ~ 12 stitches per inch)

• To Change the Needle



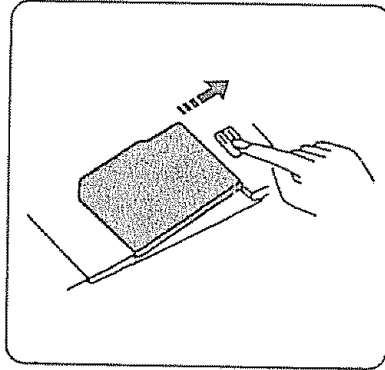
NOTE: Raise the needle bar to its highest position by pressing the Up/Down Needle Position Button:

1. Loosen the needle clamp screw by turning it toward you.
2. Remove the needle by pulling it downward.
3. Insert the new needle into the needle clamp with the flat side away from you.
4. Push the needle up as far as it will go.
5. Tighten the needle clamp screw firmly with the large screwdriver from your accessory box.

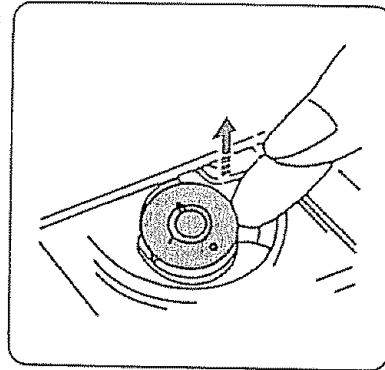
SECTION 2. PREPARE YOUR MACHINE FOR SEWING

Prepare the Bobbin

• To Remove the Bobbin from the Machine



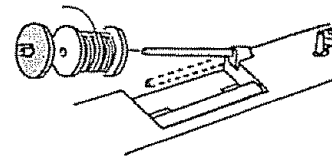
① Remove the cover plate by sliding the hook cover plate release button to the right.



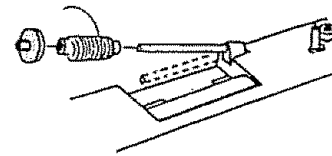
② Take out the bobbin.

• Horizontal Spool Pin

Ordinary Spool



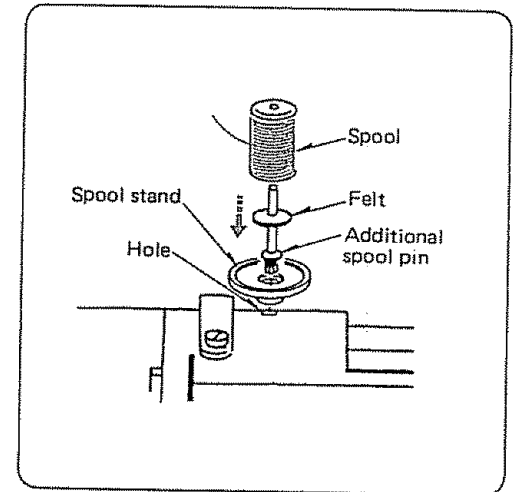
Small Spool



Lift up the spool pin. Place the spool of thread on the spool pin with the thread coming off the spool as shown.

Attach the large spool holder pressing it firmly against the thread spool.

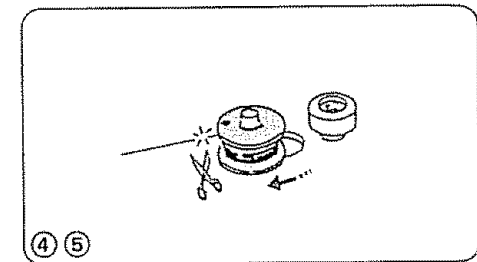
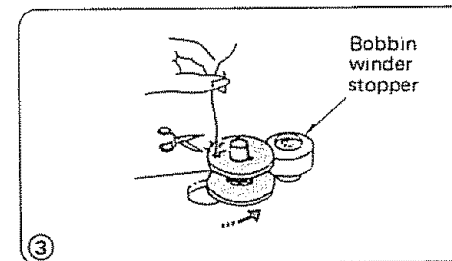
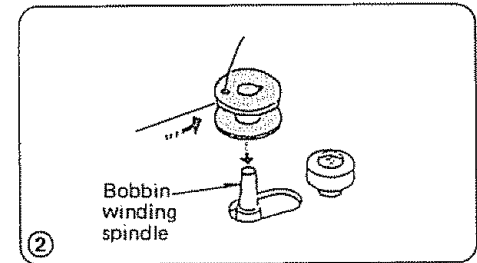
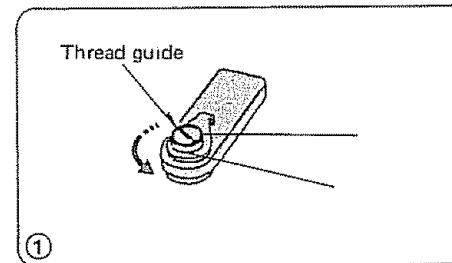
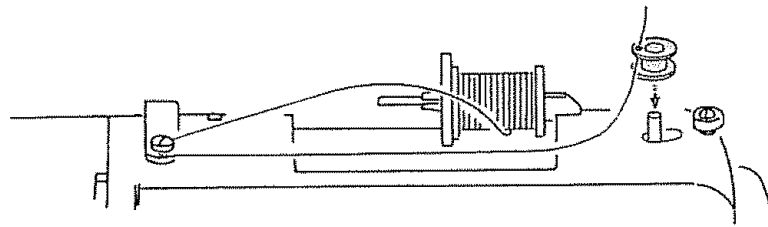
* The small spool holder is used with narrow or small thread spools.



The additional spool pin is used to wind extra bobbin without unthreading the machine or twin needle sewing (see page 80). To use, insert the spool stand and an additional spool pin in the hole. Place the felt and spool on the pin with the thread coming off the spool as shown.

SECTION 2. PREPARE YOUR MACHINE FOR SEWING

• Wind the Bobbin

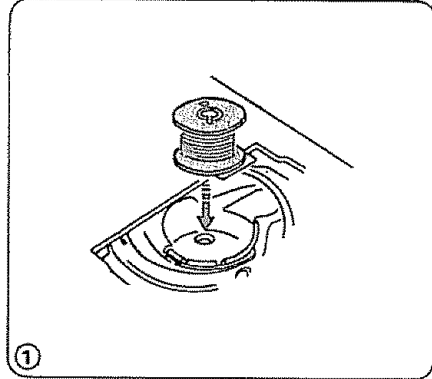


- ① Guide the thread around the thread guide.
- ② Thread through the hole in the bobbin from the inside to the outside.
- ③ Put the bobbin on the bobbin winder spindle, and push it to the right. With the free end of the thread held in your hand, depress the foot control. Stop the machine when it has made a few turns, and cut the thread close to the hole in the bobbin.
- ④ Depress the foot control again. When the bobbin is fully wound, it will stop automatically.
- ⑤ Return the bobbin winder to its original position by moving the spindle to the left, and cut the thread as shown.

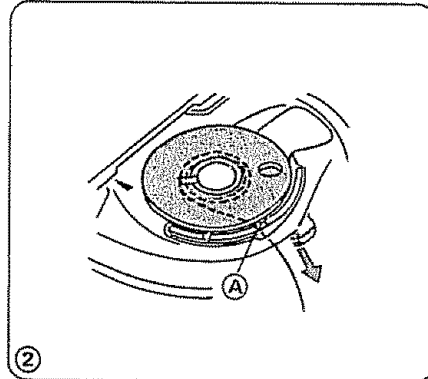
SECTION 2. PREPARE YOUR MACHINE FOR SEWING

Prepare the Bobbin (Continued)

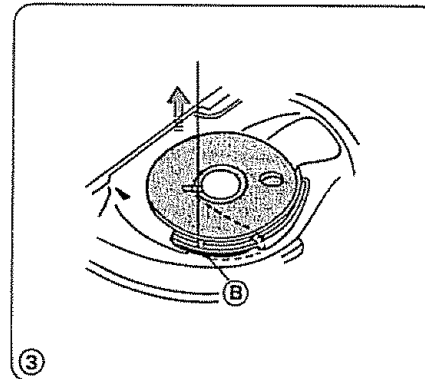
- Insert the Bobbin into the Bobbin Holder



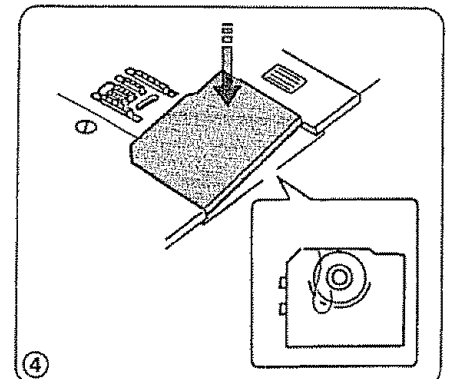
① Put the bobbin into the bobbin holder so that the thread feeds counter-clockwise (left).



② Pull about 4 inches of thread toward you through the tension slot **A**.



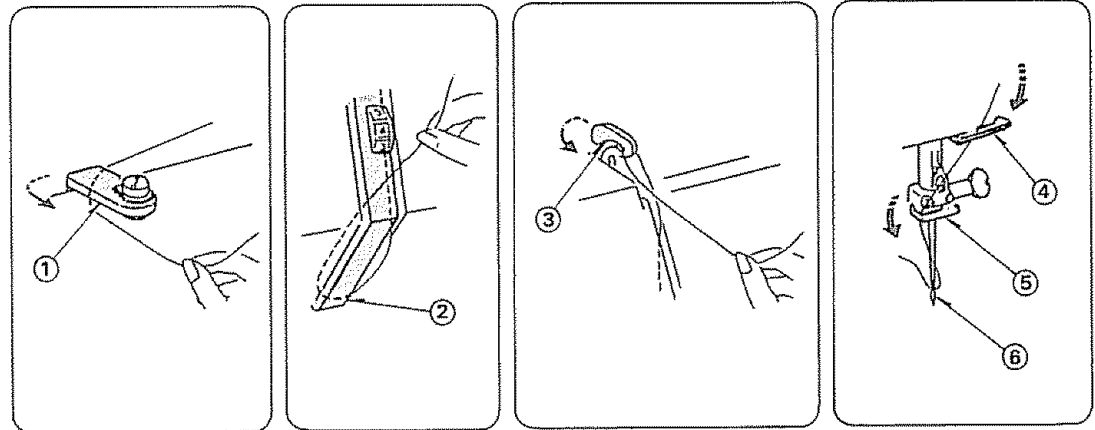
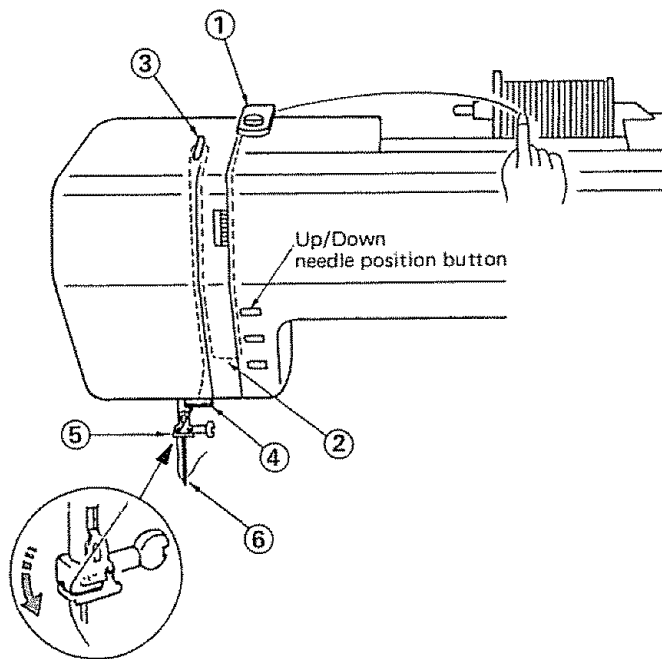
③ Then pull the thread clockwise toward the back of the machine through the slot **B**.



④ Pull out about 15 cm (6") of thread and attach the hook cover plate.

Prepare the Top Thread

● Thread the Needle



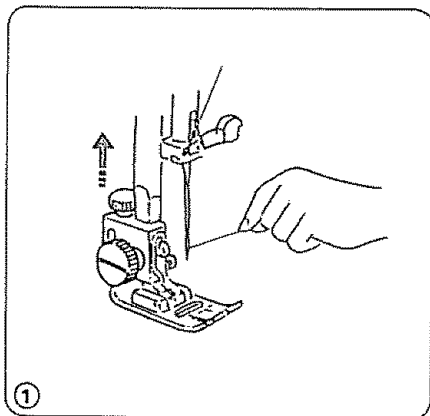
Raise the presser foot lifter.
Press the Up/Down needle position button twice to raise the needle.

- ① Draw thread into thread guide using both hands.
- ② Then down around the check spring holder.
- ③ Firmly draw the thread from right to left over the take-up lever and down into the take-up lever eye.
- ④ Then down through the lower thread guide.
- ⑤ Slide the thread behind the needle bar thread guide on the left.
- ⑥ Thread the needle from front to back.

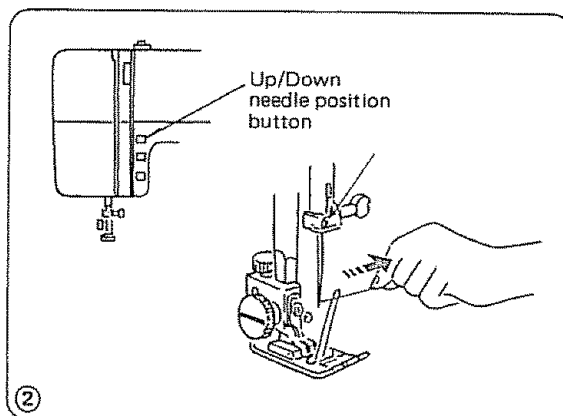
SECTION 2. PREPARE YOUR MACHINE FOR SEWING

Prepare the Top Thread (Continued)

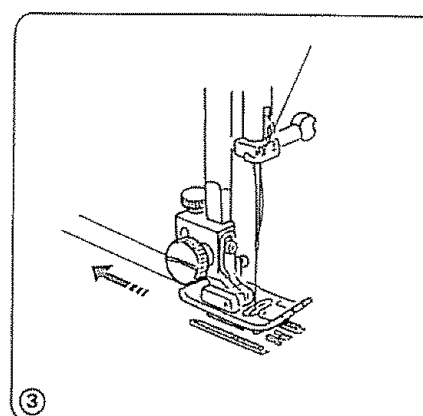
- Pick Up the Bobbin Thread



① Hold the top thread lightly with your left hand.

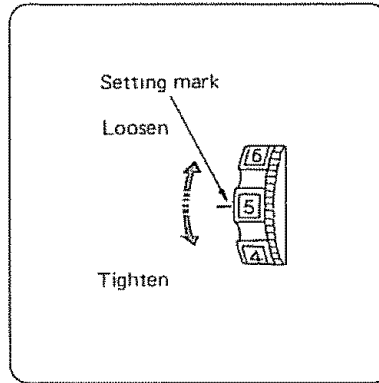
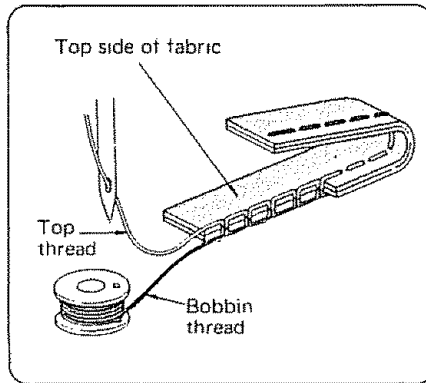


② Press the Up/Down Needle Position Button Twice.
Bring the bobbin thread up by pulling the top thread.



③ Pull both threads under and to the back of the presser foot, leaving 4 to 6 inches of thread clear.

• Adjust the Top Thread Tension



For Straight Stitch

The ideal straight stitch will have threads locked between the two layers of fabric, as shown above, magnified to show detail.

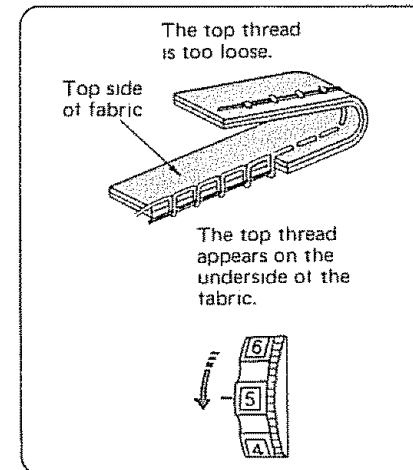
If you look at the stitch, front and back, you will notice that there are no gaps, that each stitch is smooth and even.

When adjusting top thread tension, the higher the number, the tighter the top thread.

Choose the Correct Tension:

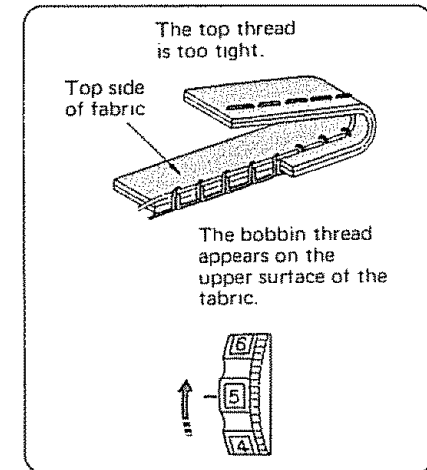
The best tension will depend on;

- the stiffness and thickness of the fabric
- the number of fabric layers
- the type of stitch



Tension is too loose:

The top thread shows through the bottom of the fabric. The bottom side of the stitch will feel bumpy.



Tension is too tight:

The bobbin thread will come through the top of the fabric. The top side of the stitch will feel bumpy.

SECTION 2. PREPARE YOUR MACHINE FOR SEWING

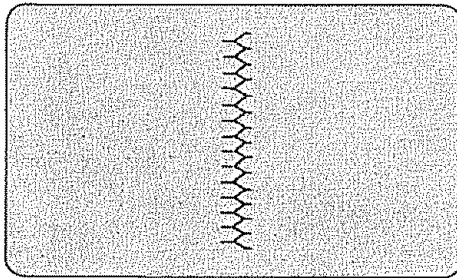
Prepare the Top Thread (Continued)

- Adjust the Top Thread Tension (Continued)

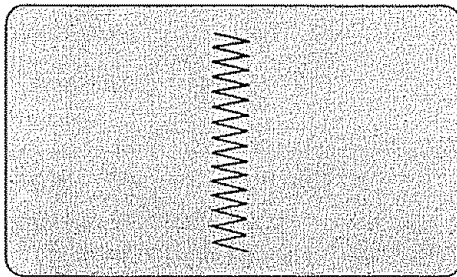
For Zigzag Stitch

In the correct zigzag stitch, the bobbin threads will not show on the top side of fabric and the top threads will show slightly on the bottom side. See below for the correct appearance. To match this appearance, adjust your top tension.

Top tension
Too Tight



Top side of Fabric

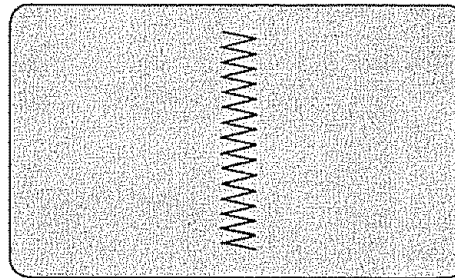


Bottom side of Fabric

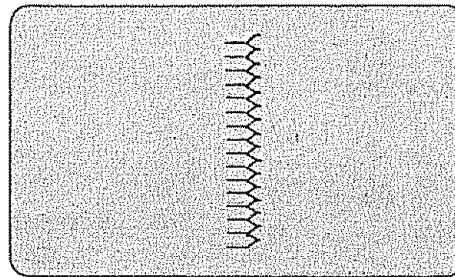
Too Tight:

Corner of each zigzag will pull together on the top side of fabrics.

Top tension
Too Loose



Top side of Fabric

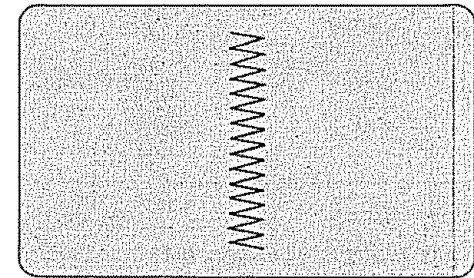


Bottom side of Fabric

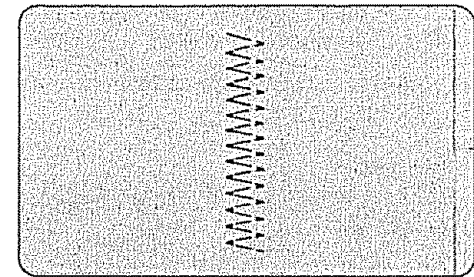
Too Loose:

The top thread will loop through bottom side of fabric and will be pulled almost together.

Just Right



Top side of Fabric

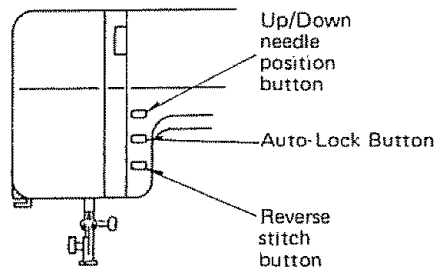


Bottom side of Fabric

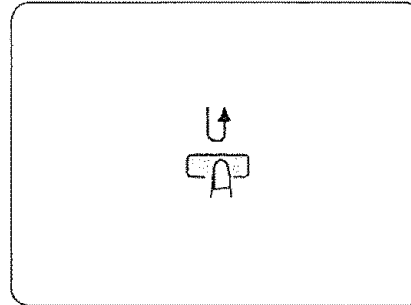
Just Right:

Minimize the amount of top thread visible on the bottom side of fabric without causing excessive puckering or causing the bobbin thread to show on the top side. Results vary with fabric, thread and sewing conditions.

Main Function of Buttons

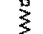
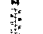


- Reverse Stitch Button



Use this button to:

- secure seams.
- reinforce the seams and the top edges of pockets:

At Straight Stitching, Zigzag Stitching () and Mending Stitching ().

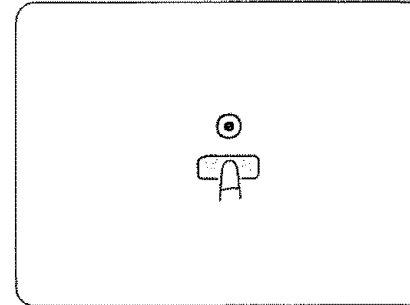
Press and hold the reverse stitch button.


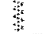
The machine will sew in reverse until you release the button.

At Utility
Stitching and Decorative Stitching:

Press this button, then the machine will sew auto-lock stitch immediately and stops automatically.

- Auto-Lock Button



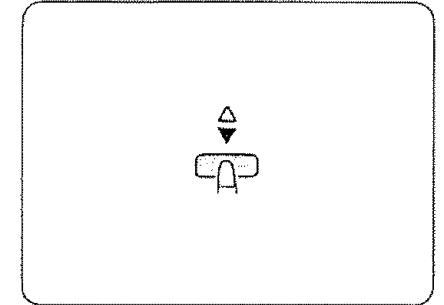
At Straight Stitching Zigzag Stitching () and Mending Stitching ().

The machine will take a few stitches in place and stop automatically.

At Utility
Stitching and Decorative Stitching:

Press this button running the machine then the machine will sew auto-lock stitch at the end of pattern and stops automatically.

- Up/Down Needle Position Button



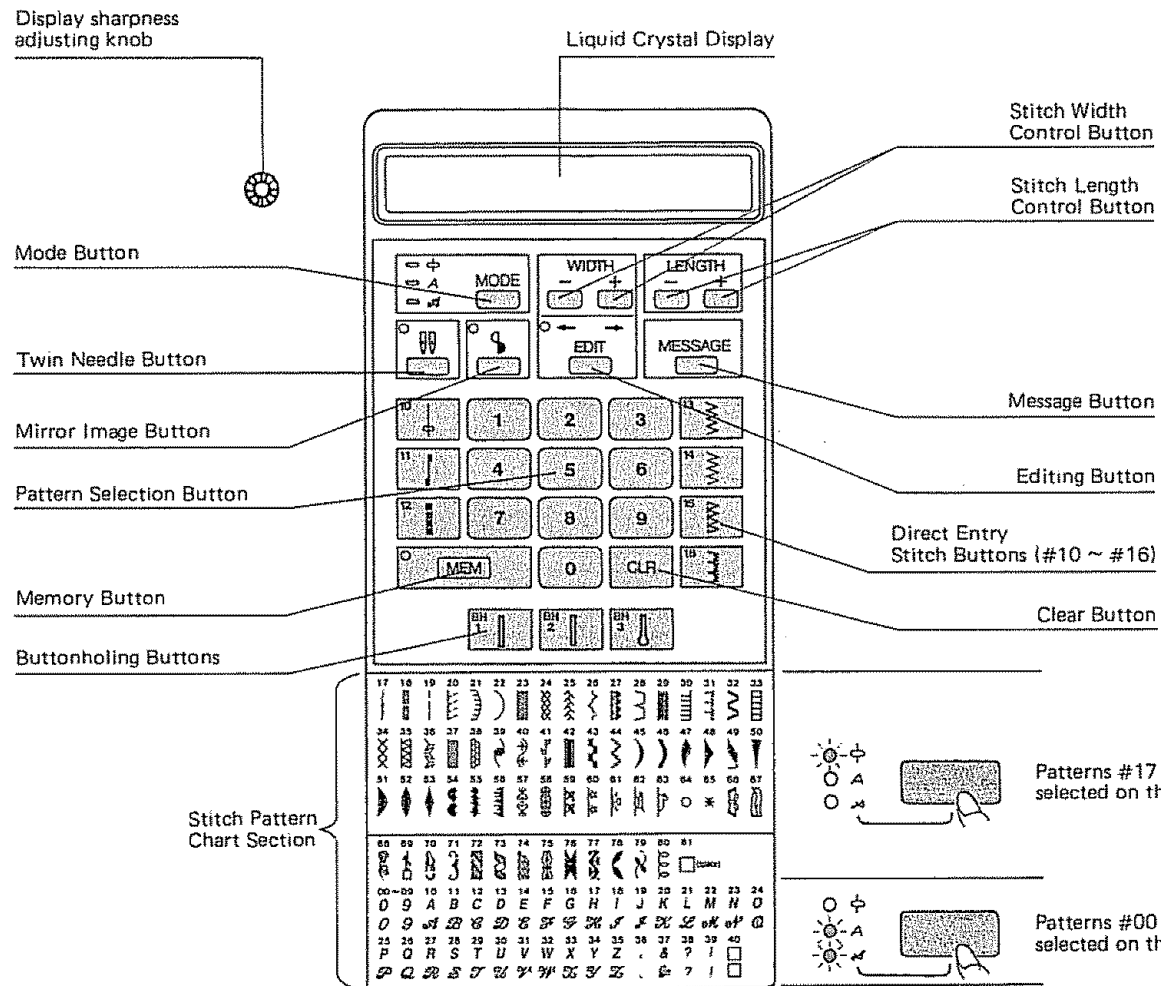
When you press this button, the needle will go up or down.

If the needle is up and you press this button, the needle will go down to its lowest position.

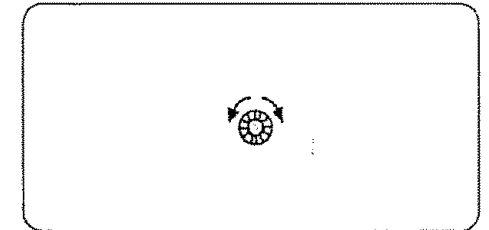
If the needle is down and you press this button, the needle will go to its highest position.

SECTION 3. LEARN TO USE THE CONTROLS

• Control Panel



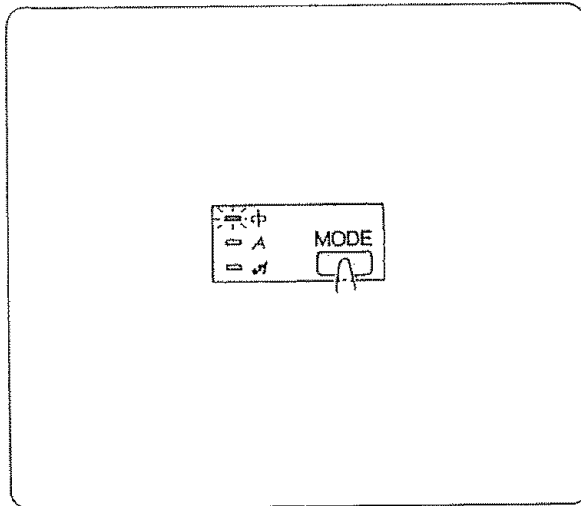
• Display Sharpness Adjusting Knob



By turning the display sharpness adjusting knob, sharpness of liquid crystal display will change.

SECTION 3. LEARN TO USE THE CONTROLS

• Mode Button

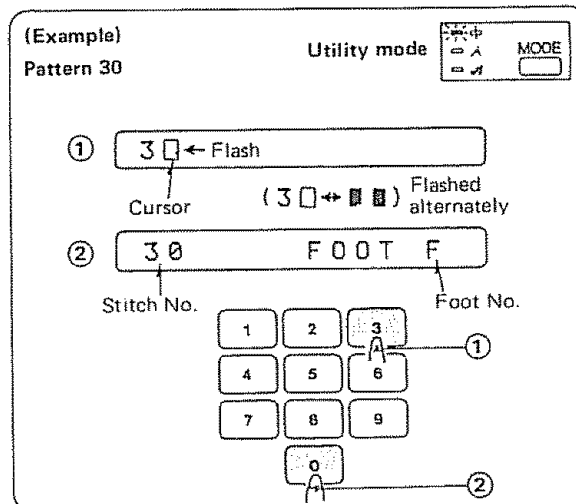


When the power switch is turned on, the utility mode is set automatically.

Press the mode button, to change to block alphabet or script alphabet.

The LED indicates the mode selected.

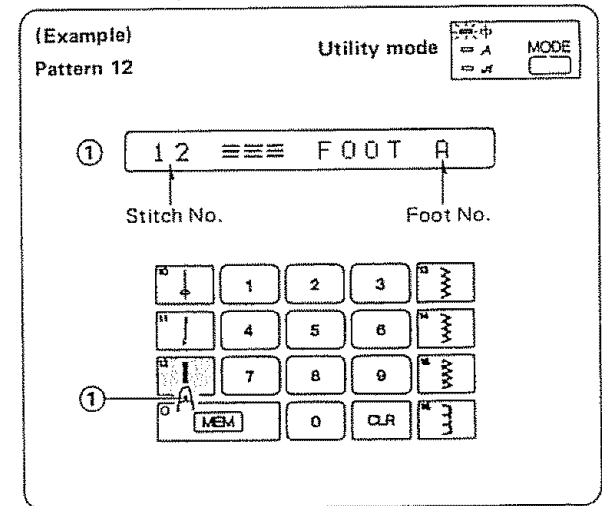
• Pattern Selection Buttons



To Select a Stitch Pattern:

Press two numbers to indicate which pattern you want to use.

• Direct Entry Stitch Buttons



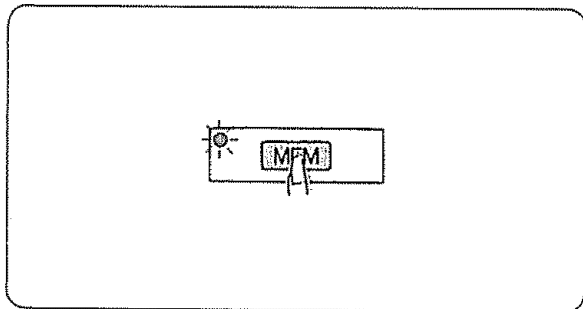
You can select these patterns by pressing pattern selection buttons.

The following patterns can be selected simply by pressing the stitch button.



SECTION 3. LEARN TO USE THE CONTROLS

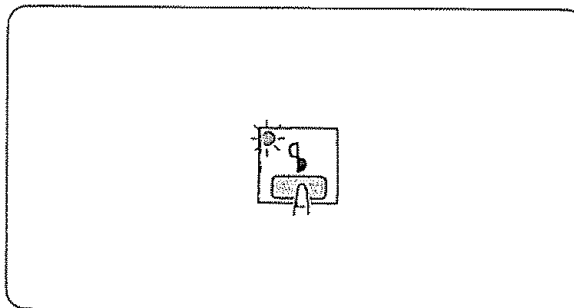
• Memory Button



The Memory Button, with its LED Light, will “memorize” your pattern selection. Press the Memory Button after you select your stitch pattern. The LED light will go on to show that the machine has recorded your selection.

NOTE: If you are selecting a series of different stitch patterns, you must press the memory button after each selection.
The machine will remember them in order.

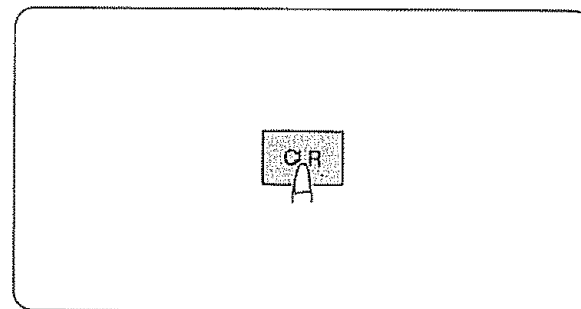
• Mirror Image Button



Use this button to:

- sew & memorize patterns in a mirror image.
- sew & memorize letters and numbers in two third size.

• Clear Button

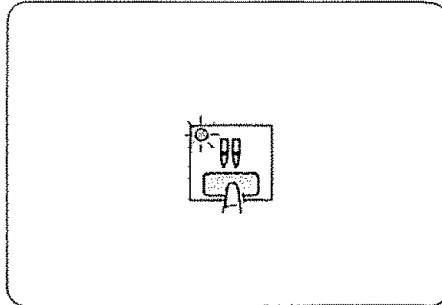


The Clear Button works in two ways to clear a series of stitch patterns, depending on whether you have pressed the foot control.

1. **Foot Control Not Pressed:**
The Clear Button clear one stitch pattern at a time, beginning with the last selected and ending with the first selected. This allows you to correct any mistakes made while programming a series of patterns. The Clear Button will delete all stitches at once if pressed after editing.
2. **Foot Control Pressed:**
The Clear Button deletes all stitch patterns in the series at once.

NOTE: Turning off the machine will clear the memory completely.

• **Twin Needle Button**

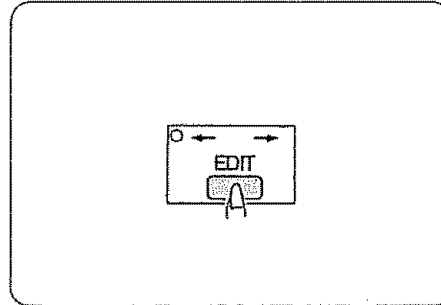


Just press this button and the machine automatically reduces the maximum width for twin needle sewing.

Press button again for single needle sewing.

For detailed instruction, see page 80.

• **Editing Button**

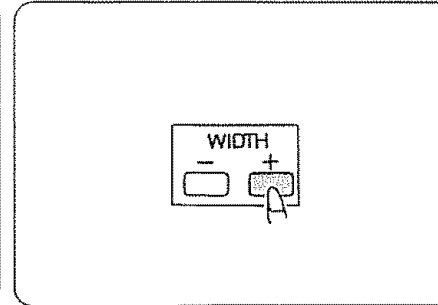


Use this button to:

- check and correct pattern combinations before sewing.
- press again when editing is completed and the light will go out.

For editing, use the stitch width control button to select editing position. (see page 94, 95).

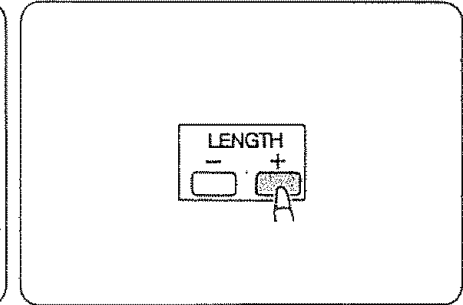
• **Stitch Width Control Button**



- Stitch width and stitch length will be showing on liquid crystal display.

* To Decrease the stitch width:
Press the “-” button.
The stitch width will decrease.
To Increase the stitch width:
Press the “+” button.
The stitch width will increase.

• **Stitch Length Control Button**

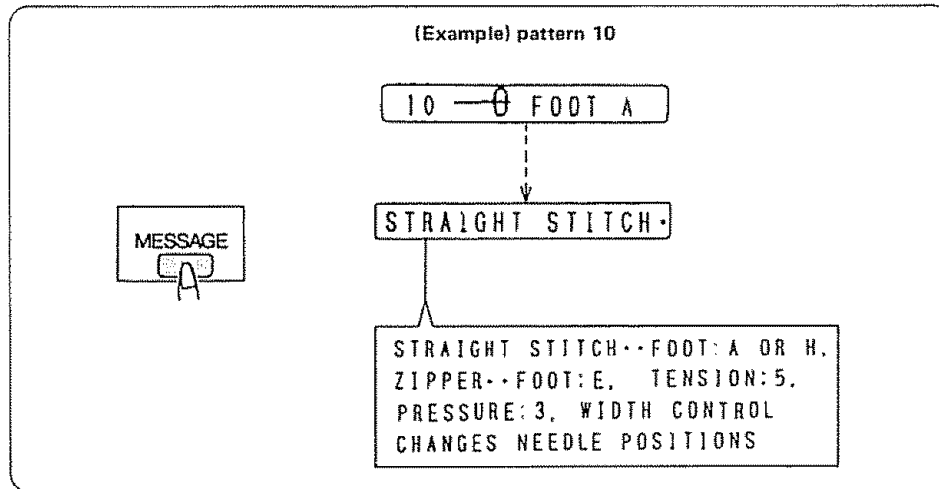


- Stitch width and stitch length will be showing on liquid crystal display.

* To Decrease the stitch length:
Press the “-” button.
The stitch length will decrease.
To Increase the stitch length:
Press the “+” button.
The stitch length will increase.

SECTION 3. LEARN TO USE THE CONTROLS

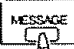
• Message Button

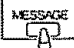


Adjusting the thread tension may be required depending on the type of fabric and thread being used.

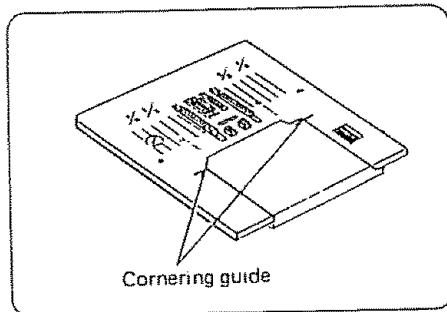
When you press the message button, the message on the liquid crystal display will scroll to the left after 2 seconds.

* Suitable presser foot, Thread tension, Pressure or special sewing method will be shown on the liquid crystal display.

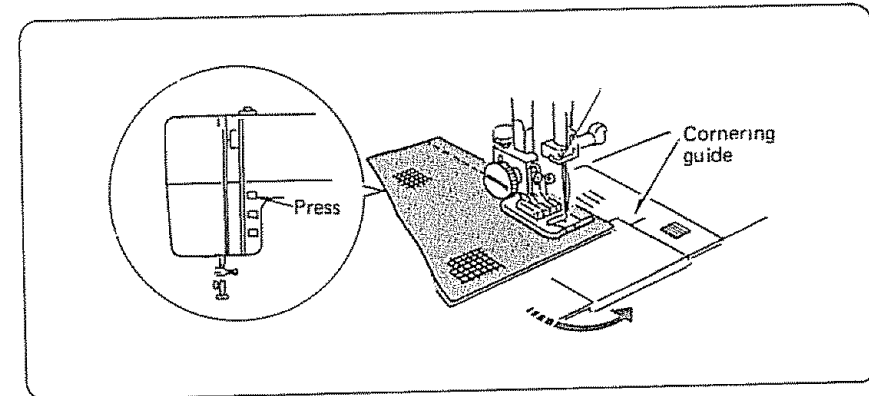
When you want to stop the scrolling → Press  button.

To continue to scroll the message → Press  button.

* To return to the original screen → Press  button.

Use the Seam Guides

The seam guides on the needle plate are engraved to help you measure seam width. The lines are 1/8" apart, with the 5/8" and 7/8" lines marked.

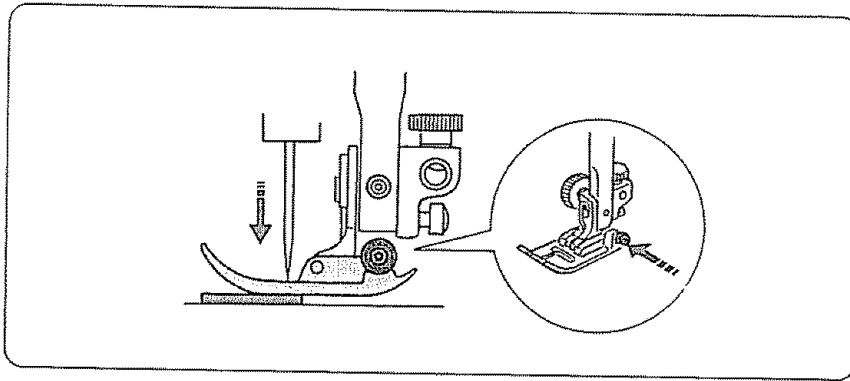
Turn a Square Corner

To turn a square corner 5/8" from the fabric edge:

1. Stop stitching and lower the needle by pressing the Up/Down Needle Position button when the fabric edge facing you lines up with the cornering guide as shown.
2. Raise the presser foot and turn the fabric to line the edge with the 5/8" seam guide.
3. Lower the presser foot and begin stitching in the new direction.

SECTION 4. PRACTICE COMMON STITCHING SKILLS

Sewing on Heavy Fabrics



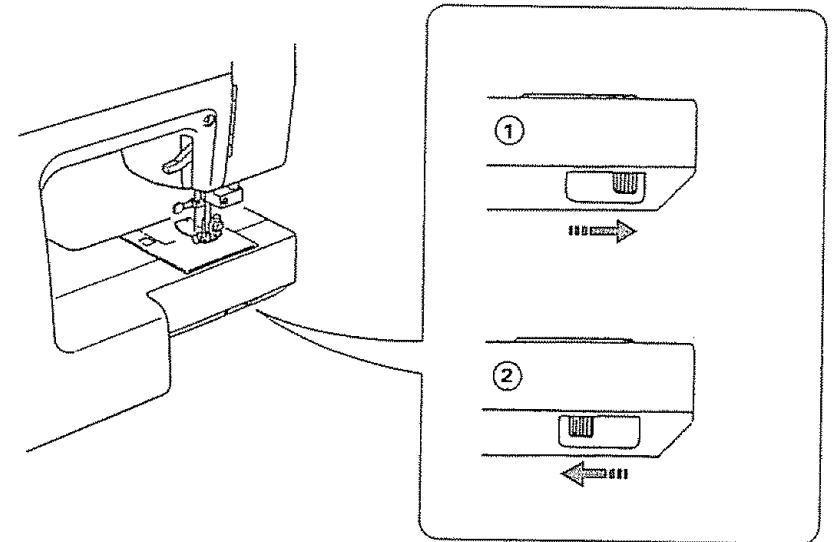
When sewing from 3 to 12 layers of fabric, such as sewing over welt seams when hemming jeans.

1. Use Foot A (Zigzag foot) with the black spring button.

NOTE: This black button locks the foot so it does not give with the fabric.

2. Sew as usual.
3. Stop when your needle reaches the point where the fabric layers increase.
4. Lower the needle and raise the presser foot.
5. Press and hold the black button as you lower the presser foot.
6. Release the black button and continue sewing.

Dropping the Feed Dogs



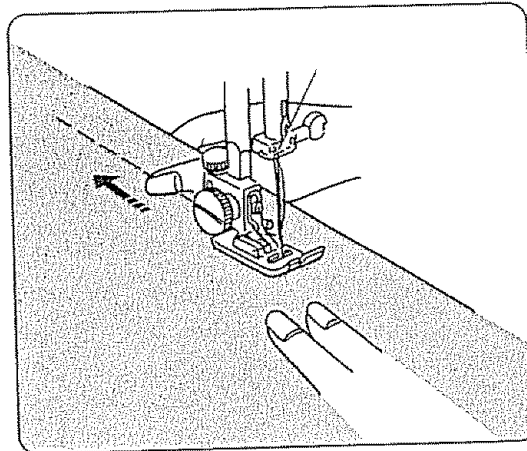
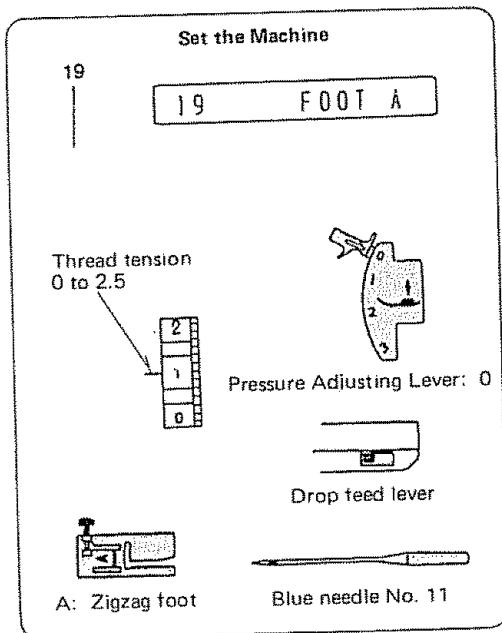
The drop feed lever is located underneath the free arm bed on the back side of the machine. Remove extension table to operate.

- ① To raise the feed dogs, push the lever in the direction of the arrow as illustrated. Then turn the handwheel.

- ② For dropping the feed dogs, push the lever in the direction of the arrow as illustrated.

* Feed dogs must always be up for normal sewing.

Basting 19



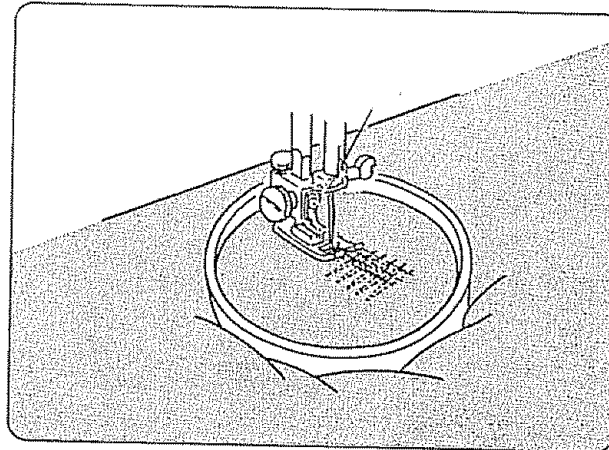
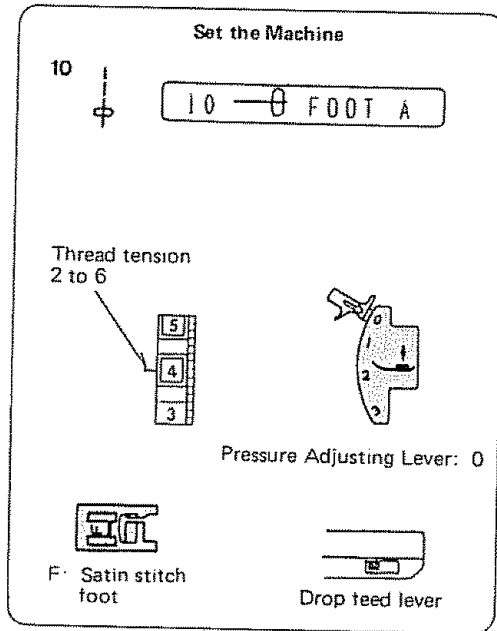
Drop the feed dogs. (see p. 32).

1. Press the foot control.
The machine will make one stitch and stop automatically.
2. Release the foot control.
3. Hold the fabric taut and slide it to the place where you want the next stitch.
4. Press the foot control.

When basting is completed, reset the presser adjusting lever to 3, reset the tension dial to 5 and raise the feed dog.

SECTION 4. PRACTICE COMMON STITCHING SKILLS

Darning 10

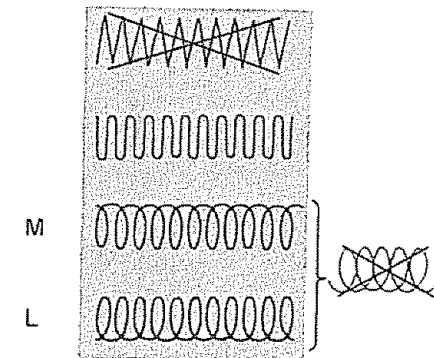


1. Drop the feed dogs. (see p. 32).
2. Stretch the fabric with the hole in the center between embroidery hoops, as shown.
3. Lower the presser bar and sew at a slow speed.
4. Move the fabric back and forth slowly until you have covered the darning area.
5. Turn the fabric 1/4 turn and sew another layer of stitching over the first layer.

NOTE: If your fabric is thin or badly damaged, use a separate piece of fabric under the hole to reinforce it.

6. When darning is completed, reset the presser adjusting lever to 3, tension dial to 5 and raise the feed dog.

NOTE: See pages 64 ~ 65, automatic darning for a quick, easy way to mend rips & holes.



How to darn correctly.

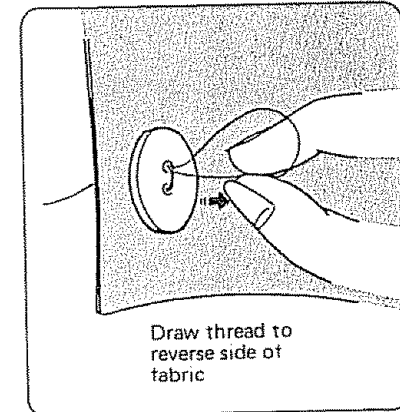
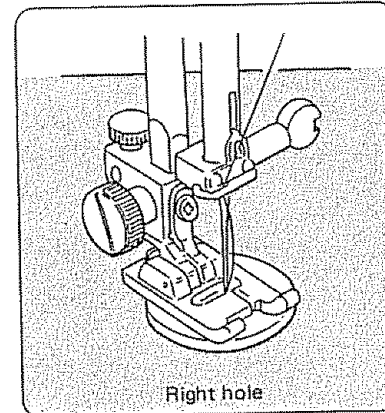
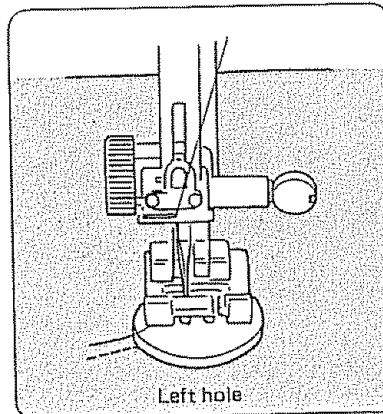
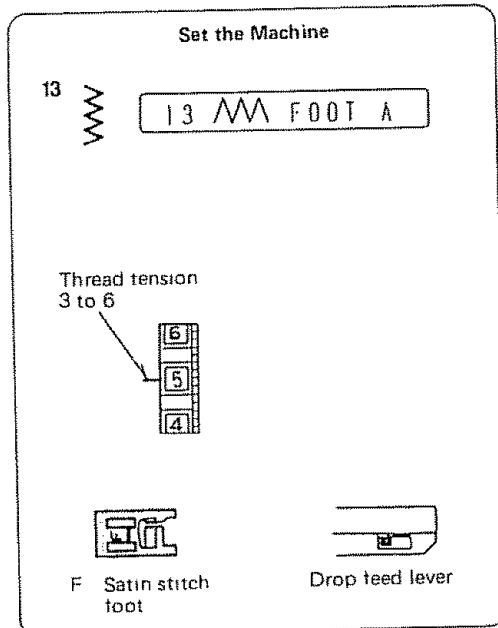
Make the turning points of each row blunt or the stitching will draw little holes at the ends. Beginners may prefer the L or M movement. Take care not to get circles.

The quick mastering of this work depends on proper guiding.

Therefore:

- Hold the hoop correctly.
- Always work from left to right.
- Move work lengthways (not sideways).

Sew a Button



Drop the feed dogs. (see p. 32).

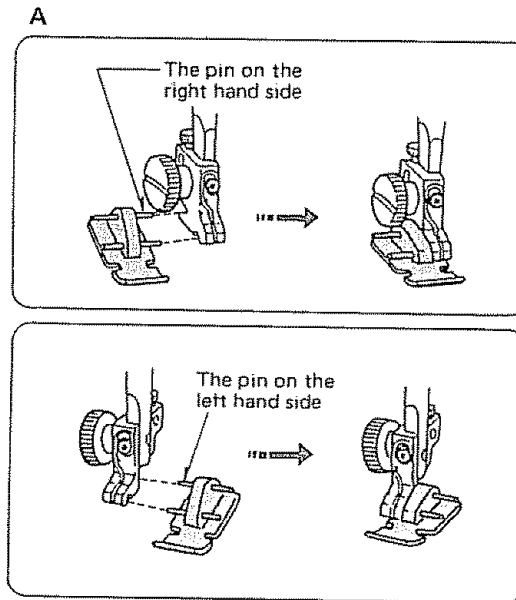
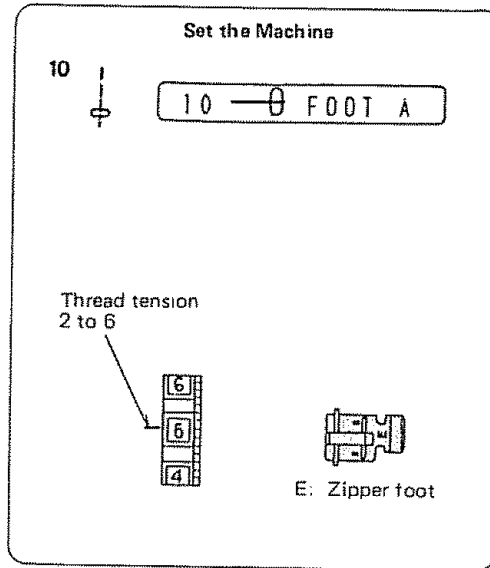
1. Match the button holes to the horizontal slot on the presser foot.
2. Lower the foot to hold the button in place.
3. Turn the hand wheel by hand until the needle point is just above the button.
4. Press the stitch width button (+ or -) so the needle will enter the left hole of the button.
5. Turn the hand wheel so the needle will enter the right hole of the button. Readjust the stitch width if necessary.
6. Stitch several times.
7. After you finish sewing, cut the thread but leave 3 to 4 inches of thread at the button.
8. Draw the thread to the reverse side of the fabric and knot the threads.

When sewing the button is completed, raise the feed dogs for normal sewing.

SECTION 4. PRACTICE COMMON STITCHING SKILLS

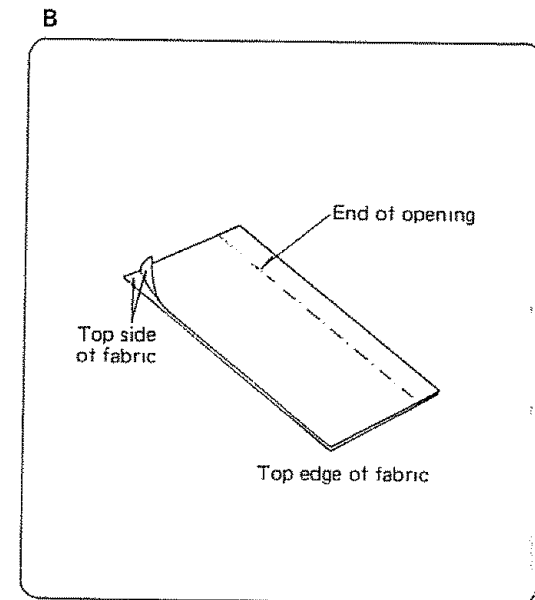
Put in a Zipper

It's as easy at A – B – C



A. Attach the zipper foot, as shown.

1. To sew on the left side of the zipper, attach the foot holder to the right pins on the zipper foot.
2. To sew on the right side of the zipper, attach the foot holder to the left pins on the zipper foot.

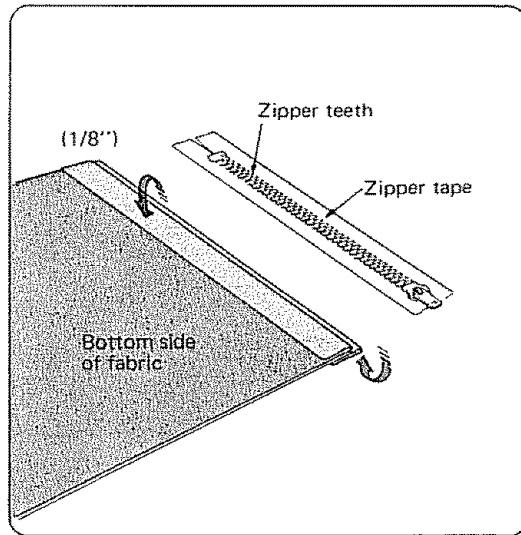


B. Prepare your fabric.

1. Put the top sides of the fabric together and sew to the end of the zipper opening. Use the reverse to lock the stitches.
2. Set the stitch length at "4.5" and sewing zipper opening.

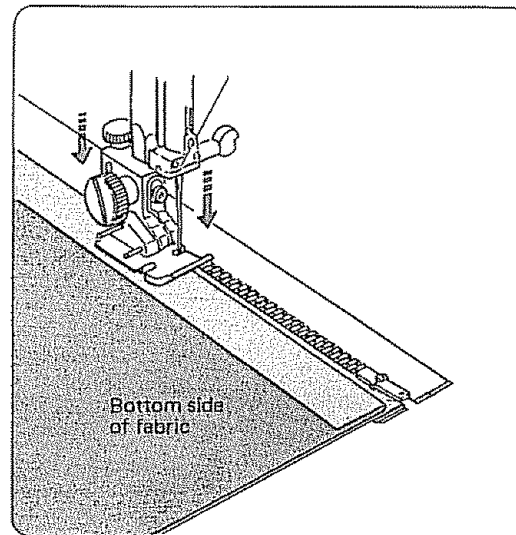
Put in a Zipper (Continued)

C

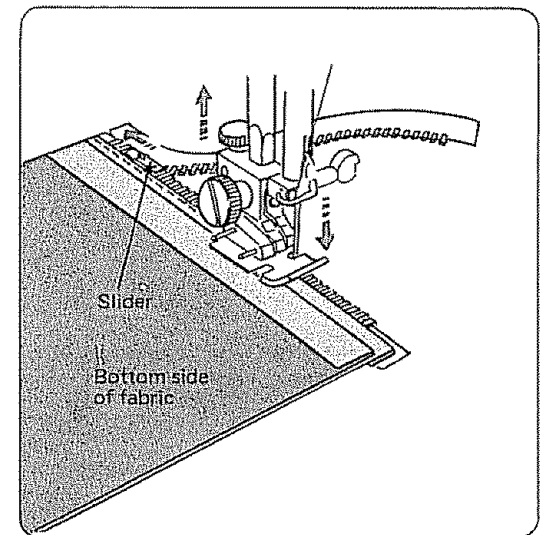


- C. Sew in the zipper.
1. Fold back the left seam allowance as shown.
 2. Turn under the right seam allowance to form a 1/8" fold.
 3. Place the zipper teeth next to the 1/8" fold and pin in place.

NOTE: Be sure the top of the zipper (the slider) is at the top of the garment.

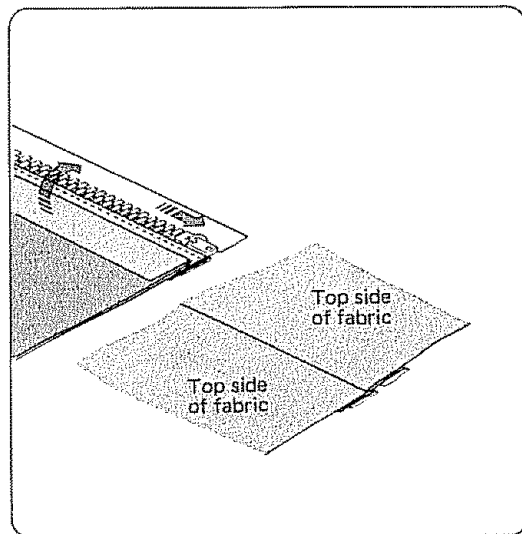


4. Attach the foot holder to the right pins on the zipper foot.
5. Lower the zipper foot on the top side at the bottom of the zipper so that the needle pierces the fold and the zipper tape.
6. Sew through the fold and the zipper tape to the point where the slider begins.
7. Lower the needle to hold the fabric and raise the presser foot.

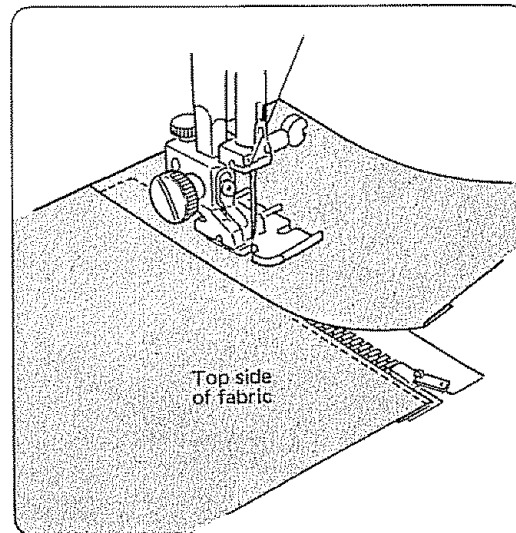


8. Open the zipper.
9. Lower the presser foot and stitch the rest of the seam.

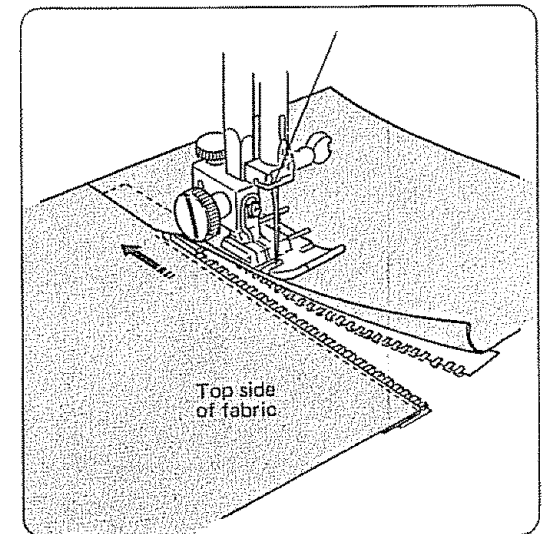
SECTION 4. PRACTICE COMMON STITCHING SKILLS



10. Close the zipper and turn the fabric top side up. Spread flat.



11. Remove the zipper foot and attach the foot holder to the left pins on the zipper foot.
12. Stitch across and below the bottom of the zipper.
13. Turn the corner and continue to guide the foot along the zipper teeth, as shown. Stitch through the fabric and the zipper tape.



14. Stop about two inches from the top of the zipper.
15. Lower the needle into the fabric and raise the presser foot.
16. Remove the basting stitches and open the zipper.
17. Lower the foot and stitch the rest of the seam. Make sure the fold is even.





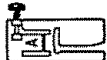
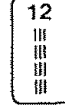
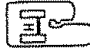
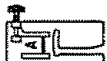
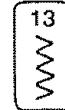


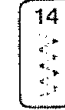

Chart of Sewing Functions

Now that you are familiar with your machine and ready to sew, what are you going to sew? The following chart tells you (in alphabetical order) what sewing functions this machine performs and directs you to the proper page for detailed instructions. In many cases, you also have a choice of stitches.



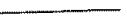
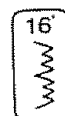


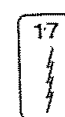


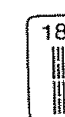
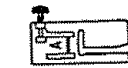


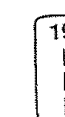


FUNCTION	STITCH PATTERN(S)	Ref. Page	FUNCTION	STITCH PATTERN(S)	Ref. Page
APPLIQUE	30, 31	43, 76	GATHER	10	40, 52
BARTACK	13, 14	40, 60	HEMS	15, 16, 20, 27, 28	41~43, 61, 62, 74
BASTE	10, 19	33, 40, 41	KNITS, STRETCH FABRIC	See all Stitches marked "S"	40~45, 53, 55~56 61~63, 73, 75~80, 84~85
BATHING SUIT, SEW	20	42, 62	MEND	10, 13, 14, 29	34, 40, 57, 64~65
BLIND HEM	16, 28	41, 43, 73	PINTUCK	10	40, 50
BUTTON, SEW	13	35, 40	QUILT	10	40, 51
BUTTONHOLE		46, 66~71	REINFORCE SEAMS	14, 17, 25, 26, 33, 35	40~42, 44, 55, 60, 77~79
BARTACK			SHELL TUCKS	28	43, 74
ROUNDED			SMOCK	23, 24, 36, 37, 41	44, 84
KEYHOLE			STRAIGHT SEAM	10, 11	40, 47~52, 54
CROSS STITCH	34	44, 83	STRETCH STITCH	12 and all Stitches marked "S"	40~45, 53, 55~56, 61~63, 73, 75~80, 84~85
CUT-OUT WORK	30, 31	43, 76	TOPSTITCH	10	40, 48
DARN	10, 13, 14, 29	34, 40, 43, 64, 65	SADDLE STITCH	18	41, 56
EDGE A GARMENT/PROJECT	15, 20, 21, 27, 28, 30, 31	41~43, 61~62, 74, 75~76	OUTLINE STITCH	17	41, 55
DECORATE (WITH STITCHES)	23~26, 28, 36, 37, 41~54	42~45, 74, 77, 80, 81	TRIMS, SEW	20~22	42, 62, 75
ELASTIC, APPLY	25, 33, 35	42, 44, 77, 79	TWIN NEEDLE STITCH	21, 22, 24, 25, 30, 36, 40, 41	42, 80
EMBROIDER	10, 13, 34, 38, 55, 56	40, 44~45, 58, 83, 85~86	ZIPPER	10	36~38, 40
FAGOTING (create open work)	25, 26, 33	42, 44, 78			
FINISH RAW EDGE	13~16, 20, 28	40~43, 59~62, 74			

SECTION 5. LEARN THE STITCHES

Stitch Pattern Chart



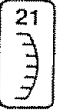
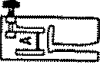

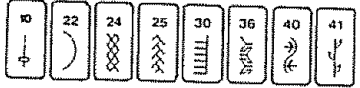
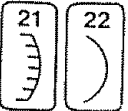

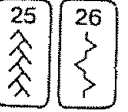

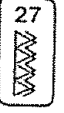

Stitch Pattern	No.	Foot	Other Attach.	Needle	Thread Tension	Adjusting Lever	Uses	Refer to Page
STRAIGHT 	10	Straight (H)  Zigzag (A) 	Quilter Zipper foot Blind hem stitch foot Satin stitch foot	Check Chart on p. <u>17</u>	2 ~ 6	3	Regular seams, pintucking, quilting, zippers, topstitching, darning, mending, basting, gathering, etc.	34 36 ~ 38 47 ~ 52
LOCK-A-MATIC SEAM 	11	Zigzag (A) 		Check Chart on p. <u>17</u>	2 ~ 6	3	For fastening and securing at the beginning and the end of a seam. (Press the Reverse Button at end of seam.)	54
STRAIGHT STRETCH 	12	Straight (H)  Zigzag (A) 		Check Chart on p. <u>17</u>	2 ~ 6	3	Use on knits and other stretch fabrics good for topstitching.	53
ZIGZAG (regular) 	13	Zigzag (A)  Overedge (C) 	Satin stitch foot	Check Chart on p. <u>17</u>	3 ~ 8	3	Mend, darn, finish edges, apply trims, embroider, gather, buttons, satin stitch, monogram decorative stitches.	35 57 ~ 59
MENDING 	14	Zigzag (A) 		Check Chart on p. <u>17</u>	3 ~ 6	3	Use for sewing patches, repairing straight or corner tears, finishing seams on terrycloth sewing bar tacks for belt loops and drapery pleats (stronger than zigzag).	60

SECTION 5. LEARN THE STITCHES






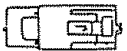
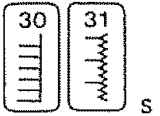

Stitch Pattern	No.	Foot	Other Attach.	Needle	Thread Tension	Adjusting Lever	Uses	Refer to Page
OVEREDGE SEAM  s	15	Overedge (C) 		Check Chart on p. 17	3 ~ 7	3	Use for overcasting, for knits and woven fabrics needing extra strength, for narrow seams on knits or heavy weight woven fabrics.	61
BLIND HEM STITCH  s	16	Blind Hem Stitch (G) 		Check Chart on p. 17	2 ~ 6	3	Use for stretch fabrics, more elastic.	72 ~ 73
OUTLINE STRETCH  s	17	Zigzag (A) 		Blue (11)	3 ~ 6	3	Use in place of straight stitch on knits, bias seams, tricot, chiffon for a flat, non-puckering seam.	55
SADDLE STITCH  s	18	Zigzag (A)  Blind Hem Stitch (G) 		Check Chart on p. 17	2 ~ 6	3	Topstitching suits, blazers, jumpers, denim outfits.	56
BASTING 	19	Zigzag (A) 		Blue (11)	0 ~ 2.5	0	Basting, tailor tacks, tack quilt layers.	33

SECTION 5. LEARN THE STITCHES

Stitch Pattern Chart (Continued)

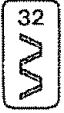
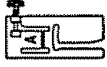



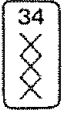

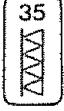
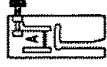


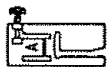


Stitch Pattern	No.	Foot	Other Attach.	Needle	Thread Tension	Adjusting Lever	Uses	Refer to Page
KNIT STITCH  S	20	Zigzag (A) 	—	Blue (11)	3 ~ 6	3	Use for swimwear and stretch velour.	62
TWIN NEEDLE STITCHES  S	21 22 24 25 30 36 40 41	Zigzag (A)  or Satin (F) 	Twin Needle		3 ~ 7	3	Use for sewing parallel rows of straight or decorative stitches adding an exquisite touch to table linen and clothing. 	80
SCALLOP STITCH  S	21 22	Zigzag (A) 	—	Check Chart on p. 17	3 ~ 6	3	Use for scalloped edges on collars, pockets or placemats. Create a delicate edge on thin fabrics. Decorate edges on hemlines or sleeves.	75
FEATHER STITCH  S	25 26	Zigzag (A) 	—	Check Chart on p. 17	2 ~ 6	3	Hand-quilting stitch, used to reinforce stretch and woven fabrics, use on spandex undergarments and to decoratively hem elastic fabric. Use for patchwork quilting.	77
DOUBLE EDGE ZIGZAG  S	27	Overedge (C) 	—	Check Chart on p. 17	3 ~ 7	3	Use for fabrics that tend to fray extensively such as linens and gaberdines.	62

SECTION 5. LEARN THE STITCHES

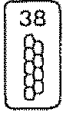

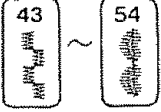

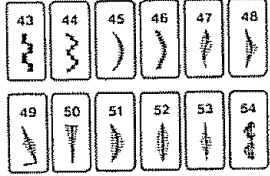

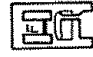

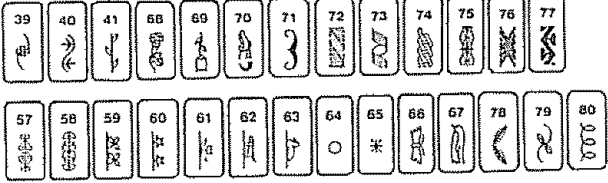
Stitch Pattern	No.	Foot	Other Attach.	Needle	Thread Tension	Adjusting Lever	Uses	Refer to Page
BLIND HEM STITCH 	28	Blind Hem Stitch (G) 	_____	Check Chart on p. <u>17</u>	2 ~ 6	3	Use for woven fabrics: blind hem and overcasting.	73
SHELL STITCH 	28	Satin (F) 	_____	Check Chart on p. <u>17</u>	6 ~ 9	3	Finish hems, sleeve and neck openings. Use on nylon tricot and other lingerie to overcast and seam. Do shell tucking on blouses and lingerie.	74
AUTOMATIC DARNING 	29	Sliding Buttonhole (J) 	_____	Check Chart on p. <u>17</u>	2 ~ 6	3	Darn rips and holes quickly and automatically.	64 ~ 65
CUT-OUT WORK APPLIQUE 	30 31	Satin (F) 	_____	Check Chart on p. <u>17</u>	2 ~ 6	2	Use on cut-out work and applique for edging the designs, also on placemats, blankets, collars, cuffs and pockets.	76

SECTION 5. LEARN THE STITCHES

Stitch Pattern Chart (Continued)


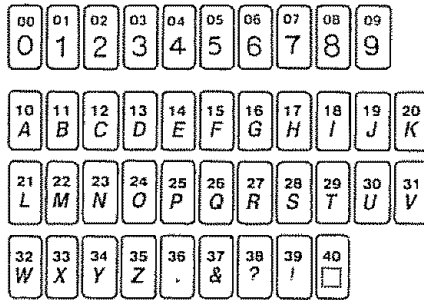



Stitch Pattern	No.	Foot	Other Attach.	Needle	Thread Tension	Adjusting Lever	Uses	Refer to Page
RICK-RACK STRETCH  S	32	Zigzag (A)  Satin (F) 	—————	Check Chart on p. 17	2 ~ 6	3	Decorate garments with one row or several.	63
ELASTIC CASING FAGOTING  S	33	Satin (F) 	Use paper behind	Check Chart on p. 17	3 ~ 8	3	Elastic Casing: Replace bias tape casings in wrists and waists; tack down elastic. Fagoting: Join two folded edges for decorative open-work appearance.	78 ~ 79
CROSS STITCHING  S	34	Satin (F) 	—————	Check Chart on p. 17	2 ~ 6	3	Use in embroidery, combine with letters and numbers for samplers.	83
ELASTIC STRETCH  S	35	Zigzag (A)  Satin (F) 	—————	Check Chart on p. 17	3 ~ 6	3	Use for applying elastic.	79
SMOCKING STITCHES  S	23 24 36 37 41	Zigzag (A)  Satin (F) 	—————	Check Chart on p. 17	2 ~ 6	3	Smocking on children's clothes, blouses, curtains, etc. 	84

SECTION 5. LEARN THE STITCHES

Stitch Pattern	No.	Foot	Other Attach.	Needle	Thread Tension	Adjusting Lever	Uses	Refer to Page
SAND STITCHING  S	38	Satin (F) 	_____	Check Chart on p. 17	2 ~ 6	1 or 2	Fill in designs already outlined with satin or other embroidery stitch.	85
DECORATIVE GEOMETRICS 	43~54	Satin (F) 	_____	Check Chart on p. 17	2 ~ 8	3	Decorate garments with one row or several, one stitch or a combination. 	81
SHADING STITCH 	55~56	Satin (F) 	_____	Check Chart on p. 17	2 ~ 8	1 or 2	Use for free hand machine embroidery and attractive shading stitch applique.	86
STRETCH STITCH DECORATIVE	39~41, 57~67	Satin (F) 	_____	Check Chart on p. 17	2 ~ 6	3	Decorate with flower or leaf designs. Use in combination (programmable) or singly. 	82, 87 ~ 89

SECTION 5. LEARN THE STITCHES

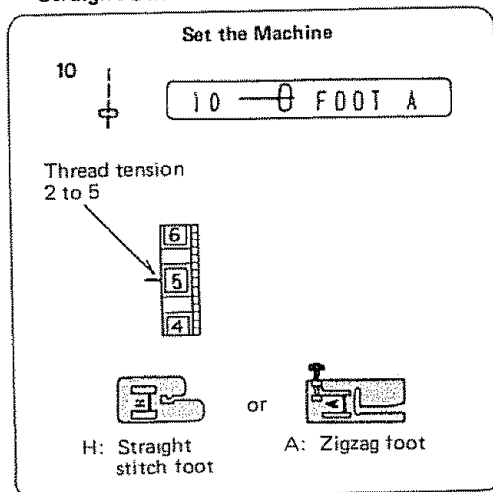
Stitch Pattern Chart (Continued)

Stitch Pattern	No.	Foot	Other Attach.	Needle	Thread Tension	Adjusting Lever	Uses	Refer to Page
MONOGRAM Numbers, Letters, Period, Space	00~ 40	Satin (F) 	—————	Check Chart on p. <u>17</u>	2 ~ 6	3	Numbers and letters or sentences may be programmed in sequence for monogramming. 	91 ~ 93
BUTTONHOLE Bartack Rounded Keyhole	 1 2 3	Sliding Buttonhole (J)  Automatic buttonhole (N) 	—————	Check Chart on p. <u>17</u>	2 ~ 6	3	Buttonholes in three shapes: also corded buttonholes. 	66 ~ 71

Straight Stitches 10 ~ 12, 17 and 18

When you turn on your machine, it is automatically set to sew a straight stitch (10).

- Straight Stitch

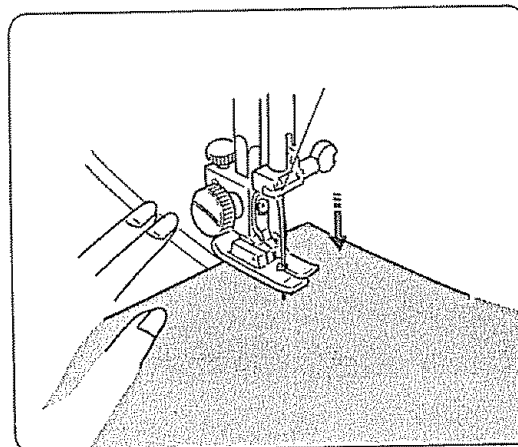


The Stitch and Its Uses

You can use your basic straight stitch in many ways besides just sewing a straight seam. Three common uses for the straight stitch are:

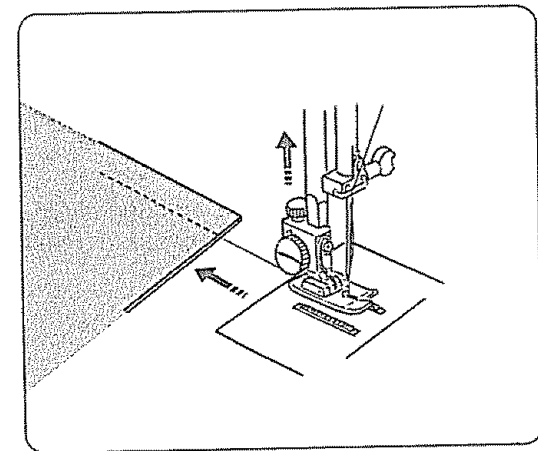
- Pintucking
- Quilting
- Topstitching

All are discussed in this section.



To sew a straight stitch:

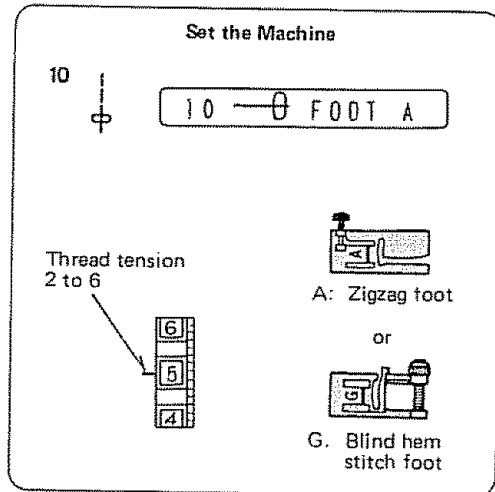
1. Raise the presser foot.
2. Raise the needle to its highest position.
3. Place the edge of the fabric next to a stitching guide line on the needle plate (5/8" is most common).
4. Draw the threads towards the back and lower the presser foot.
5. Press the foot control.
6. Hold the fabric loosely and gently guide it along the guide line, so that it feeds naturally.
Do not force the fabric or try to pull it tight.



7. At the end of the seam, you may want to reverse to lock the stitch.
8. When you stop sewing, the needle will automatically rise to its highest position.
9. Raise the presser foot and remove the fabric.
10. Cut the threads.

SECTION 5. LEARN THE STITCHES

• Topstitching

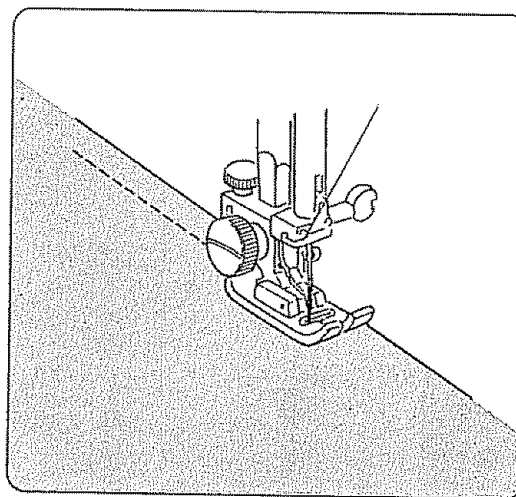


The Stitch and Its Uses

Topstitching emphasizes the lines of your garment and keeps seams and edges flat and crisp.

Accent suits or blouses with one or two rows of topstitching around the outer edges of cuffs, lapels or collars.

Use the Auto-Lock button to secure your topstitching and eliminate unsightly backtacking.



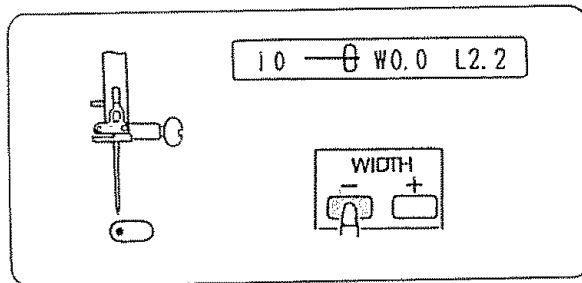
Here's How

1. Lower the presser foot.
2. Keep the edge of the fabric next to the right edge of Foot A.
3. Evenly guide the fabric along this edge to produce an even row of topstitching 3/8" from the edge.

NOTE: You can easily adjust your needle from left to right for topstitching without moving your fabric from under the presser foot. See the next page for instructions.

● Position the Needle for Topstitching

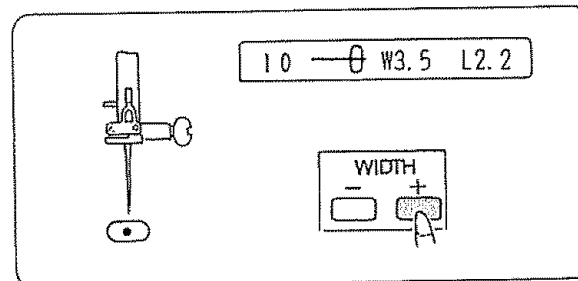
The needle can be positioned to the left, center and right.



To position the needle to the left:

You can move the needle to any position desired by pressing stitch width control button.

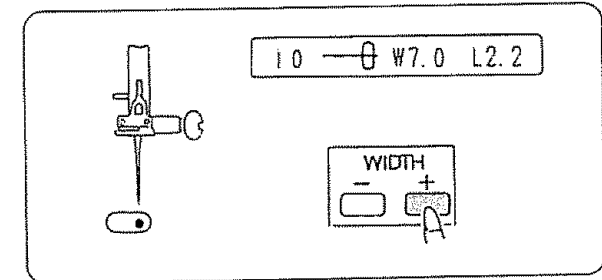
W 0.0 on screen is for left needle position.



To position the needle at the center:

You can move the needle to any position desired by pressing stitch width control button.

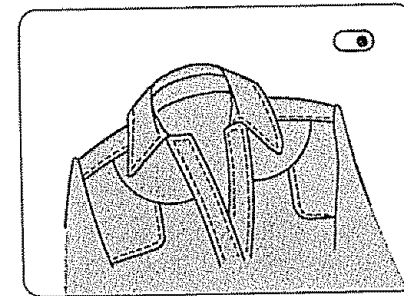
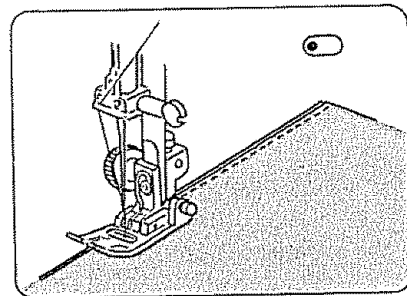
W 3.5 on screen is for center needle position.



To position the needle to the right:

You can move the needle to any position desired by pressing stitch width control button.

W 7.0 on screen is for right needle position.



NOTE: Left or right needle position is recommended for stitching edge of the fabric.

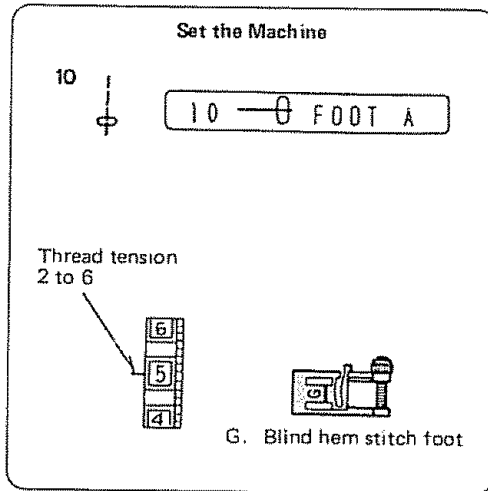
Besides the normal straight stitch method of topstitching, this machine does other types of topstitching that are better for knits or produce a more elaborate decorative effect.

Always use zigzag foot A for left and right needle position.

Do not use straight stitch foot H.

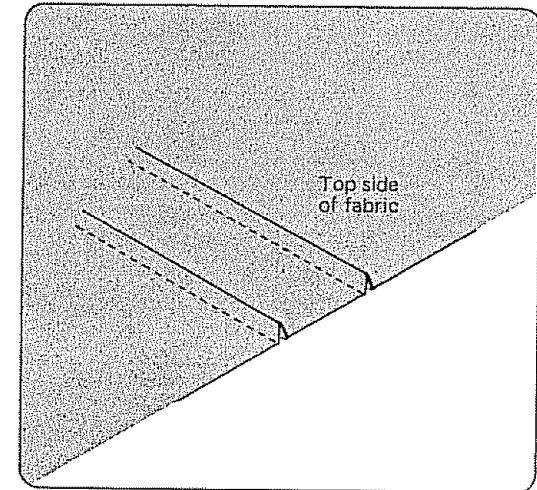
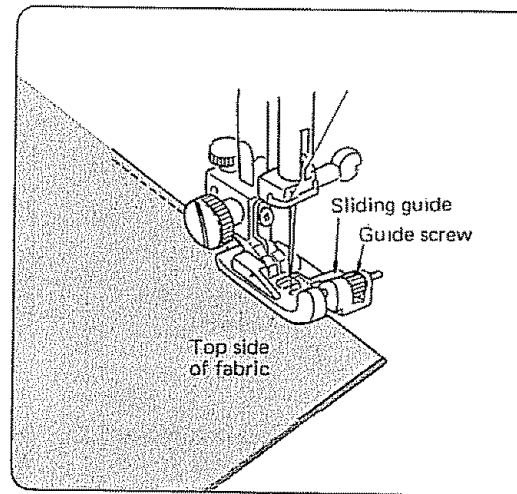
SECTION 5. LEARN THE STITCHES

● Pintucking



The Stitch and Its Uses

Pintucks are narrow tucks spaced close together to add design interest on such items as blouses and pillowcases. One pintuck can form a permanent front crease on knit pants.

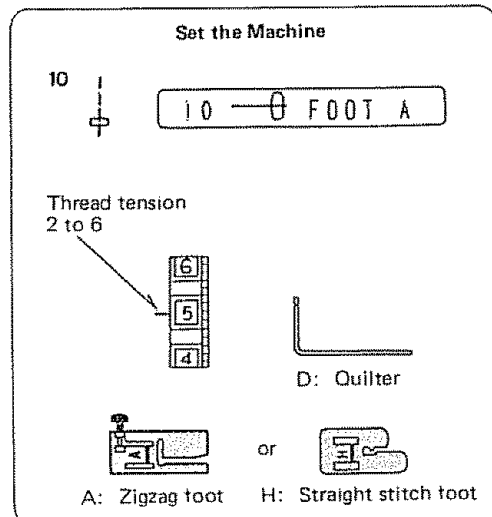


Here's How

1. Attach the blind hem stitch foot.
2. Place the folded fabric under the presser foot.
3. Position the needle $1/16''$ inside from the folded edge and lower the presser foot.
4. Adjust the sliding guide on the blind hem foot to the folded edge by turning the guide screw, as shown.
5. Feed the folded edge smoothly against the sliding guide.

NOTE: If the fabric tends to pucker, hold the material slightly taut while sewing. Also, decrease the upper tension slightly.

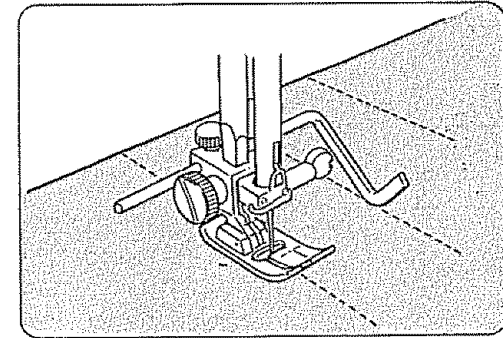
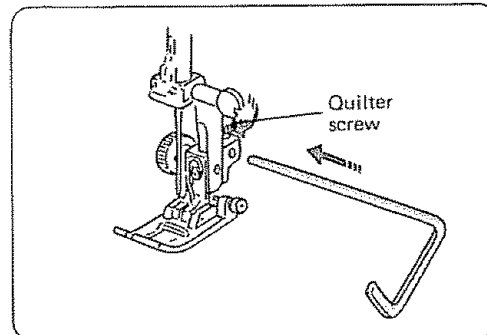
• Quilting



The Stitch and Its Uses

Quilting is stitching two layers of fabric together with batting in between to add dimension and warmth.

You can use quilting on entire garments or parts of garments, such as yokes, pockets, cuffs and collars. It is also popular for table fashions. In addition to straight stitch quilting, you can quilt with decorative stitches or stitch pattern combinations.



Here's How

To do quilting successfully, follow these simple steps:

1. Loosen the quilter screw on the back of the presser foot as shown.
2. Slide the quilting guide (D) into the opening under the screw to the width between lines of quilting stitches you desire.
3. Tighten the screw.
4. Sew the first row of stitching.
5. Sew other rows, guiding the quilting guide over the previous row of stitching.

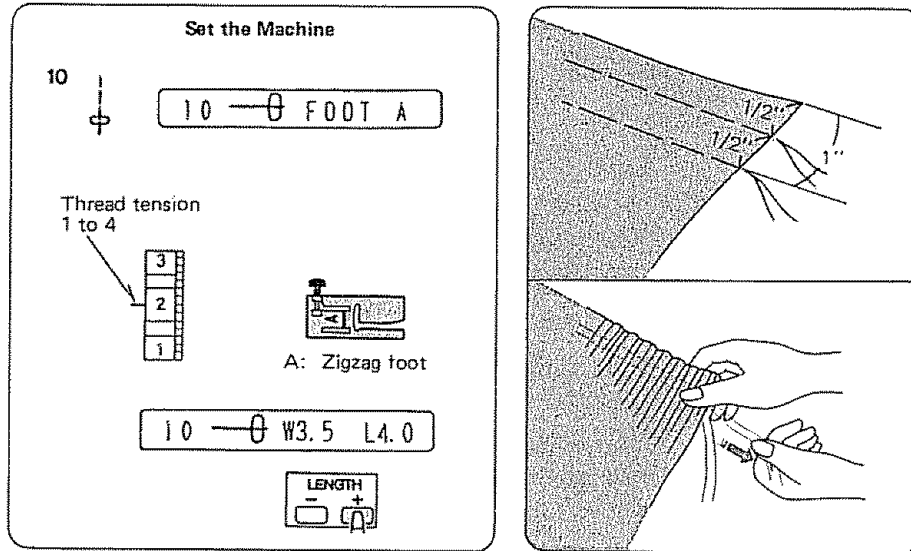
NOTE: When you are quilting large areas, tack the layers together with the basting stitch. Then quilt from the center out.

Another quilting variation:

Instead of quilting with rows of straight stitches, you can bartack your quilt at regular intervals. Set up the machine as if you were going to sew a button (see p. 35). Position your fabric and bartack.

SECTION 5. LEARN THE STITCHES

● Gathering



The Stitch and Its Uses

Use this stitch to gather trim skirts, sleeves at the top, smocking or any time you want more fullness. Use two rows of stitches.

Here's How (for medium weight fabrics and tight, firm gathers)

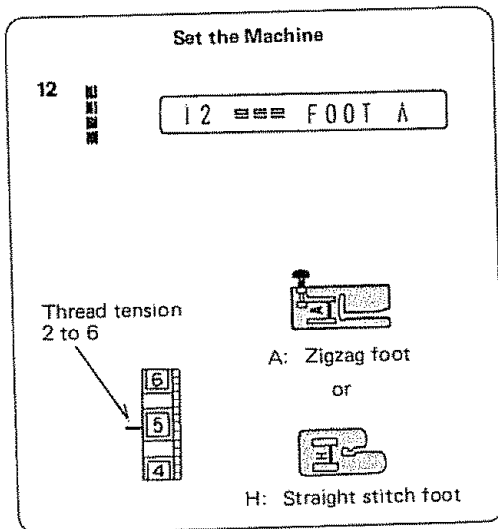
1. Set the stitch length to "4.0".
2. Loosen the needle thread tension to "2" or as desired.

NOTE: Steps 3 and 4 are for 5/8" seam allowances. For other widths, adjust your fabric accordingly.

3. Sew the first row of stitches with the right edge of Foot A on the edge of the fabric.
4. Sew the second row with the right edge of Foot A following the first row of stitches.
5. Using both hands, pull the bobbin threads from each end of the fabric until you have the gathers you want.
6. Knot the threads at each end even out the gathers.

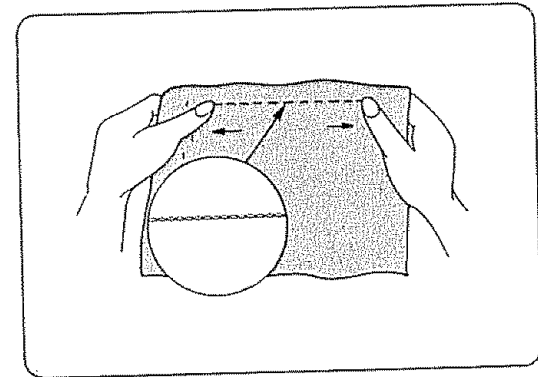
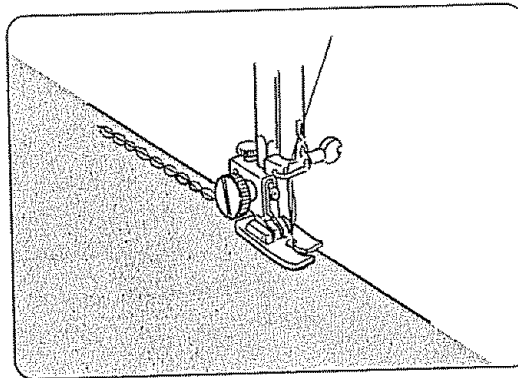
Here's How (for light weight fabrics, ruffles and flounces)

1. Set your stitch length at "4.5".
2. Secure your gathering rows at the beginning.
3. Stitch two rows, as in steps 3 and 4 for medium weight fabrics.
4. Do not lock the threads at the end of your stitching rows.
5. Pull the bobbin threads to produce the fullness you desire.
6. Knot the threads and even out the gathers.

Straight Stretch 12The Stitch and Its Uses

This stitch is the stretch variation of the straight stitch, especially developed for knits and stretch fabrics.

This stitch can also be used for topstitching.

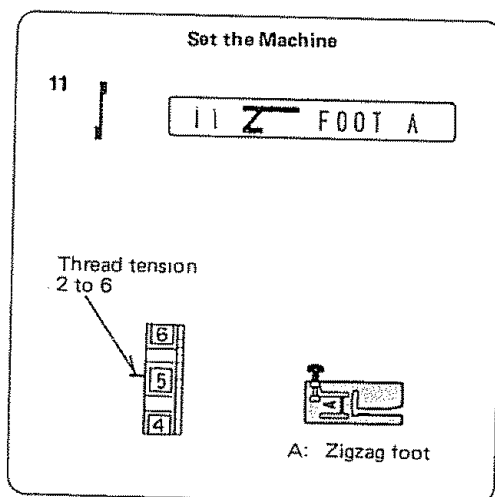
**A NOTE ON STRETCH STITCHING**

Stretch stitching was developed to be used on stretch fabrics and knits. It can be used on other fabrics as well. It works well on curved seams and on any garments that will receive a great deal of strain (ie. children's clothes).

The stretch stitch does not actually stretch as it is being sewn, but is stitched in a forward and back motion (sometimes called a "reverse-action" stitch), so that it will give instead of break when the fabric stretches.

SECTION 5. LEARN THE STITCHES

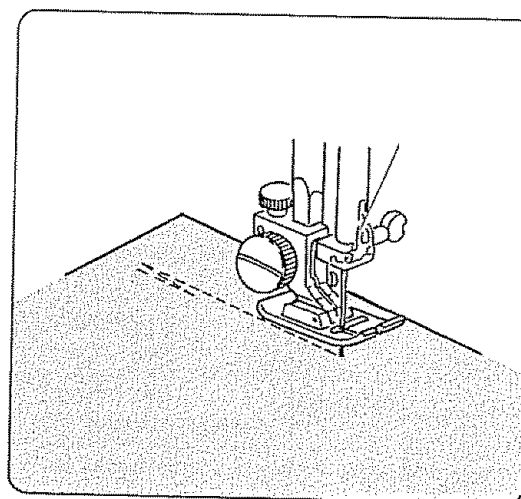
Lock-a-Matic Seam 11



For general sewing, the lock-a-matic stitch is the fastest way to sew and secure a seam.

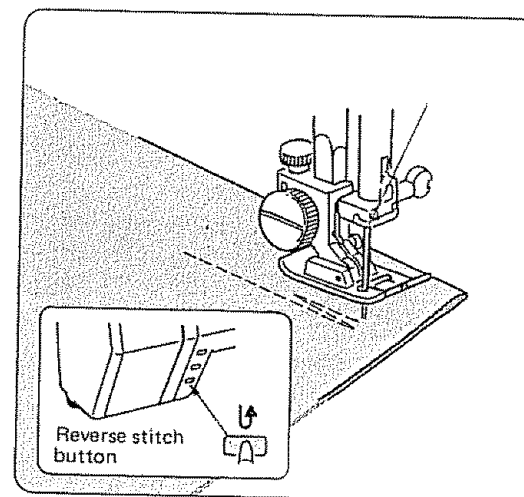
It is programmed to automatically sew reverse stitches at the beginning and when the reverse stitch button is pressed at the end of a seam.

Seams are sewn quickly and securely.



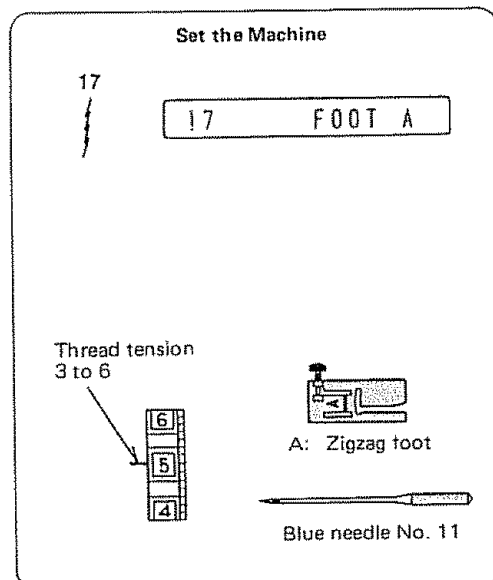
Lower the needle close to the top edge of the fabric.

The machine will sew four stitches forward, four stitches in reverse then continue sewing forward.



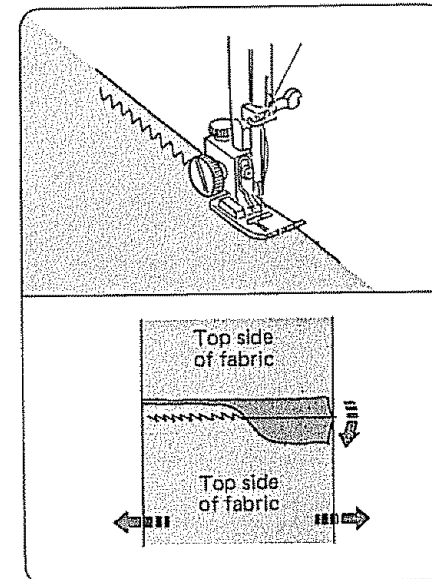
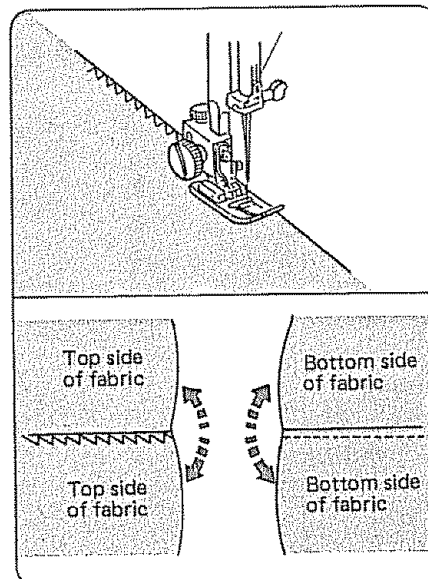
When you reach the lower edge of the fabric, touch the reverse button.

The machine will sew four reverse stitches, four forward stitches, then stop sewing.

Outline Stretch **17**The Stitch and Its Uses

This stitch pattern, a variation of the straight stitch, is a narrow stretch stitch designed to eliminate puckering on knit fabrics and bias seams.

On tricot and filmy chiffons, it can be used to seam and overcast at the same time to produce a narrow, almost invisible seam or seam finish.

Here's How:

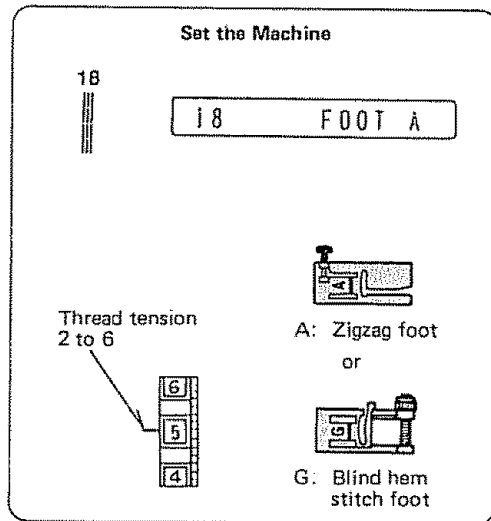
1. Place your fabric edge on the 5/8" seam line in order to produce a 5/8" seam.
2. Sew as you would a straight stitch.

Helpful Hints (for lightweight fabrics)

1. Set the pressure adjusting lever at "1" or "2".
2. To seam and overcast tricot:
 - a. Set the stitch width at "3".
 - b. Sew with the right hand stitch falling off the fabric edge.

SECTION 5. LEARN THE STITCHES

Saddle Stitch 18

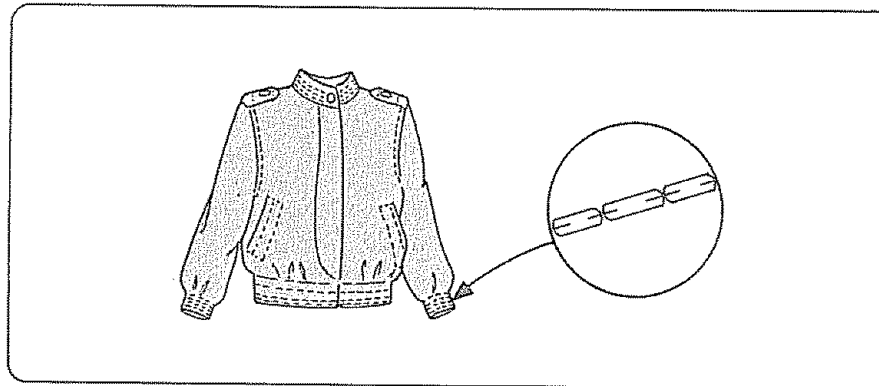


The Stitch and Its Uses

The saddle stitch is formed with one stitch forward, two stitches backward, and a fourth stitch forward.

You can achieve a lovely hand-worked look when topstitching suits, blazers, jumpers, and denim outfits with the saddle stitch.

NOTE: Adjust the needle position for the effect you want.



Here's How

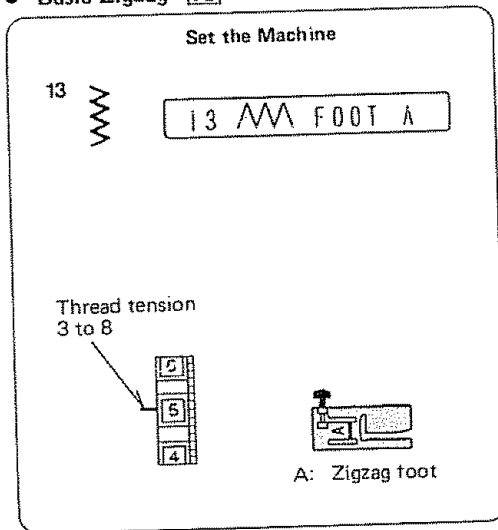
1. Sew as you would for topstitching.
2. To turn corners:
 - a. Lower the needle into the fabric on the fourth stitch.
 - b. Raise the presser foot and turn the fabric.
 - c. Lower the presser foot and continue to sew.

Helpful Hint

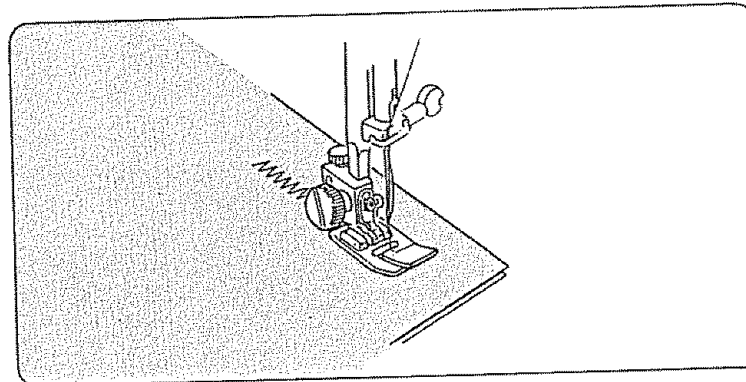
The Blind hem stitch foot is good to use when topstitching near the edge of the garment. Just set the edge guide with the guide screw.

Zigzag Stitches 13 ~ 15, 20, 27 and 32

• Basic Zigzag 13

The Stitch and Its Uses

The zigzag stitch is one of the most common and most versatile stitches on your machine. It can be a utility stitch for sewing buttons, buttonholes, hemming, overcasting mending and darning. It can also be used to decorate with trims, appliques and cut-out work or as a decorative stitch.

Here's How

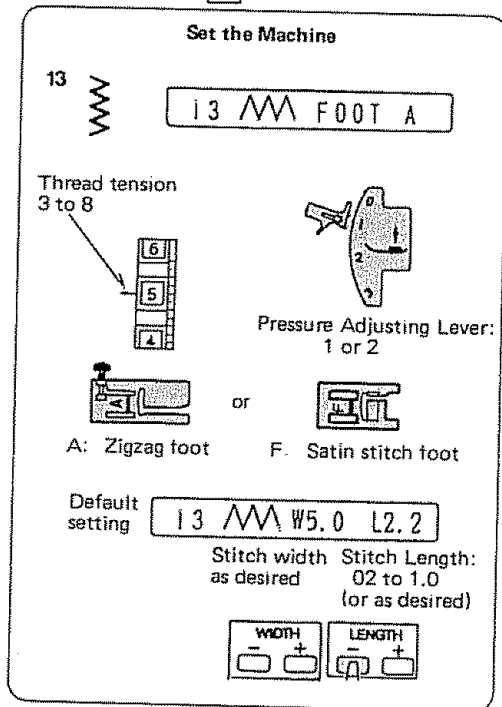
The many ways to sew a zigzag stitch are as varied as the stitch patterns on this machine or as the width and length settings allow. Consult the specific variations for detailed directions.

The zigzag stitch as a utility stitch has several variations, discussed in this section:

- Satin Stitch 13
- Overcasting Stitch 13
- Multiple Zigzag 14
- Overedge Seam 15
- Knit Stitch 20

SECTION 5. LEARN THE STITCHES

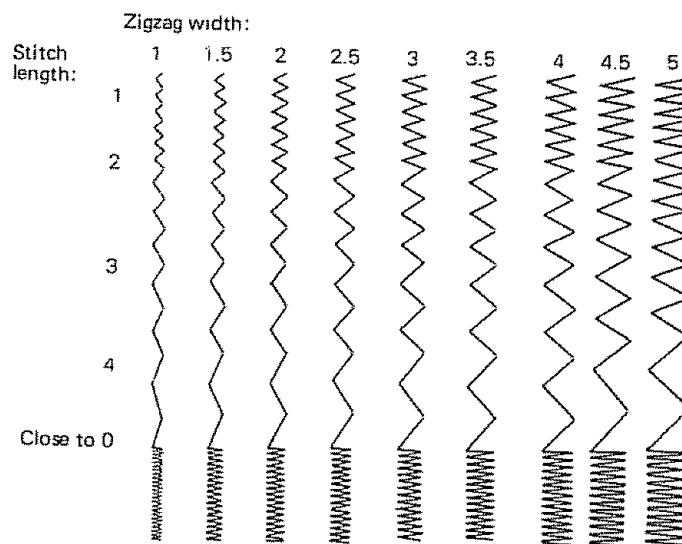
• Satin Stitch 13



The Stitch and Its Uses

The Satin stitch is a versatile and often used decorative stitch, but it can also be used to overcast a raw edge (for example, blankets, linens, tablecloths and napkins).

The Satin stitch is especially attractive in applique and is the basis for the geometric stitches 42 to 54 on this machine.

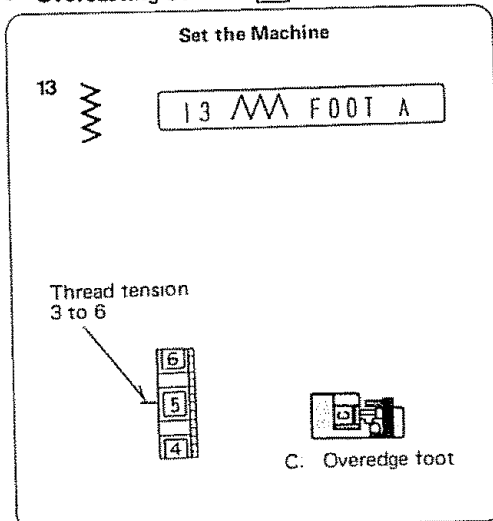


Here's How

Once your machine is set up to stitch, you may want to experiment on a scrap of the fabric you are planning to use. Too tight a satin stitch may pucker some light weight fabrics.

Otherwise, stitch as usual.

• Overcasting Stitch 13

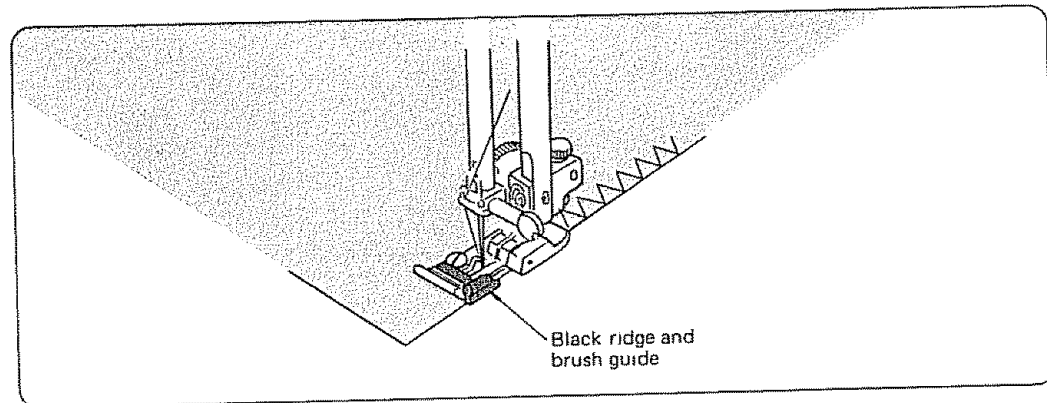


The Stitch and Its Uses

This zigzag variation is very useful in garment construction and in finishing raw edges of any sewing project.

Here's How

1. The black ridge and brush and the guide wires on the overedge foot keep the edge neat and the fabric straight.
2. Place your fabric so that the double guide wires come to the edge.



NOTE: These wires keep light weight fabric from rolling into a ridge and hold medium weight fabric flat.

The machine will stitch over these wires. The black ridge and brush will keep the loose threads in so that the needle can stitch over them.

3. As you sew, be sure your fabric edge pushes against the black ridge and brush guide.
4. When you stop sewing, remove the fabric by drawing it to the back and out. The fabric will catch on the wire guides if you pull it toward you.

Helpful Hints

Start overcasting about 1/8" inside the raw corner of your seam. If you start right at the edge, the fabric will bunch up and the stitches will become tangled.

For overcasting folded fabric:

You can also fold the raw edge of the seam and overcast.

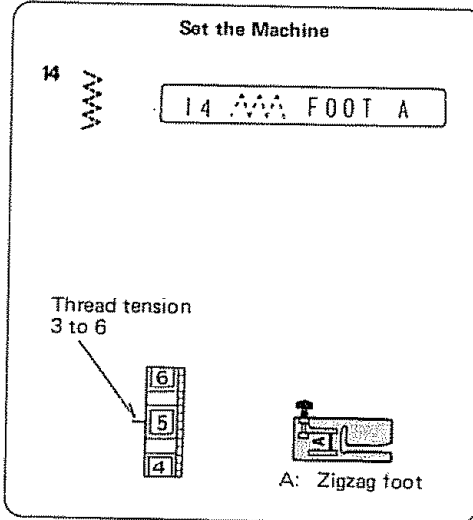
1. Start the fold by sliding it under the needle and lowering the needle.

NOTE: Be sure your needle is in the left position.

2. Lower the presser foot so that both guide wires are on the fabric.
3. Fold the fabric to the left 1/8" as you feed it into the machine and stitch.

SECTION 5. LEARN THE STITCHES

• Mending 14

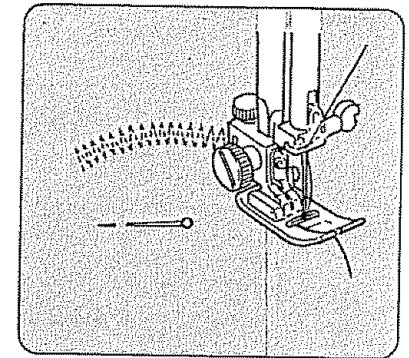
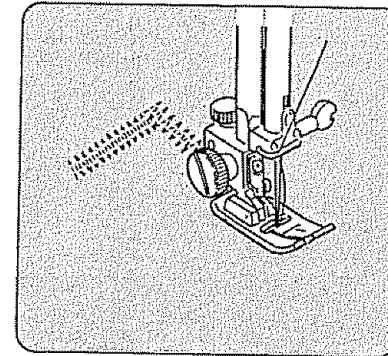
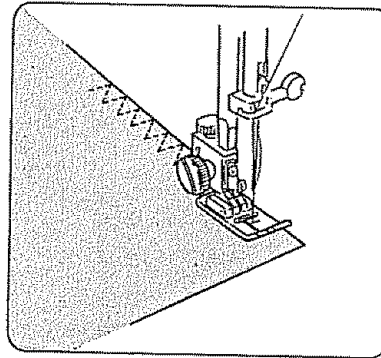


The Stitch and Its Uses

The mending or multiple zigzag is a combination zigzag and straight stitch. Use the mending everywhere you would use the basic zigzag stitch. It has more strength, elasticity, and is flatter than a regular zigzag.

The mending stitch is especially useful for:

- sewing patches smoothly and securely.
- repairing straight tears.
- finishing seams on terrycloth.
- sewing bar tacks for belt loops and drapery pleats.

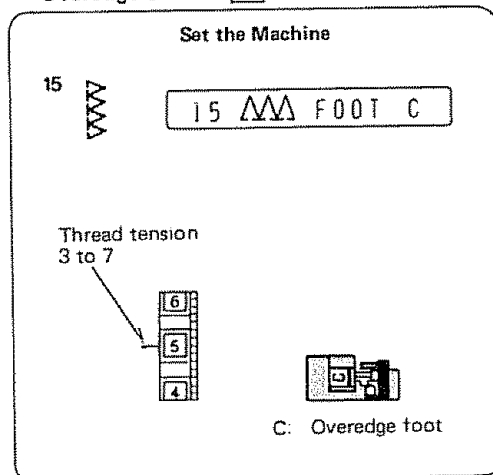


Here's How to Repair a Tear:

Straight — position the tear under the needle so that the stitching will catch both sides.

Cornered — stitch from each end to the center. Use a piece of fabric under the tear to reinforce your mending.

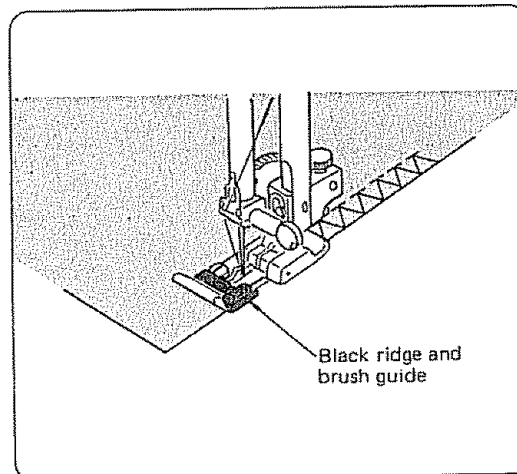
• Overedge Seam **15**



The Stitch and Its Uses

This stitch pattern combines the straight and the zigzag stitches, using the overedge foot, to stitch and overcast seams in one step. It also is a stretch stitch to provide elasticity for knits and extra strength for woven fabrics.

Use this stitch when you want a narrow seam that you do not have to press open flat. It is ideal for 1/4" seams on knits (when attaching ribbing) or on medium to heavyweight woven fabrics where you want a narrow seam.



Here's How

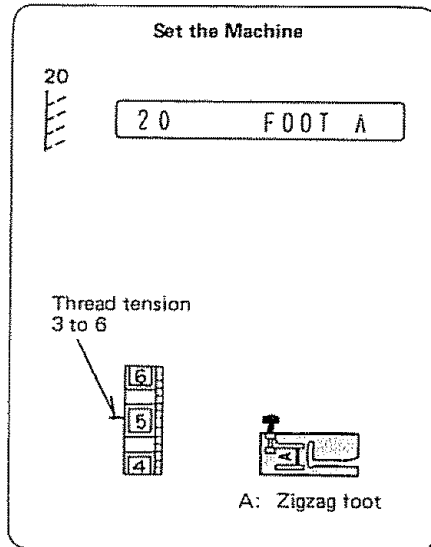
1. Place your fabric so that the raw edges fit under the wire guides and touch the black ridge and brush guide.
2. Gently guide the fabric so that the raw edges always touch the black ridge and brush guide.

NOTE: When sewing over several thickness (under arms, in crotch, etc.) raise the presser foot slightly to ease the presser foot over the hump and keep stitches from bunching.

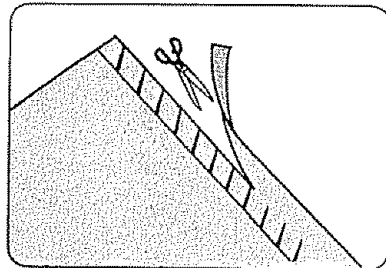
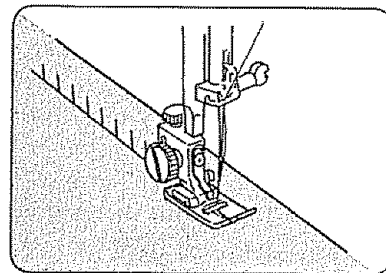
3. When you stop sewing, remove the fabric by drawing it to the back and out. The fabric or stitching will catch on the wire guides if you pull it toward you.

SECTION 5. LEARN THE STITCHES

• Knit Stitch 20



Set the pressure adjusting lever to "1", so that the knit will retain its shape as you are sewing.



The Stitch and Its Uses

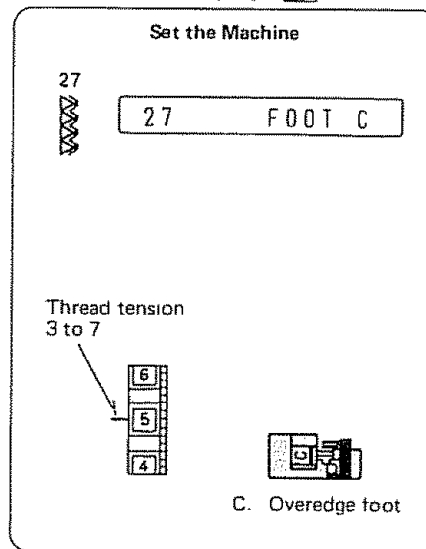
This knit stitch is ideal for sewing swimwear and stretch velour, because it provides the greatest amount of elasticity and strength.

Here's How

1. Place your fabric to allow a 5/8" seam.
2. Trim the seam allowance after sewing.

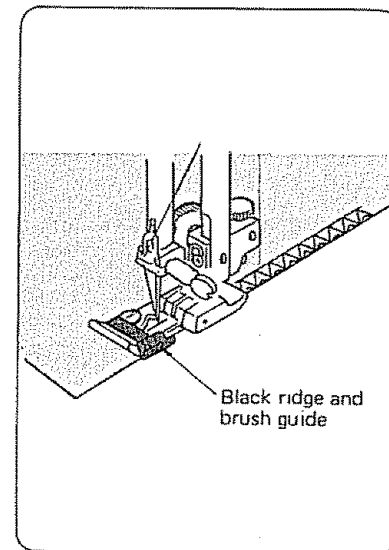
NOTE: Be careful not to cut the stitches.

• Double Edge Zigzag 27



The Stitch and Its Uses

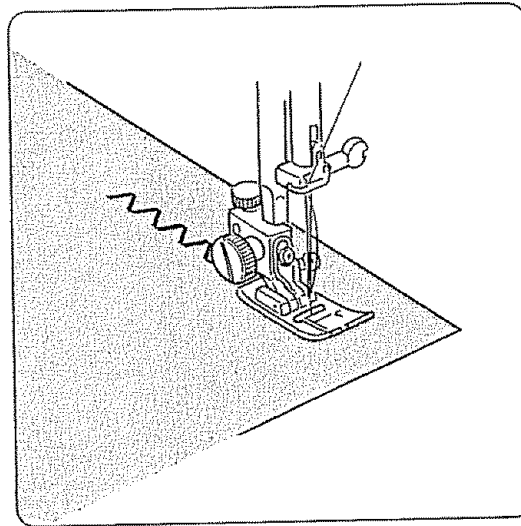
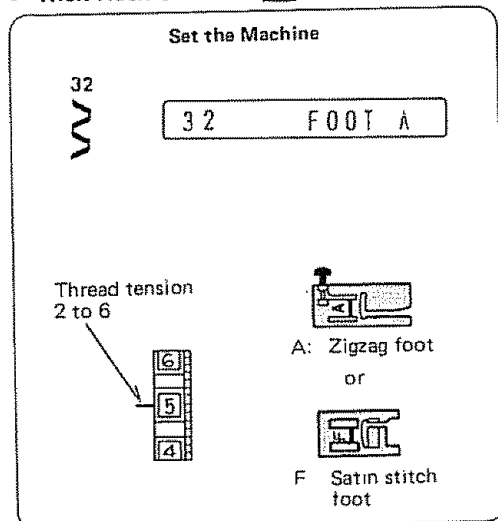
This stitch can be used for sewing fabrics that tend to fray extensively such as linens and gabardines.



Here's How

Two rows of zigzag stitches are simultaneously sewn over the edge to insure that your seams will not ravel.

• Rick-Rack Stretch **32**



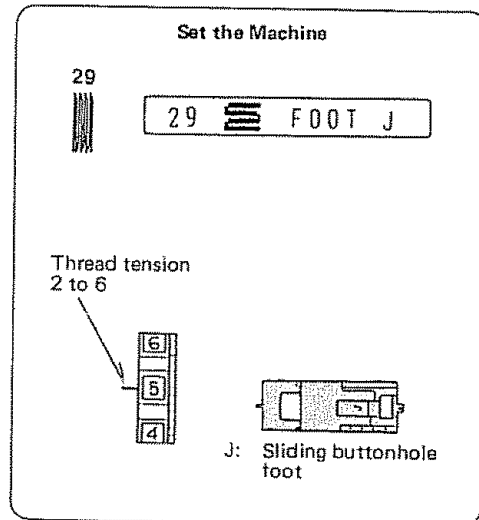
The Stitch and Its Uses

Sew on stretch fabrics in any area that you might use a zigzag stitch.

This stitch can be used as a decorative top stitch as well.

SECTION 5. LEARN THE STITCHES

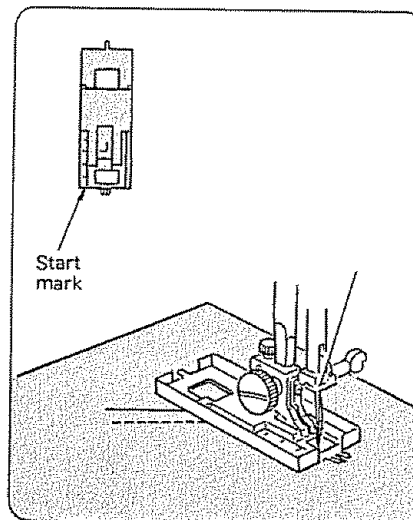
Automatic Darning 29



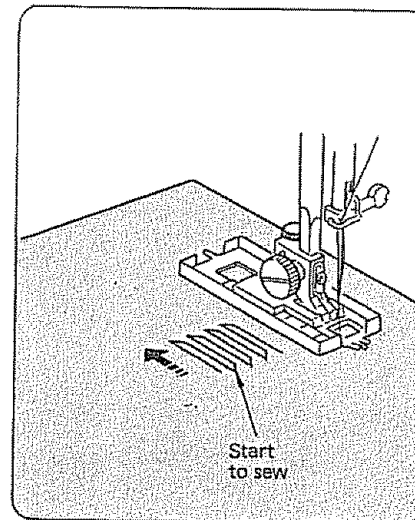
The machine automatically darns rips and holes. Large and small holes can be mended quickly and easily with this unique stitch.

Buttonhole foot J is used to hold the fabric securely while darning.

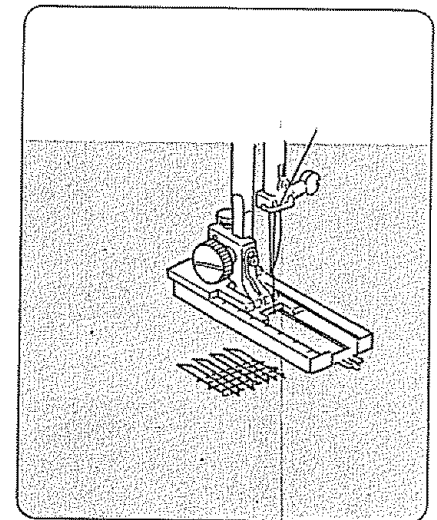
For extra support or strengthening the darn pin or baste a backing fabric such as organdy under the hole to be darned.



Push foot slide back.
Press down the foot control. The machine will lock the stitches, sew 16 rows of darning, lock the stitches and stop automatically.



Keep the foot control depressed until the machine stops sewing.

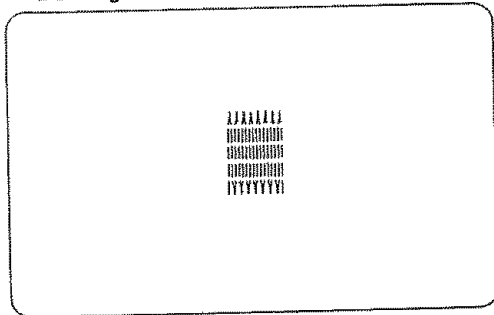


For extra strength on blue jeans or other work clothes the darn can be reinforced as shown above.

The finished darn measures 2.0 cm (4/5") long by 0.7 cm (1/4") wide.

If hole is larger, move the fabric and sew additional darning units until the hole is covered.

• Darning Small Rips



Small rips can be repaired by programming the machine to sew a shorter darn.

Begin the first row of the darn stopping the machine when you reach the bottom edge of the rip. For example, you may only need to sew 5 stitches. Press the reverse button but do not hold it. The machine will now complete the 16 rows with 5 stitches in each row and stop automatically.

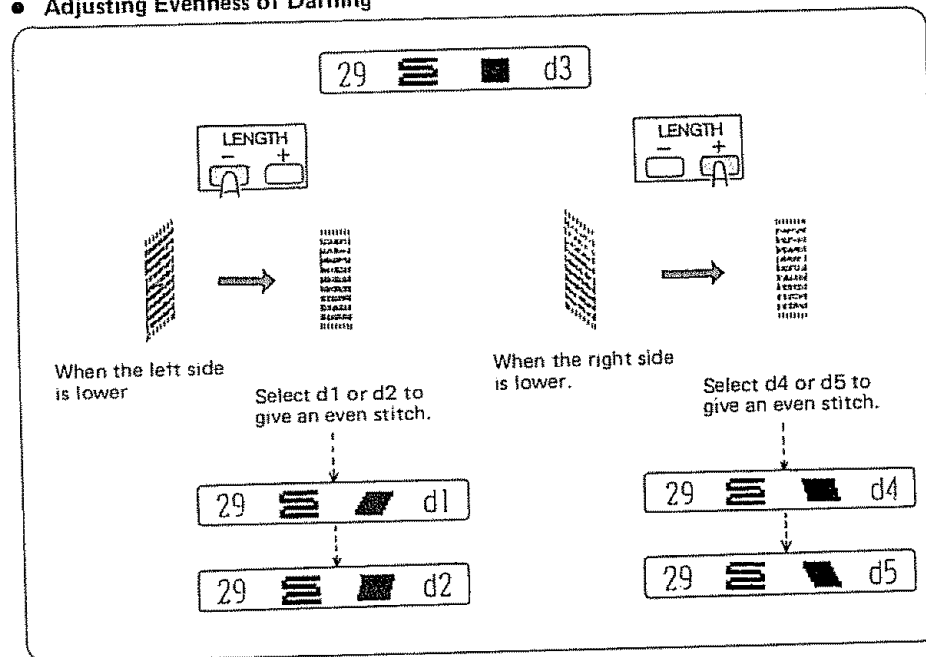
It is simple to make a darning of same size as the first one.

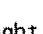

Press memory button when you have completed the first darning.

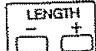
Depress the foot control. For a second darning of the same size.


Pressing mirror image button instead of memory button will give the same result but the darning is made in the reverse sequence.

• Adjusting Evenness of Darning



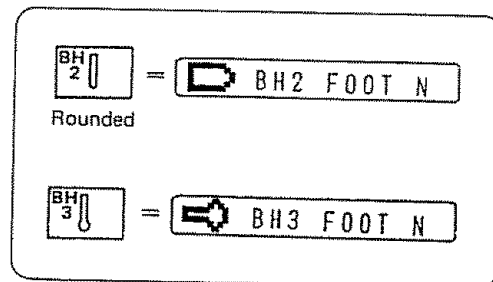
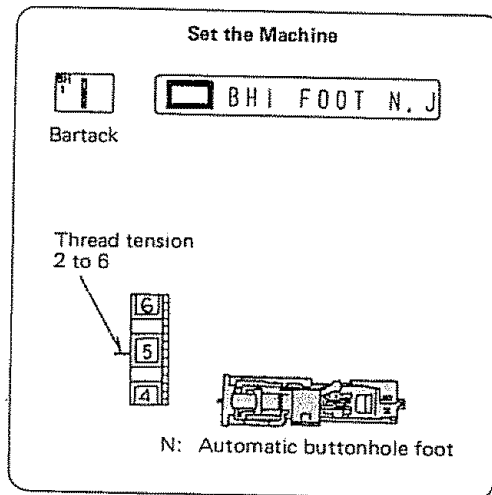
If there is a difference in height between the starting point (left side) and the end point (right side) of darning, make adjustment by pressing the  or  button.

Press  button, and adjust between d1 and d5.

Upon pressing the  button the selection is displayed on the screen.

SECTION 5. LEARN THE STITCHES

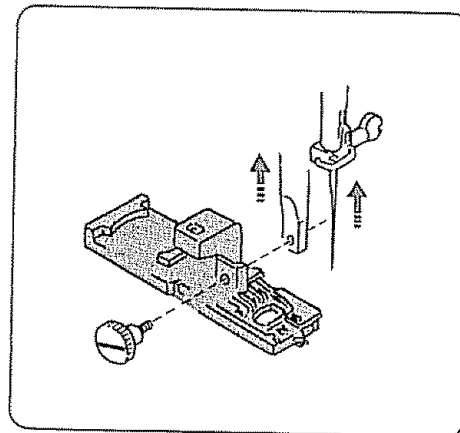
Automatic Buttonholing



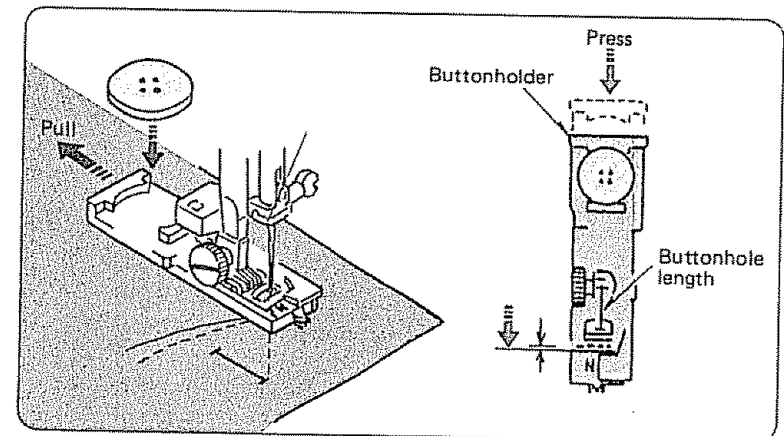
The machine sews three different types of buttonhole to meet every sewing need. All three buttonholes are made in the same way.

The automatic buttonhole foot will gauge the buttonhole length.

Before you sew buttonholes on the actual garment, make several practice buttonholes on a scrap of the same fabric.



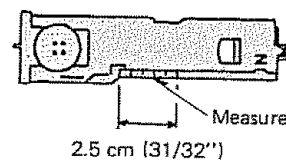
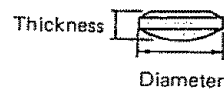
1. a. Press the Up/Down Needle Position Button to raise the needle to its highest position.
- b. Raise the presser foot.
- c. Remove the foot holder.
- d. Attach the automatic buttonhole foot by tightening the foot holder screw.

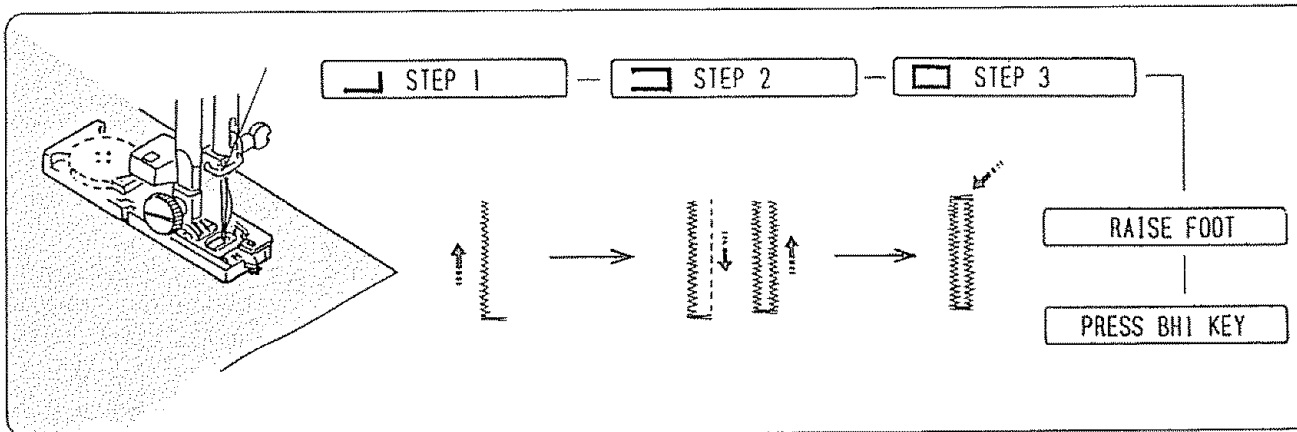


2. a. Draw both threads toward the left under the foot.
- b. Lower the needle to the bottom mark.
- c. Lower the presser foot.
- d. Open the button holder by pulling it back as shown above.
- e. Place the button you intend to use on the button holder of the automatic buttonhole foot N.
- f. Press the back of the holder towards you to secure the button.

NOTE: If the thickness of button is more than 0.4 cm (3/16"), measure thickness and diameter and set the button holder as shown.

EXAMPLE: If the button is 2 cm (3/4") in diameter and 0.5 cm (3/16") in thickness, set the measure 2.5 cm (31/32"). Add thickness and diameter. And use the sum for the setting.





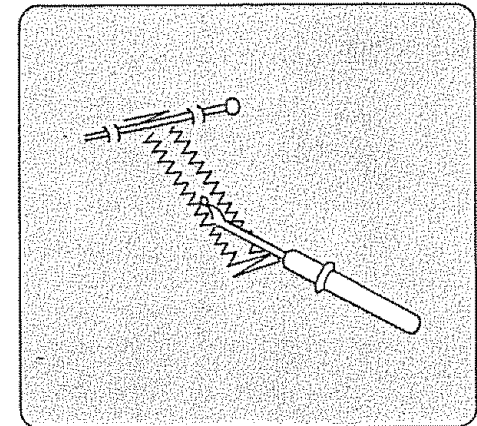
3. Depress the foot control and keep depressed until the machine stops by itself.

The buttonhole will be automatically sewn: the front bartack and left row first, then the right row and back bartack.

The machine will stop automatically.

4. To sew another buttonhole or to start from the beginning of the buttonhole press the key BH1, then depress the foot control.

* To reinforce the buttonhole or make it denser simply depress foot control again without raising the buttonhole foot.

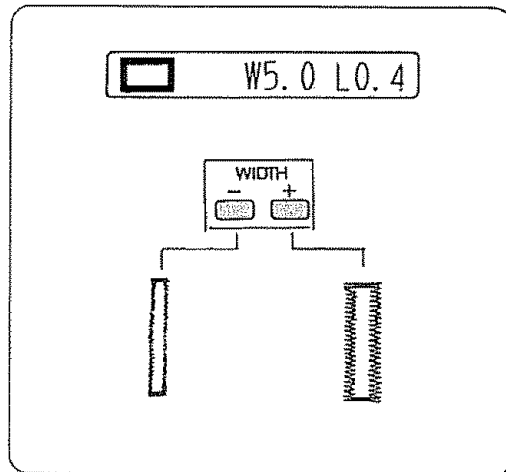


5. Cut the opening with the buttonhole opener in your accessory box.

SECTION 5. LEARN THE STITCHES

- Adjust the Stitch Width and Density

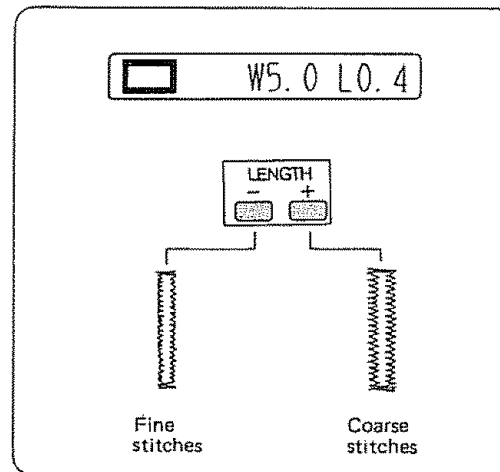
Stitch Width:



The stitch width button controls the stitch width. It is pre-set at "5.0".

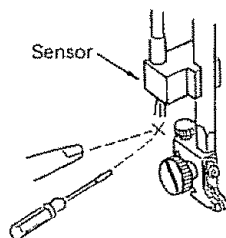
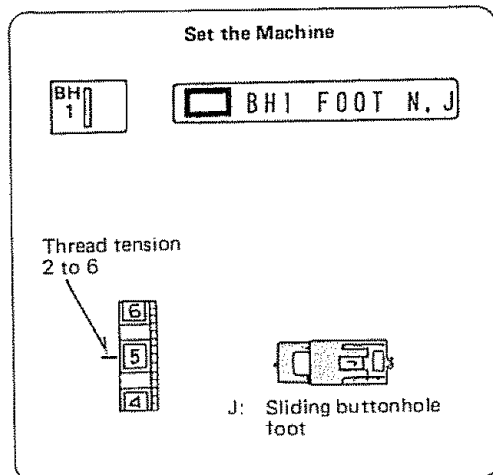
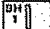
Press "+" or "-" to adjust the stitch width of the entire buttonhole.

Stitch Density in Entire Buttonhole:

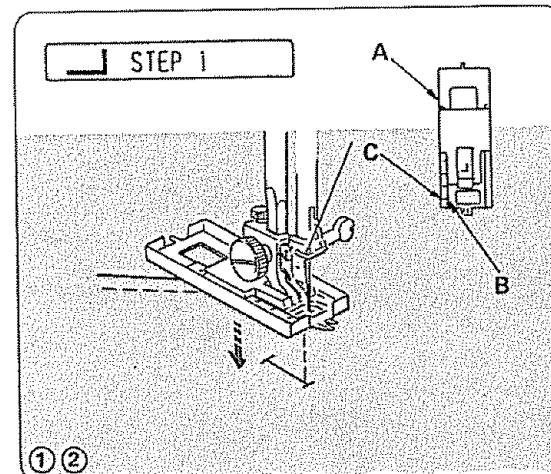


The stitch length button controls the stitch density. It is pre-set at "0.4".

Press "+" or "-" to adjust the stitch density of the entire buttonhole.

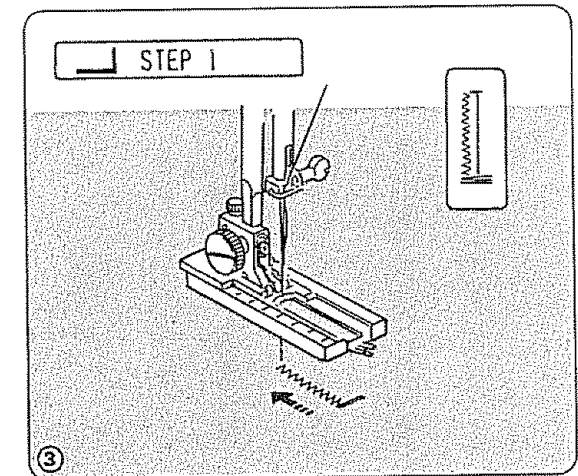
Manual Buttonholing 

NOTE: Do not put finger, screw driver or any other object near or under the sensor when sewing buttonholes by using sliding buttonhole foot J. Otherwise the sewing procedure in the pattern indicator may advance to the next steps.



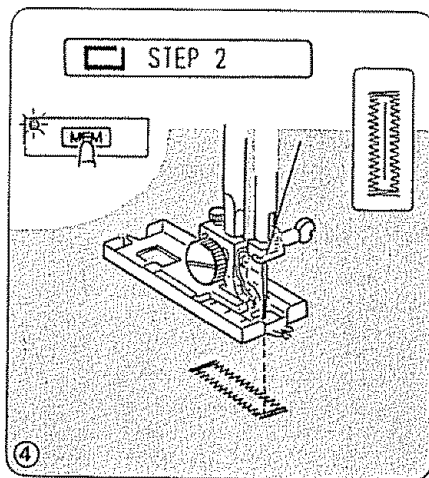
- ① a. Carefully mark the buttonhole length on your garment.
b. Change to the sliding buttonhole foot.
c. Insert the garment under the foot with the buttonhole marking running toward you. Slide both threads to the left.
- ② a. Move the slider (A) away from you so that the bottom mark (C) on the slider meets the start mark (B).
b. Line up the markings on the foot with the bottom mark on your garment.
c. Lower the presser foot and press BH1 (bar-tack) button.

NOTE: The markings on the slider are made in centimeters.



- ③ The machine will bartack and sew up the left side of the buttonhole.
Stop the machine at the top mark.

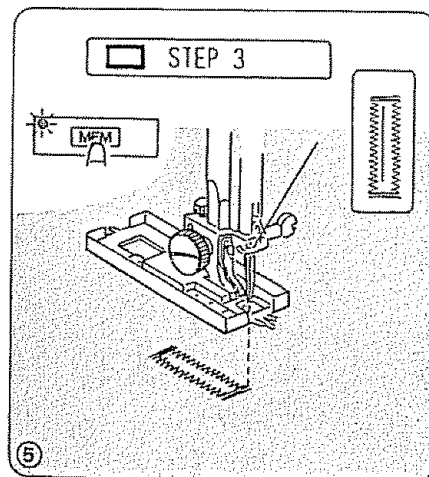
SECTION 5. LEARN THE STITCHES



④ Press the memory button.

The machine will bartack and sew down the right side.

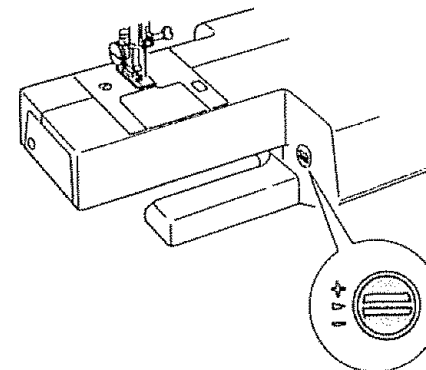
Stop the machine when you are directly opposite the first stitch on the left hand side.



⑤ Press the memory button.

The machine will auto-lock the end of the buttonhole and stop. Keep the foot control depressed until the machine stops by itself.

• Stitch Density on One Side



A



B

For Condition A:

Left Side Stitches too Far Apart (see above).

Turn the feed balance dial slightly toward "+". Use the large screw driver in your accessory box.

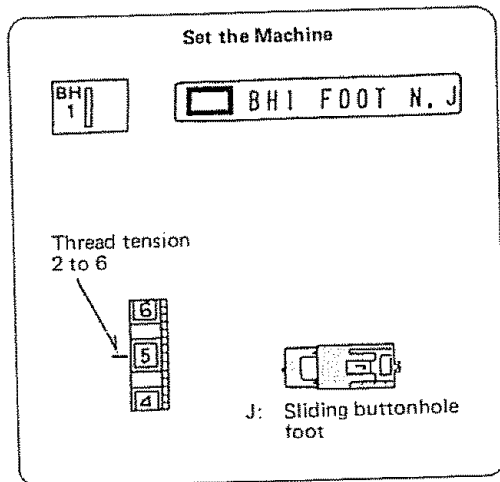
For Condition B:

Right Side Stitches too Far Apart (see above).

Turn the feed balance dial slightly toward "-".

After adjusting the feed balance dial, sew another test buttonhole to be sure your adjustment is correct.

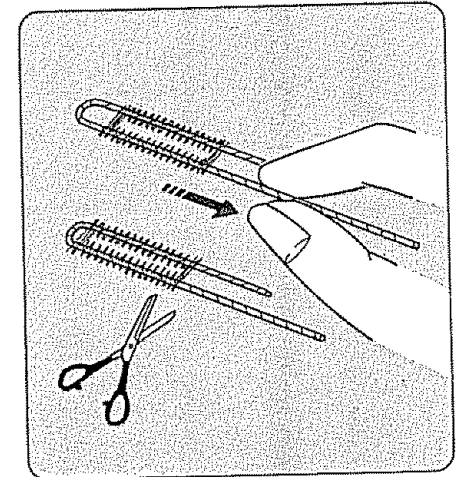
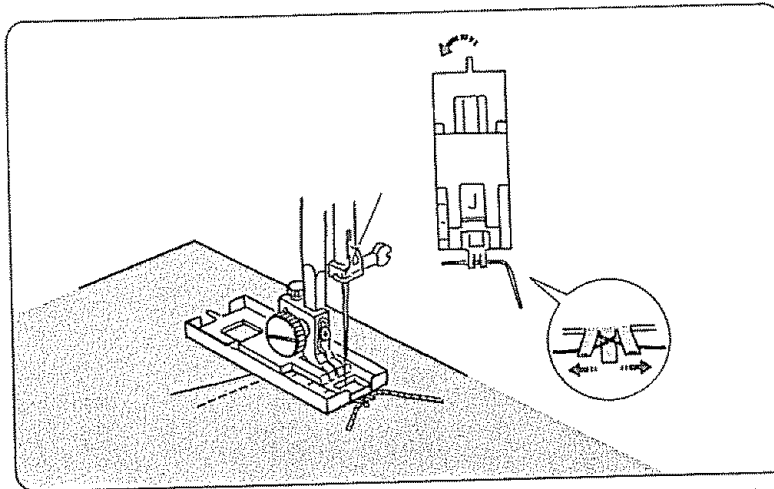
NOTE: Remember to return the feed balance dial to the standard mark (▷) when you have completed the buttonholes.

Corded Buttonholes 

Use this procedure when you want to achieve a tailored, more attractive raised buttonhole.

Use filler cord (at least 15 inches of heavy thread).

Try a practice buttonhole first.



1. With the buttonhole foot raised, hook the filler cord on the cord spur at the back of the buttonhole foot.
2. Bring the ends toward you under the buttonhole foot until they clear the front end.
3. Hook the filler cord into the forks on the front of the J foot to hold them tight.
4. Lower the needle into the garment where the buttonhole will start and lower the foot.
5. Sew the buttonhole according to the buttonhole sewing instructions on p. 69 to 70. Each side of the buttonhole and the bartacks will be sewn over the cord.
6. Remove the fabric from the machine and cut the sewing threads.
7. Pull the right end of the filler cord to tighten it.
8. Thread the end through a darning needle, draw to the bottom side of the fabric and cut.

NOTE: To adjust stitch density, see p. 70.

SECTION 5. LEARN THE STITCHES

Hemming and Edging Stitches **16**, **21**, **22**, **28**, **30** and **31**

Set the Machine

28

28 FOOT G

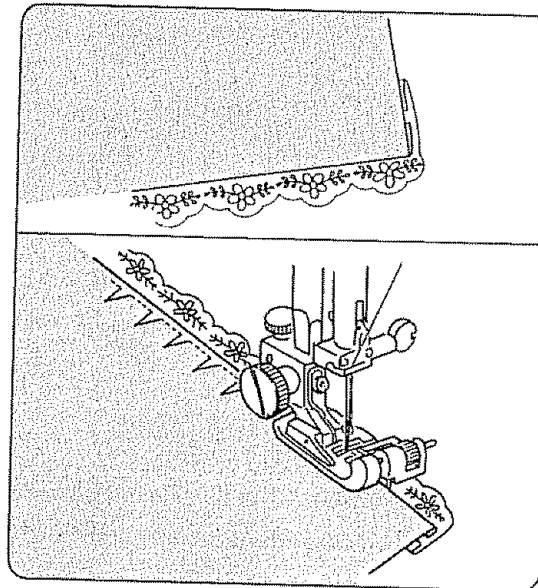
Thread tension
2 to 6

G: Blind hem stitch foot

28 W5.0 L2.0

WIDTH
Stitch width: 5.0

16 21 22 28 30 31



Hemming and Edging garments, tablecloths, napkins and craft items has often required careful hand sewing to produce a professional, finished look.

The machine can do these precision stitches much faster and more precisely than you ever dreamed possible.

16	21	22	28	30	31
G	A or F	A or F	G	F	F

The Stitches covered in this section are:

Blind Hem Stitch **16** (stretch) **28**

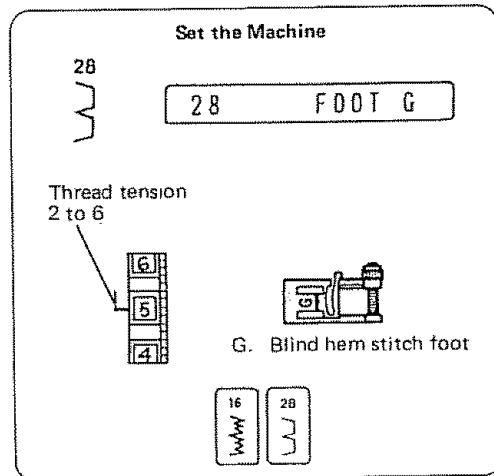
Shell Stitch **28**

Scalloped Stitch **21** and **22**

Cut-Out Work Edging **30** and **31**

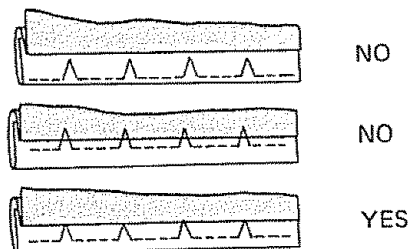
Applique **30** and **31**

● Blind Hem Stitch (stretch) 16



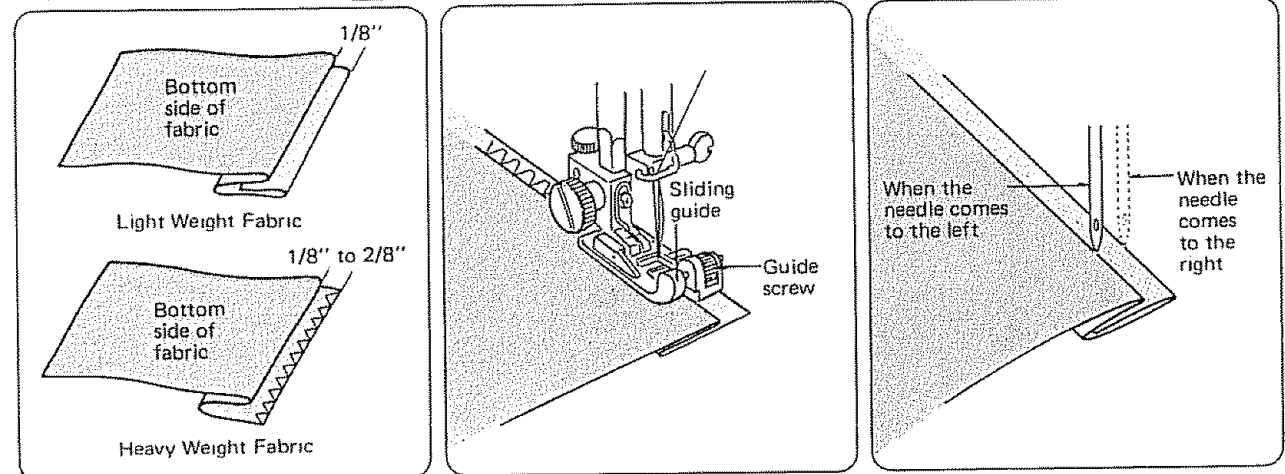
The Stitches and Their Uses

The stretch Blind Hem Stitch 16 is to be used for stretch fabrics because it is the stronger and more elastic of the blind hem stitches.



The regular blind hem stitch 28 is strong enough for woven fabrics.

● Blind Hem Stitch (woven) 28



Here's How

1. Finish the raw edge of your hem any way you desire. (See Overcasting, p. 59)
2. Measure, turn up your hem and pin.

NOTE: For light weight fabrics, you may need a double fold.

3. Fold the material (Bottom side out) on the edge to be stitched as shown, leaving 1/8" of the finished hem edge showing.
4. Turn the sliding guide screw so that the sliding guide is very close (1/16") to the left side of the blind hem foot.
5. Place the fold of the hem against the sliding guide so that the 1/8" extending edge shows on the right. The long zigzag stitch should barely pierce the folded edge of the fabric, but still sew on the 1/8" extended edge. See at left for proper stitch appearance.
6. After hemming, press both sides of the finished hem. The right side of the garment will show only the blind stitches.

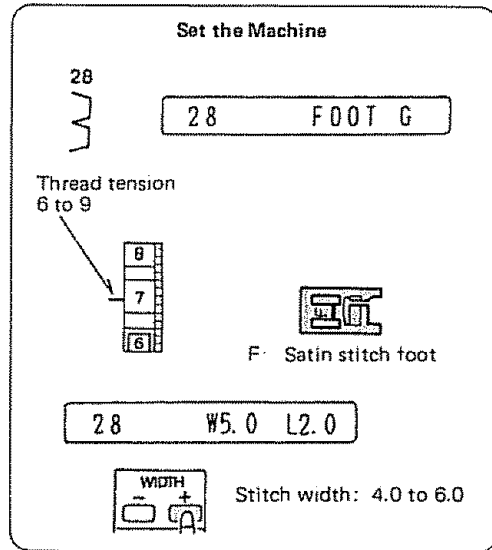
Helpful Hint

Hemming Thin Fabrics:

Reduce pressure on the presser foot to avoid a distinct line.

SECTION 5. LEARN THE STITCHES

• Shell Stitch 28

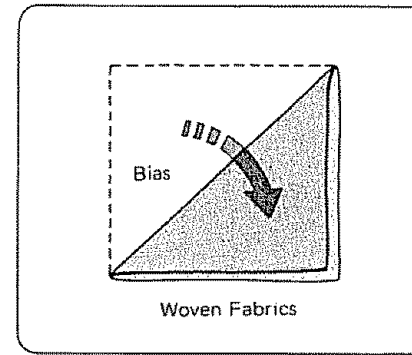
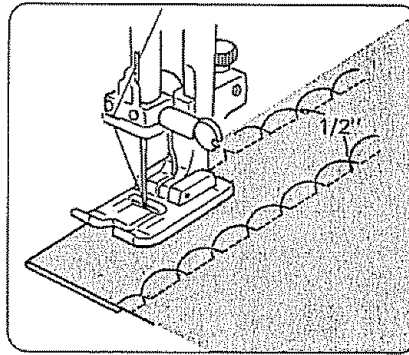


The Stitch and Its Uses

The Shell Stitch is formed by sewing a blind hem over folded fabric. Several rows of shell stitching are called shell tucks.

Shell stitching can be used to finish hems, sleeve and neck openings.

Shell tucking can be used to create scalloped tucks on blouses and lingerie.

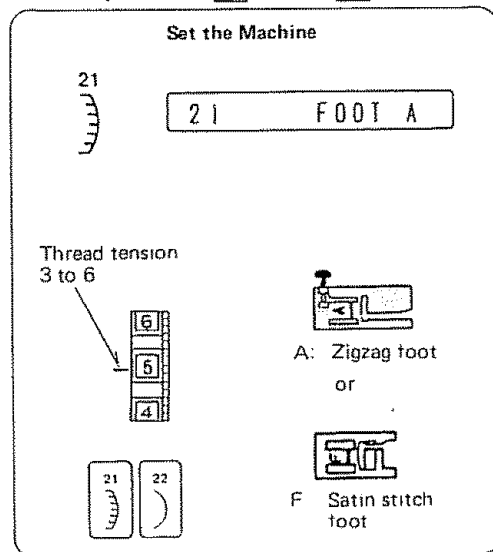


Here's How

1. For best effect
 - set the stitch width and length as you desire.
 - you may need to tighten the top thread slightly.
 - allow the needle to just clear the folded edge of the fabric when it zigzags.
2. If you sew rows of shell stitches, space the rows 1/2" apart.

You can sew Shell Stitch on knits or soft silky wovens in any direction.

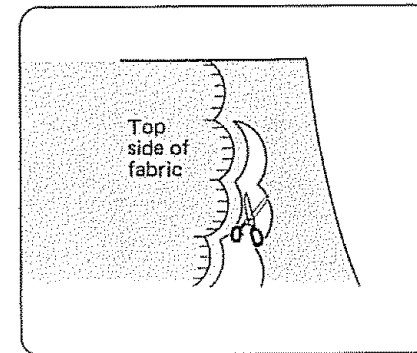
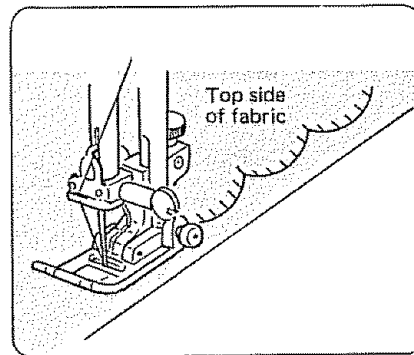
• Scallop Stitch **21** and **22**



The Stitch and Its Uses

Use this attractive scallop stitch to create scallop edges or decorate your sewing projects, such as collars, pockets or placemats. You can create a delicate appearance on thin fabrics, such as chiffon, using a single layer of fabric with a tear-away backing for support while stitching.

You can also use this scallop stitch to sew decorative edgings on the hemlines of dresses or sleeves.



Here's How

1. Sew your scallops at least 3/8" from the folded edge.
2. After stitching, trim fabric close to the stitching. Be careful not to cut the thread.

Helpful Hints

For thin fabrics:

Use a single layer of fabric with a tear-away backing for support while stitching.

For hemlines and sleeves:

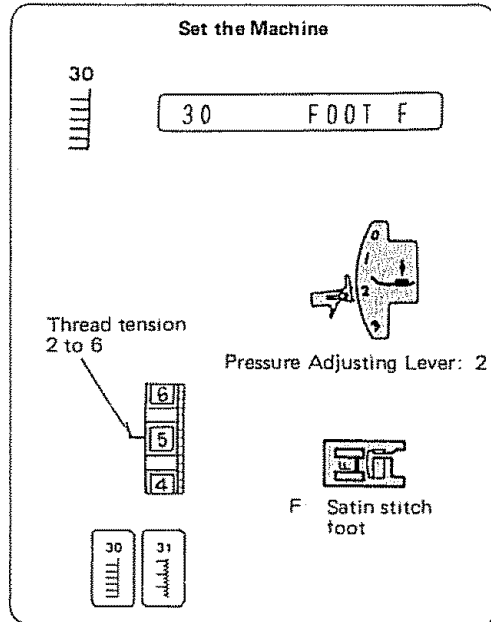
Use a tear-away backing, if necessary.

For collars, pockets or craft projects:

Place interfacing between the layers of fabric to provide stiffness.

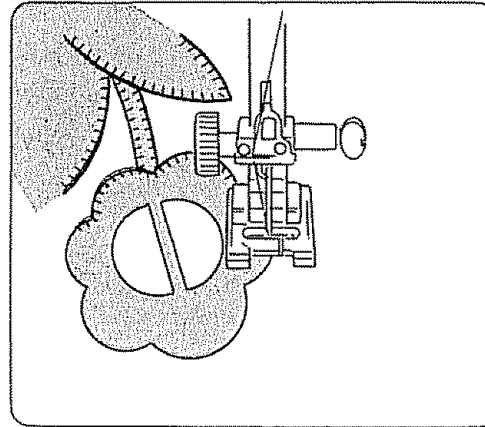
SECTION 5: LEARN THE STITCHES

• Cut-Out Work Edging and Applique **30** and **31**



The Stitch and Its Uses

Cut-Out Work and Applique are the major uses for this stitch, but it can also be used to provide edging on many sewing projects, including placemats, blankets, collars, cuffs and pockets.

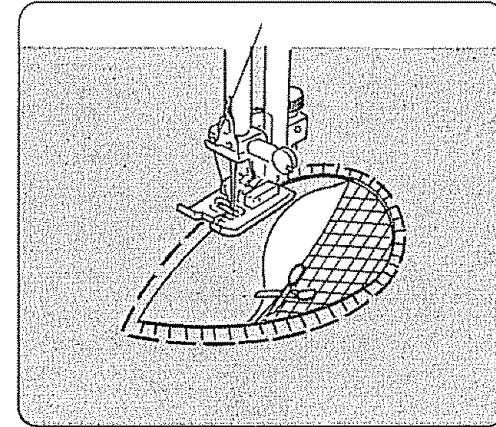


Here's How – For Applique

1. Use a fusible heavy weight interfacing behind each piece of your applique.
2. Cut the interfacing slightly smaller than the design pieces.
3. Tape or baste the applique in place and sew around each piece with stitch pattern **30** or **31**.

NOTE: You may also use a satin stitch.

4. When sewing curves, leave the needle in the fabric, raise the presser foot and turn the fabric.
5. Lower the presser foot and stitch.



Here's How – For Cut-Out Work

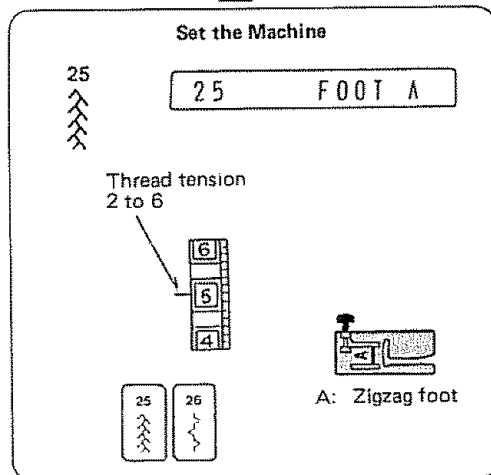
1. Choose a simple design and trace the outline on the right side of the fabric.
2. Place a piece of tulle or organdy under the design and pin in place.

NOTE: You may want to use a contrasting insert fabric to accent your work.

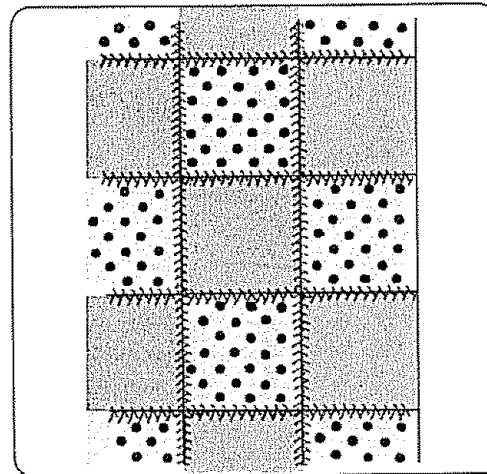
3. Baste the layers together, stitching just outside the outline. Remove the pins.
4. Stitch around the design, using stitch pattern **30** or **31**.

NOTE: You may also use a narrow satin stitch (see p. 58).

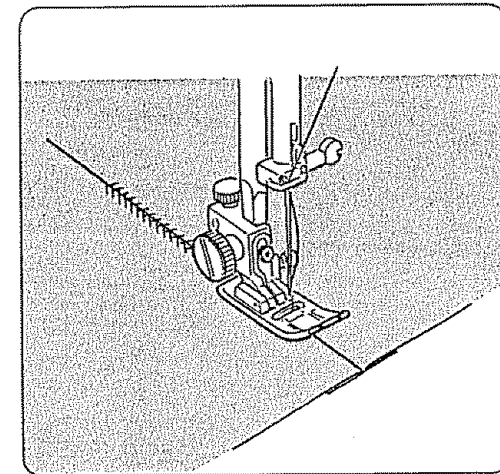
5. Remove basting and cut the fabric inside the design close to the stitching, using embroidery scissors.

Reinforcing Stitches **25**, **26**, **33** and **35**• Feather Stitch **25**The Stitch and Its Uses

This stitch is strong, useful and decorative. It can reinforce stretch and woven fabrics. You can use it to sew spandex undergarments or decoratively hem elastic fabric. You may also use this stitch in patchwork quilting.

Here's How

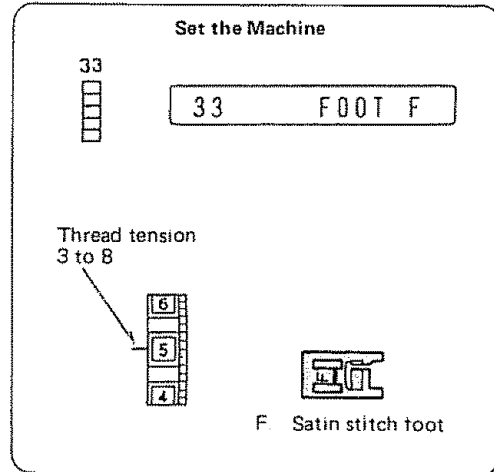
1. Sew this pattern on a seam that is already joined and pressed flat.



2. Butt two folded edges together and use this stitch to join them.

SECTION 5. LEARN THE STITCHES

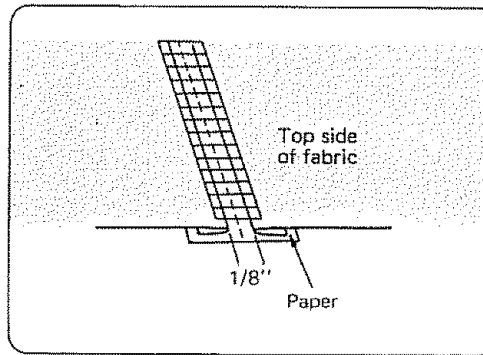
• Fagoting Stitch 33



The Stitch and Its Uses

Use this stitch to join two pieces of fabric to create an open work appearance and add design interest.

For other stitches that may be used in fagoting, see stitch patterns 25 and 26 (p. 77).



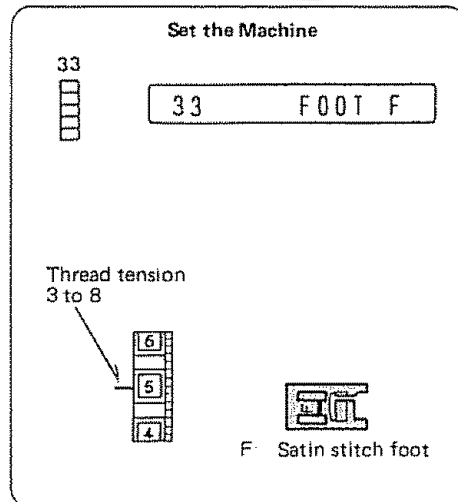
Here's How

1. Fold under each fabric edge 1/2" and press.
2. Pin the two edges to paper or tearaway backing 1/8" apart.
3. Sew slowly, guiding the fabric so the needle catches the folded edge on each side.

Helpful Hint

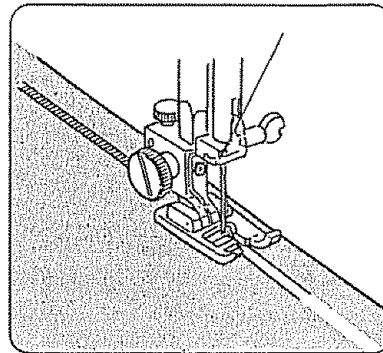
You may want to set the stitch width on "7.0" for maximum effect.

• Elastic Casing Stitch 33



The Stitch and Its Uses

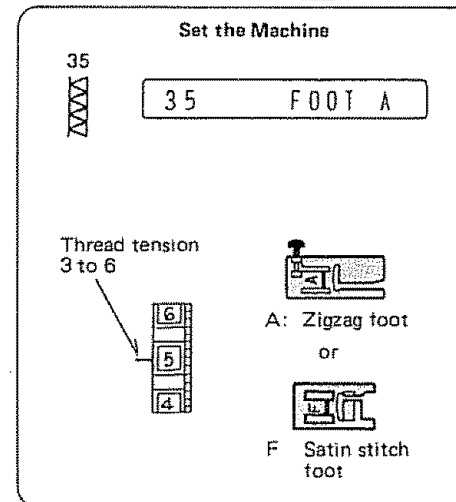
Use this stitch to replace bias tape casings in such areas as wrists and waists. In children's clothing, this stitch is especially helpful, because it reduces bulk.



Here's How

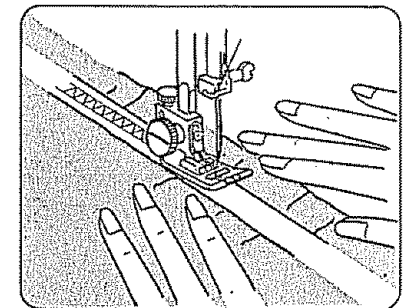
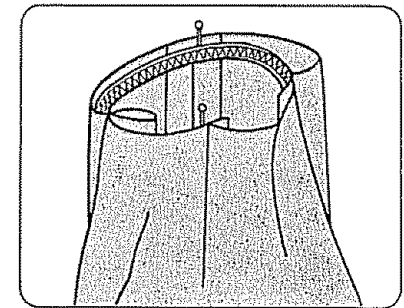
1. Slide a piece of 1/8" elastic under the foot, then up through the slot in Foot F (satin stitch).
2. Sew the elastic on the bottom side of the fabric, pulling it gently to avoid sewing through the elastic.
3. Pull on the elastic to gather the fabric and bartack at both ends.

• Elastic Stretch Stitch 35



The Stitch and Its Uses

Choose this stitch to attach elastic to garments.

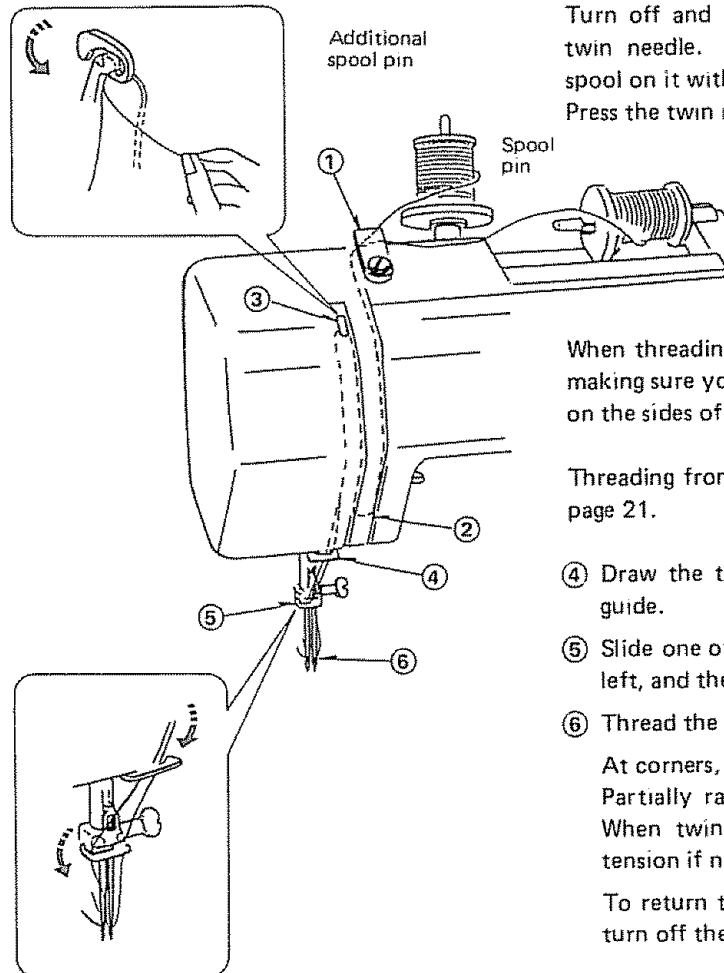
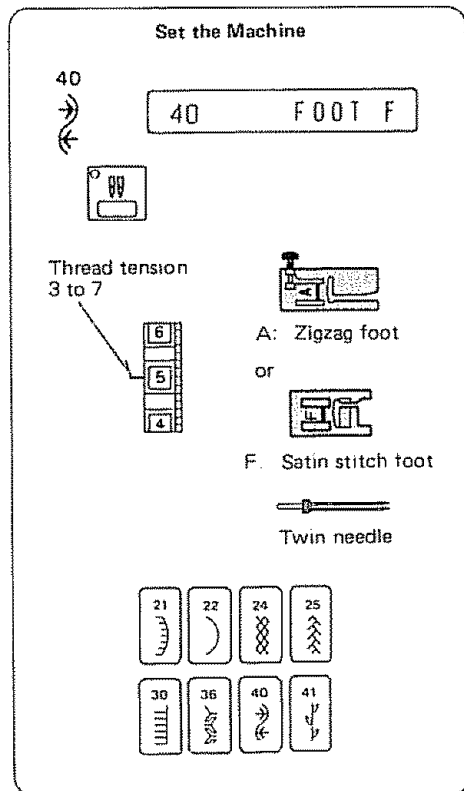


Here's How

1. Mark the elastic into quarters and match these to the center front, center back and side seams.
2. Place the middle of the elastic under the center of the presser foot and stitch into place, making sure the elastic is evenly distributed.

SECTION 5. LEARN THE STITCHES

Twin Needle Stitching 21, 22, 24, 25, 30, 36, 40 and 41



Turn off and unplug the machine before changing the needle to the twin needle. Insert the additional spool pin, and put the felt and spool on it with the thread coming off the spool as shown. Press the twin needle button.

When threading the machine for twin needle sewing follow this chart making sure you separate the threads, placing one in each thread guide on the sides of the needle bar.

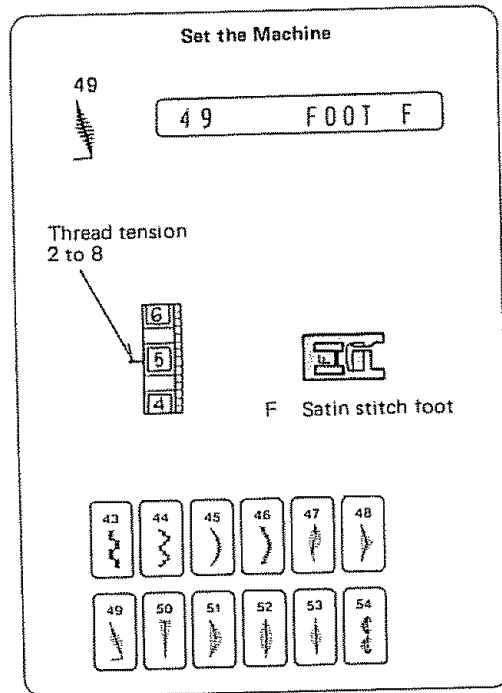
Threading from ① to ③ is the same as for single thread. Refer to page 21.

- ④ Draw the threads down and slide them through the lower thread guide.
- ⑤ Slide one of the threads through the needle bar thread guide on the left, and the other one on the right.
- ⑥ Thread the needle from front to back.

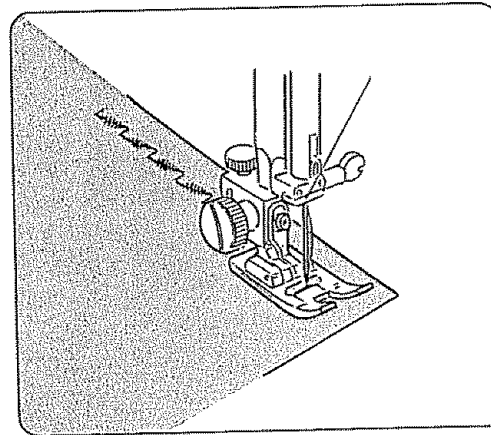
At corners, raise the needle till they clear the fabric. Partially raise the presser foot and carefully pivot the fabric. When twin needle sewing is completed, change needle and reset tension if necessary.

To return to single needle sewing, press the Twin Needle button or turn off the power switch.

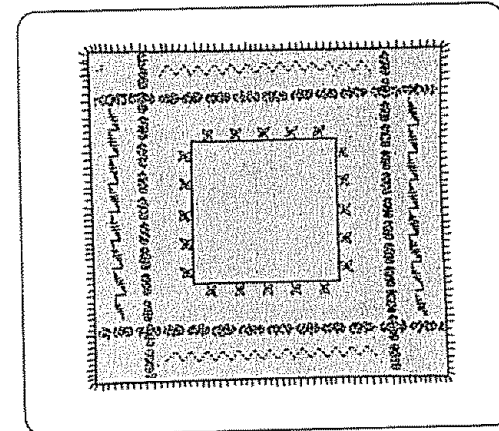
NOTE: To avoid the thread twisting, it is advisable to thread the machine one thread at a time.

Decorate with Geometric Patterns 43 ~ 54The Stitches and Their Uses

These stitches are purely decorative. You can sew one row or several or vary the stitch width and length for special effects. Experiment on a scrap of fabric to see what special effects are possible.

Here's How

1. Adjust the stitch width and length as you desire.
2. Practice the stitch on a scrap of fabric.
3. Mark the lines for decoration on the fabric, using a washable fabric marker.
4. Lower the needle at the starting point.
5. Lower the presser foot.
6. Lock the stitch at the beginning (press auto-lock).
7. Gently guide the fabric along the marked line.
8. Use the auto-lock to secure the row of stitches at the end.

Helpful Hint

You may want to combine these geometric decorative stitches with other decorative stitches. See "Programming Decorative Stitch Patterns" (p. 87 ~ 90) for detailed instructions.

SECTION 5. LEARN THE STITCHES

Decorate with Stretch Stitch Patterns 39 ~ 41 and 57 ~ 80

Set the Machine

66

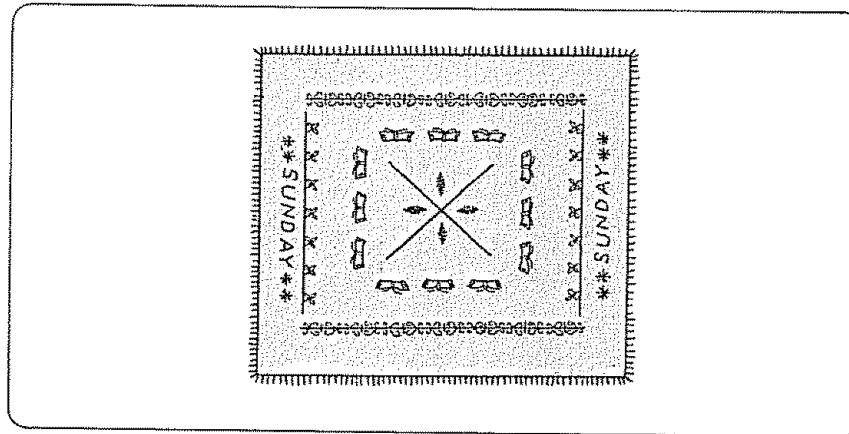
66 FOOT F

Thread tension
2 to 6

6
5
4

F Satin stitch foot

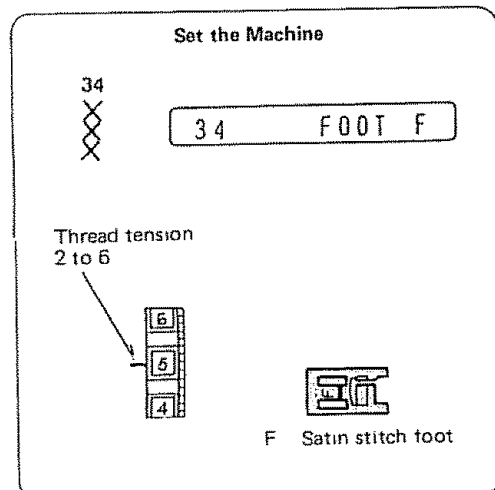
39	40	41	57	58	59	60	61
62	63	64	65	66	67	68	69
70	71	72	73	74	75	76	77
78	79	80					



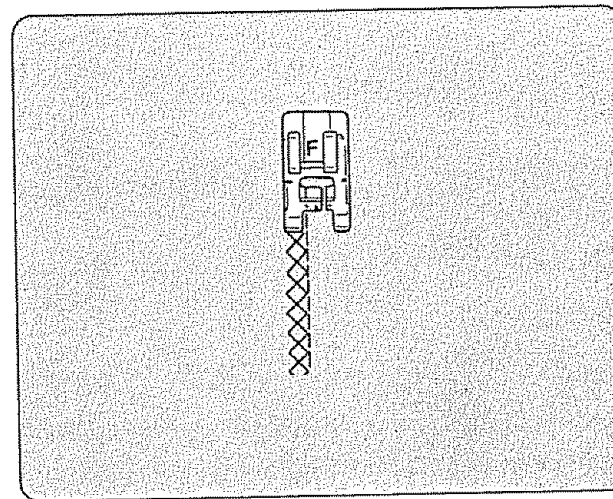
The Stitches and Their Uses

Decorative stretch patterns can be used for adding creative and personalized touch to the items you sew for your home and family.

Cross Stitch 34

The Stitch and Its Uses

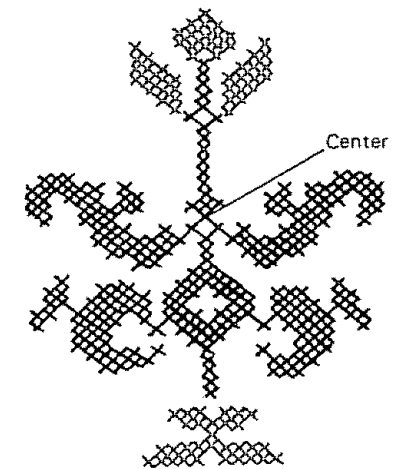
You can make beautiful designs with this embroidery stitch pattern, in half the time it would take if embroidered by hand. You can also combine cross stitches with the other decorative patterns and letters or numbers for attractive samplers and other sewing projects.

Here's How

1. Choose a plain close weave fabric such as linen or wool flannel for the background fabric.
2. If you choose light weight fabric, use a tear away fabric backing for support.
3. Adjust the stitch width and length as you desire to match the pattern you have or plan.
4. Find the center of the design, or if the design is a border, choose a starting point.
5. Count the cross stitches from the center up and program the number.
(See p. 90, Pattern Single Units.)
Use Auto-Lock to begin and end.

For example: For 2 cross stitches.

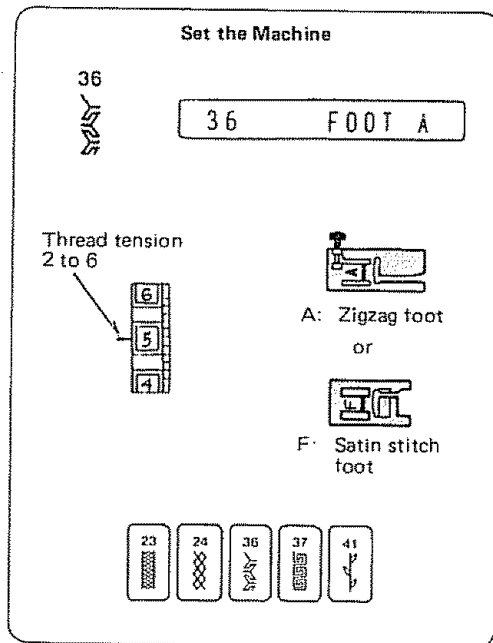
Press MEM 34 MEM MEM MEM

For Cross-Stitching Without a Pattern:

1. Start in the center of the design and sew the first row, letting the fabric feed naturally.
2. Then count the next row of stitches to the left or right.
3. Add or delete stitches by pressing the Clear button and reprogramming.
4. Begin each row by lowering the needle at the corner of a previous stitch.
5. Use the placement arrow "Δ" on Foot F to insure straight, even rows.

SECTION 5. LEARN THE STITCHES

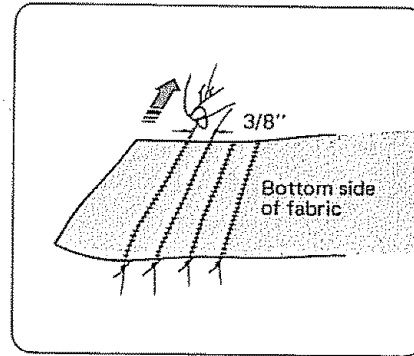
Smocking **23** , **24** , **36** , **37** and **41**



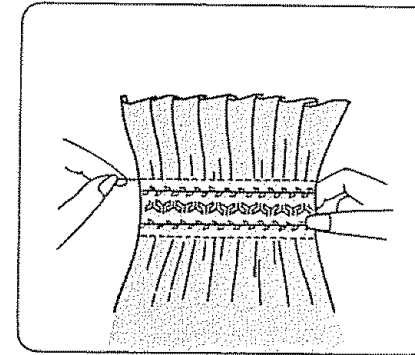
The Stitches and Their Uses

Smocking is a delicate decorative treatment or children's clothes or women's blouses.

Step I (1 to 6)



Step II (7 to 8)



Here's How

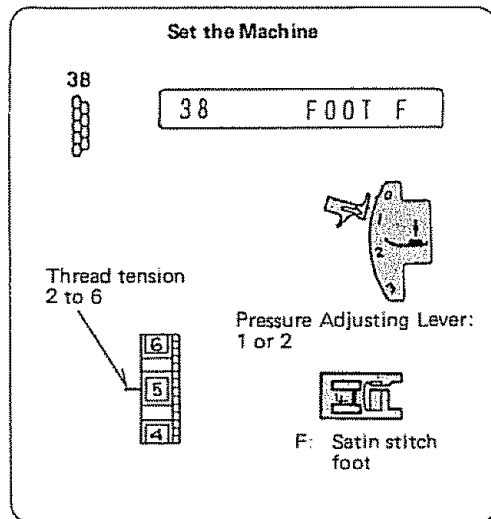
1. Choose a soft, lightweight fabric such as batiste, gingham or challis.
2. Cut the fabric three times the finished width.
3. Set the stitch length control button at "4.5" and sew rows of straight gathering stitches $3/8$ " apart across the area to be smocked.

NOTE: Loosen the needle thread tension to make gathering easier.

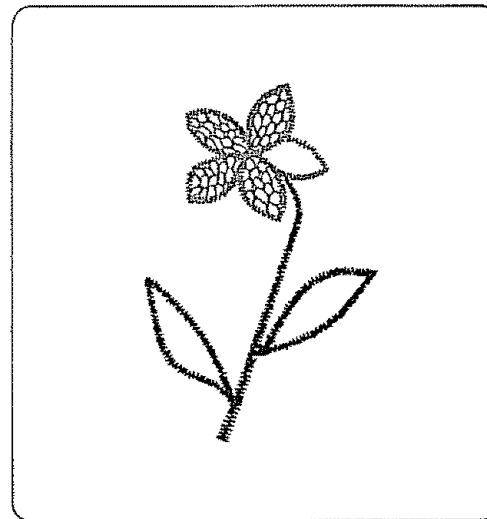
4. Knot the threads along the edge.
5. Pull the bobbin threads and distribute the gathers evenly.
6. Secure the threads at the other end.
7. Sew the decorative stitches of your choice between the gathering stitches.
8. Pull out the gathering stitches.

Helpful Hint

These stitches can be used in combination with others for any decorative effect you desire.

Sand Stitch **38**The Stitch and Its Uses

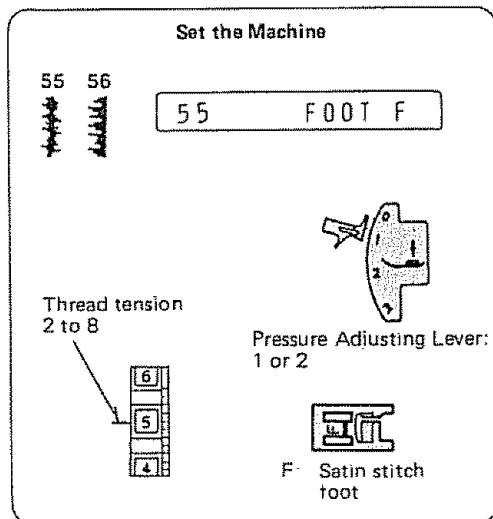
The sand stitch fills in outlined embroidery designs.

Here's How

1. Outline the pattern with a Satin Stitch **13**.
Set stitch width at "1.5".
Set stitch length at "0.3" or as you desire.
2. Fill in the design with the sand stitch.
3. Decrease the stitch width to fill in small spaces.
4. Sew in rows, starting at the edge, until the pattern is filled in.

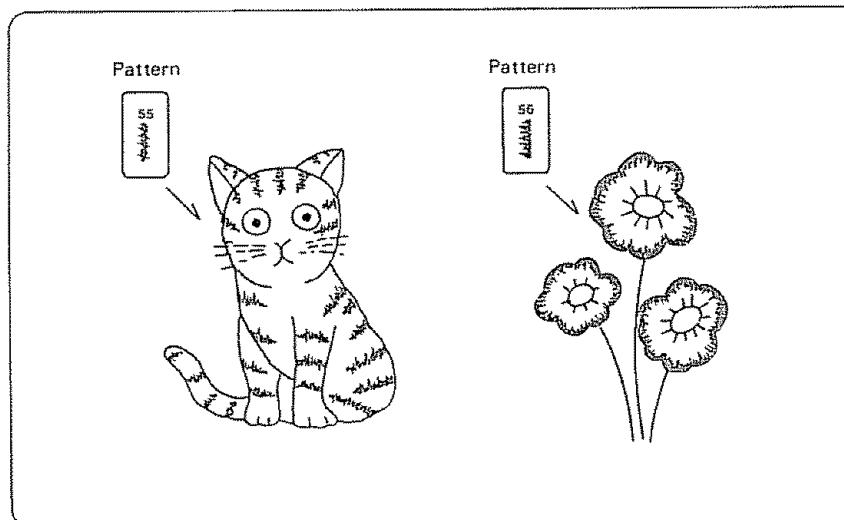
SECTION 5. LEARN THE STITCHES

Shading Stitches **55** and **56**



The Stitches and Their Uses

These stitches can be used to quickly and neatly outline designs. Use them to enhance appliques and create your own machine embroidered motifs.



Here's How














Draw the design on the right side of the fabric. Place a tear away backing or iron-on interfacing beneath the fabric for support where necessary.

Use the automatic settings or manually adjust the stitch length and width to achieve a desired effect. Reduce the pressure to facilitate sewing curved areas and you may need to pivot on sharp curves.

A second row in the same or varied thread color can be sewn inside the first row for a more pronounced outline.

SECTION 5. LEARN THE STITCHES

• Two Cycle Stitching

- | | | | |
|---|---|--------------------------------|---|
| ① |  | Press the Auto-Lock. |  |
| ② | MEM | Press Memory. |  |
| ③ | <i>59</i> | Press the stitch pattern. |  59 |
| ④ | MEM | Press Memory. |  59 □□ ← flash |
| ⑤ | <i>61</i> | Press the next stitch pattern. |  59 61 ← flash |
| ⑥ | MEM | Press Memory. |  59 61 □□ ← flash |
| ⑦ | <i>59</i> | Press the stitch pattern. |  59 61 59 ← flash |
| ⑧ | MEM | Press Memory. |  59 61 59 □□ ← flash |
| ⑨ | <i>61</i> | Press the stitch pattern. |  59 61 59 61 ← flash |
| ⑩ | MEM | Press Memory. | ← 59 61 59 61 □□ ← flash |
| ⑪ |  | Press the Auto-Lock. | ← 59 61 59 61  ← flash |
| ⑫ | MEM | Press Memory. | ← 59 61 59 61  |

To sew two of any stitch pattern, press the memory button twice after selecting the stitch pattern numbers.



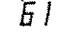





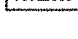
NOTE: Continue to press the foot control until the machine stops automatically.




To repeat the same combination of stitches, just press the foot control again after stitching the first combination.

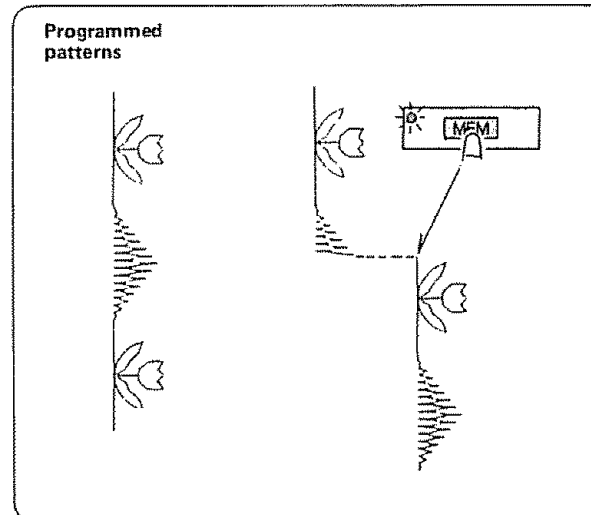
* (" ← " means more memorized patterns exist before pattern 59.

● Cycle Stitching by Pressing Mirror Image Button

Step		
①		Press the Auto-Lock.
②		Press Memory.
③		Press the stitch pattern.
④		Press Memory.
⑤		Press Memory.
⑥		Press Mirror Image.
⑦		Press Mirror Image.
⑧		Press the Auto-Lock.
⑨		Press Memory.

After selecting patterns and pressing the  button, the same number of patterns will be sewn in mirror image.

● Test Sewing Pattern Combinations

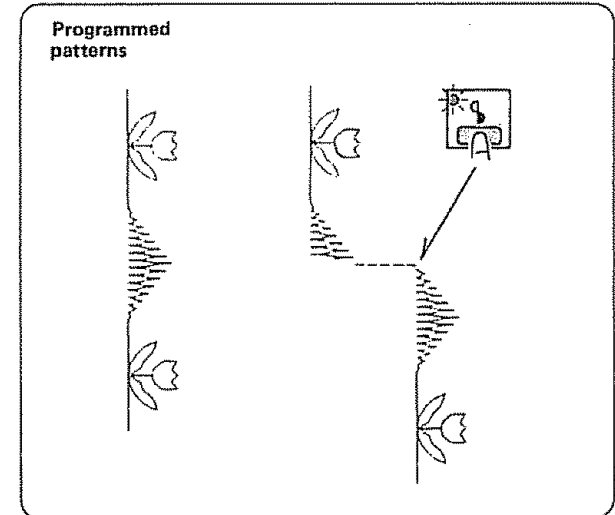


To Start Sewing at the Beginning of Your Pattern Combination:

There may be instances when you want to test a pattern without sewing all the patterns.

Sew as much as necessary then press the Memory button.

The machine will now start sewing at the beginning of your pattern combination.



To Start Sewing at the Beginning of the Pattern You Have Been Sewing:

If you run out of thread in the middle of a pattern, press the Mirror Image Button.

Remove the stitching of the last pattern only.

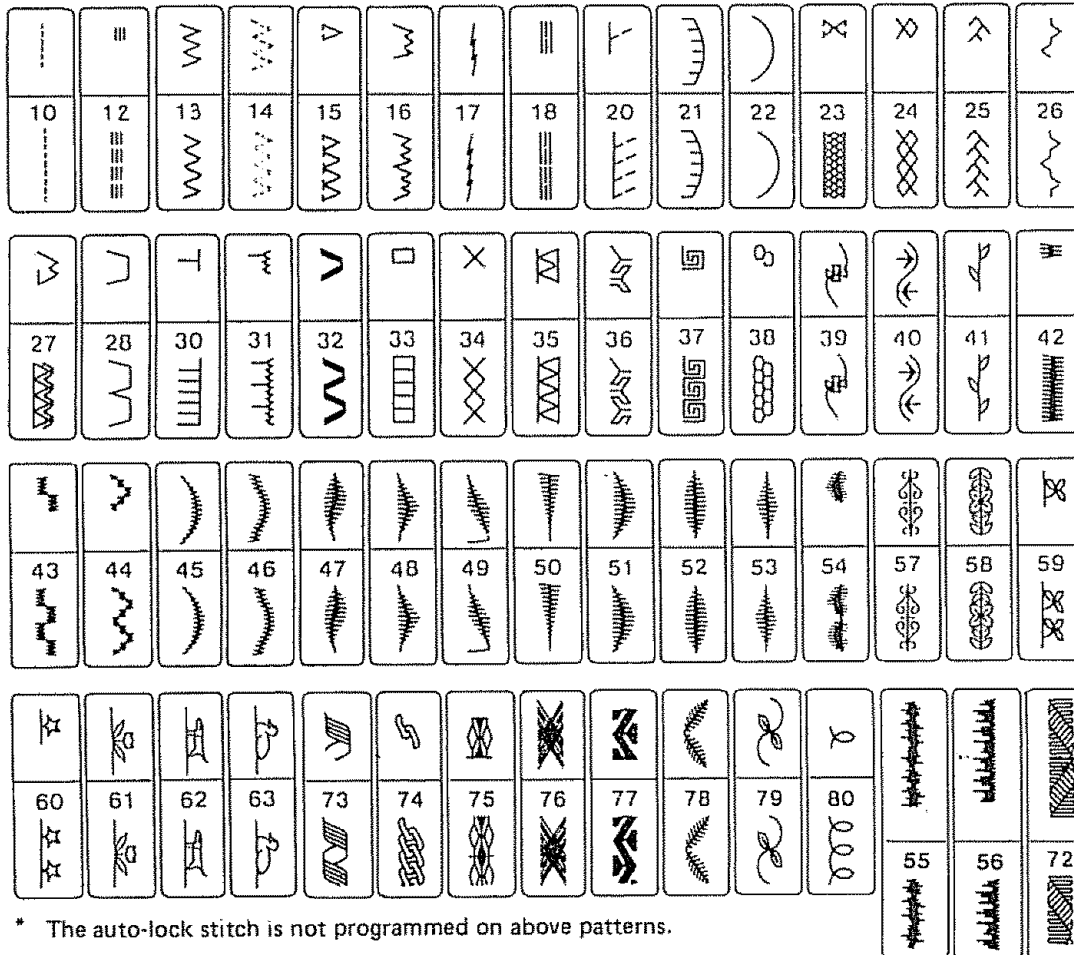
Lower the needle at the end of the last completed pattern.

The machine will start sewing at the beginning of the pattern you have been sewing when you have run out of thread and continue sewing the remaining patterns.

SECTION 5. LEARN THE STITCHES

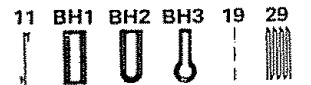
Program Decorative Stitch Patterns

- Pattern Single Units
(Aid to Programming)



* The auto-lock stitch is not programmed on above patterns.

* Up to 31 patterns can be programmed in the memory.

* The following patterns  cannot be used in programmed sewing.

* The following patterns are one-point sewing. The foot control is depressed, only a single pattern is sewn each time.



Memory Lock Alphabet and Numbers

Your machine will sew the 26 letters of the alphabet and numbers in block and script styles. Up to 31 patterns (letters, numbers, punctuation marks and spaces) can be programmed.

Each letter and number is automatically locked at the beginning and end enabling you to remove the connecting threads. The chart below shows where to clip the extra threads. Each pattern start at "O".

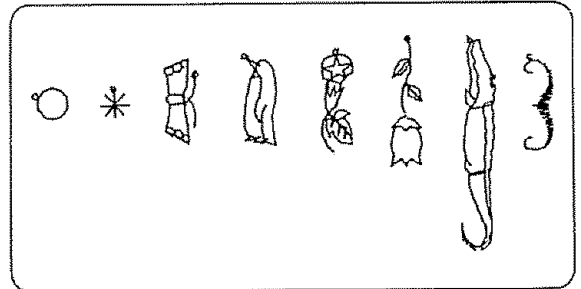
A B C D E F G H I J K L M N O P Q R S T
 U V W X Y Z . , & ? ! 0 1 2 3 4 5 6 7 8 9

A B C D E F G H I J K L M N O P Q R S T
 U V W X Y Z . , & ? ! 0 1 2 3 4 5 6 7 8 9

Memory lock patterns:

The patterns shown below are automatically locked at the beginning and end of the pattern.

Use them alone as a single design on a shirt or combine them with letters, numbers and other craft patterns.



SECTION 5. LEARN THE STITCHES

Monogramming 00 ~ 09, 10 ~ 40

• Combining Letters in Block Style

Step	Control	Display
①	MODE	A FOOT F
②	2B S	S FOOT F
③	MEM	S □ ← flash
④	22 M	SM ← flash (M ↔)
⑤	MEM	SM □ ← flash
⑥	1B I	SMI ← flash (I ↔)
⑦	MEM	SMI □ ← flash
⑧	29 T	SMIT ← flash (T ↔)
⑨	MEM	SMIT □ ← flash
⑩	17 H	SMITH ← flash (H ↔)
⑪	MEM	SMITH □ ← flash

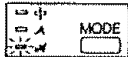
SMITH

• Combining Large and Small Letters

Step	Control	Display
①	MODE	A FOOT F
②	2B S	S FOOT F
③	MEM	S □ ← flash
④	22 M	SM ← flash (M ↔)
⑤		SM □ ← flash
⑥	1B I	SMI ← flash (I ↔)
⑦		SMI □ ← flash
⑧	29 T	SMIT ← flash (T ↔)
⑨		SMIT □ ← flash.
⑩	17 H	SMITH ← flash (H ↔)
⑪		SMITH □ ← flash

SMITH

• Combining Letters in Script Style.

Step		
①		A FOOT F
②	25	P FOOT F
③	MEM	P □ ← flash
④	36	P . ← flash
⑤	MEM	P . □ ← flash
⑥	28	P . S ← flash
⑦	MEM	P . S □ ← flash
⑧	36	P . S . ← flash
⑨	MEM	P . S . □ ← flash
⑩	22	P . S . M ← flash
⑪	MEM	P . S . M □ ← flash
⑫	36	P . S . M . ← flash
⑬	MEM	P . S . M . □ ← flash

P.S.M.

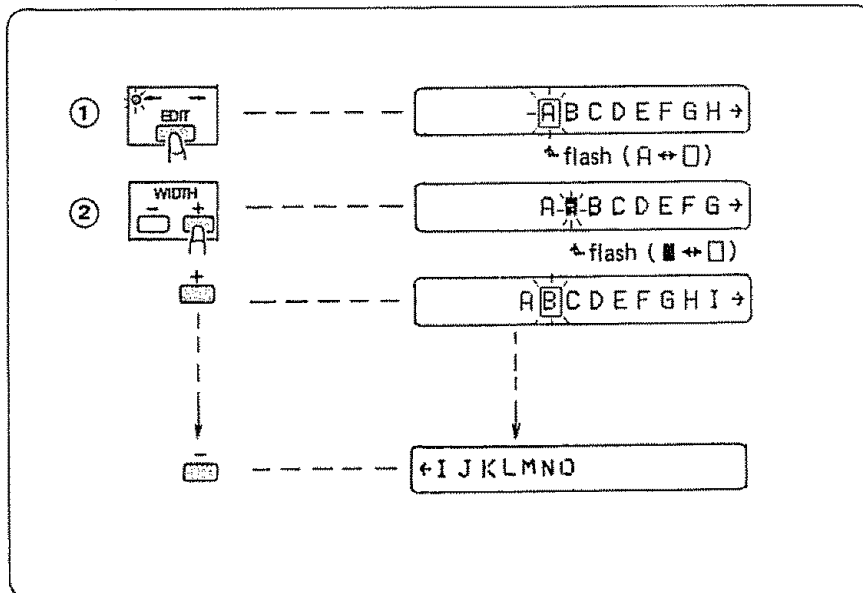
SECTION 5. LEARN THE STITCHES

• Checking and Editing Your Program

(Example) When patterns "A, B, C, D, E, F, G, H, I, J, K, L, M, N, O" are memorized.

The liquid crystal display will show A B C D E F G H I J K L M N

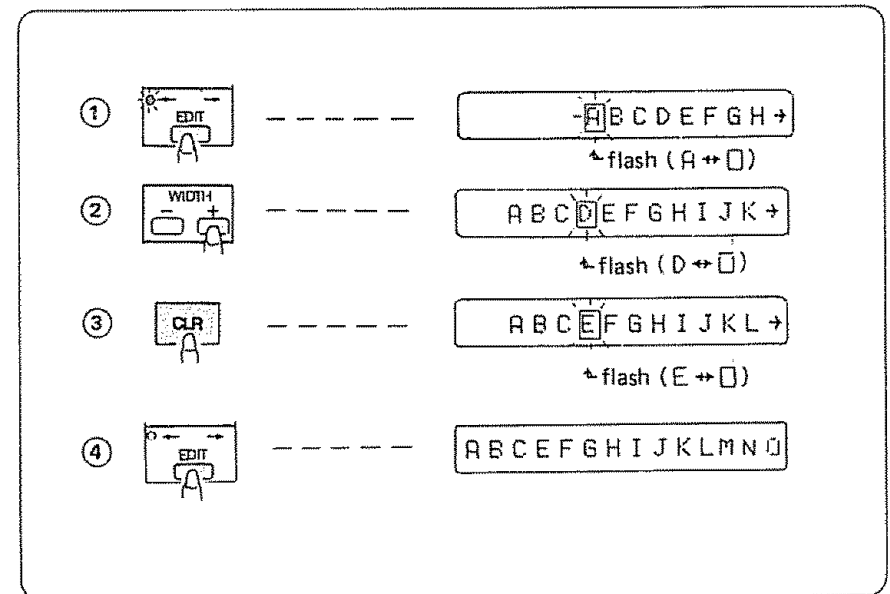
★ Check pattern combination before sewing.



Press EDIT button, flash alphabet A and cursor alternately.
 (" → " means more memorized patterns exist off screen after the letter H).
 Move the cursor to right by pressing width control button +.
 (width control button – for move to left).

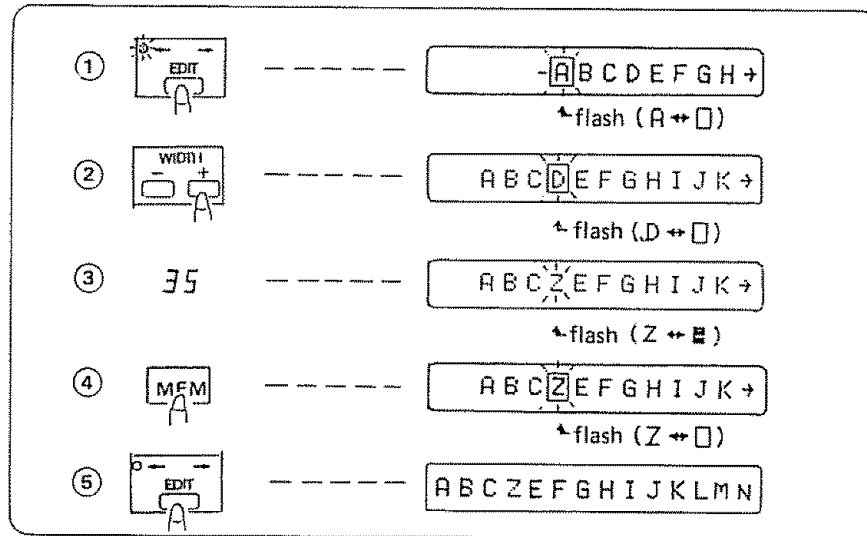
○ Press the EDIT button again when editing is completed.

★ To Delete Patterns Without Adding: (Example: Delete pattern D)



Press EDIT button.
 Move the cursor to alphabet D by pressing width control button +.
 Press CLR button. (alphabet E will flash).
 Press the EDIT button again when editing is completed. (LED will go off).

★ To Delete and Add Patterns: (Replace D with Z)



Press EDIT button.

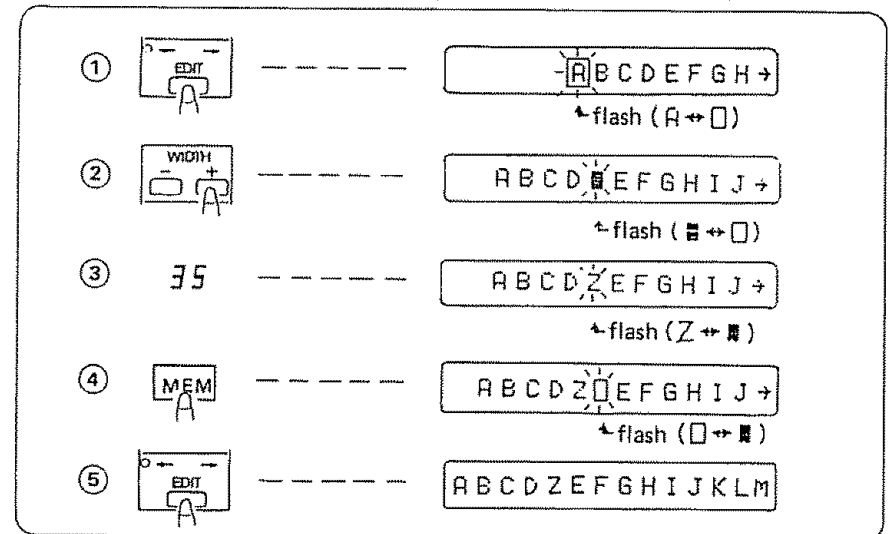
Move the cursor to alphabet D by pressing width control button +.

Press pattern 35.

Press MEM button.

Press EDIT button again when editing is completed.

★ To Delete and Add Patterns: (Add pattern Z between D and E)



Press EDIT button.

Move the cursor to between alphabet D and E by pressing the width control button +.

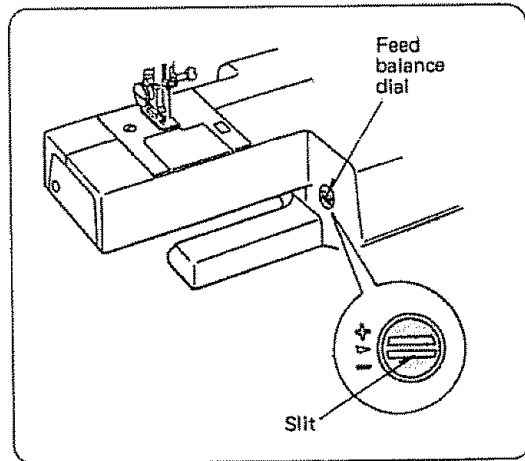
Press pattern 35.

Press MEM button.

Press EDIT button again when editing is completed.

SECTION 5. LEARN THE STITCHES

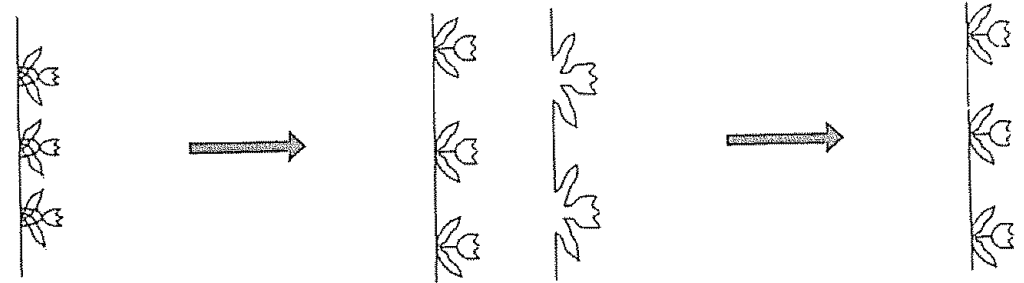
Adjusting Patterns



If decorative stitch patterns, letters/numbers or manual buttonholes are uneven when you sew on a particular fabric, adjust them with the feed balancing dial.

* After sewing with an altered dial setting, you must reset the dial to "▷".

• To Adjust Distorted Patterns



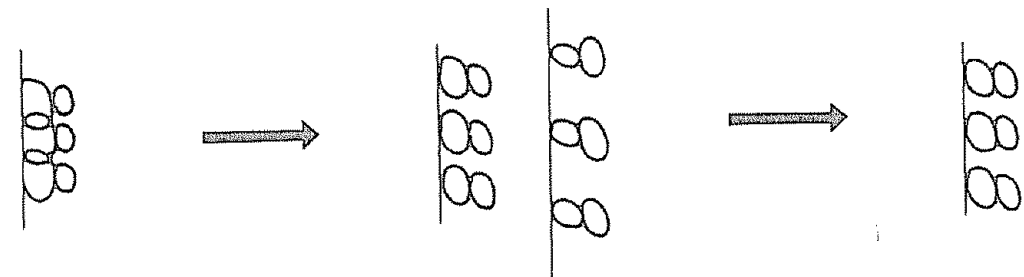
Compressed Patterns:

Correct by turning the feed balance dial toward the "+". Use the large screw driver in your accessory box.

Drawn Out Pattern;

Correct by turning the feed balance dial toward the "-".

• To Adjust Distorted Letters or Numbers



Compressed Letters or Numbers:

Correct by turning the feed balance dial toward the "+".

Drawn Out Letters or Numbers:

Correct by turning the feed balance dial toward the "-".

SECTION 6. PERFORMANCE PROBLEMS CHART

What to do When

Condition	Cause	Reference
The needle thread breaks.	<ol style="list-style-type: none"> 1. The needle thread is not threaded properly. 2. The needle thread tension is too tight. 3. The needle is bent or blunt. 4. The needle is incorrectly inserted. 5. The needle thread and the bobbin thread are not set properly under (drawn to the rear of) the presser foot when sewing is starting. 6. The fabric is not drawn to the rear when sewing. 7. The thread is too heavy for the needle. 	<p>Refer to page 21 Refer to page 23 Refer to page 17 Refer to page 17 Refer to page 22</p> <p>Refer to page 47 Refer to page 17</p>
The bobbin thread breaks.	<ol style="list-style-type: none"> 1. The bobbin thread is not threaded properly in the bobbin holder. 2. Lint has collected in the bobbin holder. 3. The bobbin is damaged and doesn't turn smoothly. 	<p>Refer to page 20 Refer to page 99 Change the bobbin</p>
The needle breaks.	<ol style="list-style-type: none"> 1. The needle is incorrectly inserted. 2. The needle is bent or blunt. 3. The needle clamp screw is loose. 4. The tension of the needle thread is too tight. 5. The fabric is not drawn to the rear when sewing is finished. 6. The needle is too fine for the fabric being sewn. 	<p>Refer to page 17 Refer to page 17 Refer to page 17 Refer to page 23 Refer to page 47 Refer to page 17</p>
Screen is not clear.	<ol style="list-style-type: none"> 1. The sharpness of the liquid crystal display is not adjusted properly. 	<p>Refer to page 26 Readjust</p>
Skipped stitches.	<ol style="list-style-type: none"> 1. The needle is incorrectly inserted. 2. The needle is bent or blunt. 3. The needle and/or threads are not suitable for the work being sewn. 4. A blue tipped needle is not being used for sewing stretch, very fine fabrics and synthetics. 5. The needle thread is not threaded properly. 6. The presser foot pressure is not strong enough. 7. The wrong needle is used. 	<p>Refer to page 17 Refer to page 17 Refer to page 17 Refer to page 17</p> <p>Refer to page 21 Refer to page 8 Change the needle</p>

SECTION 6. PERFORMANCE PROBLEMS CHART

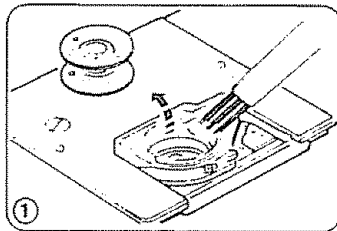
Condition	Cause	Reference
Seam puckering.	<ol style="list-style-type: none"> 1. The needle thread tension is too tight. 2. The needle thread is not threaded correctly. 3. The needle is too heavy for the fabric being sewn. 4. The stitch length is too long for the fabric. 5. The presser foot pressure is not correctly adjusted. 	Refer to page 23 Refer to page 21 Refer to page 17 Make stitch dense Refer to page 8
The cloth is not feeding smoothly.	<ol style="list-style-type: none"> 1. The feed dog is packed with lint. 2. The presser foot pressure is too weak. 3. The stitches are too fine. 4. The feed dog was not raised after "drop feed" was used. 	Refer to page 99 Refer to page 8 Make stitch coarsen Refer to page 32
Gathering.	<ol style="list-style-type: none"> 1. The needle thread tension is too loose. 2. The needle is too heavy or light for the fabrics being sewn. 	Refer to page 23 Refer to page 17
The machine doesn't work.	<ol style="list-style-type: none"> 1. The machine is not plugged in or plugs are not fully inserted. 2. A thread is caught in the hook race. 3. The bobbin winder spindle is kept in the winding position. 	Refer to page 7 Refer to page 99 Refer to page 19
Patterns are distorted.	<ol style="list-style-type: none"> 1. The bobbin winder spindle is kept in the winding position. 	Refer to page 19
The automatic buttonhole stitches are not working.	<ol style="list-style-type: none"> 1. The stitch length is not suitable for the fabric being sewn. 2. Interfacing is not used with stretch fabrics. 	Refer to page 68 Use interfacing
Noisy operation.	<ol style="list-style-type: none"> 1. There is thread caught in the hook race. 2. Lint has built up in the bobbin holder or hook race. 3. When turn on the power switch, slight resonant sound is coming out from the stepping motors. 	Refer to page 99 Refer to page 99 Not abnormal
Machine is stopped on the sewing, ignore the button you press or does not change the display on the LCD.	Safety circuit for static electricity countermeasure is working.	Turn off the power switch once, and turn on the power switch again.

Cleaning the Machine

To insure that your machine operates at its best, you need to keep the essential parts clean at all times.

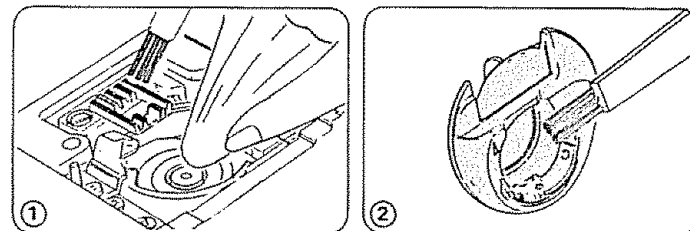
Unplug the machine and remove the presser foot and needle.

Cleaning the Bobbin Holder



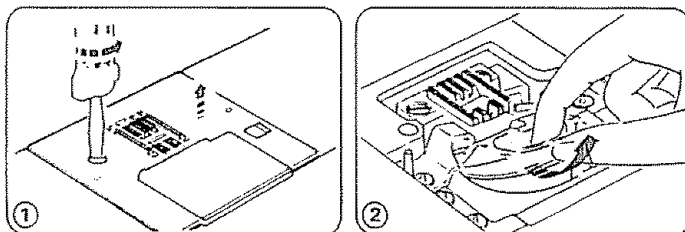
Remove the cover plate by sliding the hook cover plate release button to the right.
Take out the bobbin.
Brush out dust and lint. (You may also use a vacuum cleaner.)

Clean the Hook Race and Feed Dog



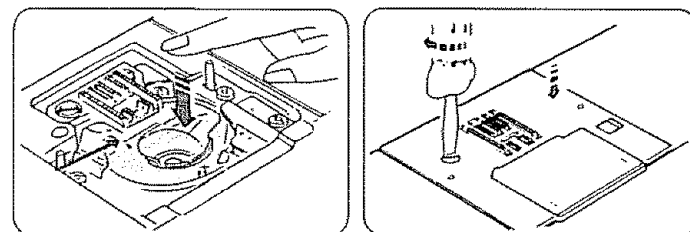
Clean the feed dogs, hook race and bobbin holder with the lint brush and a soft dry cloth.

Cleaning the Hook Race



Remove the set screw on the left hand side of the needle plate with the screwdriver supplied with the machine.
Remove the needle plate.
Take out the bobbin. Lift up the bobbin holder and remove it.

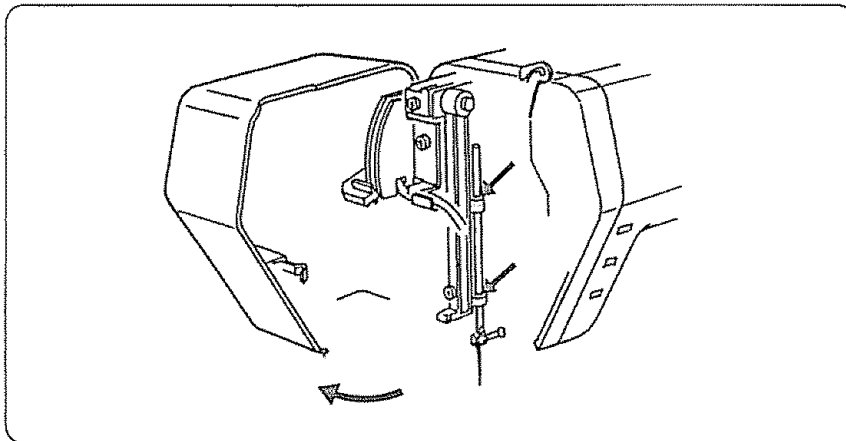
Assemble the Hook Race



Insert the bobbin holder so that the knob fits next to the stopper in the hook race.
Attach needle plate with screw.

SECTION 7. CARE FOR YOUR MACHINE

Oiling the Machine

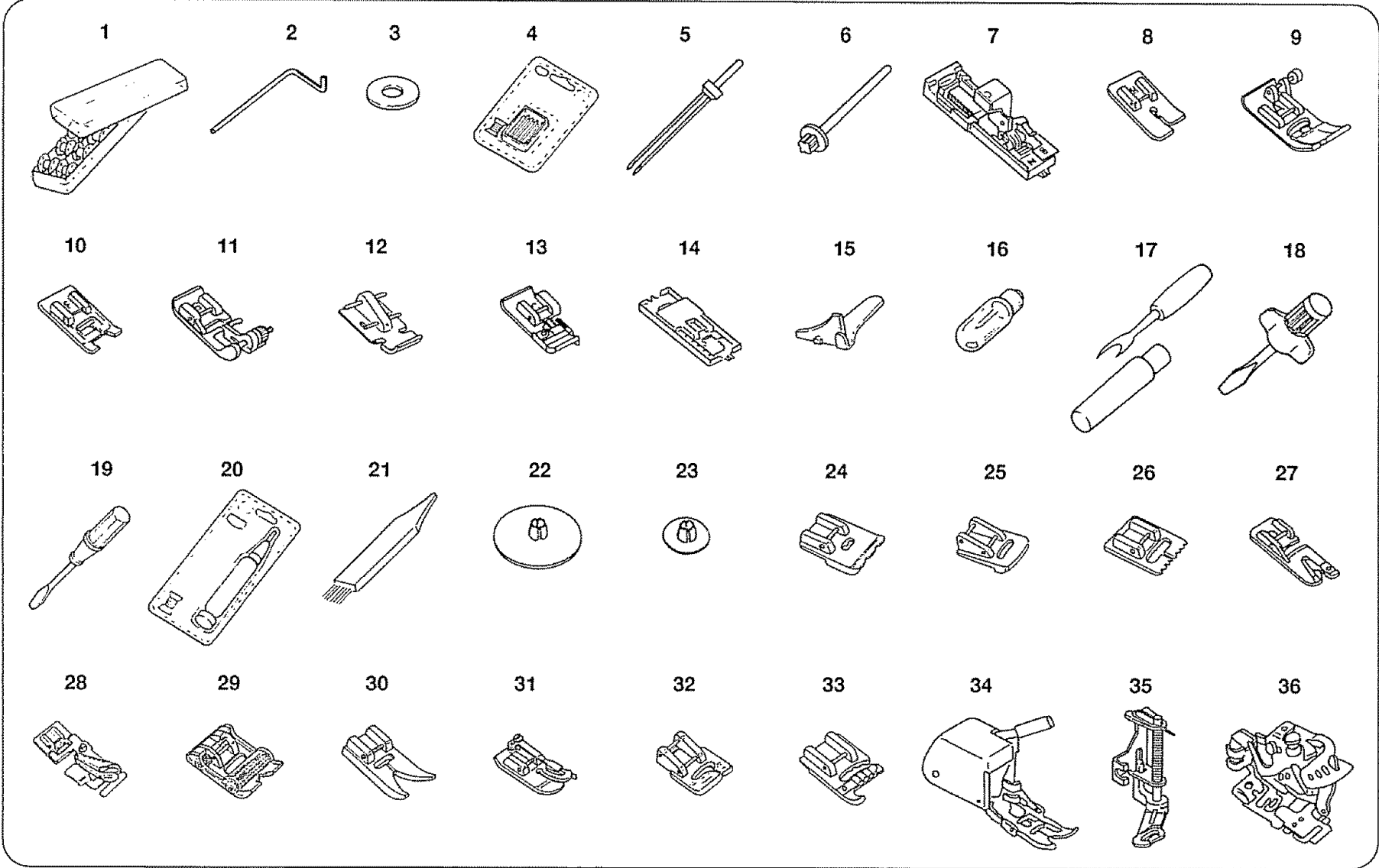


Open face cover plate and oil two points as shown below at least once a year.
One or two drops of oil is sufficient.
Remove excess oil; otherwise it may stain fabrics.

In case machine is not used for an extended time, oil it before sewing.
Use Kenmore sewing machine oil.

No other oiling is required.

PARTS LIST



All parts listed herein may be ordered from any Sears store or service center.

WHEN ORDERING REPAIR PARTS, ALWAYS GIVE THE FOLLOWING INFORMATION:

1. PART NUMBER
2. PART DESCRIPTION
3. MODEL NUMBER
4. NAME OF ITEM

if the parts you need are not stocked locally, your order will be electronically transmitted to a Sears Repair Parts Distribution Center for expedited handling.

Ref. No.	Ret. No.	Description
1	*102869107	Bobbin box with 10 bobbins
2	802422002	Quilter
3	102403202	Spool pin felt
4	813404013	No. 11 Stretch fabric needles (BLU)
	647814020	No. 11 Single needles (ORG)
	647814031	No. 14 Single needles (RED)
	647814042	No. 16 Single needles (PUR)
	647814053	No. 18 Single needles (GRN)
5	826815000	Twin needle
6	625031500	Additional spool pin
7	826801003	Automatic buttonhole foot
8	823801015	Straight stitch foot
9	822508005	Zigzag foot
10	822804118	Satin stitch foot
11	820817015	Blind hem stitch foot

12	823803006	Zipper foot
13	822801001	Overedge foot
14	826811006	Sliding buttonhole foot
15	*6864	Needle threader
16	000009906	Light bulb
17	647808009	Buttonhole opener
18	820832005	Large screw driver
19	647803004	Small screw driver
20	*6889	Oil and lint brush set
21	802424004	Lint brush
22	822020503	Large spool holder
23	822019509	Small spool holder
24	*200002008	Piping foot
25	*200003009	Gathering foot
26	*200005001	Pin-Tucking foot
27	*200013105	Hemmer foot
28	*200027102	Binder foot
29	*200028103	Roller foot
30	*200029104	Teflon foot
31	*200030108	1/4" Seam foot
32	*200031109	Applique foot
33	*200032100	Cording foot
34	*214872000	Walking foot
35	*654805008	Embroidery foot
36	*941620000	Ruffler

* These items are not furnished with the machine, but may be ordered per instructions above.

INDEX

A

Accessories 6
 Accessory storage box 5, 10
 Alphabet & numbers 91
 Appliqueing 43, 76
 "Auto-Lock" pattern 25
 Automatic buttonholing 66~68
 Automatic buttonhole foot
 12, 14, 46, 66~68, 101~102
 Automatic darning 43, 64~65
 Additional spool pin 18
 Auto-Lock button 25

B

Basting 33, 41
 Blind hemming 41, 43, 73
 Blind hem stitch foot
 12, 14, 41, 43, 101~102
 Bobbin 6, 18~22, 99, 101~102
 Bobbin thread 22~23
 Bobbin winding 18~19
 Bobbin winding spindle 6, 19
 Buttonhole 46, 66~71
 Buttonhole foot, automatic
 12, 14, 46, 66~68, 101~102
 Buttonhole foot, sliding
 12, 14, 43, 46, 64, 69~71, 101~102
 Buttonhole opener 6, 101~102
 Buttonholing buttons 26
 Button sewing 35

C

Carrying handle 6
 Cleaning bobbin holder 99
 Cleaning hook race and feed dogs 99
 Clear button 26, 28
 Corded buttonhole 71
 Cornering guide 31
 Control panel 26

Cross stitching 44, 83
 Cut-out work 43, 76

D

Darning 34
 Decorative stitching 45, 81~82
 Direct entry stitch button 27
 Display sharpness adjusting knob 26
 Distorted pattern 96
 Double edge zigzag stitching 42, 62
 Drop feed lever 6, 32

E

Editing button 26, 29
 Editing pattern combinations 94~95
 Elastic casings 44, 79
 Elastic stretch stitching 44, 79
 Extension table 5, 10

F

Fabric, needle, thread and stitch length
 chart 17
 Face cover plate 5
 Fagoting 78
 Feather stitching 42, 77
 Feed balance dial 5, 8, 96
 Foot control 6, 8
 Foot holder 15
 Foot storage compartment 12
 Free arm sewing 10, 11

G

Gathering 52

H

Hook cover plate 5, 18, 99

Hand wheel 6
 Hemming and edging stitching 72~73
 Horizontal spool pin 18

K

Knit stitching 42, 62

L

Large screw driver 6, 101~102
 LED light 27, 28
 Light and power switch 6
 Light bulb 101~102
 Lint brush 6, 99, 101~102
 Lock-a-Matic seam 40, 54

M

Mode button 27
 Machine plug 7
 Machine socket 7
 Manual buttonholing 69~70
 Memory button 26, 28
 Mending 40, 60
 Mirror image button 26, 28
 Monogramming 46, 92
 Message button 26, 30

N

Needle 16~17, 101~102
 Needle clamp 5, 17
 Needle plate 5, 31
 Needle position 49
 Needle set 6
 Needle, thread and fabric chart 17
 Needle threader 101~102

O

Oiling 100
Outline stretch stitching 41, 55
Overcasting stitching 59
Overedge foot 12, 13, 41~42, 101~102
Overedge seam 41, 61

P

Parts list 101~102
Pattern chart 26
Pattern memory 28
Pattern selection 27
Pattern selection button 26~27
Performance problems 97~98
Pintucking 50
Portable case 4
Power supply 7
Power supply plug 7
Power switch 7
Presser bar 15
Presser foot 5, 12~14
Presser foot lever 6, 9
Pressure adjusting lever 8
Program sewing 87~90

Q

Quilter 12, 13, 51, 101~102
Quilting 40, 51

R

Reinforcing stitching 77
Reverse stitch button 5, 25
Rick-Rack stretch stitching 44, 63

S

Saddle stitching 41, 56
Sand stitching 45, 85
Satin stitch foot 12~13, 43~46, 101~102
Satin stitching 58
Scallop stitching 42, 75
Seam guides 31
Sewing function chart 39
Sewing light 7
Sewing on heavy fabrics 32
Shading stitching 45, 86
Shell stitching 43, 74
Sliding buttonhole foot
. 12, 14, 46, 101~102
Small screw driver 6, 101~102
Smocking stretch stitching 44, 84
Spool pin felt 6
Stitch length/width control buttons
. 29, 49, 68
Stitch length/width decrease button 29
Stitch length/width increase button 29
Stitch pattern chart 5, 40~46
Straight stitch foot 12, 14, 47
Straight stitching 40, 47~49
Straight stretch stitching 53
Stretch stitching 40~45, 53,
55~56, 61~63, 75~80, 82~85, 87~89, 96

T

Take-up lever 5, 21
Thread cutter 5, 9
Thread guide 19, 21, 80
Thread spool pin 5
Thread tensions 23, 24
Thread tension control 5, 23
Thread chart 17
Top stitching 48
Top thread 21~24
Turning a square corner 31
Twin needle 6, 16, 80, 101~102

Twin needle button 26, 29, 80
Twin needle sewing 42, 80

U

Up/down needle position button
. 5, 15, 17, 22, 25~26

Z

Zigzag foot 12~13, 33, 40~42, 44, 47~48
51~58, 60, 62~63, 75, 77, 79, 80, 84, 101~102
Zigzag stitching 35, 40, 57~59
Zigzag overcasting 59
Zipper application 36~38
Zipper foot 12~13, 36~38, 101~102

WARRANTY

FULL 25-YEAR WARRANTY ON SEWING MACHINE HEAD

For 25 years from the date of purchase, Sears will, free of charge, repair defects in material or workmanship which appear in the mechanical components of the sewing machine head.

FULL TWO YEAR WARRANTY ON ELECTRICAL EQUIPMENT OF SEWING MACHINE

For two years from the date of purchase, Sears will, free of charge, repair defects in material or workmanship which appear in the electrical equipment of the sewing machine, including electronic components, motor, wiring, switch and speed control.

FULL 90-DAY WARRANTY ON ALL PARTS AND MECHANICAL ADJUSTMENTS

For 90 days from the date of purchase, Sears will, free of charge, replace any parts and provide mechanical service necessary for proper operation of the sewing machine, except for normal maintenance.

WARRANTY SERVICE IS AVAILABLE BY RETURNING THE SEWING MACHINE TO THE NEAREST SEARS SERVICE CENTER/DEPARTMENT IN THE UNITED STATES.

This warranty gives you specific legal rights, and you may also have other rights which vary from state to state.

SEARS, ROEBUCK AND CO., D/817 WA, Hoffman Estates, IL 60179

SEWING MACHINE

Now that you have purchased your Kenmore Sewing Machine, should a need ever exist for repair parts or service, simply contact your nearest Sears Service Center. Be sure to provide all pertinent facts when you call or visit.

The model number of your Sewing Machine will be shown on your nomenclature plate on the back of your Sewing Machine. See page 6 for location.

WHEN ORDERING REPAIR PARTS, ALWAYS GIVE THE FOLLOWING INFORMATION:

*PART NUMBER *PART DESCRIPTION *MODEL NUMBER *NAME OF ITEM

If the parts you need are not stocked locally, your order will be electronically transmitted to a Sears Repair Parts Distribution Center for handling.

SEARS, ROEBUCK AND CO., Chicago, IL60684 U.S.A.

Free Manuals Download Website

<http://myh66.com>

<http://usermanuals.us>

<http://www.somanuals.com>

<http://www.4manuals.cc>

<http://www.manual-lib.com>

<http://www.404manual.com>

<http://www.luxmanual.com>

<http://aubethermostatmanual.com>

Golf course search by state

<http://golfingnear.com>

Email search by domain

<http://emailbydomain.com>

Auto manuals search

<http://auto.somanuals.com>

TV manuals search

<http://tv.somanuals.com>