

Owners & Installation



131-3 Gas Inbuilt

Model: 131-NG3
131-LPG3

Manual



PLEASE KEEP THESE INSTRUCTIONS FOR FUTURE REFERENCE

LISTINGS AND CODE APPROVALS

These gas appliances have been tested in accordance with AS4553-2000, NZS 5262 and have been certified by the Australian Gas Association for installation and operation as described in these Installation and Operating Instructions.

Your unit should be serviced annually by an authorised service person.

WARNING:

Improper installation, adjustment, alteration, service or maintenance can cause injury or property damage. Refer to this manual. For assistance or additional information consult an authorised installer, service agency or the gas supplier.

FOR YOUR SAFETY

Do not store or use gasoline or other flammable vapours and liquids in the vicinity of this or any other appliance.

Installation and service must be performed by an authorised installer, service agency or the gas supplier.

FOR YOUR SAFETY

What to do if you smell gas:

- Do not try to light any appliance
- Do not touch any electrical switch: do not use any phone in your building.
- Immediately call your gas supplier from a neighbour's phone. Follow the gas supplier's instructions.
- If you cannot reach your gas supplier, call the fire department.

REGENCY GAS FIREPLACE INBUILT FIREPLACE

TO THE NEW OWNER

Congratulations! You are the owner of a state-of-the-art Gas Inbuilt Fireplace by Regency Industries. The Regency Gas Fireplace Series of hand crafted appliances has been designed to provide you with all the warmth and charm of a fireplace, at the flick of a switch. The model I31-3 of this series has been approved by Australian Gas Association for both safety and efficiency. As it also bears our own mark, it promises to provide you with economy, comfort and security for many trouble free years to follow. Please take a moment now to acquaint yourself with these instructions and the many features of your Regency Fireplace.

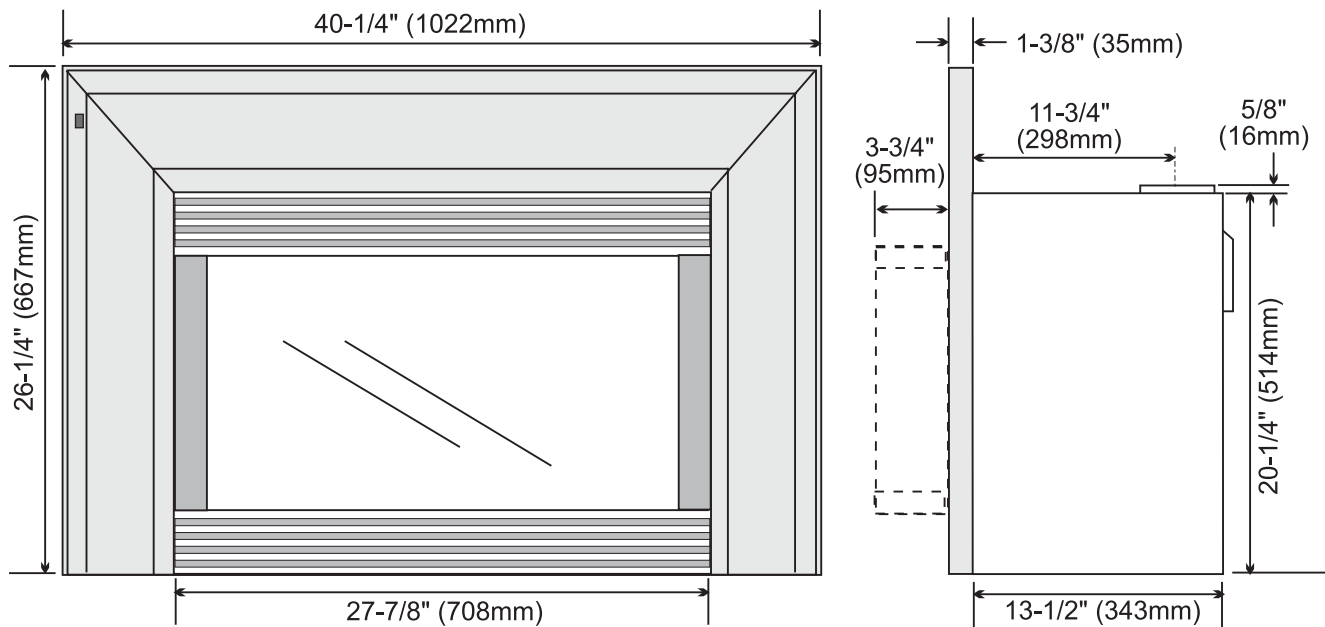


TABLE OF CONTENTS

REGENCY GAS FIREPLACE INSERT

| | Page | | Page |
|-----------------------|------|---|------|
| Unit Dimensions | 2 | | |
| Safety Label | 4 | | |
| | | Operating Instructions | |
| | | Operating Instructions | 16 |
| | | Lighting Procedure | 16 |
| | | Shutdown Procedure | 16 |
| | | First Fire | 16 |
| | | Automatic Convection Fan Operation | 16 |
| | | Normal Operating Sounds of Gas Appliances | 16 |
| | | Copy of Lighting Instruction Plate | 17 |
| | | | |
| | | Maintenance | |
| | | Maintenance | 18 |
| | | - Gold Plated Trim | 18 |
| | | - Log Replacement | 18 |
| | | - Door Glass Replacement | 18 |
| | | - Bay Glass Removal | 18 |
| | | - Flush Glass Replacement | 18 |
| | | - Glass Gasket | 19 |
| | | - Fan Maintenance | 19 |
| | | Trouble Shooting | 20 |
| | | | |
| | | Parts List | 21 |
| | | | |
| | | Warranty | |
| | | Warranty | 27 |

DATA BADGE

This is a copy of the label that accompanies each Regency I31-3 Gas Inbuilt fireplace. We have printed a copy of the contents here for your review.

DATA BADGE NOTE: Regency units are constantly being improved. Check the label on the unit and if there is a difference, the label on the unit is the correct one.

Regency Gas Fireplace

| Model | <input type="radio"/> | <input type="radio"/> | <input type="radio"/> | <input type="radio"/> |
|---|-----------------------|-----------------------|-----------------------|-----------------------|
| Gas Type | NG | LPG | NG | LPG |
| Model | P36-NG | P36-LPG | I31-3NG | I31-3LPG |
| Gas Consumption | 33mj. | 31mj. | 31mj. | 31mj. |
| Manifold Pressure | 1.0kPa | 2.7kPa | .9kPa | 2.59kPa |
| Injector Size -Front: | 1x#37 2.65mm | 1x#52 1.6mm | 1x#37 2.65mm | 1x#52 1.6mm |
| - Rear | NA | NA | NA | NA |
| AGA Approval number to Code AS4553-2000 | 5815 | 5815 | 5498 | 5498 |

Distributed by:

Western Australia:

Australian Heating Distributors Pty. Ltd.
31 Clune St.

Bayswater, WA, 6053

Eastern Australia:

Fireplace Products Australia Pty. Ltd.
21-23 South Link Blvd.
Dandenong, VIC 3175

To be installed in a non-combustible fireplace by an authorised person in accordance with installation instructions provided with the appliance. See P36 Clearance and I31 Zero Clearance Box instructions.

Electrical Conforms to AS3100 240V 50Hz 1.0 amp Max.

 **N2134**

Serial Number **241**

908-062d



- DO NOT** OPERATE THIS APPLIANCE BEFORE READING THE INSTRUCTIONS BOOKLET.
- DO NOT** PLACE ARTICLES ON OR AGAINST THIS APPLIANCE
- DO NOT** STORE CHEMICALS OR FLAMMABLE MATERIALS, OR SPRAY AEROSOLS NEAR THIS APPLIANCE.
- DO NOT** OPERATE WITH PANELS, COVERS OR GUARDS REMOVED FROM THIS APPLIANCE.
- DO NOT** ENCLOSE THIS APPLIANCE.

908-602

THE GUARD IS FITTED TO THIS APPLIANCE TO REDUCE THE RISK OR FIRE OR INJURY FROM BURNS AND NO PART OF IT SHOULD BE PERMANENTLY REMOVED.



FOR PROTECTION OF YOUNG CHILDREN OR THE INFIRM, A SECONDARY GUARD IS REQUIRED.

(Australia Only)

IMPORTANT: SAVE THESE INSTRUCTIONS

The Regency Gas Fireplace must be installed in accordance with these instructions. Carefully read all the instructions in this manual first.

Note: Failure to follow these instructions could cause a malfunction of the heater which could result in death, serious bodily injury, and/or property damage. Failure to follow these instructions may also void your fire insurance and/or warranty.

FOR YOUR SAFETY

This appliance requires air for proper combustion. Always provide adequate combustion and ventilation air. Follow instructions and information in the current AS5601-2004, NZS 5261 or local codes. Consult the "authority having jurisdiction" to determine the need for a permit prior to starting the installation.

GAS PIPE TESTING

The appliance must be isolated from the gas supply piping system by closing its individual manual shutoff valve during any pressure testing of the gas supply piping system at test pressures equal to or less than 3.45 kPa.

Specifications:

Fuel: NG or LPG (see page 7)
Electrical: 240 volt 50 hz system
Fan/Blower: 2-speed, 127 CFM
Log Sets: Ceramic fibre

BEFORE YOU START

Installation is to be carried out ONLY by an authorised person.

- 1) The appliance shall be installed in accordance with the manufacturer's installation instructions, local gas fitting regulations, municipal building codes, water supply regulations, electrical wiring regulations, with AS5601-2004. (AGA gas installation code) NZS 5261 (New Zealand)
- 2) **Installation and repair should be done ONLY by an authorised person.**
- 3) The appliance should be inspected before use and at least annually by an authorised service person. More frequent cleaning may be required due to excessive lint from carpeting, bedding material, etc. It is imperative that control compartments, burners

and circulating air passageways of the appliance be kept clean and free from excessive lint from carpeting.

- 4) See general construction and assembly instructions. This appliance may only be installed in a flued, non-combustible fireplace. The appliance and flue should be enclosed when installed or passing through a living area, where children may come in contact with it.
- 5) Always connect this space heater to a chimney and flue to the outside of the building envelope. Never flue to another room. Make sure that the flue is properly sized and is of adequate height to provide the proper draft.
- 6) Inspect the flueing system annually for blockage and any signs of deterioration.
- 7) Any safety glass removed for servicing must be replaced prior to operating the appliance.
- 8) To prevent injury, do not allow anyone who is unfamiliar with the operation to use the fireplace.
- 9) Installer must mechanically attach the supplied label to the inside of the firebox of the fireplace into which the gas fireplace insert is installed.
- 6) Test for flue spillage, page 7.
- 7) Install the optional brick panels. See page 8.
- 8) Install the log set. See page 8.
- 9) Assemble and install the faceplate and trim. See page 10.
- 10) Install the glass front (page 10) and optional Bay Front (page 11).
- 11) Install both louvres, flush (page 10) or Bay (page 11).
- 12) Install Optional Remote Control and Optional Wall Thermostat, page 15.
- 13) **Final check:** Before leaving this unit with the customer, the installer must ensure that the appliance is firing correctly. This includes:
 - a) Clocking the appliance to ensure the correct firing rate.
 - b) Adjusting the primary air, if required, to ensure that the flame does not carbon. See page 7.
 - c) Ensuring that the appliance is flueing correctly. See page 7.

“WARNING: This fireplace has been converted for use with a gas fireplace insert only and cannot be used for burning wood or solid fuels unless all original parts have been replaced, and the fireplace re-approved by the authority having jurisdiction.”

INSTALLATION CHECKLIST

The Regency Gas Insert is installed as listed below.

- 1) Unit Location - check Clearances to Combustibles on page 6.
- 2) Make the gas connections (see page 6).
- 3) Install the flue or liner to the sliding draft diverter. See page 7.
- 4) Install Flueing, page 7. Slide the unit into the fireplace. Attach draft diverter to the insert.
- 5) Test gas pressure, page 7. Check aeration, page 7.

MATERIALS REQUIRED

No electric power supply is required for the gas control to operate. A 240 Volt AC power cord is hooked up to the fan switch and blower. Plug 3 wire cord into a suitable receptacle. Do not cut the ground terminal off under any circumstances.

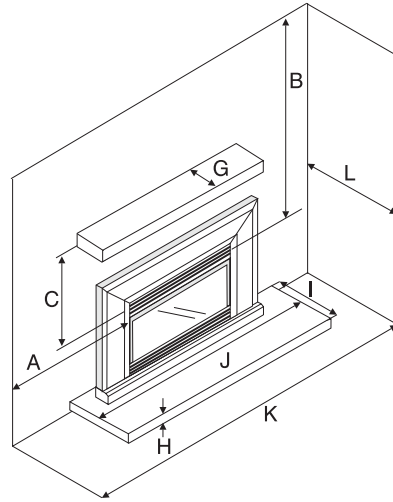
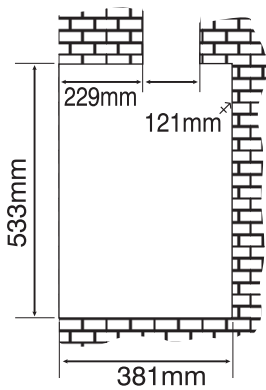
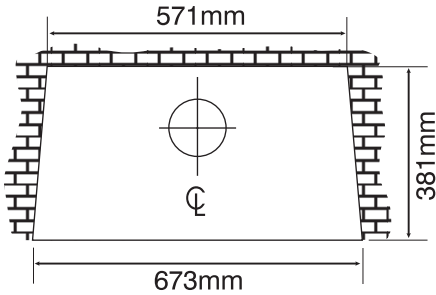
When connected with 240 volts, the appliance must be electrically grounded in accordance with local codes.

Note: This unit is equipped with a heat sensor thermodisc which will prevent the blower from operating until the unit reaches the correct temperature.

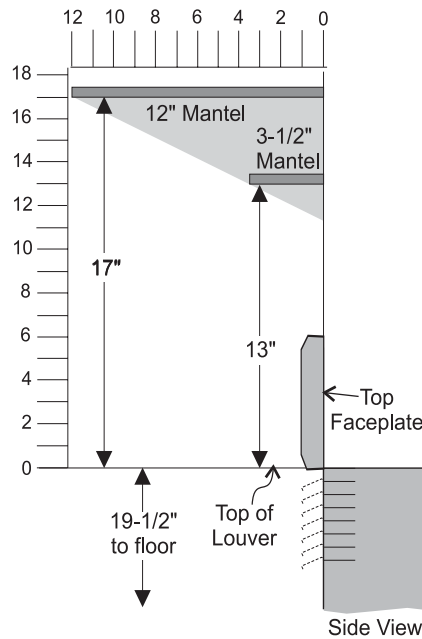
INSTALLATION

MINIMUM FIREPLACE DIMENSIONS

The minimum fireplace dimensions for the Regency gas space heater are shown in the following diagrams:



Mantel Clearances with Bay and Flush Louvers in Masonry Installation



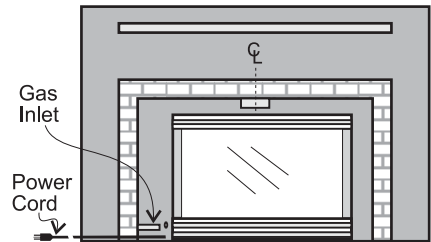
NOTE: Mantel clearances for installation into a Zero Clearance Kit are different. Please refer to the Zero Clearance Kit Manual for details.

Note: A non-combustible mantel may be installed at a lower height if the framing is made of metal studs covered with a non-combustible board.

GAS CONNECTION

GAS CONNECTION WARNING:
Only persons licensed to work with gas piping may make the necessary gas connections to this appliance.

- 1) If the appliance is to be installed into an existing chimney system, thoroughly clean the masonry or factory built fireplace.
- 2) The gas connection is 12" BSP.



- 3) Locate the center point where the flue will pass through the chimney above the appliance. Move the appliance into the exact location where it is to be installed. Ensure that the Insert is level.
- 4) The installer must provide a valve with a plugged tapping, accessible for test gauge connection, immediately upstream of the gas supply connection to the appliance.

CAUTION: If the glass is removed or opened for servicing, it must be replaced and closed prior to operating the appliance. The glass must be fixed in the door when operating.

MINIMUM CLEARANCES TO COMBUSTIBLES

The minimum fireplace clearances for the Regency gas space heater are shown in the following diagrams:

| | |
|----------------|-------------------------|
| | From Unit |
| Sides | A 255 mm |
| Ceiling | B 1205 mm |
| Mantle | C see Mantle Clearances |

**From Surround
(660 mm x 1016 mm)**

| | |
|--------------------------|-----------|
| Max. Mantle Depth | G 305 mm |
| Hearth Height | H 0 mm |
| Hearth Depth | I 405 mm |
| Hearth Width | J 1015 mm |
| Min. Alcove Width | K 1220 mm |
| Max. Alcove Depth | L 915 mm |

| SPECIFICATIONS | | |
|-------------------|------------------------------|------------------------------|
| | NG | LPG |
| INJECTOR SIZE | #37 2.65mm | #52 1.6mm |
| INPUT RATING | Min. 17 mj/h Max. 31 mj/h | Min. 17 mj/h Max. 31 mj/h |
| MANIFOLD PRESSURE | Max. 0.9 kPa | Max. 2.59 kPa |

DRAFT DIVERTER CONNECTION

- 1) Attach the flue to the flue collar on the detachable draft diverter. The flue collar of the appliance will fit inside a standard flue and may be fastened directly to the flue by sheet metal screw. Diagram 1.

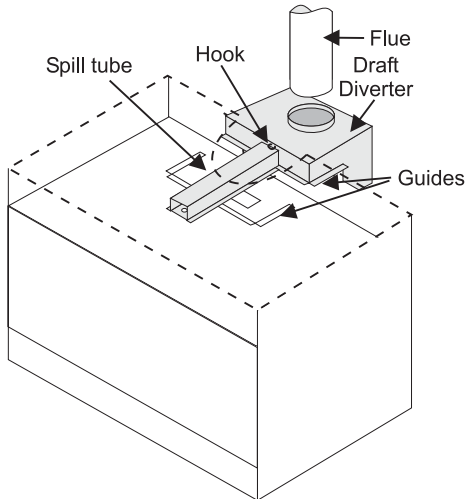


Diagram 1

- 2) Before pushing the appliance into position inside the fireplace, align the draft diverter with the guides on the insert top and push forward. While pushing the unit back into place keep pulling the draft diverter forward until the screw hole in the spill tube aligns with the screw hole in the top of the firebox. The screw is secured through the inside top of the firebox into the bottom of the spill tube. (If screw holes do not line up then draft diverter is not positioned correctly.) Diagram 2.

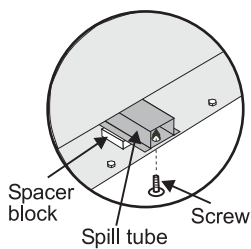


Diagram 2

NOTE: Final gas connection should be after unit is in place to avoid damage to line when pushing the unit into position.

FLUEING

THE APPLIANCE MUST NOT BE CONNECTED TO A CHIMNEY FLUE SERVING A SEPARATE SOLID FUEL BURNING APPLIANCE.

This appliance is designed to attach to a 100 mm diameter twin skin or listed gas fuel type flue liner running the full length of the chimney. A minimum flue height of 3.6 m. is recommended. The Regency Inbuilt Fireplace incorporates its own internal draft diverter, so no additional external draftdiverter is required.

Periodically check that the flue is unrestricted and an adequate draft is present when the unit is in operation. (See page 7 for spillage test.)

Before installing flue system ensure that the damper plate is open and secure to prevent the damper plate from falling down and crushing the liner.

Install to AS5601-2004,(Australia) NZS 5261 (New Zealand).

Combustion and Ventilation Air

WARNING: This appliance needs fresh air for safe operation and must be installed with provisions for adequate combustion and ventilation air available to the room in which it is to be operating.

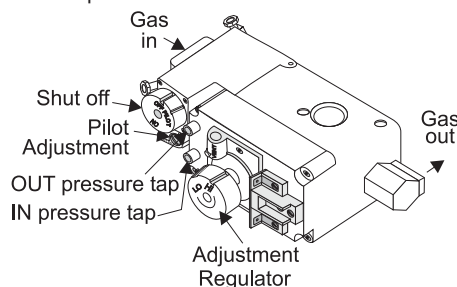
Air for combustion is drawn in through the front of the unit, therefore, the front of the unit must be kept clear of any obstructions.

GAS PRESSURE TEST

The unit is preset to give the correct gas input at the specified manifold pressures shown on the label. The maximum gas manifold pressure is:

| | |
|-----|----------|
| NG | 0.9 kPa |
| LPG | 2.65 kPa |

The manifold pressure is controlled by a regulator built into the gas control, and should be checked at the pressure test point. The pressure check should be carried out with the unit burning and the setting should be within the limits specified.



TEST FOR FLUE SPILLAGE

A " spillage" test must be made before the installed unit is left with the customer. Follow the procedure below:

- 1) Start all exhaust fans in the home and then close all external doors and windows in the house.
- 2) Light the unit and set controls to maximum. Turn fan off.
- 3) After five minutes, test that there is a "pull" on the flue by placing a smoke match, cigarette or similar device which gives off smoke, in front of the spill tube. To ensure a valid test, place a scrap piece of sheet metal (or other noncombustible material) between the spill tube and the upper louvre, this will prevent the natural convection of the unit from interfering with the test. See diagram 1.

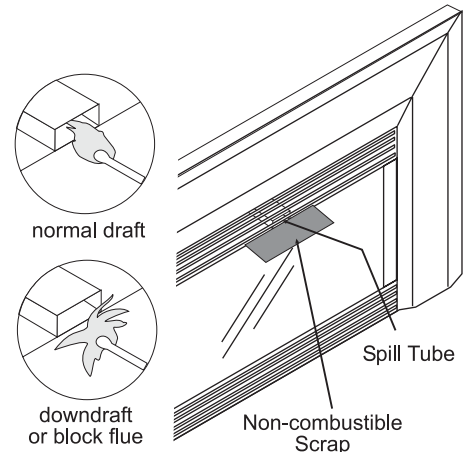
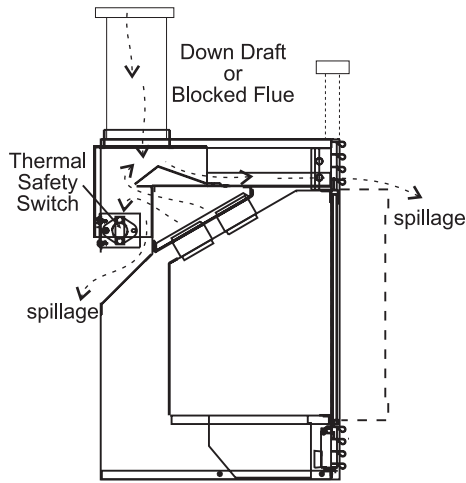


Diagram 1

INSTALLATION

The smoke should be drawn into the spill tube. If the smoke is still not drawn into the spill tube, turn the unit off and check for the cause of the lack of draft. If necessary, rectify.



For wind turbulent sites, a wind cap may remedy the problem.

Note: The thermally activated safety switch will sense the change in temperature and shut down the gas valve in the event of a severe downdraft or a blocked or disconnected flue. The switch acts as a safety shut-off to prevent a build-up of carbon monoxide. If the flue is blocked or has no "draw", the switch will automatically shut off the supply of gas within 5 - 10 minutes. Tampering with the switch can result in carbon monoxide (CO) poisoning and possible death.

If the heater turns off because of lack of draft during the spillage test, check for the cause and if necessary, rectify.

The thermally actuated safety switch will automatically reset after it has cooled off. The switch will continue to cycle until the draft problem is corrected. **DO NOT BY-PASS OR DISCONNECT THIS SWITCH.**

OPTIONAL BRICK PANEL

- 1) Unwrap the brick pattern panels from the protective wrapping.
- 2) Remove the glass front if it is already installed (see manual).
- 3) Put the rear brick panel flat against the back of the unit.
- 4) Before installing the side brick panels, loosen the screws for the brick tabs enough so that you can slide the brick tabs on to the screws easily but that the tabs are secure. For the location of the side brick tab screws see diagram 1.

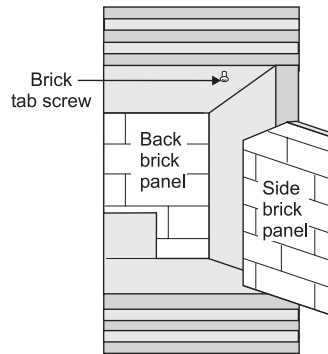


Diagram 1

- 5) Remove the brick tabs and slide the side brick panels into position. See diagram 2. Install the brick tabs. See diagram 2.

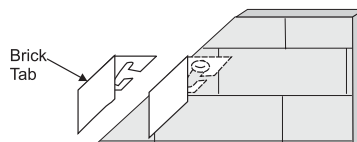


Diagram 2

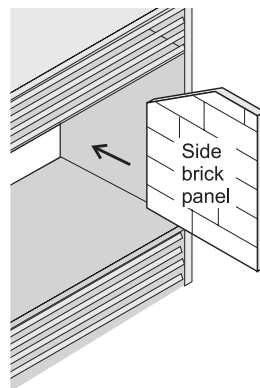


Diagram 3

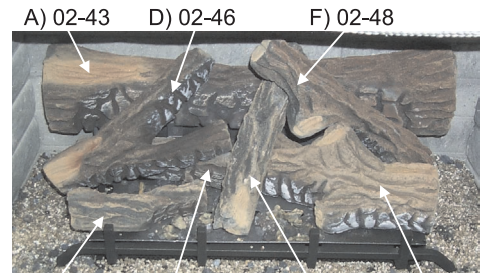
LOG SET INSTALLATION

Read the instructions below carefully and refer to the diagrams. If logs are broken do not use the unit until they are replaced. Broken logs can interfere with the pilot operation.

The gas log kit contains the following:

- | | | | |
|----|-----------------------------------|------------------|---------|
| a) | 02-43 | Rear Log | 902-227 |
| b) | 02-45 | Front Right Log | 902-229 |
| c) | 02-56 | Middle Left Log | 902-230 |
| d) | 02-46 | Left Top Log | 902-231 |
| e) | 02-47 | Center Log | 902-232 |
| f) | 02-48 | Middle Right Log | 902-226 |
| g) | 02-44 | Front Left Log | 902-228 |
| h) | Embers and Rockwool | | |
| i) | Vermiculite and Ember combination | | |

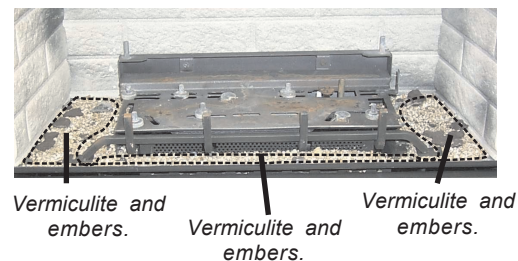
Note: Install Optional Brick Panels prior to installing logs.



G) 02-44 C) 02-56 E) 02-47 B) 02-45

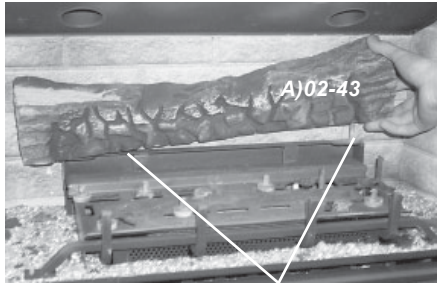
The "02" refer numbers (i.e. 02-43) are molded into the rear of each log.

- 1) Carefully remove the logs from the box and unwrap them. The logs are fragile, handle with care - **do not force into position.**
- 2) Sprinkle the vermiculite and ember combination around the firebox base.



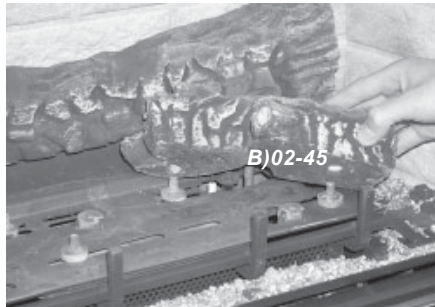
- 3) Place Rear Log A)02-43 on the two pins on the rear log support.

INSTALLATION

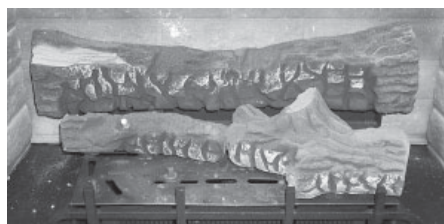
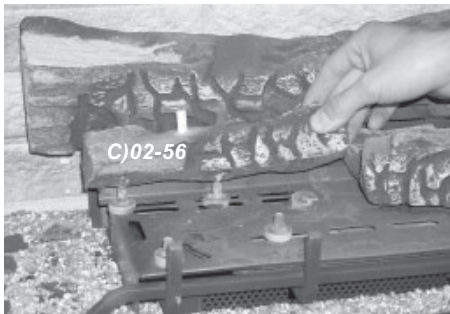


Pins on Rear Log Support

- 4) Place Front Right Log B)02-45 on the two pins as shown.

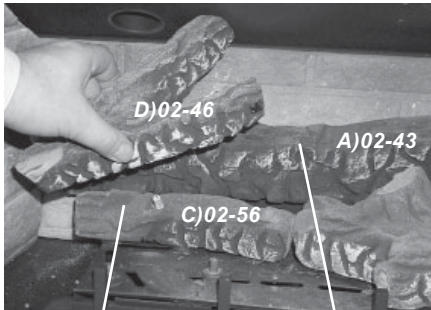


- 5) Place the Middle Left Log C)02-56 on the two pins as shown.



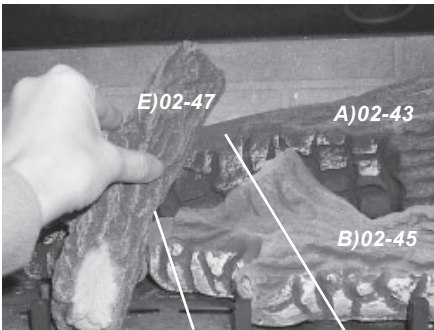
Logs A)02-43, C)02-56, and B)02-45 in position

- 6) Place the Left Top Log D)02-46 on the pin on Log C)02-56 and on top of the cutout on Log A)02-43.



Pin Cutout

- 7) Place the notch in Center Log E)02-47 over Log B)02-45 and across the cutout on Log A)02-43.

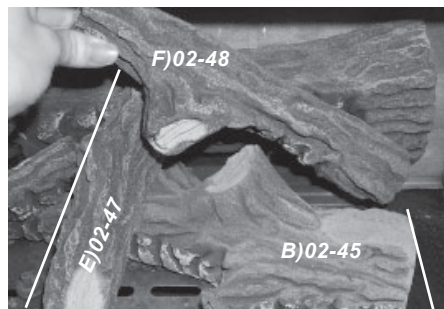


Notch Cutout

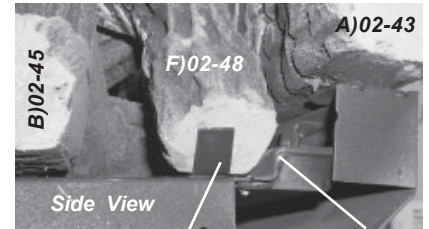


Logs D)02-46 and E)02-47 in position.

- 8) Position notch in Front Right Log F)02-48 on Log E)02-47 and push the bottom right edge against the bracket on the burner tray and the front edge of the rear burner.



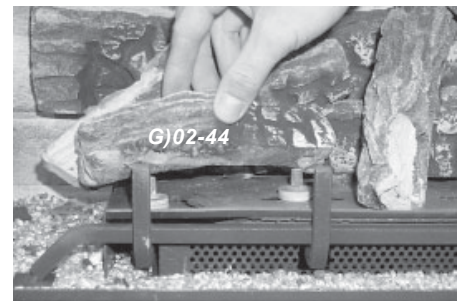
Notch Bracket



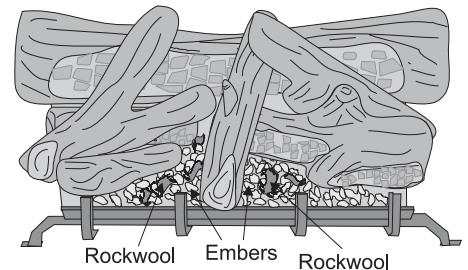
Bracket Front edge of rear burner

The bottom right edge of Log F)02-48 must sit snugly against the bracket and the front edge of the rear burner.

- 9) Place Front Left Log G)02-44 onto the 2 front pins as shown.

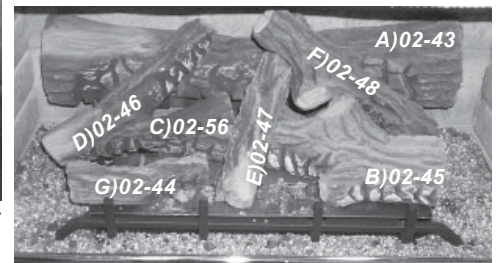


- 10) Place the embers and Rockwool on the exposed front burner tray.



- 11) Test fire to ensure proper light off (make sure flame flows smoothly from one end of burner to the other. If there is any flame hesitation, check that area for any blockage of the burner port.

- 12) Install flush glass and optional bay glass as per instructions in this manual.



INSTALLATION

FACEPLATE & TRIM INSTALLATION

- 1) Lay the faceplate panels flat, face down on something soft so they don't scratch.
- 2) Take the top faceplate and align the holes in it with the holes in the side panels. Using the screws provided, attach from the top of the panel (the holes in the top panel are slightly larger than the holes in the side panel to facilitate easier installation). See diagram 1.

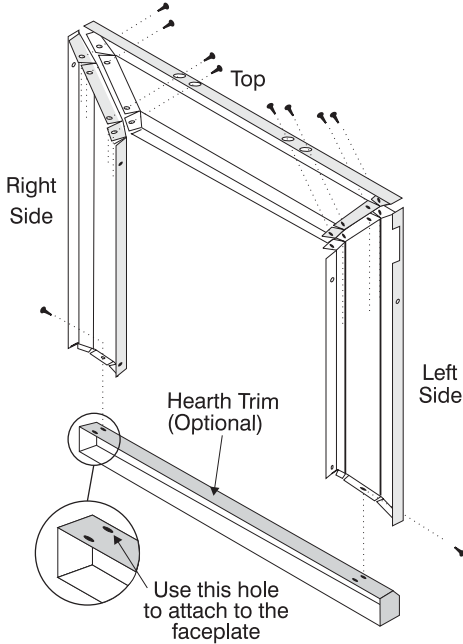


Diagram 1

Hint: Don't tighten the trim to the bottom of the faceplate side panels with the screws provided. See diagram 1.

- 3) Using the connectors provided, join the left side trim (with the ON/OFF switch) to the top trim. Connect the right side trim to the top trim. See diagram 2.

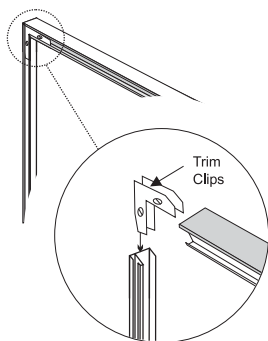
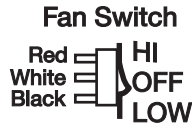


Diagram 2
Rear View: Trim Assembly

- 4) Place the trim on the assembled faceplate panels, aligning the wire connections from the switches with the notch on the left side panel.
- 5) Hookup the 3 Fan Switch wires to the fan switch on the left side trim. Diagram 3.



WARNING: The 3 wires are to the Fan and the 2 wires are to the ON/OFF burner switch. DO NOT connect to the wrong switch.

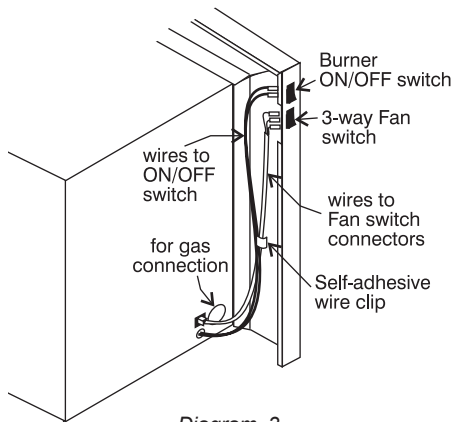


Diagram 3

WARNING:
Ensure that the wires do NOT touch the firebox

- 6) Connect the 2 burner ON/OFF switch wires by taking the yellow and orange wires with the female ends and connecting them to the burner ON/OFF switch.
- 7) Tuck the wires into the faceplate to keep them away from the inbuilt fireplace using the clip provided. Attach the clip to the rear of the faceplate to ensure that the wires do not touch the side of the unit. See diagram 3.
- 8) The power cord should be run behind the faceplate panel.
- 9) Attach the brass trim to the faceplate by drilling a 1/8" hole through into the faceplate using the hole in the trim as a guide. Fasten the trim to the faceplate panels using the plated screws. See diagram 4.
- 10) Attach the faceplate panels* to the inbuilt fireplace body using the 4 remaining black screws. See diagram 5.
- 11) Push the Regency logo plate into the two holes in the bottom left corner of the faceplate. See diagram 4.

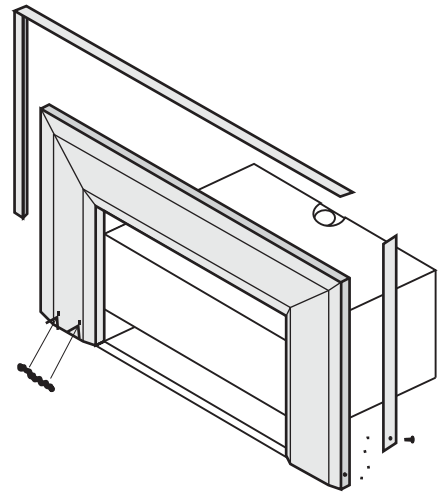


Diagram 4

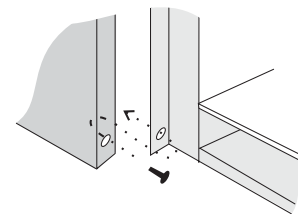
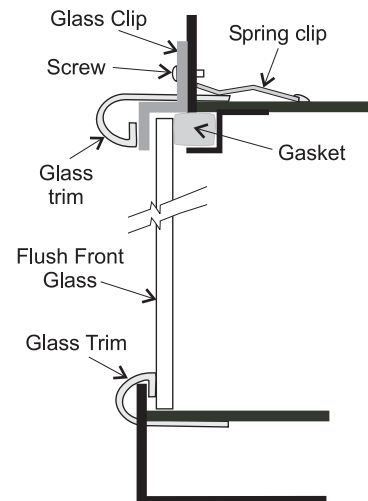


Diagram 5

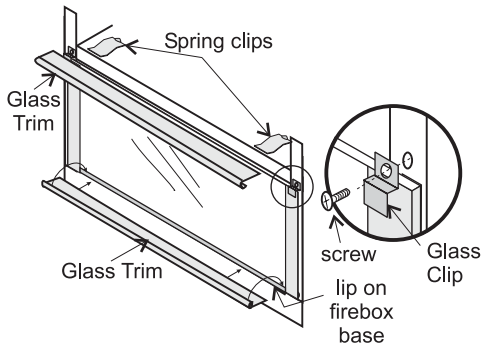
FLUSH FRONT INSTALLATION

- 1) Install Logs before going on to the next step. See the Log Installation instruction sheet or page 8 in the manual.
- 2) Install the bottom glass trim by hooking the trim into the lip on the firebox base. The trim will not fit into place if the glass is installed first.

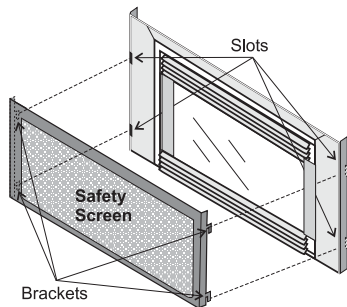


INSTALLATION

- Place the bottom of the flush glass behind the bottom glass trim.
- Secure the glass with the two glass clips at the top corners of the glass. Secure glass clips with the screws provided. Do not over tighten as this could break the glass.
- Slide in the top glass trim under the spring clips.



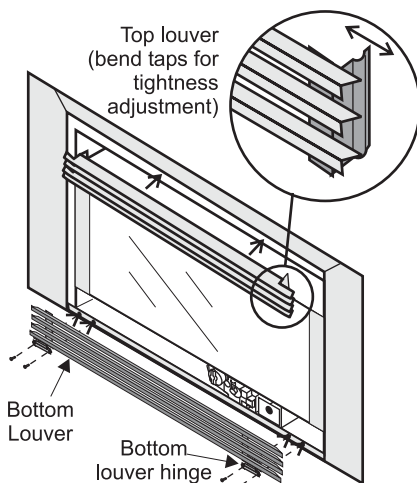
- Install safety screen (only in Australia) by inserting the 4 brackets into the 4 slots.



Note: Optional safety screen only in Australia.

FLUSH LOUVRES

- The top louver is held in place by friction fit, if the louver needs to be adjusted; bend the bracket out as shown in the diagram.

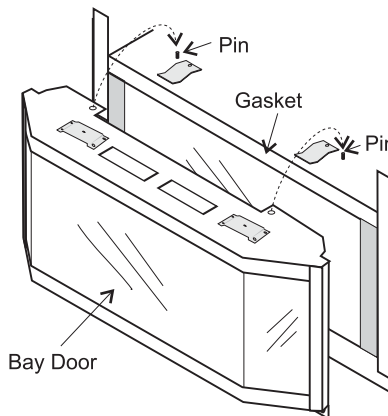


Note: Top and bottom louvres and brackets are different.

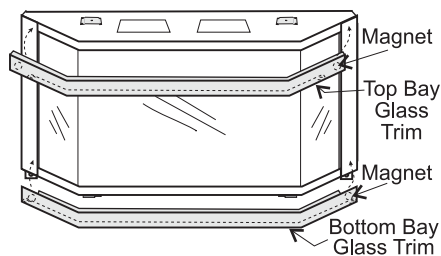
- The bottom louver has a hinge that is attached (2 screws per hinge) to the lip on bottom of the unit.

BAY FRONT INSTALLATION

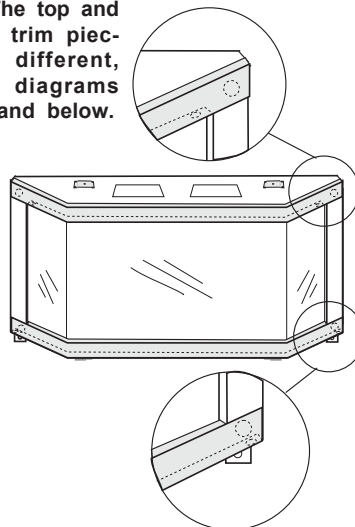
- Place the bay door onto the 2 pins on the top of the unit.



- Position 2 magnets on the back of each trim piece close to the ends. Place the top and bottom trim pieces on the bay front.



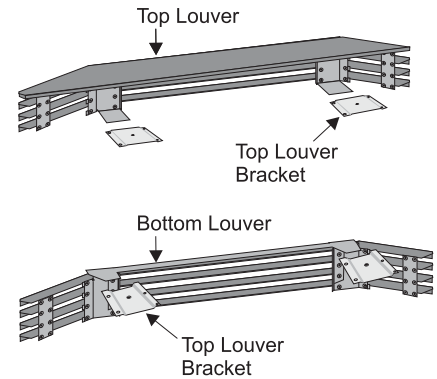
Note: The top and bottom trim pieces are different, check diagrams above and below.



- Install top and bottom louvres.

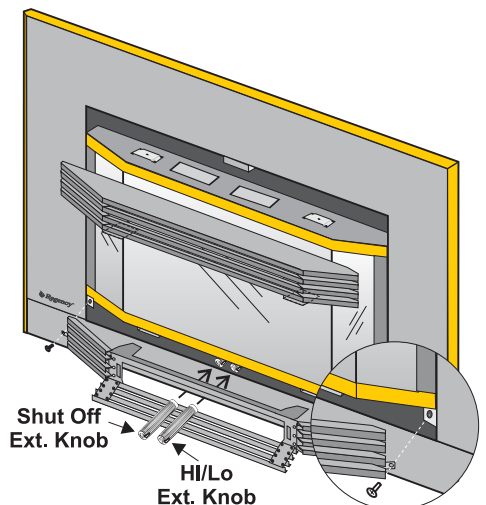
BAY LOUVRES

- Install top louver by sliding the two bracket clips into the brackets located on top of the bay door. See below. The fitted louver leaves a small gap between faceplate bottom and louver top.



- Install bottom louver by sliding the two bracket clips into the brackets located underneath the bay door and secure with 2 screws into the bracket on the bottom of the Bay Front as per diagram above.

- Slide the valve extension knobs onto the valve knobs. Match the correct ext. knob with the valve knob.



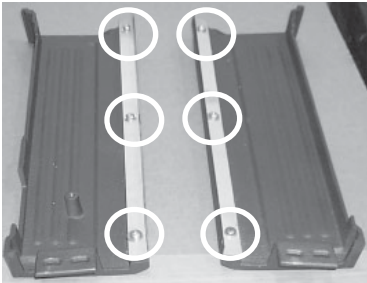
INSTALLATION

HAMPTON CAST FACEPLATE INSTALLATION

NOTE: Do not install Cast Faceplate when unit is installed into a Zero Clearance Unit.

- 1) Lay the faceplate panels flat, face down on something soft so they don't scratch.
- 2) Attach the side filler brackets to the left and right sides using 3 screws and washer per side.

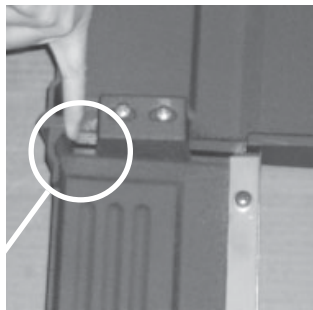
NOTE: There are filler brackets specifically for each side. The way to differentiate this is that on the side of the brackets there are 2 mounting holes. The side where there is a 7/16" gap from the top of the bracket to the mounting hole, must face the top.



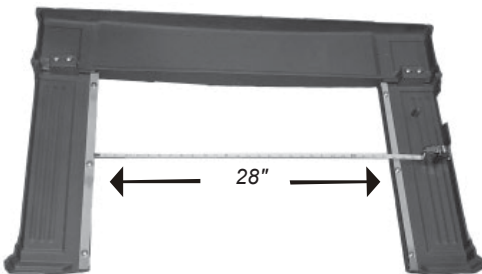
- 3) Attach the right and left cast sides to the top using 2 screws per side.



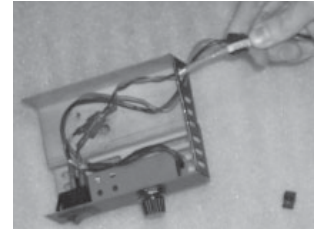
Ensure that the top and sides are aligned.



- 4) Use a measuring tape to ensure that the distance between the left and right side pieces is 28" (711mm).

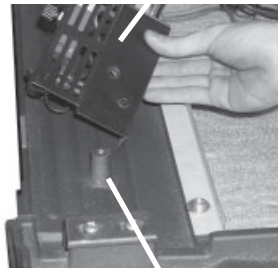


- 5) Connect the ON/OFF switch wires by taking the black and red wires with the blue female ends thru the hole provided and connecting them to the ON/OFF switch.
- 6) Connect the fan switch wires by taking the black and red wires with the male ends (in the grey harness) thru the hole provided and connect them with the wire connectors from the fan speed control.
- 7) Insert wires into the strain relief and install into switch box assembly.

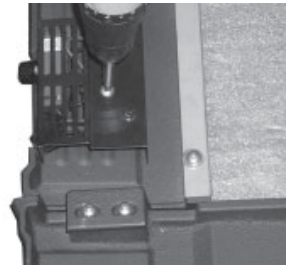


- 8) Place the switch box assembly over the boss on the rear left side piece and secure with one screw.

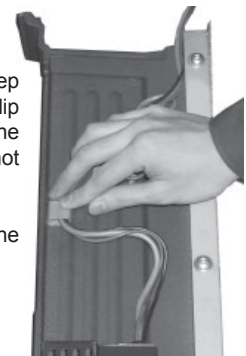
Switch Box Assembly



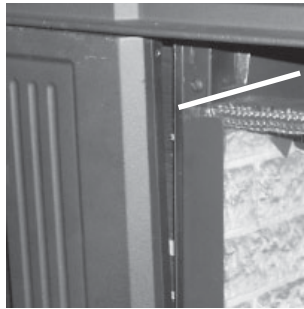
Boss on rear left side piece.



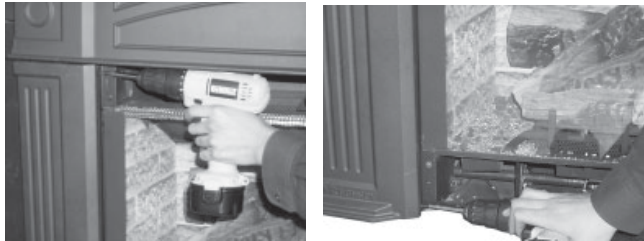
- 9) Tuck the wires into the faceplate to keep them away from the insert using the clip provided. Attach the clip to the rear of the faceplate to ensure that the wires do not touch the side of the unit.
- 10) The power cord should be run behind the faceplate panel.



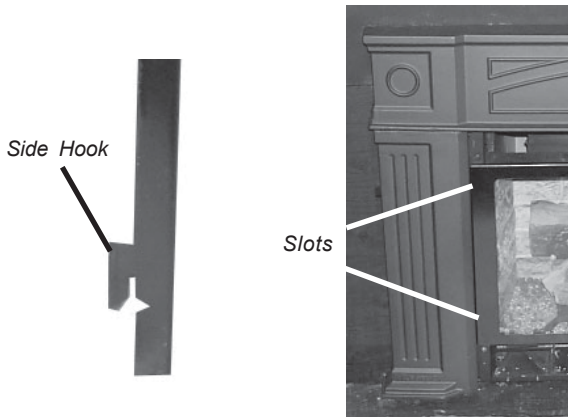
- 11) Mount the cast faceplate panels onto the insert body, sliding the side filler brackets into the space between the glass and the firebox. Secure using the 4 remaining black screws, 2 per side.



Slide side filler bracket into gap between glass and fire box.



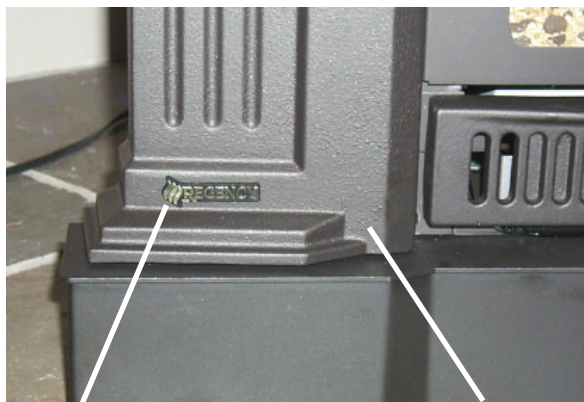
- 12) Install the glass trim by inserting the side hooks on the glass trim into the 4 slots between the faceplate and the glass. Push the glass trim down firmly with both hands to lock into place.



Side Hook

Slots

- 13) To put on the Regency logo, peel the sticker from the back of the logo and place it centered on the bottom left hand corner of the faceplate.



Regency Logo

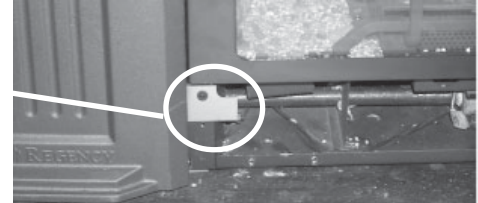
Left Hand Side Faceplate

HAMPTON CAST GRILL INSTALLATION

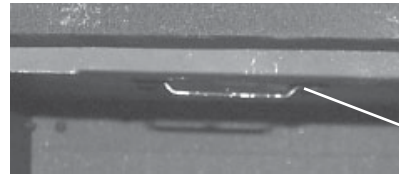
Before the grills are installed, a grill stop bracket needs to be put in place.

- 1) The grill stop bracket is installed in the bottom left corner just under the firebox with the screw supplied as shown below.

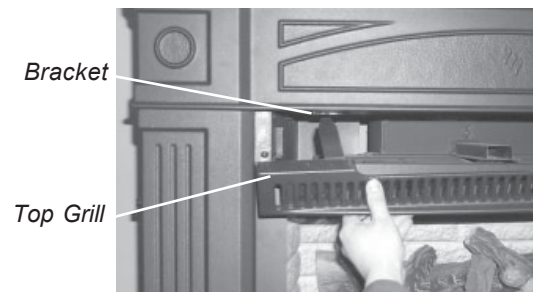
Grill Stop Bracket



- 2) Place top grill into brackets located inside top of firebox as shown.



Bracket inside top of firebox.

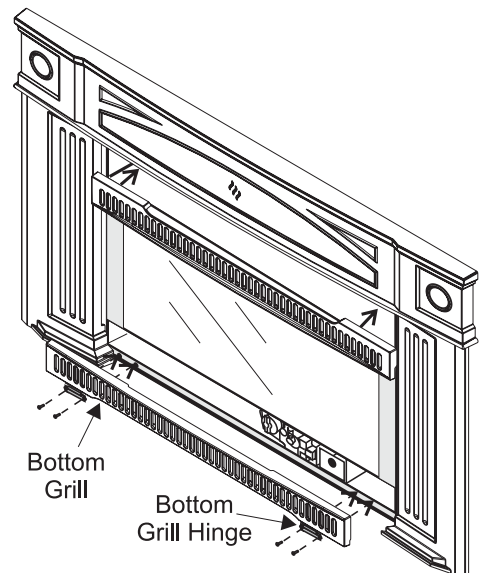


Bracket

Top Grill

Note: The top louver should be placed with the curved cut-out facing up.

- 3) The bottom louver, shown in the diagram below, has 2 hinges that are attached to the lip on bottom of the unit. Secure using 2 screws per hinge.



Bottom Grill

Bottom Grill Hinge

INSTALLATION

BAROSSA CURVED FRONT INSTALLATION

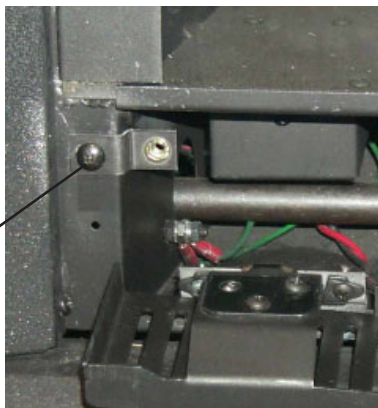
- 1) Install bottom louver by matching the holes in louver bracket with holes in firebox frame and secure using 2 screws on each side.



Secure louver by using 2 screws.



- 2) Pull down louver.
3) Fix brackets onto firebox, one on each side using 1 screw per side.

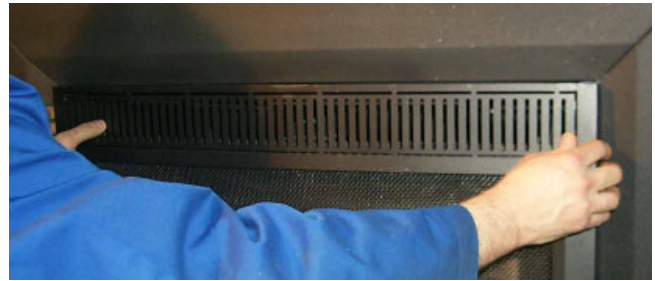


Secure bracket with screw.

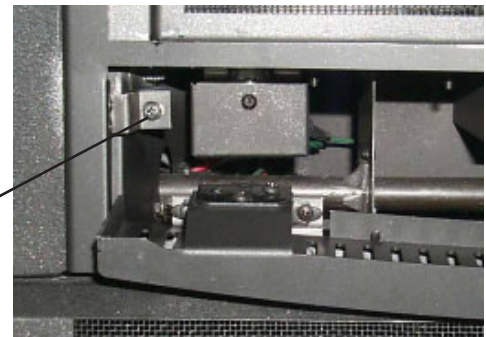
- 4) Fit plates on back of screen into brackets on top of firebox. Press in to secure from top.



Brackets on firebox.



- 5) Secure bottom of screen using 1 screw on each side into the brackets fixed onto the firebox in step 3.



Secure with screw.

- 6) Close louver.

OPTIONAL REMOTE CONTROL

Use the Optional Remote Control Kit approved for this unit. Use of other systems may void your warranty.

The remote control kit comes with a hand held transmitter, a receiver and a wall mounting plate.

- 1) Choose a convenient location on the wall to install the receiver and the receptacle box (protection from extreme heat is very important). Run wires from the fireplace to that location. Use Thermostat Wire Table.
- 2) Connect the two wires to the gas valve.
- 3) Install a 9V alkaline battery in both receiver and the transmitter. Install the receiver and

cover in the wall. The remote control is now ready for operation.

CAUTION
Do not connect the millivolt remote control wires to the 240V wires.

CAUTION
Do not connect the millivolt wall thermostat wires to the 240 V wires.

Thermostat Wire Table

Recommended Maximum Lead Length
(Two-Wire) When Using Wall
Thermostat (CP-2 System)

| Wire Size | Max. Length |
|-----------|-------------|
| 14 GA. | 15.24 m |
| 16 GA. | 9.75 m |
| 18 GA. | 6.10 m |
| 20 GA. | 3.66 m |
| 22 GA. | 2.71 m |

OPTIONAL WALL THERMOSTAT

A wall thermostat may be installed if desired. Use chart below to determine thermostat wire length.

Note: Preferable if the thermostat is installed on an interior wall.

Use a CSA, UCL or UL approved millivolt thermostat, 250-750 millivolt rated. A non-antipator type thermostat must be used.

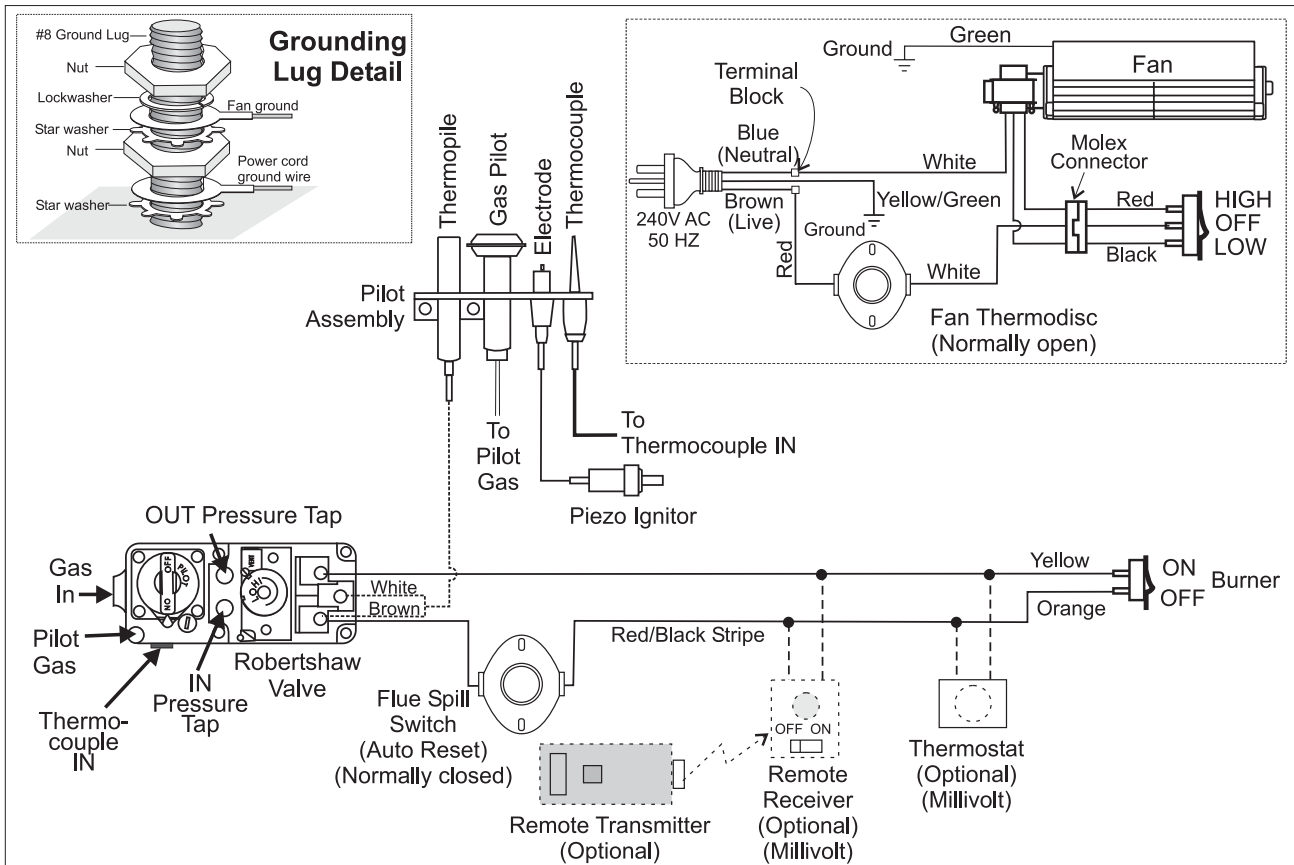
WIRING

No electrical power supply is required for the gas control to operate. However, a 240V A.C. power supply is needed for the fan/blower operation.

Caution: Ensure that the wires do not touch any hot surfaces and are away from sharp edges.

WARNING: Electrical Grounding Instructions
This appliance is equipped with a three pronged (grounding) plug for your protection against shock hazard and should be plugged directly into a properly grounded three-prong receptacle. Do not cut or remove the grounding prong from this plug.

CAUTION:
Label all wires prior to disconnection when servicing controls. Wiring errors can cause improper and dangerous operation.



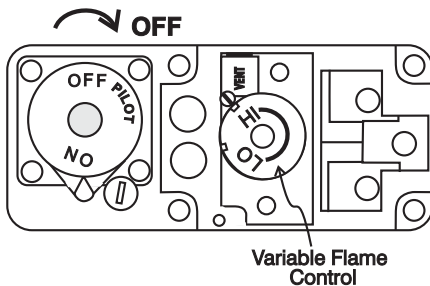
OPERATING INSTRUCTIONS

OPERATING INSTRUCTIONS

Before operating this appliance, proceed through the following check list.

- 1) Read and understand these Instructions before operating this appliance.
- 2) Check to see that all wiring is correct and enclosed to prevent possible shock.
- 3) Check to ensure there are no gas leaks.
- 4) Make sure the glass door is in place. Never operate the appliance with the door glass removed.
- 5) Verify that all flueing and the cap is unobstructed.
- 6) Verify log placement. If the pilot cannot be seen when lighting the unit - the logs or the embers have been incorrectly positioned.
- 7) The unit should never be turned off and on again without a minimum of a 60 second wait.
- 8) When lighting the appliance, the inside of the glass may fog up. This will burn off after a few minutes of operation.

DO NOT BURN THE APPLIANCE WITH THE GLASS ASSEMBLY REMOVED.



LIGHTING PROCEDURE

IMPORTANT: Gas cock knob cannot be turned from "PILOT" to "OFF" unless it is partially depressed.

- 1) Open the bottom louvre assembly
- 2) If the control knob is in the "OFF" position proceed to Step 5.
- 3) Push in gas control knob slightly and turn clockwise to "OFF". Knob cannot be turned from "PILOT" to "OFF" unless knob is pushed in slightly. Do not force.

- 4) Wait five minutes to allow gas, that may have accumulated in the main burner compartment, to escape. If you do smell gas, follow the instructions on the front of this manual. If you don't smell gas continue on to the next step.
- 5) Turn the gas control counter clockwise to "PILOT".
- 6) Push in control knob all the way and hold in. Continually push and release the black button on spark igniter until pilot lights. Continue to hold the control knob in for approximately one minute, then release the gas control knob. The pilot flame should continue to burn. If the pilot does not remain lit, repeat operation allowing a longer period before releasing gas control knob.
- 7) Turn gas control knob counter clockwise to "ON".
- 8) Use the rocker switch to operate main burner.
- 9) Rotate the variable flame control to adjust the flame height higher or lower.
- 10) Close the bottom louvre assembly.

SHUTDOWN PROCEDURE

- 1) Use the rocker switch to turn off the main burner.
- 2) Open the bottom louvre assembly.
- 3) Push in the gas control knob slightly and turn clockwise to "OFF". Do not force.
- 4) Disconnect all electric power and gas to the appliance if service is to be performed.

FIRST FIRE

The first fire in your stove is part of the paint curing process. To ensure that the paint is properly cured, it is recommended that you burn your fireplace for at least four (4) hours the first time you use it with the fan on. When first operated, the unit will release an odour caused by the curing of the paint, the burning off of any oils remaining from manufacturing. Smoke detectors in the house may go off at this time. Open a few windows to ventilate the room for a couple of hours.

The glass panel may require cleaning after the unit has cooled down.

DO NOT ATTEMPT TO CLEAN THE GLASS WHILE IT IS HOT.

Note: When the glass is cold and the appliance is lit, it may cause condensation and fog the glass. This condensation is normal and will disappear in a few minutes as the glass heats up.

DO NOT BURN THE APPLIANCE WITHOUT THE GLASS FRONT IN PLACE.

AUTOMATIC CONVECTION FAN OPERATION

The fan operates automatically, press the High/Low Fan switch on the side of the faceplate to adjust to the desired speed. The fan will turn on as the stove comes up to operating temperature. After the unit has been turned off and the unit cooled to below a useful heat output range the fan will shut off automatically.

NORMAL OPERATING SOUNDS OF GAS APPLIANCES

It is possible that you will hear some sounds from your gas appliance. This is perfectly normal due to the fact that there are various gauges and types of steel used within your appliance. Listed below are some examples. All are **normal operating sounds** and should not be considered as defects in your appliance.

Blower:

Regency gas appliances use high tech blowers to push heated air farther into the room. It is not unusual for the fan to make a "whirring" sound when ON. This sound will increase or decrease in volume depending on the speed setting of your fan speed control.

Burner Tray:

The burner tray is positioned directly under the burner tube(s) and logs and is made of a different gauge material from the rest of the firebox and body. Therefore, the varying thicknesses of steel will expand and contract at slightly different rates which can cause "tickling" and "cracking" sounds. You should also be aware that as there are temperature changes within the unit these sounds will likely re-occur. Again, this is normal for steel fireboxes.

Blower Thermodisc:

When this thermally activated switch turns ON it will create a small "clicking" sound. This is the switch contacts closing and is normal.

COPY OF LIGHTING INSTRUCTION PLATE

FOR YOUR SAFETY READ BEFORE LIGHTING

This appliance must be installed in accordance with local codes, if any; if none, follow the National Fuel Gas Code, ANSI Z223.1/NFPA 54, or Natural Gas and Propane Installations Codes, CSA B149.1. (Australia: AS5601-2004/ New Zealand: NZS 5261)

WARNING: If you do not follow these instructions exactly, a fire or explosion may result causing property damage, personal injury or loss of life. Improper installation, adjustment, alteration, service or maintenance can cause injury or property damage. Refer to the owner's information manual provided with this appliance. For assistance or additional information consult a qualified installer, service agency or gas supplier.

A) This appliance has a pilot which must be lighted by hand, following the instructions below exactly.

B) **BEFORE LIGHTING** smell all around the appliance area for gas. Be sure to smell next to the floor because some gas is heavier than air and will settle on the floor.

WHAT TO DO IF YOU SMELL GAS:

- Do not try to light any appliance.
- Do not touch any electric switch, do not use any phone in your building.
- Immediately call your gas supplier from a neighbors phone. Follow the gas supplier's instructions.
- If you cannot reach your gas supplier, call the fire department.

C) Use only your hand to push in or turn the gas control knob. Never use tools. If the knob will not push in or turn by hand, do not try to repair it, call

a qualified service technician. Force or attempted repair may result in a fire or explosion.

D) Do not use this appliance if any part has been under water. Immediately call a qualified service technician to inspect the appliance and to replace any part of the control system and any gas control which has been under water.

This appliance needs fresh air for safe operation and must be installed so there are provisions for adequate combustion and ventilation air.

CAUTION: Hot while in operation. Do not touch. Severe Burns may result. Due to high surface temperatures keep children, clothing and furniture, gasoline and other liquids having flammable vapors away. Keep burner and control compartment clean. See installation and operating instructions accompanying appliance.

LIGHTING INSTRUCTIONS

STOP! Read the safety information above on this label.

- 1) Push in gas control knob slightly and turn clockwise to "OFF". Knob cannot be turned from "PILOT" to "OFF" unless knob is pushed in slightly. Do not force.
- 2) Wait five (5) minutes to clear out any gas. If you then smell gas **STOP!** follow "B" in the safety information above on this label. If you do not smell gas, go to the next step.
- 3) Turn knob on gas control counterclockwise to "PILOT" .
- 4) Push in control knob all the way and hold in. Immediately push black button on spark igniter until pilot lights. Continue to hold the control knob in for about 1/2 minute after the pilot is lit.

Release knob and it will pop back up. Pilot should remain lit. If it goes out, repeat steps 3) and 4). If knob does not pop up when released, stop and immediately call your service technician or gas supplier. If the pilot will not stay lit after several tries, turn the gas control knob to "OFF" and call your service technician or gas supplier.

- 5) Turn gas control knob counterclockwise to "ON".
- 6) Use rocker switch to operate main burner.

TO TURN OFF GAS APPLIANCE

- 1) Push in the gas control knob slightly and turn clockwise to "OFF". Do not force.
- 2) Turn off all electric power to the appliance if service is to be performed.

You may shut off the pilot during prolonged non use periods to conserve fuel.

DO NOT REMOVE THIS INSTRUCTION PLATE

908-401c

MAINTENANCE INSTRUCTIONS

- 1) Always turn the gas valve to off before cleaning. For relighting, refer to lighting instructions. Keep the burner and control compartment clean by brushing and vacuuming at least once a year. When cleaning the logs, use a clean soft paint brush as the logs are fragile and easily damaged.
- 2) Clean (never when unit is hot) appliance, door and louvres with a damp cloth. Never use an abrasive cleaner. The gold louvres (and optional gold door) may be scratched if abrasives are used to clean them. The heater is finished in a heat resistant paint and should only be refinished with heat resistant paint (not with wall paint). Regency uses StoveBrite Paint - Metallic Black #6309.
- 3) Make a periodic check of burner for proper position and condition. Visually check the flame of the burner periodically, making sure the flames are steady; not lifting or floating. If there is a problem, call an authorised service person.
- 4) The appliance and flueing system must be inspected before use, and at least annually, by an authorised field service person, to ensure that the flow of combustion and ventilation air is not obstructed. During the annual service call, the burners should be removed from the burner tray and cleaned. Replace the embers but do not block the pilot.

- 5) Keep the area near the appliance clear and free from combustible materials, gasoline and other flammable vapours and liquids.

Pilot Flame:

While the pilot flame is on it can make a very slight "whisper" sound.

Gas Control Valve:

As the gas control valve turns ON and OFF, a dull clicking sound may be audible, this is normal operation of a gas regulator or valve.

Unit Body/Firebox:

Different types and thicknesses of steel will expand and contract at different rates resulting in some "cracking" and "ticking" sounds will be heard throughout the cycling process.

ANY SERVICING OR REPAIRS SHOULD BE CARRIED OUT ONLY BY AN AUTHORISED PERSON.

WARNING: CHILDREN AND ADULTS SHOULD BE ALERTED TO THE HAZARDS OF HIGH SURFACE TEMPERATURE AND SHOULD STAY AWAY TO AVOID BURNS OR CLOTHING IGNITION. YOUNG CHILDREN SHOULD BE CAREFULLY SUPERVISED WHEN THEY ARE IN THE SAME ROOM AS THE APPLIANCE.

MAINTENANCE

CAUTION: ANY SAFETY SCREEN OR GUARD REMOVED FOR SERVICING AN APPLIANCE MUST BE REPLACED PRIOR TO OPERATING THE APPLIANCE.

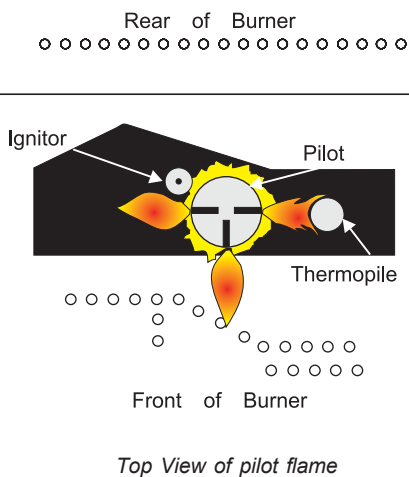
CLOTHING OR OTHER FLAMMABLE MATERIAL SHOULD NOT BE PLACED ON OR NEAR THE APPLIANCE.

- 6) Each time the appliance is lit, it may cause condensation and fog the glass. This condensation and fog is normal and will disappear in a few minutes as the glass heats up.

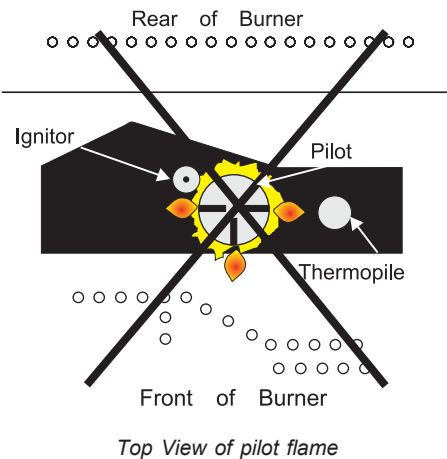
Never operate the appliance without the glass properly secured in place, with broken glass or with the door open.

- 7) Verify proper operation after servicing.
- 8) Periodically check the pilot flames, there should be three strong blue flames approx. 3/4" long - 1 flame to the front burner, and 1 to the thermopile and one to the left. See diagrams below.

Correct flame pattern has two strong blue flames: 1 flowing around the thermopile and 1 reaching towards the rear burner (it does not have to be touching the burner).



Incorrect flame pattern will have small, probably yellow flames, not coming into proper contact with the rear burner or thermopile.



If you have an incorrect flame pattern, contact your Regency dealer for further instructions.

WARNING
Do not spray aerosols in the vicinity of this appliance while in operation.

GOLD-PLATED TRIM

The 24 carat gold plated finish on the trim requires little maintenance, and need only be cleaned with a damp cloth. DO NOT use abrasive materials or chemical cleaners, as they may harm the finish and void the warranty.

Clean any fingerprints off before turning the unit on. If the top louvres start to discolour, check the door gasket seal and replace if necessary.

LOG REPLACEMENT

The unit should never be used with broken logs. Turn off the gas valve and allow the unit to cool before opening door to carefully remove the logs. The pilot light generates enough heat to burn someone. If for any reason a log should need replacement, you must use the proper replacement log. The position of these logs must be as shown in the diagram under Log Installation.

NOTE: Improper positioning of logs may create carbon build-up and will alter the unit's performance which is not covered under warranty.

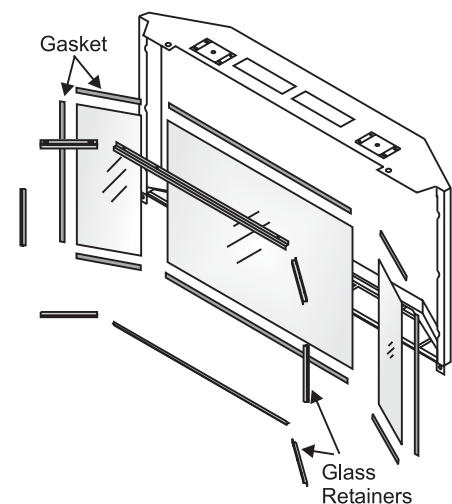
DOOR GLASS REPLACEMENT

Your Regency stove is supplied with high temperature, 5 mm Neoceram ceramic glass that will withstand the highest heat that your unit will produce. In the event that you break your glass by impact, purchase your replacement from an authorised Regency dealer only, and follow our step-by-step instructions for replacement.

WARNING: do not operate appliance with the glass front removed, cracked or broken. Replacement of the glass should be done by a licensed or authorised service person.

Bay Glass Removal

- 1) Remove the door from the unit and place on a soft surface to prevent scratching.
- 2) Remove the nuts holding the glass retainers in place.
- 3) Remove the glass retainers (sides, top and bottom).
- 4) Replace the glass. **The glass must have gasketing around it.**
- 5) Reverse the previous steps, replace the retainers and fasten with the nuts but do not over tighten, as this can break the glass.
- 6) Replace door on the stove and check the seal.



Flush Glass Replacement

Slide old glass out of the side frames and replace with new glass.

GLASS GASKET

If the glass gasket requires replacement use 7/8" flat glass gasket (Part # 936-243) for the Bay Front and for the Flush Front.

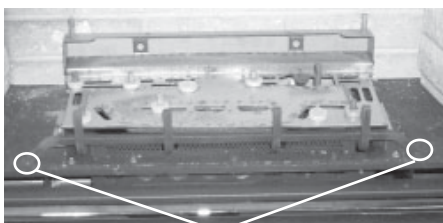
FAN MAINTENANCE

If your fan requires maintenance or replacement, access to the fan is through the plate on the rear wall of the firebox. **NOTE: the unit MUST NOT be operated without the fan access panel securely in place.**

CAUTION: Label all wires prior to disconnection when servicing controls. Wiring error can cause improper and dangerous operation.

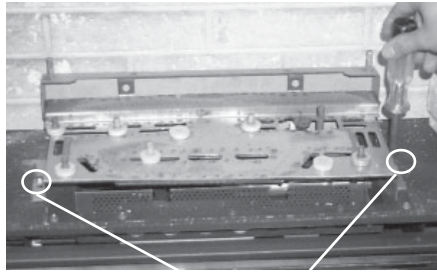
To remove fan:

- 1) Turn the unit off and allow it to cool to room temperature.
- 2) Unplug or disconnect power source to stove.
- 3) Remove glass front (see page 10).
- 4) Remove logs.
- 5) Remove brick panels.
- 6) Remove the Grate by removing the screws on each side of the grate.



Remove the 2 screws holding the grate in position.

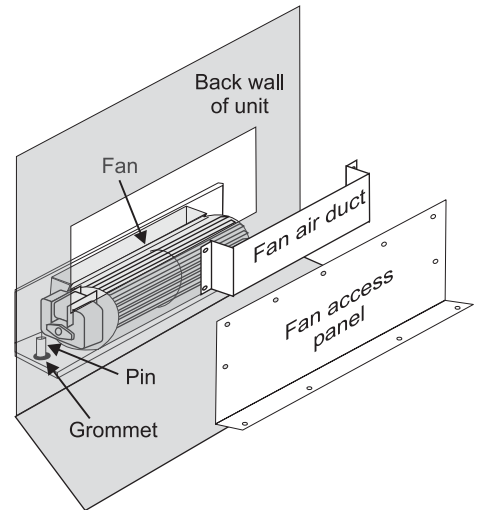
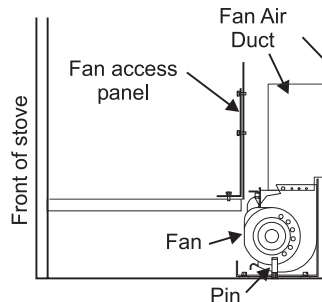
- 7) Remove the Burner Tray by removing the screws on each side of the tray. Push the tray to the left and lift up.



Remove the 2 screws, push Burner Tray to the left, and lift off.

- 8) Remove the 11 screws holding the Access Panel in place.

- 9) Remove the Fan Air Duct by removing 4 screws, 2 per side.



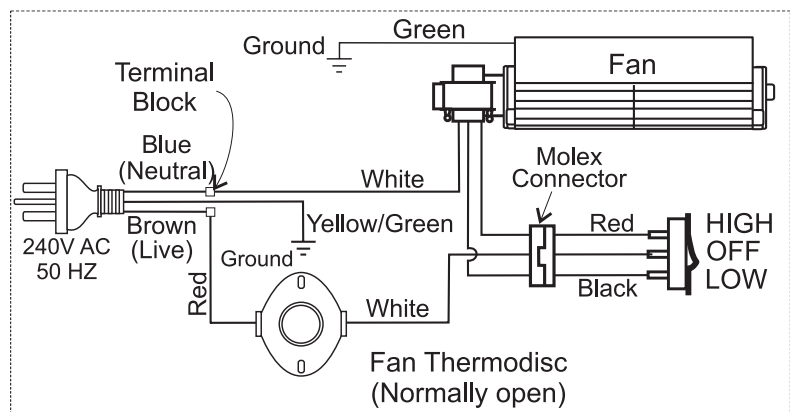
- 10) Unplug the black wires from the fan motor (from inside the stove).

- 11) Lift Fan Assembly off of the 2 pins, tip forward and pull through firebox opening.

- 12) Disconnect green wire from power cord.

Replacing fan:

Reverse above steps. Hint for pushing fan down onto pins - rub a bit of dish soap on the grommet so it will slide more easily onto the pin. Check to make sure the fan is seated properly on the pins, this is very important- try to move the fan back and forth, there should be no noise, if there is check that the grommets haven't come loose.



MAINTENANCE

| TROUBLE SHOOTING REGENCY GAS SPACE HEATER | | |
|--|---|---|
| SYMPTOM | PROBABLE CAUSE | CORRECTIVE ACTION |
| 1) Thin black coating [soot] forms on viewing glass. | a) Incorrect gas pressure b) Not enough combustion air | Check and correct gas pressure if sooting continues open aeration shutter on burner. Note: To clean glass, remove and wipe with cloth or paper towel |
| 2) A change in flame appearance or burner operations | a) A change in gas pressure b) Carbon dirt or lint | Check gas pressure. Clean out carbon, spider webs, lint etc. from burner area. |
| 3) No air flow | a) Fan failure | Check and replace fan assembly Check and replace fan switch Check and replace thermodisc |
| 4) Burners will not light. | a) Pilot flame out b) Control knob on pilot c) Low voltage from Thermopile. *280mil volts on pilot *120mil volts when main burner is on | Relight [follow lighting procedure completely] Adjust pilot. Thermopile, check and replace if faulty |
| 5) Pilot goes out. | a) Check thermocouple voltage | Replace thermocouple. |



SERVICE SHOULD BE CARRIED OUT BY AUTHORIZED PERSONNEL ONLY

ABNORMAL OPERATION

If main burner does not light but pilot stays on, shut down heater and contact your dealer. If excessive carbon on logs or glass contact your dealer for service.

THE MAJOR CAUSE OF OPERATING PROBLEMS WITH GAS HEATERS IS IMPROPER GAS PRESSURE

Such problems as changes in flame colour or configuration, burner outages, intermittent operations, changes in heat output, excessive burner noise, are nearly always the result of changes in gas pressure or improper gas pressure at time of installation.

THE MOST IMPORTANT ITEM TO CHECK DURING THE INSTALLATION AND THE FIRST THING TO CHECK WHEN PROBLEMS OCCUR IS GAS PRESSURE.

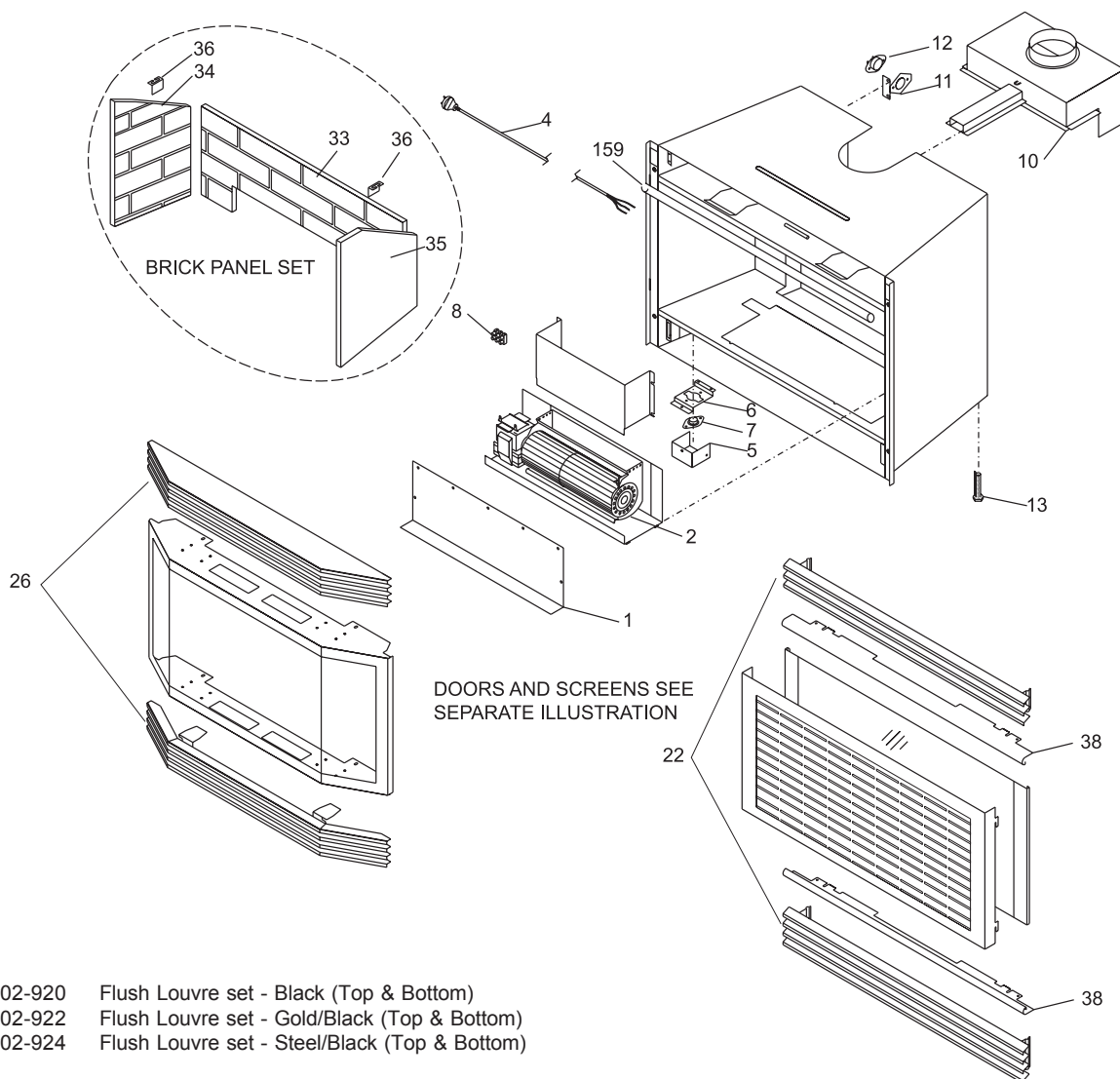
CHECK DATA PLATE FOR CORRECT PRESSURE SETTINGS

INCORRECT INSTALLATION OR GAS PRESSURE SETTINGS ARE NOT COVERED BY WARRANTY, A SERVICE OR CALLOUT FEE WILL BE CHARGED IN THESE CIRCUMSTANCES

MAIN ASSEMBLY

| Part # | Description | Part # | Description |
|--------|---|---------|------------------------------------|
| 1) | 400-011 Fan Opening Cover | 400-945 | Brick Panel (Set) |
| 2) | 910-169/P Fan Motor (240 V) | 33) | 902-255 Brick Panel - Back |
| 4) | 910-714 Power Cord 240 Volts | 34) | 902-176 Brick Panel - Left Side |
| | 910-707 Wire Harness (Fan end) | 35) | 902-177 Brick Panel - Right Side |
| | 910-771 Wire Harness (Faceplate) | 36) | 400-090 Brick Clips |
| 5) | 400-068 Thermodisc Cover Mounting Plate | | |
| 6) | 400-023 Thermodisc Bracket | 38) | 402-046 Glass Support Trim - Black |
| 7) | 910-142 Thermodisc-Fan Auto ON/OFF | 159) | 936-233 3/4" Rope Gasket |
| 8) | 910-006 Terminal Block | | |
| 10) | 400-540 Draft Diverter Assembly | | |
| 11) | * Spill Switch Bracket | | |
| 12) | 910-220 Spill Switch | | |
| 13) | * Levelling Bolts 5/16 x 3 Hex Head | | |
| | 948-216 Logo Plate | | |
| | 918-001 Manual - Regency | | |

*Not available as a replacement part.



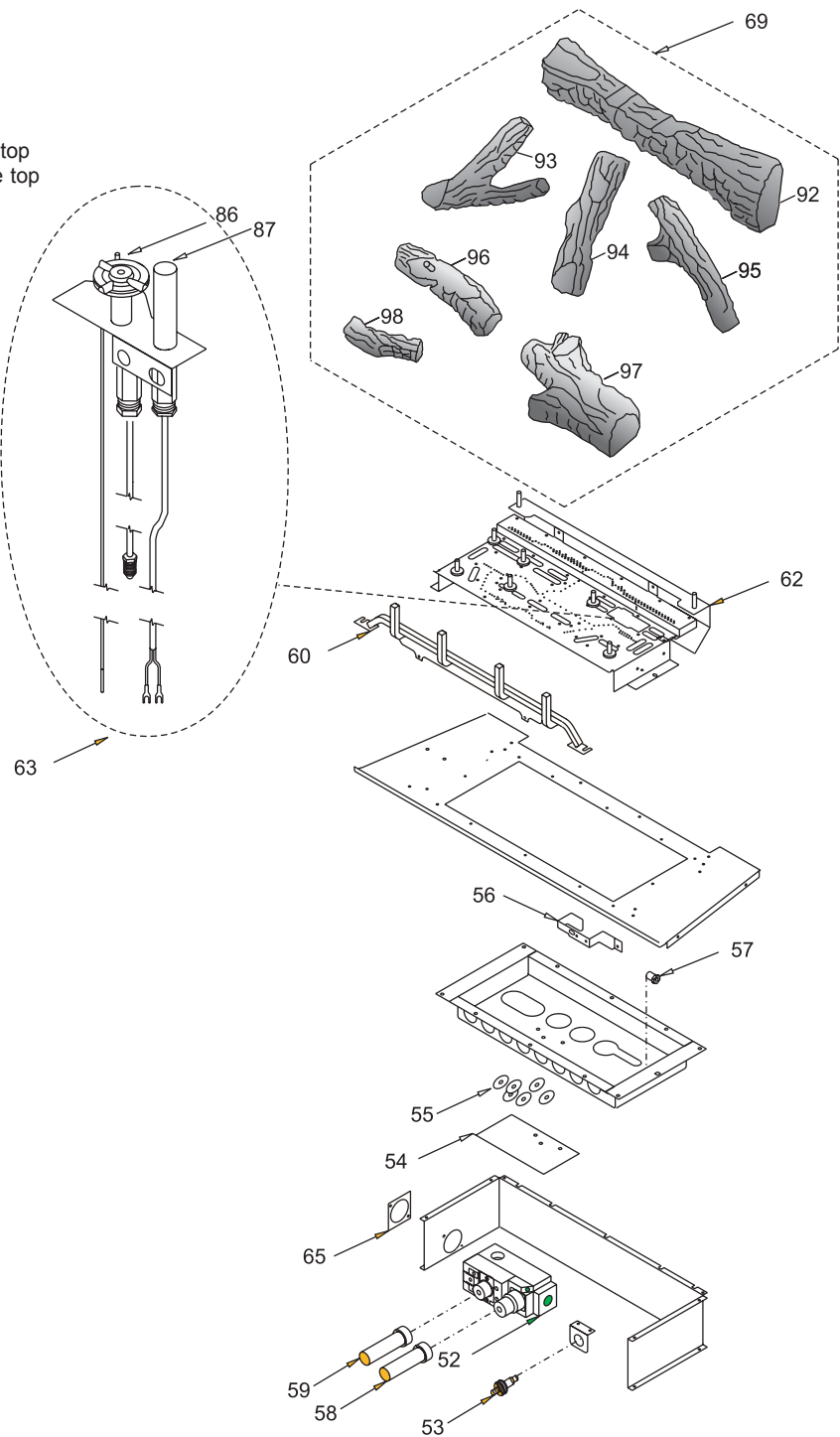
| | |
|-----|---|
| 22) | 402-920 Flush Louvre set - Black (Top & Bottom) |
| | 402-922 Flush Louvre set - Gold/Black (Top & Bottom) |
| | 402-924 Flush Louvre set - Steel/Black (Top & Bottom) |
| 26) | 400-990 Bay Louvre set - Black (Top & Bottom) |
| | 400-992 Bay Louvre set - Gold/Black (Top & Bottom) |
| | 400-993 Bay Louvre set - Steel/Black (Top & Bottom) |

PARTS LIST

BURNER ASSEMBLY & LOG SET

| Part # | Description |
|-------------|--|
| 402-565/P | Valve Assembly - NG |
| 402-566/P | Valve Assembly - LPG |
| 52) 910-026 | RobertShaw Valve - NG |
| 910-027 | RobertShaw Valve - LPG |
| 53) 910-190 | Piezo Ignitor and nut |
| 54) * | Valve Heat Shield |
| 55) 904-702 | Gasket - Valve Heat Shield |
| 56) * | Pilot Bracket |
| 57) 904-240 | Burner Orifice NG #37 |
| 904-390 | Burner Orifice LPG # 52 |
| 58) 910-424 | Pilot ON/OFF Extension Knob |
| 59) 910-426 | Flame HI/LOW Extension Knob |
| 60) 402-019 | Grate Assembly |
| 62) 402-537 | Burner Assembly - NG/LPG |
| 63) 910-034 | Pilot Assy (NG) - 3 flame convertible top |
| 910-035 | Pilot Assy (LPG) - 3 flame convertible top |
| 65) * | Burner Shroud Gasket |
| 69) 402-935 | Log Set |
| 402-572 | Ember Package |
| 86) 910-386 | Thermocouple |
| 87) 910-341 | Thermopile |
| 92) 902-267 | Rear Log |
| 93) 902-231 | Left Top Log |
| 94) 902-232 | Center Log |
| 95) 902-226 | Middle Right Log |
| 96) 902-230 | Middle Left Log |
| 97) 902-229 | Front Right Log |
| 98) 902-228 | Front Left Log |

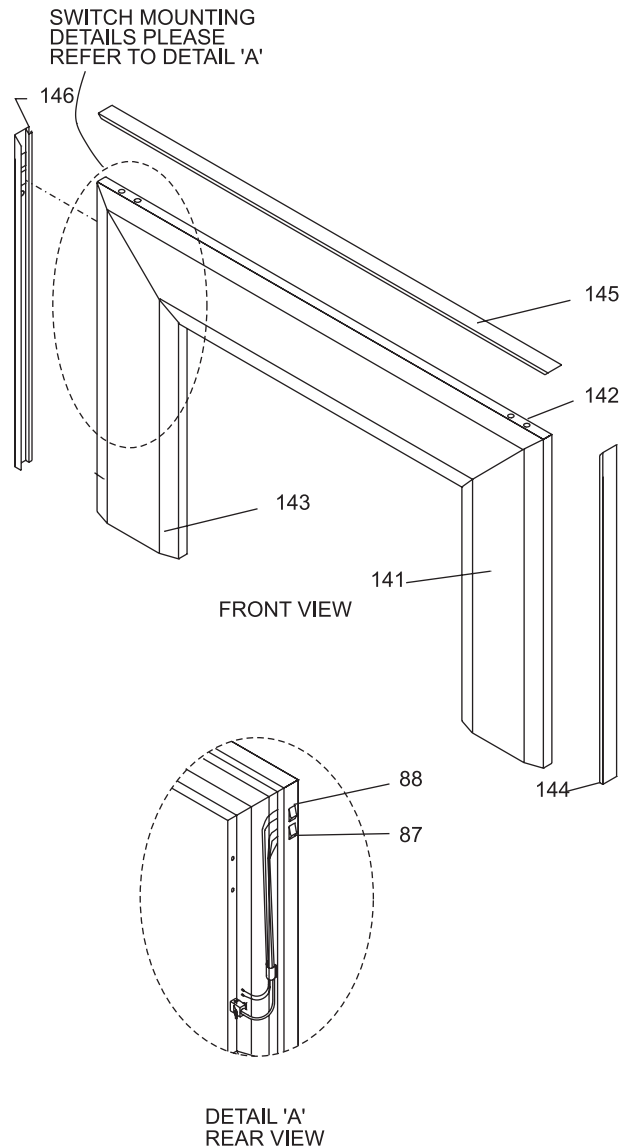
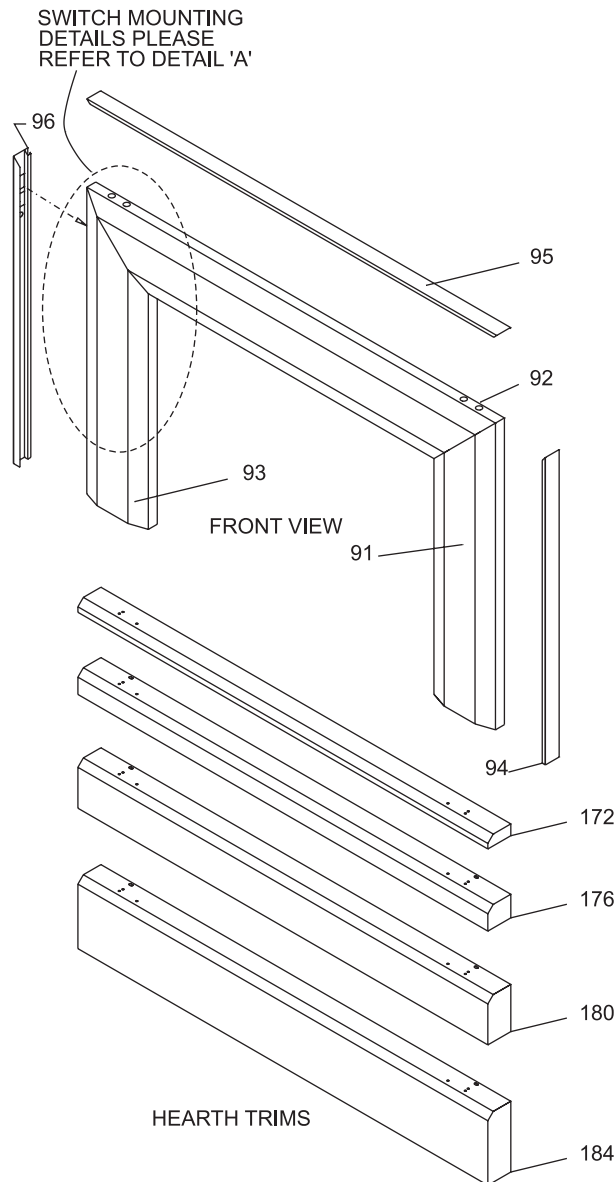
*Not available as a replacement part.



FACEPLATE ASSEMBLY

| Part # | Description | Part # | Description |
|--------|--|---------|---------------------------------------|
| 87) | 910-140 Fan HI/OFF/LOW Switch | 401-524 | Trims Packaged - Oversize |
| 88) | 910-246 Burner ON/OFF Switch | 144) | * Faceplate Trim Right - Oversize |
| | 403-912 Faceplate & Trim Complete - Regular | 145) | * Faceplate Trim Top - Oversize |
| 91) | * Faceplate Side Right - Regular | 146) | * Faceplate Trim Left Assy - Oversize |
| 92) | * Faceplate Top - Regular | 172) | 400-950 Hearth Trim 1" - Regular |
| 93) | * Faceplate Side Left - Regular | 320-940 | Hearth Trim 1" - Oversize |
| | 401-522 Trims Packaged - Regular | 176) | 400-926 Hearth Trim 2" - Regular |
| 94) | * Faceplate Trim Right - Regular | 320-942 | Hearth Trim 2" - Oversize |
| 95) | * Faceplate Trim Top - Regular | 180) | 400-928 Hearth Trim 4" - Regular |
| 96) | * Faceplate Trim Left Assy - Regular | 320-944 | Hearth Trim 4" - Oversize |
| | 403-913 Faceplate & Trim Complete - Oversize | 184) | 400-959 Hearth Trim 6" - Regular |
| 141) | * Faceplate Side Right - Oversize | 320-946 | Hearth Trim 6" - Oversize |
| 142) | * Faceplate Top - Oversize | | |
| 143) | * Faceplate Side Left - Oversize | | |

*Not available as a replacement part.

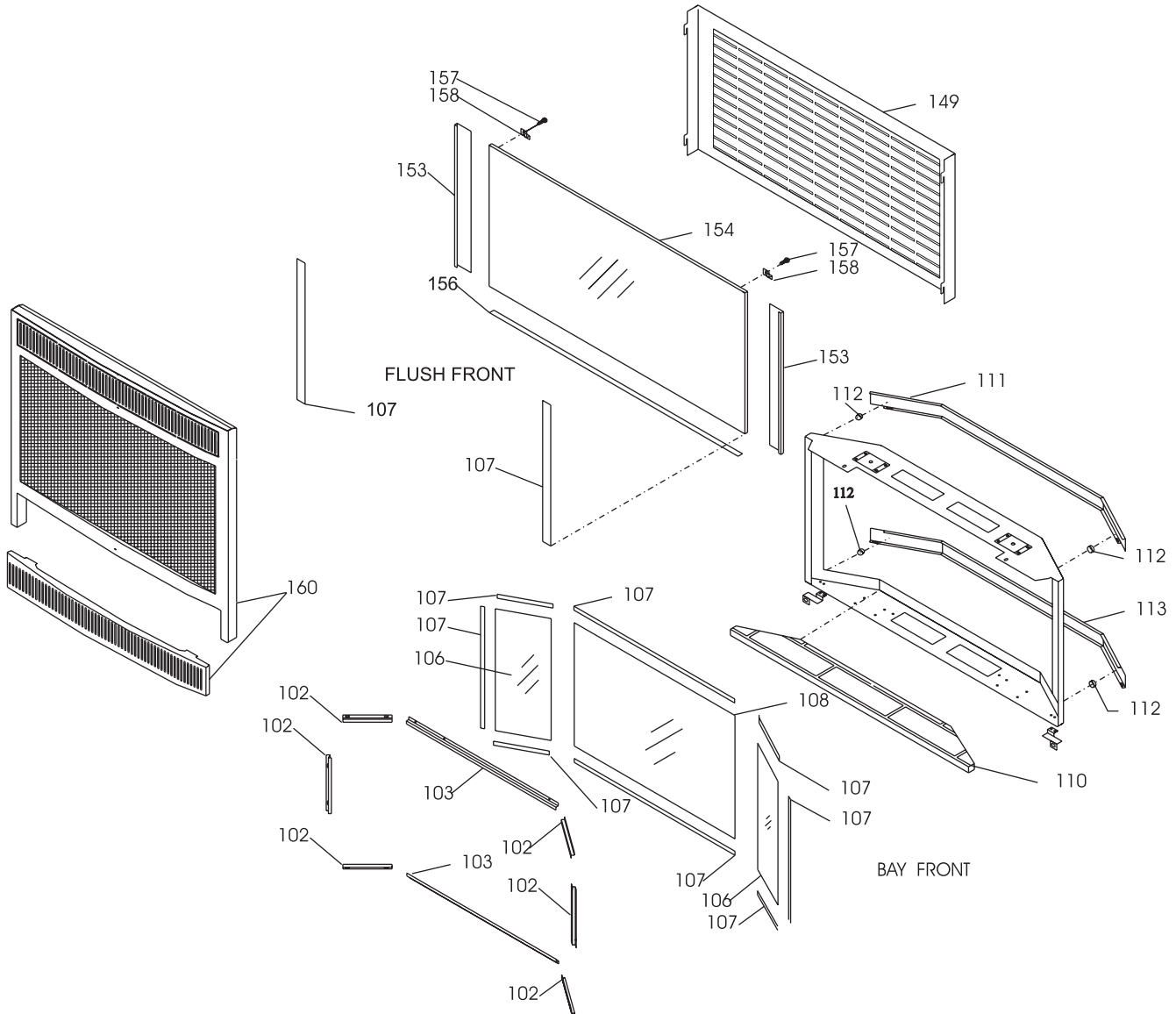


PARTS LIST

BAY & FLUSH FRONT ASSEMBLY

| Part # | Description | Part # | Description |
|-----------------|-----------------------------------|-------------------|--------------------------------------|
| Bay Door | | Flush Door | |
| 400-988 | Complete Bay Front c/w Black Trim | 149) 400-531/P | Flush Screen - Packaged (Aust. Only) |
| 102) * | Glass Retainer Side (Top & Btm) | 402-515/P | Complete Flush Front Assembly |
| 103) * | Glass Retainer Front (Top & Btm) | 107) 936-243 | Gasket |
| 106) 940-315/P | Side Glass | 153) * | Glass Side Trim |
| 107) 936-243 | Gasket | 154) * | Flush Glass |
| 108) 940-314/P | Center Glass | 156) 936-238 | Flush Glass Gasket |
| 110) 902-183 | Bay Brick Panel | 157) * | Screw #10-24 x 1/2" Truss Hd Machine |
| 400-935 | Bay Door Trim Set - Gold | 158) * | Flush Glass Bracket |
| 400-989 | Bay Door Trim Set - Steel | 160) 403-927 | Barossa Curved Front |
| 111) * | Bay Door Trim Top | | |
| 112) 904-196 | 1" Round Ceramic Magnet | | |
| 113) * | Bay Door Trim Bottom | | |

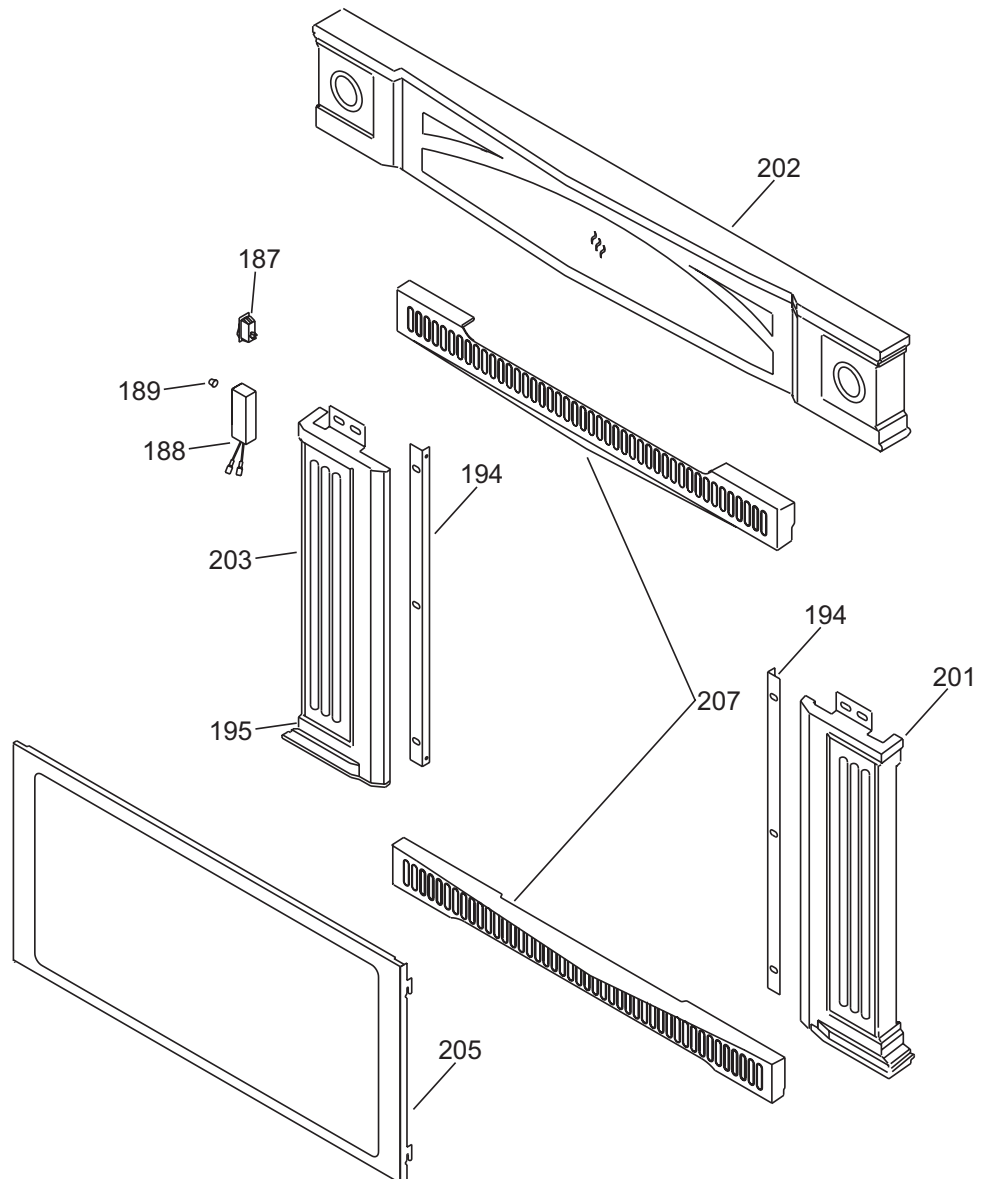
*Not available as a replacement part.



HAMPTON CAST FACEPLATE ASSEMBLY

| Part # | Description |
|--------------|--|
| 403-911 | Cast Faceplates (Set) - Black Metallic |
| 403-916 | Cast Faceplates (Set) - Black Enamel |
| 187)* | Burner On/Off Switch |
| 188)* | Fan Speed Control |
| 189)* | Knob - Black Cast Surround |
| 201)* | Cast Faceplate - Right |
| 202)* | Cast Faceplate - Top |
| 203)* | Cast Faceplate - Left |
| 205)* | Flush Glass Frame |
| 194)* | Mounting Flange |
| 207) 402-981 | Cast Grill (Set) - Top & Bottom - Black Metallic |
| 402-986 | Cast Grill (Set) - Top & Bottom - Black Enamel |

*Not available as a replacement part.



Regency fireplace products are designed with reliability and simplicity in mind. In addition, our internal Quality Assurance Team carefully inspects each unit thoroughly before it leaves our door. Regency Industries Ltd. is pleased to extend this limited lifetime warranty to the original purchaser of a Regency Product.

The Warranty: Lifetime

Covered under the agreement are the following components: Combustion chamber, heat exchanger, burner tubes, logs, embers, glass (thermal breakage) and all gold plating (against defective manufacture).

The above will be covered for parts and labour for the first five years and parts only thereafter.

Electrical components such as blowers, switches, wiring, thermodiscs, remote control, thermopiles, thermocouples and gas valves are covered for one year from the date of purchase.

Conditions:

All installations must be performed by an authorised gas fitter and installed according to all applicable local and national codes. Also, all service work must be carried out by an authorised gas service person. It is the responsibility of the installer to ensure that the appliance is firing as per rating plate. Any part or parts of this unit which in our judgement show evidence of such defect will be repaired or replaced at Regency's option, through an accredited distributor or agent provided that the defective part be returned to the distributor or agent **Transportation Prepaid**, if requested. In areas where there is not an approved service agent or the closest approved service agent is situated more than twenty-five (25) kilometres from the installation, Australian Heating Distributors are not obliged to arrange warranty repairs and travel and/or additional labour charges will apply.

Exclusions:

This limited Lifetime Warranty does not extend to or include paint, door or glass gasketing or trim. It does not cover installation and operational related problems such as over-firing, downdrafts or spillage caused by environmental conditions, nearby trees, buildings, hilltops, mountains, inadequate flueing or ventilation, excessive offsets, negative air pressures caused by insufficient make up air, mechanical systems such as furnaces, fans, clothes dryers etc.

The warranty does not extend to any part or parts which show evidence of misuse or abuse, neglect, accident or lack of maintenance.

Products made by other manufacturers and used in conjunction with the operation of this appliance without authorization from Regency, may nullify your warranty on this product.

Regency Industries Ltd., shall in no event be liable for any special, indirect consequential damages of any nature whatsoever which are in excess of the original purchase price of the product. Any alteration to the unit which causes sooting or carboning that results in damage to the exterior facia is not the responsibility of Regency Industries Ltd.

General:

It is essential that all submitted claims provide all of the necessary information including purchase date, serial #, type of unit and part or parts requested.

DISTRIBUTORS:

Western Australia

AUSTRALIAN HEATING DISTRIBUTORS
31 CLUNE STREET
BAYSWATER, WA 6053

Eastern Australia

FIREPLACE PRODUCTS AUSTRALIA PTY. LTD.
21-23 SOUTH LINK BLVD.
DANDENONG, VIC 3175

SERVICE AGENTS:

HEARTH HOUSE SERVICE
31 CLUNE STREET
BAYSWATER, WA 6053

NOTE: PLEASE RETAIN YOUR INVOICE AS PROOF OF PURCHASE FOR WARRANTY VERIFICATION

INCORRECT INSTALLATION OR GAS PRESSURE SETTINGS ARE NOT COVERED BY WARRANTY

A SERVICE OR CALLOUT FEE WILL BE CHARGED IN THESE CIRCUMSTANCES.

Free Manuals Download Website

<http://myh66.com>

<http://usermanuals.us>

<http://www.somanuals.com>

<http://www.4manuals.cc>

<http://www.manual-lib.com>

<http://www.404manual.com>

<http://www.luxmanual.com>

<http://aubethermostatmanual.com>

Golf course search by state

<http://golfingnear.com>

Email search by domain

<http://emailbydomain.com>

Auto manuals search

<http://auto.somanuals.com>

TV manuals search

<http://tv.somanuals.com>