

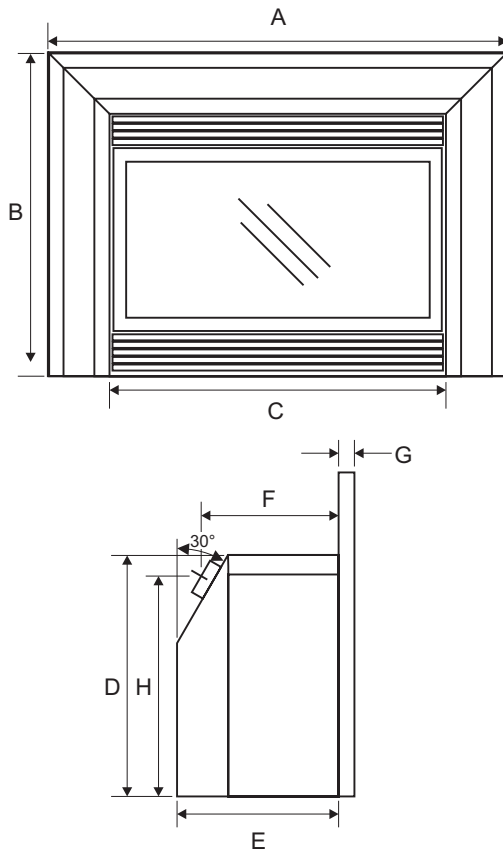
E33 Gas Insert

Model	E33-NG1	E33-LP1
Fuel Type	Natural Gas	Propane
Minimum Supply Pressure	5" W.C. (1.25 kPa)	12" W.C. (2.99 kPa)
Manifold Pressure - High	3.8" W.C. (0.95 kPa)	11" W.C. (2.74 kPa)
Manifold Pressure - Low	1.1" W.C. (0.27 kPa)	2.9" W.C. (0.72 kPa)
Orifice Size -Altitude 0-4500 ft.	#31 DMS	#50 DMS
Minimum Input Altitude 0-4500 ft. (0-1372m)	20,000 BTU/h (5.86 kW)	19,000 BTU/h (5.57 kW)
Maximum Input Altitude 0-4500 ft. (0-1372m)	38,000 BTU/h (11.14 kW)	35,500 BTU/h (10.40 kW)
Vent Sizing	3" Co-linear	3" Co-linear

Approved Venting Systems	
Flex Vent Systems:	FPI AstroCap™ Flex Vent

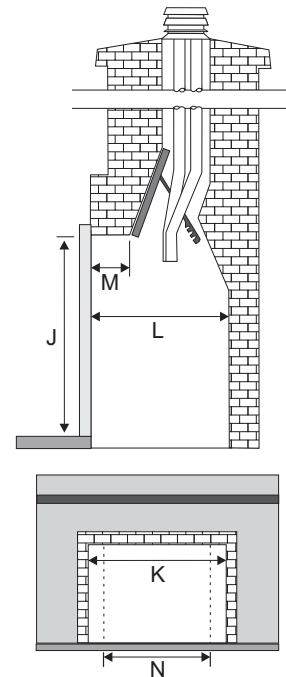


Gas Inserts



Minimum Fireplace Dimensions

The minimum fireplace dimensions for the FPI gas fireplace insert are shown in the following diagrams:



Dimension	Description	E33
A	Faceplate Width	45-9/16" (1157mm)
B	Faceplate Height	31-1/8" (791mm)
C	Unit Width	32-1/4" (819mm)
D	Unit Height	23-13/16" (605mm)
E	Unit Depth	16-3/4" (426mm)
F	Faceplate to Vent Centerline	11-1/4" (286mm)
G	Faceplate Depth	1-3/8" (35mm)
H	Height to Vent Collar	23" (583mm)
I	Optional or Standard Front Depth	N/A

Dimension	Description	Contour Faceplate
J	Height	24-3/16" (614mm)
K	Width	32-1/4" (819mm)
L	Depth	17" (432mm)
M	Max. Lintel Bar Depth	8" (203mm)
N	Rear Width	25" (635mm)

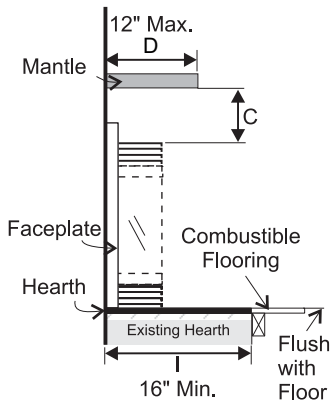
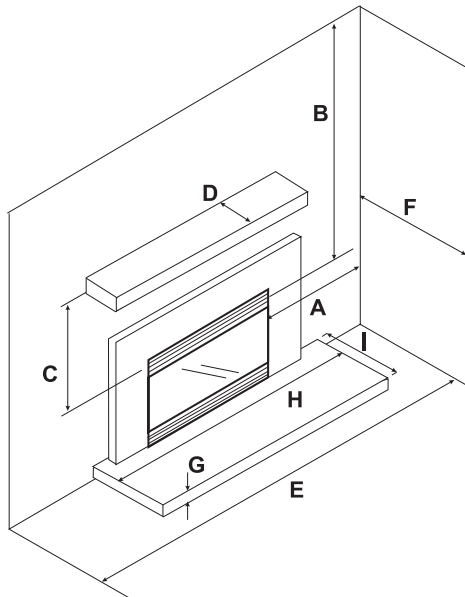
E33 Gas Insert

Clearances

Unless otherwise stated the clearances listed below are Minimum distances to combustible materials. **Please Note: A major cause of chimney related fires is due to a failure to maintain required clearances (air space) to combustible materials. It is of the greatest importance that this fireplace and vent system be installed only in accordance with these instructions.**

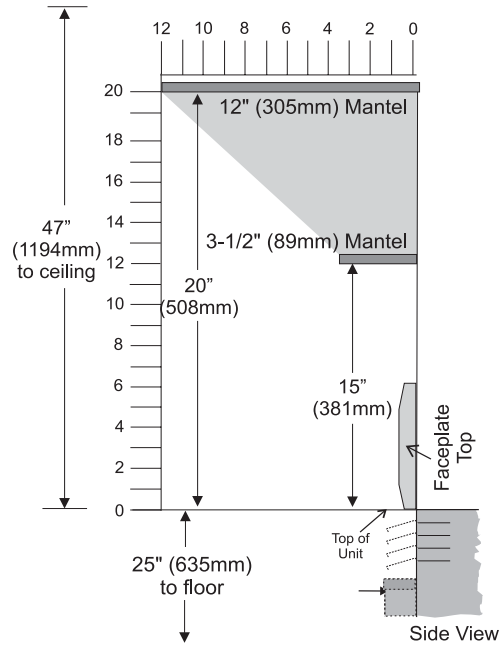
Clearances to Combustibles		
Dimension	Description	E33
A*	From Unit to Side Walls	8" (203mm)
B	From Unit to Ceiling	47" (1194mm)
C	Minimum Mantel Height	15" (381mm)
D	Maximum Mantel Depth	12" (305mm)
E	Alcove Width	76" (1930mm)
F	Alcove Depth	36" (914mm)
G	Hearth Height	1-1/4" (32mm)
H	Hearth Width	45-1/2" (1156mm)
I	Hearth Depth	13" (330mm)

* Alcove side wall must have a minimum of 8" (203mm) clearance on one side.

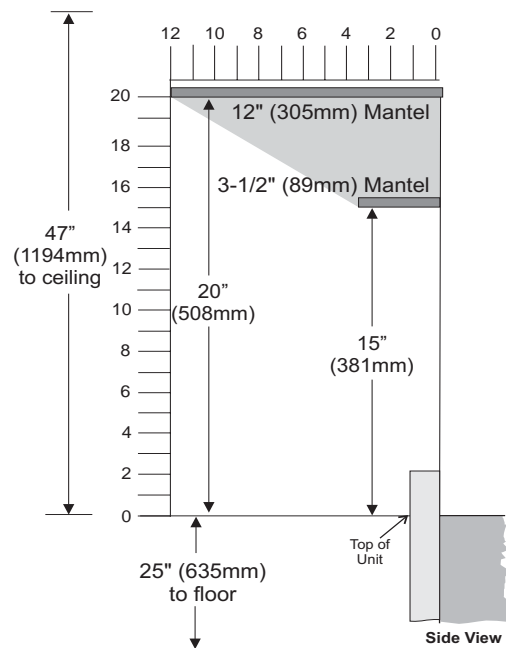


Combustible Mantels

Because of the extreme heat this fireplace emits, the mantel clearances are critical. Combustible mantel clearances from top of the louvers are shown in the diagram below. Mantel may be installed anywhere in the shaded area or higher.



Flush Front Mantel Clearances



Full Screen Door Mantel Clearances

Note: A non-combustible mantel may be installed at a lower height.

Note: Ensure the paint that is used on the mantel and the facing is "heat resistant" or the paint may discolour.

Free Manuals Download Website

<http://myh66.com>

<http://usermanuals.us>

<http://www.somanuals.com>

<http://www.4manuals.cc>

<http://www.manual-lib.com>

<http://www.404manual.com>

<http://www.luxmanual.com>

<http://aubethermostatmanual.com>

Golf course search by state

<http://golfingnear.com>

Email search by domain

<http://emailbydomain.com>

Auto manuals search

<http://auto.somanuals.com>

TV manuals search

<http://tv.somanuals.com>