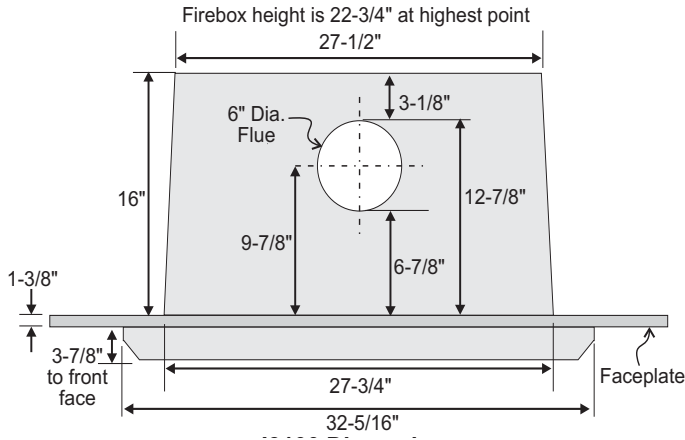


I3100 Wood Insert

## I3100 Large Wood Insert



Minimum Fireplace Opening	
Height	25" (635mm)
Width	28" (711mm)
Depth	17" (432mm)
Faceplate Dimensions	
Standard	44" (wide) x 32" (height)
Oversize	50" (wide) x 34.5" (height)

Dimension	Description	I3100
A	Adjacent Side Wall (to side)	13" (330mm)
B	Mantle (to top)**	19" (480mm)
C	Top Facing (to top)	18" (455mm)
D	Side Facing (to side)	6-1/2" (165mm)
E	Minimum Hearth Extension*	16" (406mm)
F	Minimum Hearth Thickness*	1-1/2" (38mm)
G	Minimum Hearth Side Extension	8" (205mm)

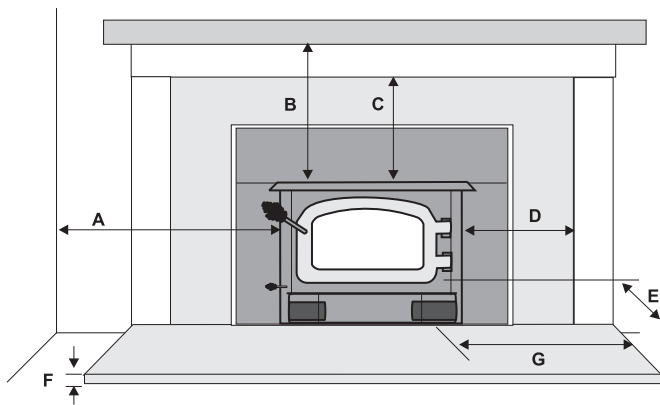
Side and Top facing is a maximum of 1-1/2" thick.

Floor protection must be non-combustible, insulating material with an R value of 1.1 or greater.

\* If the hearth extension is flush with the floor (F) it must extend 19-1/2" in front of the body face (E).

**Note:** Hearth Extension Width (G) is measured from edge of fuel door to side of hearth.

\*\* A non-combustible mantel may be installed at a lower height if the framing is made of metal studs covered with a non-combustible board.



Wood Inserts

## Free Manuals Download Website

<http://myh66.com>

<http://usermanuals.us>

<http://www.somanuals.com>

<http://www.4manuals.cc>

<http://www.manual-lib.com>

<http://www.404manual.com>

<http://www.luxmanual.com>

<http://aubethermostatmanual.com>

Golf course search by state

<http://golfingnear.com>

Email search by domain

<http://emailbydomain.com>

Auto manuals search

<http://auto.somanuals.com>

TV manuals search

<http://tv.somanuals.com>