



# L234 Gas Insert

MODELS: L234-NG Natural Gas L234-LP Propane

## Owners & Installation Manual



### WARNING:

Improper installation, adjustment, alteration, service or maintenance can cause injury, property damage, or loss of life. Refer to this manual. For assistance or additional information consult an authorized installer, service agency or the gas supplier.

### FOR YOUR SAFETY:

Do not store or use gasoline or other flammable vapours and liquids in the vicinity of this or any other appliance.

Installation and service must be performed by an authorized installer, service agency or the gas supplier.

### FOR YOUR SAFETY:

What to do if you smell gas:

- Do not try to light any appliance
- Do not touch any electrical switch: do not use any phone in your building.
- Immediately call your gas supplier from a neighbour's phone. Follow the gas supplier's instructions.
- If you cannot reach your gas supplier, call the fire department.

Tested by:



**Installer:** Please complete the details on the back cover and leave this manual with the homeowner.  
**Homeowner:** Please keep these instructions for future reference.

---

# REGENCY GAS FIREPLACE INSERT

## TO THE NEW OWNER

Congratulations! You are the owner of a state-of-the-art Gas Insert by FPI.

The L234 Direct Vent Gas Insert has been designed to provide you with all the warmth and charm of a fireplace, at the flick of a switch. The L234-NG and L234-LP have been approved by Warnock Hersey for both safety and efficiency.

As it also bears our own mark, it promises to provide you with economy, comfort and security for many trouble free years to follow. Please take a moment now to acquaint yourself with these instructions and the many features of your FPI Fireplace.



**NATIONAL FIREPLACE INSTITUTE**  
**NFI**  
**CERTIFIED**  
[www.nficertified.org](http://www.nficertified.org)

We recommend that our products be installed and serviced by professionals who are certified in the U.S. by the National Fireplace Institute® (NFI) or in Canada by Wood Energy Technical Training (WETT).

 **Wood Energy Technical Training**  
[www.wettinc.ca](http://www.wettinc.ca)

 **ONE REGENCY = ONE TREE**

For each Regency sold we plant a tree  
[AmericanForests.org](http://AmericanForests.org)

# TABLE OF CONTENTS

<b>SAFETY LABEL</b>	
Safety Label .....	4
<b>REQUIREMENTS</b>	
MA Code - CO Detector (for the State of Massachusetts only) .....	5
<b>UNIT DIMENSIONS</b>	
Unit & Faceplate Dimensions .....	6
<b>INSTALLATION</b>	
Important Message .....	7
For Your Safety .....	7
Gas Pressure Testing .....	7
Specifications .....	7
Installation Into A Solid Fuel Burning Fireplace Or Factory Built Fireplace .....	7
Before You Start .....	7
Installation Checklist .....	8
Materials Required .....	8
Minimum Fireplace Opening .....	8
Minimum Clearances To Combustibles .....	9
Combustible Mantel .....	9
Clearances .....	9
Venting .....	10
Converting from 3" & 3" Venting to 3" & 2" .....	11
Vent Restrictor Position .....	11
Flue Liner Installation .....	12
Gas Connection .....	12
Gas Insert Aeration System .....	12
Gas Pipe Pressure Testing .....	13
SIT Valve Description .....	13
Conversion Kit #536-969 from NG to LP .....	14
Optional Brick Panel Installation .....	16
Contour or Contemporary Faceplate .....	17
Optional Backing Plate .....	20
Optional Hearth Trim .....	22
Log Set Installation .....	23
Wiring Diagrams .....	27
Optional Remote Control .....	28
Optional Wall Thermostat .....	28
Final Check .....	28
<b>OPERATING INSTRUCTIONS</b>	
First Fire .....	29
Operating Instructions .....	29
Lighting Procedure .....	29
Shutdown Procedure .....	29
Copy Of Lighting Instruction Plate .....	30
Automatic Convection Fan Operation .....	30
Normal Operating Sounds Of Gas Appliances .....	30
Maintenance Instructions .....	31
Log Replacement .....	31
Glass Gasket .....	31
General Vent Maintenance .....	31
Door Glass .....	31
Fan Replacement .....	32
Valve Replacement .....	34
<b>PARTS LIST</b>	
Main Assembly .....	36
Faceplate Assembly .....	37
Backing Plate & Hearth Trim Assembly .....	38
<b>WARRANTY</b>	
Warranty .....	39

# SAFETY LABEL

This is a copy of the labels that accompany each L234 Gas Insert. We have printed a copy of the contents here for your review. The safety label is located on a plate inside the base of the unit visible when the bottom louver is opened. Ensure that the safety label is attached to the unit.

**NOTE:** FPI units are constantly being improved. Check the label on the unit and if there is a difference, the label on the unit is the correct one.

**DO NOT REMOVE THIS LABEL / NE PAS ENLEVER CETTE ÉTIQUETTE**



**332**

Serial No. / No de serie



Listed: **VENTED GAS FIREPLACE HEATER**  
 Tested to: **ANSI Z21.88-2005/ CSA 2.33-2005,**  
**CAN/CGA-2.17-M91**  
 Certified for / Certifiée pour: **CANADA AND U.S.A.**



Model/Modele:  
L234-NG

**NATURAL GAS FIREPLACE INSERT: MODEL L234-NG**  
**Factory Equipped For Altitude 0-4500ft. (0-1370m)**

Min. Supply Pressure	5"	WC	(1.25 kpa)
Low Setting Man. Pressure	1.1"	WC	(0.27 kpa)
Max. Manifold Pressure	3.8"	WC	(0.95 kpa)
Orifice Size	42	DMS	
Minimum Input	12,500	Btu/h	(6.89 kW)
Maximum Input	23,500	Btu/h	(3.66 kW)



Model/Modele:  
L234-LP

**PROPANE GAS FIREPLACE INSERT: MODEL L234-LP**  
**Factory Equipped For Altitude 0-4500ft. (0-1370m)**

Min. Supply Pressure	12"	WC	(2.99 kpa)
Low Setting Man. Pressure	2.9"	WC	(0.72 kpa)
Max. Manifold Pressure	11"	WC	(2.74 kpa)
Orifice Size	54	DMS	
Minimum Input	11,000	Btu/h	(6.30 kW)
Maximum Input	21,500	Btu/h	(3.22 kW)

**VENTED GAS FIREPLACE HEATER**

For installation in Solid Fuel Burning Fireplaces. This appliance must be installed in accordance with local codes, if any. If none, follow the National Fuel Code, ANSI Z223.1/NFPA 54 or Natural Gas and Propane Installation Codes, CSA B149.1. This vented gas fireplace heater is not for use with air filters.

For Manufactured Home Installation: This Direct Vent System Appliance must be installed in accordance with the manufacturer's installation instructions and Manufactured Home Construction and Safety Standard Title 24 CFR, Part 3280, or the current Standard for Fire Safety Criteria for Manufactured Home Installation, Sites, and Communities ANSI/NFPA 501A, and with CAN/CSA Z240 MH Mobile Home Standard in Canada.

This appliance is only for use with the type of gas indicated on the rating plate. See owner's manual for details. For use with glass doors certified with the appliance only. This appliance is not convertible for use with other gases, unless a certified kit is used.

**WARNING:** This fireplace has been converted for use with a gas fireplace insert only and cannot be used for burning wood or solid fuels unless all original parts have been replaced, and the fireplace re-approved by the authority having jurisdiction. For use with glass doors certified with the appliance only.

Fan Part No. 910-331/P

Electrical Supply: 115 V, 56 WATTS, 60 Hz

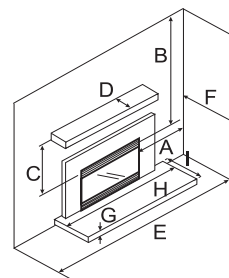
**NOT FOR USE WITH SOLID FUEL**

**Minimum Clearances to Combustibles from Insert**

Side Walls	*A	8"	(203mm)
Ceiling	B	56"	(1422mm)
Min. Mantel Height	C	21"	(533mm)
Max. Mantel Depth	D	12"	(305mm)
Alcove Width	E	60"	(1524mm)
Alcove Depth	F	36"	(914mm)

**Non-Combustible Hearth Extension**

Hearth Height	G	1-1/2"	(38mm)
Hearth Width	H	28"	(711mm)
Hearth Depth	I	12"	(305mm)



\* Alcove side wall must have a min. of 8" (203mm) clearance on one side.

**FPI Fireplace Products International Ltd., Delta BC, CANADA**  
**MADE IN CANADA / FABRIQUE AU CANADA**

918-668

For the State of Massachusetts, installation and repair must be done by a plumber or gasfitter licensed in the Commonwealth of Massachusetts.

For the State of Massachusetts, flexible connectors shall not exceed 36 inches in length.

For the State of Massachusetts, the appliances individual manual shut-off must be a t-handle type valve.

The State of Massachusetts requires the installation of a carbon monoxide alarm in accordance with NFPA 720 and a CO alarm with battery back up in the same room where the gas appliance is installed.

## MA Code - CO Detector (for the State of Massachusetts only)

### 5.08: Modifications to NFPA-54, Chapter 10

(2) Revise 10.8.3 by adding the following additional requirements:

(a) For all side wall horizontally vented gas fueled equipment installed in every dwelling, building or structure used in whole or in part for residential purposes, including those owned or operated by the Commonwealth and where the side wall exhaust vent termination is less than seven (7) feet above finished grade in the area of the venting, including but not limited to decks and porches, the following requirements shall be satisfied:

1. **INSTALLATION OF CARBON MONOXIDE DETECTORS.** At the time of installation of the side wall horizontal vented gas fueled equipment, the installing plumber or gasfitter shall observe that a hard wired carbon monoxide detector with an alarm and battery back-up is installed on the floor level where the gas equipment is to be installed. In addition, the installing plumber or gasfitter shall observe that a battery operated or hard wired carbon monoxide detector with an alarm is installed on each additional level of the dwelling, building or structure served by the side wall horizontal vented gas fueled equipment. It shall be the responsibility of the property owner to secure the services of qualified licensed professionals for the installation of hard wired carbon monoxide detectors

a. In the event that the side wall horizontally vented gas fueled equipment is installed in a crawl space or an attic, the hard wired carbon monoxide detector with alarm and battery back-up may be installed on the next adjacent floor level.

b. In the event that the requirements of this subdivision can not be met at the time of completion of installation, the owner shall have a period of thirty (30) days to comply with the above requirements; provided, however, that during said thirty (30) day period, a battery operated carbon monoxide detector with an alarm shall be installed.

2. **APPROVED CARBON MONOXIDE DETECTORS.** Each carbon monoxide detector as required in accordance with the above provisions shall comply with NFPA 720 and be ANSI/UL 2034 listed and IAS certified.

3. **SIGNAGE.** A metal or plastic identification plate shall be permanently mounted to the exterior of the building at a minimum height of eight (8) feet above grade directly in line with the exhaust vent terminal for the horizontally vented gas fueled heating appliance or equipment. The sign shall read, in print size no less than one-half (1/2) inch in size, "**GAS VENT DIRECTLY BELOW. KEEP CLEAR OF ALL OBSTRUCTIONS**".

4. **INSPECTION.** The state or local gas inspector of the side wall horizontally vented gas fueled equipment shall not approve the installation unless, upon inspection, the inspector observes carbon monoxide detectors and signage installed in accordance with the provisions of 248 CMR 5.08(2)(a)1 through 4.

(b) **EXEMPTIONS:** The following equipment is exempt from 248 CMR 5.08(2)(a)1 through 4:

1. The equipment listed in Chapter 10 entitled "Equipment Not Required To Be Vented" in the most current edition of NFPA 54 as adopted by the Board; and

2. Product Approved side wall horizontally vented gas fueled equipment installed in a room or structure separate from the dwelling, building or structure used in whole or in part for residential purposes.

(c) **MANUFACTURER REQUIREMENTS - GAS EQUIPMENT VENTING SYSTEM PROVIDED.** When the manufacturer of Product Approved side wall horizontally vented gas equipment provides a venting system design or venting system components with the equipment, the instructions provided by the manufacturer for installation of the equipment and the venting system shall include:

1. Detailed instructions for the installation of the venting system design or the venting system components; and

2. A complete parts list for the venting system design or venting system.

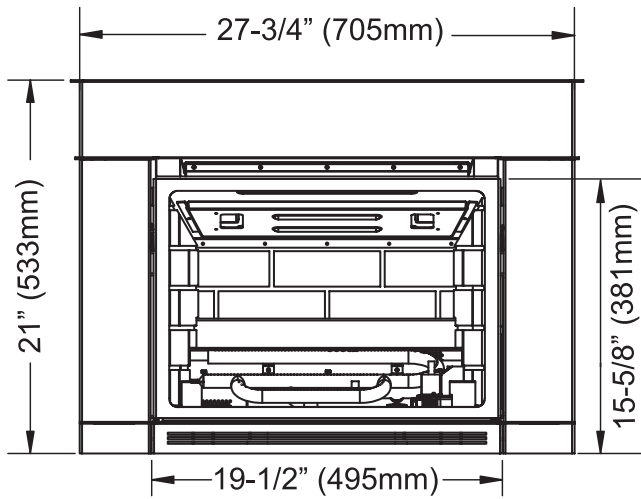
(d) **MANUFACTURER REQUIREMENTS - GAS EQUIPMENT VENTING SYSTEM NOT PROVIDED.** When the manufacturer of a Product Approved side wall horizontally vented gas fueled equipment does not provide the parts for venting the flue gases, but identifies "special venting systems", the following requirements shall be satisfied by the manufacturer:

1. The referenced "special venting system" instructions shall be included with the appliance or equipment installation instructions; and

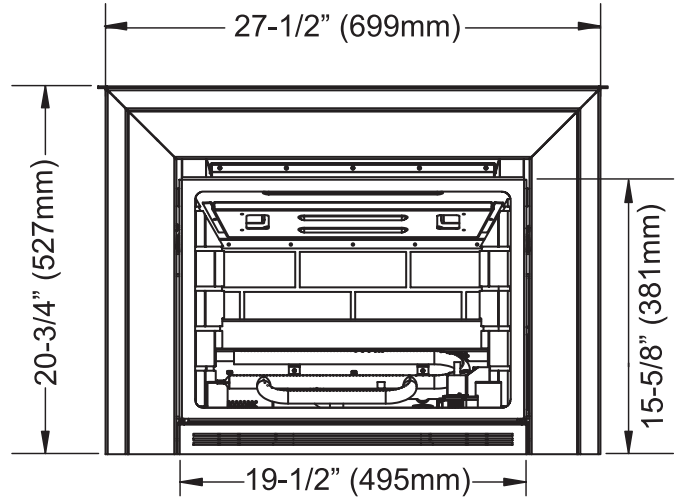
2. The "special venting systems" shall be Product Approved by the Board, and the instructions for that system shall include a parts list and detailed installation instructions.

(e) A copy of all installation instructions for all Product Approved side wall horizontally vented gas fueled equipment, all venting instructions, all parts lists for venting instructions, and/or all venting design instructions shall remain with the appliance or equipment at the completion of the installation.

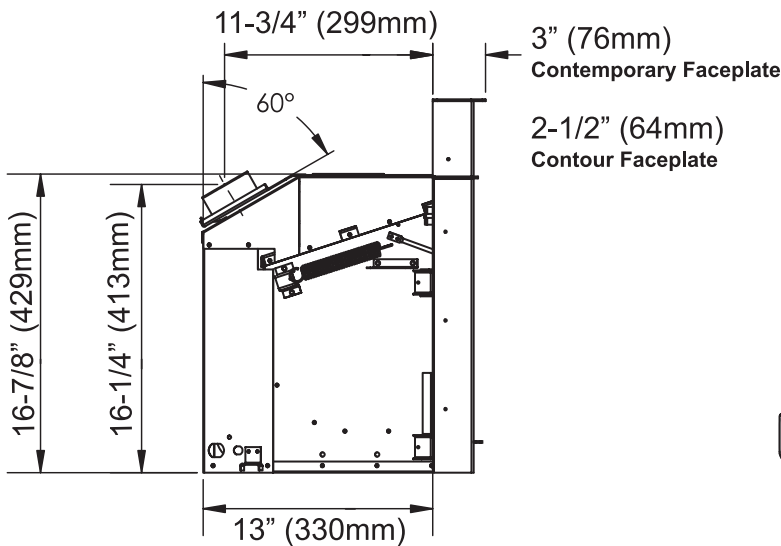
# UNIT & FACEPLATE DIMENSIONS



**Contemporary Faceplate**

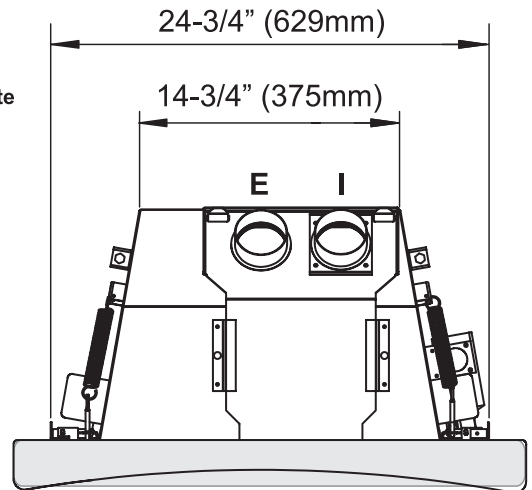


**Contour Faceplate**



3" (76mm)  
Contemporary Faceplate

2-1/2" (64mm)  
Contour Faceplate



## IMPORTANT MESSAGE SAVE THESE INSTRUCTIONS

The FPI Direct Vent Gas Insert must be installed in accordance with these instructions. Carefully read all the instructions in this manual first. Consult the building authority having jurisdiction to determine the need for a permit prior to starting the installation.

**NOTE:** Failure to follow the instructions could cause a malfunction of the heater which could result in death, serious bodily injury, and/or property damage. Failure to follow these instructions may also void your fire insurance and/or warranty.

## FOR YOUR SAFETY

This appliance requires air for proper combustion. Always provide adequate combustion and ventilation air. Follow instructions and information in CSA B149.1 (in Canada) or the National Fuel Gas Code ANS Z223.1/NFPA (in the USA), regarding requirements for combustion and ventilation air.

## GAS PRESSURE TESTING

The appliance must be isolated from the gas supply piping system by closing its individual manual shut off valve during any pressure testing of the gas supply piping system at test pressures equal to or less than 1/2 psig. (3.45 kPa).

## SPECIFICATIONS

At pressures over 1/2 psig, the pipe to the unit must be disconnected.

### Gas Input Capacity:

Natural Gas	23,500 Btu/h
Propane	21,500 Btu/h

### Min. Input:

Natural Gas	12,500 Btu/h
Propane	11,000 Btu/h

**Fuels:** Approved for use with both natural gas, and propane. Approved as is for use at 0' to 4,500' (0-1370m).

**Electrical:** 120V A.C. system.

**Circulation Fan:** Variable speed, 127 CFM.

**Log Set:** Ceramic fibre, 6 per set.

**Vent System:** 3" co-linear aluminum flex or 2" intake with 3" exhaust.

## INSTALLATION INTO A SOLID FUEL BURNING FIREPLACE OR FACTORY BUILT FIREPLACE

The L234 Gas Inserts have been tested and approved to be vented into any masonry fireplace or approved solid fuel burning factory built fireplace that will allow the insert to physically fit into the firebox. Refer to the "Minimum Fireplace Opening" section.

**If the factory built fireplace\* height is too low for your Insert, you may remove the smoke baffle plate and damper from the factory built fireplace as long as these items are saved and are reinstalled in the event that the Insert is removed. NOTE: Any alterations made to the listed solid fuel burning factory built fireplace may void the listing of the fireplace. Cutting any sheet-metal parts of the fireplace, in which the gas fireplace insert is to be installed, is prohibited.**

**If the factory-built fireplace has no gas access hole(s) provided, an access hole of 1.5" (37.5mm) or less may be drilled through the lower sides or bottom of the firebox in a proper workmanship like manner. This access hole must be plugged with non-combustible insulation after the gas supply line has been installed.**

**The fireplace and fireplace chimney must be clean and in good working order and constructed of non-combustible materials and chimney cleanouts must fit properly. Refractory, glass doors, screen rails, screen mesh, and log grates can be removed from the fireplace before installing the gas fireplace insert. Smoke shelves, shields and baffles may be removed if attached by mechanical fasteners. A tight seal between the gas fireplace insert flue collar and the fireplace chimney must be made to prevent heat loss.**

\*Check with your local inspector before commencing with this installation.

Installer must mechanically attach the supplied label to the inside of the firebox of the fireplace into which the gas fireplace insert is installed.

**"WARNING: This fireplace has been converted for use with a gas fireplace insert only and cannot be used for burning wood or solid fuels unless all original parts have been replaced, and the fireplace re-approved by the authority having jurisdiction."**

## BEFORE YOU START

Safe installation and operation of this appliance requires common sense, however, we are required by the Canadian Safety Standards and ANSI Standards to make you aware of the following:

### General Safety Information

- 1) The appliance installation must conform with local codes or in the absence of local codes, with CAN/CSA B149.1 (in Canada) or the National Fuel Gas Code ANSI Z223.1 NFPA54 in the U.S.A. This appliance should be installed by a qualified gas fitter technician only.
- 2) Installation and repair should be done by a qualified service person.
- 3) The appliance should be inspected before use and at least annually by a professional service person. More frequent cleaning may be required due to excessive lint from carpeting, bedding material, animal hair, etc. It is imperative that control compartments, burners and circulating air passageways of the appliance be kept clean.
- 4) See general construction and assembly instructions. This appliance may only be installed in a vented, noncombustible fireplace.
- 5) This appliance is Listed for bedroom installations when used with a Listed Millivolt Thermostat. Some areas may have further requirements, check local codes before installation.
- 6) Always connect this appliance to a vent system vent that is run (or routed) to the outside of the building envelope. Never vent to another room or inside a building. Make sure that the vent is properly sized and is of adequate height to provide the proper draft.
- 7) Inspect the venting system annually for blockage and any signs of deterioration.
- 8) Any glass removed for servicing must be replaced prior to operating the appliance.
- 9) **WARNING: Failure to position the parts in accordance with the diagrams in this manual or failure to use only parts specifically approved with this appliance may result in property damage or personal injury.**
- 10) To prevent injury, do not allow anyone who is unfamiliar with the operation to use the fireplace.

# INSTALLATION

11) Due to high temperatures, the appliance should be located out of high traffic areas and away from furniture and draperies. Children and adults should be alerted to the hazards of high surface temperatures, especially the fireplace glass, and should stay away to avoid burns or clothing ignition. Young children should be carefully supervised when they are in the same room as the appliance. Clothing or other flammable material should not be placed on or near the appliance.

Emissions from burning wood or gas could contain chemicals known to the State of California to cause cancer, birth defects or other reproductive harm.

## INSTALLATION CHECKLIST

Before installing vent system ensure that the damper plate is open and secure to prevent the damper plate from falling down and crushing the liner.

The FPI Gas Insert is installed as listed below.

- 1) Check all clearances to combustibles. Refer to the following sections where applicable:
  - a. Minimum Clearances to Combustibles.
  - b. Combustible Mantel Clearances
  - c. Mantel Clearances
- 2) Make the gas connection. Refer to the "Gas Connection" section.
- 3) Install the 3" x 3" or 3" x 2" flue liner to the sliding connector plate. Refer to the "Flue Liner Installation" section.
- 4) Slide the unit half way into the fireplace.
- 5) Pull the vent connector plate through the tapered brackets and fasten to the front plate. Refer to the "Flue Liner Installation" section.
- 6) Slide the unit fully into the fireplace.
- 7) Test gas pressure, refer to the "Gas Pipe Pressure Testing" section. Check aeration system, refer to "Gas Insert Aeration Systems" section.

8) Install standard and optional features. Refer to the following sections where applicable:

- a. Brick Panels
- b. Log Installation
- c. Faceplate
- d. Hearth Trim
- e. Backing Plate
- f. Remote Control (brick panels are mandatory with remote control option)
- g. Wall Thermostat

9) **Final check. Refer to the "Final Check" section.** Before leaving this unit with the customer, the installer must ensure that the appliance is firing correctly. This includes:

- a) Locking the appliance to ensure the correct firing rate.
- b) Adjusting the primary air, if required, to ensure that the flame does not carbon. Refer to the "Gas Insert Aeration System" section.
- c) Ensuring that the appliance is venting correctly.

## MATERIALS REQUIRED

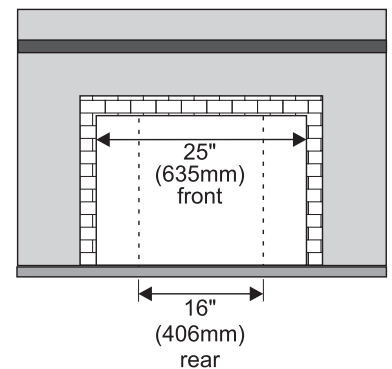
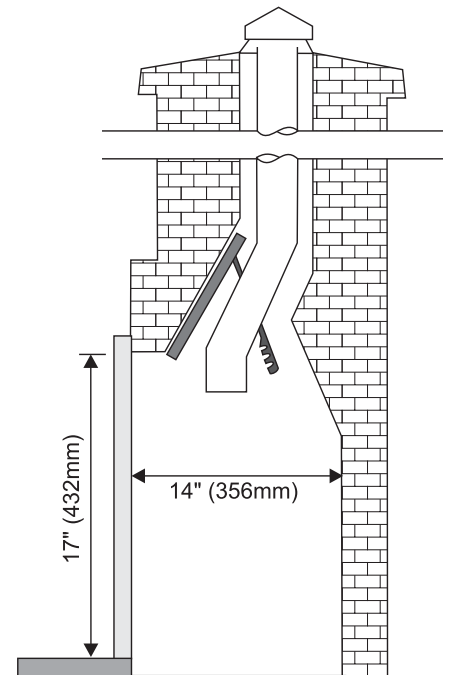
No electrical power supply is required for the gas control to operate. A 120 Volt AC power cord is hooked up to the fan. Plug the 3 wire cord into a suitable receptacle. **Do not cut the ground terminal off under any circumstances.** When connected with 120 volts, the appliance must be electrically grounded in accordance with local codes, current version of the Canadian Electrical Code CSA C22.1 (in Canada) or in the absence of local codes, with the National Electrical Code ANSI/NFPA 70.

**WARNING:**

**Electrical Grounding Instructions**  
**This appliance is equipped with a three pronged (grounding) plug for your protection against shock hazard and should be plugged directly into a properly grounded three-prong receptacle. Do not cut or remove the grounding prong from this plug.**

## MINIMUM FIREPLACE OPENING

The minimum fireplace opening for the L234 gas fireplace insert is shown in the following diagrams:



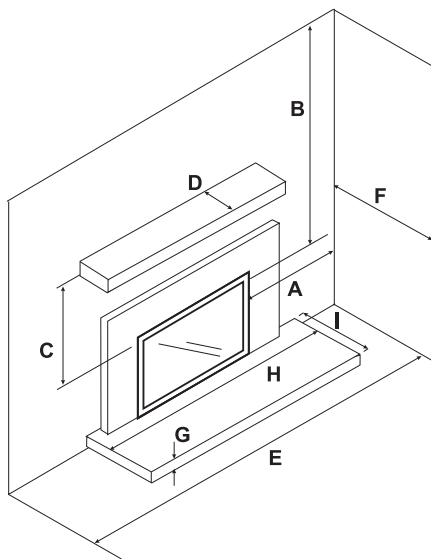


## MINIMUM CLEARANCES TO COMBUSTIBLES

Unless otherwise stated the clearances listed below are Minimum distances to combustible materials. **Please Note: A major cause of chimney related fires is due to a failure to maintain required clearances (air space) to combustible materials. It is of the greatest importance that this insert and vent system be installed only in accordance with these instructions.**

<b>Side Walls</b>	<b>A</b>	8" (203 mm)*
<b>Ceiling</b>	<b>B</b>	56" (1422 mm)
<b>Min. Mantel Height</b>	<b>C</b>	21" (533 mm) see Diagram 1
<b>Max. Mantel Depth</b>	<b>D</b>	12" (305 mm) see Diagram 1
<b>Alcove Width</b>	<b>E</b>	60" (1524 mm)
<b>Alcove Depth</b>	<b>F</b>	36" (914 mm)
<b>Hearth Height</b>	<b>G</b>	1-1/2" (38 mm)
<b>Hearth Width</b>	<b>H</b>	28" (686 mm)
<b>Hearth Depth</b>	<b>I</b>	12" (305 mm)

\* Alcove side wall must have a min. of 8" clearance.

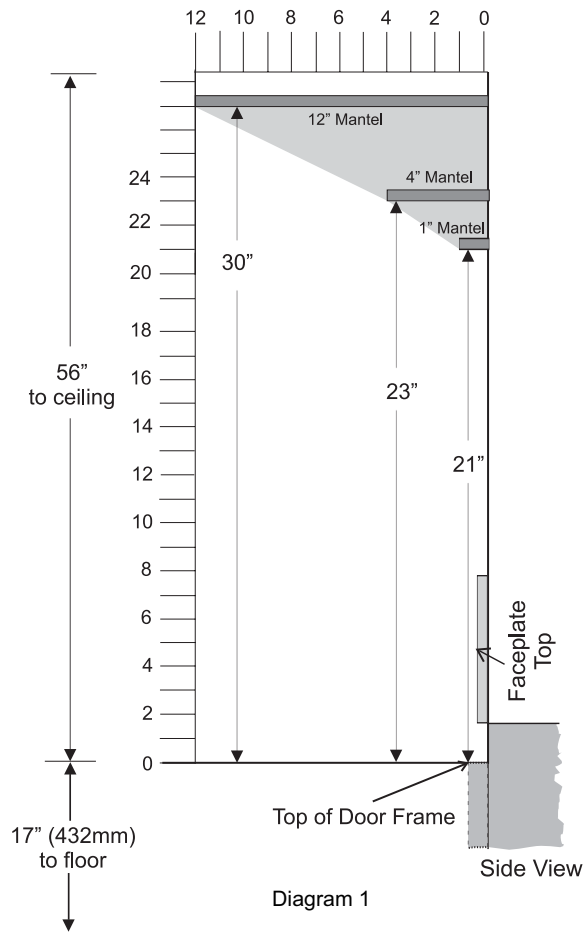


## COMBUSTIBLE MANTEL CLEARANCES

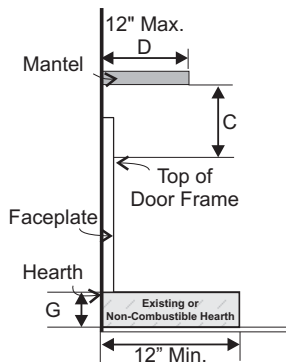
**Because of the extreme heat this fireplace emits, the mantel clearances are critical.** Combustible mantel clearances from top of door frame are shown in the diagram below. Mantel may be installed anywhere in the shaded area or higher.

**Note: A non-combustible mantel may be installed at a lower height.**

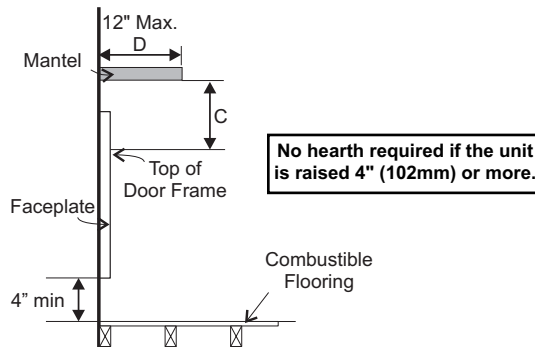
**Note: Ensure the paint that is used on the mantel and the facing is "heat resistant" or the paint may discolour.**



### INSTALLATION WITH NON-COMBUSTIBLE HEARTH IN FRONT



### INSTALLATION WITH COMBUSTIBLE FLOORING IN FRONT



# INSTALLATION

## VENTING

**THE APPLIANCE MUST NOT BE CONNECTED TO A CHIMNEY FLUE SERVING A SEPARATE SOLID FUEL BURNING APPLIANCE.**

This appliance is designed to be attached to two 3" (76mm) co-linear aluminium flex running the full length of the chimney. The flue length must be a minimum length of 8' (2.44m) and a maximum of 35' (10.7m). Periodically check that the vent is unrestricted.

Masonry chimneys may take various contours which the flexible liner will accommodate. However, **keep the flexible liner as straight as possible**, avoid unnecessary bending.

### INSTALLATION WITH 3" & 3" LINERS

Part #	Description
948-305	3" Flex - 35 ft. (intake & exhaust)
946-529	FPI Co-linear DV Vertical Termination Cap & Flashing

Vent Run	Vent Restrictor Position	Burner Aeration Setting
8' to 20'	1"	3/16"
20' to 35'	3/4"	3/16"

**NOTE:** See instructions in the "Vent Restrictor Position" section on positioning of the vent restrictor.

The L234 is also approved for use with a 2" liner for air intake and a 3" liner for exhaust. This would be suitable for a Class A wood burning chimney with a minimum 6" round flue.

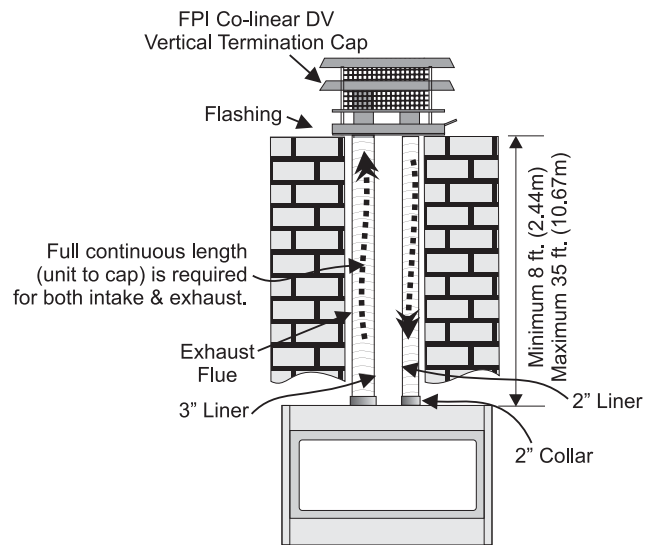
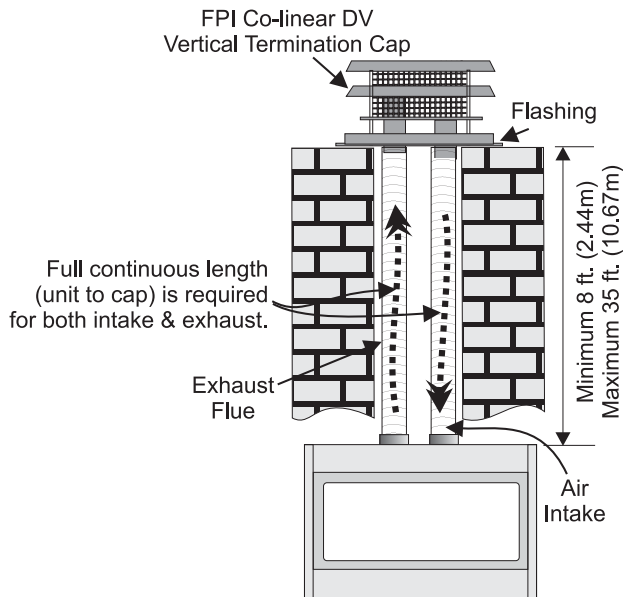
The chimney must be lined with one 2" diameter liner for intake and one 3" diameter liner for exhaust. The minimum vent length is 8' and maximum is 35'.

### INSTALLATION WITH 3" & 2" LINERS

Part #	Description
948-305	3" Flex - 35 ft. (exhaust)
948-316	2" Flex - 35 ft. (intake)
946-582	FPI Co-linear DV Vertical Termination Cap, Flashing & 2" Collar

Vent Run	Vent Restrictor Position	Burner Aeration Setting
8' to 20'	1"	3/16"
20' to 35'	1"	1/8"

**NOTE:** See instructions in the "Vent Restrictor Position" section on positioning of the vent restrictor.



#### Alternative Approved Venting Components\*

980	Vertical Termination Cap
991	High Wind Cap
923GK	3" Co-linear Adaptor with flashing

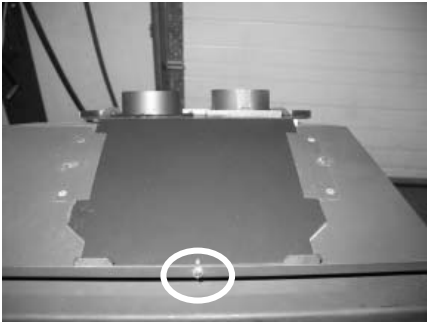
In areas of consistently high winds, we recommend using the Simpson Dura-Vent System (923GK adaptor and 991 high-wind cap).

The Air Intake pipe must be attached to the inlet air collar of the termination cap.

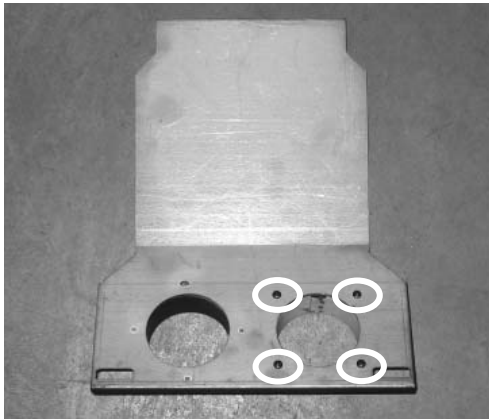
**\*NOTE:** Simpson DuraVent can only be used with 3" and 3" liners.

## CONVERTING FROM 3" & 3" VENTING TO 3" & 2"

- 1) Remove the top plate from the unit by undoing the screw at the front of the firebox and slide out towards the back of the unit.



- 2) Remove the 3" collar from the top plate by undoing the 4 screws. **NOTE:** The screws are secured from the underside of the top plate.



*Underside of Top Plate*

- 3) Secure the 2" collar to the top plate using 4 screws in place of the 3" collar.
- 4) Re-install the top plate to the unit.



*Top Plate with 2" Collar shown on Unit*

## VENT RESTRICTOR POSITION

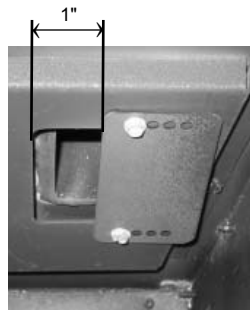
The Vent Restrictor plate is located on the inside top of the firebox.

To change the vent restrictor position, refer to the instructions below;

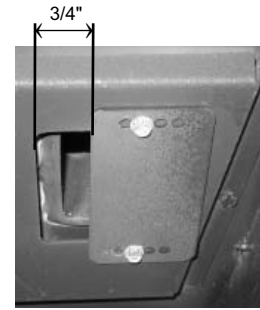
- 1) Remove the glass door.
- 2) Remove brick panels if installed.
- 3) Remove the 4 screws that hold the vent restrictor plate in place.



- 4) Adjust the vent restrictor plate to the required vent restrictor position.



**Factory Set at 1"**



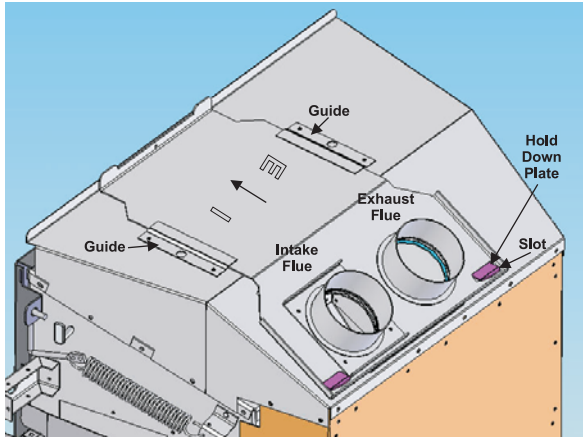
**Adjusted to 3/4"**

- 5) Once the vent restrictor plate is in the required position, secure using the 4 screws removed from step 3.
- 6) Re-install brick panels if removed.
- 7) Re-install glass door.

# INSTALLATION

## FLUE LINER INSTALLATION

- 1) Cut the flex liner as required.
- 2) Mark the end of one liner with an "E" to indicate Exhaust.
- 3) Connect the other end of the above liner to the exhaust side of the termination cap, seal connection with high temperature silicone. Secure with gear clamp or screws.
- 4) Connect the 2nd liner to the inlet side of the cap, seal connection with high temperature silicone. Secure with gear clamp or screws.
- 5) Install flashing.
- 6) Insert both liners into chimney, passing through the damper opening.
- 7) Install termination cap.
- 8) Connect the **marked end** of the liner to the exhaust collar of the vent connector plate marked with an "E", seal connection with high temperature silicone. Secure with gear clamp or screws.



- 9) Connect the 2nd liner to the intake collar, seal connection with high temperature silicone. Secure with gear clamp or screws.
- 10) Align vent connector plate with guides on unit.
- 11) Slide unit into masonry opening, while ensuring that the slots at the rear of the connector plate mates up with the hold down plate on the unit.
- 12) Secure with screw.

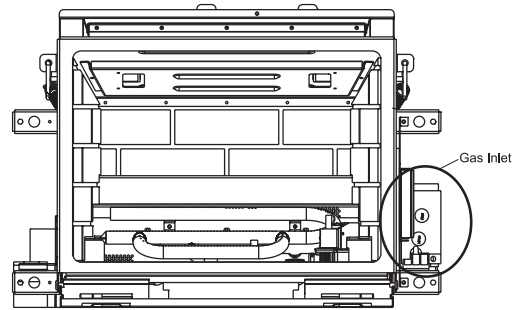
**NOTE:**

- 1) Final gas connection should be made after unit is in place to avoid damage to the liner when pushing the unit into position.
- 2) Mill-pac may be used instead of high temperature silicone and screws may be used instead of gear clamps at connections of liner to inlet and vent collars.

## GAS CONNECTION

**GAS CONNECTION WARNING:**  
**Only persons licensed to work with gas piping may make the necessary gas connections to this appliance.**

- 1) When the appliance is to be installed into either an existing masonry chimney system or factory built fireplace, thoroughly clean the chimney before installation.
- 2) A 3/8" NPT gas supply pipe must be brought near the inlet hole. The valve inlet is on the right side of the unit.



- 3) Locate the center point where the vent will pass through the chimney above the appliance. Move the appliance into the exact location where it is to be installed. Ensure that the Insert is level.

**NOTE:** This unit is equipped with a heat sensor thermodisc which will prevent the blower from operating until the unit reaches the correct temperature.

## GAS INSERT AERATION SYSTEM

The burner aeration is factory set but may need adjusting due to either the local gas supply or altitude. Open the air shutter for a blue flame or close for a more yellow flame.

Minimum Air Shutter Openings		
	Vent Run	Burner Aeration Setting
3" x 3"	8' to 20'	NG: 3/16" LP: 3/16"
	20' to 35'	NG: 3/16" LP: 3/16"
3" x 2"	8' to 20'	NG: 3/16" LP: 3/16"
	20' to 35'	NG: 1/8" LP: 1/8"

**CAUTION:** Carbon will be produced if the air shutter is closed too much.

**Note:** Any damage due to carboning resulting from improperly setting the aeration controls is NOT covered under warranty.

**Note:** Aeration Adjustment should only be performed by an authorized FPI Installer at the time of installation or service.

## GAS PIPE PRESSURE TESTING

The appliance must be isolated from the gas supply piping system by closing its individual manual shut-off valve during any pressure testing of the gas supply piping system at test pressures equal to or less than 1/2 psig. (3.45 kPa). Disconnect piping from valve at pressures over 1/2 psig.

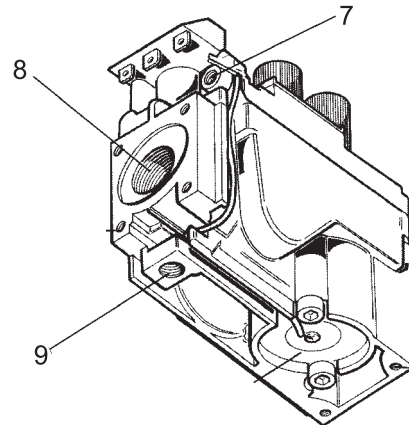
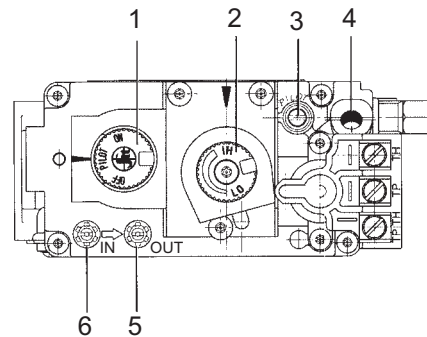
The manifold pressure is controlled by a regulator built into the gas control, and should be checked at the pressure test point.

**NOTE: To properly check gas pressure, both inlet and manifold pressures should be checked using the valve pressure ports on the valve.**

- 1) Make sure the valve is in the "OFF" position.
- 2) Loosen the "IN" and/or "OUT" pressure tap(s), turning counterclockwise with a 1/8" wide flat screwdriver.
- 3) Attach manometer to "IN" and/or "OUT" pressure tap(s) using a 5/16" ID hose.
- 4) Light the pilot and turn the valve to "ON" position.
- 5) The pressure check should be carried out with the unit burning and the setting should be within the limits specified on the safety label.
- 6) When finished reading manometer, turn off the gas valve, disconnect the hose and tighten the screw (clockwise) with a 1/8" flat screwdriver.  
**Note: Screw should be snug, but do not over tighten.**

## SIT VALVE DESCRIPTION

- 1) Gas on/off knob
- 2) Manual high/low adjustment
- 3) Pilot Adjustment
- 4) Thermocouple Connection - *option*
- 5) Manifold (Outlet) Pressure Tap
- 6) Inlet Pressure Tap
- 7) Pilot Outlet
- 8) Main Gas Outlet
- 9) Alternative TC Connection Point



# INSTALLATION

## CONVERSION KIT #536-969 FROM NG TO LP

### LP Conversion instructions for BEFORE UNIT INSTALLATION.

**THIS CONVERSION MUST BE DONE BY A QUALIFIED GAS FITTER, IF IN DOUBT DO NOT DO THIS CONVERSION!!**

#### LP Conversion Kit Contains:

Qty.	Part #	Description
1	910-037	LP Pilot Orifice
1	904-163	Orifice #54
1	904-529	5/32" Allen Key
1	918-590	LP Conversion Decal
1	908-528	Red Propane Label
1	918-688	Instruction Sheet

- 1) Open the left and right side faceplate panels.
- 2) Turn off the gas supply.
- 3) Remove the bottom louver by pulling out.
- 4) Remove the glass door.
  - a) Pull off the left side spring hook that holds the door in place. While holding the hook turn it upside down and place it into the middle opening on the top side mounting bracket. Repeat for right side.

Spring Hook

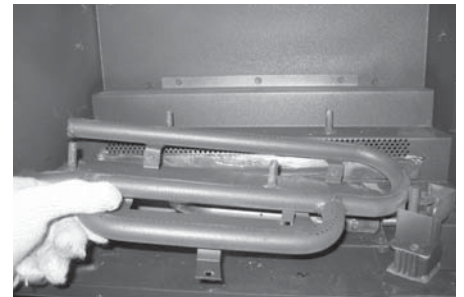
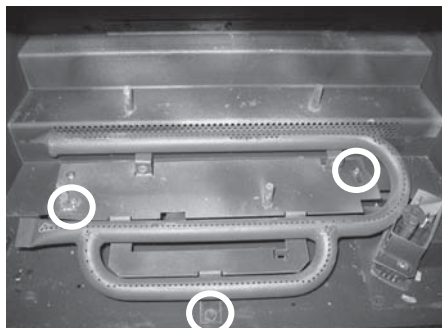


Top Mounting Bracket

- b) Swing the door out 45 degrees and lift up and out.

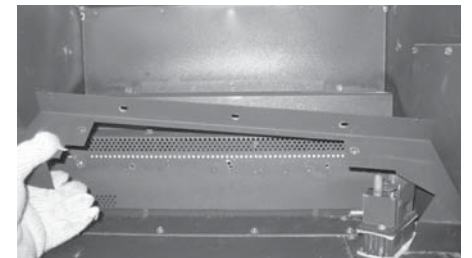
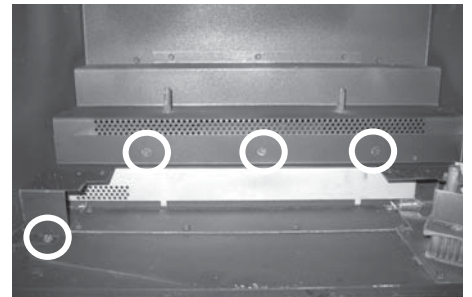


- 5) Remove the logs if installed.
- 6) Remove the brick panels if installed.
- 7) Remove the burner by undoing the 3 screws.



Burner Removed

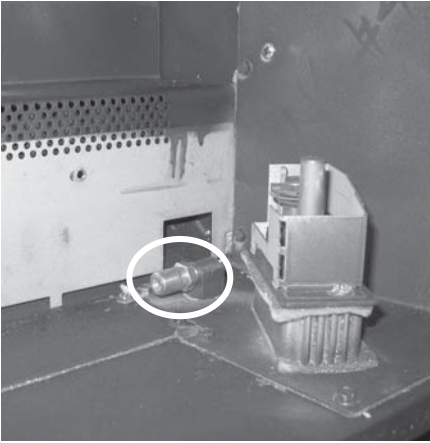
- 8) Remove the burner tray by undoing the 4 screws.



Burner Tray Removed

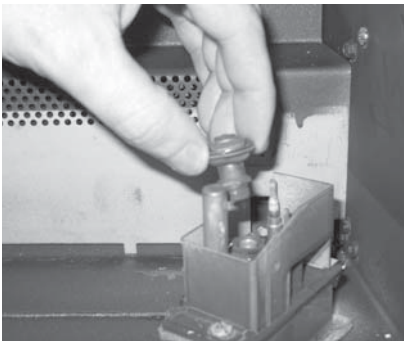


- 9) Remove burner orifice with a 1/2" wrench and discard.

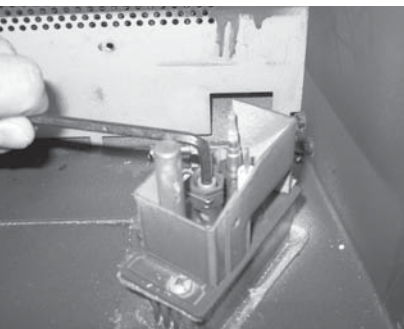


- 10) Install the new LP burner orifice stamped #54 and tighten.

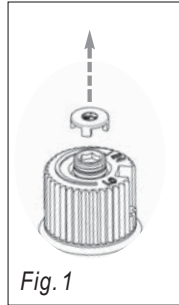
- 11) Pull off the pilot cap to expose the pilot orifice.



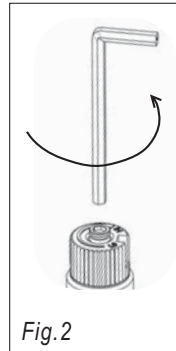
- 12) Unscrew the pilot orifice with the supplied allen key and replace it with the LP pilot orifice in the kit and re-install the pilot cap.



- 13) From the valve remove the black protection cap by hand from the high-low knob (Fig.1).

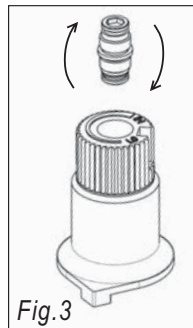


- 14) Insert the allen key into the hexagonal key-way of the screw (Fig. 2), rotate it counter-clockwise until it is free and extract it.

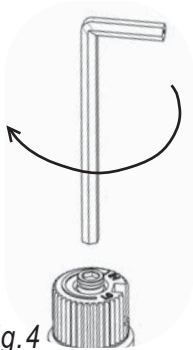


- 15) Check that the screw is clean and if necessary remove dirt.

- 16) Flip the screw (Fig. 3).

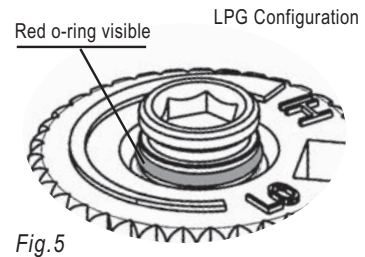


- 17) Using the allen key as shown in Fig.4, rotate the screw clockwise until snug, do not overtighten.

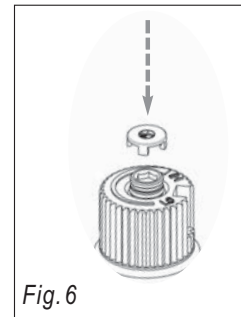


**WARNING!**  
Do not overtighten the screw.  
Recommended to grip the wrench by the short side.

- 18) Verify that if the conversion is from NG to LPG, the screw must be re-assembled with the red o-ring visible (Fig. 5).



- 19) Re-assemble the black protection cap (Fig. 6).



**WARNING!**  
Also check that the pilot and main burner injectors are appropriate for the gas type.

- 20) Attach the label "This unit has been converted to Propane" near or on top of the serial # decal.

- 21) Replace yellow "Natural Gas" label with red "LPG" label.

- 22) Reverse steps 8) to 1).

**NOTE: Before re-installing the burner, check the LP areation settings.**

- 23) Check the inlet and outlet pressures.

- 24) Check operation of flame control.

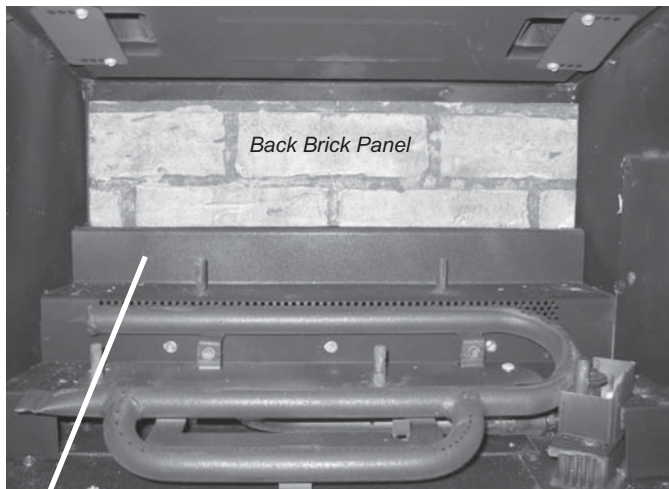
- 25) Check for proper flame appearance.

# INSTALLATION

## OPTIONAL BRICK PANEL INSTALLATION

**NOTE:** Brick Panels are mandatory when using Optional Remote

- 1) Carefully remove the brick panels from the box and unwrap them.
- 2) Insert the back brick panel by carefully placing it against the back wall of the firebox and rest it on the rear log tray.
- 3) Slide the right side brick panel into position and secure in place using the brick clip. Repeat for left side.



Back Brick Panel

Rear Log Tray



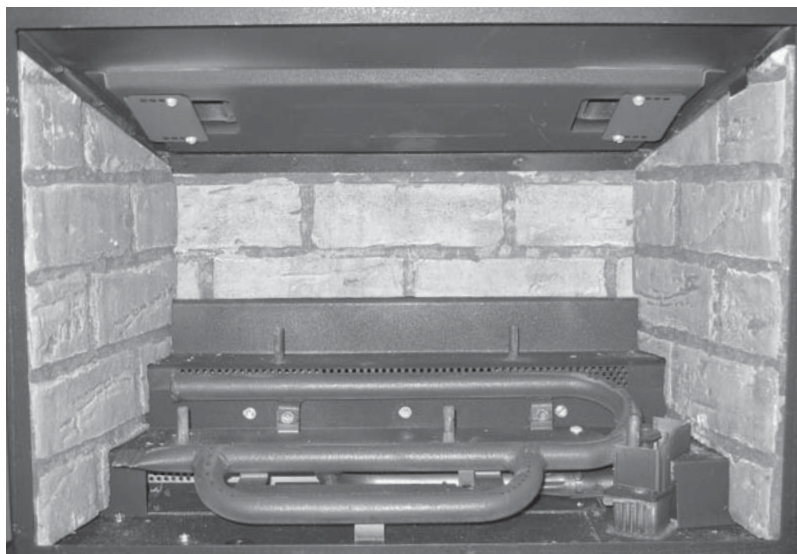
Brick Clip

Right Side Brick Panel

### IMPORTANT

YOUR BRICK PANELS ARE  
MANUFACTURED FROM A SPECIAL HEAT  
REFLECTIVE CERAMIC MATERIAL  
*HANDLE WITH CARE*  
(DO NOT FORCE INTO POSITION)

### Completed Brick Panel Installation





## CONTOUR OR CONTEMPORARY FACEPLATE

### Faceplate Contents List:

1	Faceplate (Contour or Contemporary)
1	Louver (Contour or Contemporary)
4	Screws (10-24 x 1/2" Pan Head Phillips Black)
2	Wire Clips
1	Cable Tie

- Place the 2 wire clips on the inside of the right faceplate panel as shown in diagram 3.

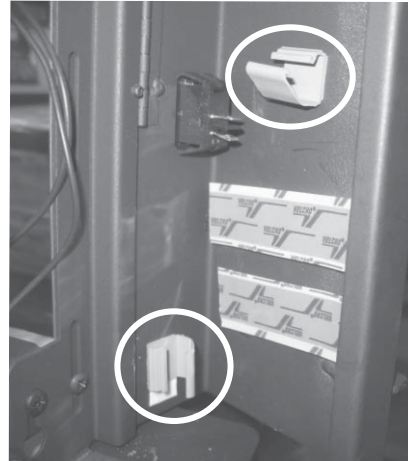


Diagram 3

- From the right side of the unit connect the red female ON/OFF valve connectors to the ON/OFF switch located on the right faceplate panel. See diagram 4.

ON/OFF Connectors

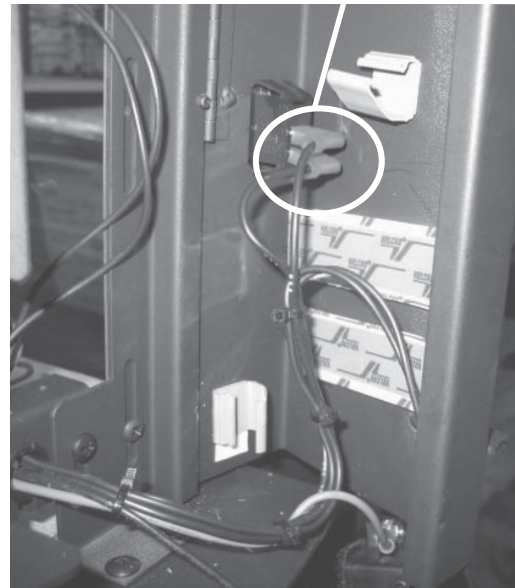


Diagram 4

### Faceplate Installation:

- Place the 4 10-24 x 1/2" screws into the faceplate mounting brackets as identified in diagram 1.

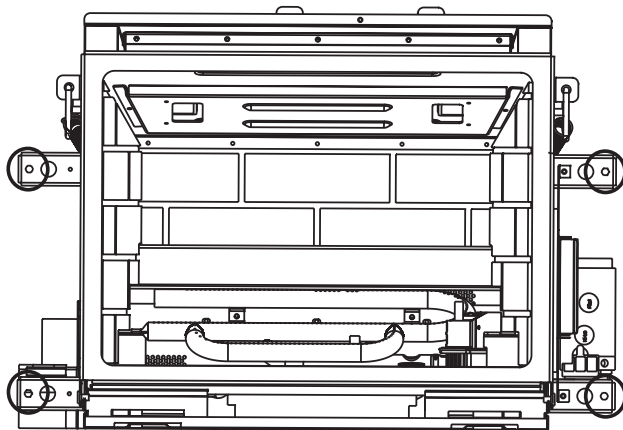
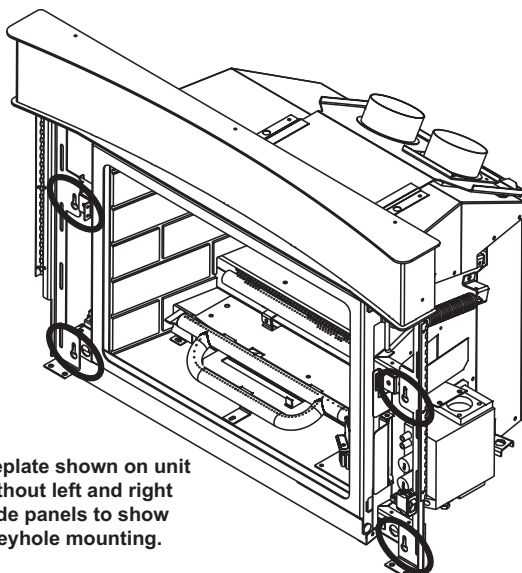


Diagram 1

- Open the left and right side faceplate panels of the faceplate.
- Mount the faceplate onto the unit by aligning the 4 key hole slots in the faceplate with the screws installed to the mounting brackets on the unit. Tighten screws to secure. See diagram 2.



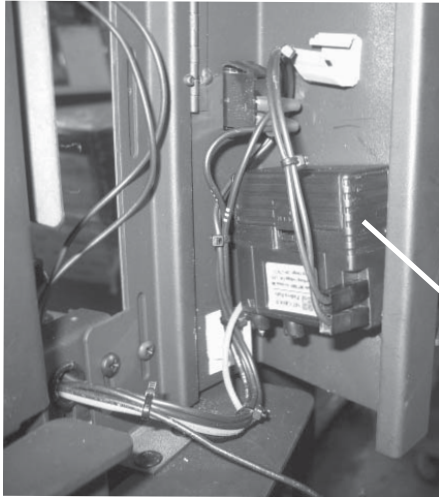
Faceplate shown on unit without left and right side panels to show keyhole mounting.

Diagram 2

# INSTALLATION

- 6) Peel off the tape from the velcro strips and mount the DC Sparker to the velcro on the inside of the right faceplate panel as shown in diagram 5. Install batteries into the DC Sparker (batteries are included with packaged manual).

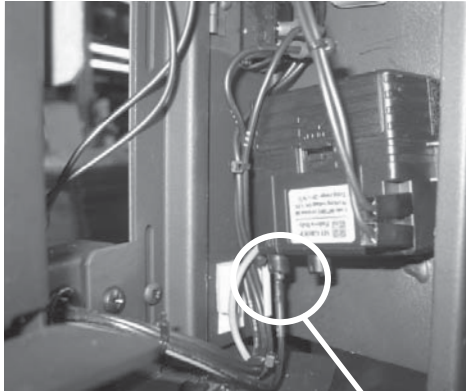
**NOTE:** The DC Sparker comes with the unit. It is cable tied to the top left side mounting bracket.



DC Sparker

Diagram 5

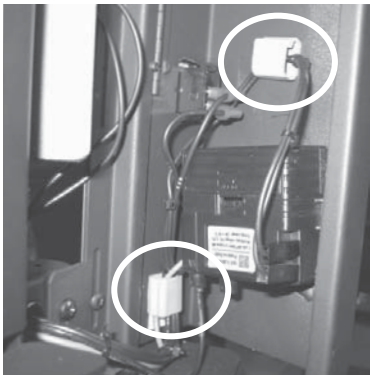
- 7) From the right side of the unit connect the black electrode wire to the DC Sparker as shown in diagram 6.



Electrode Wire

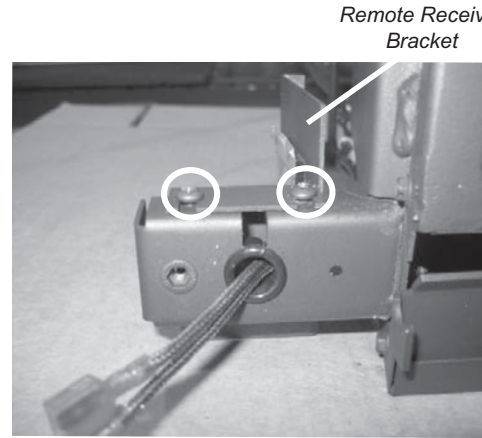
Diagram 6

- 8) Secure the loose wires into the wire clips above and to the bottom left of the DC Sparker as shown in diagram 7.



- 9) Close the right side faceplate panel.

- 10) Remove the remote receiver bracket from the left side of the unit by undoing the 2 screws. See diagram 8.



Remote Receiver Bracket

Diagram 8

- 11) Remove the grommet from the bracket on the left side of the unit. See diagram 9.

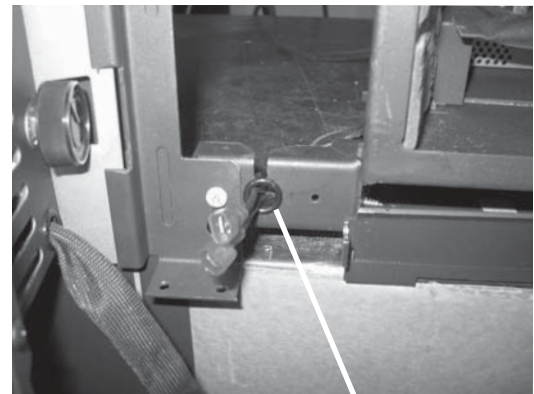


Diagram 9

Grommet

- 12) From the left side faceplate panel expose the fan wires from the sleeve and connect them to the wires from the unit as shown in diagram 10.

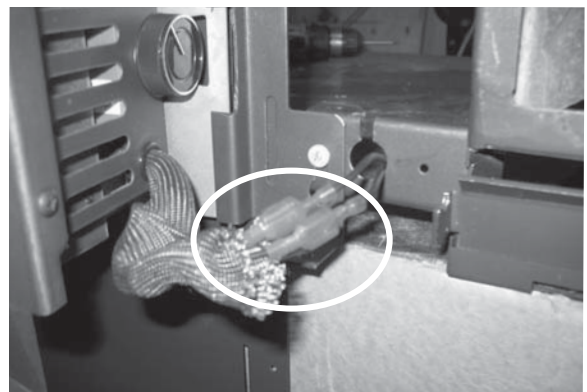


Diagram 10

- 13) Tuck the wires completely into the sleeve and place the supplied cable tie to the end of it as shown in diagram 11.

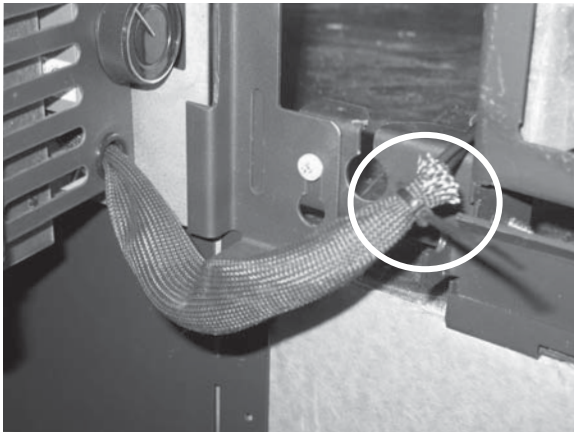


Diagram 11

- 14) Place the grommet removed from step 10 over the sleeve (see diagram 12) and put back in place (see diagram 13).

**NOTE:** Ensure connectors are tucked in behind the mounting bracket to allow the side faceplate panel to close easily.

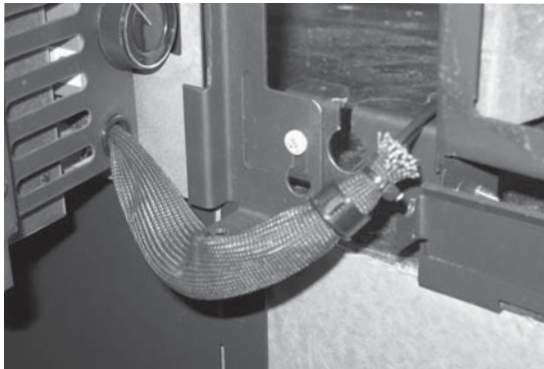


Diagram 12

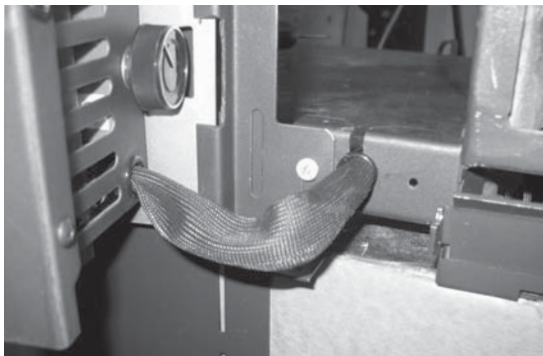


Diagram 13

- 15) Re-install the remote receiver bracket (reverse step 10).

- 16) Close the left side faceplate panel.

- 17) Fit the bottom louver into the slots at the bottom of the firebox as shown in diagram 14.

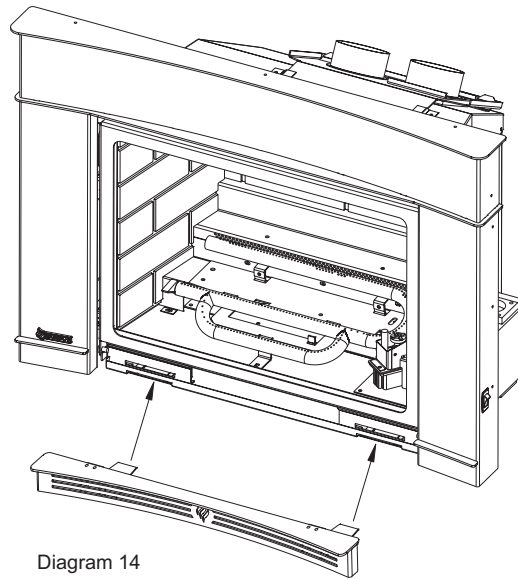
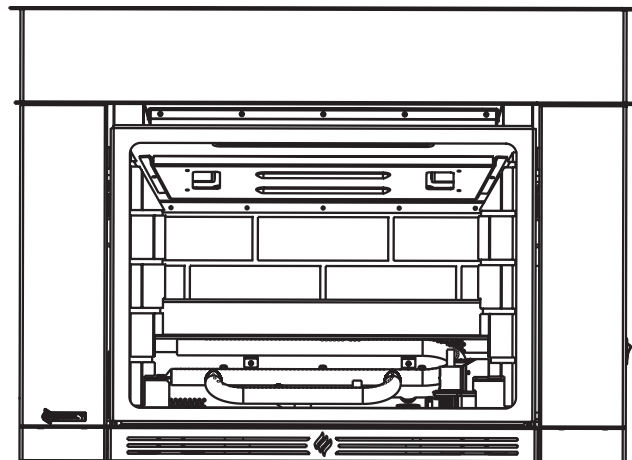
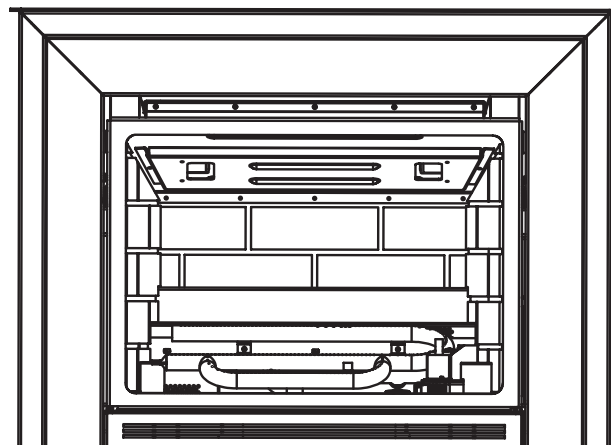


Diagram 14

### Completed Faceplate Installation:



Contemporary Faceplate

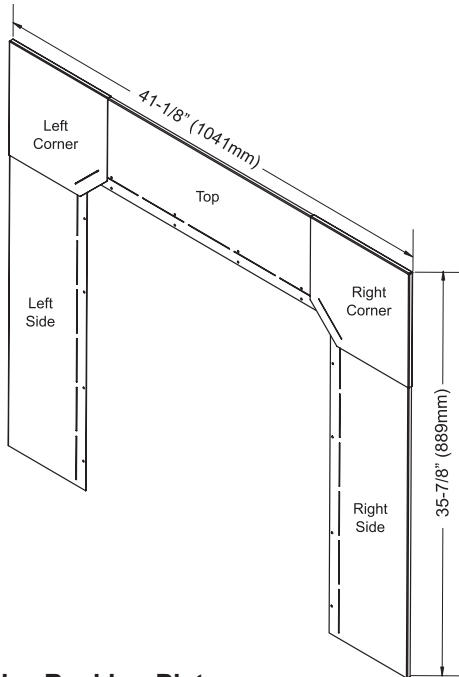


Contour Faceplate

## OPTIONAL BACKING PLATE

Backing Plate Contents List:	
9	Screws (#8 x 1/2" Type B Black)
1	Backing Plate

### Backing Plate Assembly:

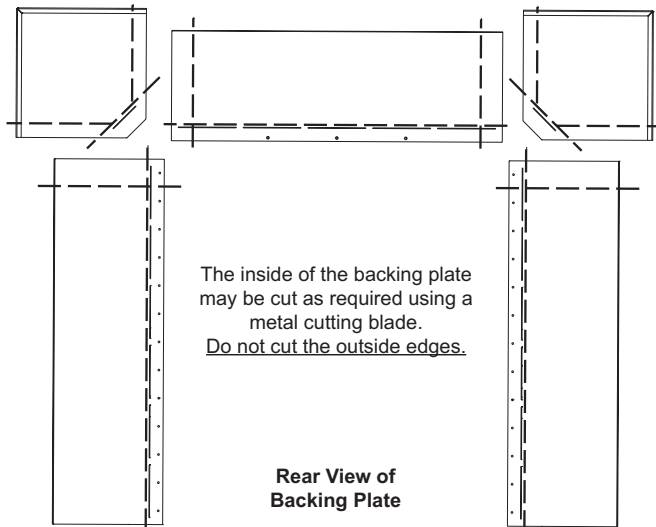


### Customize Backing Plate:

The Backing Plate can be adjusted to custom fit an installation by trimming the inside of the top, corner and side pieces as shown in the diagram below. The dotted lines shown are only an example of where you can cut. Cuts can be made beyond these marks as required.

Trim the backing plate using a metal cutting blade. No cut edges will be exposed once installation is complete.

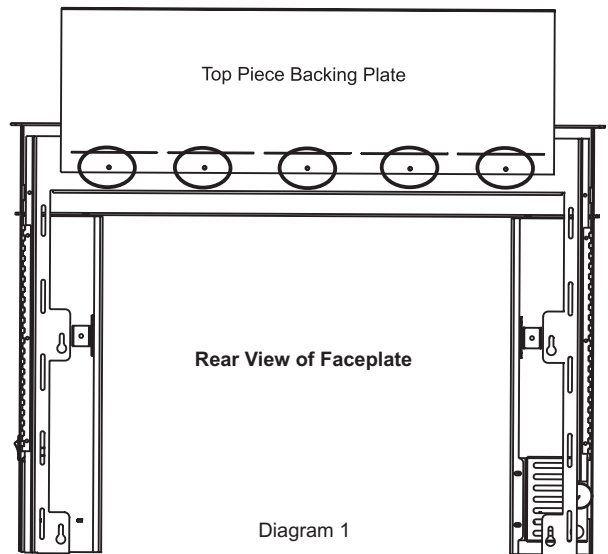
**NOTE:** In place of where any existing screw holes are cut, new holes will need to be drilled for attachment.



### Backing Plate Installation:

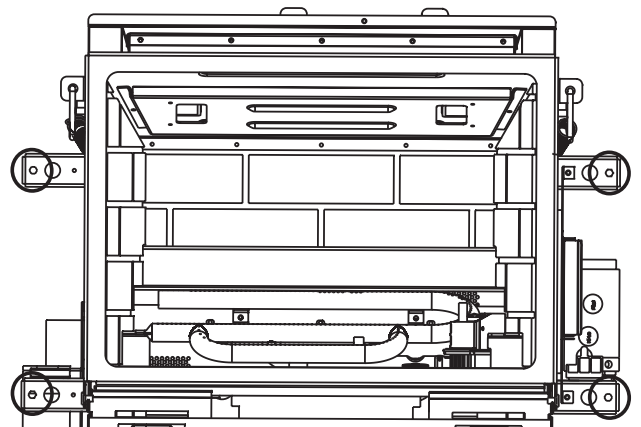
#### Attach Top Backing Plate to Faceplate

- 1) Remove the faceplate (Contour or Contemporary) from the unit if already installed.
- 2) Lay the faceplate on its front, on a soft surface to prevent scratching.
- 3) Attach the top piece of the backing plate to the faceplate using 5 screws provided as shown in diagram 1.



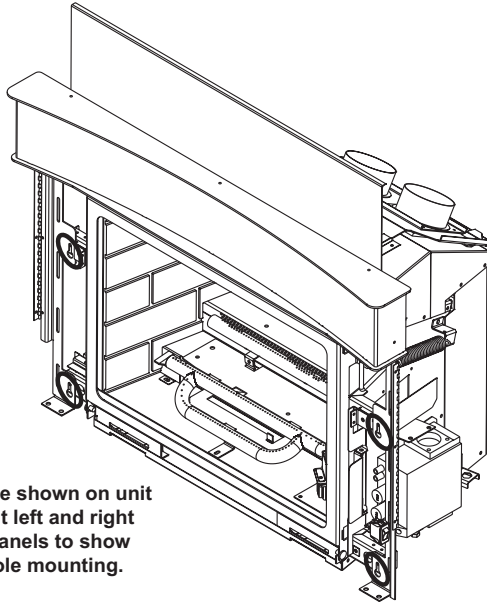
#### Attach Faceplate & Top Backing Plate to Unit

- 4) Place the 4 10-24 x 1/2" screws into the faceplate mounting brackets as identified in diagram 2. Screws are provided with faceplate packaging.





- 5) Open the left and right side faceplate panels of the faceplate.
- 6) Mount the faceplate onto the unit by aligning the 4 key hole slots in the faceplate with the screws installed to the mounting brackets on the unit. Tighten screws to secure. See diagram 3.



Faceplate shown on unit without left and right side panels to show keyhole mounting.

Diagram 3

Attach Left & Right Corner Backing Plate

- 9) Place the right side corner backing plate over the top and right side backing plate. Push in place to secure, see diagram 5. Repeat for left side.

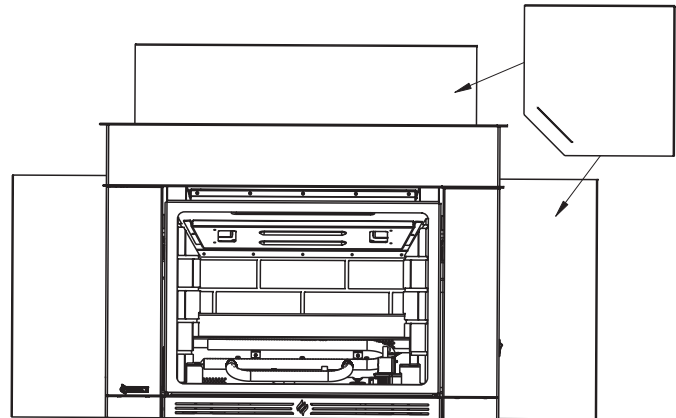
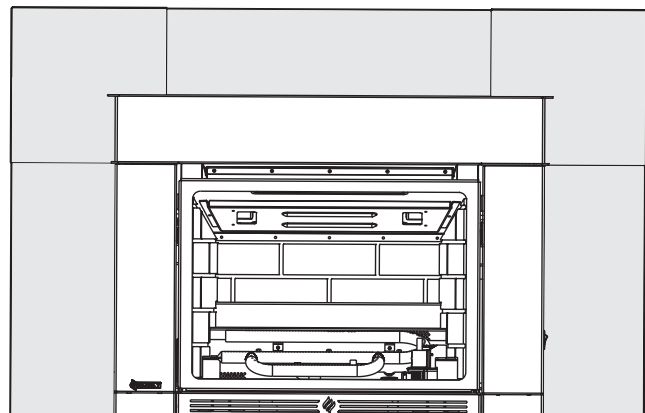


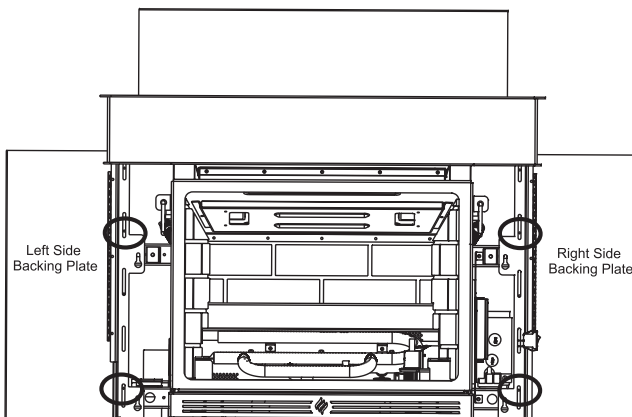
Diagram 5

**Completed Backing Plate Installation:**



Attach Left & Right Backing Plate to Faceplate

- 7) Align the screw holes on the left and right side backing plate with the oblong openings in the faceplate and secure in place using a minimum of 2 screws on each side as shown in diagram 4.



Faceplate shown on unit without left and right side faceplate panels to show mounting of left and right side backing plate.

Diagram 4

- 8) Close the left and right side faceplate panels.

## OPTIONAL HEARTH TRIM

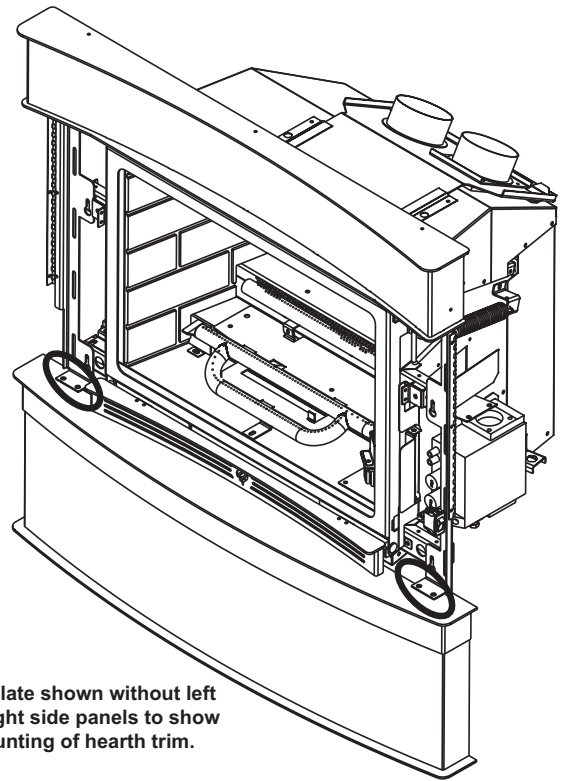
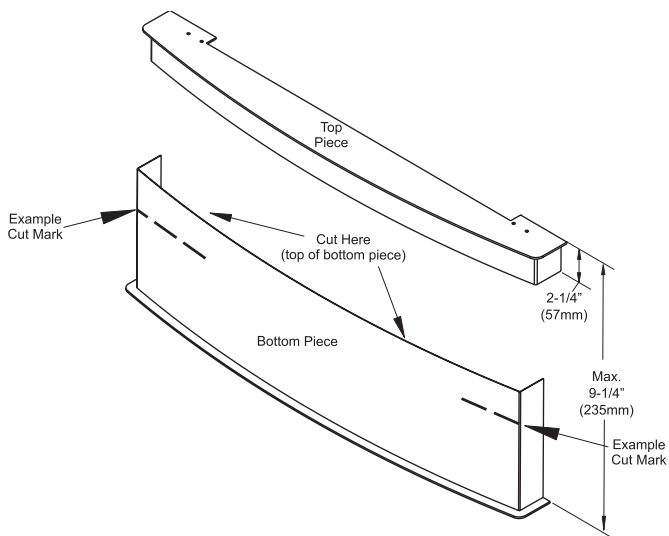
Hearth Trim Contents List:	
4	Screws (10-24 x 1/2" Truss Head)
1	Hearth Trim

### Customize Hearth Trim:

- The Hearth Trim can be adjusted to custom fit an installation by pulling apart the top piece from the bottom piece.
- Cut the top of the bottom piece of the hearth trim to the appropriate height using a metal cutting blade.

**NOTE:** The tab bends at the back of the top piece of the hearth trim should be used as the measuring point to the hearth to measure the height required.

- Reattach the top piece of the hearth trim to the cut bottom piece by fitting in place.



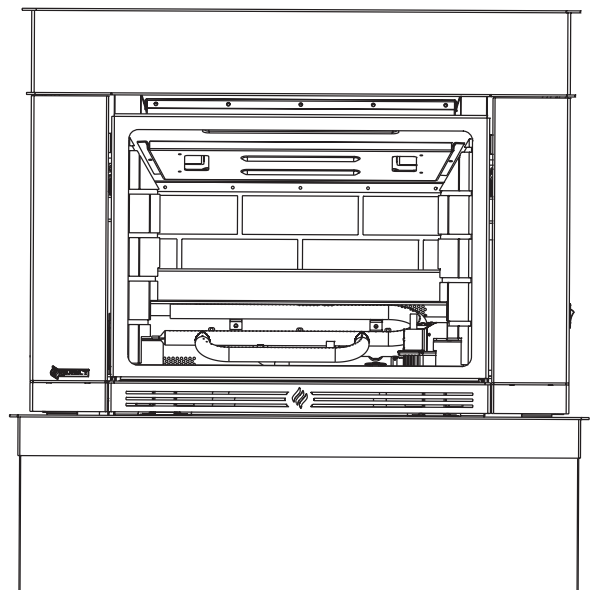
Faceplate shown without left and right side panels to show mounting of hearth trim.

Diagram 1

### Completed Hearth Trim Installation:

#### Hearth Trim Installation:

- Open the left and right side faceplate panels.
- Align the screw holes on the hearth trim with the screw holes on the flanges on the left and right side faceplate. Secure in place using 2 screws on each side as shown in diagram 1.
- Close the left and right side faceplate panels.

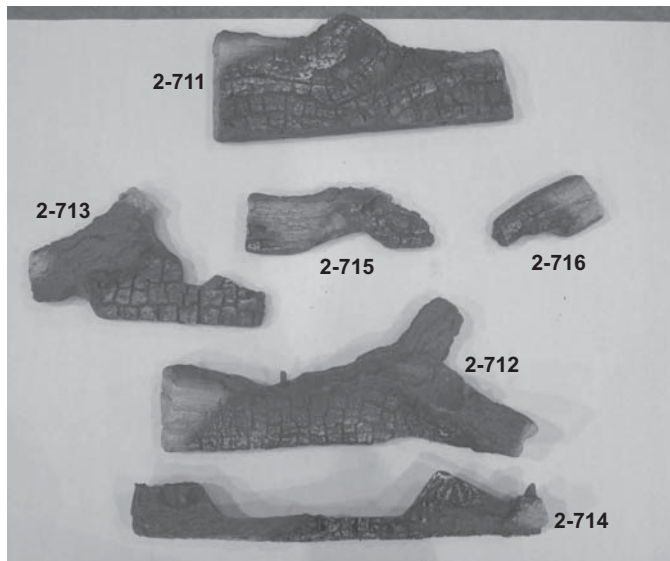
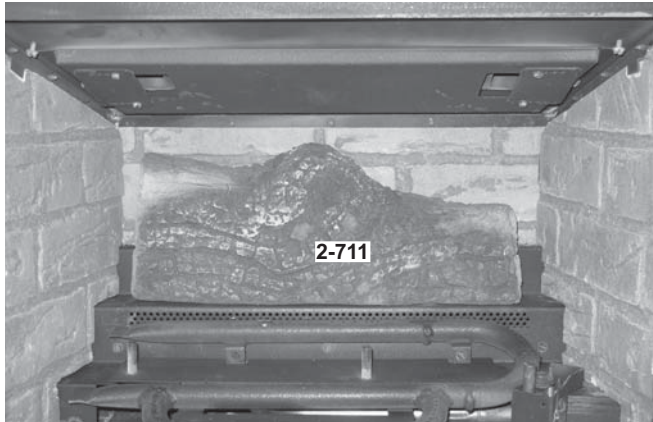


## LOG SET INSTALLATION

Read the instructions below carefully and refer to the images. Dangerous operating conditions may occur if the logs are not positioned in their correct locations. If the logs are broken do not use the unit until they are replaced. Broken logs can interfere with the pilot operation.

Log kit (Part # 536-930) contains the following pieces:

- a) 2-711 Rear Log
- b) 2-712 Center Log
- c) 2-713 Left Log
- d) 2-714 Front Log
- e) 2-715 Top Left Log
- f) 2-716 Top Right Log
- g) Embers (supplied with packaged manual)
- h) 946-669 Platinum Embers (supplied with packaged manual)

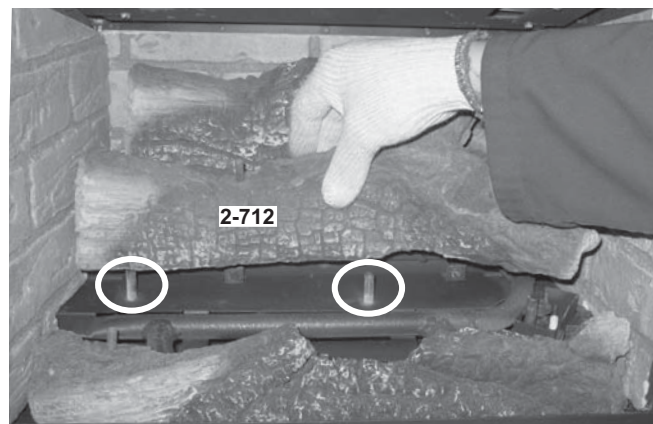
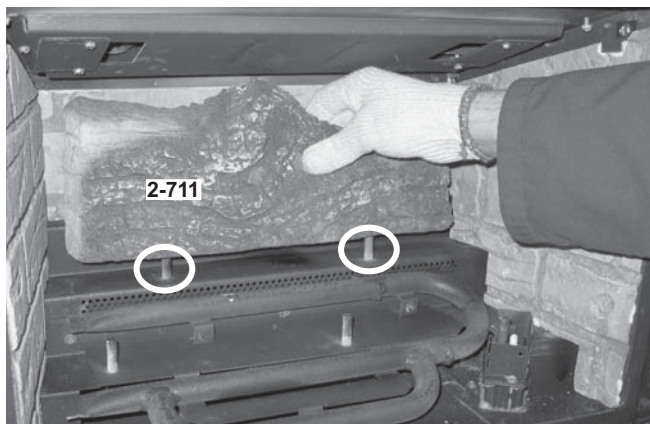


- 3) Place log 2-714 on the base of the firebox in front of the burner.



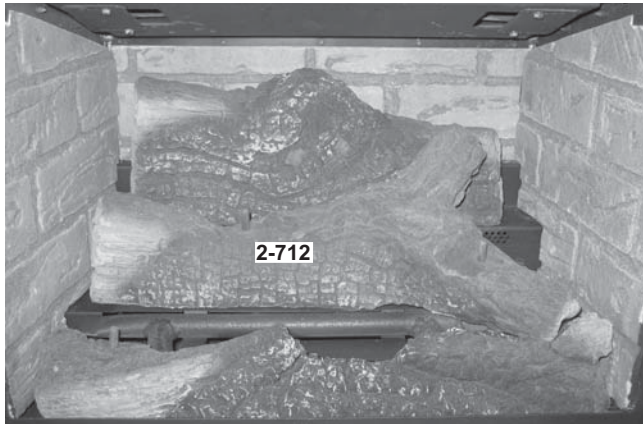
- 4) Fit log 2-712 into the pins on the middle of the burner.

- 1) Carefully remove the logs from the box and unwrap them. The logs are fragile, handle with care - **do not force into position**.
- 2) Fit log 2-711 into the pins on the rear log tray.



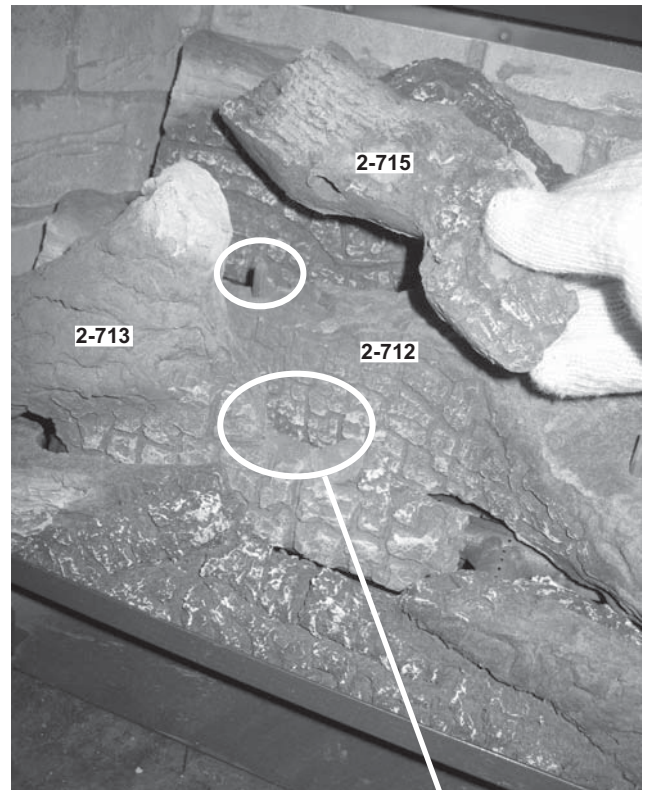
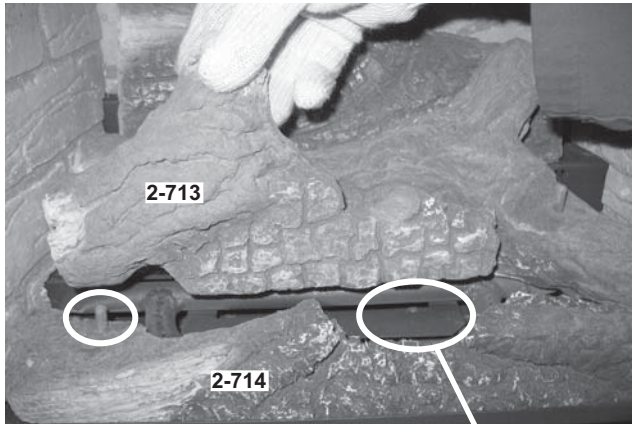


# INSTALLATION



- 6) Place log 2-715 into the pin on log 2-712 and rest the right end of the log on the notch in log 2-713.

- 5) Fit the left side of log 2-713 into the pin on log 2-714 and rest the right side of the log on the burner plate pushing it against the tab.





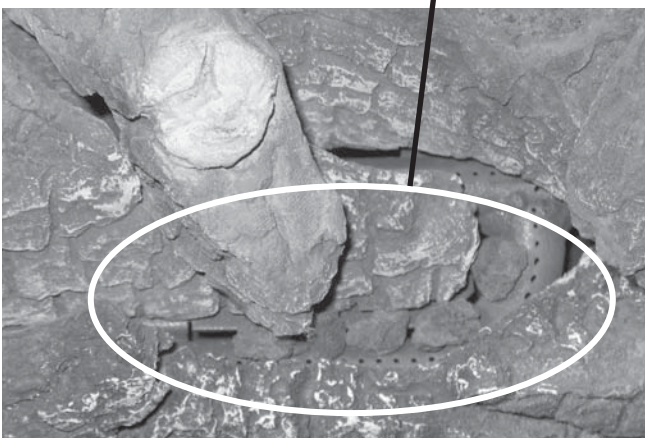
- 7) Place embers on the right side of the burner as shown.



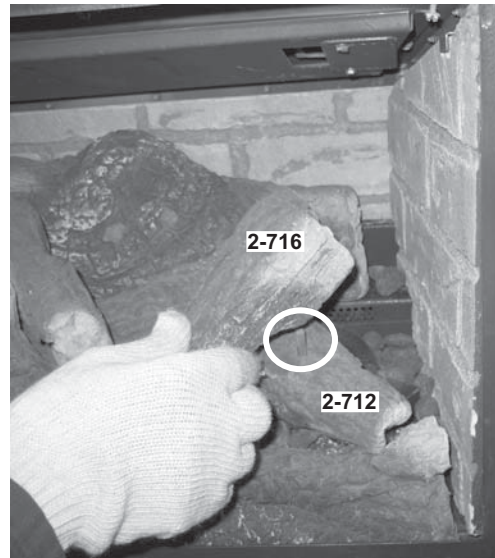
*Right side of Burner*

Also place a few embers along the burner tube next to log 2-713.

Separate platinum embers and place on and around the embers.  
Avoid stacking platinum embers.



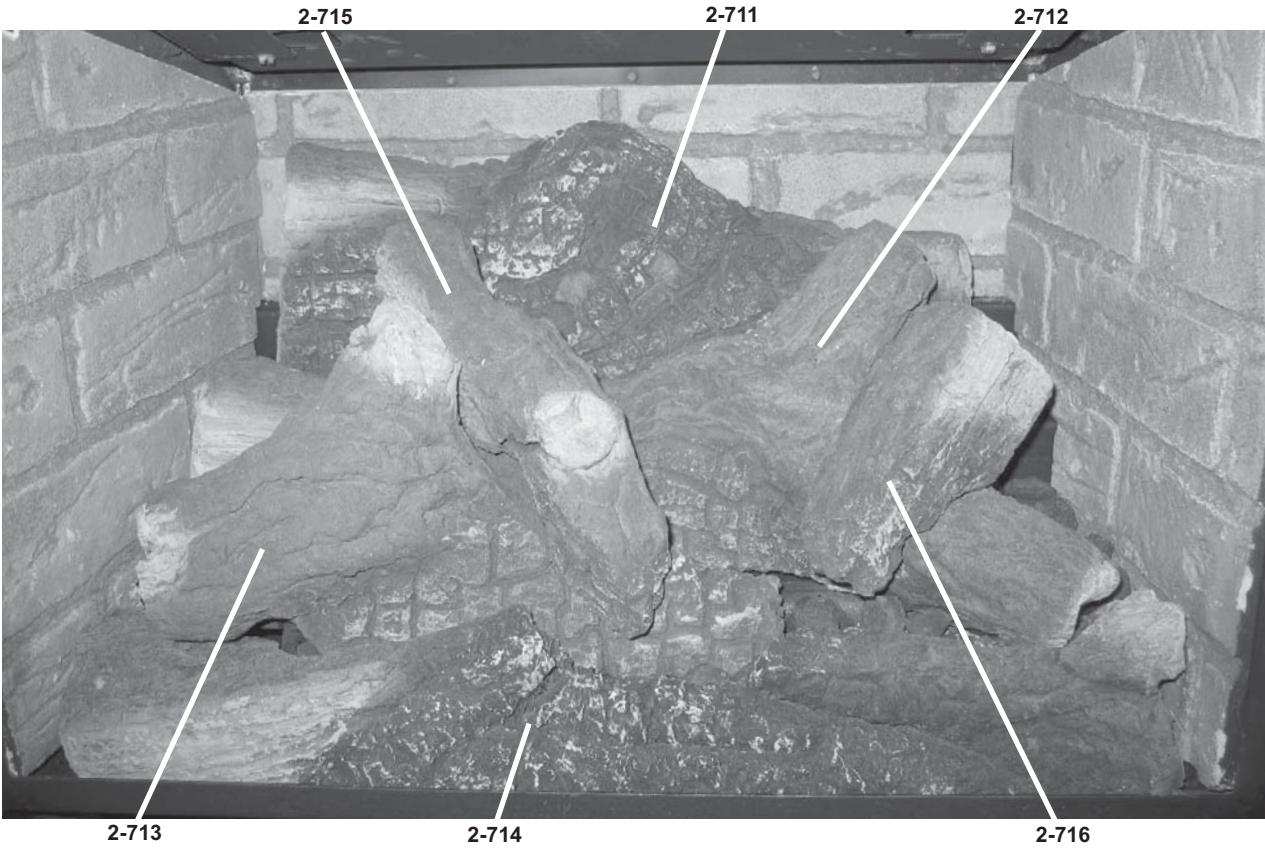
- 8) Fit log 2-716 into the pin on log 2-712.



# INSTALLATION

INSTALLATION

## Completed Log Set Installation



## WIRING DIAGRAMS

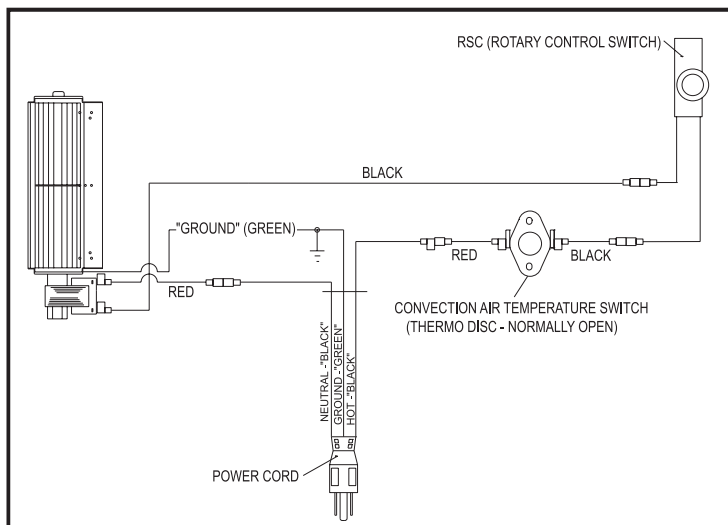
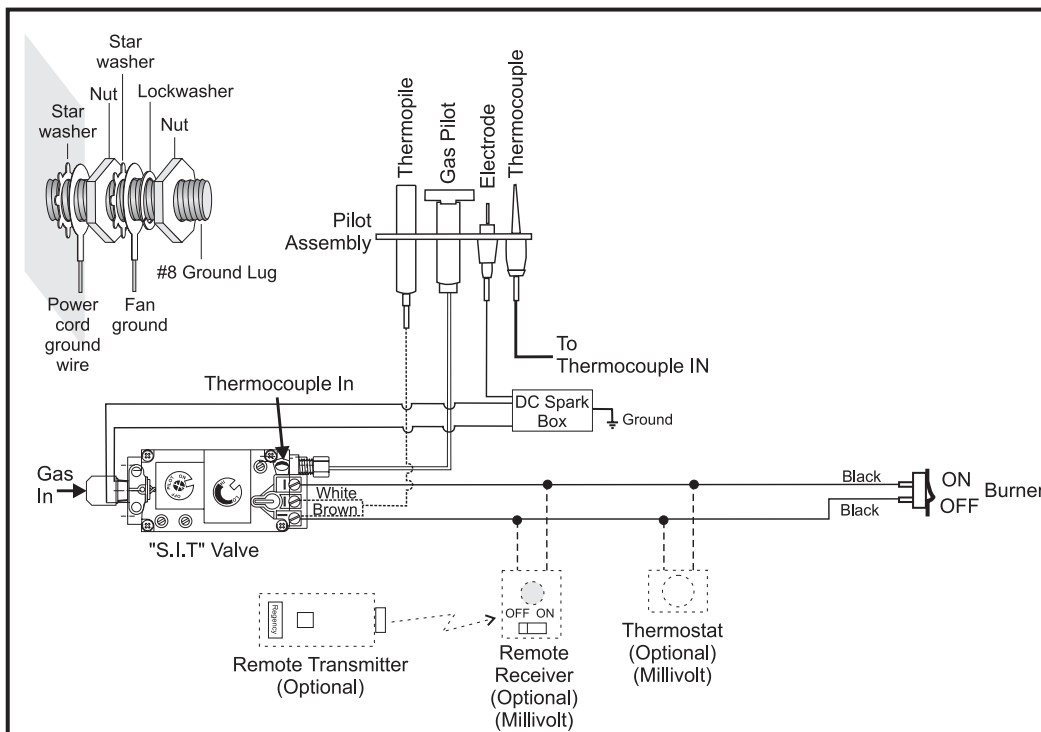
This heater does not require a 120V A.C. supply for operation. However, a 120V A.C. power supply is needed for the fan/blower operation.

**Caution:** Ensure that the wires do not touch any hot surfaces and are away from sharp edges.

**CAUTION:** Label all wires prior to disconnection when servicing controls. Wiring errors can cause improper and dangerous operation.

**WARNING: Electrical Grounding Instructions**

This appliance is equipped with a three pronged (grounding) plug for your protection against shock hazard and should be plugged directly into a properly grounded three-prong receptacle. Do not cut or remove the grounding prong from this plug.



# INSTALLATION

## OPTIONAL REMOTE CONTROL

**IMPORTANT**  
 Due to the extreme heat this gas insert emits, brick panels are required to be installed in the unit when using either remote control option.

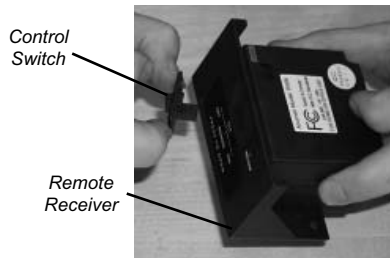
Use of FPI Remote Control Kit #910-399 or #910-368 is approved for this unit. Use of other systems may void your warranty.

The remote control kit comes with a hand held transmitter, a receiver and a wall mounting plate.

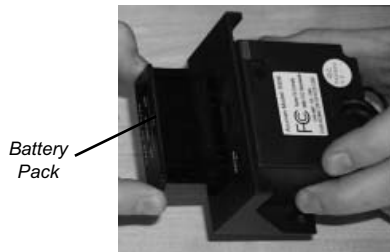
Refer to Remote Control manual for complete user setup and operation instructions.

### Remote Receiver Installation

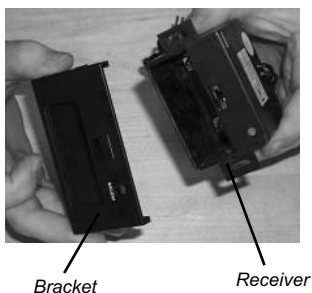
- 1) Remove the control switch from the remote receiver by gently pulling out.



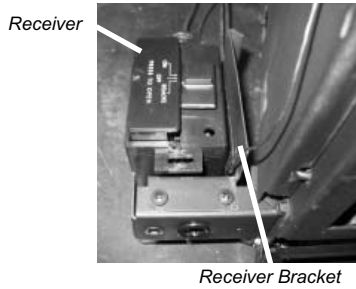
- 2) Remove the spring loaded battery pack by pushing in and then pulling out.



- 3) Remove the receiver from the bracket and discard the bracket.



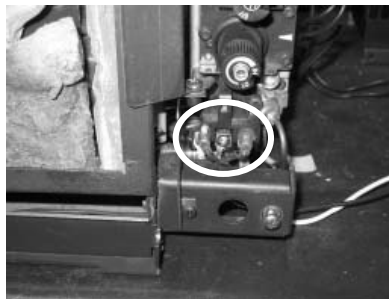
- 4) Re-install the control switch and the battery pack (with batteries).
- 5) Remove the peel off from the velcro on the receiver bracket on the left side of the unit.
- 6) Secure the receiver to the velcro on the receiver bracket.



- 7) Run the receiver wires under the base of the firebox to the left side of the unit.



- 8) Connect the receiver wires to the valve.



- 9) Secure the loose wires under the firebox in the wire clips located on the base of the firebox.

## OPTIONAL WALL THERMOSTAT

A wall thermostat may be installed if desired, follow the wiring diagram below. Note: the wires are connected to the "TH" on the gas valve. Use the table below to determine the maximum wire length. FPI offers an optional programmable thermostat but any 250-750 millivolt rated non-anticipator type thermostat that is CSA, ULC or UL approved may be used.

It is recommended that the thermostat be installed on an interior wall.

**CAUTION**  
 Do not connect the millivolt wall thermostat wires to the 120V wires.

### Thermostat Wire Table

Recommended Maximum Lead Length (Two-Wire) When Using Wall Thermostat (CP-2 System)	
Wire Size	Max. Length
14 GA.	50 Ft.
16 GA.	32 Ft.
18 GA.	20 Ft.
20 GA.	12 Ft.
22 GA.	9 Ft.

## FINAL CHECK

Before leaving this unit with the customer, the installer must ensure that the appliance is firing correctly. This includes:

- 1) Locking the appliance to ensure the correct firing rate (rate noted on label) at 15 minutes.
- 2) If required, adjusting the primary air to ensure that the flame does not carbon. First allow the unit to burn for 15 min. to stabilize.
- 3) Check for proper draft.

**CAUTION**  
 Any alteration to the product that causes sooting or carboning that results in damage to the exterior fascia is not the responsibility of the manufacturer.



# OPERATING INSTRUCTIONS

## FIRST FIRE

The first fire in your insert is part of the paint curing process. To ensure that the paint is properly cured, it is recommended that you burn your fireplace for at least four (4) hours the first time you use it with the fan on. When first operated, the unit will release an odour caused by the curing of the paint, the burning off of any oils remaining from manufacturing. Smoke detectors in the house may go off at this time. Open a few windows to ventilate the room for a couple of hours.

The glass panel may require cleaning after the unit has cooled down.

## DO NOT ATTEMPT TO CLEAN THE GLASS WHILE IT IS HOT.

**Note:** When the glass is cold and the appliance is lit, it may cause condensation and fog the glass. This condensation is normal and will disappear in a few minutes as the glass heats up.

## DO NOT BURN THE APPLIANCE WITHOUT THE GLASS FRONT IN PLACE.

During the first few fires, a white film may develop on the glass front as part of the curing process. The glass should be cleaned or the film will bake on and become very difficult to remove. Use a non-abrasive cleaner and NEVER clean the glass while it is hot.

## OPERATING INSTRUCTIONS

- 1) Read and understand these instructions before operating this appliance.
- 2) Check to see that all wiring is correct and enclosed to prevent possible shock.
- 3) Check to ensure there are no gas leaks.
- 4) Make sure the glass in the door frame is properly positioned. Never operate the appliance with the glass removed.
- 5) Verify that the venting and cap are unobstructed.
- 6) Ensure that the brick panels, if used, are installed.
- 7) Verify log placement. If the pilot cannot be seen when lighting the unit, the logs have been incorrectly positioned.
- 8) The unit should never be turned off, and on again without a minimum of a 60 second wait.

## LIGHTING PROCEDURE

**IMPORTANT**  
Prior to igniting or reigniting the pilot, remove the glass door.

**NOTE:** For all propane units and units equipped with electric spark boxes, see "Copy of Lighting Plate Instructions" section for more details.

Only when the pilot holds, without pressure being applied to the control knob, should you reinstall the glass door. The unit must not be operated with the glass door removed.

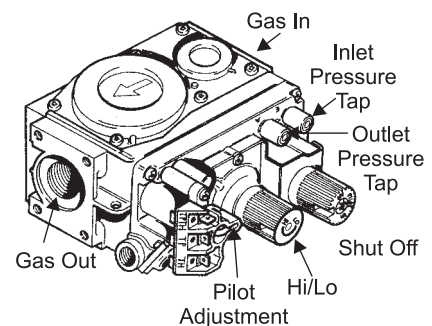
**IMPORTANT:** Gas on/off knob cannot be turned from "PILOT" to "OFF" unless it is partially depressed.

- 1) Turn burner OFF using "ON/OFF" switch.
- 2) Turn gas control knob so indicator points to "OFF" position and allow 5 minutes for any gas in the combustion chamber to escape.

- 3) Turn gas control knob counterclockwise so indicator points to the "PILOT" position. Depress the gas control knob fully. Depress the ignitor button several times until the pilot lights. After approximately one minute, release the gas control knob. The pilot flame should continue to burn. If the pilot does not remain lit, repeat operation allowing a longer period before releasing gas control knob.
- 4) When the pilot stays lit, turn the gas knob further counterclockwise to the "ON" position.
- 5) Reinstall the glass door (refer to the "Standard Flush Door" section).
- 6) Use the switch, thermostat or remote control to turn on the unit.
- 7) Rotate the flame height regulator to adjust the flame height higher or lower.

## SHUTDOWN PROCEDURE

- 1) Use the switch, thermostat or remote control to turn off the main burner.
- 2) Turn the main gas control clockwise to the "OFF" position to turn off the pilot.
- 3) Turn off all electric power to appliance if service is to be performed.



# OPERATING INSTRUCTIONS

## COPY OF LIGHTING INSTRUCTION PLATE

## AUTOMATIC CONVECTION FAN OPERATION

The fan operates automatically. Turn the knob on the left side of the faceplate to adjust to the desired speed. The fan will turn on as the insert comes up to operating temperature. After the unit has been turned off and the unit has been cooled to below useful heat output range, the fan will shut off automatically.

## NORMAL OPERATING SOUNDS OF GAS APPLIANCES

It is possible that you will hear some sounds from your gas appliance. This is perfectly normal due to the fact that there are various gauges and types of steel used within your appliance. Listed below are some examples. All are **normal operating sounds** and should not be considered as defects in your appliance.

### Blower:

FPI gas appliances use high tech blowers to push heated air farther into the room. It is not unusual for the fan to make a "whirring" sound when ON. This sound will increase or decrease in volume depending on the speed setting of your fan speed control.

### Burner Tray:

The burner tray is positioned directly under the burner tube(s) and logs and is made of a different gauge material from the rest of the firebox and body. Therefore, the varying thicknesses of steel will expand and contract at slightly different rates which can cause "ticking" and "cracking" sounds. You should also be aware that as there are temperature changes within the unit. These sounds will likely re-occur. Again, this is normal for steel fireboxes.

### Blower Thermodisc:

When thermally activated switch turns ON, it will create a small "clicking" sound. This is the contact switch closing.

### Pilot Flame:

While the pilot flame is on it will make a slight "whisper" sound.

### Gas Control Valve:

As the gas control valve turns ON and OFF, a dull clicking sound may be heard. This is normal operation of a gas regulator or valve.

### Unit Body and Firebox:

Different types and thicknesses of steel will expand and contract at different rates resulting in some "cracking" and "ticking" sounds which will be heard throughout the cycling process.

### FOR YOUR SAFETY READ BEFORE LIGHTING

This appliance must be installed in accordance with local codes, if any; if none, follow the National Fuel Gas Code, ANSI Z223.1/NFPA 54, or Natural Gas and Propane Installation Codes, CSA B149.1. (Australia: AG601, New Zealand: NZS 5261)

**WARNING: If you do not follow these instructions exactly, a fire or explosion may result causing property damage, personal injury or loss of life. Improper installation, adjustment, alteration, service or maintenance can cause injury or property damage. Refer to the owner's information manual provided with this appliance. For assistance or additional information consult a qualified installer, service agency or gas supplier.**

- This appliance has a pilot which must be lighted by hand. When lighting the pilot, follow these instructions exactly.
- BEFORE LIGHTING** smell all around the appliance area for gas. Be sure to smell next to the floor because some gas is heavier than air and will settle on the floor.  
**WHAT TO DO IF YOU SMELL GAS**
  - Do not try to light any appliance.
  - Do not touch any electric switch, do not use any phone in your building.
  - Immediately call your gas supplier from a neighbour's phone. Follow the gas supplier's instructions.
  - If you cannot reach your gas supplier, call the fire department.
- Use only your hand to push in or turn the gas control knob. Never use tools. If the knob will not push in or turn by hand, don't try to repair it, call a qualified service technician. Force or attempted repair may result in a fire or explosion.
- Do not use this appliance if any part has been under water. Immediately call a qualified service technician to inspect the appliance and to replace any part of the control system and any gas control which has been under water.
- This appliance needs fresh air for safe operation and must be installed so there are provisions for adequate combustion and ventilation air.

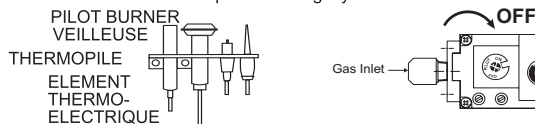
**CAUTION: Hot while in operation. Do not touch. Severe Burns may result. Due to high surface temperatures keep children, clothing and furniture, gasoline and other liquids having flammable vapors away. Keep burner and control compartment clean. See installation and operating instructions accompanying appliance.**

### LIGHTING INSTRUCTIONS

**STOP! Read the safety information above on this label.**

#### FOR UNITS NOT EQUIPPED WITH ELECTRIC SPARK BOXES:

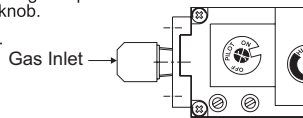
- Push in gas control knob slightly and turn clockwise to "OFF". Knob cannot be turned from "PILOT" to "OFF" unless knob is pushed in slightly. Do not force.



- Wait five (5) minutes to clear out any gas. If you then smell gas STOP! Follow step "B" in the Safety Information above on this label. If you don't smell gas, go to the next step.
- Turn knob on gas control counterclockwise to "PILOT".
- Push in control knob all the way and hold in. Continually push and release the black button on spark igniter until pilot lights. Continue to hold the control knob in for about 1/2 minute after the pilot is lit. Release knob and it will pop back up. Pilot should remain lit. If it goes out, repeat steps 1) to 4). If knob does not pop up when released, stop and immediately call your service technician or gas supplier. If the pilot will not stay lit after several tries, turn the gas control knob to "OFF" and call your service technician or gas supplier.
- Turn gas control knob counterclockwise to "ON".
- Use rocker switch to operate main burner.

#### FOR ALL PROPANE UNITS AND UNITS EQUIPPED WITH ELECTRIC SPARK BOXES:

- Push in gas control knob slightly and turn to "PILOT" position.
- Push in control knob all the way and hold in until the pilot lights up. Continue to hold the control knob in for about 20 seconds after the pilot is lit. Release knob.
- Push in gas control knob slightly and turn to "ON" position.
- Turn ON the flame switch.



### TO TURN OFF GAS APPLIANCE

- Turn off the flame switch.
- Push in the gas control knob slightly and turn clockwise to "OFF". Do not force.
- Turn off all electric power to the appliance if service is to be performed.  
You may shut off the pilot during prolonged non use periods to conserve fuel.

**DO NOT REMOVE THIS INSTRUCTION PLATE** 918-473

## MAINTENANCE INSTRUCTIONS

- 1) Always turn the gas valve to the off position before cleaning. For relighting, refer to lighting instructions. Keep the burner and control compartment clean by brushing and vacuuming at least once a year. When cleaning the logs, use a clean soft paint brush as the logs are fragile and easily damaged.
- 2) Clean (never when unit is hot) appliance, door and louvers with a damp cloth. Never use an abrasive cleaner. The finishes on louvers and doors may be scratched if abrasives are used to clean them. The heater is finished in a heat resistant paint and should only be refinished with heat resistant paint (not with wall paint). FPI uses StoveBrite Paint - Metallic Black #6309.
- 3) Make a periodic check of the burner for proper position and condition. Visually check the flame of the burner periodically, making sure the flames are steady: not lifting or floating. If there is a problem, call a qualified service person.
- 4) The appliance and venting system must be inspected before use, and at least annually, by a qualified field service person, to ensure that the flow of combustion and ventilation air is not obstructed. During the annual service call, the burners should be removed and cleaned from the burner tray.
- 5) Keep the area near the appliance clear and free from combustible materials, gasoline and other flammable vapours and liquids.

**WARNING: CHILDREN AND ADULTS SHOULD BE ALERTED TO THE HAZARDS OF HIGH SURFACE TEMPERATURE AND SHOULD STAY AWAY TO AVOID BURNS OR CLOTHING IGNITION. YOUNG CHILDREN SHOULD BE CAREFULLY SUPERVISED WHEN THEY ARE IN THE SAME ROOM AS THE APPLIANCE.**

**CAUTION: ANY SAFETY SCREEN OR GUARD REMOVED FOR SERVICING AN APPLIANCE MUST BE REPLACED PRIOR TO OPERATING THE APPLIANCE.**

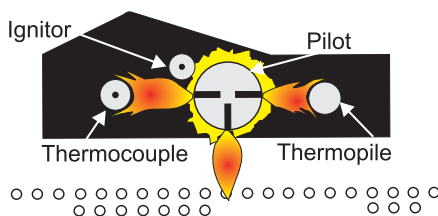
**CLOTHING OR OTHER FLAMMABLE MATERIAL SHOULD NOT BE PLACED ON OR NEAR THE APPLIANCE.**

- 6) Each time the appliance is lit, it may cause condensation and fog the glass. This condensation and fog is normal and will disappear in a few minutes as the glass heats up.

**Never operate the appliance without the glass properly secured in place or with the door open.**

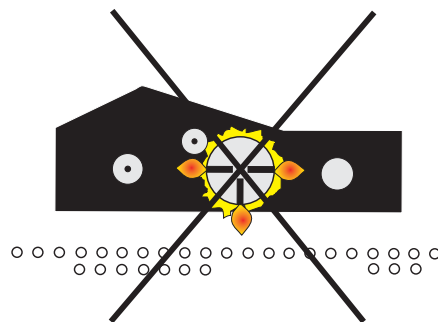
- 7) Do not use this appliance if any part has been under water. Immediately call a qualified service technician to inspect the appliance and to replace any part of the control system and any gas control which has been under water.
- 8) Periodically check the pilot flames. Correct flame pattern has three strong blue flames: 1 flowing around the thermopile and 1 around the thermocouple, and 1 flowing across the front of the burner.

**Note: If you have an incorrect flame pattern, contact your FPI dealer for further instructions.**



**Front Burner Tube  
Top view of pilot flame**

Incorrect flame pattern will have small, probably yellow flames, not coming into proper contact with the rear of the burner or thermopile.



**Front Burner Tube  
Top View of pilot flame**

## GENERAL VENT MAINTENANCE

Conduct an inspection of the venting system semi-annually. Recommended areas to inspect as follows:

- 1) Check the Venting System for corrosion in areas that are exposed to the elements. These will appear as rust spots or streaks, and in extreme cases, holes. These components should be replaced immediately.

- 2) Remove the Termination Cap, and shine a flashlight down the Vent. Remove any bird nests, or other foreign material.
- 3) Check for evidences of excessive condensation, such as water droplets forming in the inner liner, and subsequently dripping out the joints. Continuous condensation can cause corrosion of caps, pipe, and fittings. It may be caused by having excessive lateral runs, too many elbows, and exterior portions of the system being exposed to cold weather.
- 4) Inspect joints to verify that no pipe sections or fittings have been disturbed, and consequently loosened. Also check mechanical supports such as Wall Straps, or plumbers' tape for rigidity.

## LOG REPLACEMENT

The unit should never be used with broken logs. Turn off the gas valve and allow the unit to cool before opening door to carefully remove the logs. The pilot light generates enough heat to burn someone. If for any reason a log should need replacement, you must use the proper replacement log. The position of these logs must be as shown in the diagram under Log Installation.

**NOTE:** Improper positioning of logs may create carbon build-up and will alter the unit's performance which is not covered under warranty.

## GLASS GASKET

If the glass gasket requires replacement use a tadpole gasket for the Flush Front (Part # 936-155).

## DOOR GLASS

Your FPI insert is supplied with high temperature, 5 mm Neoceram ceramic glass that will withstand the highest heat that your unit will produce. Do not abuse the glass by striking the surface or by slamming the door shut.

If your glass requires cleaning, we recommend using an approved glass cleaner available at all authorized dealers. **Do not use abrasive materials. Do not clean the glass when hot.**

In the event that you break your glass by impact, purchase your replacement from an authorized FPI dealer only, do not use substitute materials. Follow our step-by-step instructions for replacement. **Warning: Wear gloves when removing damaged or broken glass.**

**Caution: Do not operate appliance with glass panels removed, cracked or broken. Replacement of the glass should be done by a licensed or qualified service person.**

## FAN REPLACEMENT

- 1) Unplug the power source.
- 2) Open the left and right side faceplate panels.
- 3) Remove the bottom louver by pulling out.
- 4) Remove the glass door.

a) Pull off the left side spring hook that holds the door in place. While holding the hook turn it upside down and place it into the middle opening on the top side mounting bracket. Repeat for right side.

Spring Hook

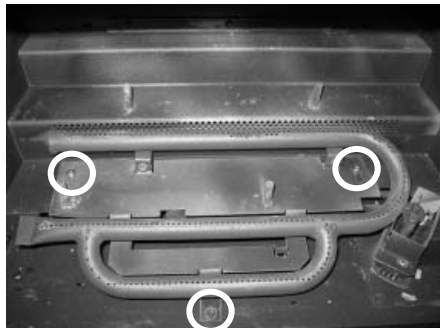


Top Mounting Bracket

b) Swing the door out 45 degrees and lift up and out.

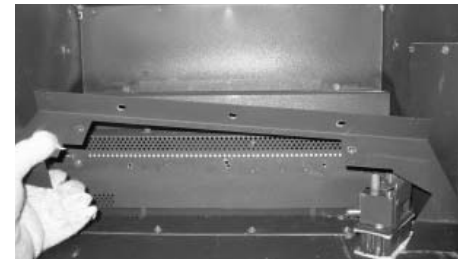
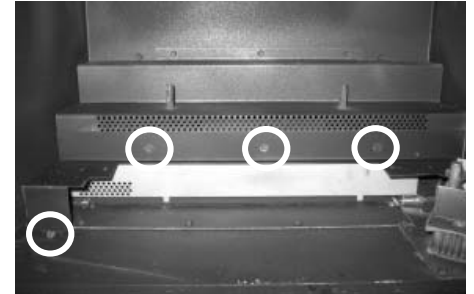


- 5) Remove the logs.
- 6) Remove brick panels, if installed.
- 7) Remove the burner by undoing the 3 screws.



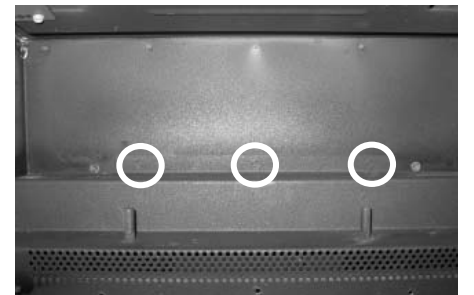
Burner Removed

8) Remove the burner tray by undoing the 4 screws.



Burner Tray Removed

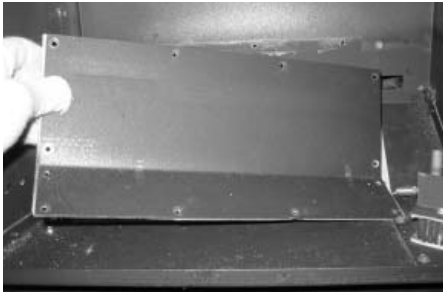
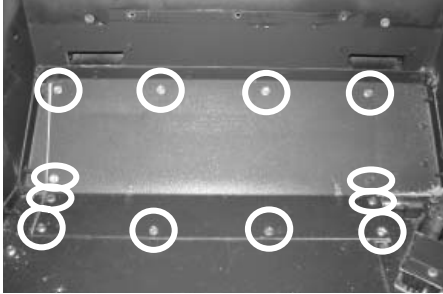
9) Remove the rear log tray by undoing the 3 screws.



Rear Log Tray Removed

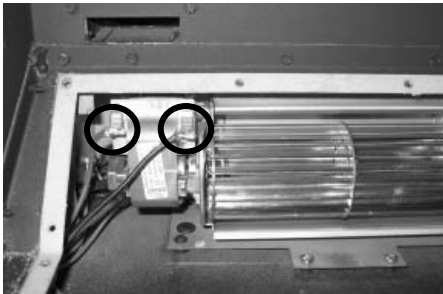


- 10) Remove the fan cover plate by undoing the 12 screws that hold it in place.

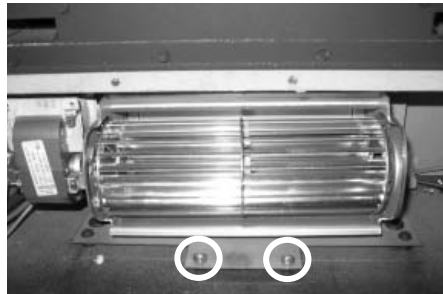


*Fan Cover Plate Removed*

- 11) Unplug the fan connector wires.



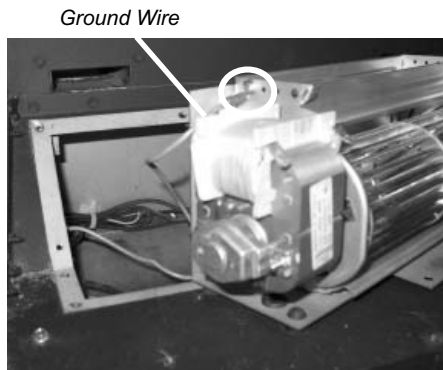
- 12) Remove the 2 screws that hold the fan bracket in place.



- 13) Remove the fan by sliding the fan forward and lift up and out.



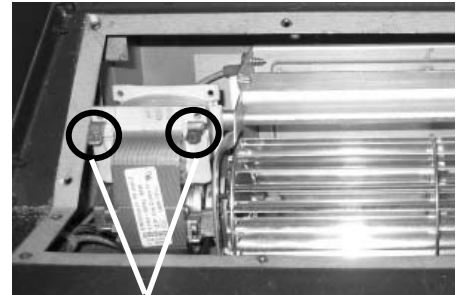
- 14) Remove the ground screw which holds the ground wire.



*Ground Wire*

- 15) Replace the fan.

**NOTE:** Bend the connector clips down before re-installing the fan cover plate.



*Connector Clips*

- 16) Reverse steps 14 - 1.

# MAINTENANCE

## VALVE REPLACEMENT

- 1) Open the left and right side faceplate panels.
- 2) Remove the bottom louver by pulling out.
- 3) Remove the glass door.

a) Pull off the left side spring hook that holds the door in place. While holding the hook turn it upside down and place it into the middle opening on the top side mounting bracket. Repeat for right side.



- b) Swing the door out 45 degrees and lift up and out.

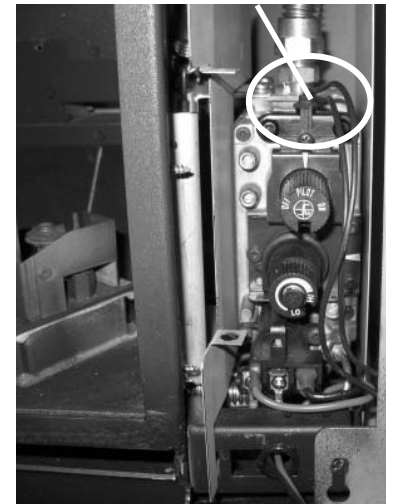


- 4) Remove the logs.
- 5) Remove brick panels, if installed.
- 6) Remove the valve shield by undoing the 2 screws.



- 7) Disconnect the gas connection to the valve.
- 8) Disconnect the ignitor wire from the DC Sparker.
- 9) Disconnect the valve wires from the DC Sparker.

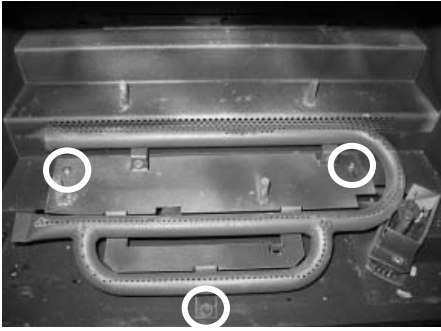
DC Sparker Wires



- 10) Unplug the 2 connectors from the valve.

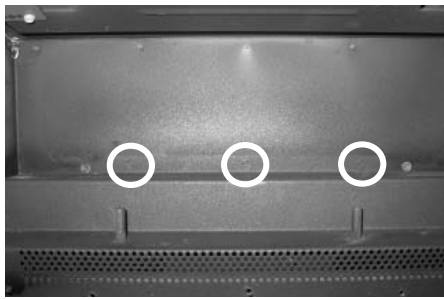


11) Remove the burner by undoing the 3 screws.



*Burner Removed*

13) Remove the rear log tray by undoing the 3 screws.



*Rear Log Tray Removed*

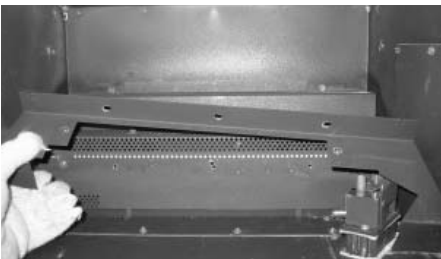
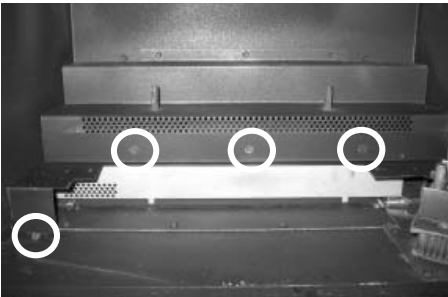


*Valve Removed*

15) Replace the valve.

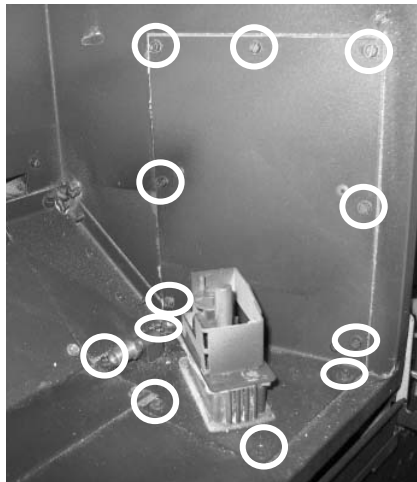
16) Reverse steps 14 - 1.

12) Remove the burner tray by undoing the 4 screws.



*Burner Tray Removed*

14) Remove the 12 screws that hold the valve tray to the firebox and carefully pull out.



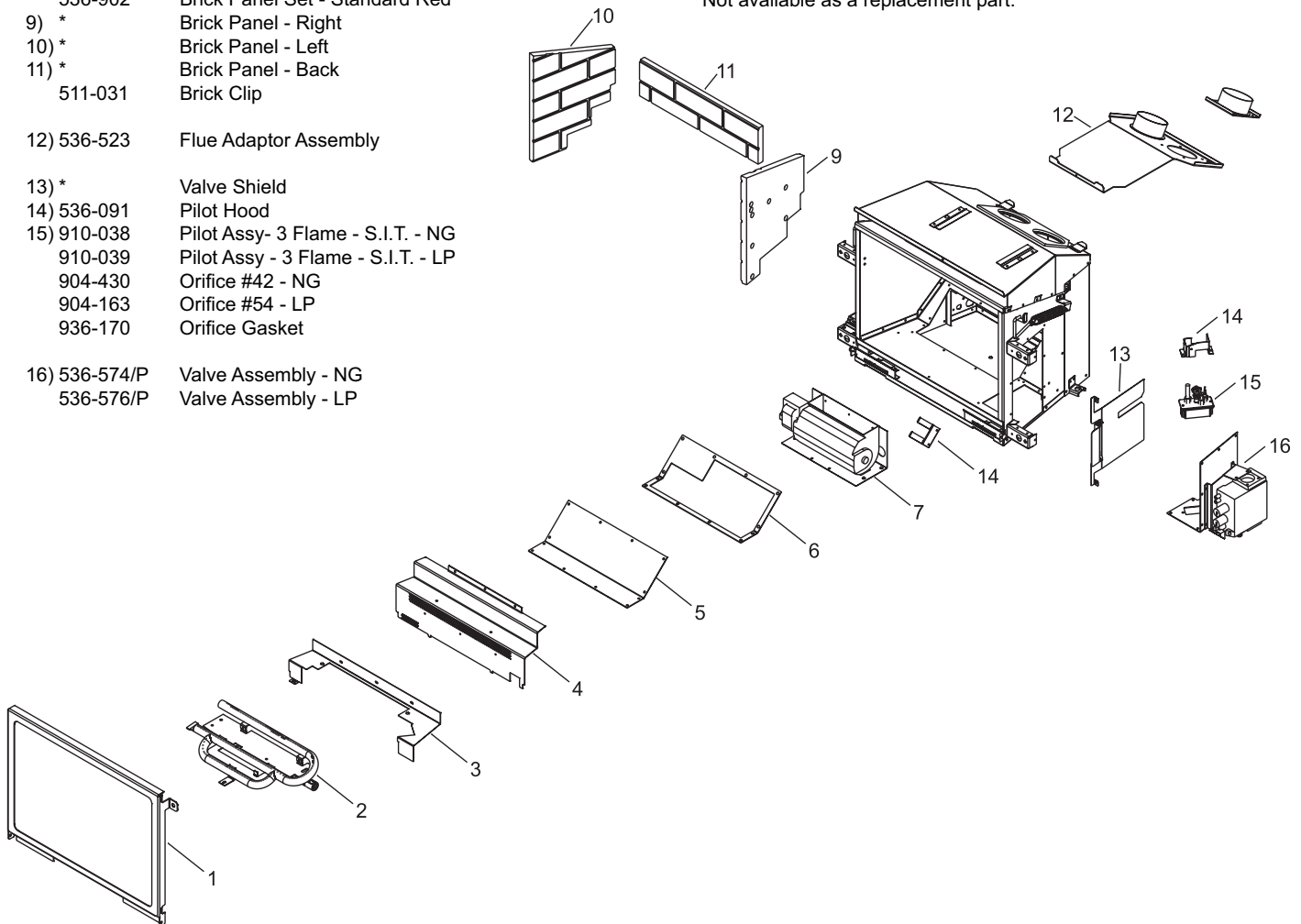
# PARTS LIST

## MAIN ASSEMBLY

Part #	Description
1) 940-355/P	Glass
536-539	Door Frame Assembly
536-540	Door Frame Assembly with Glass
2) 948-463	Burner Assy - NG/LP
3) 536-092	Log Tray Middle
4) 536-014	Log Tray Rear
5) 536-011	Fan Access Plate
6) 536-107	Gasket - Fan Access Plate
7) 536-517/P	Fan Assembly 120 V
910-215/P	Fan Motor 120 V
910-794	Power Cord
910-985	Wire Harness (Faceplate) - Black
910-986	Wire Harness (Faceplate) - Red
910-692	Wire Fan to Power Cord Ground
910-142	Fan Auto On/Off Thermdisc
536-522	Baffle Plate Assembly
536-901	Brick Panel Set - Standard Brown
536-902	Brick Panel Set - Standard Red
9) *	Brick Panel - Right
10) *	Brick Panel - Left
11) *	Brick Panel - Back
511-031	Brick Clip
12) 536-523	Flue Adaptor Assembly
13) *	Valve Shield
14) 536-091	Pilot Hood
15) 910-038	Pilot Assy- 3 Flame - S.I.T. - NG
910-039	Pilot Assy - 3 Flame - S.I.T. - LP
904-430	Orifice #42 - NG
904-163	Orifice #54 - LP
936-170	Orifice Gasket
16) 536-574/P	Valve Assembly - NG
536-576/P	Valve Assembly - LP

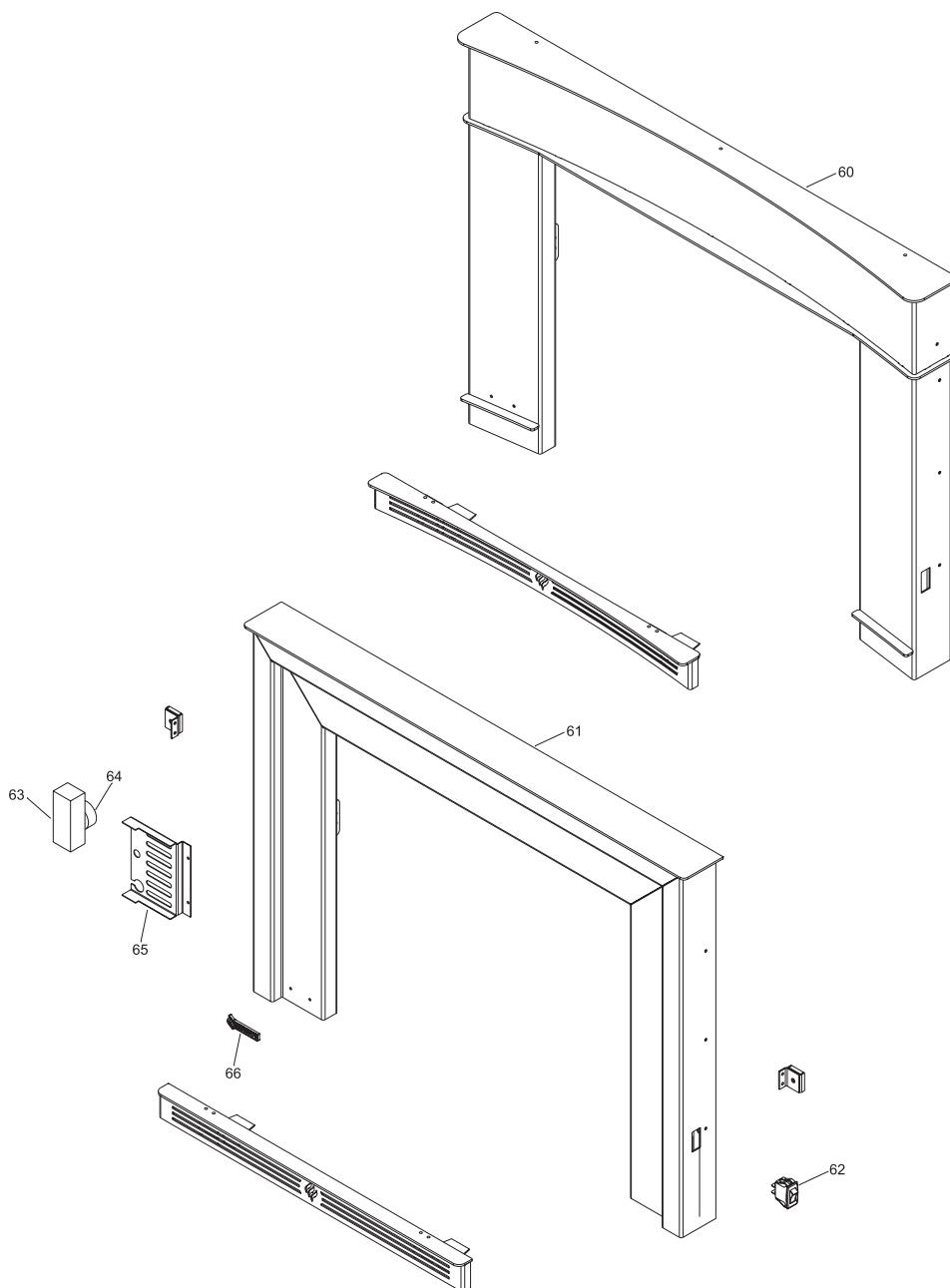
Part #	Description
910-073	Battery Holder - DC Sparker
910-074	DC Sparker - Switch
910-478	Valve - S.I.T. - Natural Gas / Propane
*	Valve Tray
536-106	Thermal Insulation
*	Insulation Hold Down Bracket
*	Louver Hold Down - Top
536-109	Gasket - Valve Tray
536-930	Complete Log Set
*	Bottom Log
*	Center Top Log
*	Front Log
*	Left Log
*	Right Log
*	Top Left Log
*	Rear Log
*	Top Right Log
918-667	Manual

\* Not available as a replacement part.



## FACEPLATE ASSEMBLY

Part #	Description
60) 536-918	Contemporary Faceplate
61) 536-914	Contour Faceplate
62) 910-246	Burner ON/OFF Switch
63) 910-330	Fan Speed Control 120 V
64) 904-569	Fan Speed Control Knob
65) 536-125	Fan Switch Bracket
66) 948-216	Regency® Logo

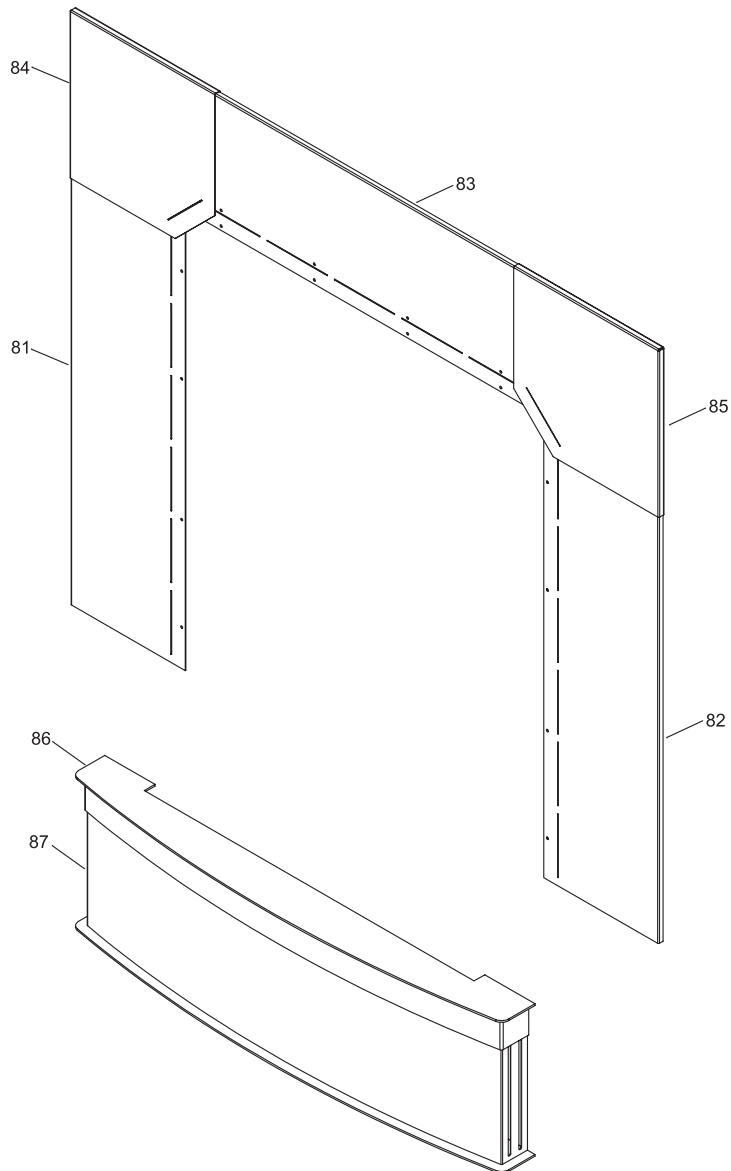


# PARTS LIST

## BACKING PLATE & HEARTH TRIM ASSEMBLY

Part #	Description
536-922	Backing Plate
81) *	Left Side
82) *	Right Side
83) *	Top
84) *	Left Corner
85) *	Right Corner
536-940	Hearth Trim
86) *	Top
87) *	Bottom

\* Not available as a replacement part.





Regency Fireplace Products are designed with reliability and simplicity in mind. In addition, our internal Quality Assurance Team carefully inspects each unit thoroughly before it leaves our facility. FPI Fireplace Products International Ltd. is pleased to extend this limited lifetime warranty to the original purchaser of a Excalibur Product. This warranty is not transferable.

**The Warranty:** Limited Lifetime

The combustion chamber, heat exchanger, burner tubes/pans, logs, brick panels and gold plating (against defective manufacture only) are covered under the Limited Lifetime Warranty for five (5) years for parts and subsidized labour\* and parts only thereafter.

Glass is covered for lifetime against thermal breakage only, parts and subsidized labour\* for five (5) years and parts only thereafter from date of purchase.

External casting, surrounds and grills are covered against cracks and warps resulting from manufacturer defects, parts and subsidized labour\* for three (3) years from the date of purchase and parts only thereafter.

Special Finishes - One year on brushed nickel and antique copper full screens and doors. You can expect some changes in color as the product "ages" with constant heating and cooling. FPI warrants the product for any manufacturing defects on the original product. However, the manufacturers warranty does not cover changing colors and marks, ie. finger prints, etc applied after the purchase of the product. Damage from the use of abrasive cleaners is not covered by warranty.

Electrical and mechanical components such as blowers, switches, wiring, thermodiscs, FPI remote controls, spill switches, thermopiles, thermocouples, pilot assembly components, and gas valves are covered for two years parts and one year subsidized labour\* from the date of purchase. Blowers and valves replaced under warranty are considered repairs and continue as if new with appliance. ie. twelve (12) months from original purchase date of appliance with a minimum of three (3) months coverage from date of replacement.

FPI venting components are covered parts and subsidized labour\* for three (3) years from date of purchase.

Simpson Dura-Vent venting components (Direct Vent units) are covered by Simpson Dura-Vent Inc. warranty.

Repair/replacement parts purchased by the consumer from FPI after the original coverage has expired on the unit will carry a 90 day warranty, valid with a receipt only. Any item shown to be defective will be repaired or replaced at our discretion. No labor coverage is included with these parts.

**Conditions:**

Any part or parts of this unit which in our judgement show evidence of such defects will be repaired or replaced at FPI's option, through an accredited distributor or agent provided that the defective part be returned to the distributor or agent Transportation Prepaid, if requested.

Porcelain/Enamel - Absolute perfection is either guaranteed nor commercially possible. Any chips must be reported and inspected by an authorized dealer within three days of installation. Reported damage after this time will be subject to rejection.

It is the general practice of FPI to charge for larger, higher priced replacement parts and issue credit once the replaced component has been returned to FPI and evaluated for manufacturer defect.

The authorized selling dealer is responsible for all in-field service work carried out on your Regency product. FPI will not be liable for results or costs of workmanship from unauthorized service persons or dealers.

At all times FPI reserves the right to inspect product in the field which is claimed to be defective.

All claims must be submitted to FPI by authorized selling dealers. It is essential that all submitted claims provide all of the necessary information including customer name, purchase date, serial #, type of unit, problem, and part or parts requested, without this information the warranty will be invalid.

**Exclusions:**

This limited Lifetime Warranty does not extend to or include paint, door or glass gasketing or trim.

At no time will FPI be liable for any consequential damages which exceed the purchase price of the unit. FPI has no obligation to enhance or modify any unit once manufactured. ie. as products evolve, field modifications or upgrades will not be performed.

FPI will not be liable for travel costs for service work.

Installation and environmental problems are not the responsibility of the manufacturer and therefore are not covered under the terms of this warranty policy.

Embers, rockwool, gaskets, door handles and paint are not covered under the terms of this warranty policy.

Any unit which shows signs of neglect or misuse is not covered under the terms of this warranty policy.

The warranty will not extend to any part which has been tampered with or altered in any way, or in our judgment has been subject to misuse, improper installation, negligence or accident, spillage or downdrafts caused by environmental or geographical conditions, inadequate ventilation, excessive offsets, negative air pressure caused by mechanical systems such as furnaces, fans, clothes dryer, etc.

Freight damage to stoves and replacement parts is not covered by warranty and is subject to a claim against the freight carrier by the dealer.

FPI will not be liable for acts of God, or acts of terrorism, which cause malfunction of the appliance.

Performance problems due to operator error will not be covered by this warranty policy.

Products made or provided by other manufacturers and used in conjunction with the operation of this appliance without prior authorization from FPI, may nullify your warranty on this product.

Any alteration to the unit which causes sooting or carboning that results in damage to the interior / exterior facia is not the responsibility of FPI.

\* Subsidy according to job scale as predetermined by FPI.

**FPI fireplaces are designed with reliability and simplicity in mind. In addition, our internal Quality Assurance Team carefully inspects each unit thoroughly before it leaves our door.**

**FPI Fireplace Products International Ltd. is pleased to extend this Limited Lifetime Warranty to the original purchaser of a FPI Product.**

**See the inside back cover for details.**

**Register your Regency® online at  
<http://www.regency-fire.com>**

*Installer: Please complete the following information*

**Dealer Name & Address:** \_\_\_\_\_  
\_\_\_\_\_

**Installer:** \_\_\_\_\_

**Phone #:** \_\_\_\_\_

**Date Installed:** \_\_\_\_\_

**Serial No.:** \_\_\_\_\_



## Free Manuals Download Website

<http://myh66.com>

<http://usermanuals.us>

<http://www.somanuals.com>

<http://www.4manuals.cc>

<http://www.manual-lib.com>

<http://www.404manual.com>

<http://www.luxmanual.com>

<http://aubethermostatmanual.com>

Golf course search by state

<http://golfingnear.com>

Email search by domain

<http://emailbydomain.com>

Auto manuals search

<http://auto.somanuals.com>

TV manuals search

<http://tv.somanuals.com>